



US00D979341S

(12) **United States Design Patent**  
**Zheng**

(10) **Patent No.:** **US D979,341 S**

(45) **Date of Patent:** **\*\* Feb. 28, 2023**

(54) **TRAY**  
(71) Applicant: **FUZHOU INFINITY HOME CO., LTD**, Fuzhou (CN)  
(72) Inventor: **Huihai Zheng**, Fuzhou (CN)  
(73) Assignee: **FUZHOU INFINITY HOME CO., LTD**, Fuzhou (CN)

(\*\*) Term: **15 Years**

(21) Appl. No.: **29/774,819**

(22) Filed: **Mar. 19, 2021**

(30) **Foreign Application Priority Data**

Feb. 5, 2021 (CN) ..... 202130086421.1

(51) **LOC (14) Cl.** ..... **07-01**

(52) **U.S. Cl.**  
USPC ..... **D7/554.3**

(58) **Field of Classification Search**  
USPC ..... D7/550.1, 553.2, 554.3, 601-602,  
D7/609-610, 612, 629; D3/304, 307,  
D3/308, 314, 315; D6/663, 667, 672,  
D6/675

CPC ..... A47G 19/02; A47G 19/30; A47G 23/06;  
A47G 23/0608; B65D 1/34; B65D 1/00;  
B65D 5/00; B65D 9/00

See application file for complete search history.

(56) **References Cited**

**U.S. PATENT DOCUMENTS**

D144,859 S \* 5/1946 McKenzie ..... D6/667  
2,614,407 A \* 10/1952 Mercer ..... A47G 23/06  
211/74

D219,676 S \* 1/1971 Goings ..... D7/541  
3,850,333 A \* 11/1974 Reichert ..... B65D 1/36  
D7/541  
D246,403 S \* 11/1977 Tempchin ..... D6/525  
D300,101 S \* 3/1989 Ritman ..... D7/541  
D318,182 S \* 7/1991 MacGregor ..... D6/333  
D571,617 S \* 6/2008 Di Serio ..... D7/629  
D690,164 S \* 9/2013 Lock ..... D7/553.2  
D746,637 S \* 1/2016 Mairinger ..... D7/553.2  
D796,908 S \* 9/2017 Dennis ..... D7/553.2  
D840,249 S \* 2/2019 Payne ..... D9/760  
D918,625 S \* 5/2021 Xu ..... D6/667  
D964,105 S \* 9/2022 Bornfleth ..... D7/552.1  
D964,773 S \* 9/2022 Lin ..... D6/525

\* cited by examiner

*Primary Examiner* — Kelley A Donnelly

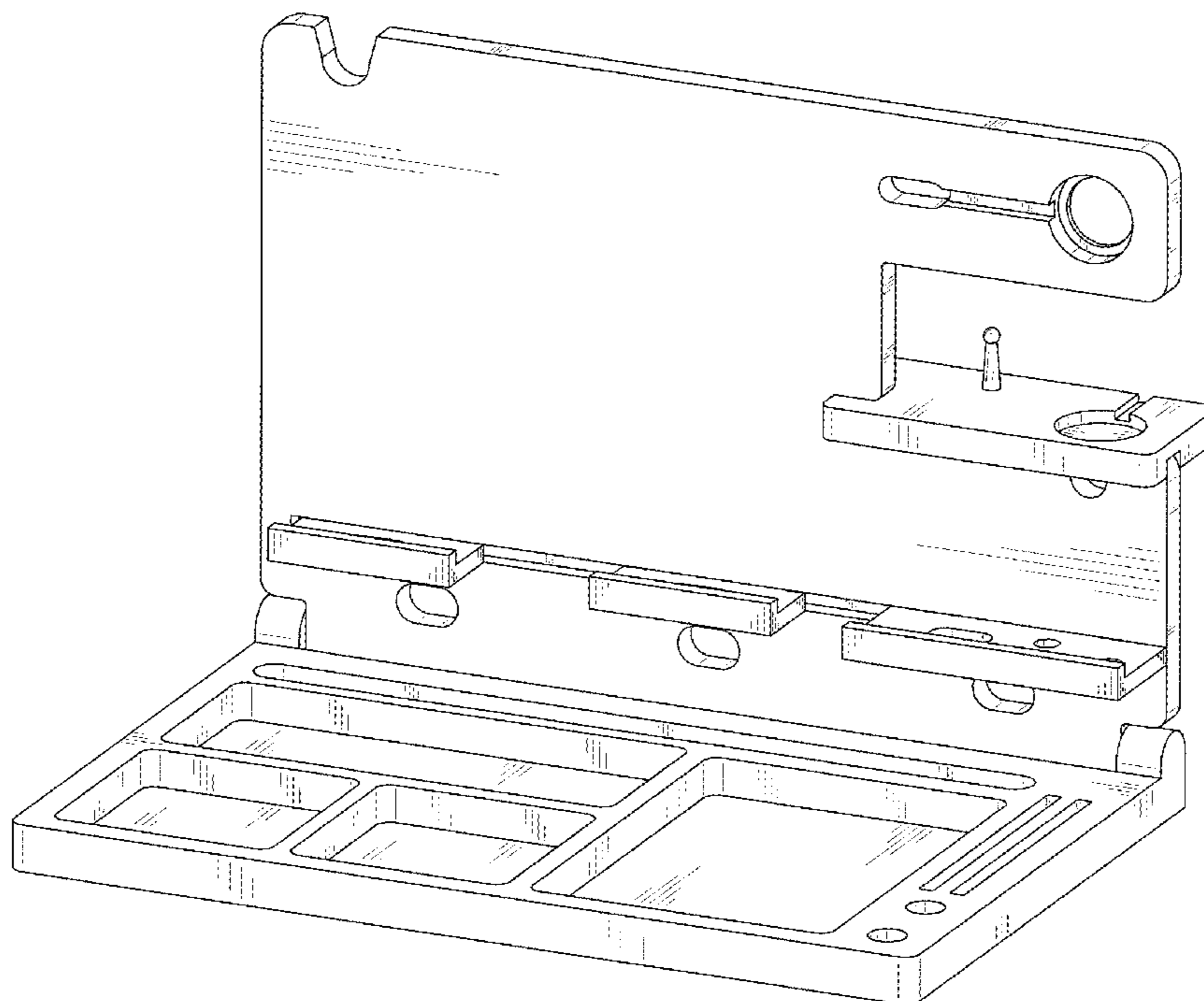
(57) **CLAIM**

The ornamental design for a tray, as shown and described.

**DESCRIPTION**

FIG. 1 is a perspective view of a tray showing my new design;  
FIG. 2 is another perspective view thereof;  
FIG. 3 is another perspective view thereof;  
FIG. 4 is a front elevational view thereof;  
FIG. 5 is a rear elevational view thereof;  
FIG. 6 is a left side elevational view thereof;  
FIG. 7 is a right side elevational view thereof;  
FIG. 8 is a top plan view thereof; and,  
FIG. 9 is a bottom plan view thereof.

**1 Claim, 9 Drawing Sheets**



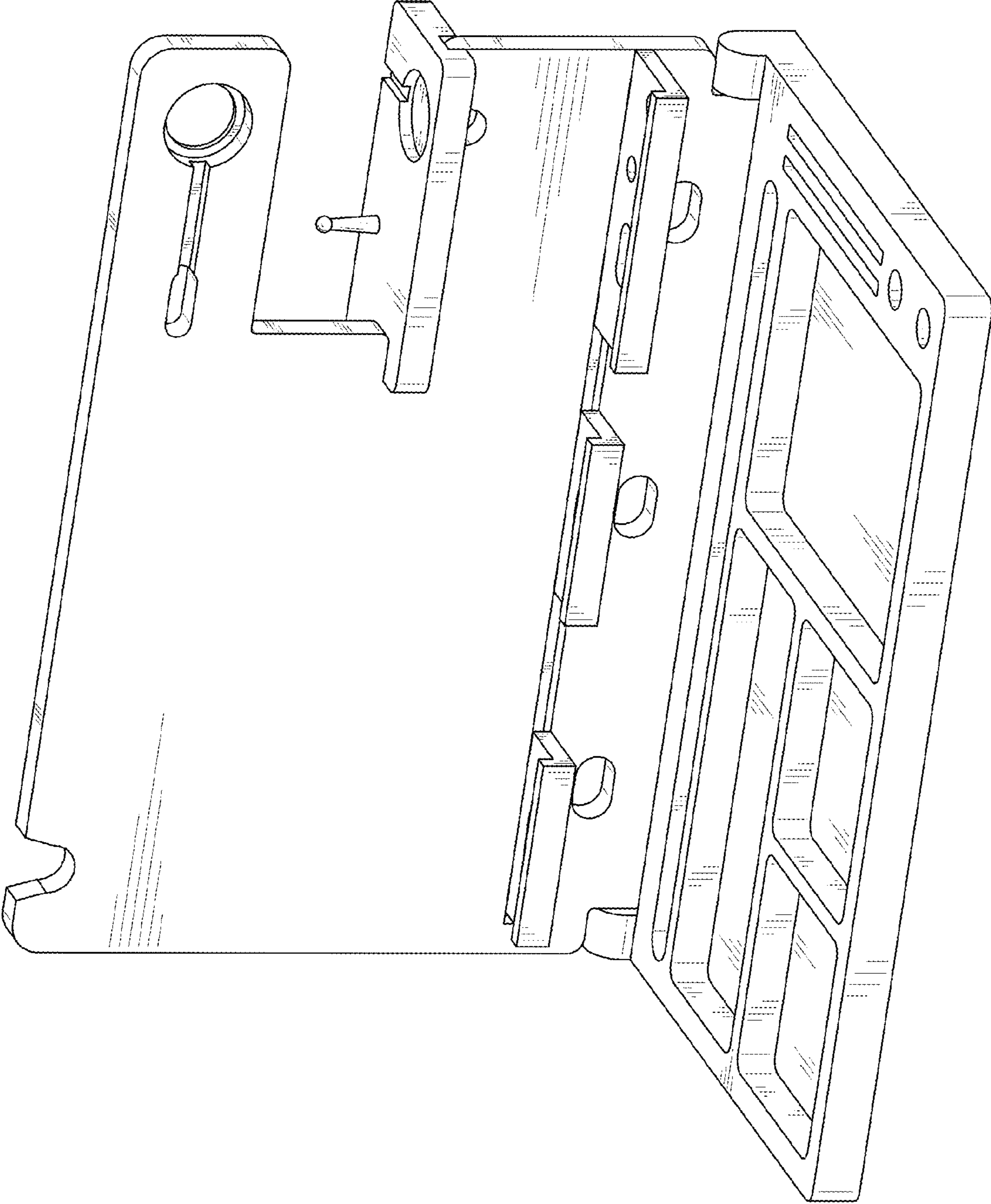


FIG. 1

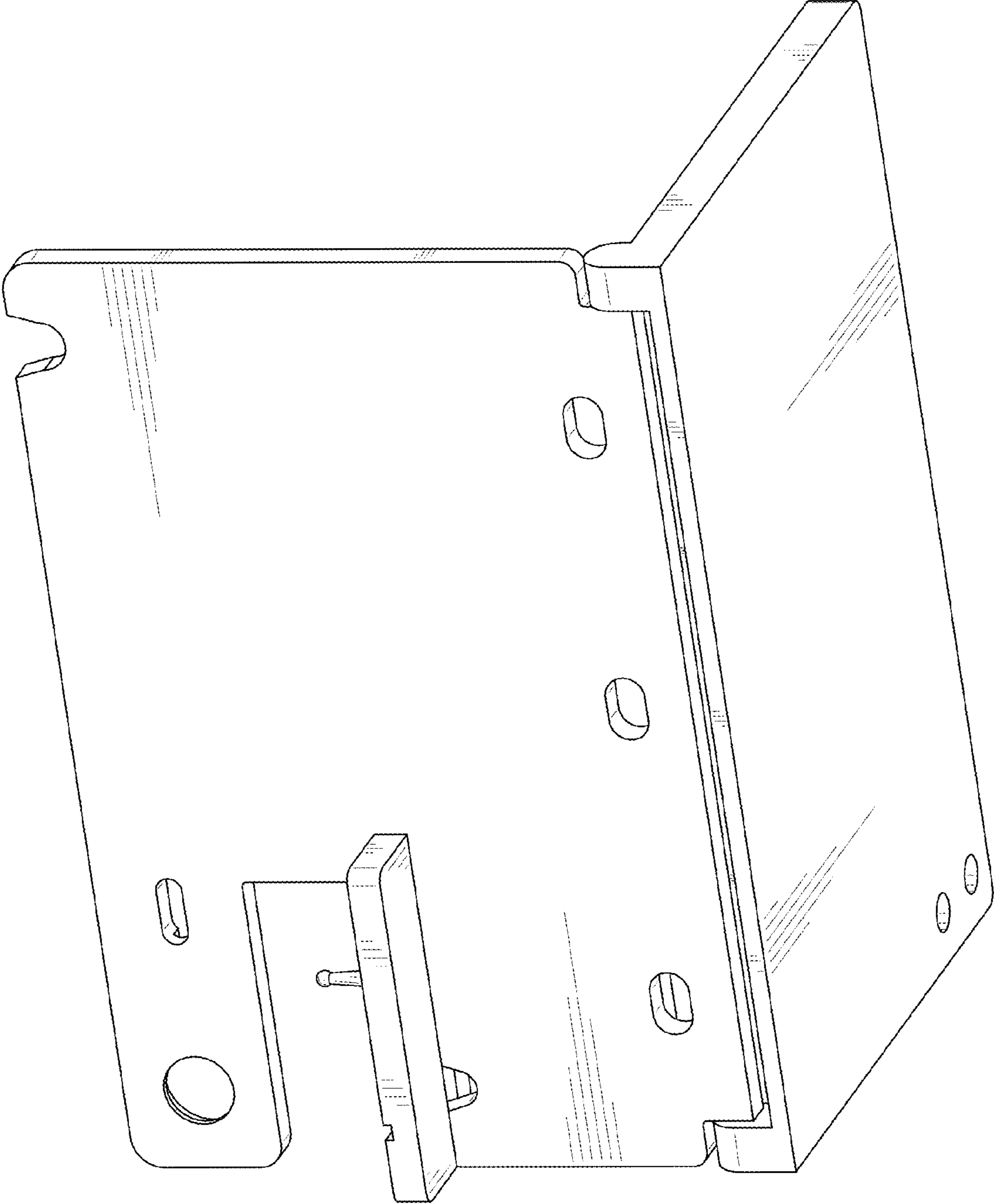


FIG. 2

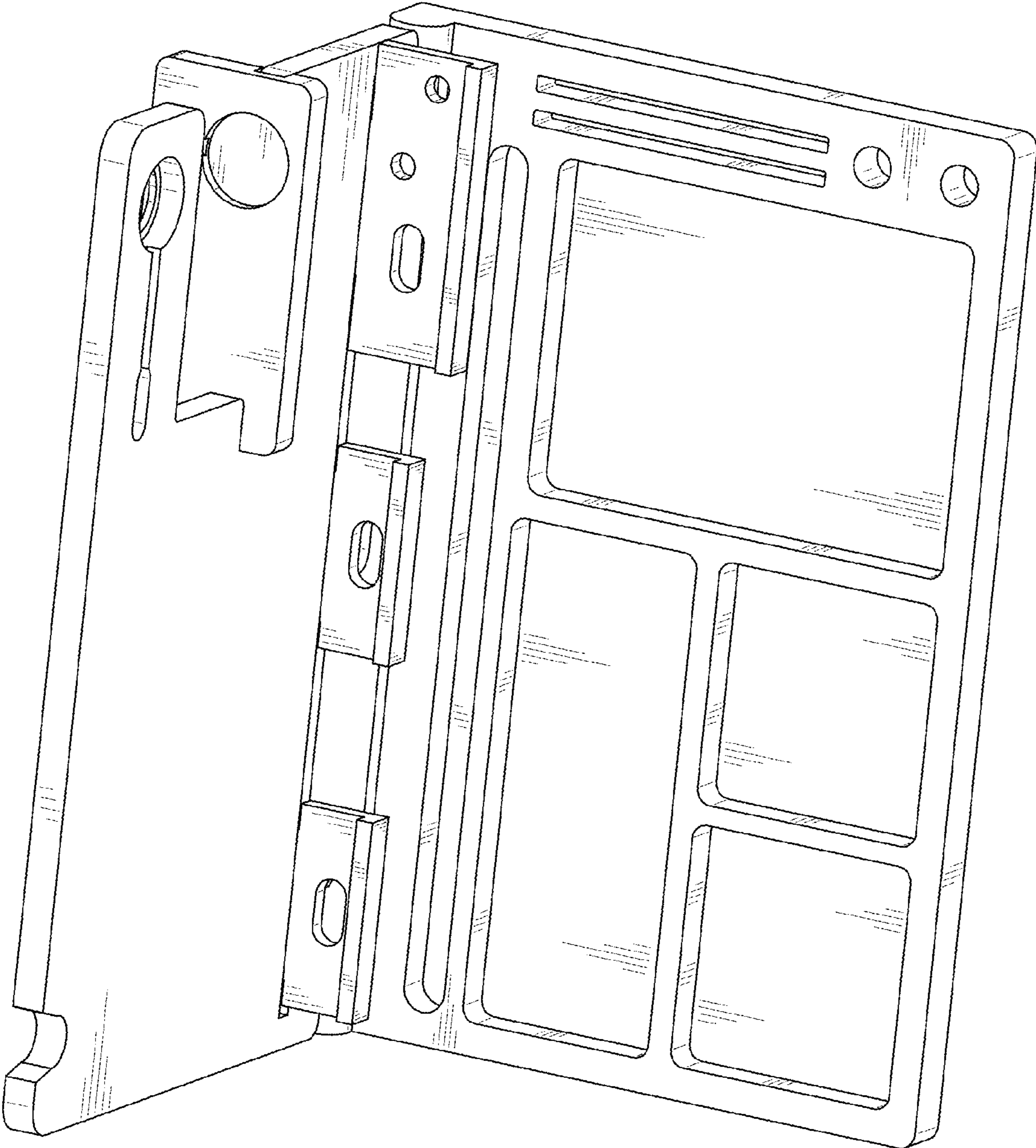


FIG. 3

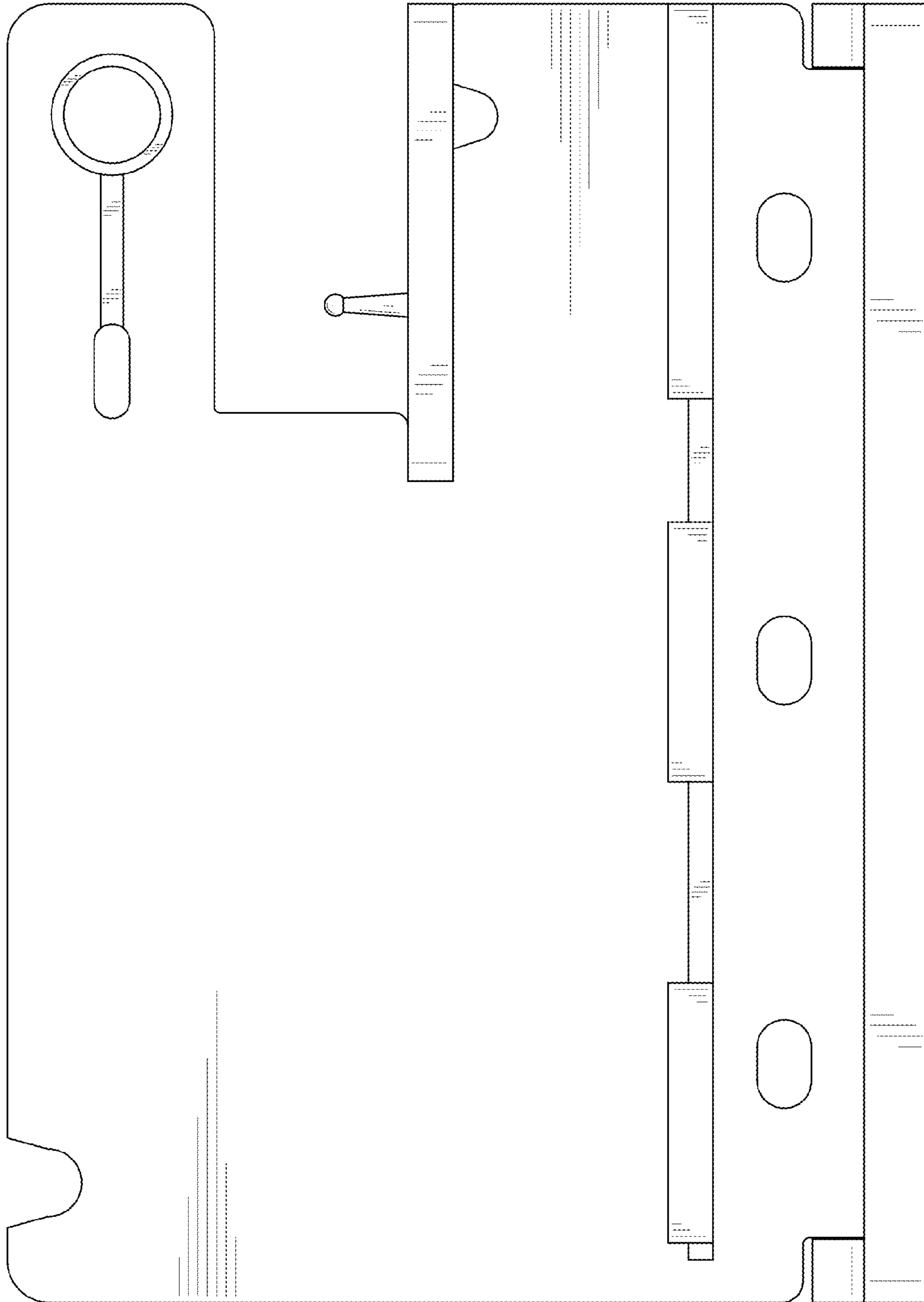


FIG. 4

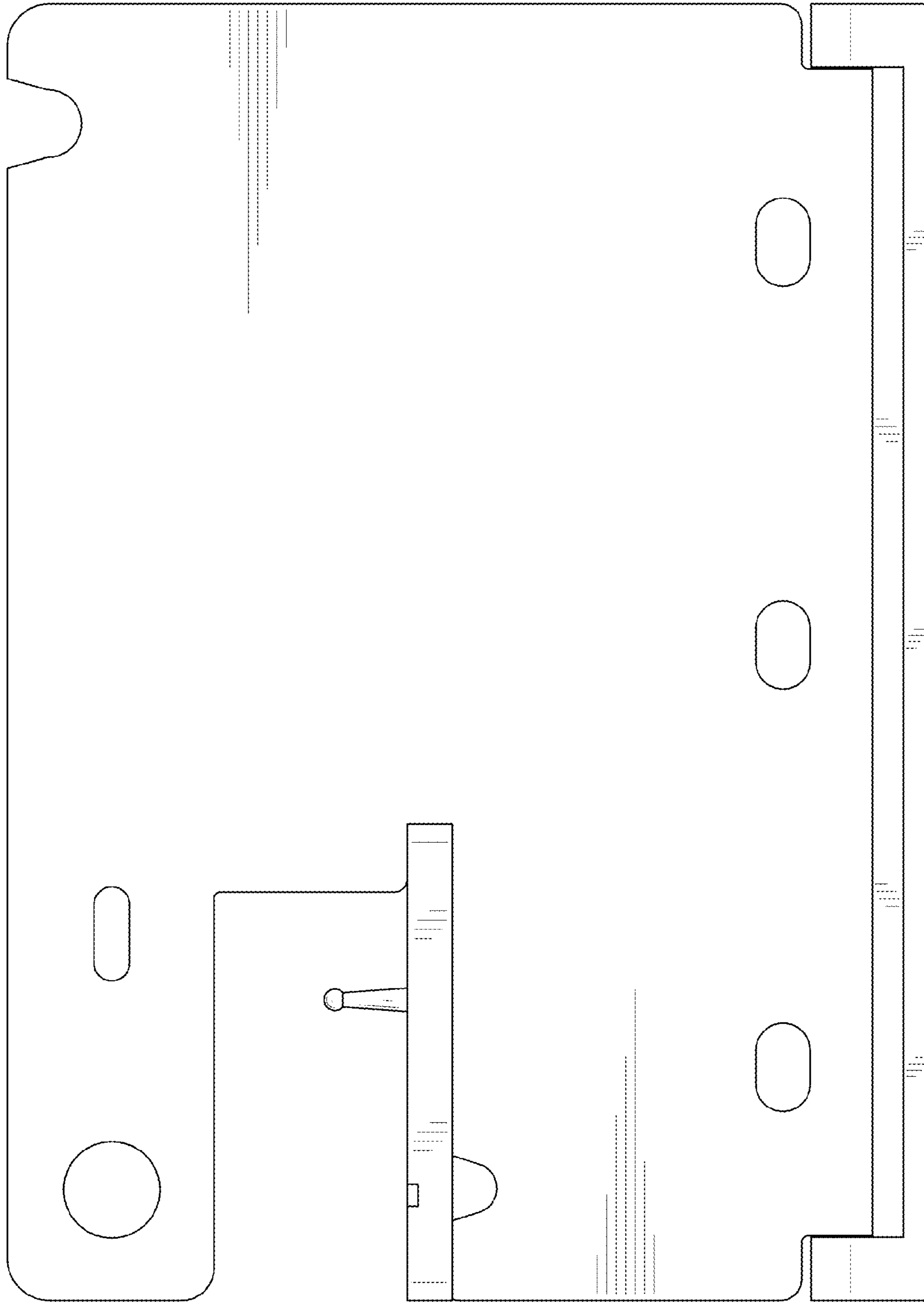


FIG. 5

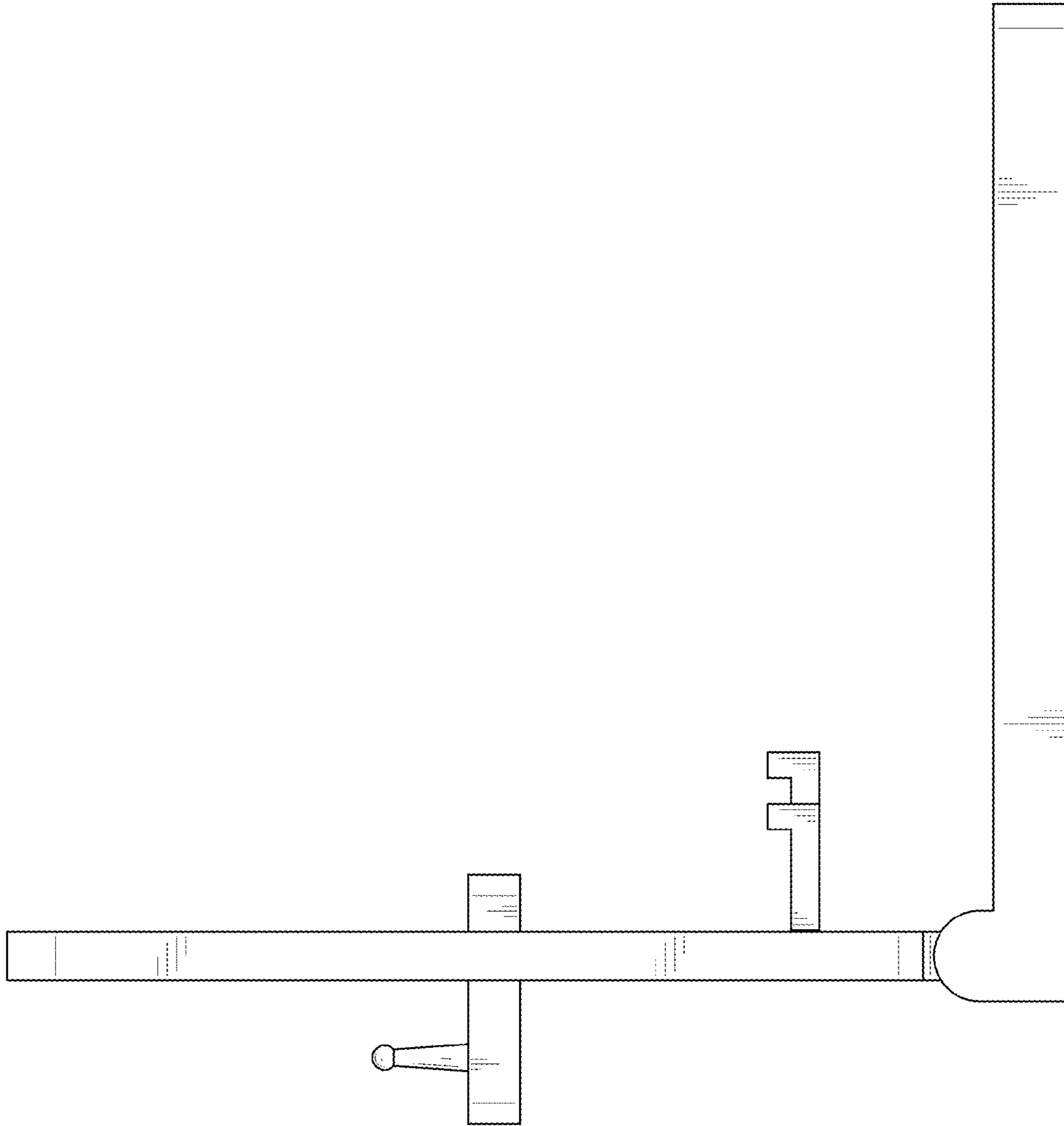


FIG. 6

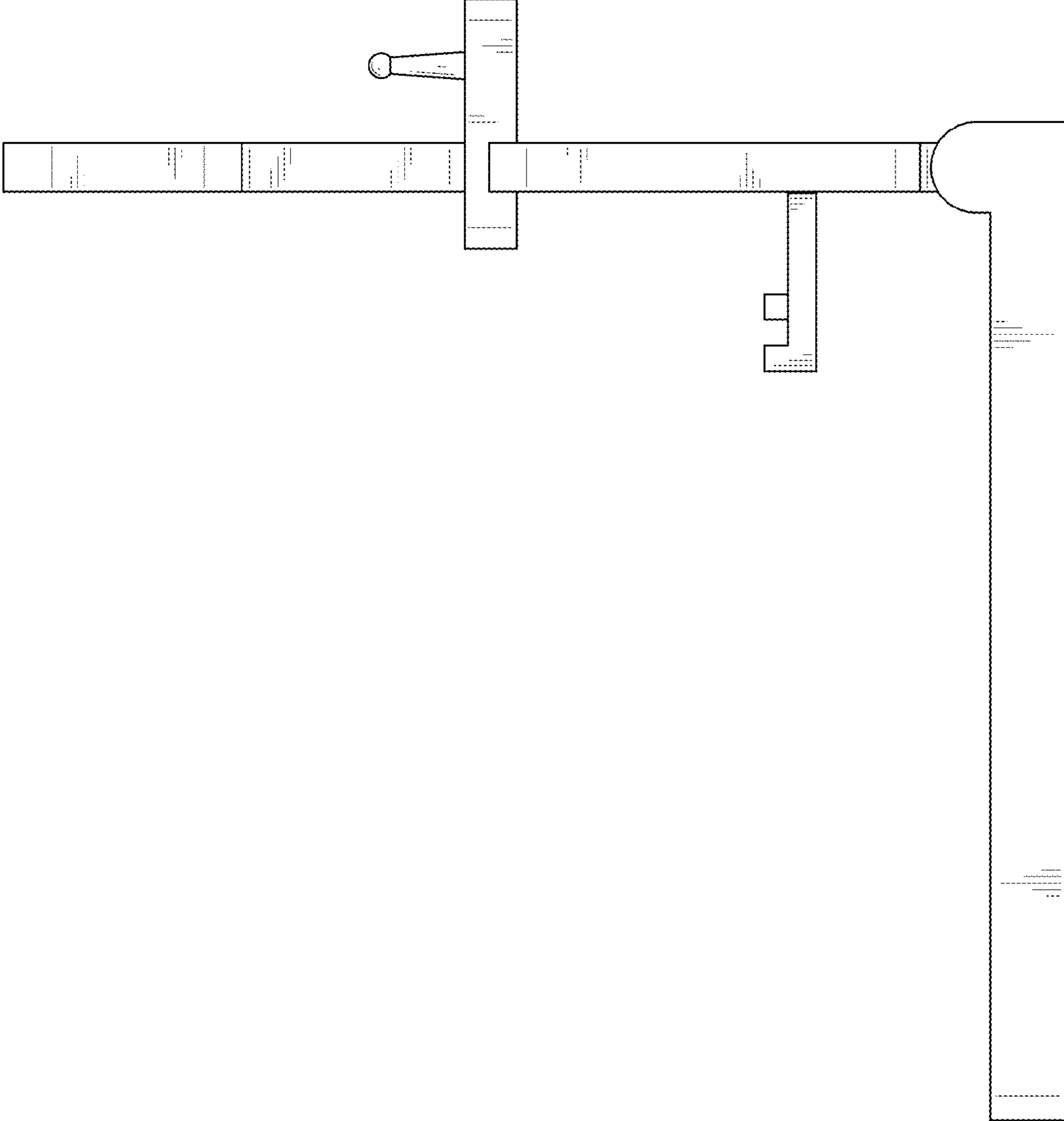


FIG. 7



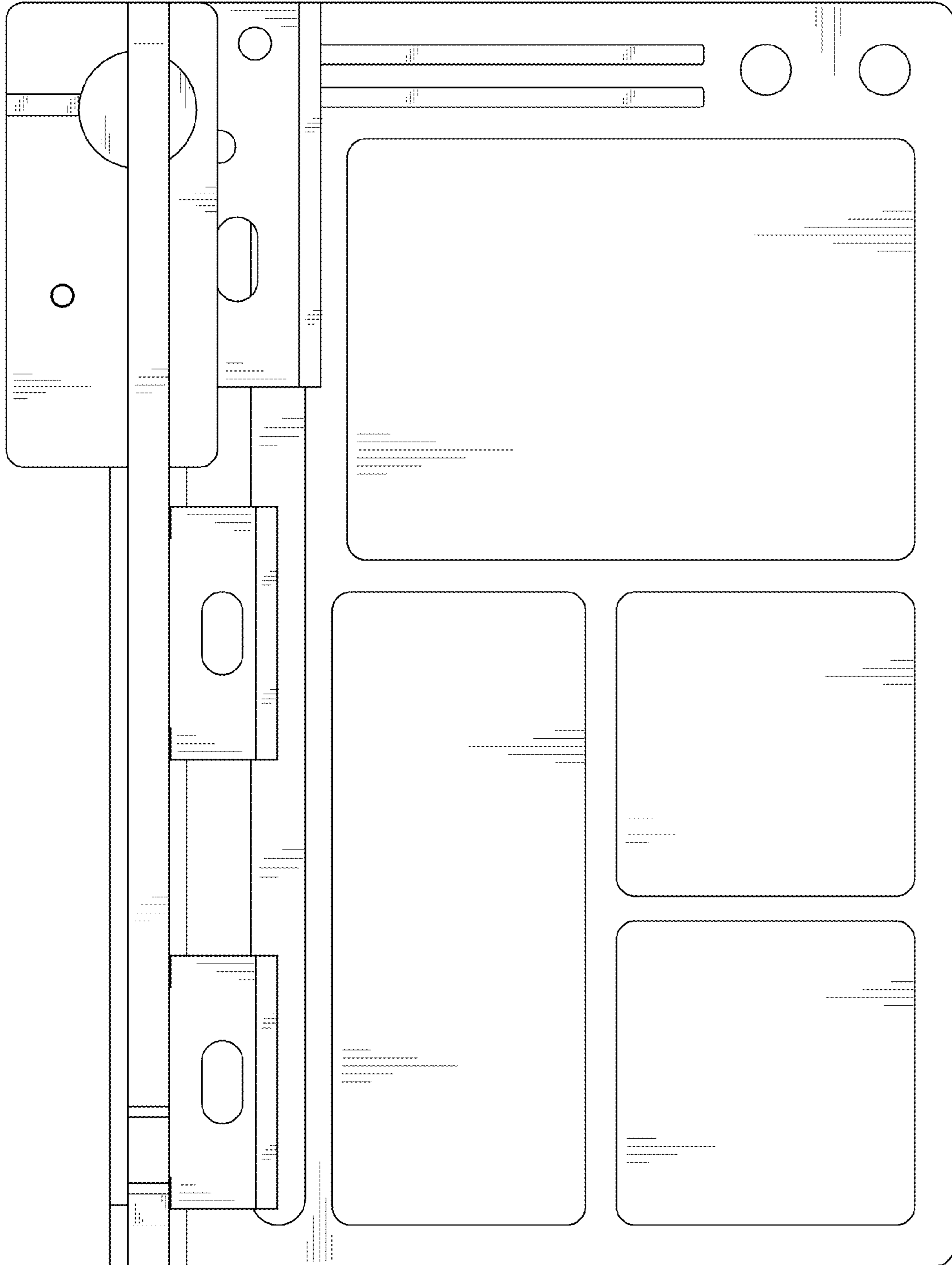


FIG. 8

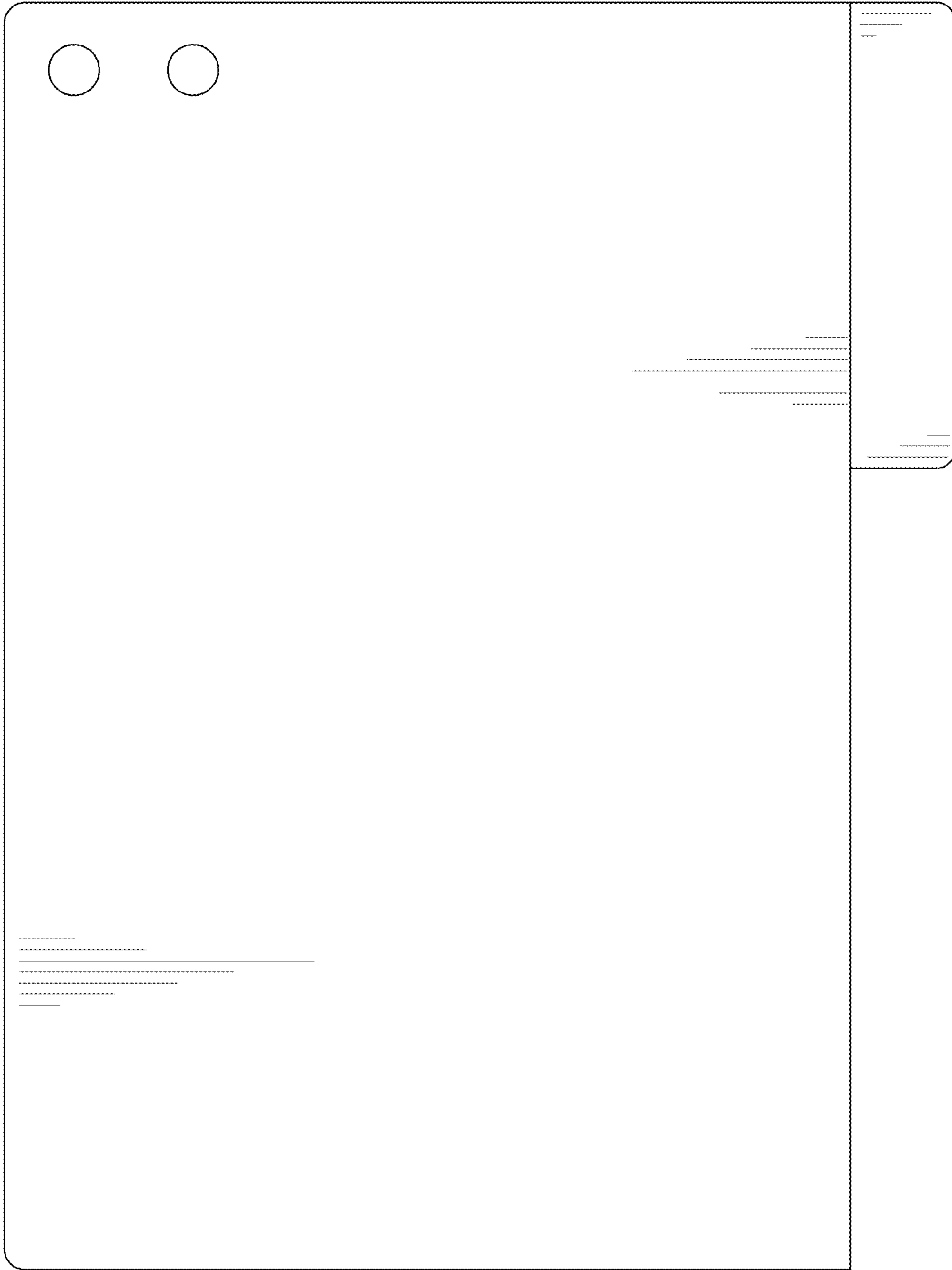


FIG. 9