

US00D979339S

(12) **United States Design Patent**  
**Simmons**

(10) **Patent No.:** **US D979,339 S**  
(45) **Date of Patent:** **\*\* Feb. 28, 2023**

- (54) **BEVERAGE CONTAINER**
- (71) Applicant: **Ignite USA, LLC**, Chicago, IL (US)
- (72) Inventor: **Sean P. Simmons**, Kalamazoo, MI (US)
- (73) Assignee: **The Coleman Company, Inc.**, Wichita, KS (US)
- (\*\*) Term: **15 Years**
- (21) Appl. No.: **29/748,581**
- (22) Filed: **Aug. 31, 2020**
- (51) **LOC (14) Cl.** ..... **07-01**
- (52) **U.S. Cl.**  
USPC ..... **D7/536; D7/533**
- (58) **Field of Classification Search**  
USPC ..... D7/507, 509, 510, 511, 533, 536, 392.1,  
D7/396.1, 396.2, 608, 603, 316, 619.1,  
D7/598, 600, 900, 361, 315, 319, 394,  
D7/334, 415, 399; D9/443, 449, 561,  
D9/545; D3/202; D29/125, 126  
CPC ..... A47G 19/2205; A47G 23/16; A47G  
19/2272; A47J 41/00; A47J 41/02; A47J  
41/0088; A47J 41/0077; Y10S 220/903;  
B65D 21/02; B65D 43/00; B65D 41/00  
See application file for complete search history.

- (56) **References Cited**  
U.S. PATENT DOCUMENTS  
2,587,237 A \* 2/1952 Sinaiko ..... A47G 19/2261  
47/41.01  
2,905,500 A \* 9/1959 Thombs ..... A47G 23/0266  
220/759  
D202,643 S \* 10/1965 Hoyt, Jr. .... D7/536  
3,317,232 A \* 5/1967 McFaul ..... B65D 25/2829  
D7/394  
D222,628 S \* 11/1971 Beckman ..... D7/533

- 3,715,895 A \* 2/1973 Devlin ..... A23G 9/08  
62/457.3  
D226,962 S \* 5/1973 Krock ..... D7/536  
3,791,159 A \* 2/1974 Devlin ..... A47G 19/2205  
426/524
- (Continued)

**FOREIGN PATENT DOCUMENTS**

- CN 303066032 S 1/2015
  - CN 303528493 \* 12/2015
- (Continued)

**OTHER PUBLICATIONS**

OXO [online] URL: <https://www.amazon.in/OXO-Cordless-Electric-Kettle-Stainless/dp/B00YEYKRX8> (site visited: Apr. 15, 2022) (Year: 2016).\*

(Continued)

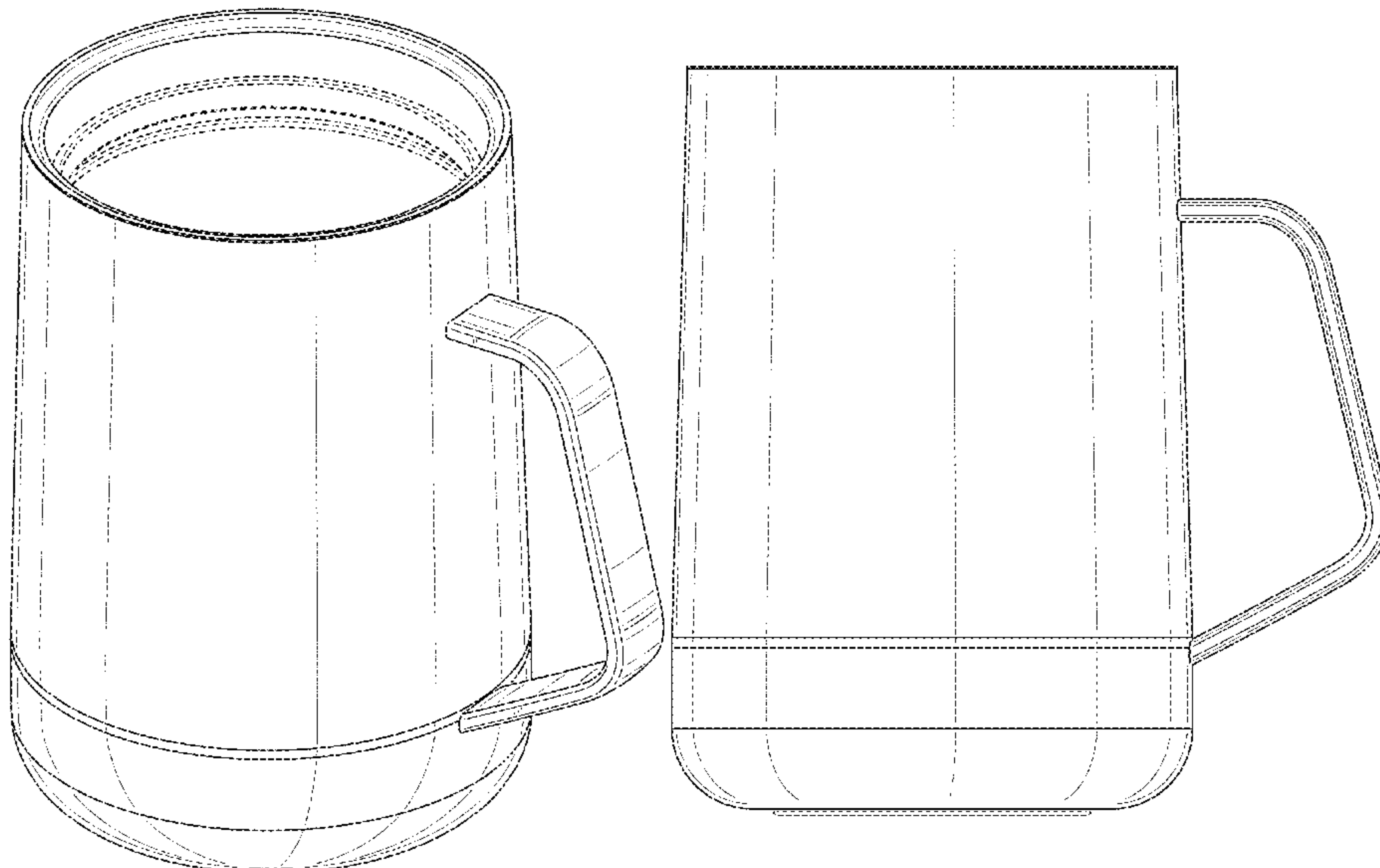
*Primary Examiner* — Jae Liang  
*Assistant Examiner* — Tia Ruth-Renee Polidori

(57) **CLAIM**  
The ornamental design for a beverage container, as shown and described.

**DESCRIPTION**

FIG. 1 is a front perspective view of my new design for a beverage container;  
FIG. 2 is a front elevation view thereof;  
FIG. 3 is a rear elevation view thereof;  
FIG. 4 is left side elevation view thereof;  
FIG. 5 is a right side elevation view thereof;  
FIG. 6 is a top plan view thereof;  
FIG. 7 is a bottom plan view thereof;  
FIG. 8 is another front perspective view thereof shown with a lid for clarity of disclosure; and,  
FIG. 9 is another top plan view thereof shown with a lid for clarity of disclosure.  
The broken lines depict portions of the beverage container that form no part of the claimed design.

**1 Claim, 9 Drawing Sheets**



(56)

References Cited

U.S. PATENT DOCUMENTS

D243,911 S \* 4/1977 Thorud ..... D7/536  
 D249,316 S \* 9/1978 Tyska ..... D7/536  
 4,305,533 A \* 12/1981 Wightman ..... A47G 23/0313  
 D290,568 S \* 6/1987 Feltman ..... D7/622  
 D346,092 S \* 4/1994 Van De Velde ..... D7/533  
 D346,525 S \* 5/1994 Littmann ..... D7/319  
 D358,071 S \* 5/1995 Gill ..... D7/605  
 D377,741 S \* 2/1997 Bennett ..... D7/622  
 D380,348 S \* 7/1997 Burns ..... D7/533  
 D394,187 S \* 5/1998 Orrico ..... D7/509  
 D418,013 S 12/1999 Fujii  
 D427,013 S \* 6/2000 Knoebel ..... D7/393  
 D462,579 S 9/2002 Janky  
 D486,997 S 2/2004 Janky  
 D488,028 S 4/2004 Janky  
 D524,107 S 7/2006 El-Saden  
 D557,075 S \* 12/2007 Lucaci ..... D7/509  
 D562,077 S \* 2/2008 Bhavnani ..... D7/533  
 D569,191 S \* 5/2008 Germany ..... D7/509  
 7,527,310 B2 \* 5/2009 Shaskey, Sr. .... B65D 23/106  
 D598,712 S 8/2009 Alviar  
 D608,140 S 1/2010 Gilbert  
 D615,817 S 5/2010 George  
 D651,855 S 1/2012 El-Saden  
 D668,095 S \* 10/2012 Green ..... D7/319  
 D713,206 S \* 9/2014 Lane ..... D7/533  
 D751,850 S \* 3/2016 Kunz ..... D7/319  
 D771,439 S \* 11/2016 Miller ..... D7/532  
 D774,828 S \* 12/2016 Miller ..... D7/532  
 D807,712 S \* 1/2018 Miller ..... D7/624.2  
 D814,243 S \* 4/2018 Pape ..... D7/396.2  
 D815,902 S \* 4/2018 Guthrie ..... D7/392.1  
 D815,904 S 4/2018 Lane  
 D822,440 S \* 7/2018 Kuh ..... D7/509  
 D827,381 S 9/2018 Boroski  
 D832,050 S \* 10/2018 Diener ..... D7/532  
 D833,796 S \* 11/2018 Bronwasser ..... D7/321  
 D837,601 S 1/2019 Silsby

D872,539 S \* 1/2020 Hewitt ..... D7/533  
 D879,069 S \* 3/2020 Chang ..... D14/207  
 D879,070 S \* 3/2020 Chang ..... D14/207  
 D882,343 S \* 4/2020 Rane ..... D7/533  
 D890,573 S \* 7/2020 Jacobsen ..... D7/510  
 D899,862 S 10/2020 Rane  
 D907,956 S \* 1/2021 Silsby ..... D7/394  
 D922,145 S \* 6/2021 Kuh ..... D34/1  
 D925,290 S \* 7/2021 Melanson ..... D7/533  
 D939,278 S \* 12/2021 Vierck ..... D7/510  
 D939,889 S \* 1/2022 Ni ..... D7/394  
 D944,600 S \* 3/2022 Pisarevsky ..... D7/608  
 D947,613 S \* 4/2022 Wahl ..... D7/511  
 11,304,549 B2 \* 4/2022 Cheng ..... A47G 19/2205  
 D957,864 S \* 7/2022 Lu ..... D7/319  
 2001/0036124 A1 \* 11/2001 Rubenstein ..... A47J 43/042  
 366/205  
 2004/0251259 A1 \* 12/2004 Copeland ..... A47G 19/2205  
 220/630  
 2020/0121103 A1 \* 4/2020 Cheng ..... A47G 19/22  
 2021/0053726 A1 \* 2/2021 Hasani ..... A47G 19/2205  
 2022/0104641 A1 \* 4/2022 Winkelmann ..... A47G 19/2222

FOREIGN PATENT DOCUMENTS

CN 305832623 \* 6/2020  
 CN 305961831 S 8/2020  
 JP D1715896 \* 5/2022  
 KR 301011113.0000 \* 6/2019

OTHER PUBLICATIONS

Ember [online] URL: <https://www.amazon.com/Ember-Temperature-Control-Smart-Battery/dp/B07Z5H4TF5> (site visited: Apr. 15, 2022) (Year: 2019).  
 Contigo [online] URL: <https://www.amazon.com/Contigo-2144614-Mug-Licorice-Salt/dp/B08RSHNRTY> (site visited: Apr. 15, 2022) (Year: 2021).  
 Corkcicle® coffee mug available online at: <http://www.corkcicle.com>.

\* cited by examiner

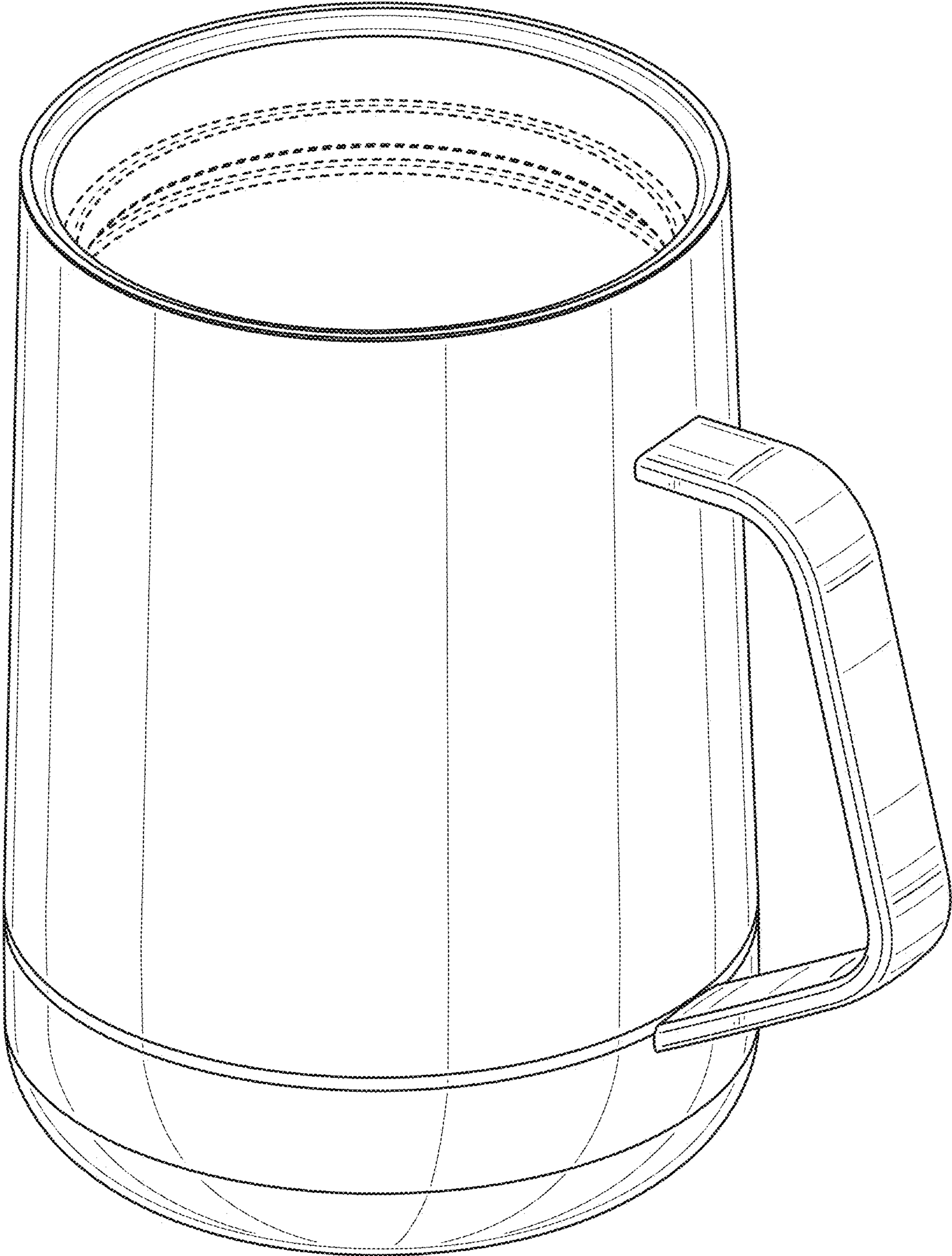


FIG. 1



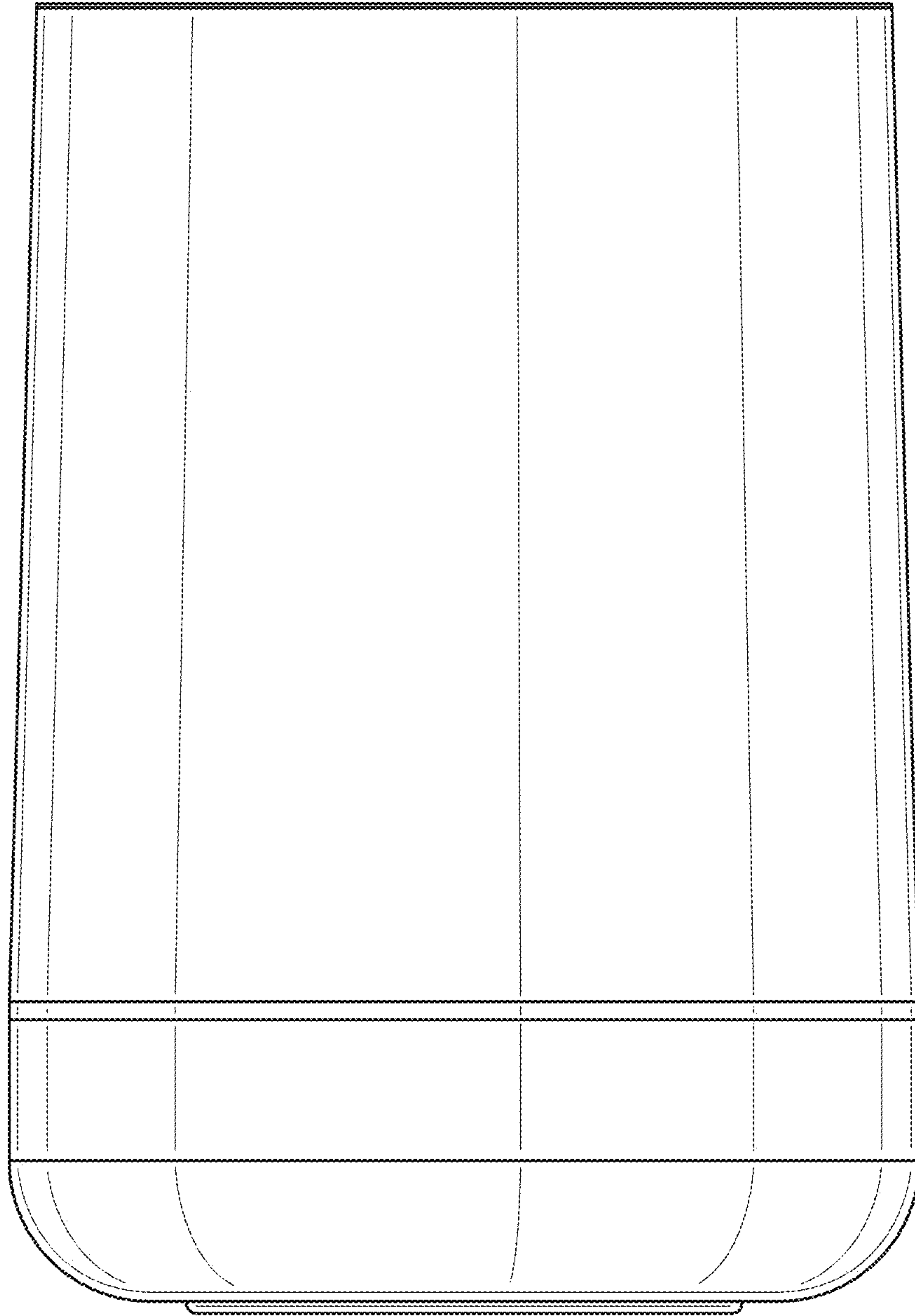


FIG. 2

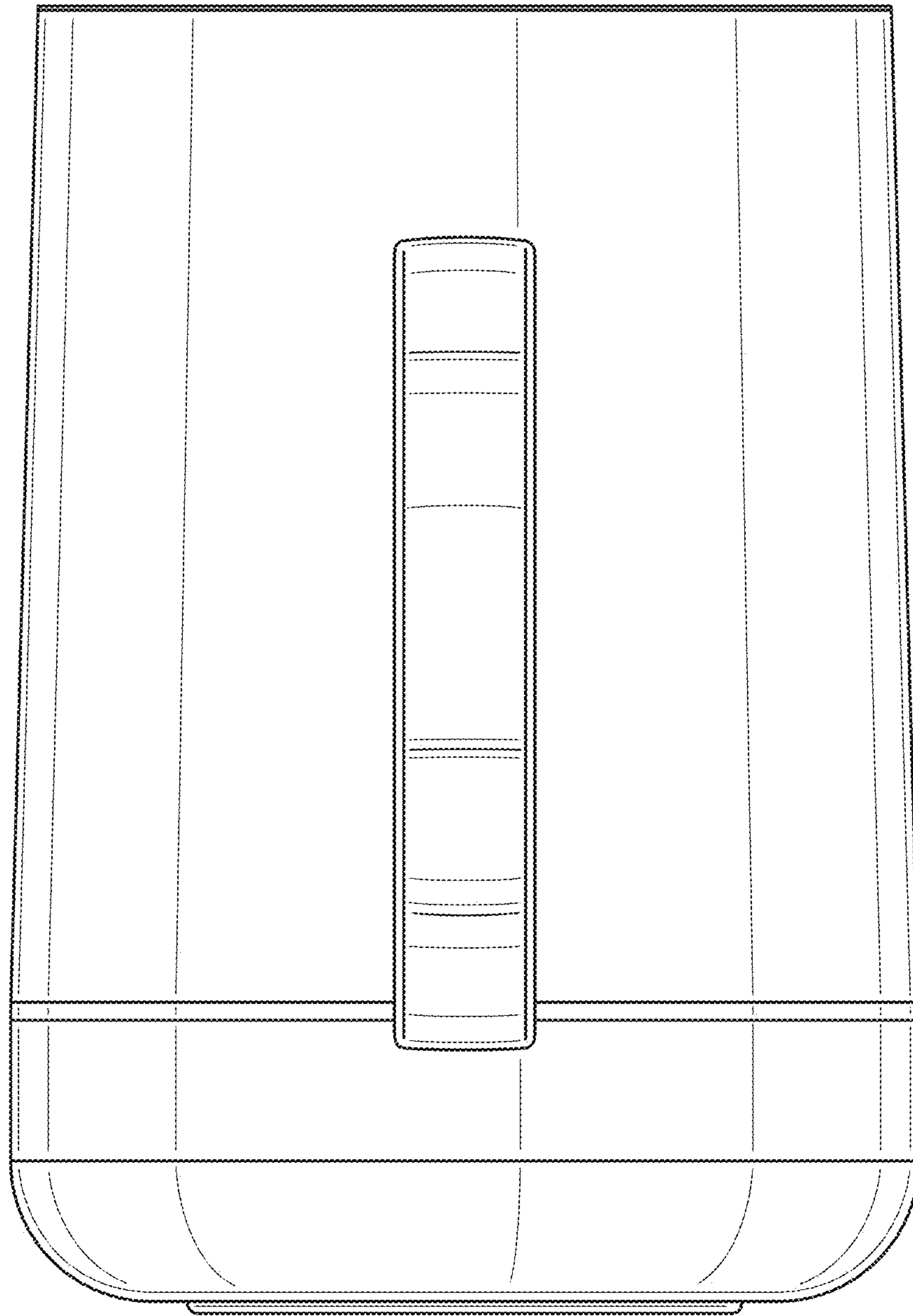


FIG. 3

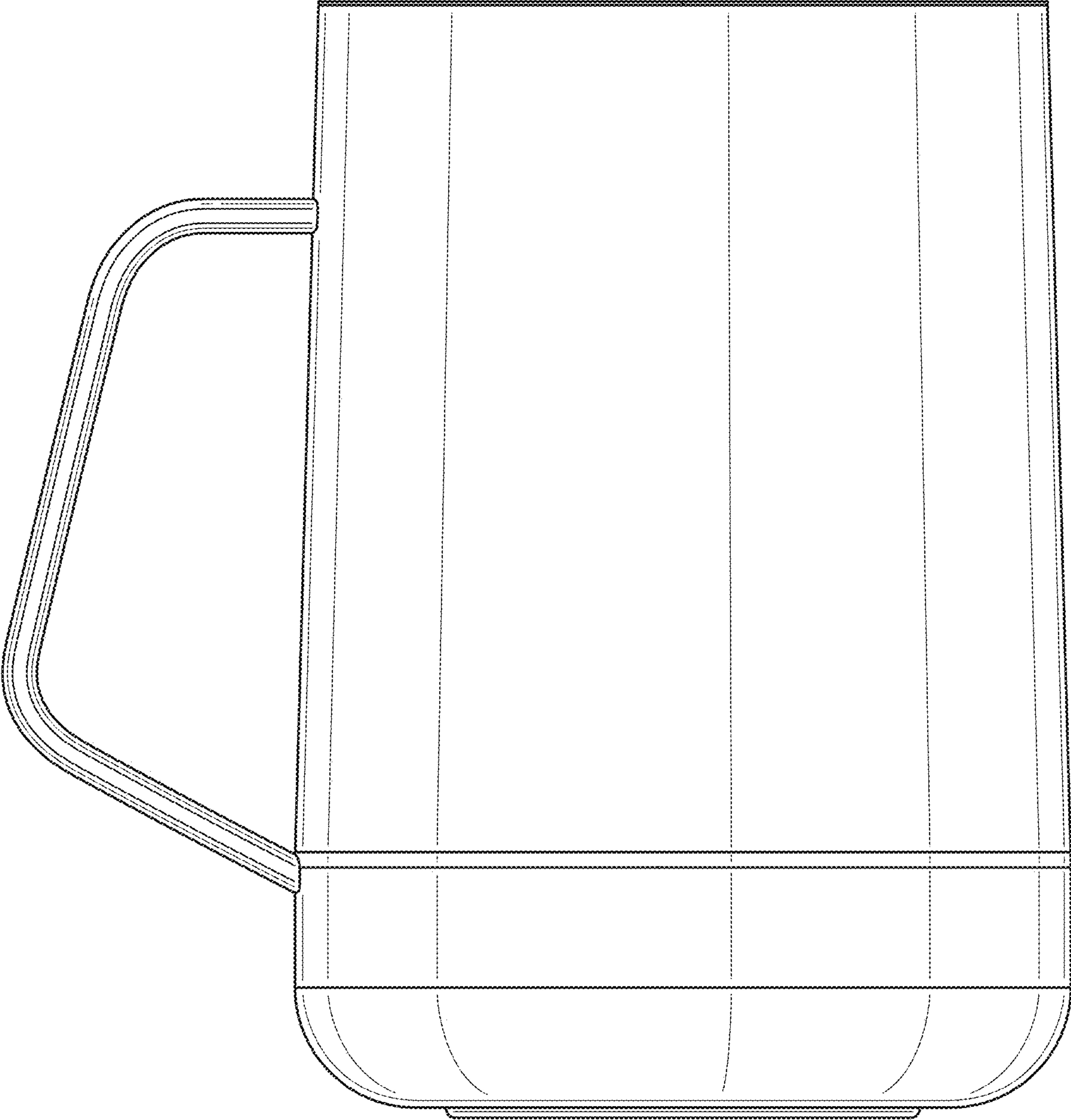


FIG. 4

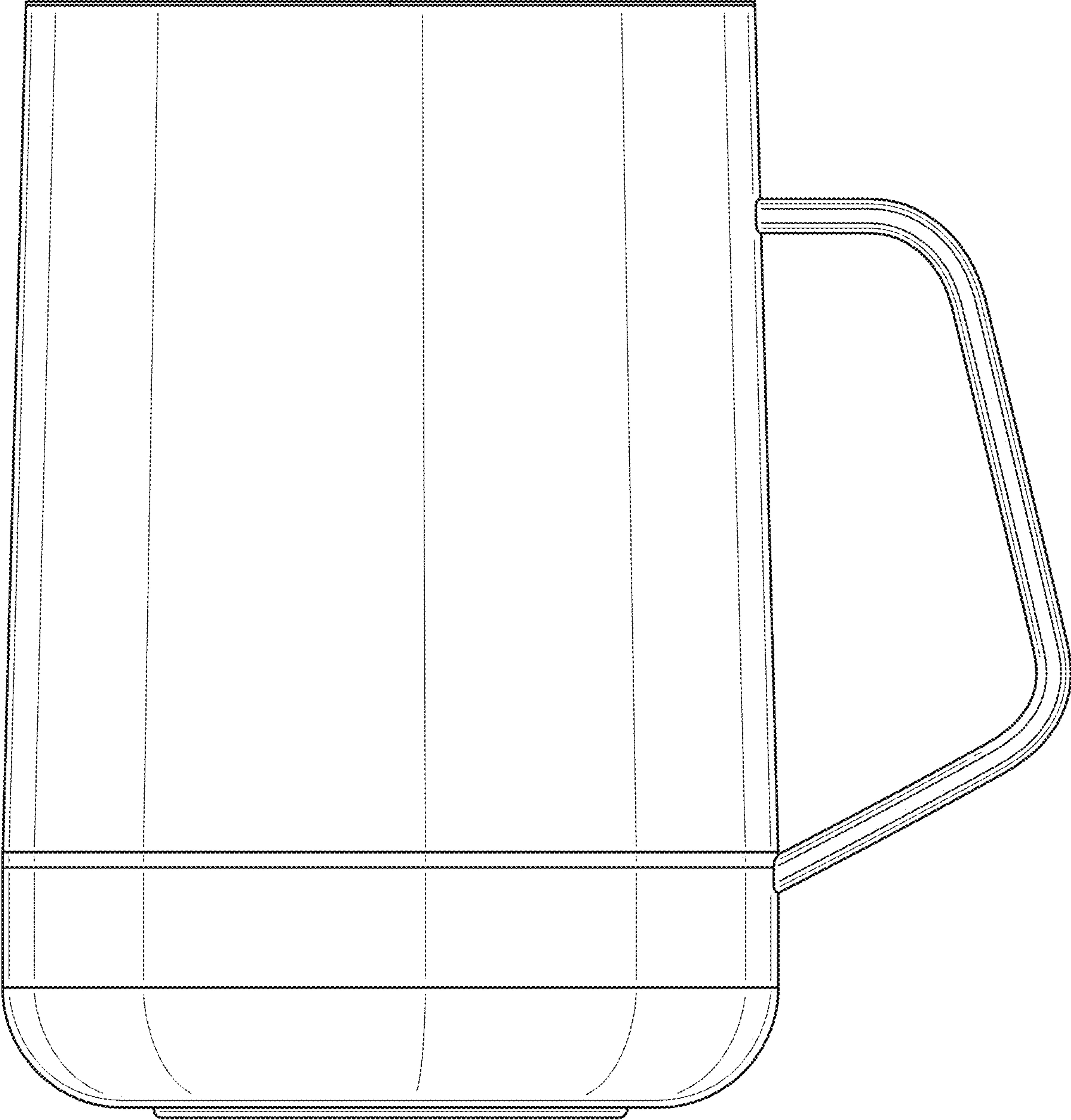


FIG. 5

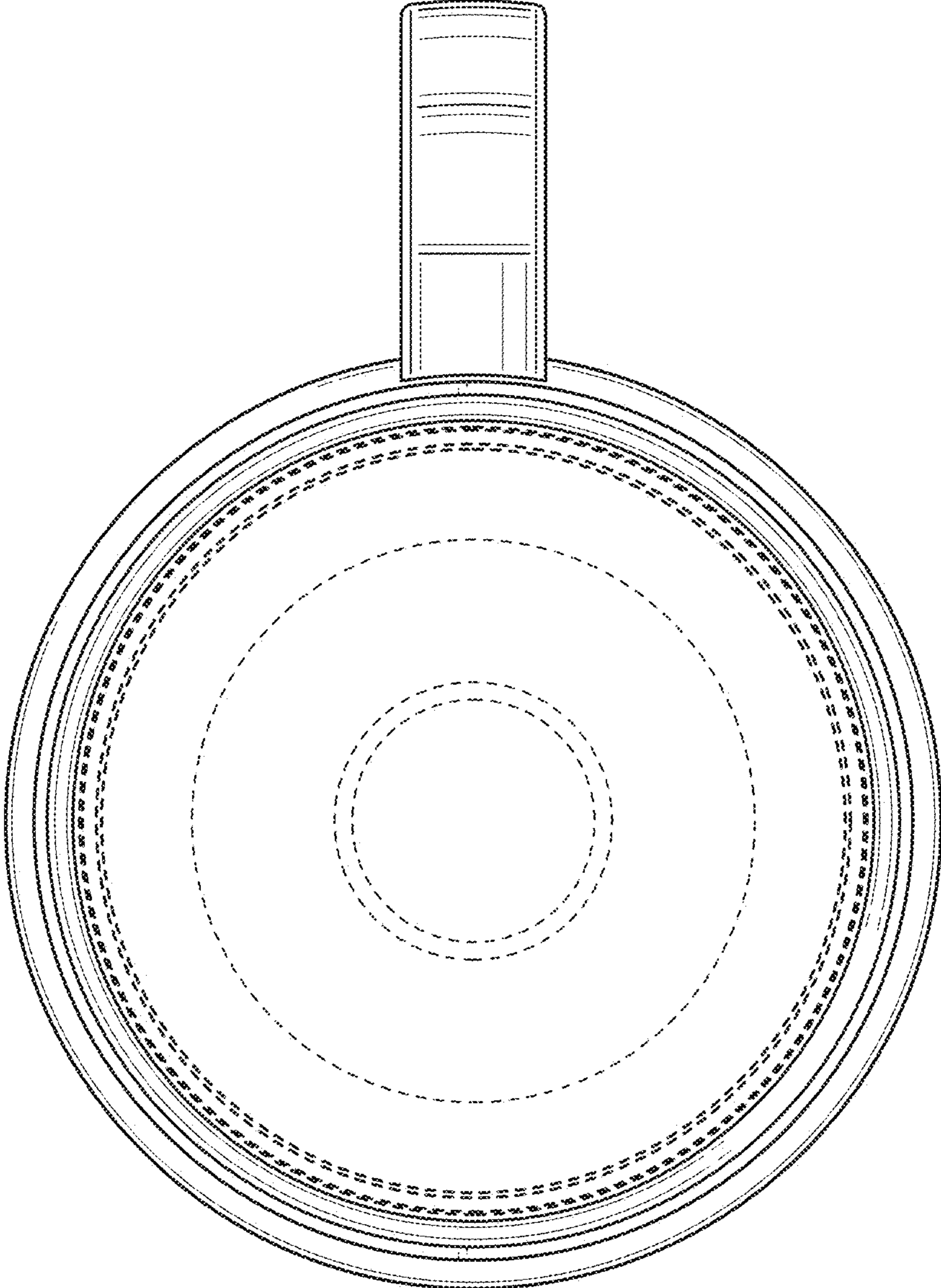


FIG. 6



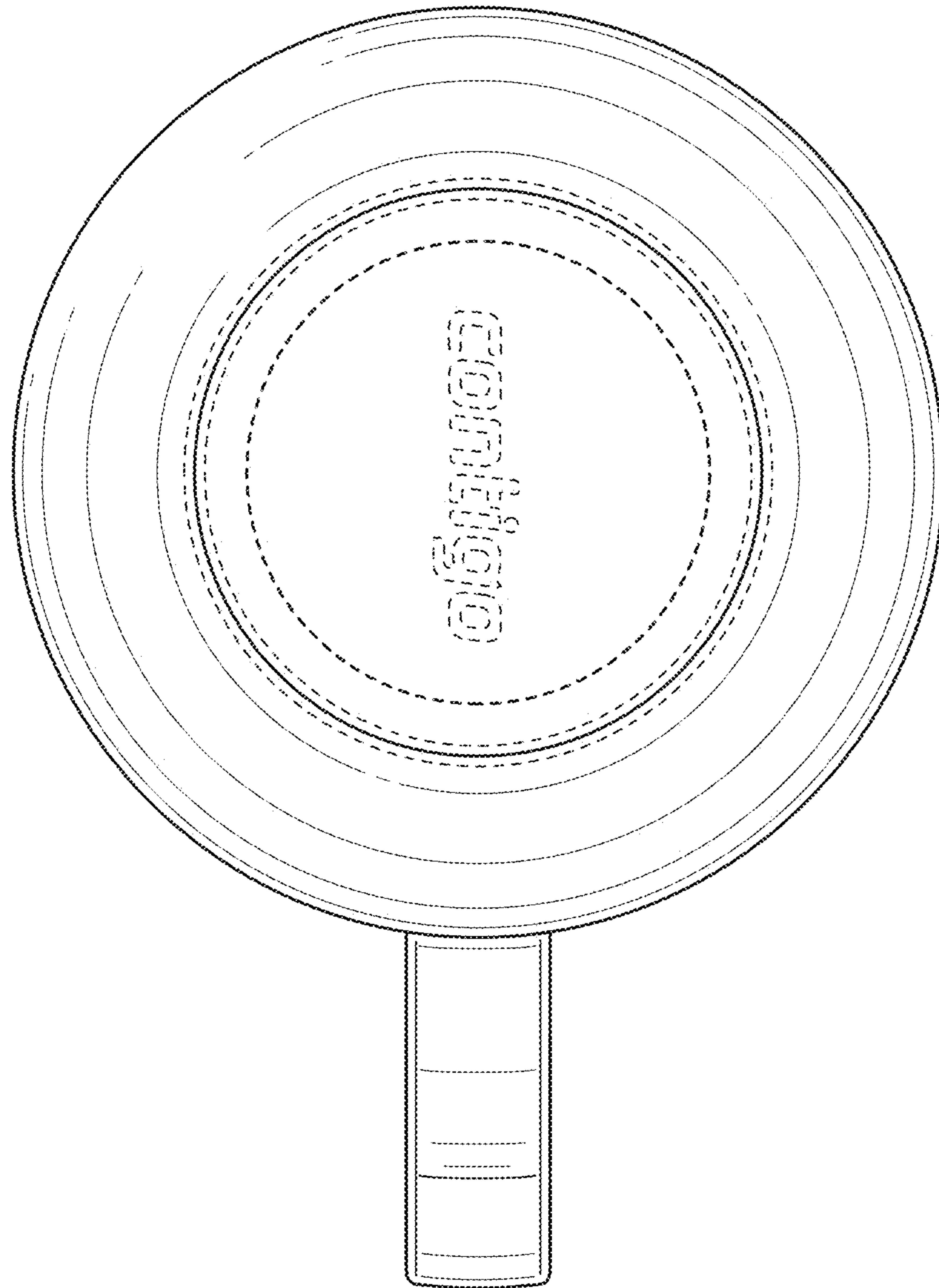


FIG. 7

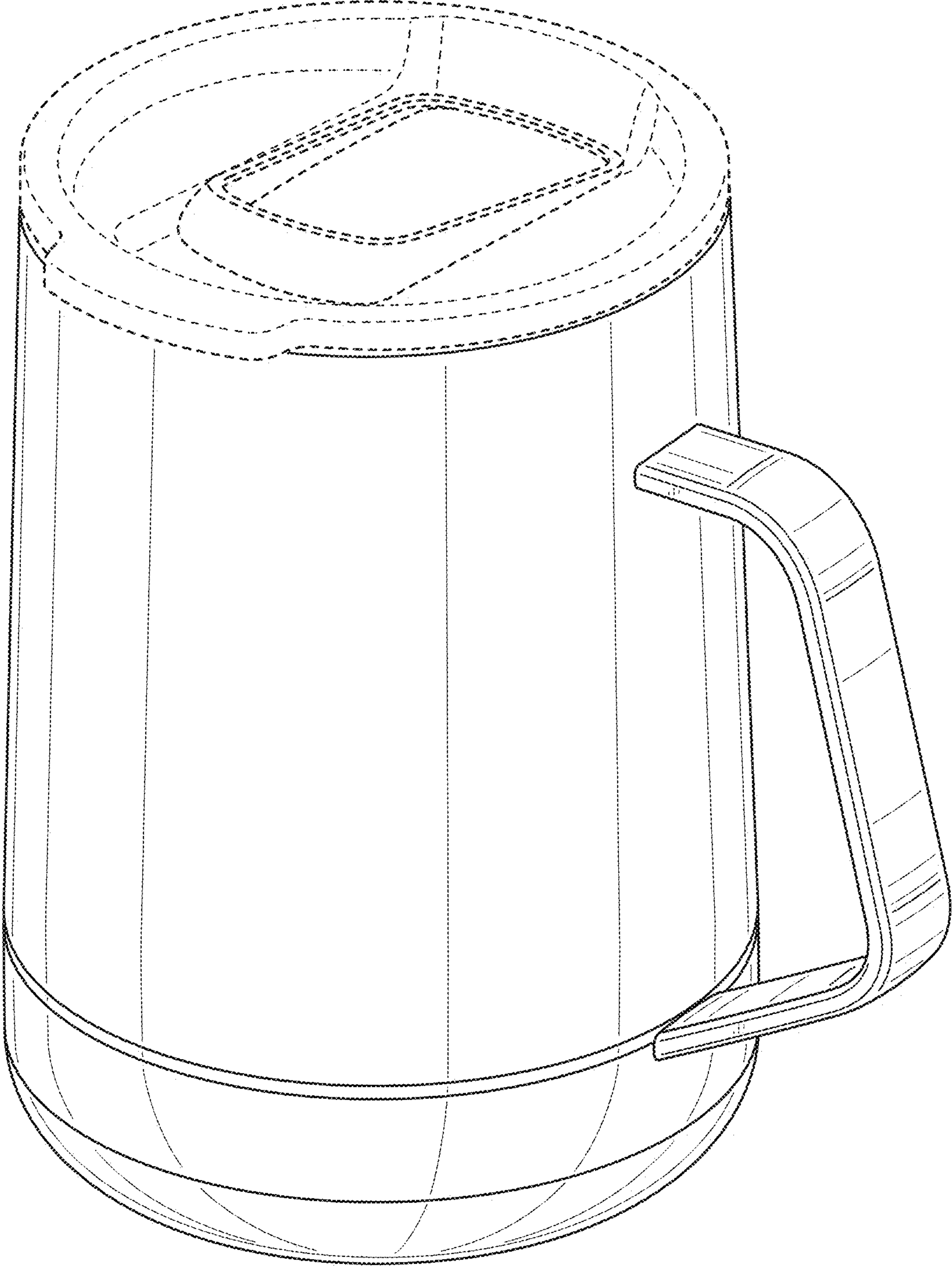


FIG. 8

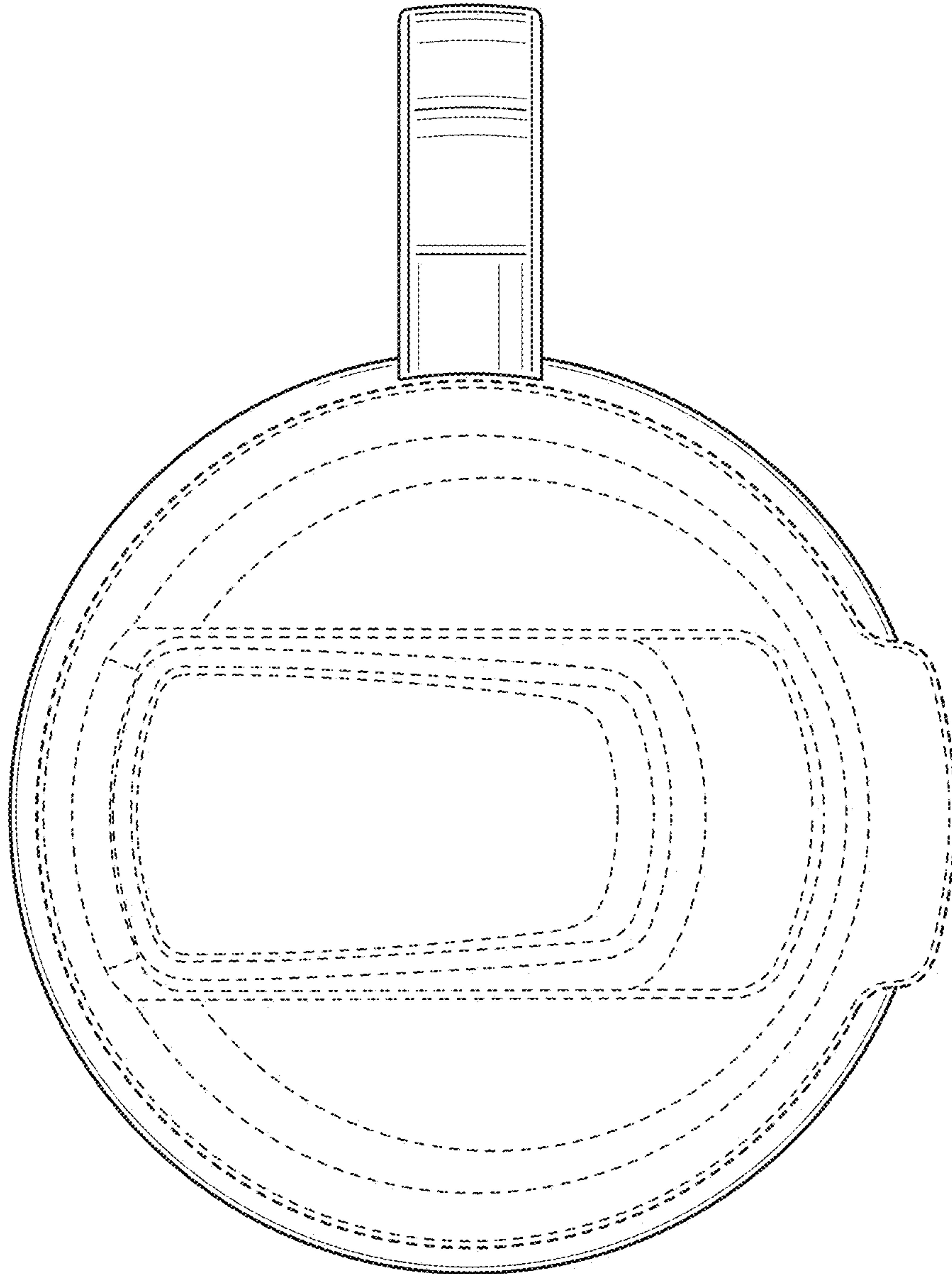


FIG. 9