



US00D979338S

(12) **United States Design Patent** (10) **Patent No.:** **US D979,338 S**  
**Bazis** (45) **Date of Patent:** **\*\* Feb. 28, 2023**

- (54) **CONTAINER**
- (71) Applicant: **FLPSDE, LLC**, Elkhorn, NE (US)
- (72) Inventor: **Ben Bazis**, Omaha, NE (US)
- (73) Assignee: **FLPSDE, LLC**, Elkhorn, NE (US)
- (\*\*) Term: **15 Years**
- (21) Appl. No.: **29/707,380**
- (22) Filed: **Sep. 27, 2019**
- (51) **LOC (14) Cl.** ..... **07-01**
- (52) **U.S. Cl.**  
USPC ..... **D7/523**; D7/532
- (58) **Field of Classification Search**  
USPC ..... D7/507, 509, 510, 511, 529, 531, 532,  
D7/523, 533, 534, 535, 536, 392.1, 296.1,  
D7/396.2, 300.1, 608, 601, 602, 624.1,  
D7/624.2, 512; D3/202; D26/9;  
D9/501, 503, 504  
CPC ..... A47G 19/22; A47G 19/2288; A47G  
19/2205; A47J 41/0077; A47J 41/0088  
See application file for complete search history.

(56) **References Cited**

**U.S. PATENT DOCUMENTS**

- 4,444,324 A \* 4/1984 Grenell ..... B65D 25/04  
426/115
- D588,751 S \* 3/2009 Mongeon ..... D28/91
- D675,481 S \* 2/2013 Enghard ..... D7/510
- D823,537 S \* 7/2018 Beaver ..... D9/504
- D897,774 S \* 10/2020 Pisarevsky ..... D7/532
- D915,826 S \* 4/2021 Ulla ..... D7/532

- D932,105 S \* 9/2021 Hardy ..... D28/85
- 2014/0238949 A1 \* 8/2014 Patel ..... B65D 1/04  
215/6
- 2020/0015609 A1 \* 1/2020 Rhodes ..... B65D 81/38

**OTHER PUBLICATIONS**

[https://www.amazon.com/dp/B07VSNSTS6/ref=cm\\_sw\\_em\\_r\\_mt\\_dp\\_3WQ55RW4J6GMXJ929BTY](https://www.amazon.com/dp/B07VSNSTS6/ref=cm_sw_em_r_mt_dp_3WQ55RW4J6GMXJ929BTY) Jul. 30, 2019 (Year: 2019).\*

\* cited by examiner

*Primary Examiner* — Jae Liang

(74) *Attorney, Agent, or Firm* — Mallory M. Henninger; Advent, LLP

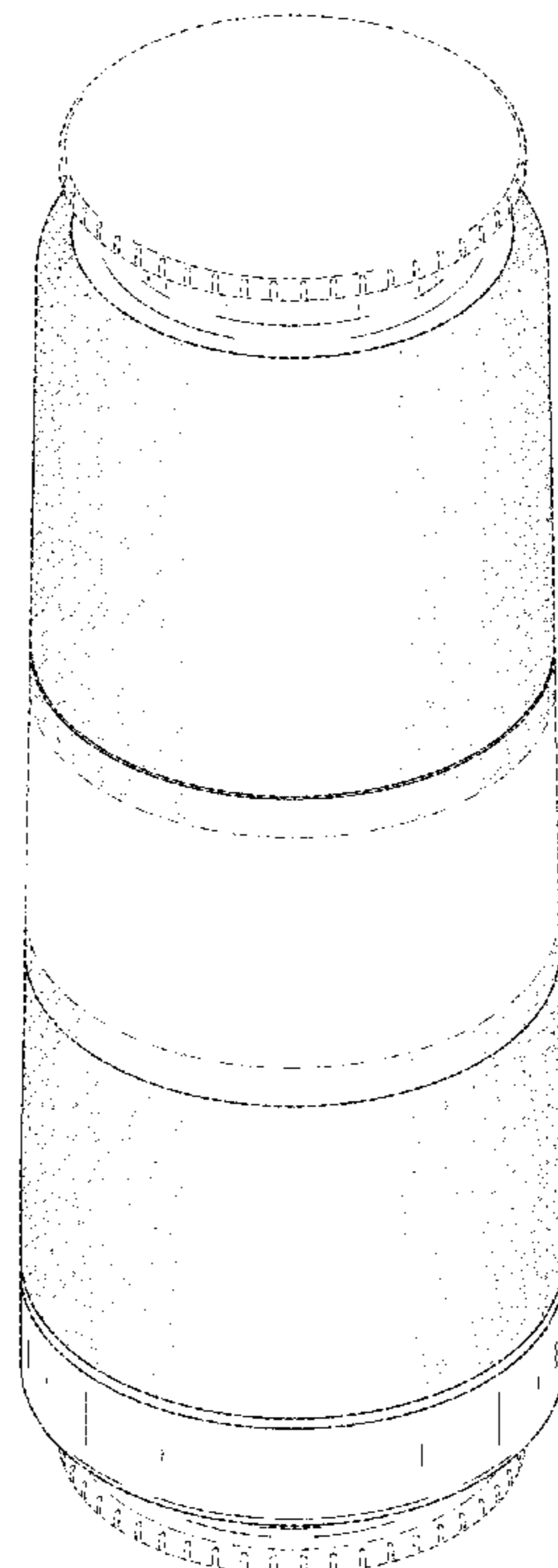
(57) **CLAIM**

The ornamental design for a container, as shown and described.

**DESCRIPTION**

FIG. 1 is an isometric view of a container.  
 FIG. 2 is another isometric view of the container of FIG. 1.  
 FIG. 3 is a top plan view of the container of FIG. 1.  
 FIG. 4 is a bottom plan view of the container of FIG. 1.  
 FIG. 5 is a front elevation view of the container of FIG. 1.  
 FIG. 6 is a rear elevation view of the container of FIG. 1.  
 FIG. 7 is a left side elevation view of the container of FIG. 1; and,  
 FIG. 8 is a right side elevation view of the container of FIG. 1.  
 Portions of FIGS. 1 through 8 are shown in evenly spaced broken lines representing portions of the article that form no part of the claimed design; the dash-dot-dash lines represent boundaries of the claimed design and form no part thereof.

**1 Claim, 8 Drawing Sheets**



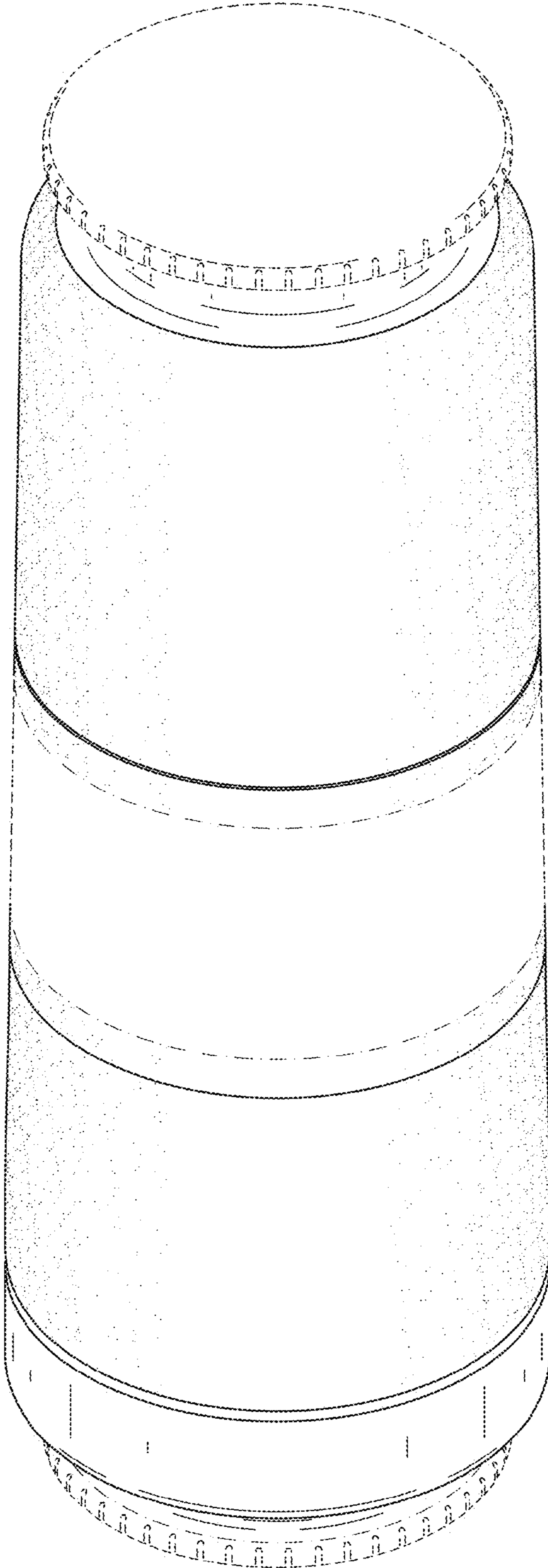


FIG. 1

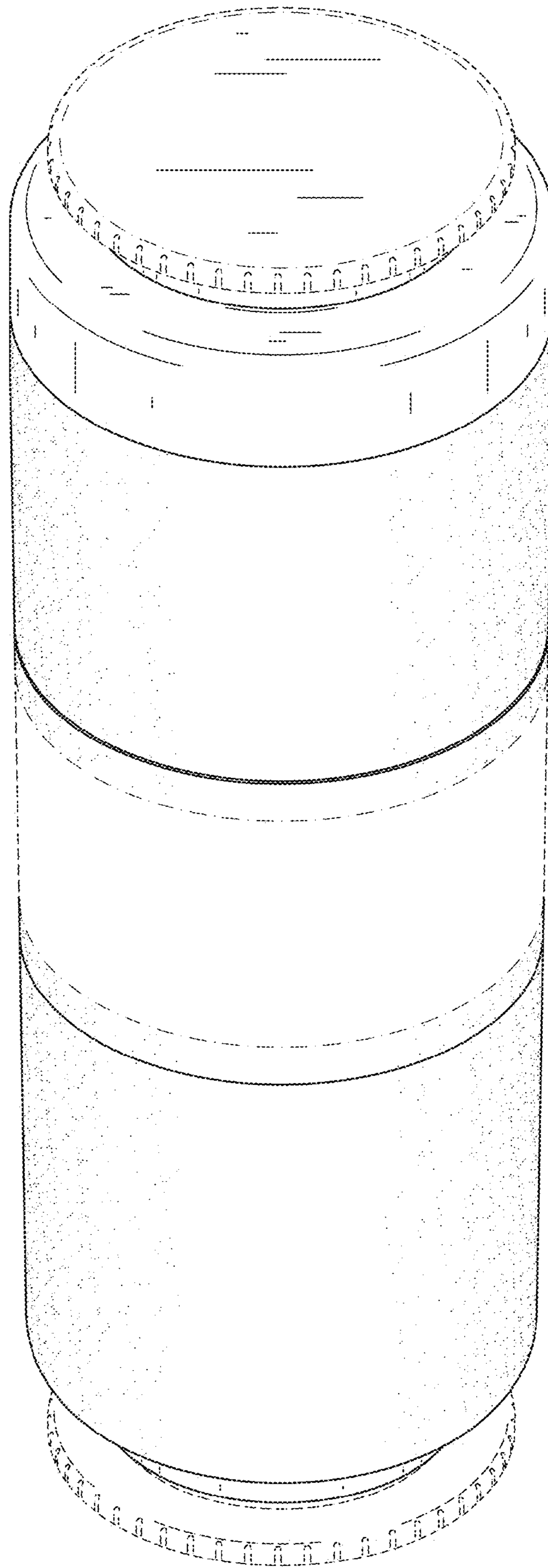
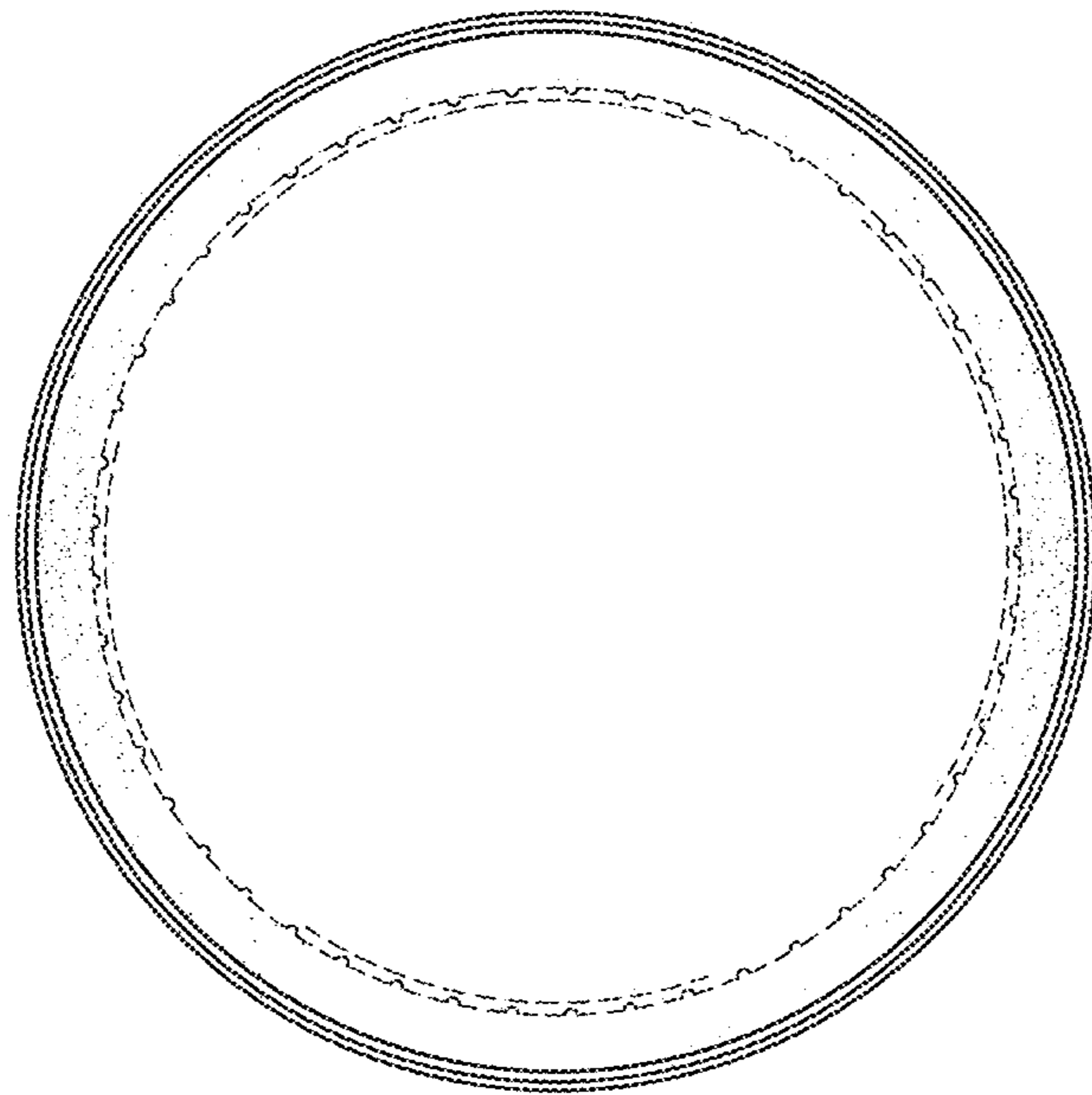
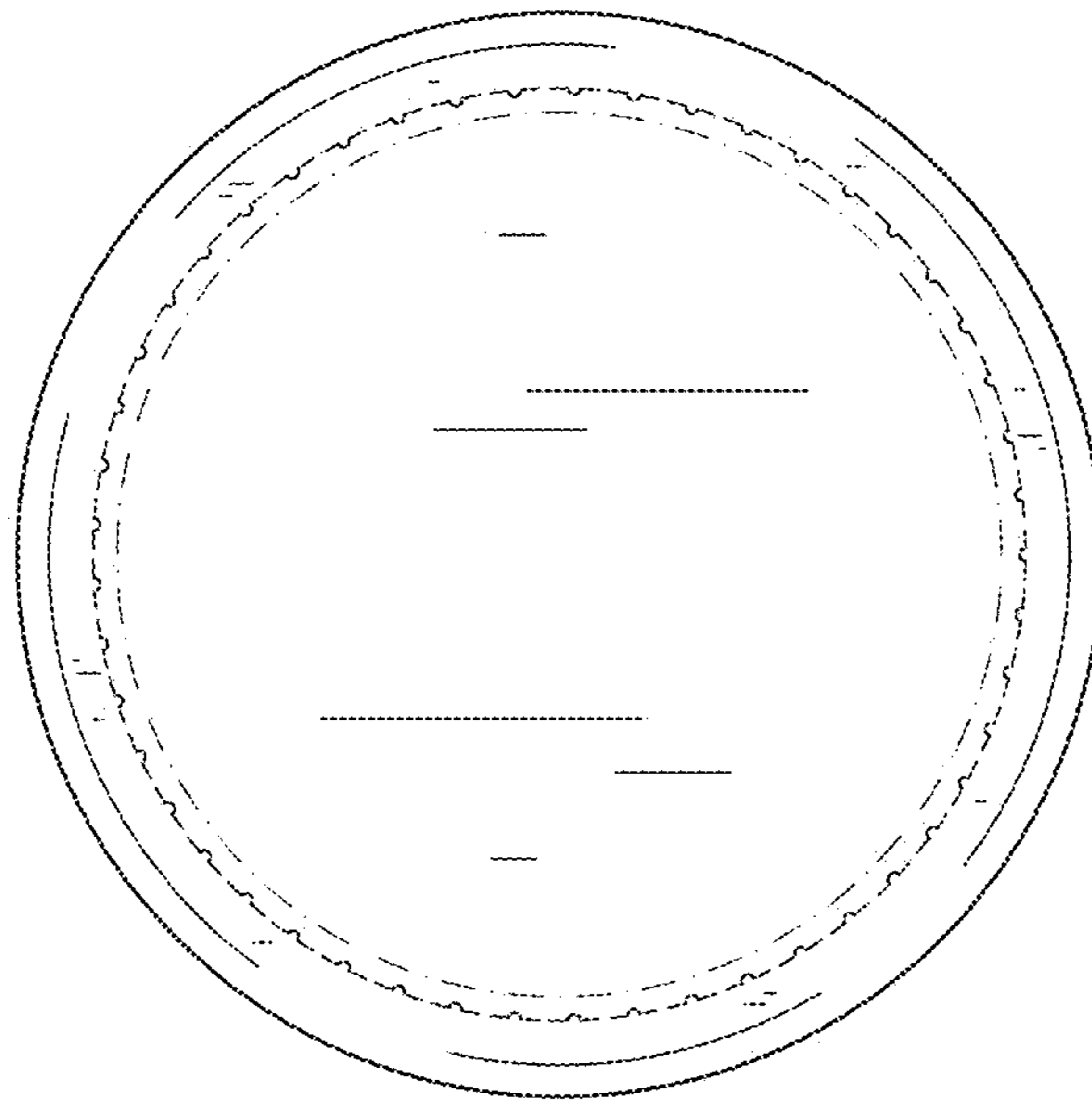


FIG. 2



**FIG. 3**



**FIG. 4**



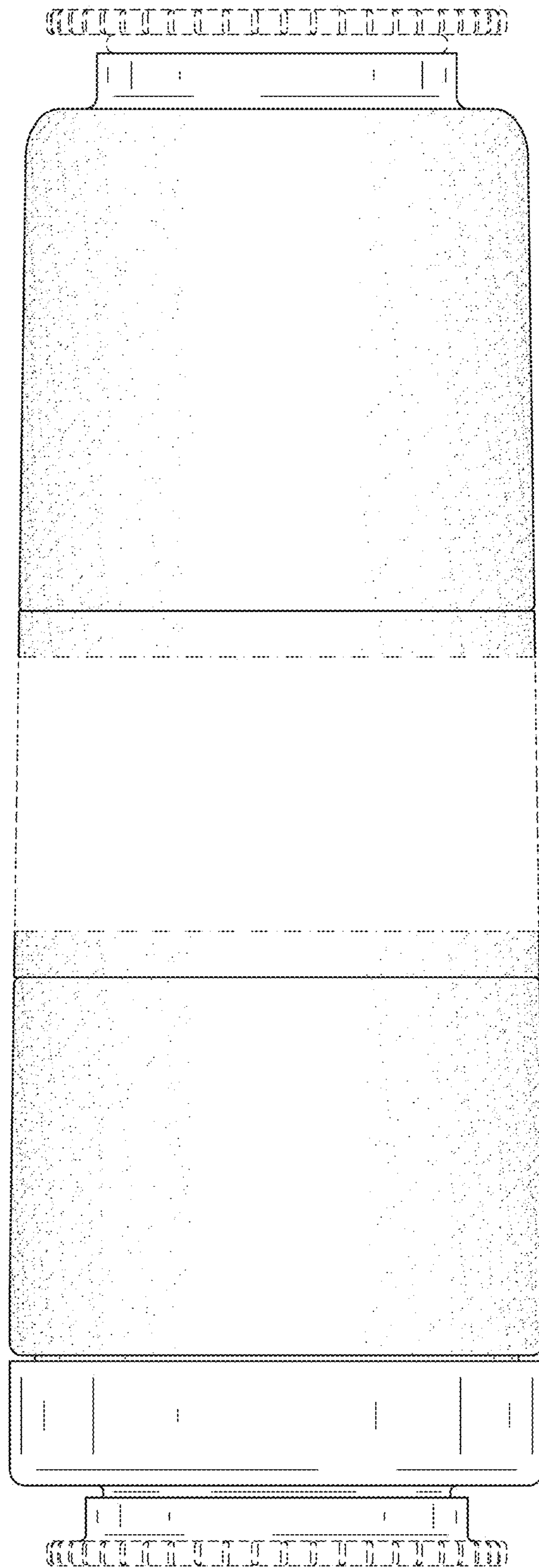


FIG. 5

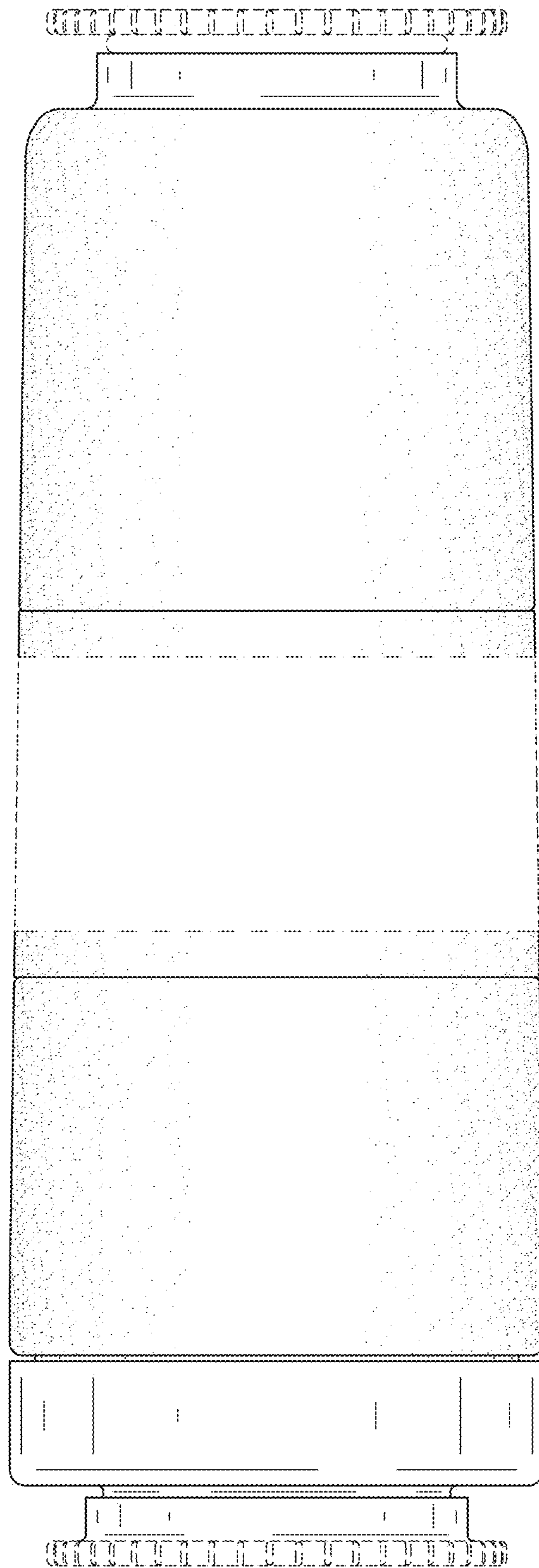


FIG. 6

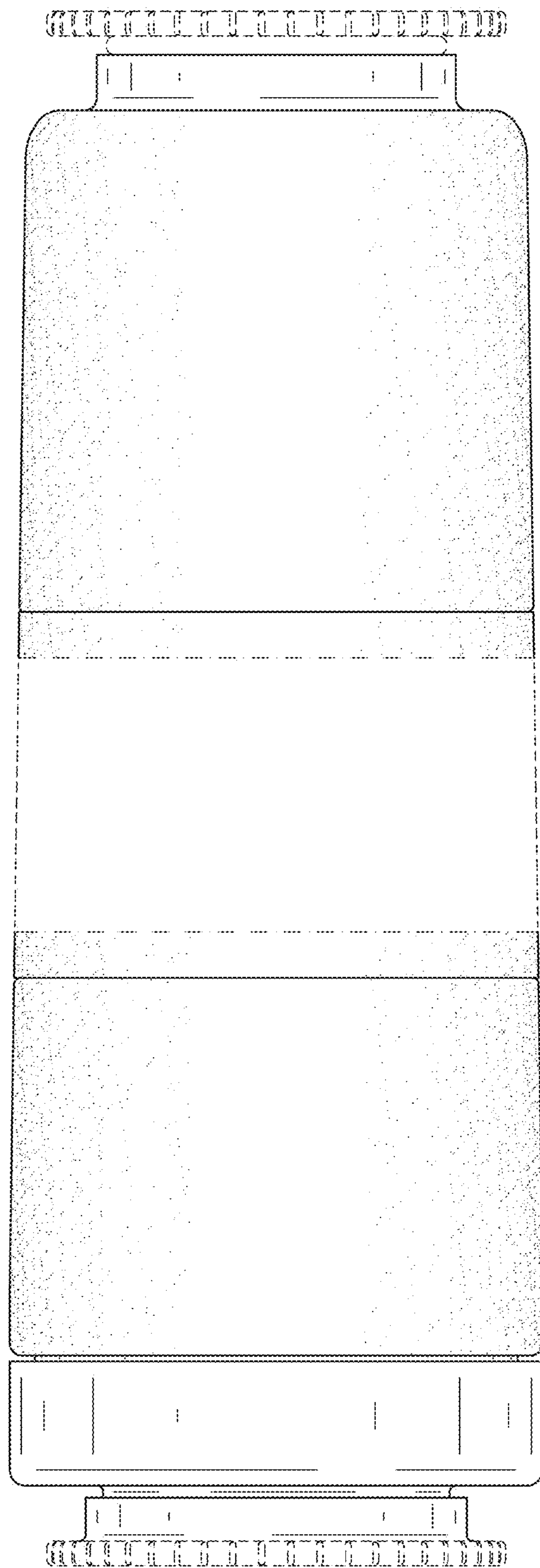


FIG. 7



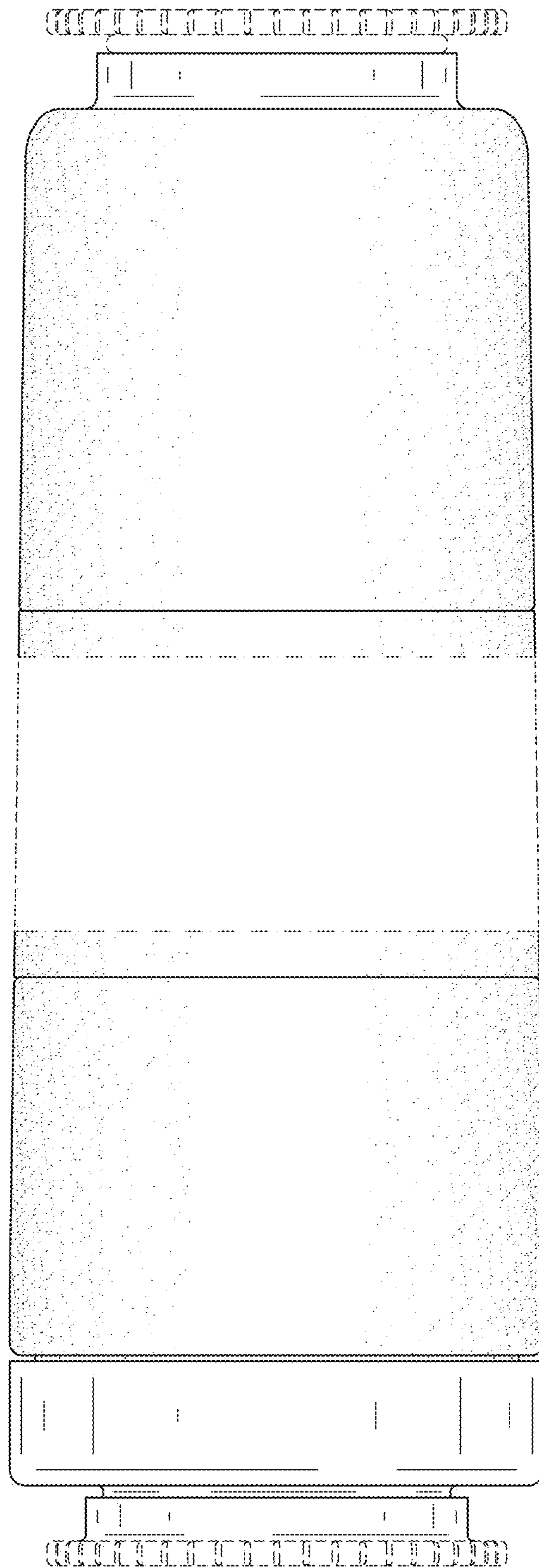


FIG. 8