



US00D979335S

(12) **United States Design Patent** (10) **Patent No.:** **US D979,335 S**
Su (45) **Date of Patent:** **** Feb. 28, 2023**

(54) **CUP HOLDER FOR SEATING**

(71) Applicant: **Yuanfeng Su**, Fujian (CN)

(72) Inventor: **Yuanfeng Su**, Fujian (CN)

(**) Term: **15 Years**

(21) Appl. No.: **29/738,509**

(22) Filed: **Jun. 18, 2020**

(51) **LOC (14) Cl.** **07-01**

(52) **U.S. Cl.**
USPC **D7/512; D12/419**

(58) **Field of Classification Search**
USPC D7/601, 602, 619.1, 620; D3/302, 229;
D12/419, 420; 220/737; 297/188.2,
297/188.14, 188.18

(Continued)

(56) **References Cited**

U.S. PATENT DOCUMENTS

3,521,788 A * 7/1970 Carter B65D 81/3867
220/675

D360,396 S * 7/1995 Collins D12/411
(Continued)

FOREIGN PATENT DOCUMENTS

CN 303487349 * 12/2015
CN 305431002 * 11/2019

(Continued)

OTHER PUBLICATIONS

Five Oceans [online] URL: https://www.amazon.com/Five-Oceans-Stainless-Holder_FO-4434/dp/B07YNSBGXS (site visited: Apr. 12, 2022) (Year: 2017).*

(Continued)

Primary Examiner — Jae Liang

Assistant Examiner — Tia Ruth-Renee Polidori

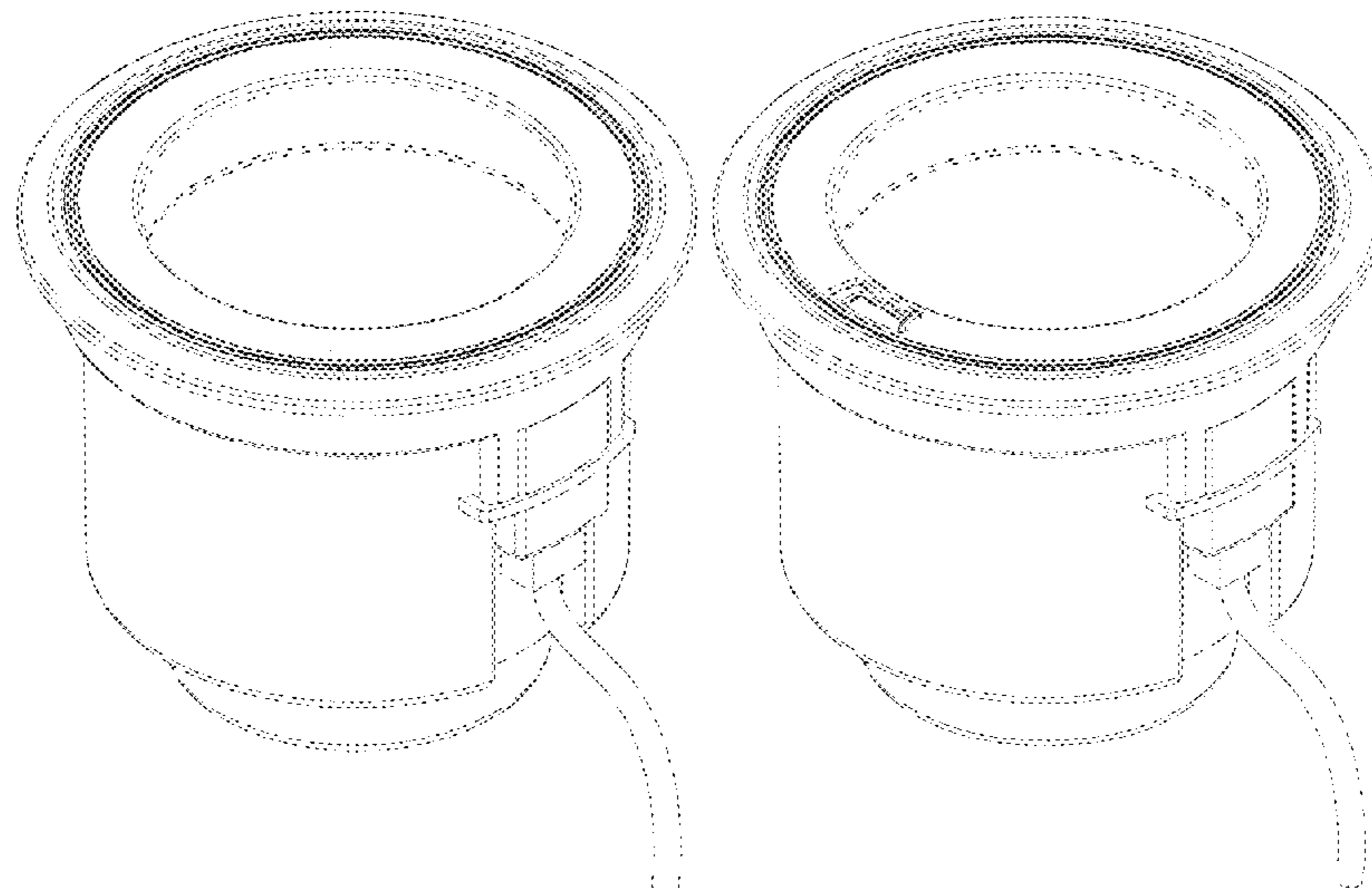
(57) **CLAIM**

The ornamental design for a cup holder for seating, as shown and described.

DESCRIPTION

FIG. 1 is a front elevation view of a first embodiment of my new design for a cup holder for seating; FIG. 2 is a rear elevational view thereof; FIG. 3 is a left side view thereof; FIG. 4 is a right side view thereof; FIG. 5 is a top plan view thereof; FIG. 6 is a bottom plan view thereof; FIG. 7 is a bottom perspective view thereof; FIG. 8 is a top perspective view thereof; FIG. 9 is a second top perspective view thereof; FIG. 10 is a third top perspective view thereof; FIG. 11 is a second bottom perspective view thereof, shown with a cooler attached thereto for clarity of disclosure; FIG. 12 is a front elevation view of a second embodiment of my new design for a cup holder for seating; FIG. 13 is a rear elevational view thereof; FIG. 14 is a left side view thereof; FIG. 15 is a right side view thereof; FIG. 16 is a top plan view thereof; FIG. 17 is a bottom plan view thereof; FIG. 18 is a bottom perspective view thereof; FIG. 19 is a top perspective view thereof; FIG. 20 is a second top perspective view thereof; FIG. 21 is a third top perspective view thereof; and, FIG. 22 is a second bottom perspective view thereof; shown with a cooler attached thereto for clarity of disclosure. The portions of the cup holder for seating shown in broken line form no part of the claimed design. The broken line showing of the cooler illustrates an environmental feature that forms no part of the claimed design. The broken line immediately adjacent to the solid line in FIGS. 8, 9, 19, 20, and 21 depicts the bounds of the claim and forms no part of the claimed design.

1 Claim, 22 Drawing Sheets



(58) **Field of Classification Search**

CPC A47B 55/00; A47B 55/02; A47B 73/00;
 A47B 73/002; A47B 73/004; A47B
 73/006; A47B 73/008; A47B 69/00;
 A47G 23/0266; B65D 81/18; B65D
 81/3876; B65D 81/3886

See application file for complete search history.

(56) **References Cited**

U.S. PATENT DOCUMENTS

D361,017 S * 8/1995 Keven D7/619.1
 D369,526 S * 5/1996 Colton D7/620
 D379,287 S * 5/1997 Carlson D7/602
 D442,443 S * 5/2001 Perndocaj D7/701
 D466,755 S * 12/2002 Henry D7/355
 D643,252 S * 8/2011 Seidl B60N 3/101
 D7/619.1
 D645,340 S * 9/2011 Menard D9/428
 D707,489 S * 6/2014 Hertaus D7/400
 9,140,443 B1 * 9/2015 Galvez F21V 33/0036
 9,149,139 B1 * 10/2015 Rogers E04H 4/14
 D746,641 S * 1/2016 Panone D7/602
 D748,954 S * 2/2016 Romley D7/620
 9,493,102 B2 * 11/2016 Tang F25D 31/007
 D776,986 S * 1/2017 Landphere D12/419
 D777,527 S * 1/2017 Landphere D12/419
 D777,528 S * 1/2017 Landphere D12/419
 9,751,460 B1 * 9/2017 Iordache B60Q 3/225
 D807,662 S * 1/2018 Veto D6/520
 10,173,589 B2 * 1/2019 Takahama B60N 3/10
 10,299,603 B2 * 5/2019 Seidl A47C 7/72
 10,434,921 B2 * 10/2019 Kim B60N 3/102
 D869,951 S * 12/2019 Yi D9/500
 D877,618 S * 3/2020 Baker D9/500
 10,596,947 B2 * 3/2020 Smithson B60N 3/105

10,640,028 B2 * 5/2020 Koarai B60N 3/106
 D937,754 S * 12/2021 Xu D12/419
 D939,345 S * 12/2021 Drori D9/428
 D945,948 S * 3/2022 Yu D12/419
 D945,949 S * 3/2022 Yu D7/624.2
 D947,101 S * 3/2022 Zhu D12/419
 2004/0069792 A1 * 4/2004 Schaal B60N 3/102
 220/737
 2008/0186697 A1 * 8/2008 Camarota B60N 3/101
 362/101
 2012/0075842 A1 * 3/2012 Goto B60Q 3/20
 220/737
 2015/0251582 A1 * 9/2015 Sawada B60N 3/10
 220/737
 2016/0018138 A1 * 1/2016 Liptak B60N 3/00
 62/3.3
 2016/0106245 A1 * 4/2016 Sawada B60N 3/10
 220/737
 2017/0108269 A1 * 4/2017 Shin B60N 3/18

FOREIGN PATENT DOCUMENTS

CN 305431336 * 11/2019
 CN 307008438 * 12/2021

OTHER PUBLICATIONS

Infinite Innovations [online] URL: <https://infparts.com/product/thermoelectric-cup-cooler-drink-holder-kit/> (site visited: Apr. 12, 2022) (Year: 2022).
 FR Store [online] URL: <https://www.amazon.com/Powered-Insulated-Holder-Cooling-Heatsink/dp/B08JWY761J> (site visited: Jun. 2, 2022) (Year: 2020).*

* cited by examiner

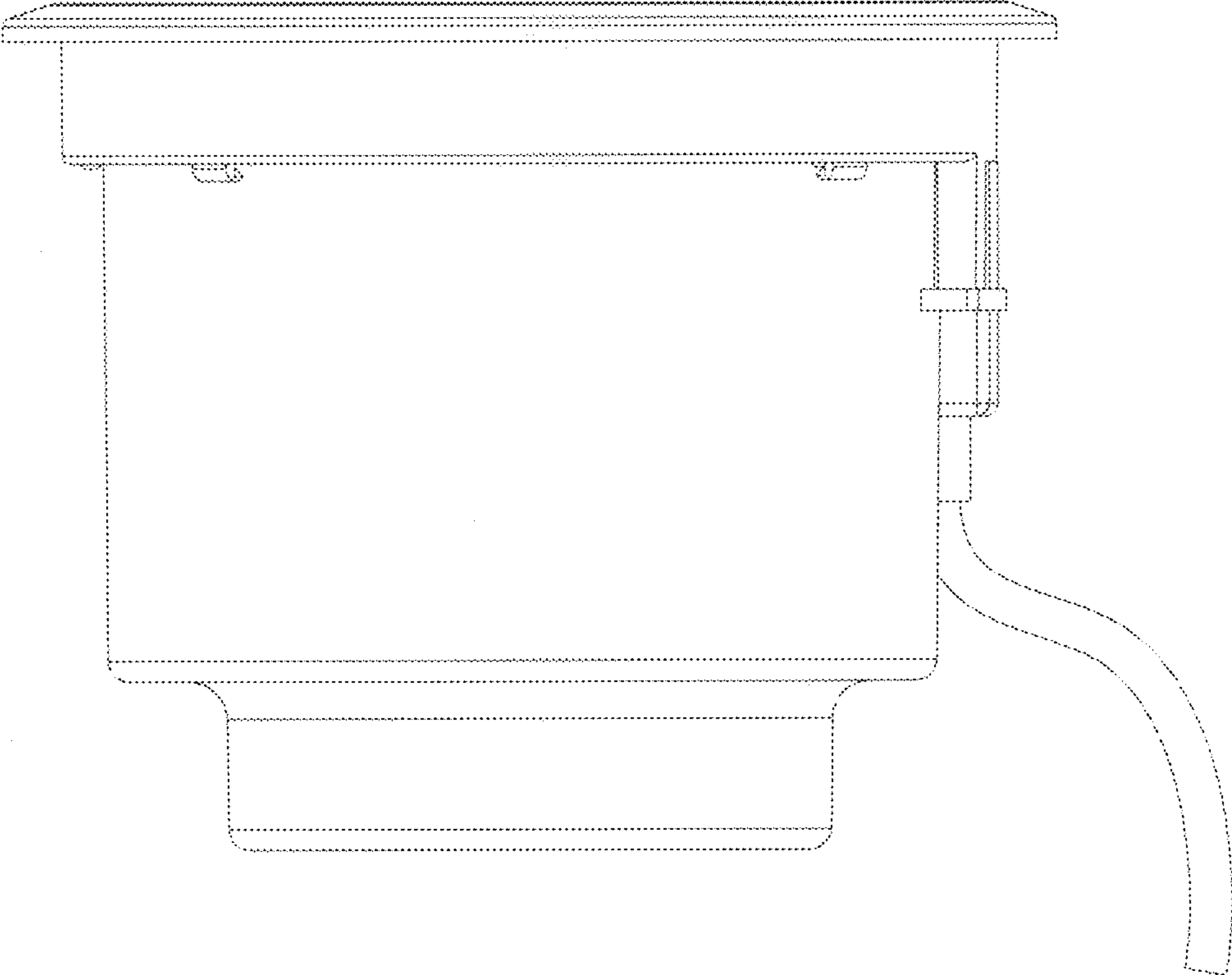


FIG. 1

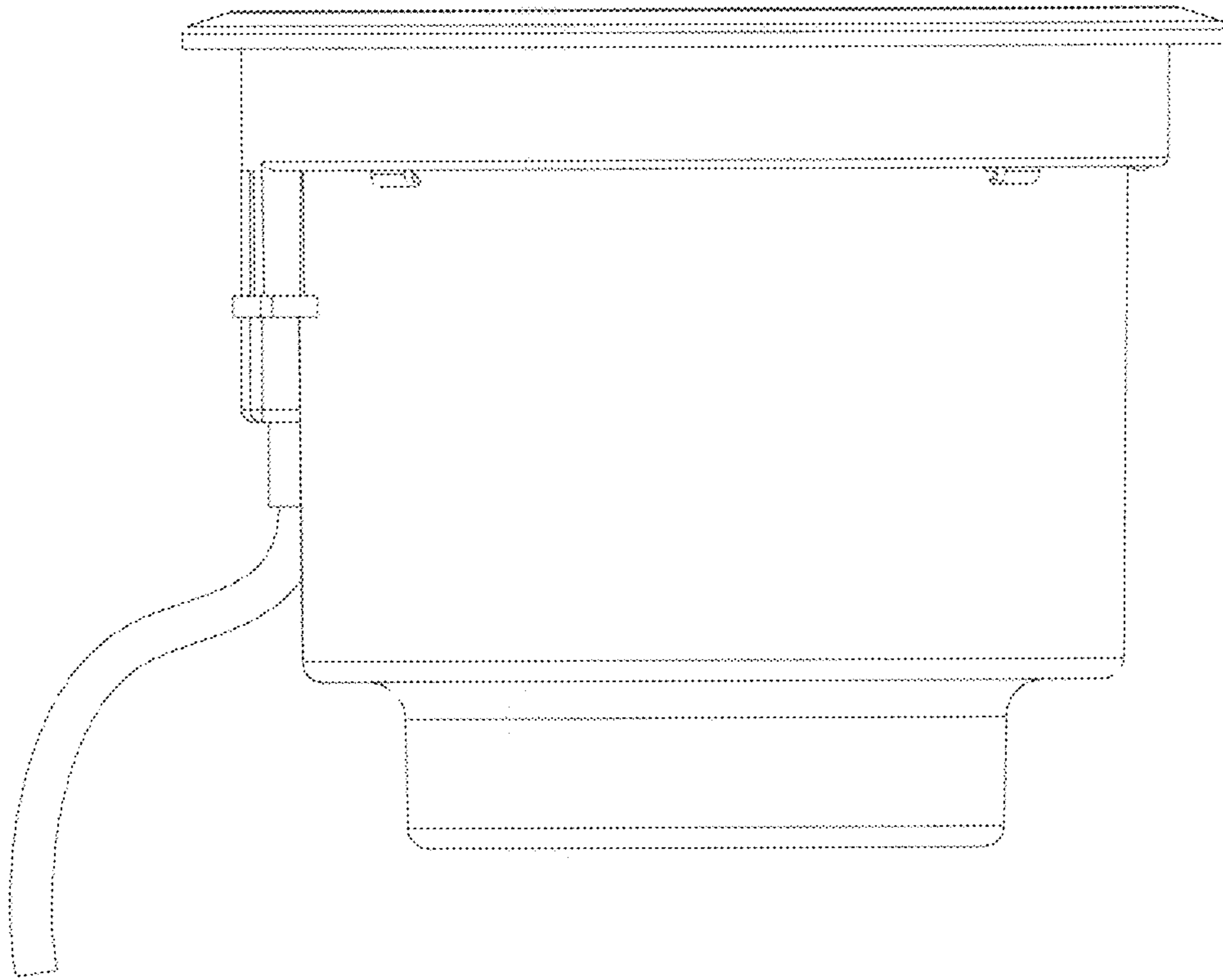


FIG. 2

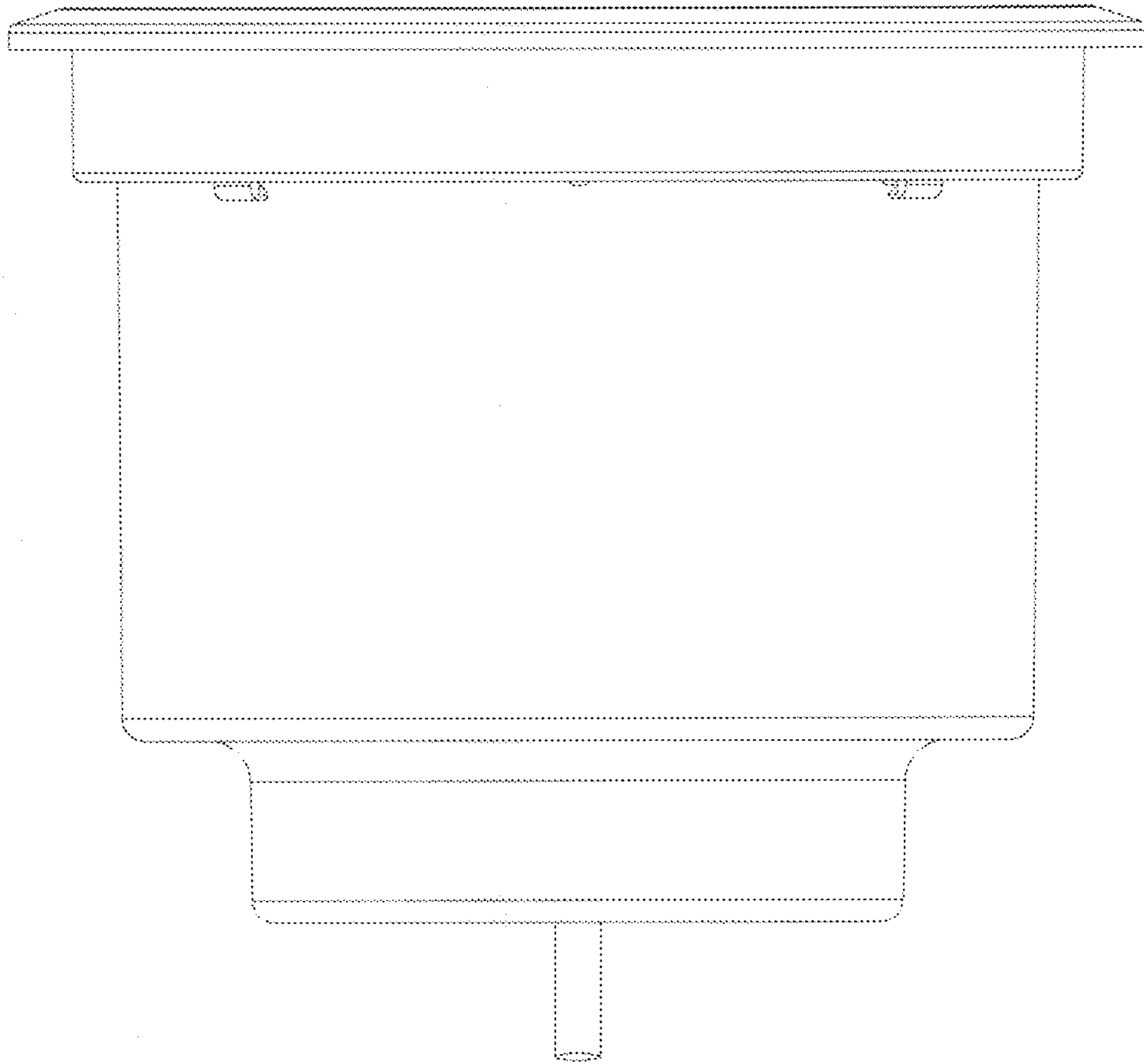


FIG. 3

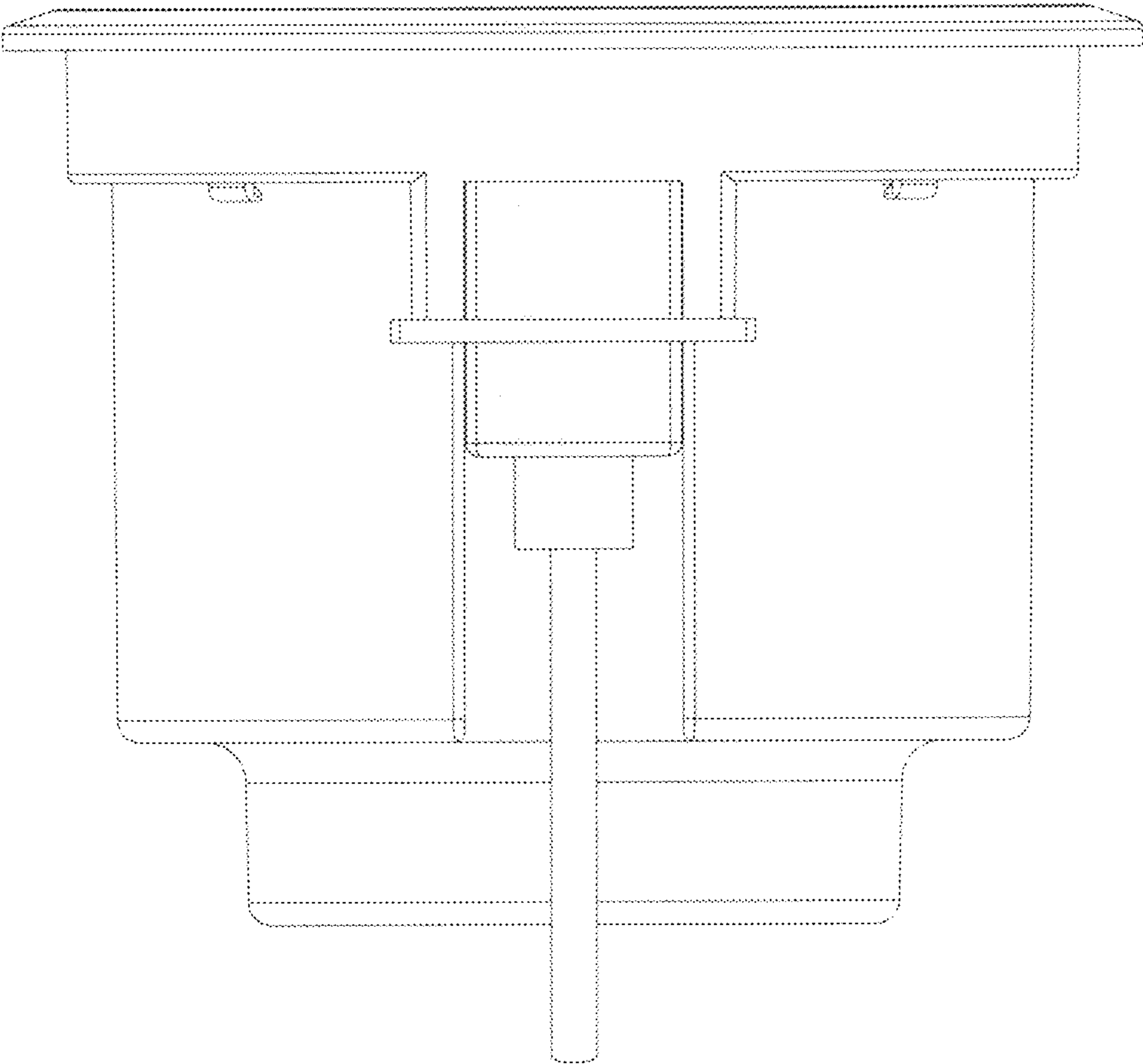


FIG. 4

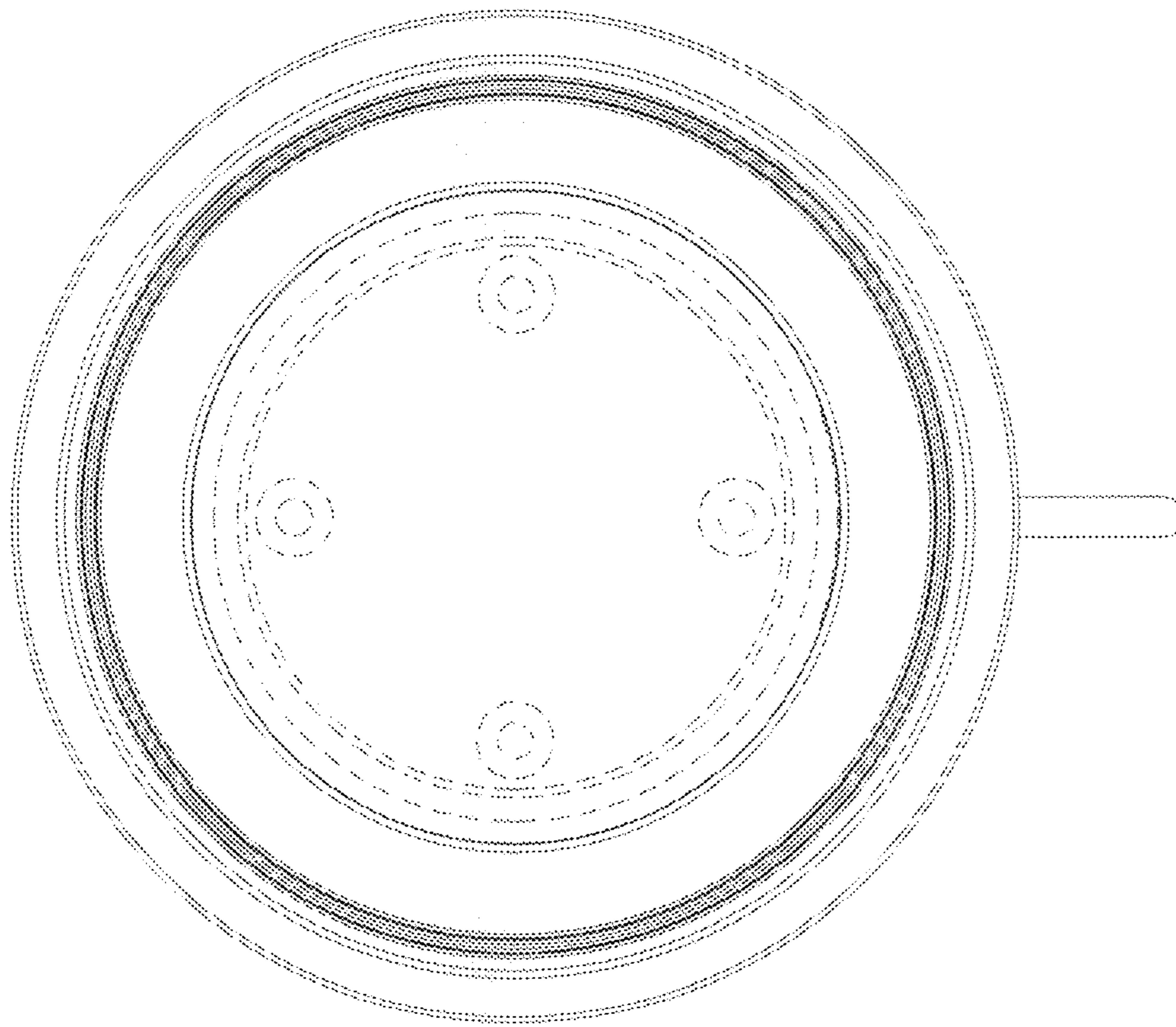


FIG. 5

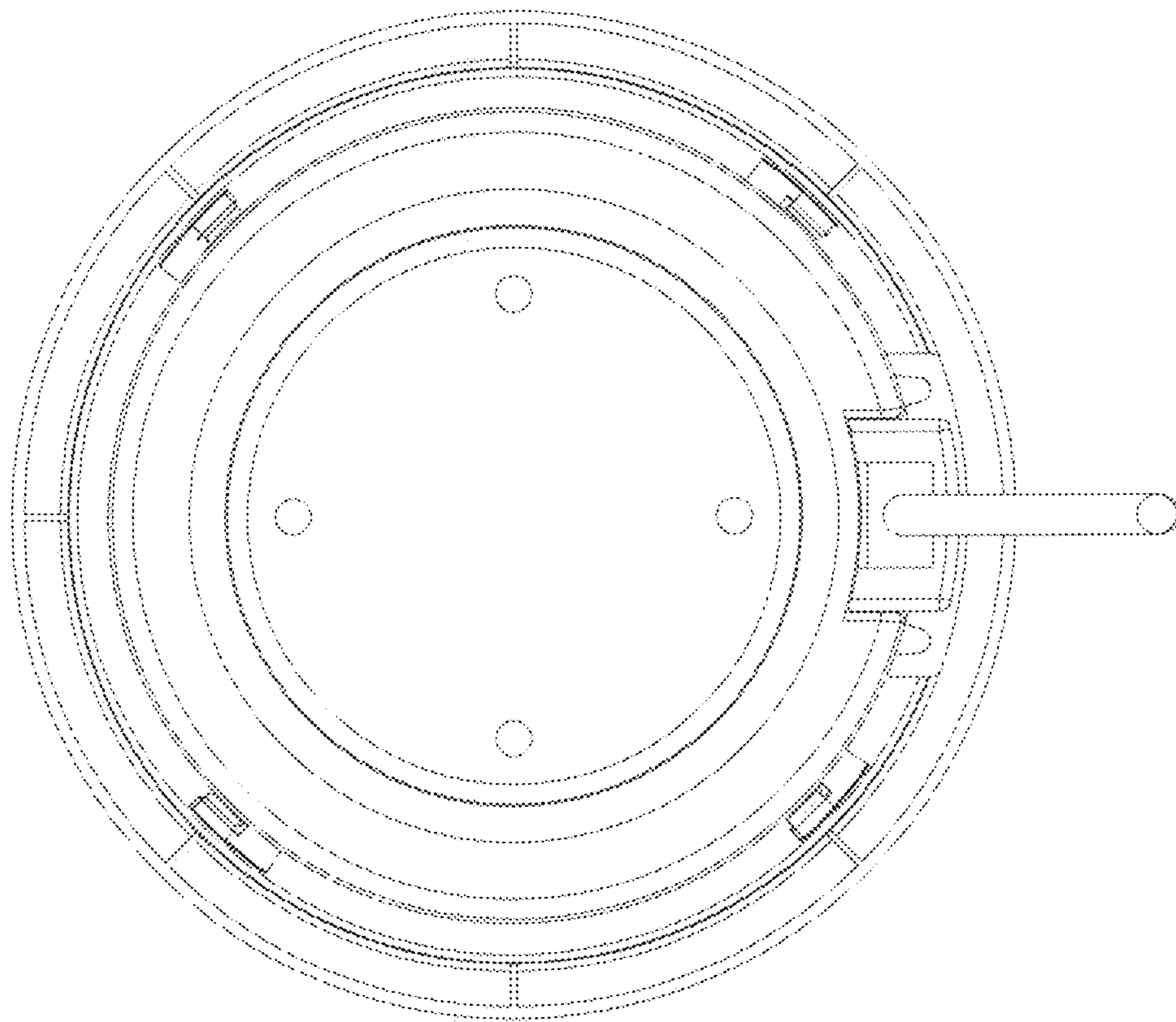


FIG. 6

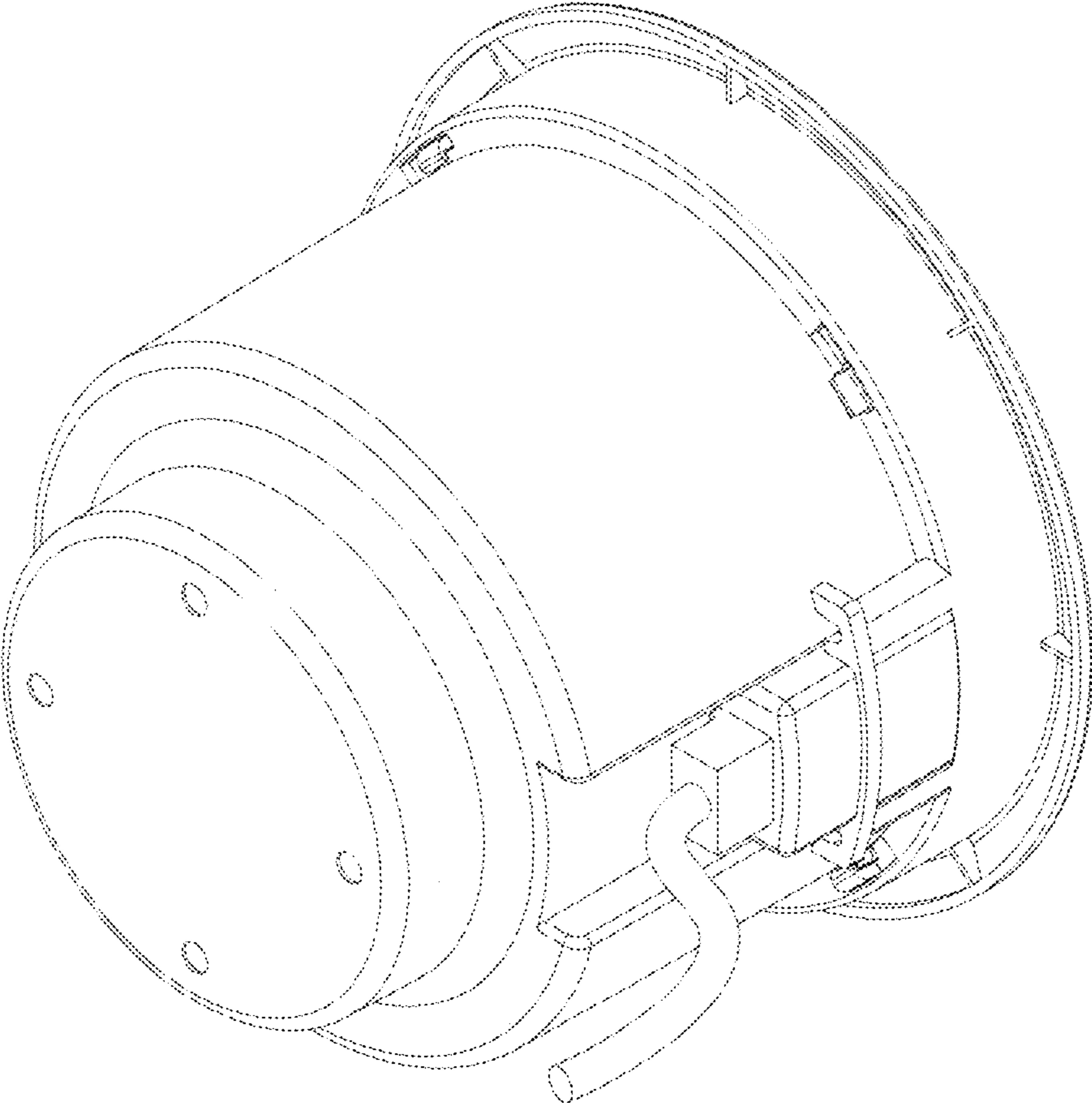


FIG. 7

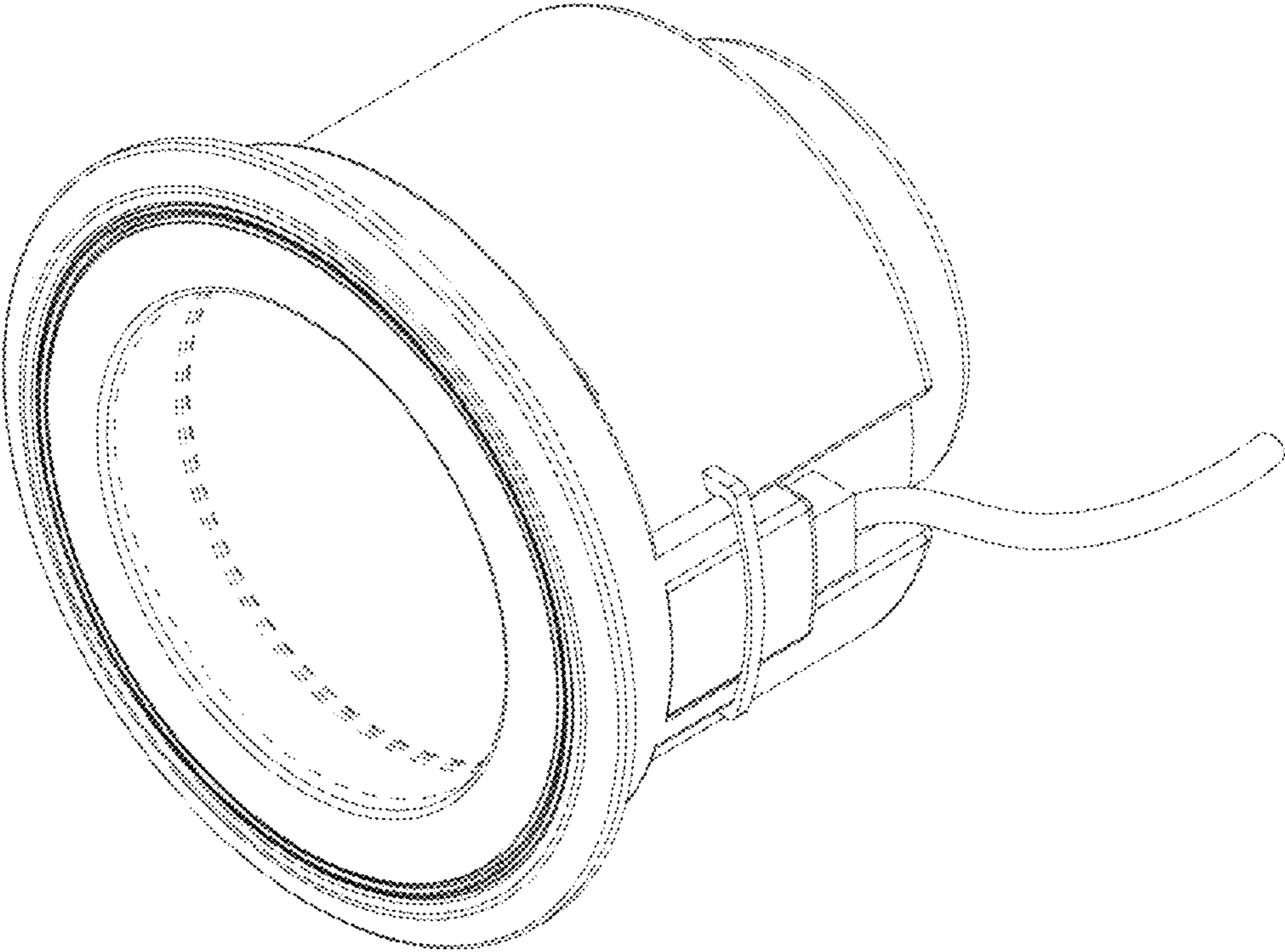


FIG. 8

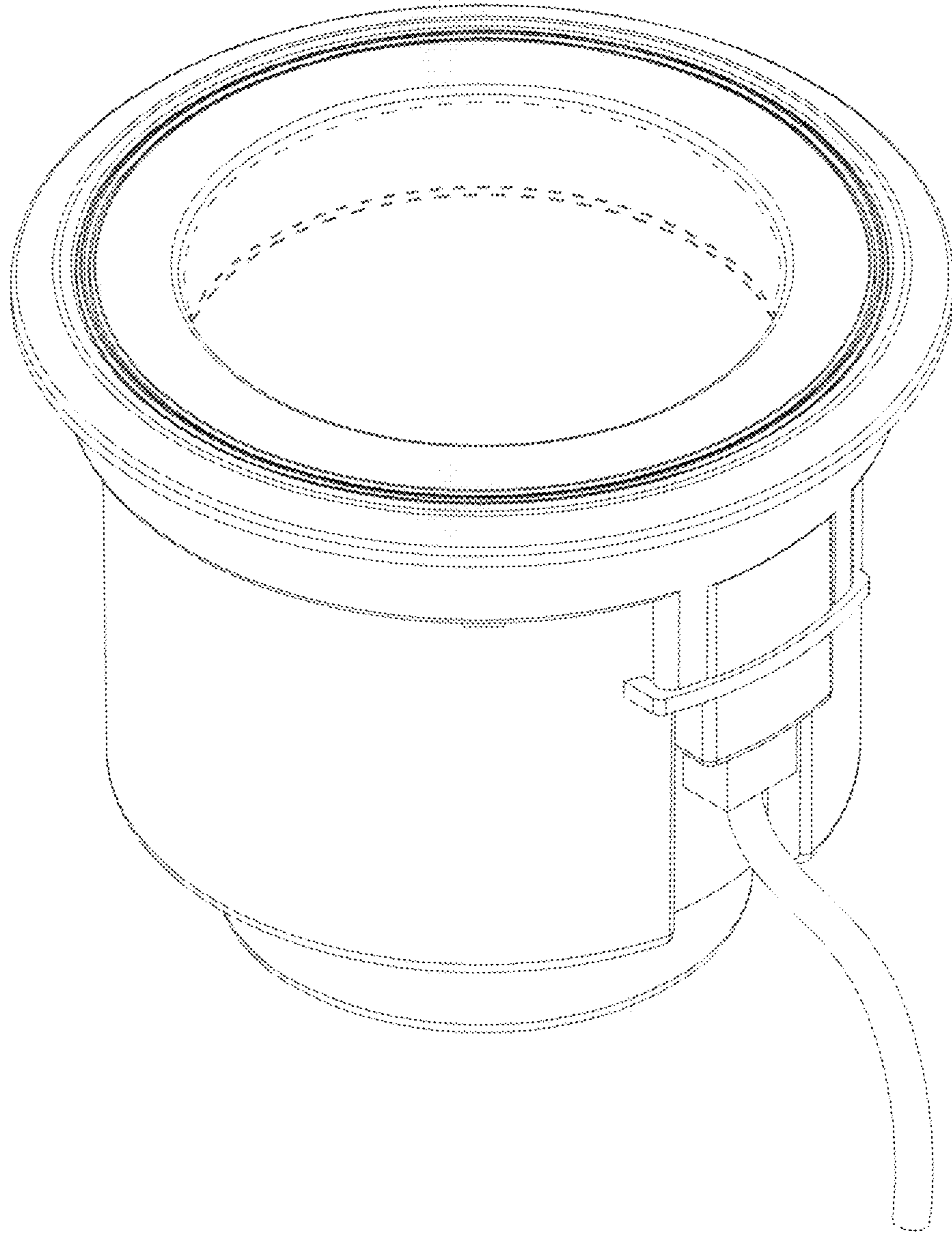


FIG. 9

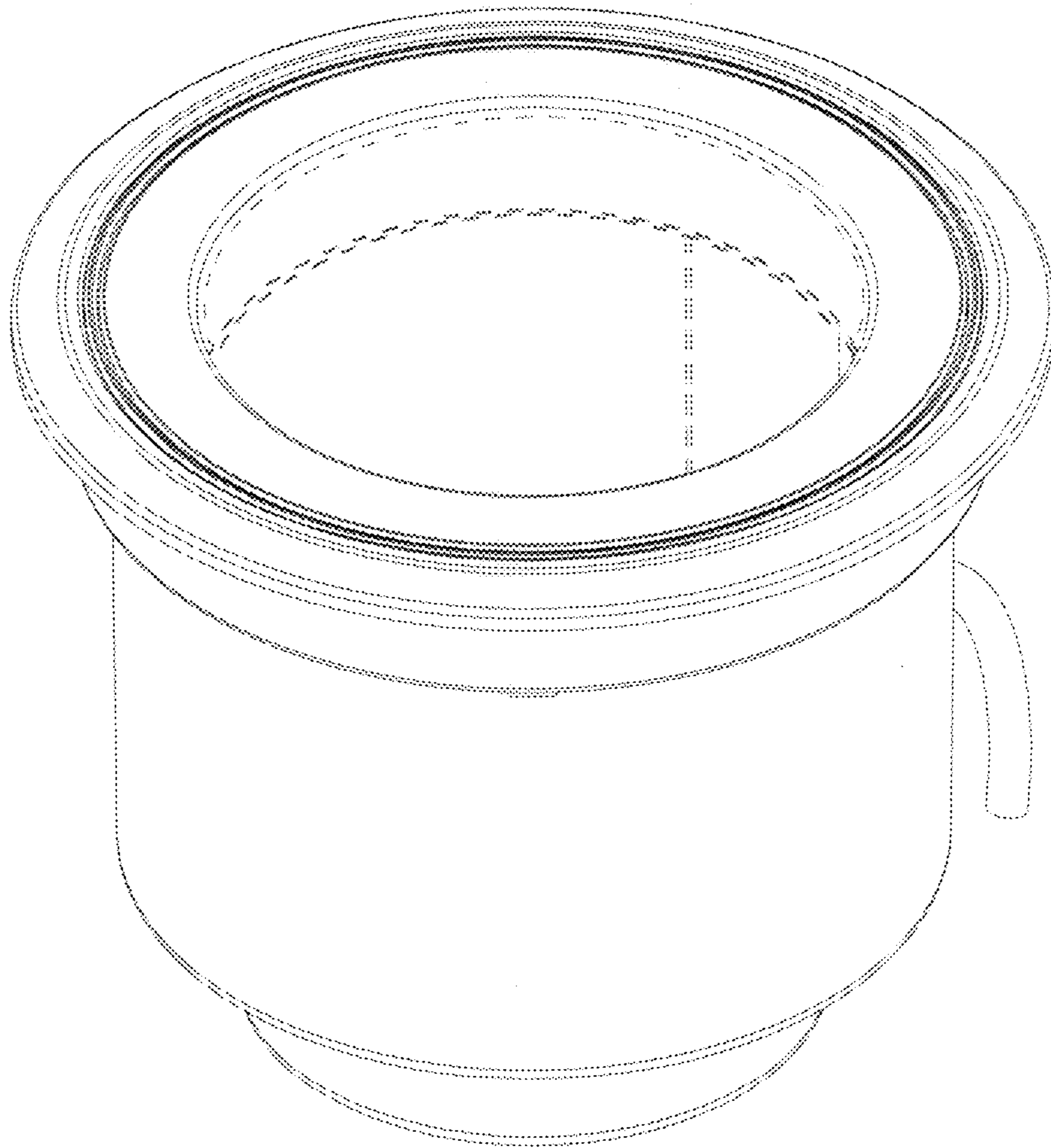


FIG. 10

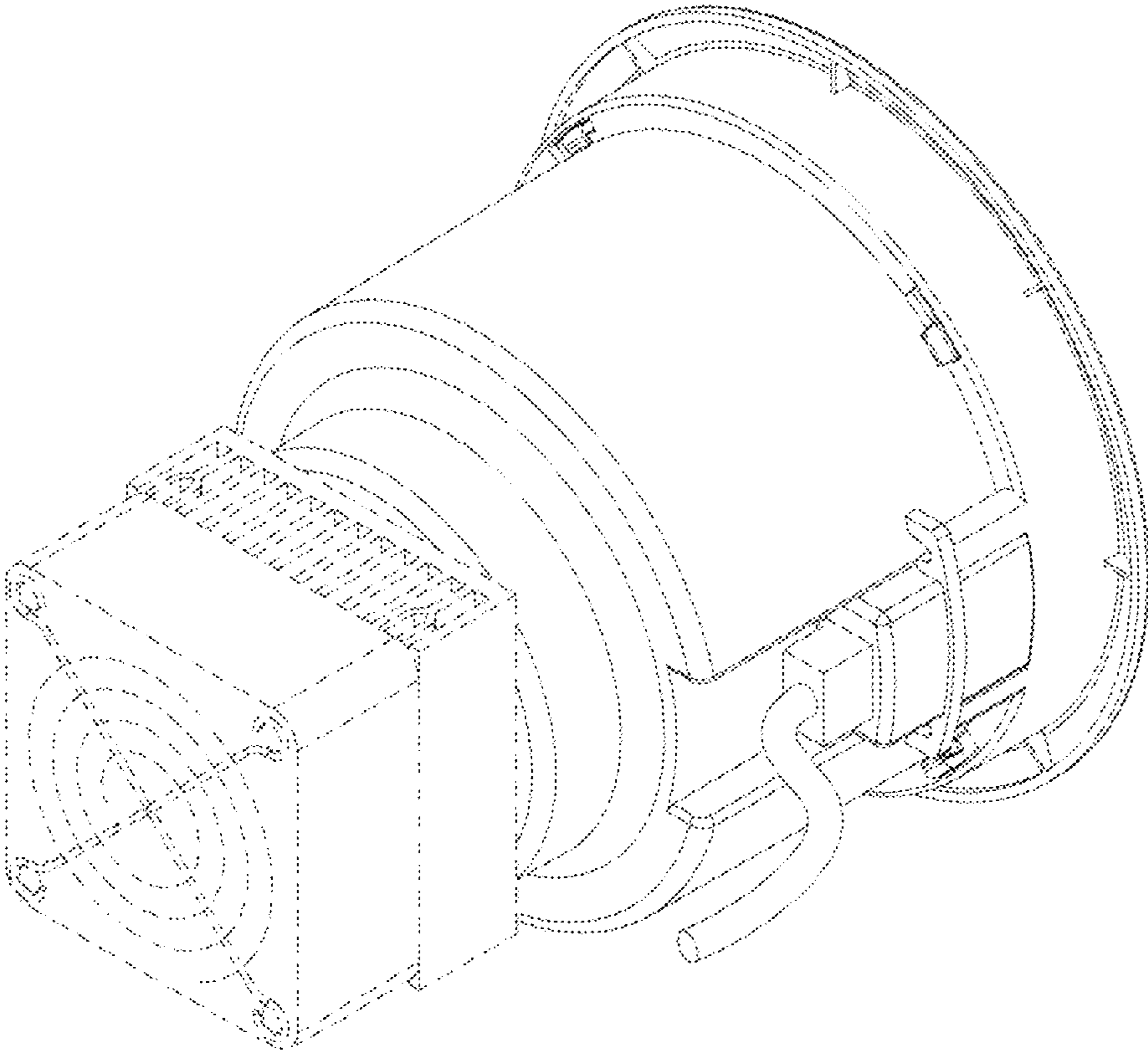


FIG. 11

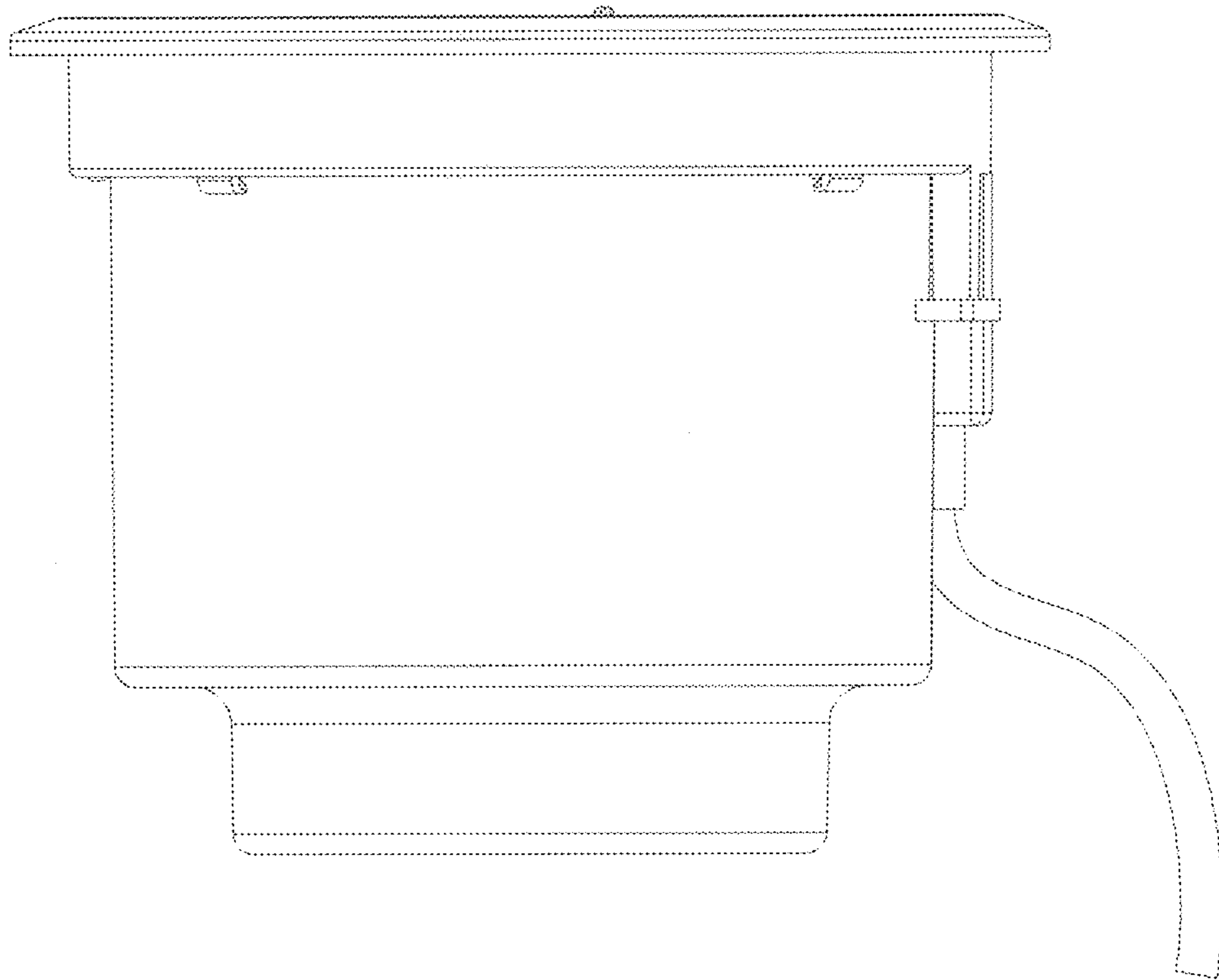


FIG. 12

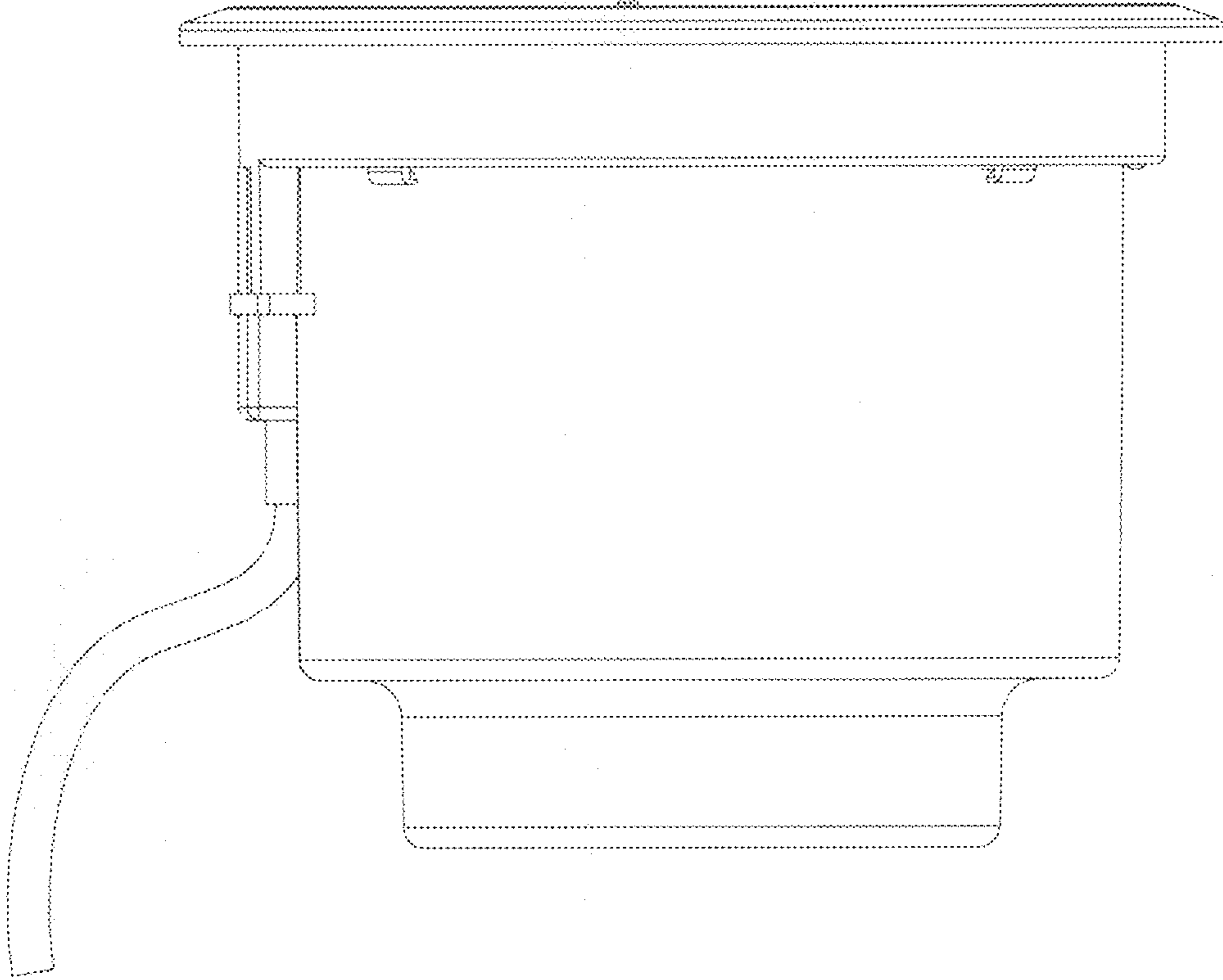


FIG. 13

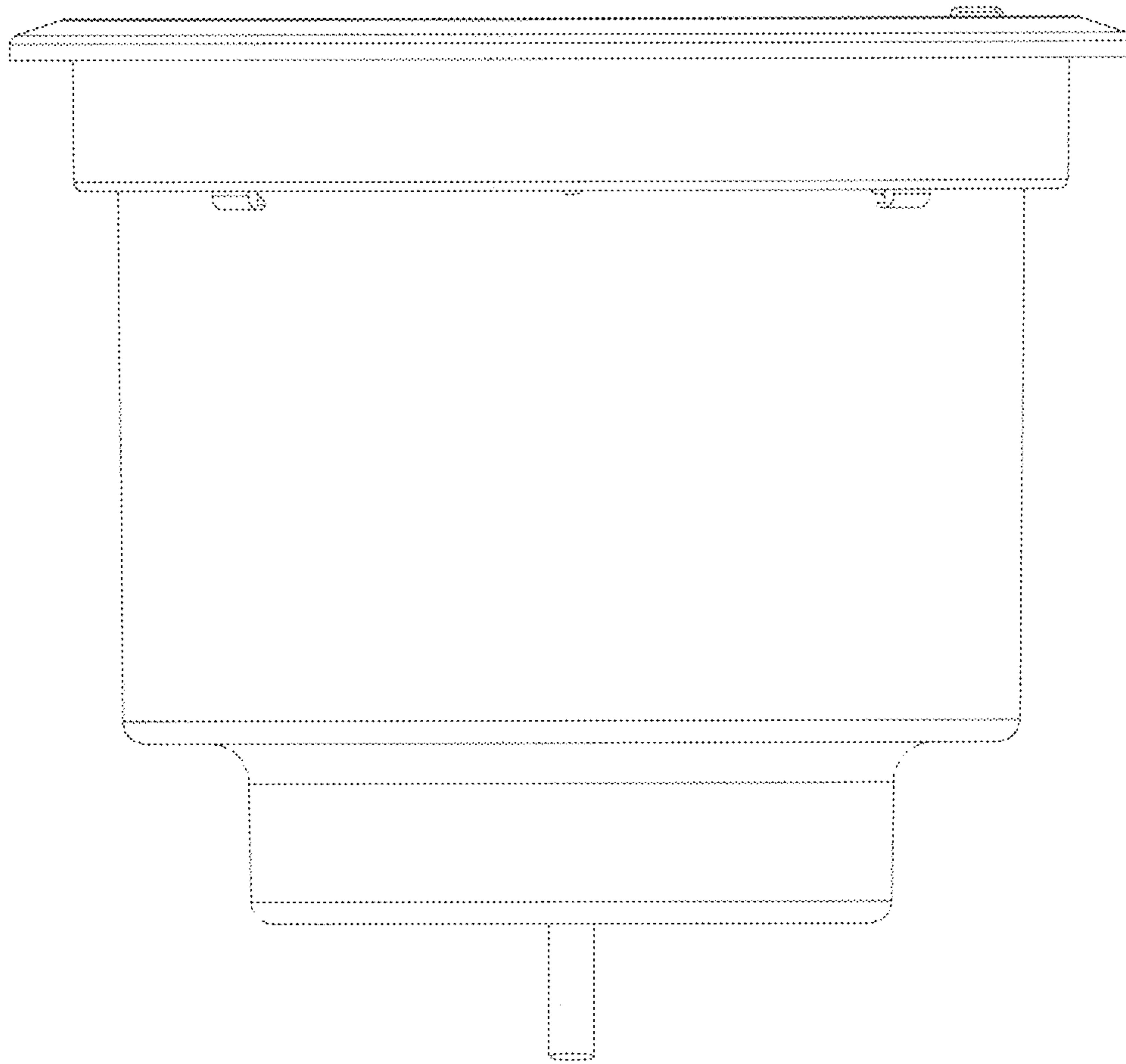


FIG. 14

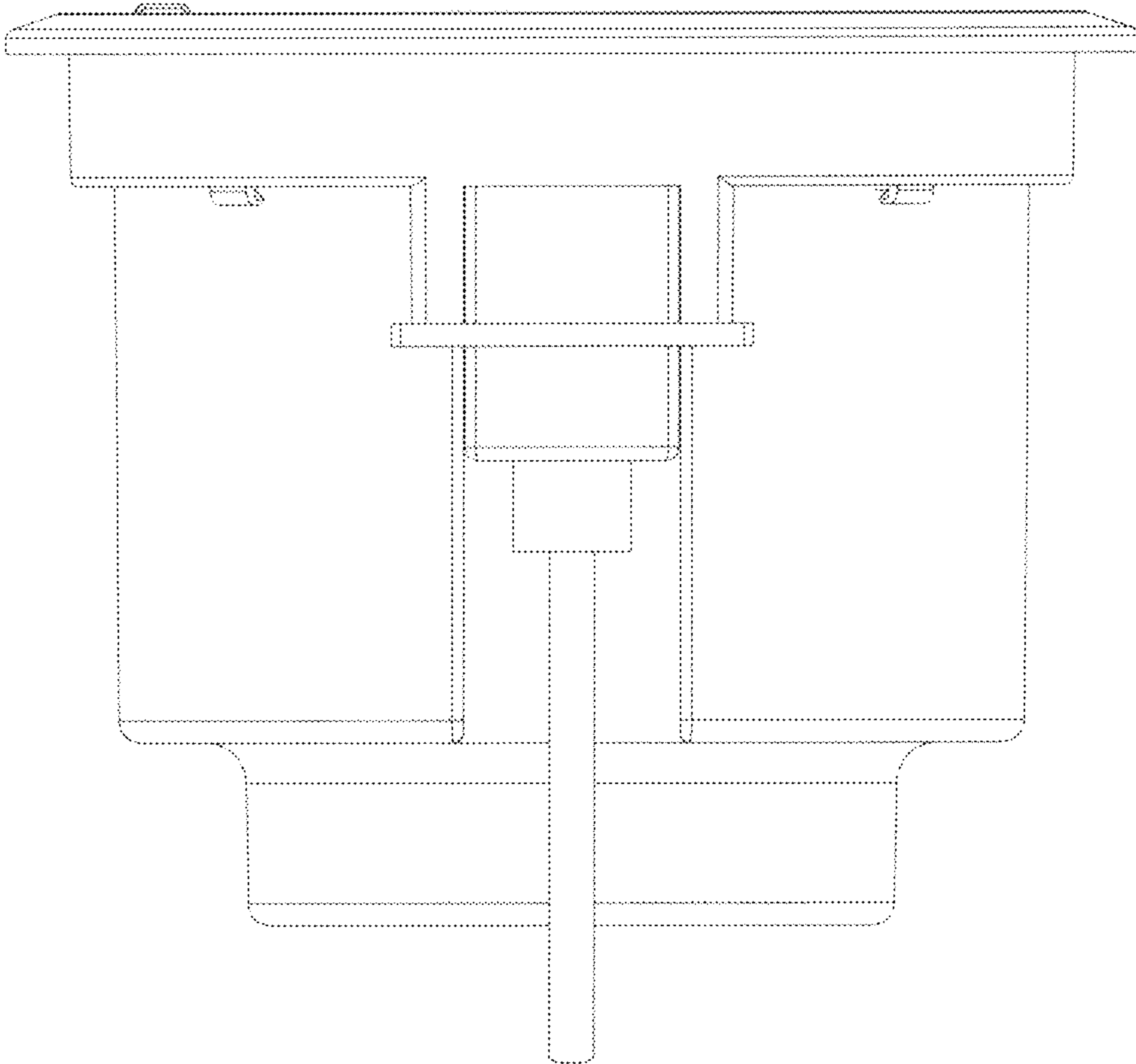


FIG. 15

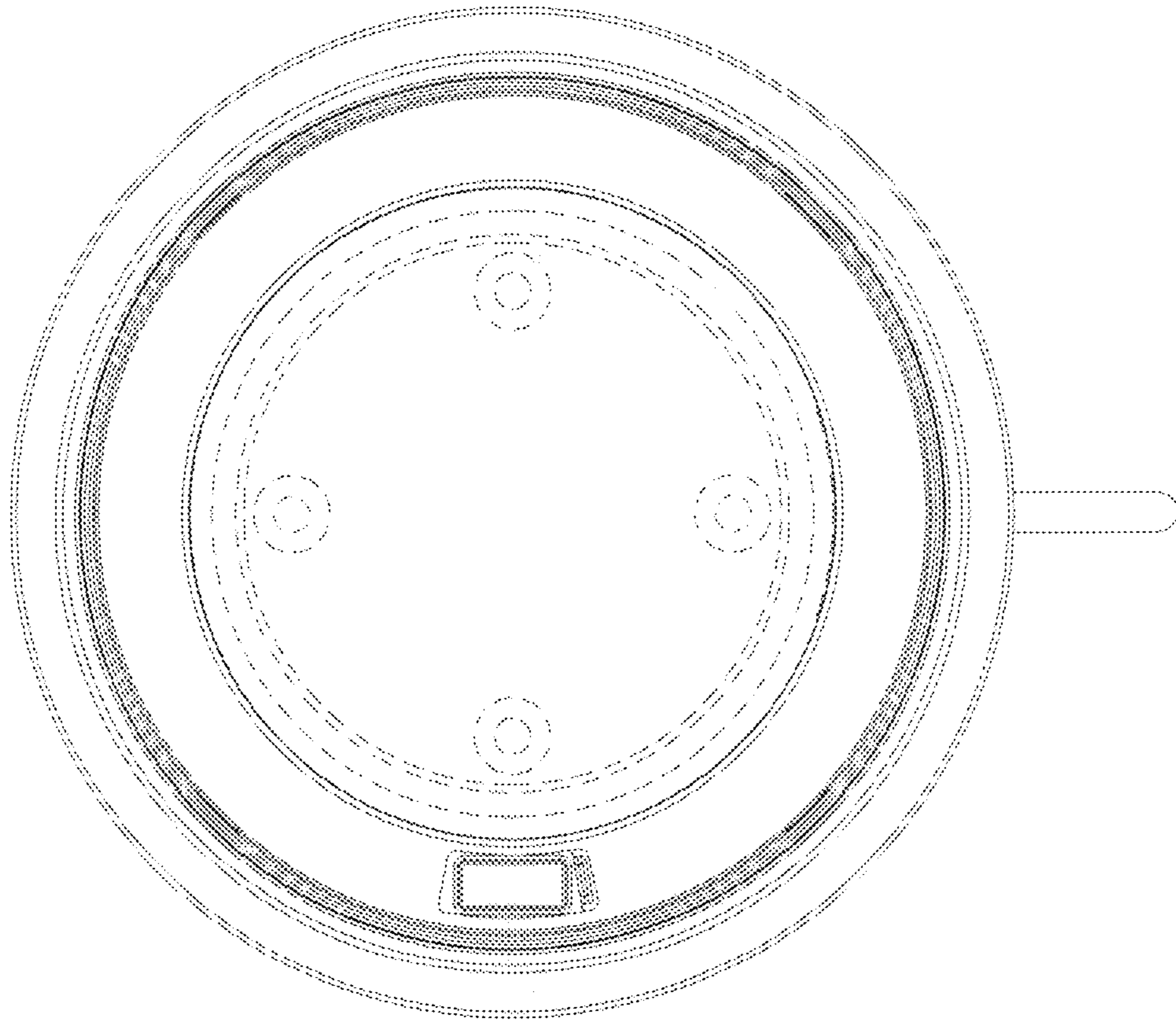


FIG. 16

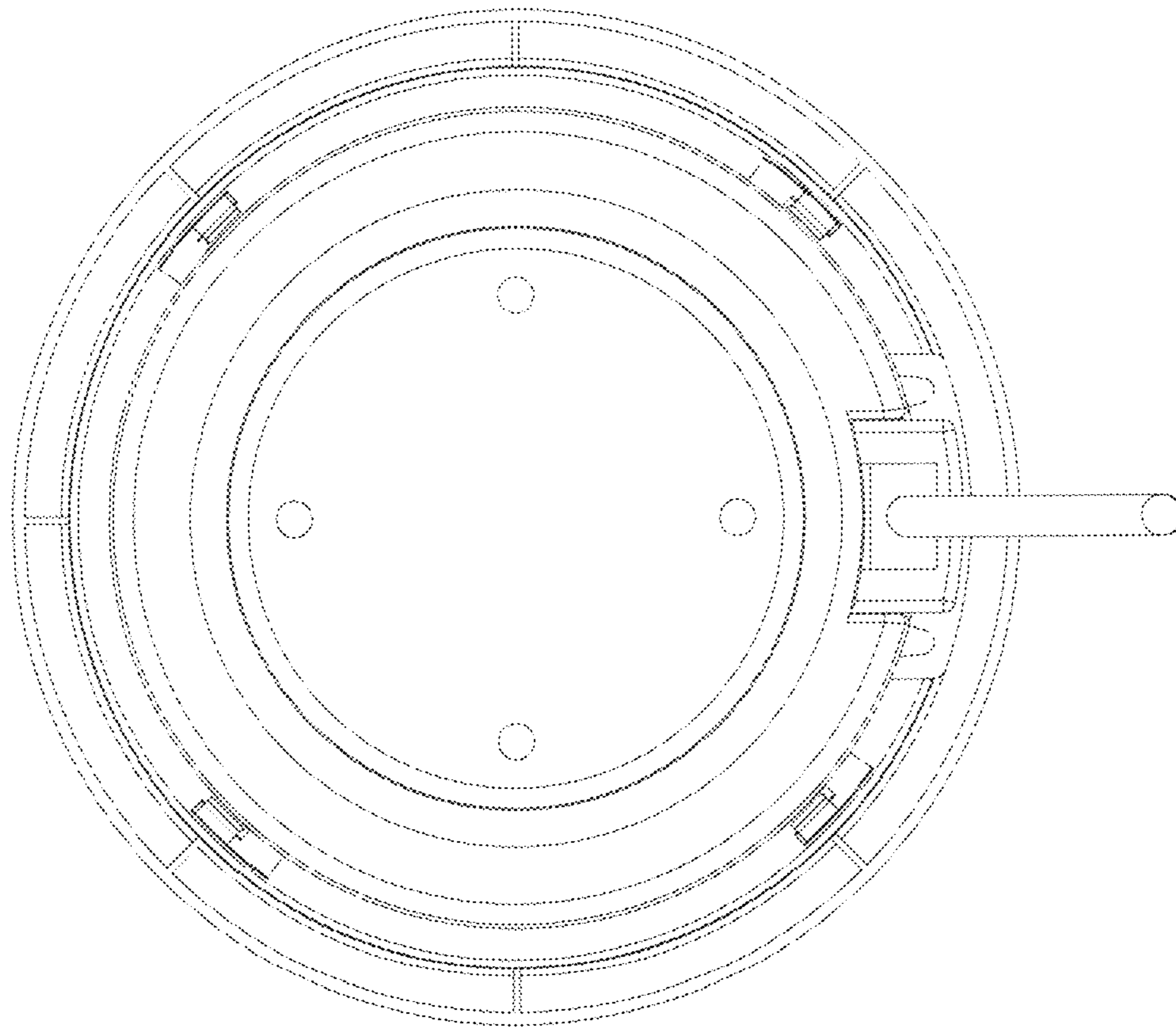


FIG. 17

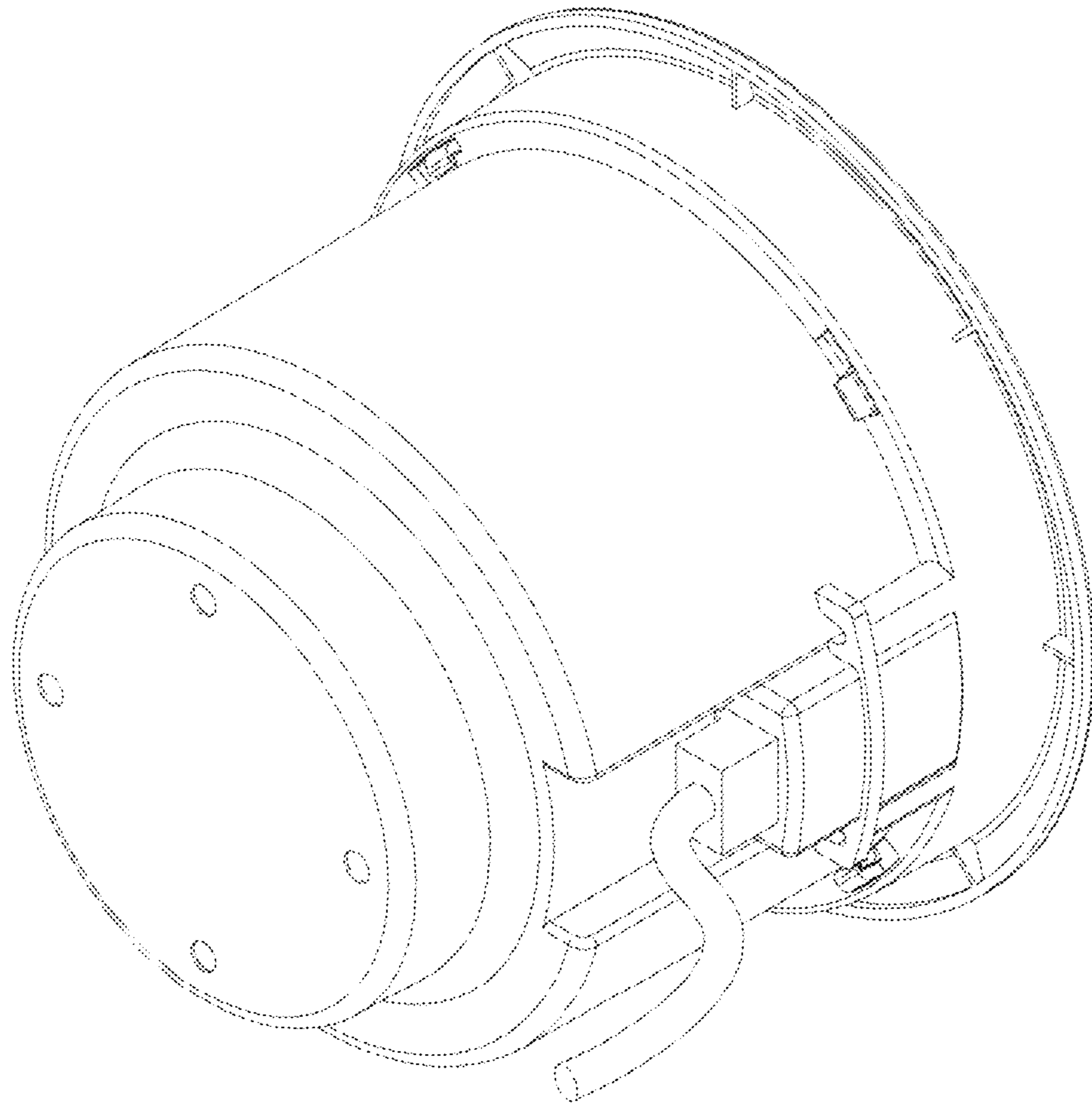


FIG. 18

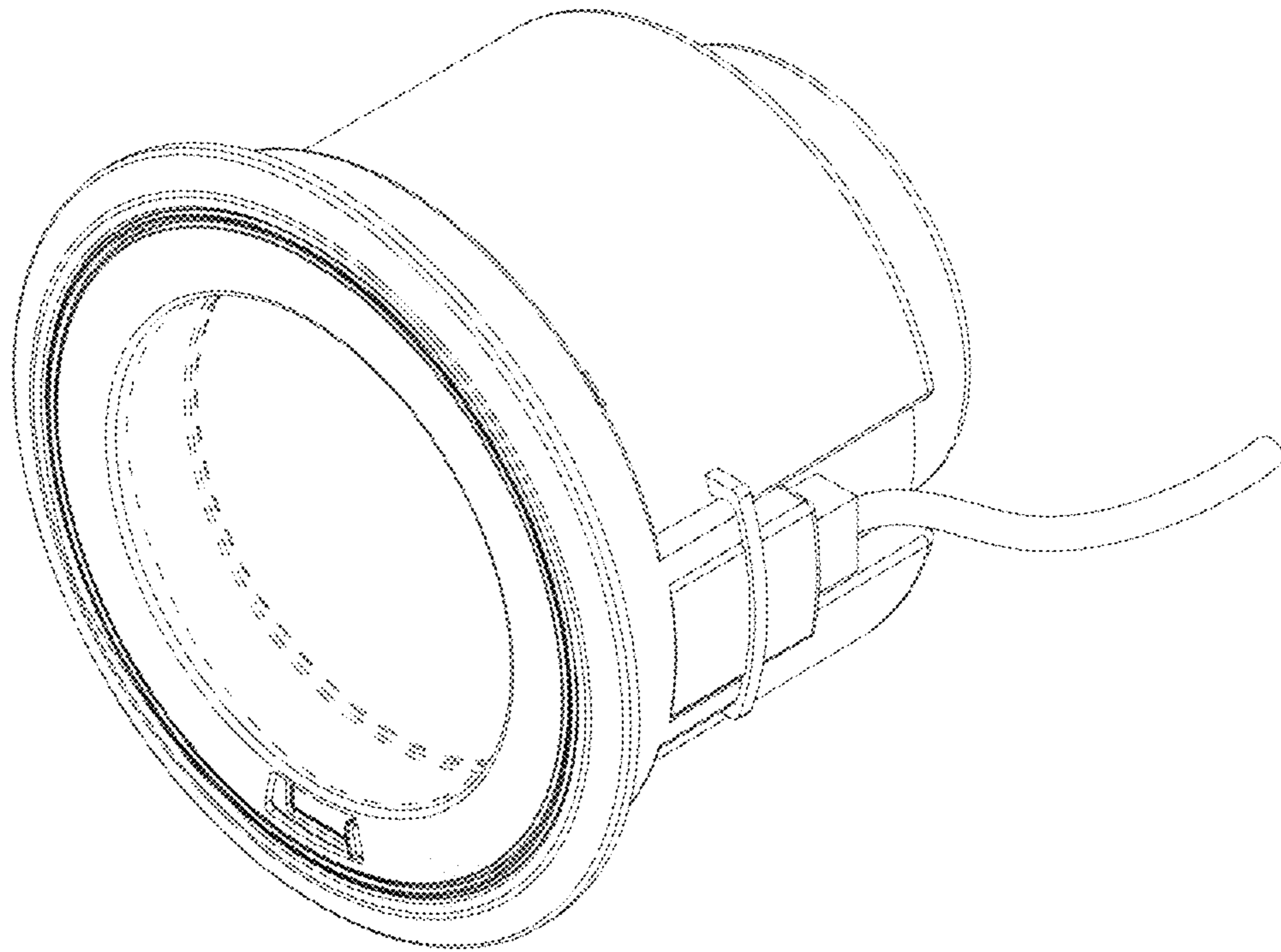


FIG. 19

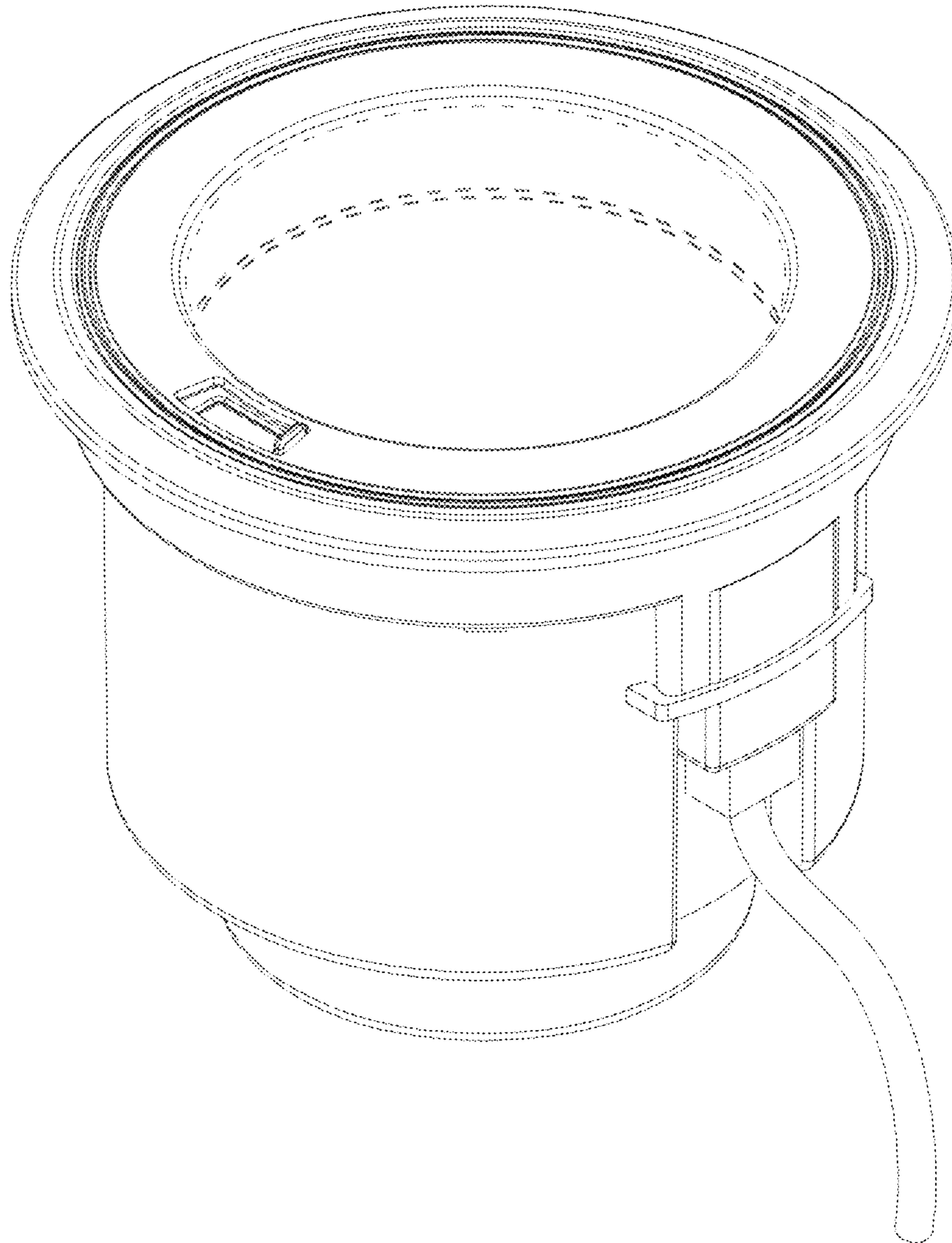


FIG. 20

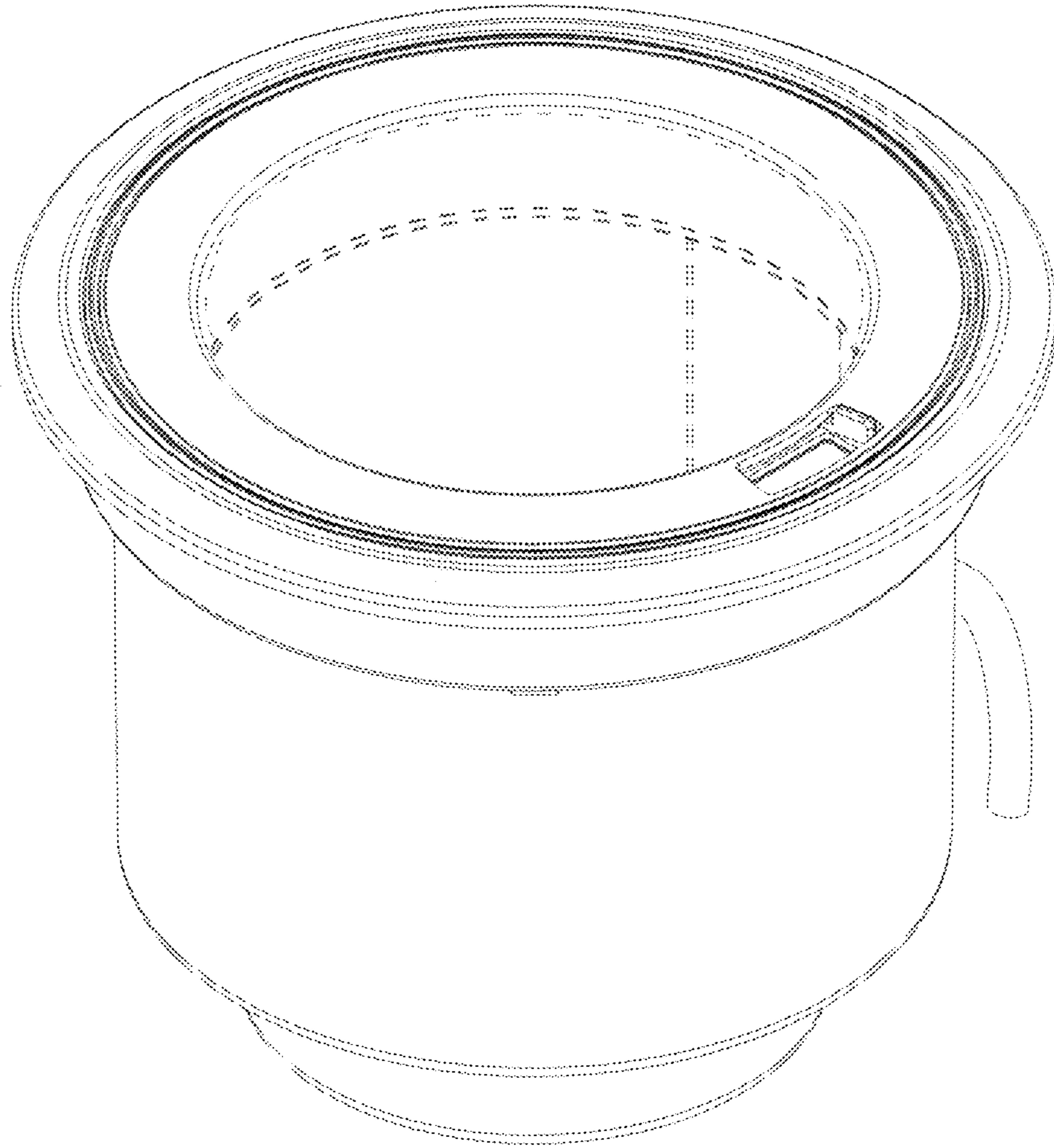


FIG. 21

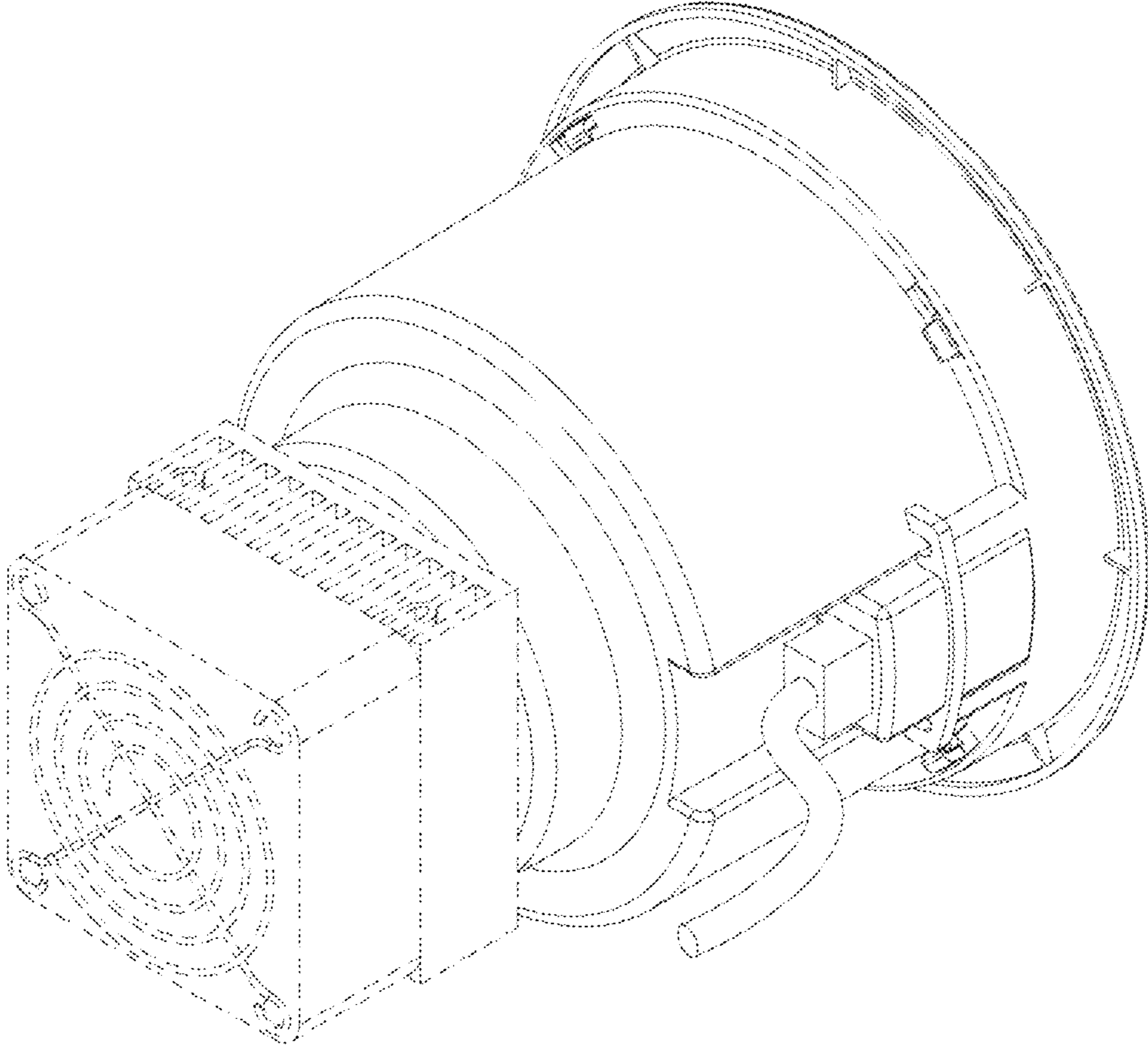


FIG. 22