



US00D979333S

(12) **United States Design Patent**  
**Osborne**

(10) **Patent No.:** **US D979,333 S**

(45) **Date of Patent:** **\*\* Feb. 28, 2023**

(54) **HAND HELD DRINKING TUMBLER**

D831,428 S \* 10/2018 Gibson ..... D7/533  
D870,785 S \* 12/2019 Wu ..... D15/150  
D878,867 S \* 3/2020 Gibson ..... D7/510  
D924,354 S \* 7/2021 Huang ..... D23/209

(71) Applicant: **James Patrick Osborne**, Alpharetta,  
GA (US)

(72) Inventor: **James Patrick Osborne**, Alpharetta,  
GA (US)

(\*\*) Term: **15 Years**

(21) Appl. No.: **29/784,099**

(22) Filed: **May 18, 2021**

(51) **LOC (14) Cl.** ..... **07-01**

(52) **U.S. Cl.**

USPC ..... **D7/510; D7/511; D7/523**

(58) **Field of Classification Search**

USPC ..... D7/507, 509, 510, 511, 523, 532, 392.1,  
D7/396.2, 514, 515, 300, 300.1, 624.1,  
D7/624.2, 387; D9/503, 504, 517, 434,  
D9/557, 530; D8/38, 34; D20/15;  
D21/391, 392

CPC ..... A47G 19/22; A47G 19/2288; A47G  
19/2205; A47G 19/2211; A47G 19/2216;  
A47G 19/2222; A47G 19/2227; A47J  
41/02; A47J 41/028

See application file for complete search history.

(56) **References Cited**

**U.S. PATENT DOCUMENTS**

4,552,040 A \* 11/1985 Bang ..... B25B 13/52  
81/3.43  
D694,577 S \* 12/2013 Lynn ..... D7/394  
D792,159 S \* 7/2017 Gibson ..... D7/533  
9,730,539 B2 8/2017 Bolland  
D821,145 S 6/2018 Gibson

**OTHER PUBLICATIONS**

<https://www.oreillyauto.com/detail/c/original-equipment/filters/engine-oil-filter/80c2d8dbb188/original-equipment-toyota-oil-filter/pgf0/90915yzzg2> Website visited on Jul. 19, 2022 (Year: 2022).\*  
<https://a.co/d/gcJHXWt> Oct. 4, 2021 (Year: 2021).\*

\* cited by examiner

*Primary Examiner* — Jae Liang

*Assistant Examiner* — Ji Sun Yoon

(74) *Attorney, Agent, or Firm* — Theodore Heske, III

(57) **CLAIM**

The ornamental design for a hand held drinking tumbler, as shown and described.

**DESCRIPTION**

FIG. 1 is a perspective view of a hand held drinking tumbler showing my new design;

FIG. 2 is a front view thereof, the rear view being identical to the front view;

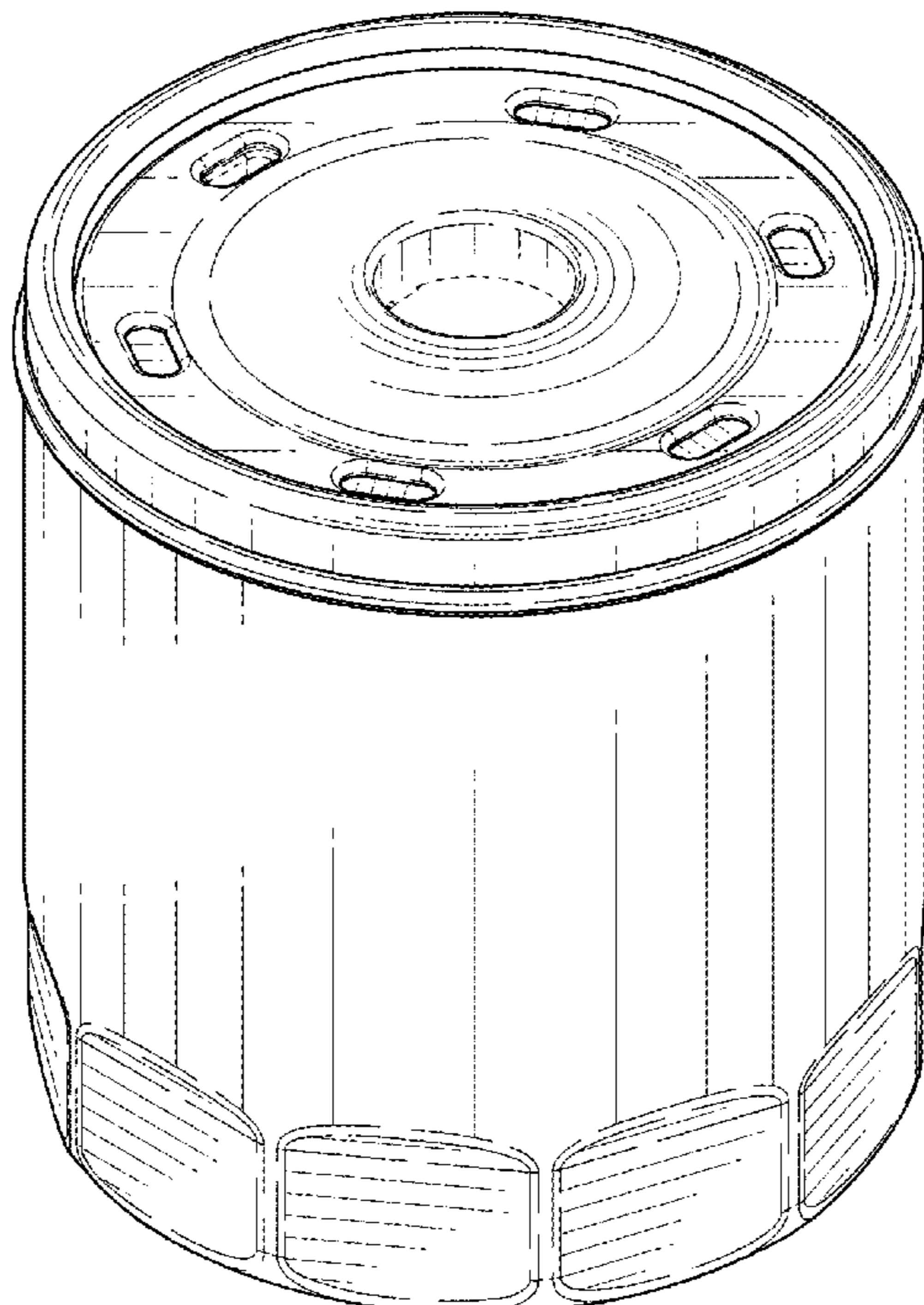
FIG. 3 is a right side elevational view thereof, the left side elevational view being identical to the right side elevational view;

FIG. 4 is a top plan view thereof; and,

FIG. 5 is a bottom plan view thereof.

The broken lines illustrate portions of the Hand Held Drinking Tumbler that form no part of the claimed design.

**1 Claim, 3 Drawing Sheets**



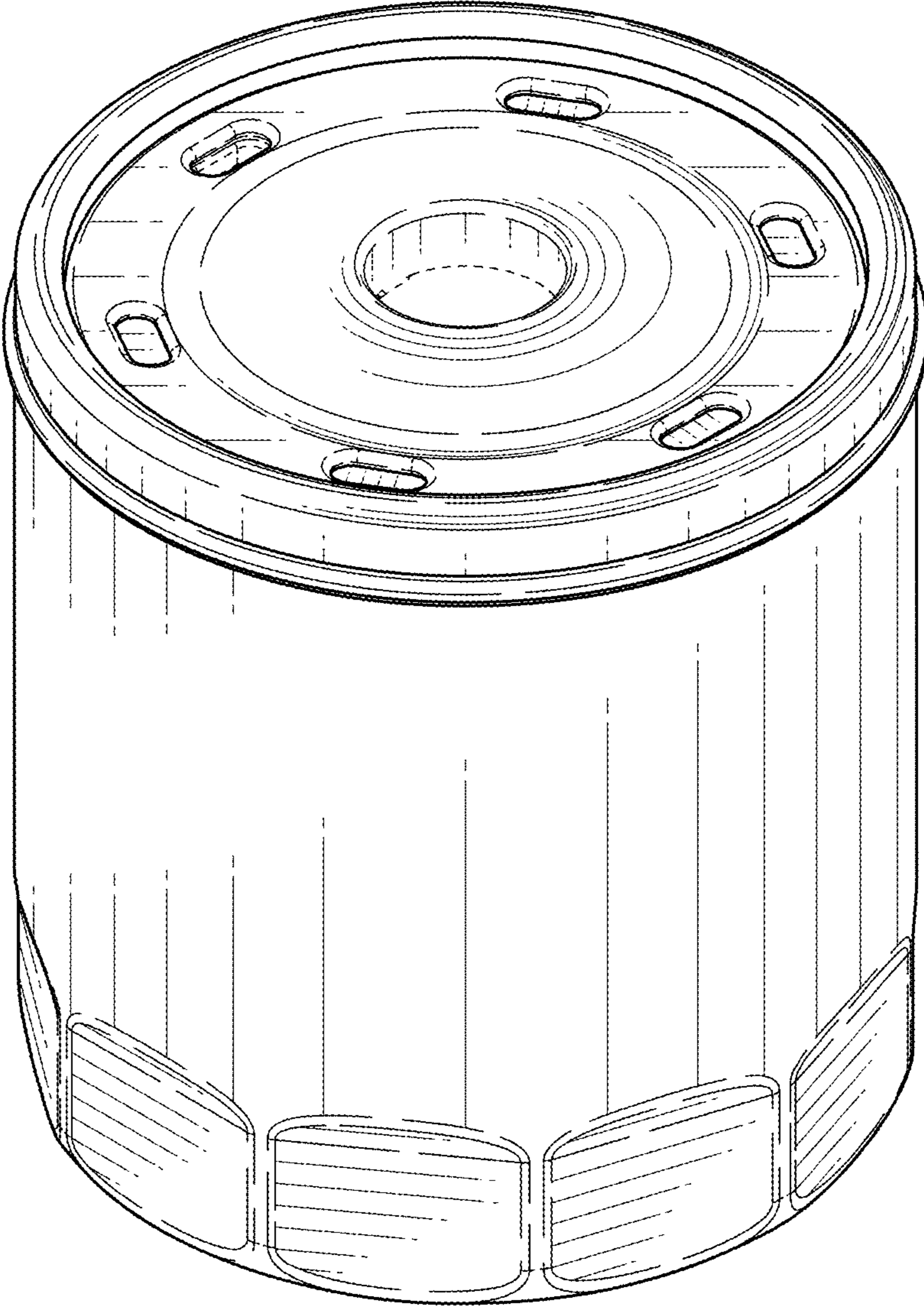


FIG. 1

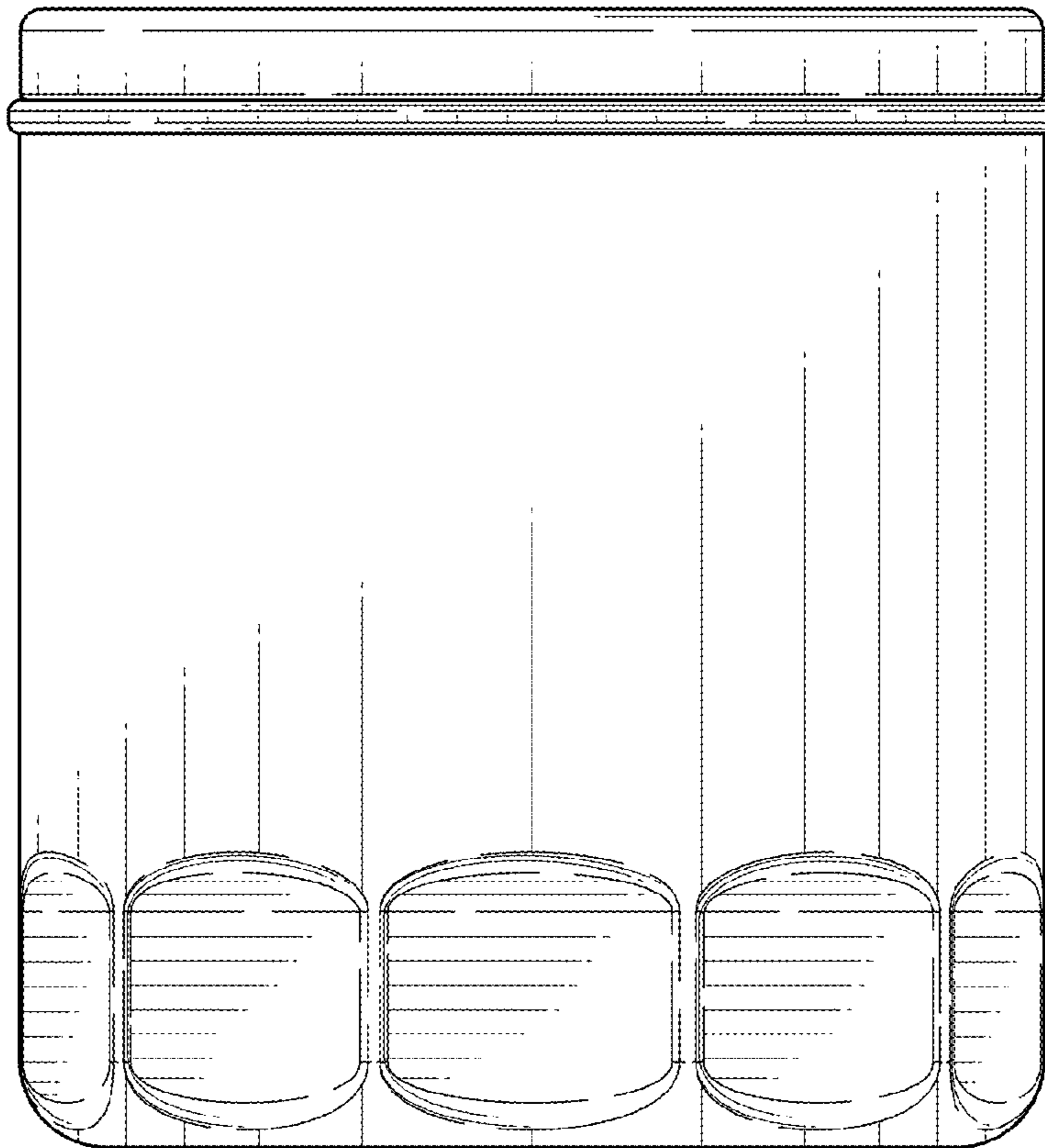


FIG. 2

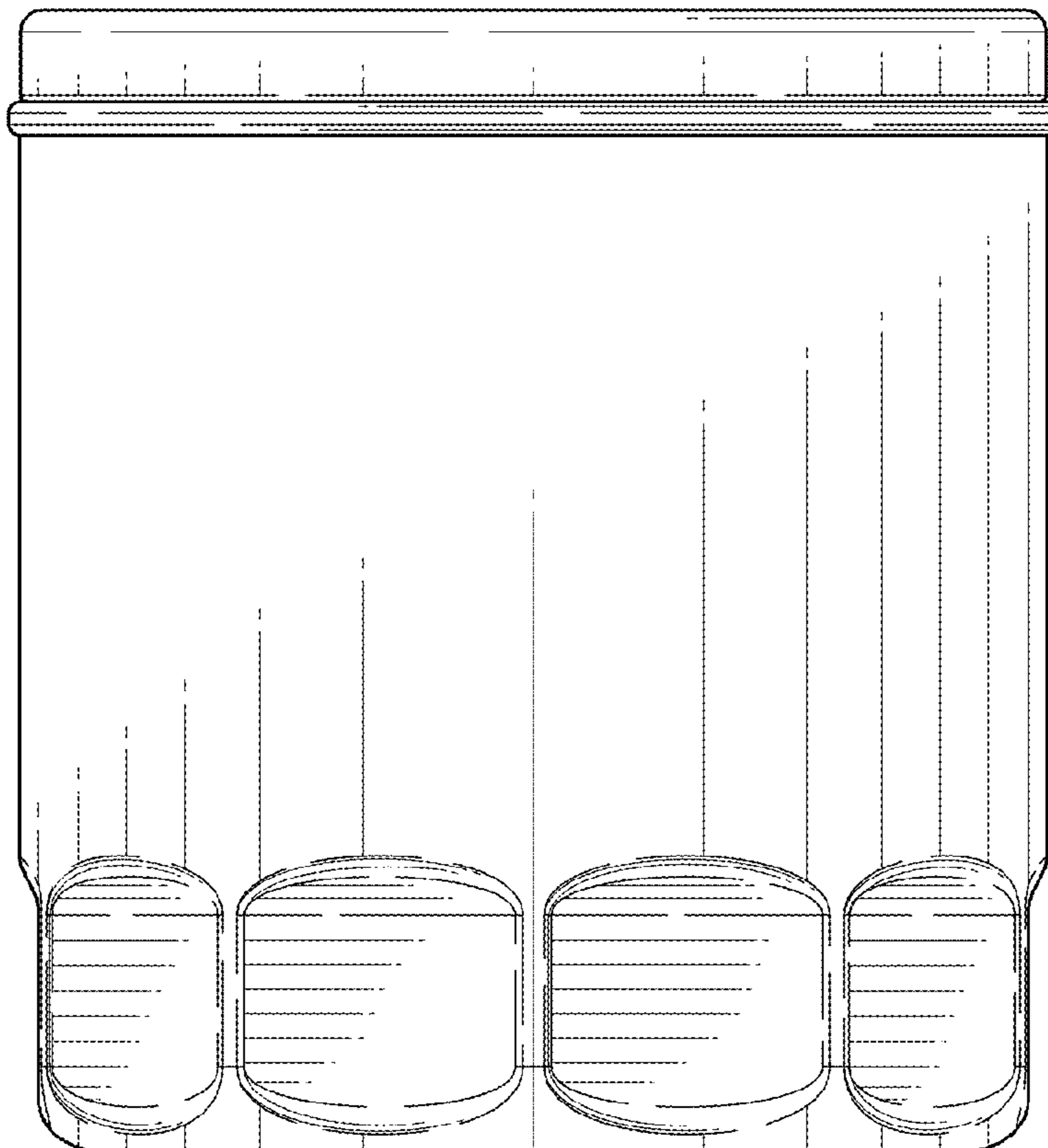


FIG. 3



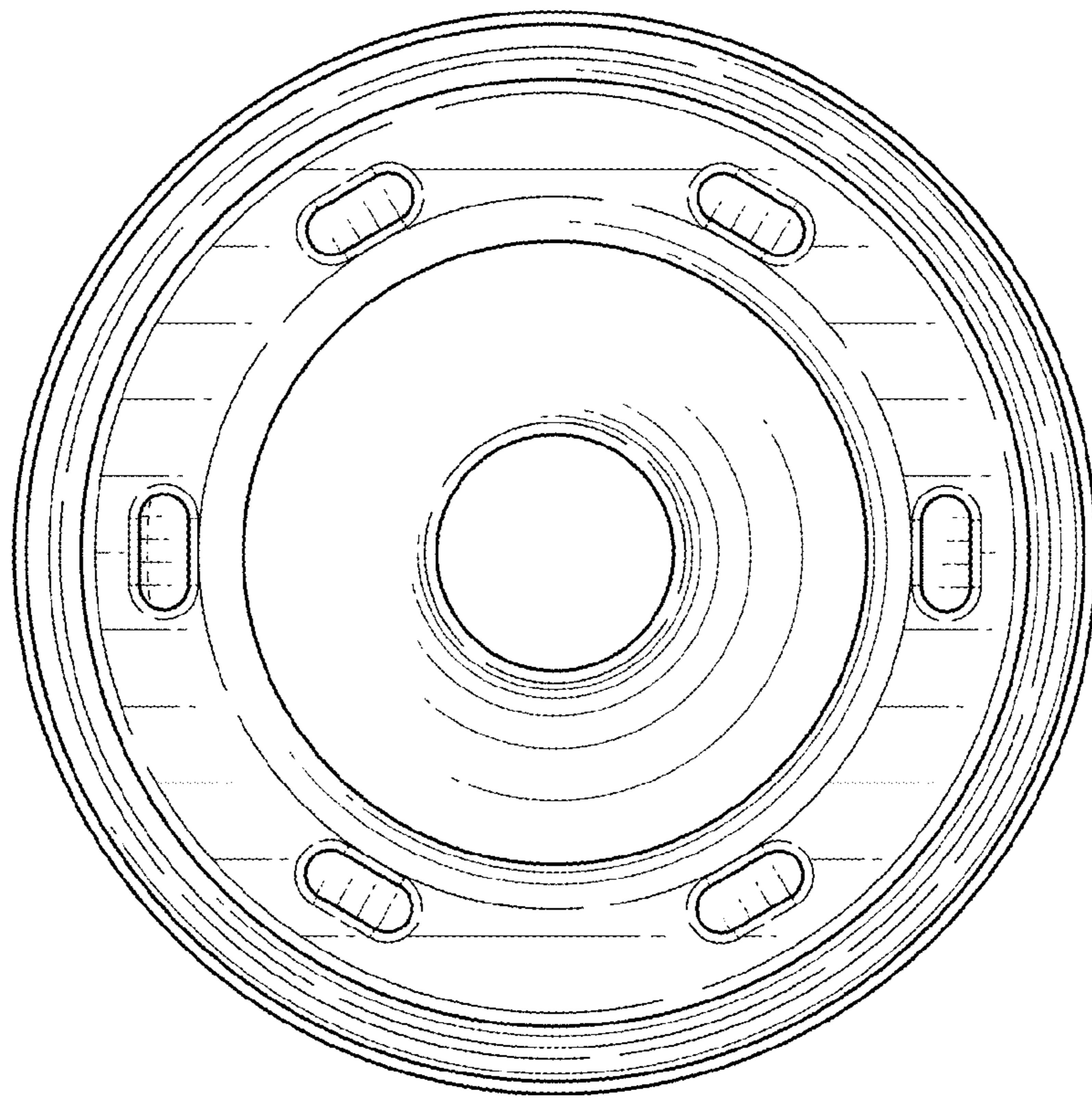


FIG. 4

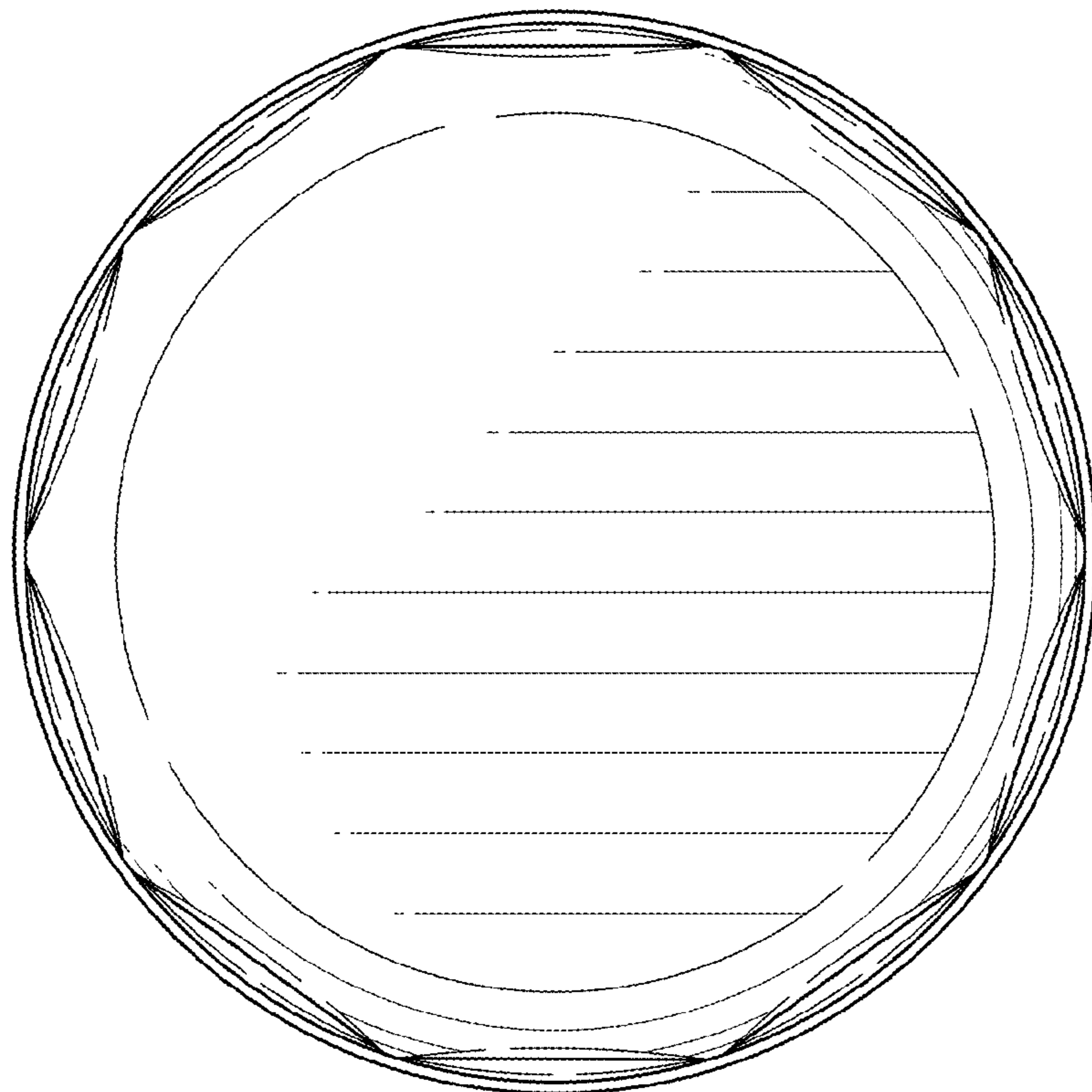


FIG. 5