



US00D979331S

(12) **United States Design Patent**
Hingorani

(10) **Patent No.:** **US D979,331 S**

(45) **Date of Patent:** **** Feb. 28, 2023**

(54) **DECANTER WITH INTEGRATED DRINKING GLASS**

(74) *Attorney, Agent, or Firm* — Ward Law Office LLC; Jacob M. Ward

(71) Applicant: **Arun Hingorani**, Sterling Heights, MI (US)

(57) **CLAIM**

The ornamental design for a decanter with integrated drinking glass, as shown and described.

(72) Inventor: **Arun Hingorani**, Sterling Heights, MI (US)

DESCRIPTION

(**) Term: **15 Years**

(21) Appl. No.: **29/762,095**

(22) Filed: **Dec. 15, 2020**

(51) **LOC (14) Cl.** **07-01**

(52) **U.S. Cl.**
USPC **D7/507; D7/523**

(58) **Field of Classification Search**
USPC D3/202; D9/612, 680; D22/116, 108;
D27/183; D7/507, 514, 523, 509, 510,
(Continued)

FIG. 1 is a top perspective view of my new design for a decanter with integrated drinking glass;
FIG. 2 is a bottom perspective view thereof;
FIG. 3 is a top plan view thereof;
FIG. 4 is a bottom plan view thereof;
FIG. 5 is a front elevational view thereof;
FIG. 6 is a top perspective view of my new design for a decanter with integrated drinking glass, shown with the integrated drinking glass removed for clarity of disclosure;
FIG. 7 is a front elevational view of thereof;
FIG. 8 is a top plan view thereof;
FIG. 9 is a bottom plan view thereof;
FIG. 10 is a top perspective view of my new design for a decanter with integrated drinking glass, shown with the decanter removed for clarity of disclosure;
FIG. 11 is a bottom perspective view thereof;
FIG. 12 is a front elevational view thereof;
FIG. 13 is a top plan view thereof;
FIG. 14 is a bottom plan view thereof;
FIG. 15 is a top perspective view of a sealing member, shown separated from a drinking glass portion of the design for clarity of disclosure;
FIG. 16 is a front elevational view thereof;
FIG. 17 is a top plan view thereof;
FIG. 18 is a bottom plan view thereof;
FIG. 19 is a top perspective view of a drinking glass, shown separated from a sealing member of the design for clarity of disclosure;
FIG. 20 is a front elevational view thereof;
FIG. 21 is a top plan view thereof; and,
FIG. 22 is a bottom plan view thereof.

(56) **References Cited**

U.S. PATENT DOCUMENTS

D113,154 S * 1/1939 Wellman 215/383
D172,474 S * 6/1954 Levi D7/317
(Continued)

FOREIGN PATENT DOCUMENTS

CN 304961337 * 12/2018
GB 1007056 * 1/1983
(Continued)

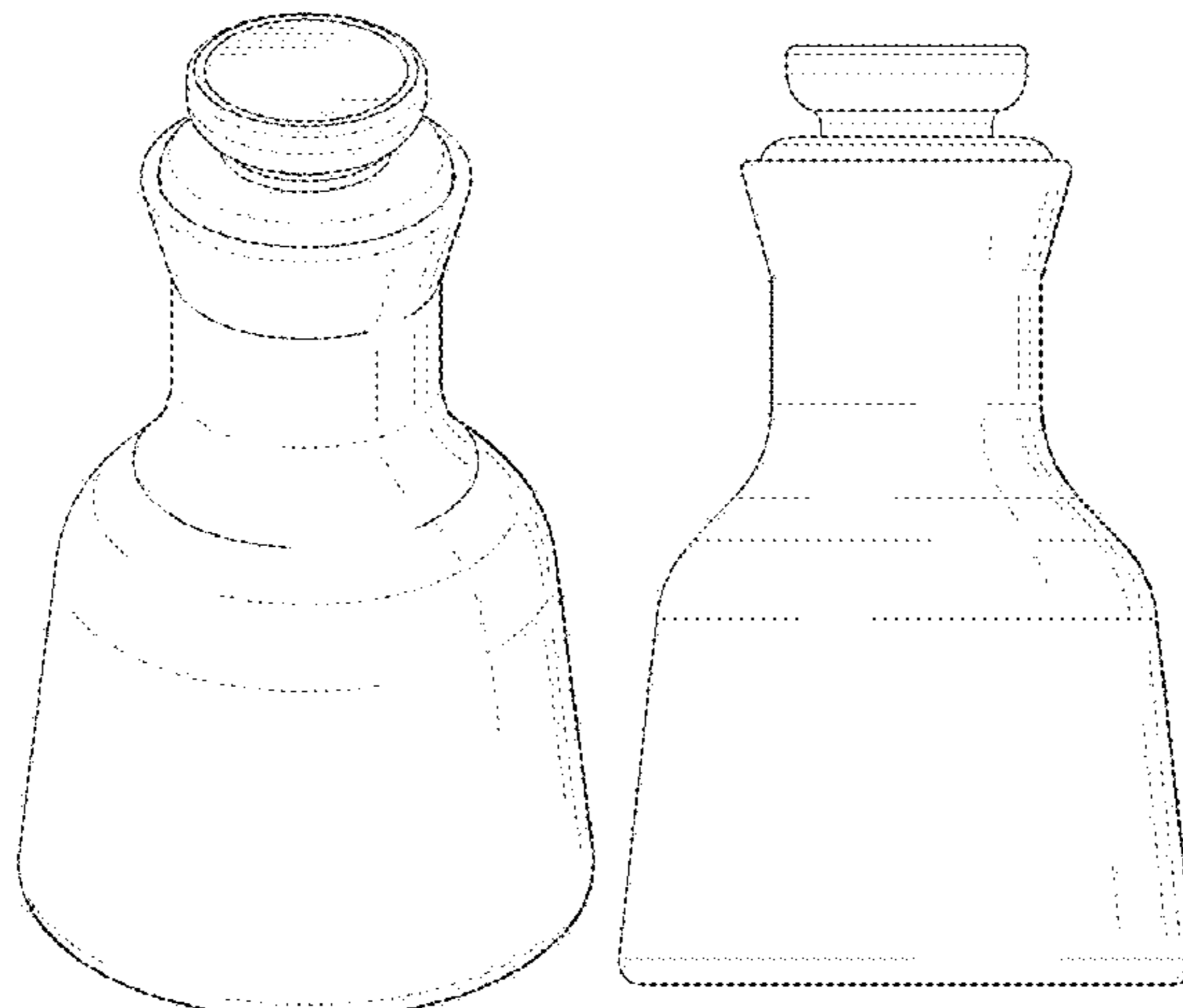
OTHER PUBLICATIONS

Manual [online] URL: <https://web.archive.org/web/20170730112659/http://www.manual.is/cocktails/> (site visited: Jun. 22, 2022) (Year: 2017).*

(Continued)

Primary Examiner — Jae Liang
Assistant Examiner — Tia Ruth-Renee Polidori

The ornamental design which is claimed is shown in solid lines in the drawings. The portions of the decanter with integrated drinking glass shown in broken lines form no part
(Continued)



of the claimed design. A rear elevational view, a right side elevational view, and a left side elevational view of the decanter with integrated drinking glass are not shown because they are identical to the front elevational view shown in FIG. 5.

A rear elevational view, a right side elevational view, and a left side elevational view of the decanter are not shown because they are identical to the front elevational view shown in FIG. 7.

A rear elevational view, a right side elevational view, and a left side elevational view of the integrated drinking glass are not shown because they are identical to the front elevational view shown in FIG. 12.

A rear elevational view, a right side elevational view, and a left side elevational view of the sealing member are not shown because they are identical to the front elevational view shown in FIG. 16.

A rear elevational view, a right side elevational view, and a left side elevational view of the drinking glass portion are not shown because they are identical to the front elevational view shown in FIG. 20.

1 Claim, 5 Drawing Sheets

(58) **Field of Classification Search**

USPC D7/511, 392.1, 396.1, 396.2, 608, 900,
D7/526, 531, 505, 392, 537, 519, 529,
D7/213

CPC . A47G 19/2205; A47G 19/2272; A47J 41/00;
A47J 45/072; Y10S 220/903; B65D
21/02; B65D 43/00

See application file for complete search history.

(56) **References Cited**

U.S. PATENT DOCUMENTS

D211,563 S * 7/1968 Cherry D9/500
D211,978 S * 8/1968 Douglas D7/300
D226,443 S * 3/1973 Achenbach D7/523

D233,584 S * 11/1974 Salviato 211/74
D233,982 S * 12/1974 De Graw D9/500
D243,229 S * 2/1977 McDonald D9/500
D258,047 S * 1/1981 Strand D7/300
D258,048 S * 1/1981 Strand D7/300
D264,305 S * 5/1982 Pardo D9/500
D264,306 S * 5/1982 Pardo D9/500
D265,058 S * 6/1982 Ewry D9/530
D290,228 S * 6/1987 Conrad D9/500
D344,212 S * 2/1994 Morgan D7/608
D431,418 S * 10/2000 Moran D7/523
D434,272 S * 11/2000 Johansen D7/532
D482,571 S * 11/2003 Leinenweber D7/509
D616,705 S * 6/2010 DuBois D7/510
D652,680 S * 1/2012 Straka D7/505
D654,794 S * 2/2012 Morais D9/500
D665,231 S * 8/2012 Pola D7/523
D707,126 S * 6/2014 Pizzolo D9/520
D792,157 S * 7/2017 Di Giuseppantonio D7/523
D812,434 S * 3/2018 Gerner D7/608
D813,039 S * 3/2018 Lauret D9/520
D835,464 S * 12/2018 Domènech D7/509
D851,457 S * 6/2019 Han D9/503
D856,081 S * 8/2019 Rogers D9/503
D881,016 S * 4/2020 Hudson D9/566
D883,089 S * 5/2020 Welch D9/500
D887,211 S * 6/2020 Sitwell D7/532
D891,261 S * 7/2020 Reed D9/558
D934,078 S * 10/2021 Cornehl D9/516
2022/0186163 A1 * 6/2022 Hingorani C12G 1/00

FOREIGN PATENT DOCUMENTS

GB 1008552 * 3/1983
WO WOD052335-011 * 9/2000

OTHER PUBLICATIONS

Orvis [online] URL: <https://www.orvis.com/personal-cocktail-flask/3CBJ0000.html> (site visited: Jun. 22, 2022) (Year: 2021).*

2Modern [online] URL: https://www.2modern.com/products/mr-mrs-night-water-set?variant=39618219638829&gclid=EAIaIQobChMloYbPtaPg-glVDo7ICh3bWwHsEAQYFSABEgLIqPD_BwE (site visited: Oct. 14, 2022) (Year: 2019).*

* cited by examiner

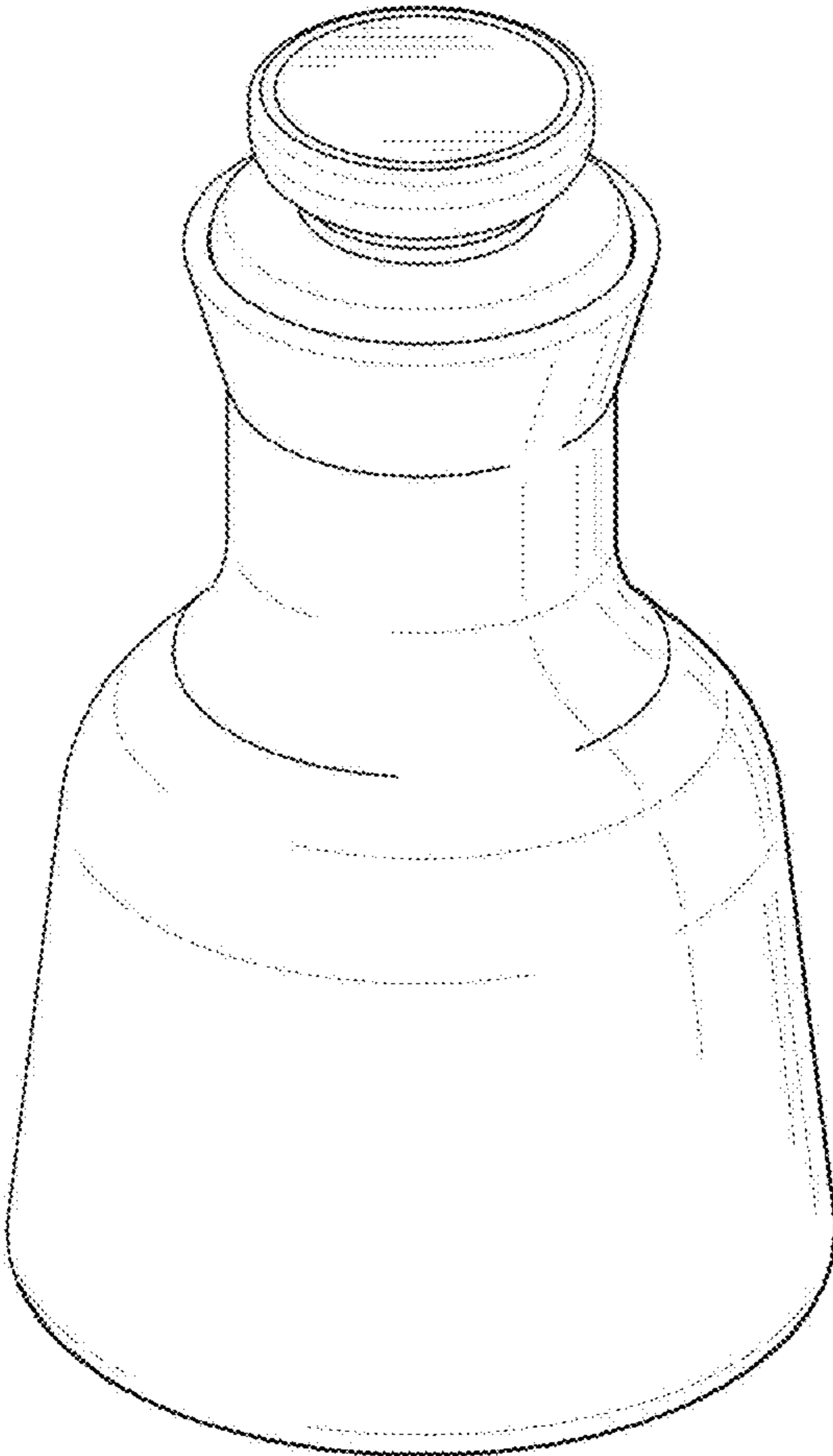


FIG. 1

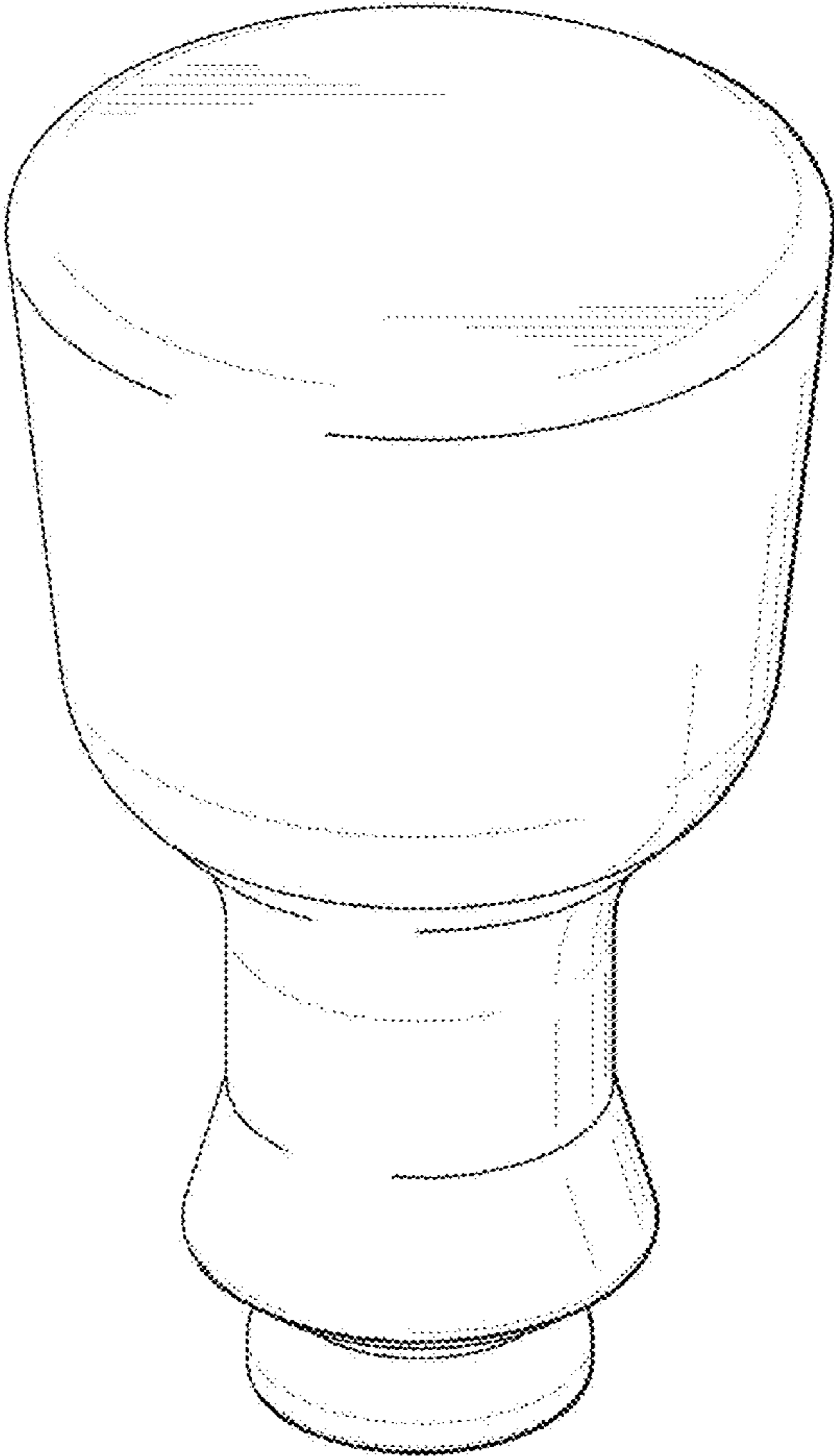


FIG. 2

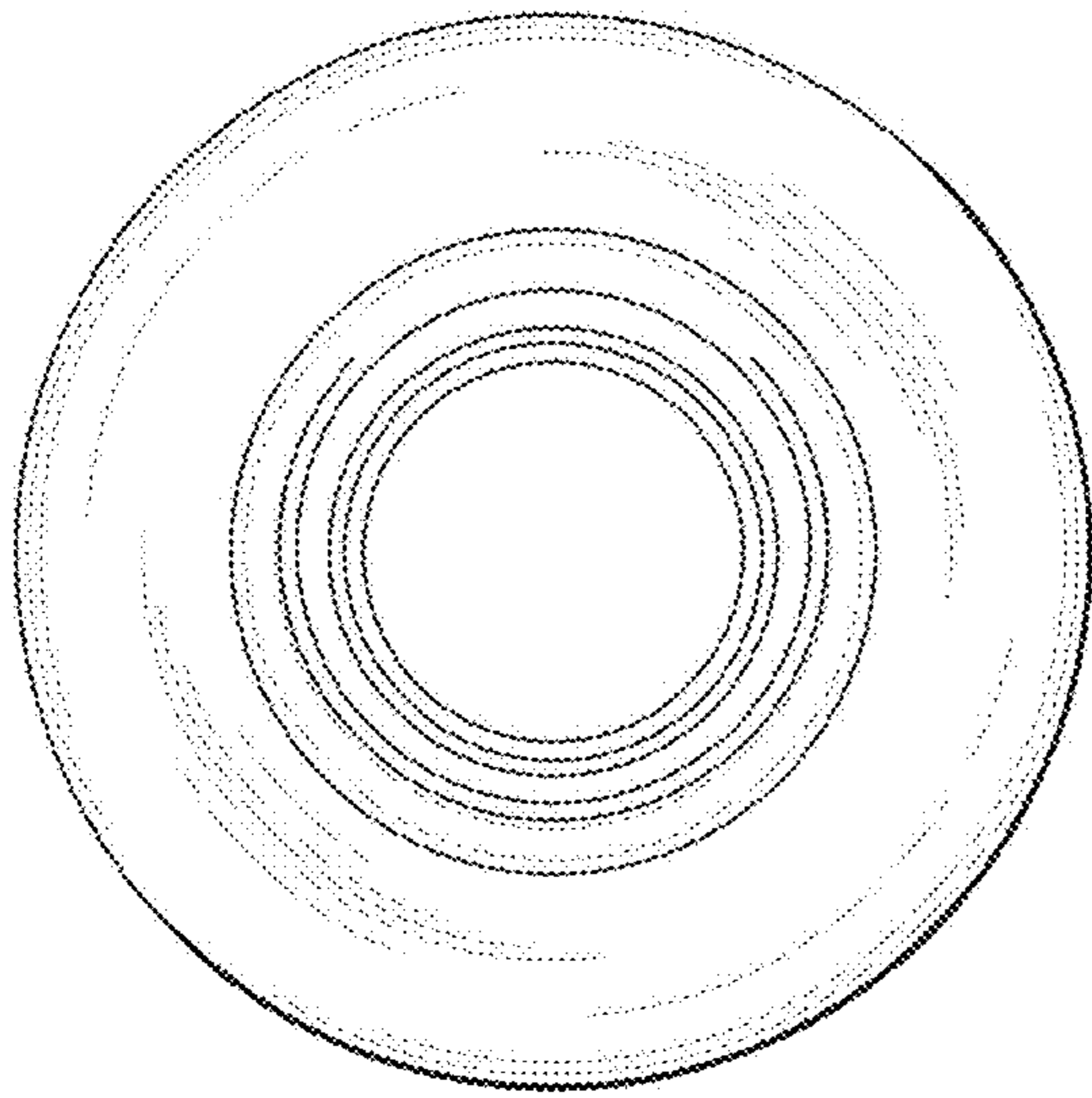


FIG. 3

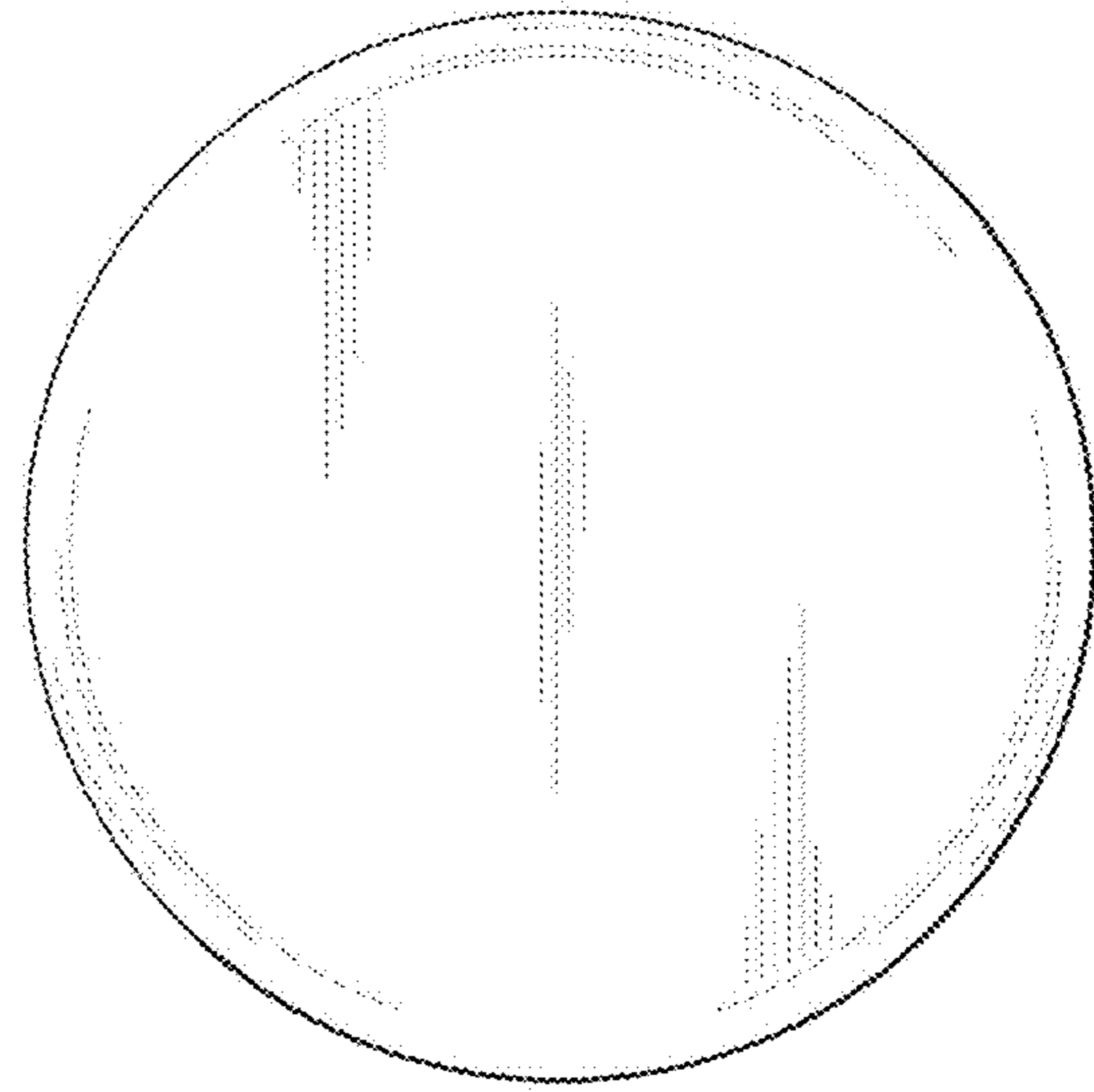


FIG. 4

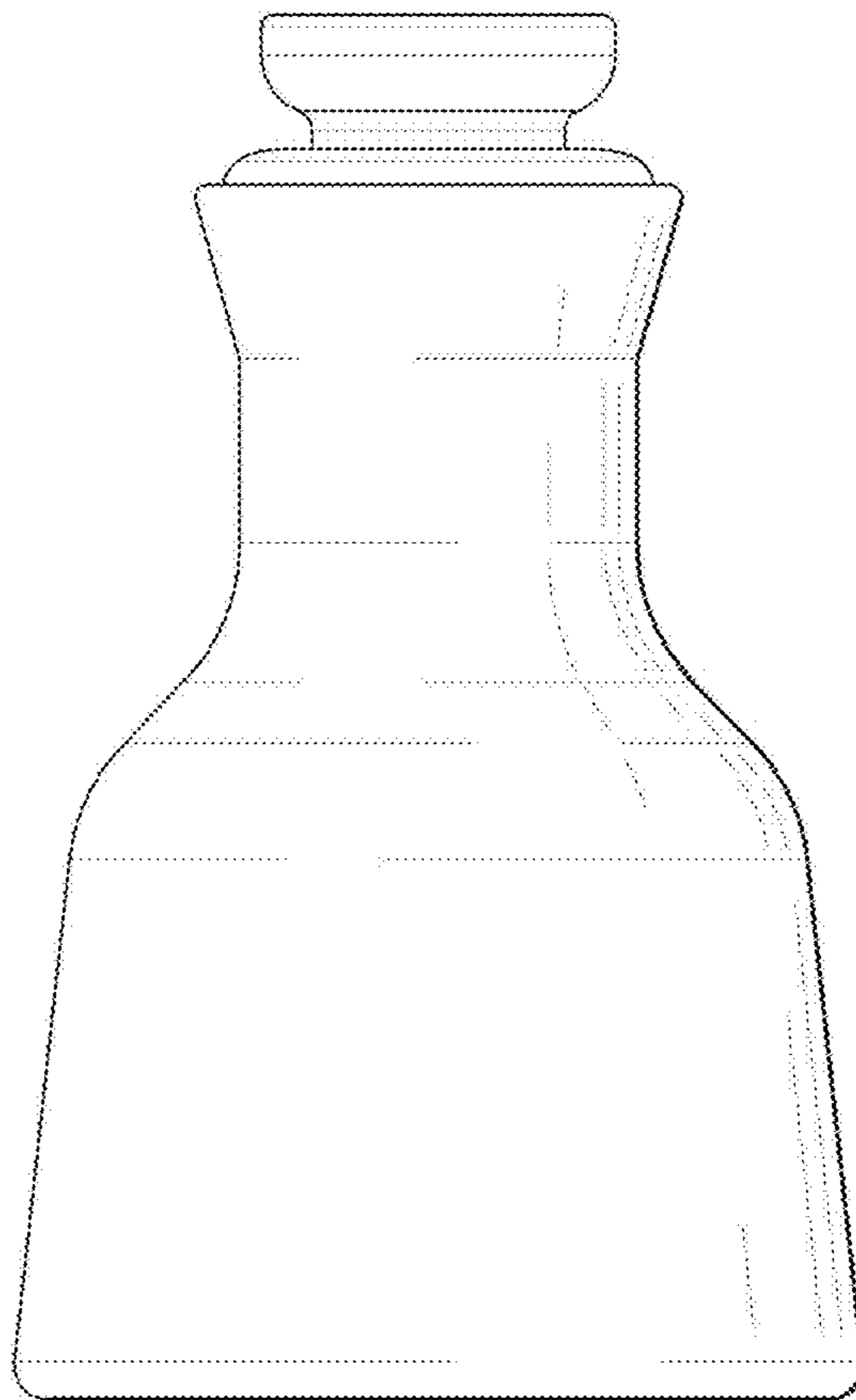


FIG. 5

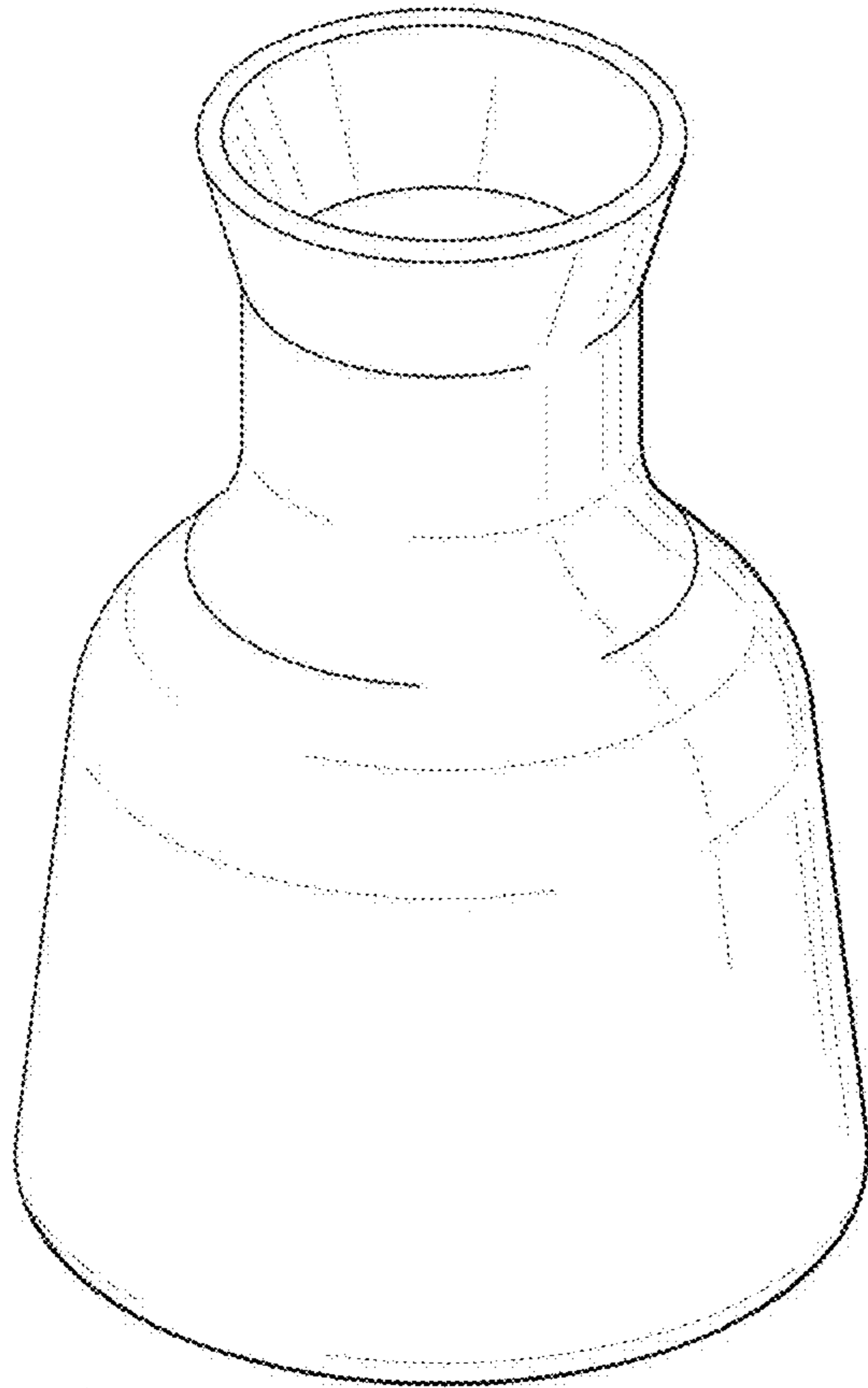


FIG. 6

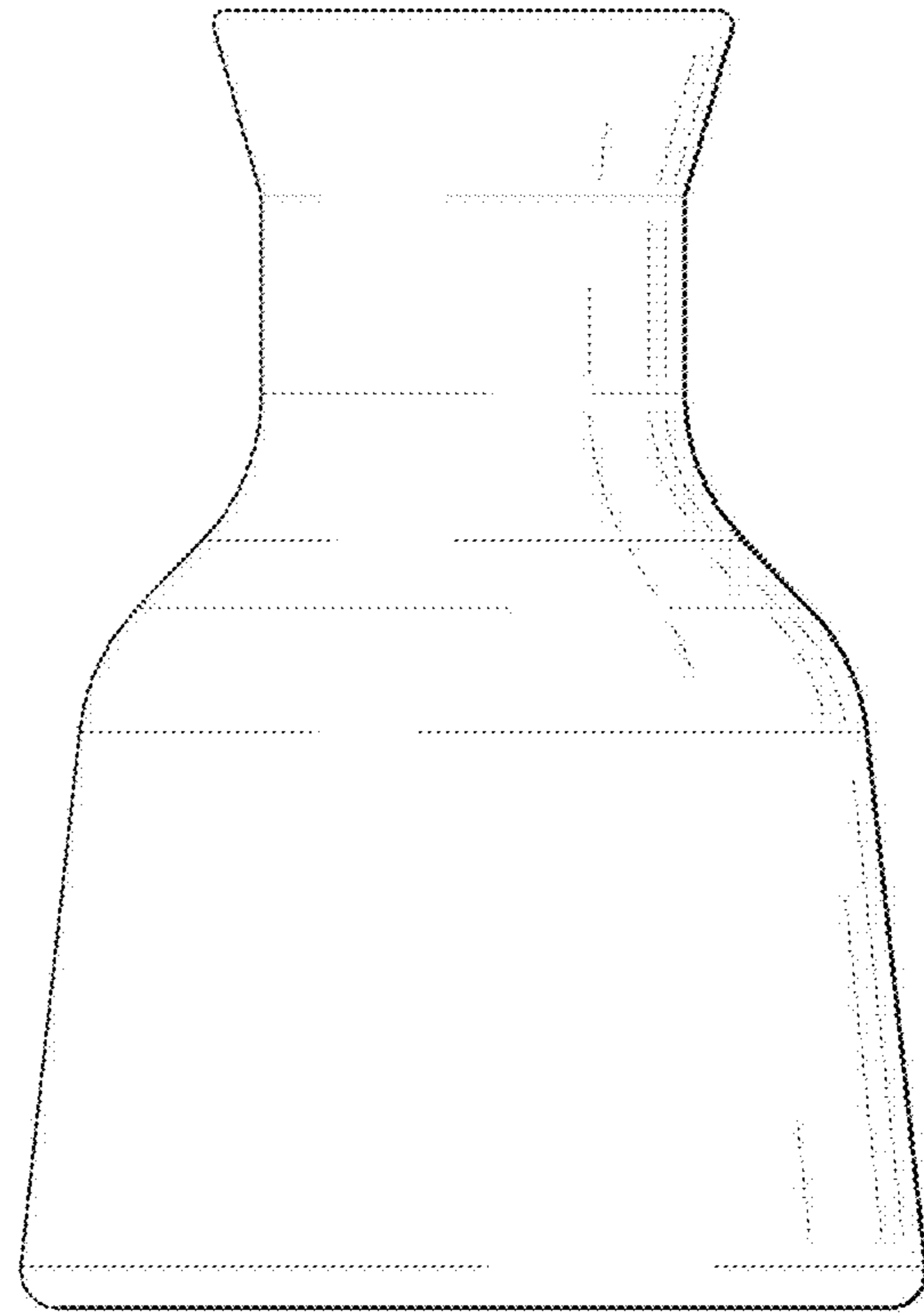


FIG. 7

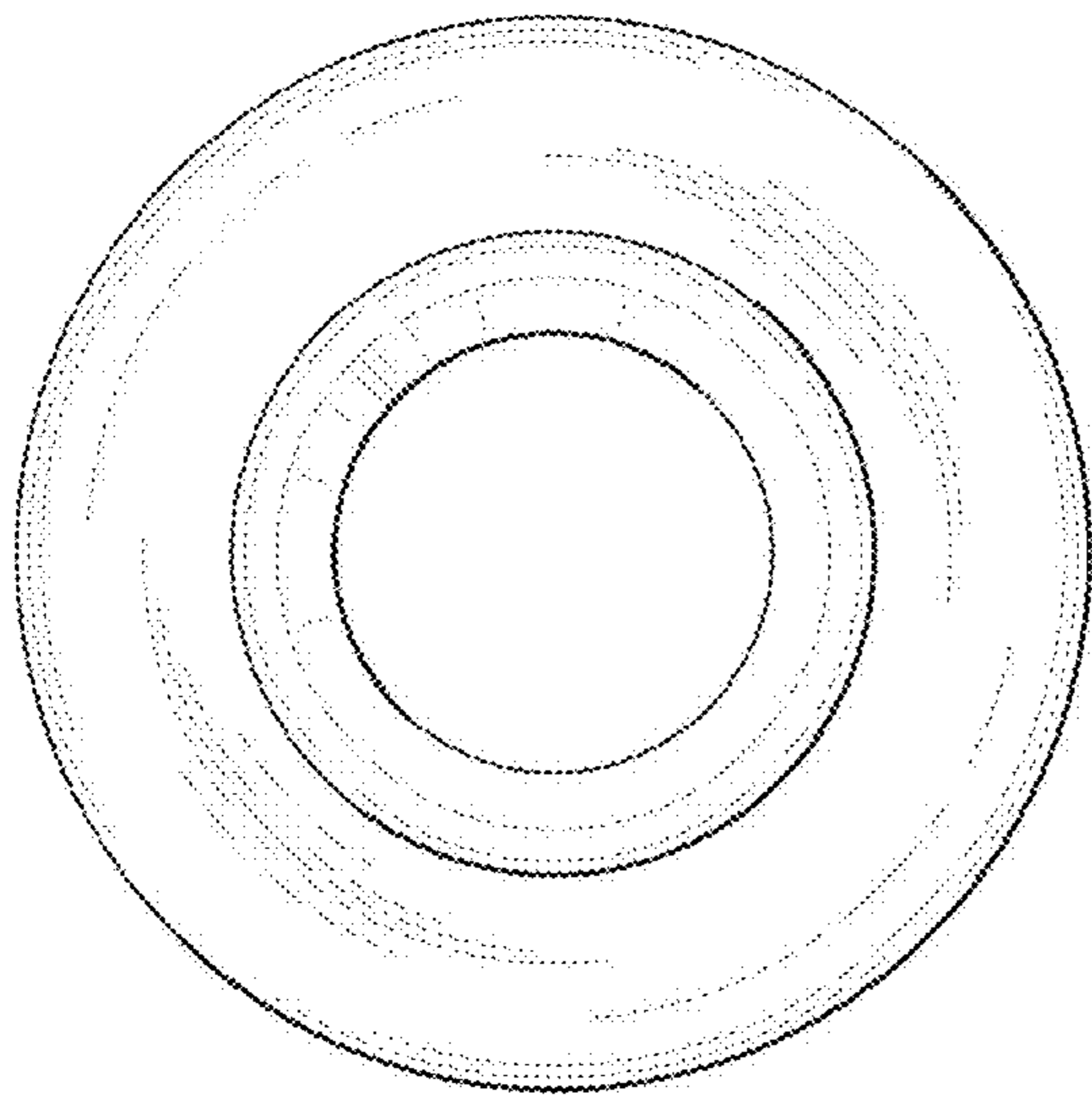


FIG. 8

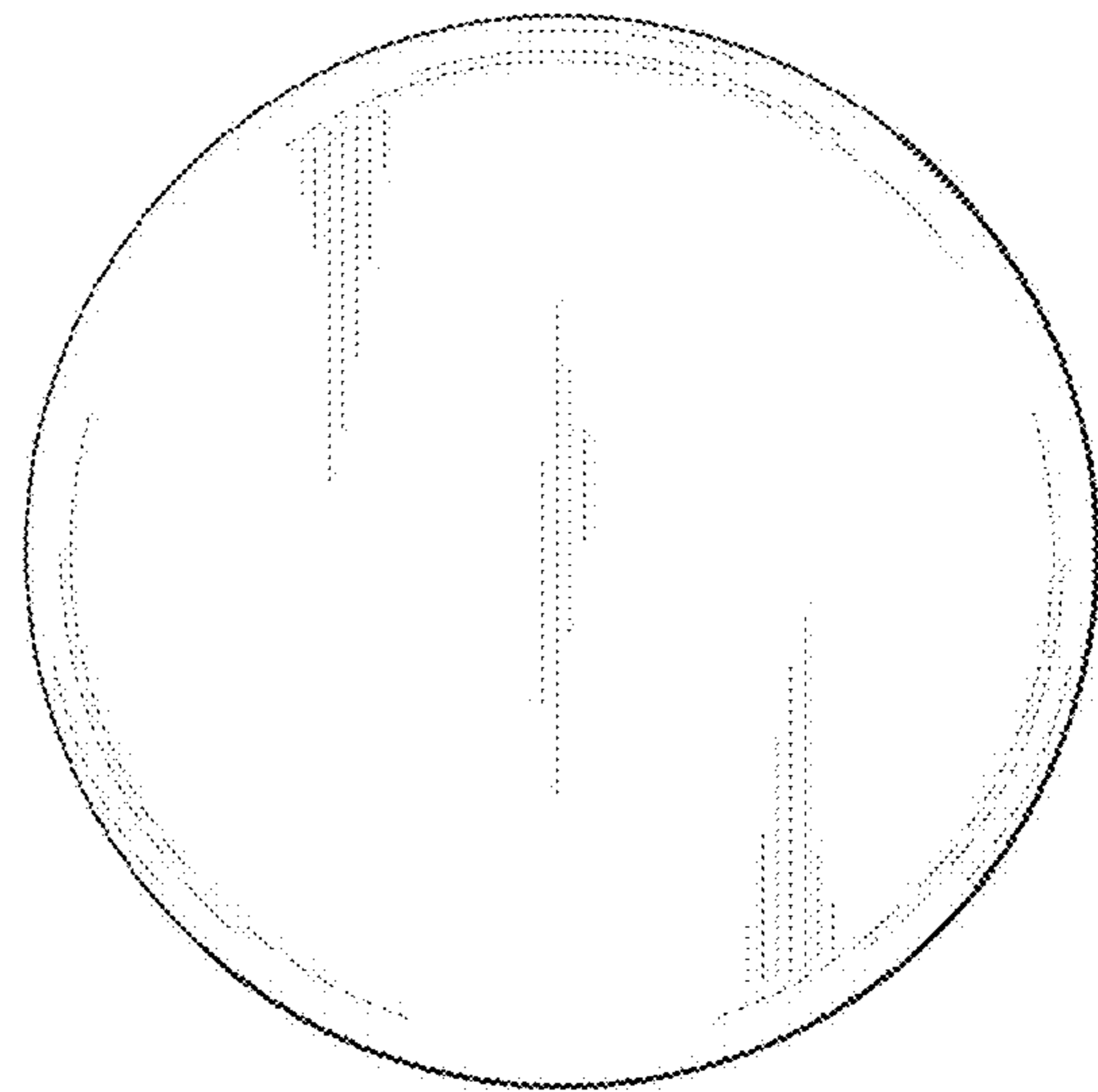


FIG. 9

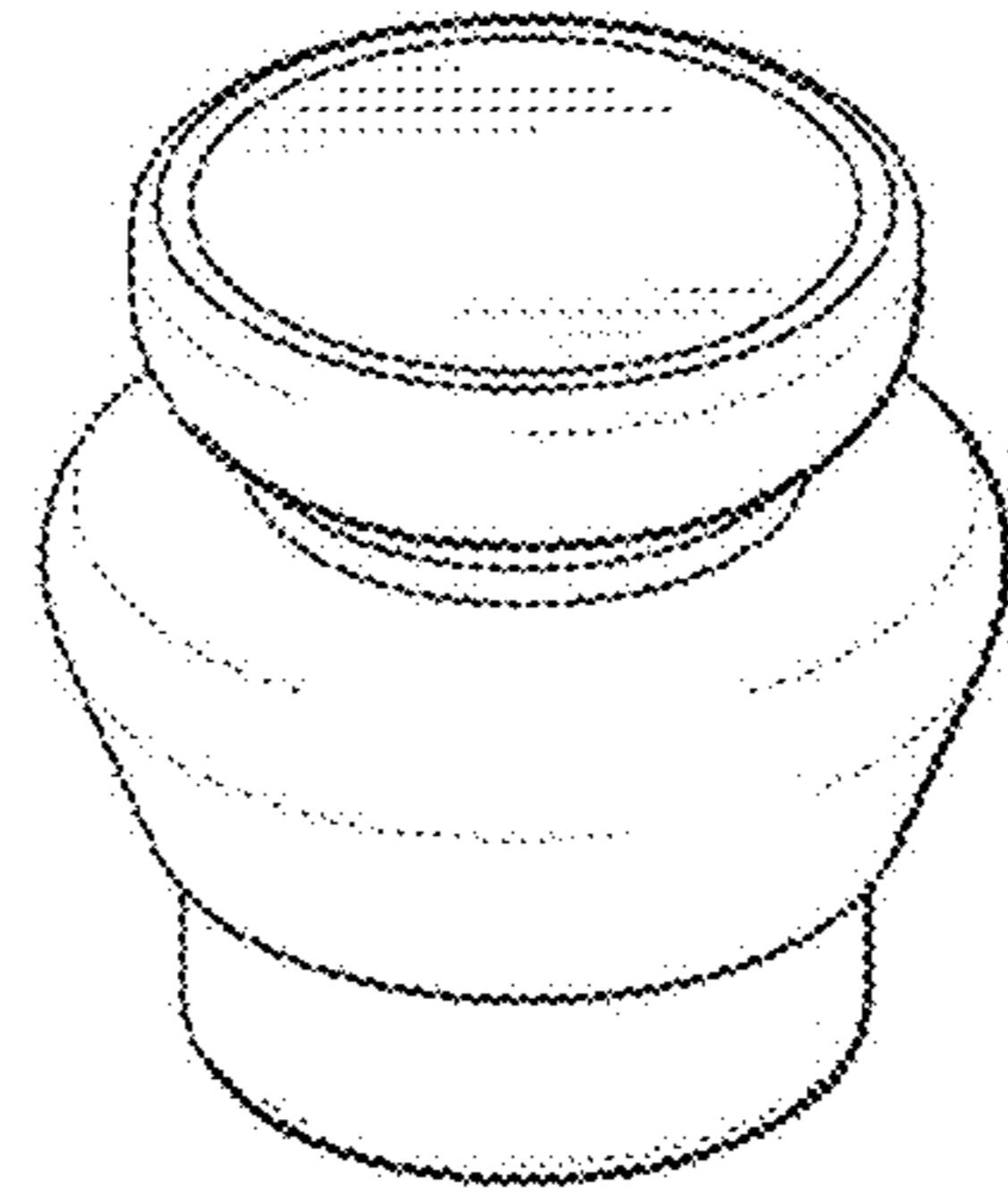


FIG. 10

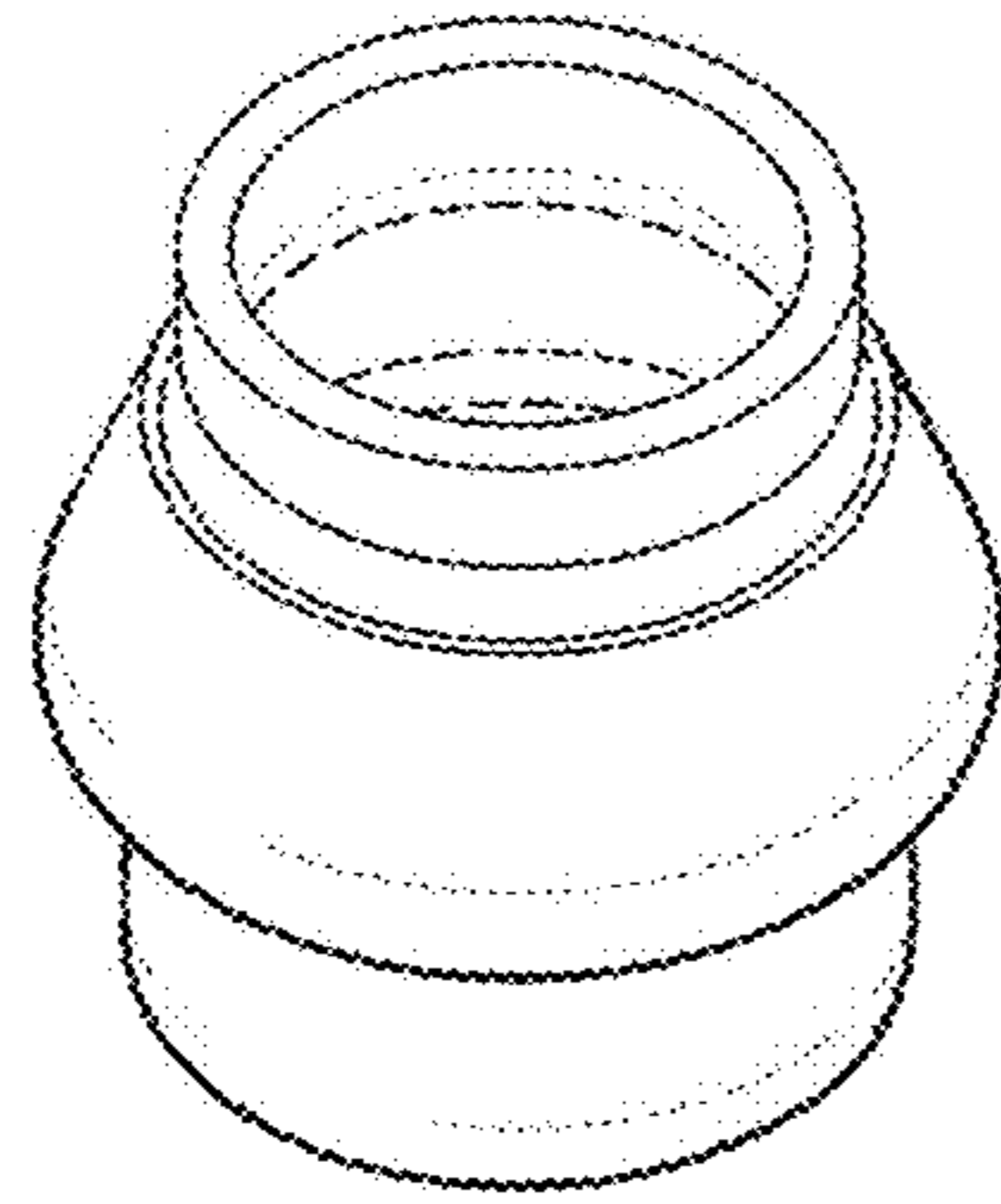


FIG. 11

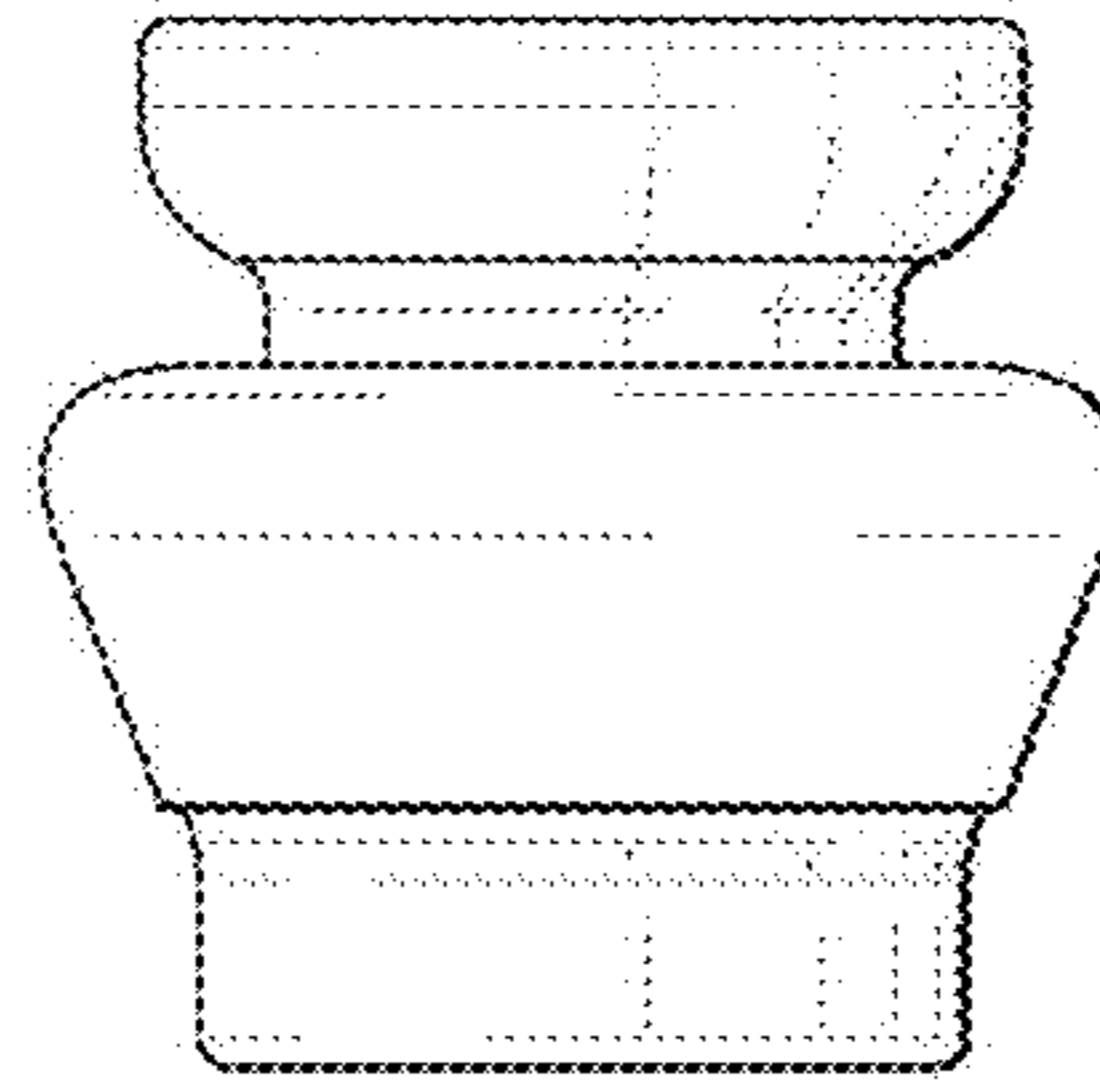


FIG. 12

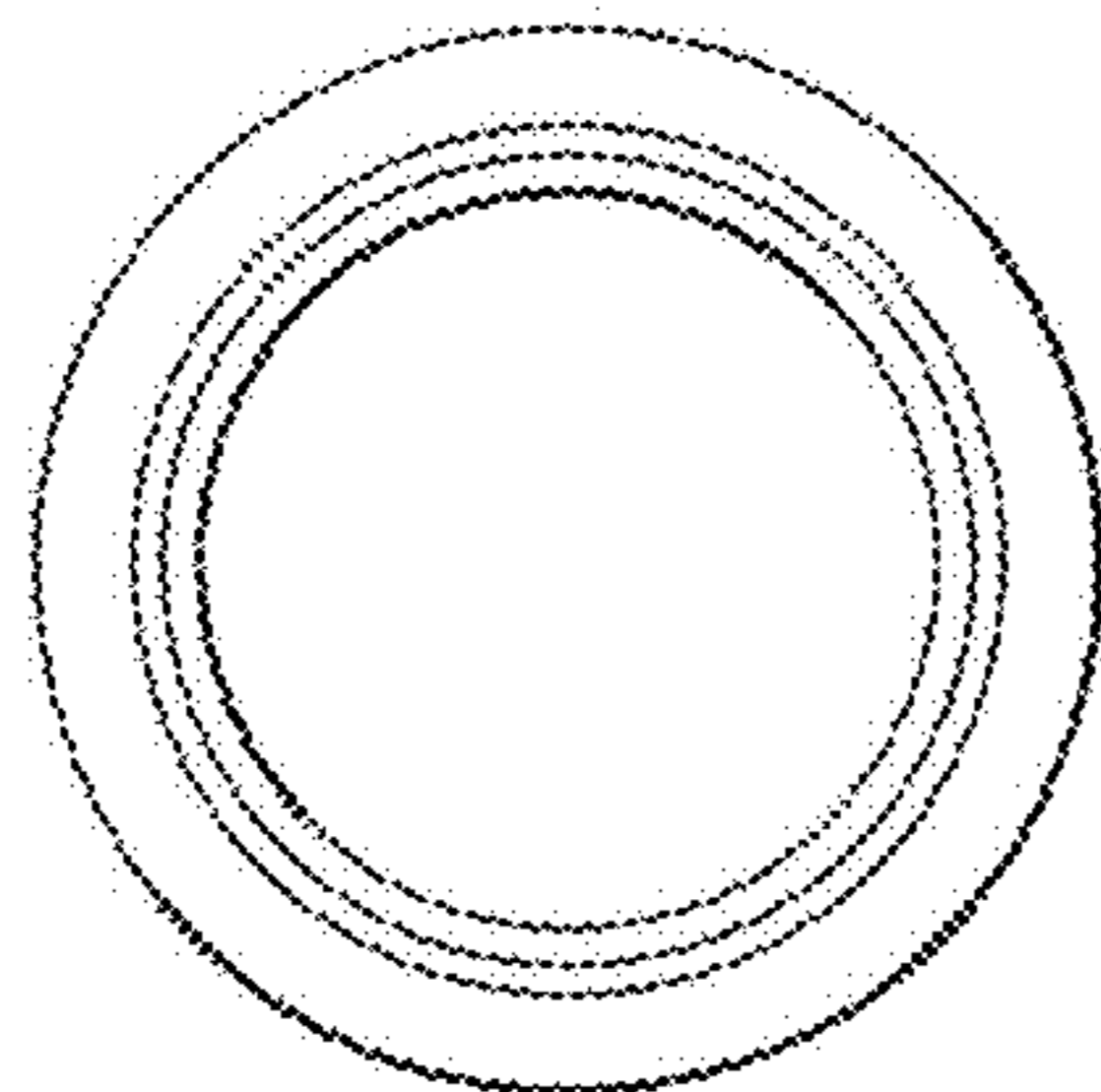


FIG. 13

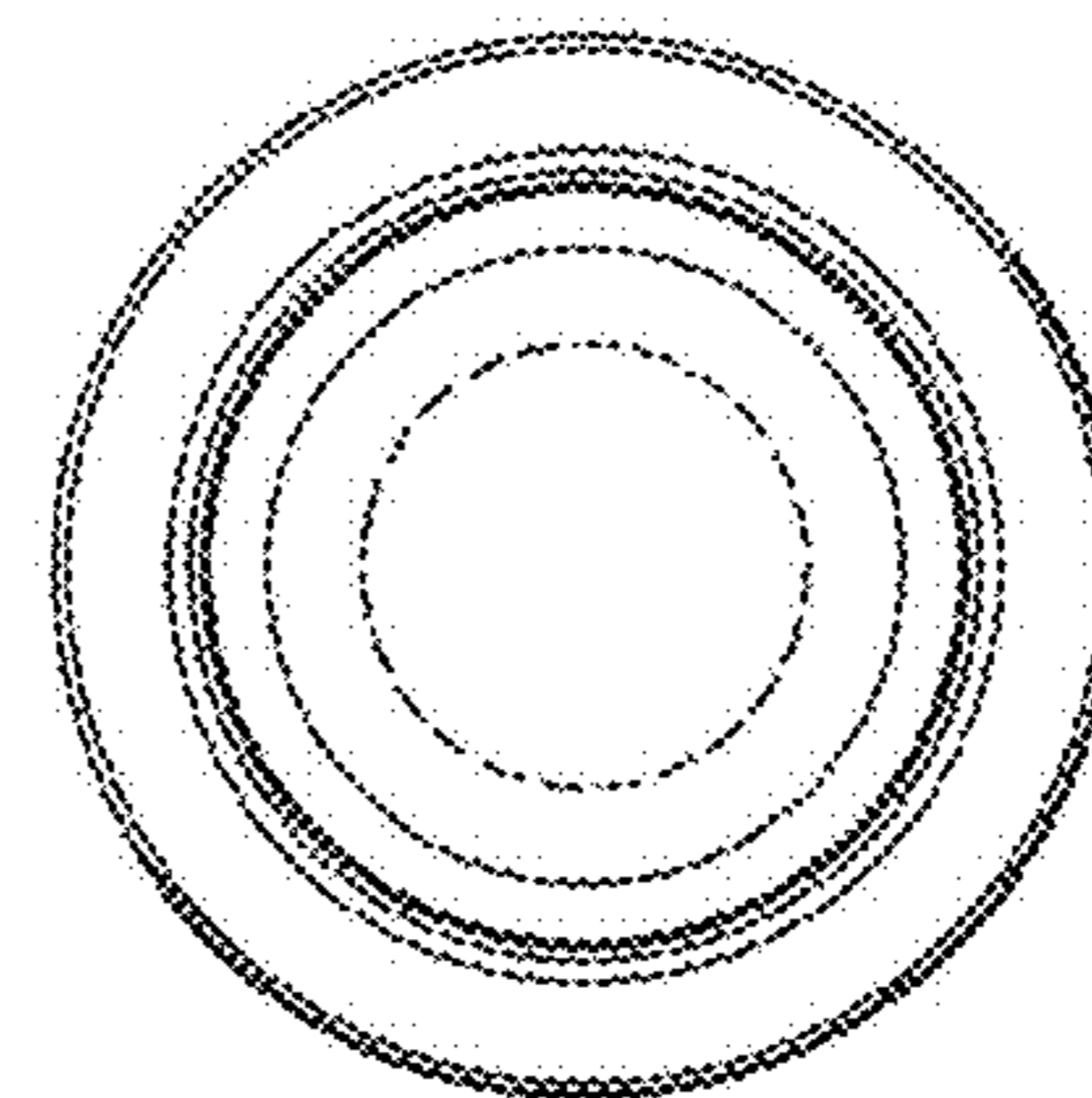


FIG. 14

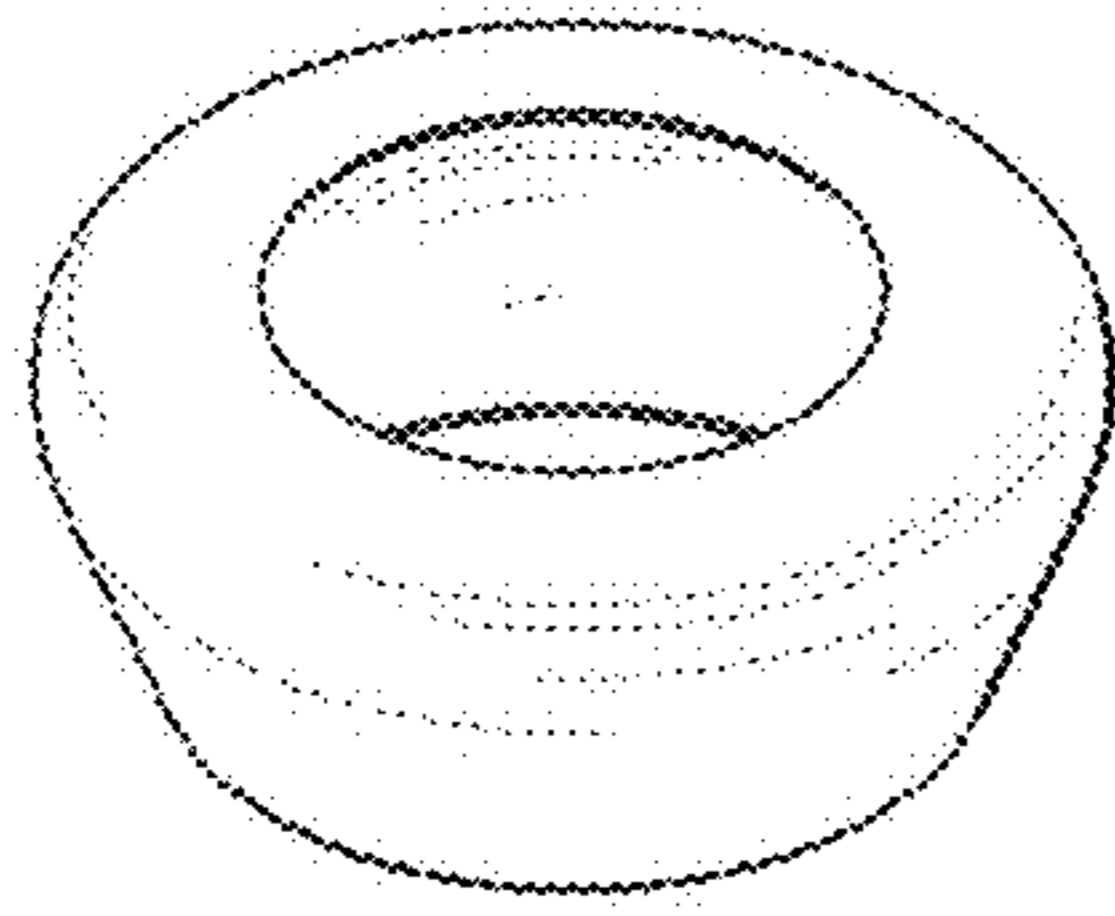


FIG. 15



FIG. 16

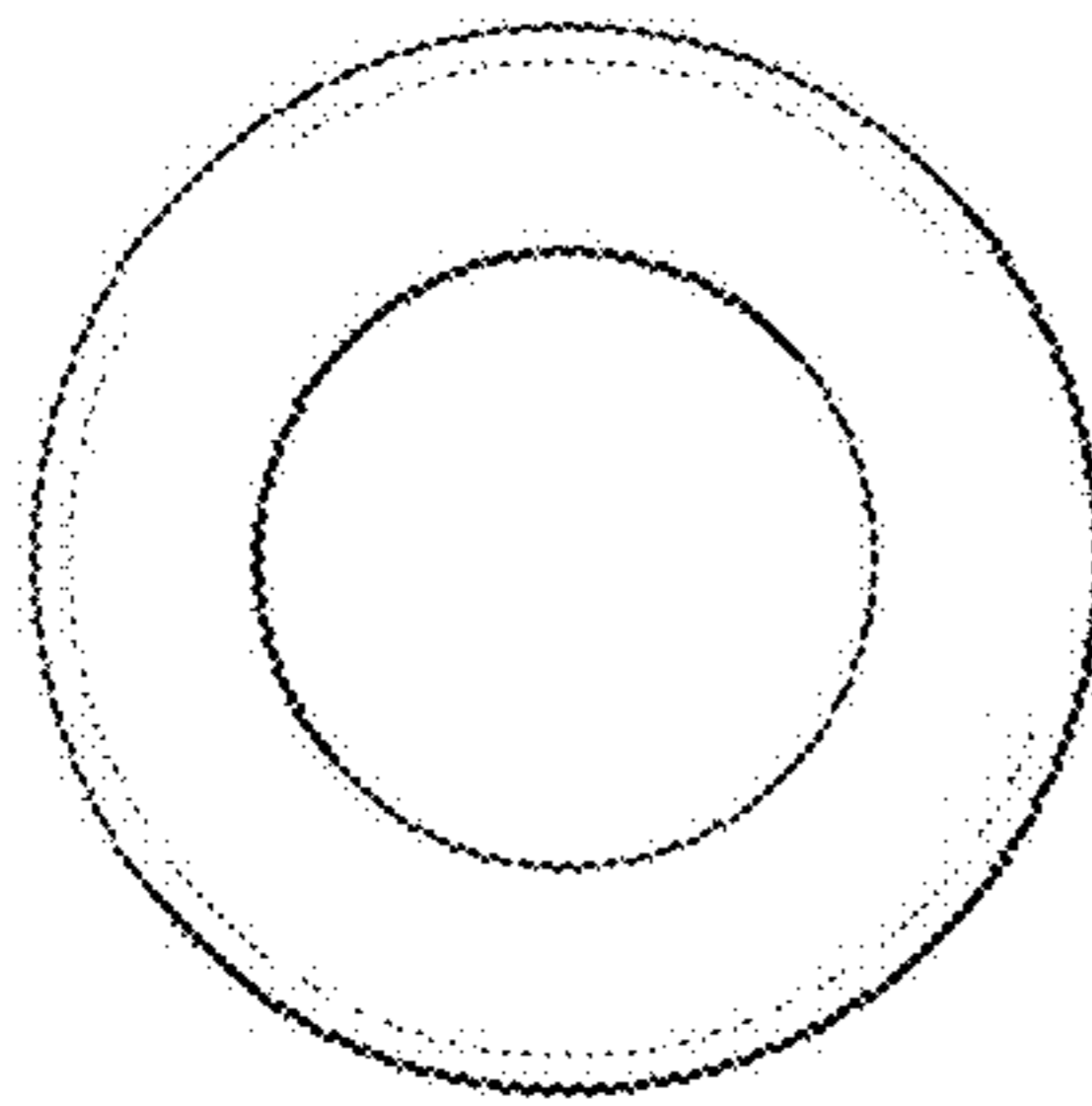


FIG. 17

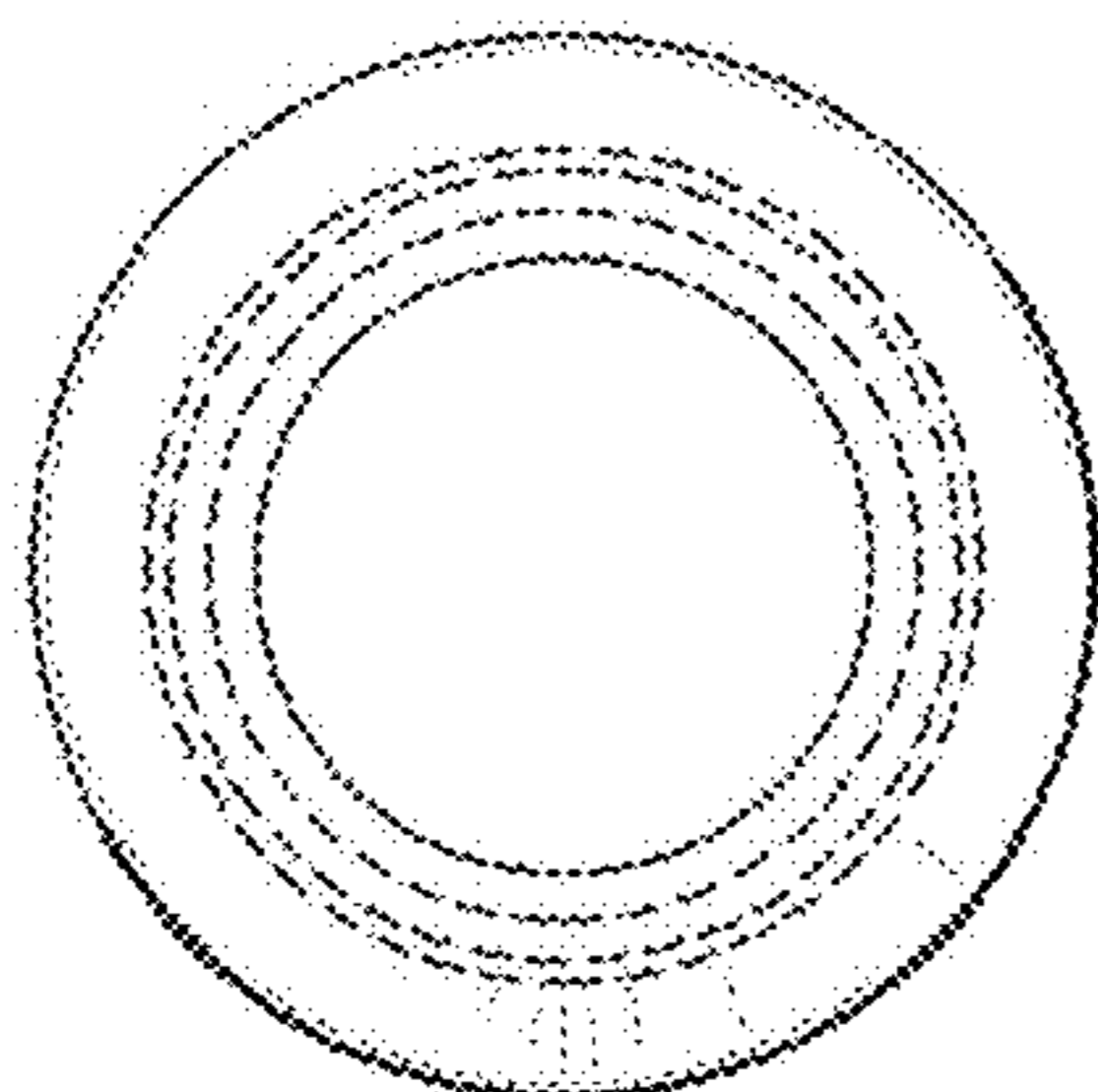


FIG. 18

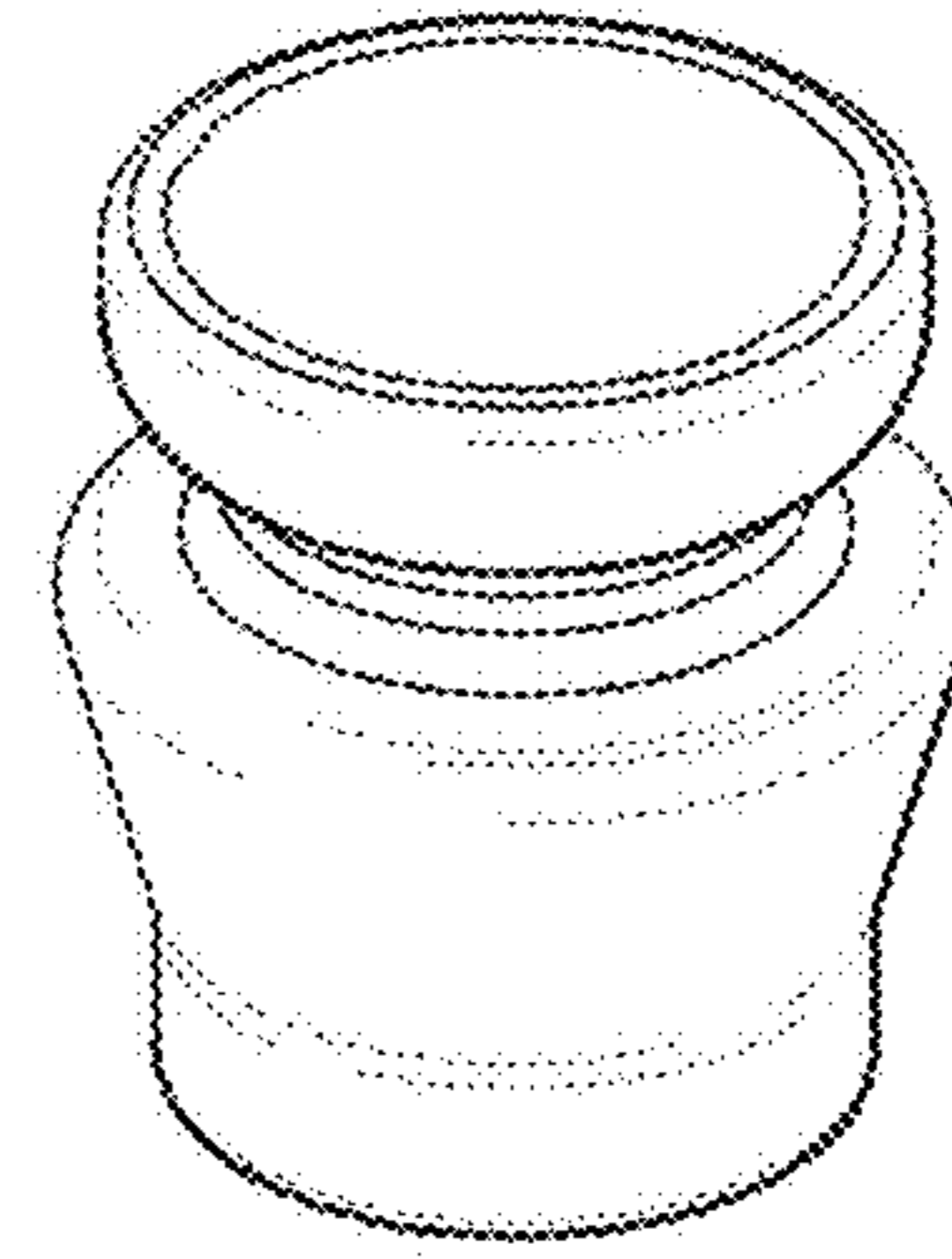


FIG. 19

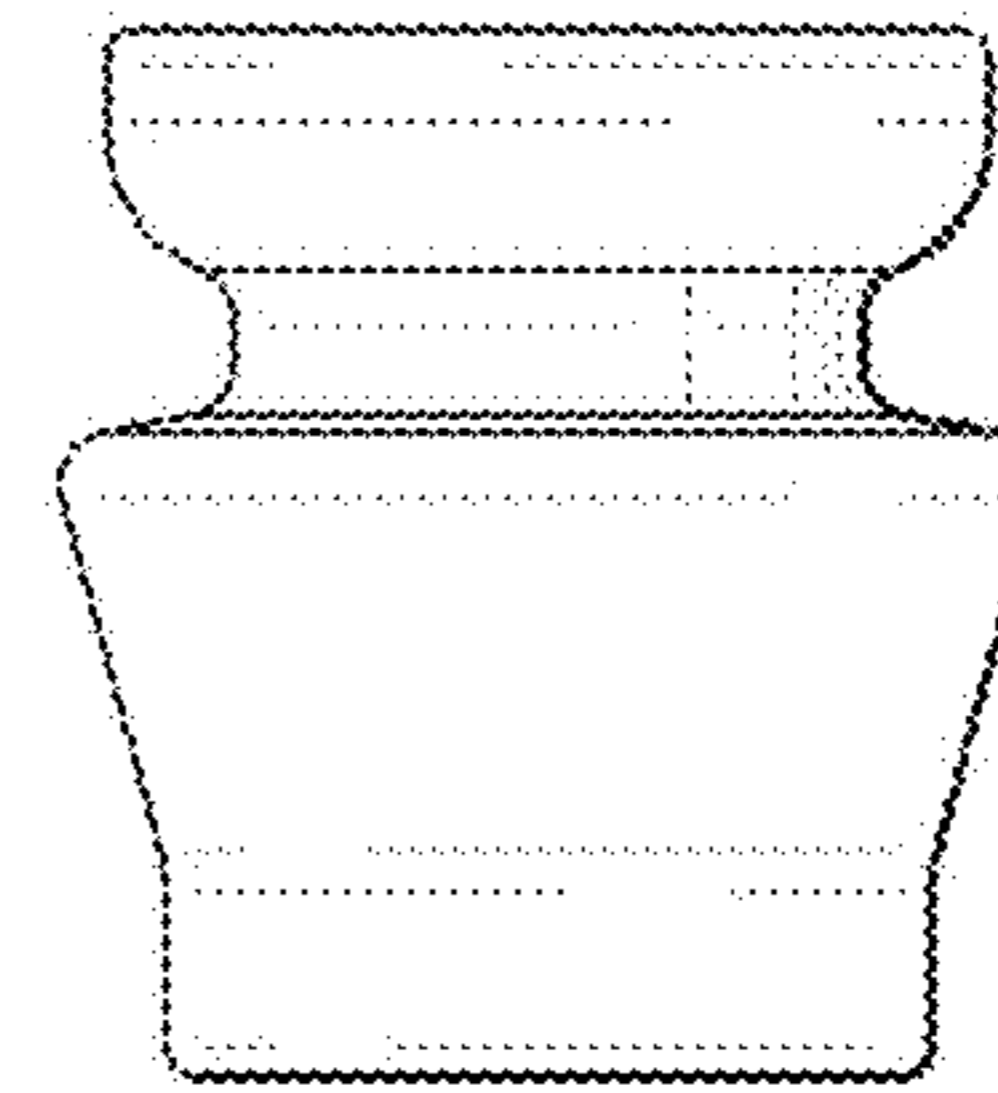


FIG. 20

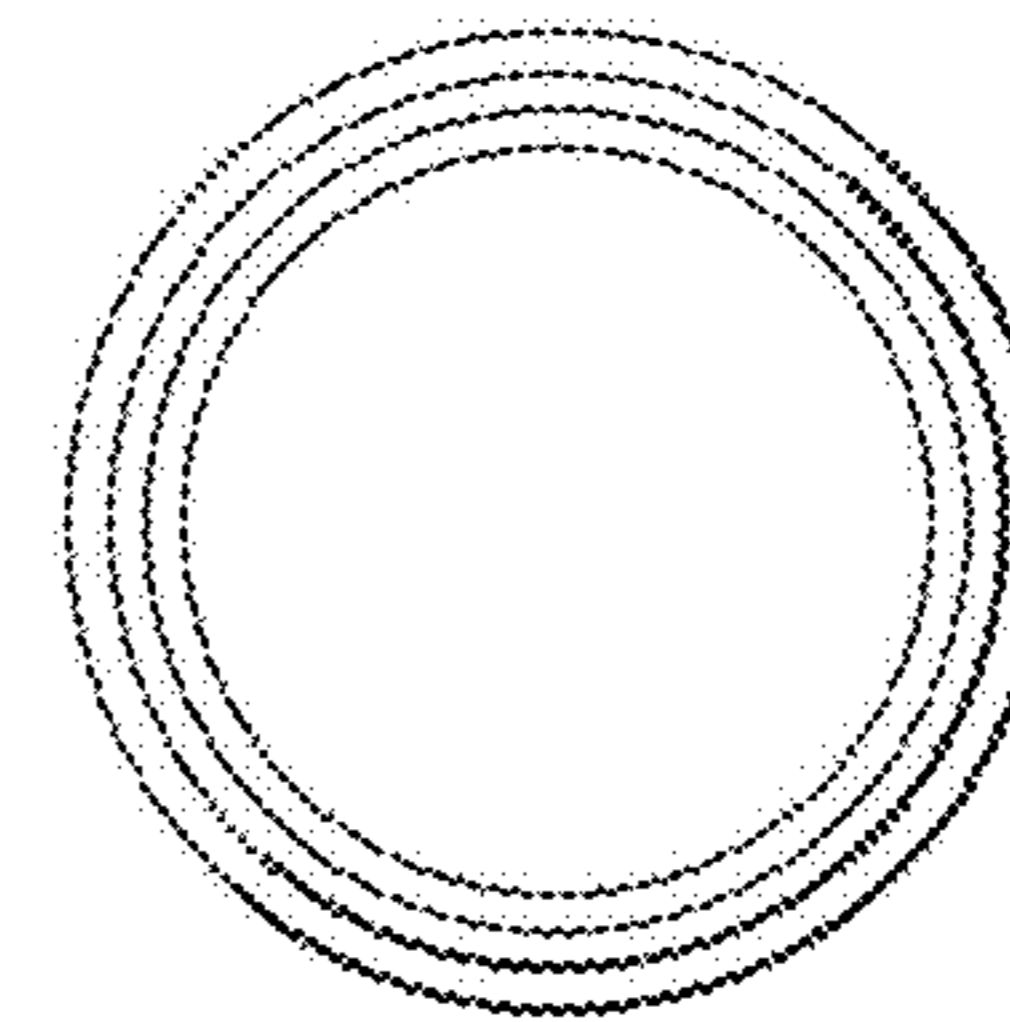


FIG. 21

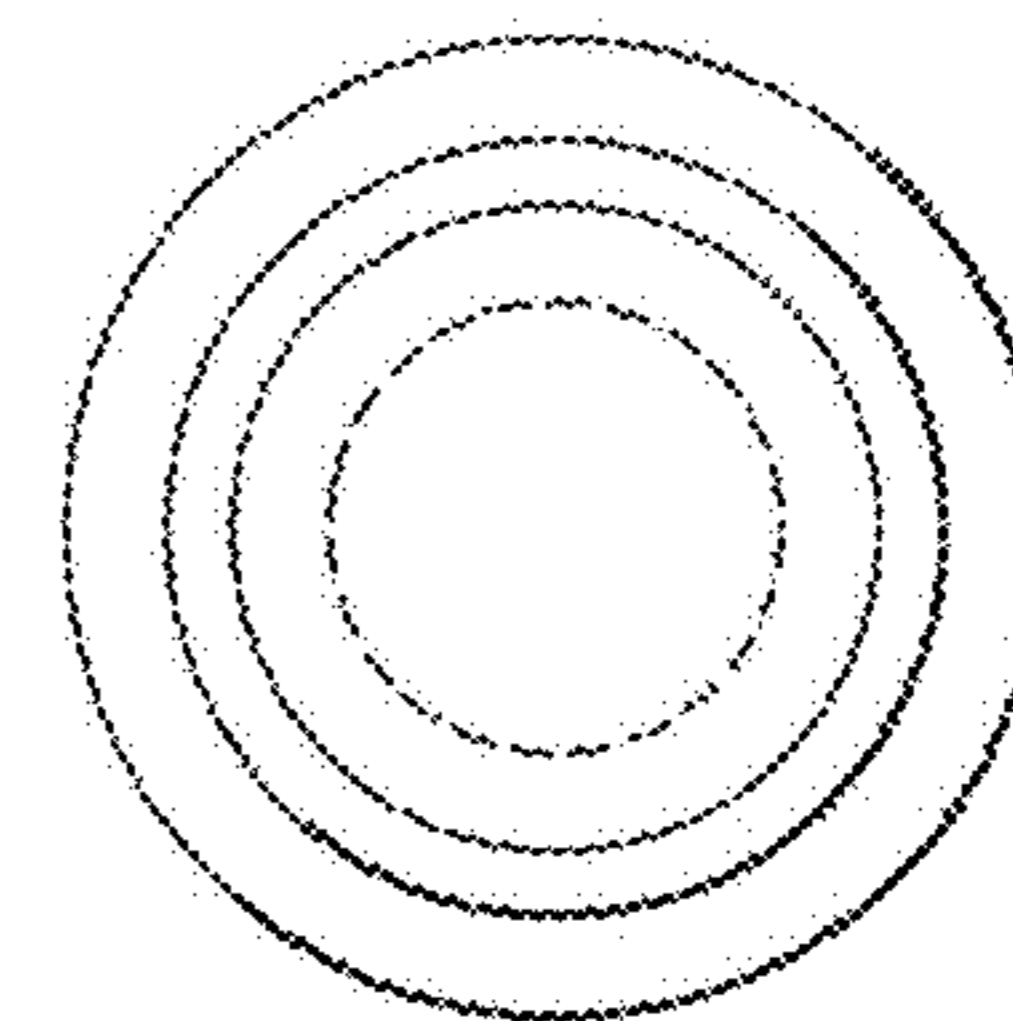


FIG. 22