



US00D979330S

(12) **United States Design Patent** (10) **Patent No.:** **US D979,330 S**
McConnell et al. (45) **Date of Patent:** **** Feb. 28, 2023**

(54) **BLENDER JAR**

OTHER PUBLICATIONS

- (71) Applicant: **WHIRLPOOL CORPORATION**,
Benton Harbor, MI (US)
- (72) Inventors: **John W. McConnell**, St. Joseph, MI
(US); **Brandon T. Mock**, St. Joseph,
MI (US); **Aaron McNabb Evans**, St.
Joseph, MI (US)
- (73) Assignee: **Whirlpool Corporation**, Benton
Harbor, MI (US)
- (**) Term: **15 Years**
- (21) Appl. No.: **29/848,146**
- (22) Filed: **Jul. 29, 2022**

Oster 5-Cup Glass Square Replacement Blender Jar. Date First Available on Amazon.com Sep. 9, 2003. <https://www.amazon.com/Oster-5-Cup-Glass-Square-Blender/dp/B000JEMUPA/ref=Year:2003>.*

(Continued)

Primary Examiner — Ricky Pham
(74) *Attorney, Agent, or Firm* — Price Heneveld LLP

Related U.S. Application Data

- (63) Continuation of application No. 29/816,167, filed on Nov. 19, 2021, now Pat. No. Des. 959,911, which is
(Continued)

- (51) **LOC (14) Cl.** **31-00**
- (52) **U.S. Cl.**
USPC **D7/413; D7/376; D7/378; D7/412**
- (58) **Field of Classification Search**
USPC **D7/372, 376–386, 412–413, 602, 629,
D7/665–666, 669, 679, 693–694**
CPC **A21C 1/02; A21C 1/04; A23N 1/00; A23N
1/02; A47J 43/04; A47J 43/25; A47J
43/27; A47J 43/042; A47J 43/044; A47J
43/046; A47J 43/075; A47J 43/0716;
A47J 43/0722; A47J 43/0727; B01F 3/00;
B01F 3/0807;**

(Continued)

(56) **References Cited**

U.S. PATENT DOCUMENTS

- D176,257 S 12/1955 Hill et al.
 - D181,541 S 11/1957 Madl et al.
- (Continued)

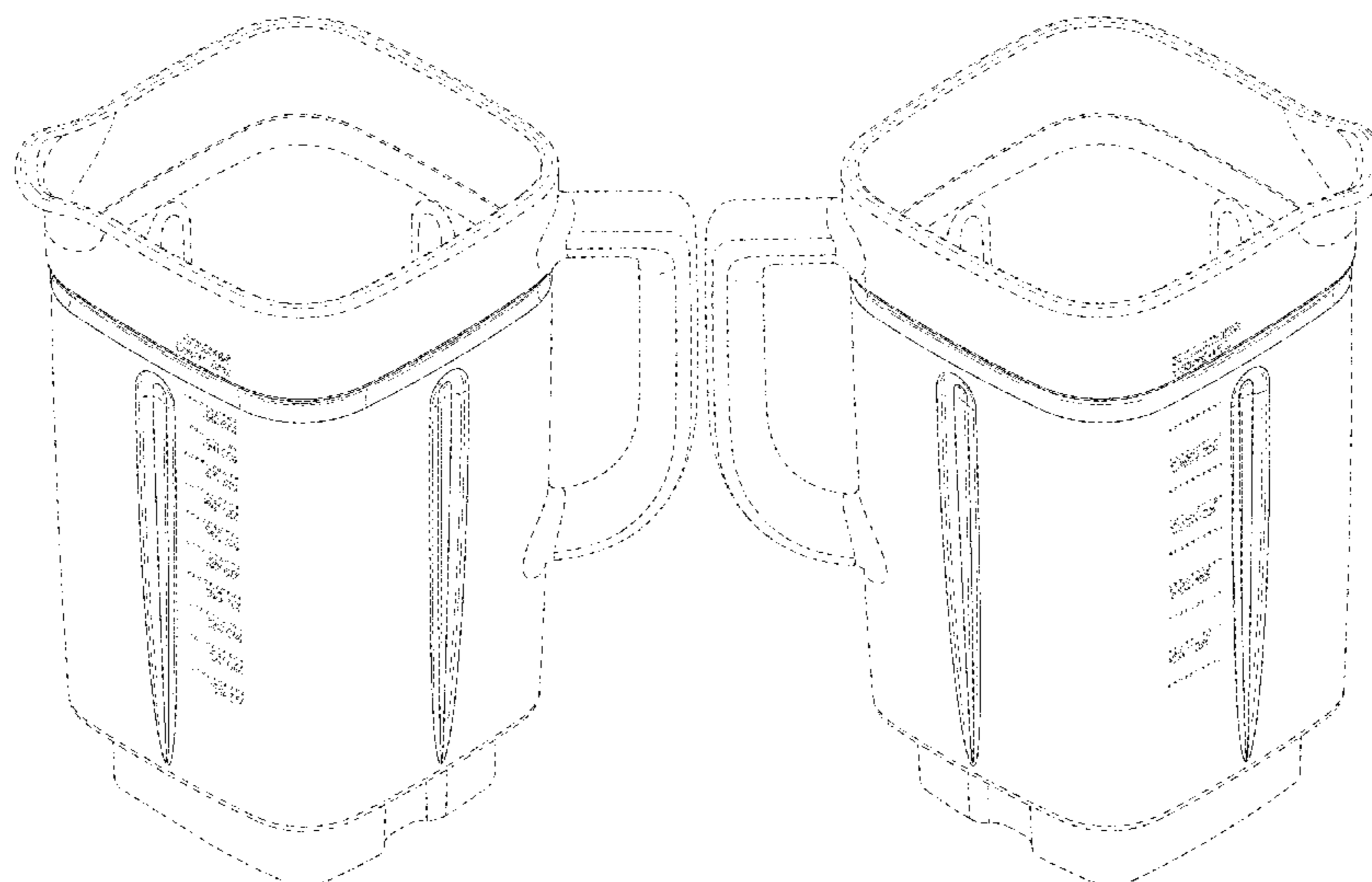
(57) **CLAIM**

We claim the ornamental design for a blender jar, as shown and described.

DESCRIPTION

FIG. 1 is a first side perspective view of a blender jar of the present disclosure;
FIG. 2 is a second side perspective view of the blender jar of FIG. 1;
FIG. 3 is a front perspective view of the blender jar of FIG. 1;
FIG. 4 is a rear perspective view of the blender jar of FIG. 1;
FIG. 5 is a first side elevational view of the blender jar of FIG. 1;
FIG. 6 is a second side elevational view of the blender jar of FIG. 1;
FIG. 7 is a third side elevational view of the blender jar of FIG. 1;
FIG. 8 is a fourth side elevational view of the blender jar of FIG. 1;
FIG. 9 is a top plan view of the blender jar of FIG. 1; and,
FIG. 10 is a bottom plan view of the blender jar of FIG. 1. The broken lines depict portions of the article that form no part of the claimed design.

1 Claim, 10 Drawing Sheets



Related U.S. Application Data

a continuation of application No. 29/781,150, filed on Apr. 28, 2021, now Pat. No. Des. 938,228, which is a continuation of application No. 29/718,727, filed on Dec. 27, 2019, now Pat. No. Des. 920,045.

(58) **Field of Classification Search**

CPC B01F 3/0853; B01F 13/0059; B01F 13/0064; B02C 1/08; B02C 2/04; B02C 4/42; B02C 4/142; B02C 4/143; B02C 4/423; B02C 13/1835; B28C 5/10; B28C 5/12; B28C 5/14; B28C 5/16

See application file for complete search history.

(56) **References Cited**

U.S. PATENT DOCUMENTS

D187,684 S 4/1960 Hauser et al.
 D200,494 S 3/1965 Bezark, Jr.
 D287,327 S 12/1986 Cavalli
 D310,153 S 8/1990 Kaiser
 D386,355 S * 11/1997 Davidson D7/378
 D424,371 S 5/2000 Delmonte
 D424,865 S 5/2000 Crescenzi et al.
 D444,995 S 7/2001 Thackray
 D480,915 S 10/2003 Kolar et al.
 D484,357 S 12/2003 Seum et al.
 D488,344 S 4/2004 Seum et al.
 D498,642 S * 11/2004 Huang D7/378
 D499,602 S * 12/2004 Feil D7/378
 D499,606 S * 12/2004 Feil D7/413
 D502,047 S 2/2005 Ledingham et al.
 D502,842 S 3/2005 Hallar
 D512,265 S * 12/2005 McCurrach D7/378
 D526,531 S 8/2006 Drees et al.
 D528,363 S 9/2006 Ulanski et al.
 D533,395 S 12/2006 Drees et al.
 D537,674 S * 3/2007 Davenport D7/378
 D543,072 S * 5/2007 Ting D7/378
 D547,601 S 7/2007 Ting et al.
 D552,412 S 10/2007 Steiner
 D577,257 S 9/2008 Kuan
 D577,537 S 9/2008 Lee
 D578,340 S 10/2008 Picozza et al.
 D578,341 S 10/2008 Picozza et al.
 D587,064 S 2/2009 Mark
 D594,697 S 6/2009 Lavy
 D605,462 S 12/2009 Picozza et al.
 D616,244 S 5/2010 Thai et al.
 D617,136 S 6/2010 Bock et al.
 D618,049 S 6/2010 Wu
 D625,141 S * 10/2010 Moore D7/378
 D631,282 S 1/2011 Ferraby
 D637,864 S 5/2011 Wu
 D637,870 S 5/2011 Bock
 D642,857 S * 8/2011 Bodum D7/378
 D642,858 S 8/2011 Lazzer
 D644,480 S 9/2011 Czach et al.
 D662,359 S 6/2012 Boozer et al.
 D664,808 S 8/2012 Dickson, Jr. et al.
 D667,683 S 9/2012 Czach et al.
 D670,531 S 11/2012 Carlson
 D683,180 S 5/2013 Carlson
 D684,818 S 6/2013 Lee
 D694,572 S 12/2013 Kobos et al.
 D694,573 S 12/2013 Norland et al.

D694,574 S 12/2013 Norland et al.
 D694,582 S 12/2013 Norland
 D694,583 S 12/2013 Norland
 D702,993 S 4/2014 Lownds
 D705,606 S 5/2014 Coakley et al.
 D711,682 S 8/2014 Norland et al.
 D731,234 S 6/2015 Weaden et al.
 D731,236 S 6/2015 Yin
 D735,530 S * 8/2015 Smith D7/378
 D739,679 S 9/2015 Benoit et al.
 D742,172 S 11/2015 Dickson, Jr. et al.
 D747,135 S 1/2016 Ha
 D755,004 S 5/2016 Bock et al.
 D761,617 S 7/2016 Dennisur et al.
 9,420,915 B2 8/2016 Dickson, Jr. et al.
 D769,061 S 10/2016 Diderotto
 D770,226 S 11/2016 McConnell et al.
 D772,008 S 11/2016 McConnell et al.
 D772,009 S 11/2016 McConnell et al.
 D773,248 S * 12/2016 Barquin D7/378
 D781,098 S 3/2017 Bond et al.
 D784,071 S 4/2017 Davies
 D784,761 S 4/2017 Tu
 D786,613 S 5/2017 McConnell et al.
 D791,541 S 7/2017 Stumph et al.
 D794,381 S 8/2017 McConnell et al.
 D798,101 S 9/2017 Rose et al.
 D798,109 S 9/2017 Ulanski et al.
 D798,653 S 10/2017 Fan
 D807,700 S 1/2018 Tu
 D808,719 S 1/2018 Coakley
 D811,167 S 2/2018 Smith
 D811,806 S 3/2018 Bock
 D815,886 S 4/2018 Huang et al.
 D815,887 S 4/2018 Huang et al.
 D828,080 S 9/2018 Ou et al.
 D829,496 S 10/2018 Kim
 D833,814 S 11/2018 Smith
 D839,670 S 2/2019 Youngmann
 D842,643 S 3/2019 Mullen et al.
 D851,982 S 6/2019 DeLeo et al.
 10,455,985 B2 10/2019 Lee
 D874,869 S 2/2020 McConnell et al.
 D880,239 S 4/2020 McConnell et al.
 D897,758 S * 10/2020 Finnance D7/378
 D905,493 S 12/2020 Ye
 D905,504 S 12/2020 Upston
 D920,045 S 5/2021 McConnell et al.
 D923,405 S 6/2021 Kettavong et al.
 D925,270 S 7/2021 Bannister et al.
 D925,271 S 7/2021 Palladino et al.
 D925,284 S 7/2021 Bannister et al.
 D938,228 S 12/2021 McConnell et al.
 D938,229 S 12/2021 Kettavong et al.
 D959,911 S * 8/2022 McConnell D7/378
 2012/0206995 A1 8/2012 Wu
 2014/0084094 A1 3/2014 Lee
 2015/0238050 A1 8/2015 Lee
 2016/0296899 A1 10/2016 Hoare et al.
 2016/0324369 A1 11/2016 Lee

OTHER PUBLICATIONS

Vitamix Container, 64oz. Low-Profile, Date first available on Amazon.com: Mar. 13, 2014, <https://www.amazon.com/dp/B00IZIVZG2/ref> (Year: 2014).

* cited by examiner

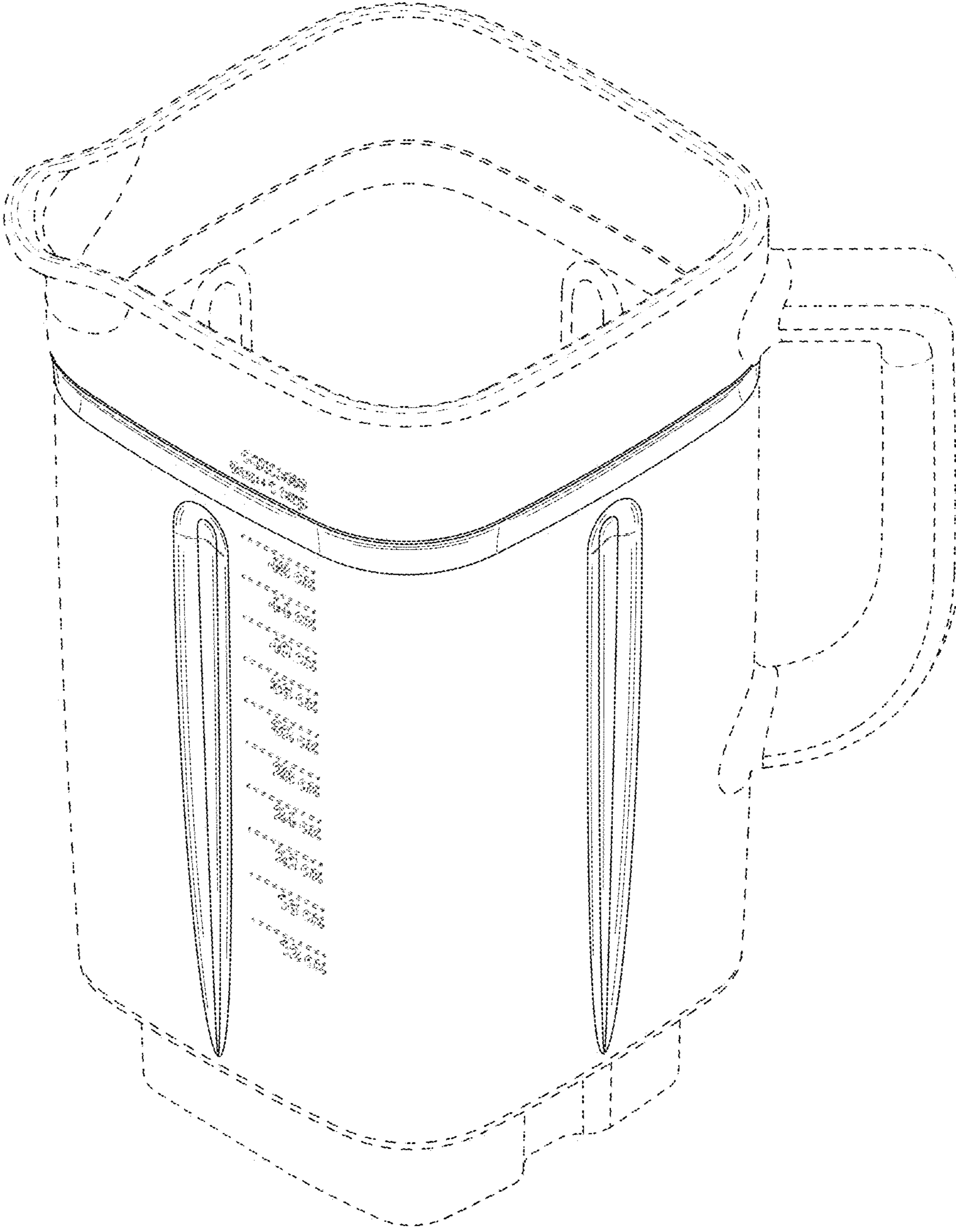


FIG. 1

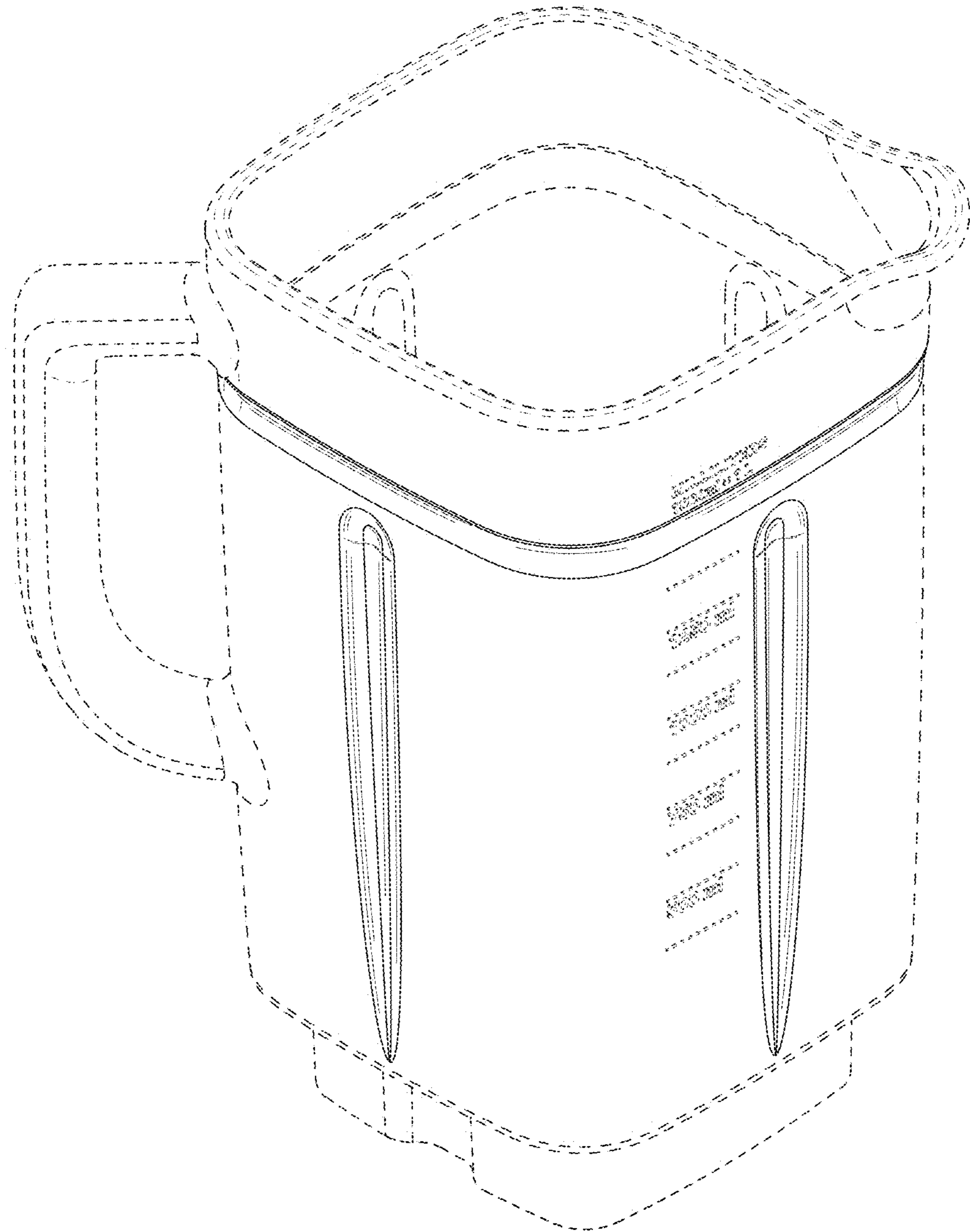


FIG. 2

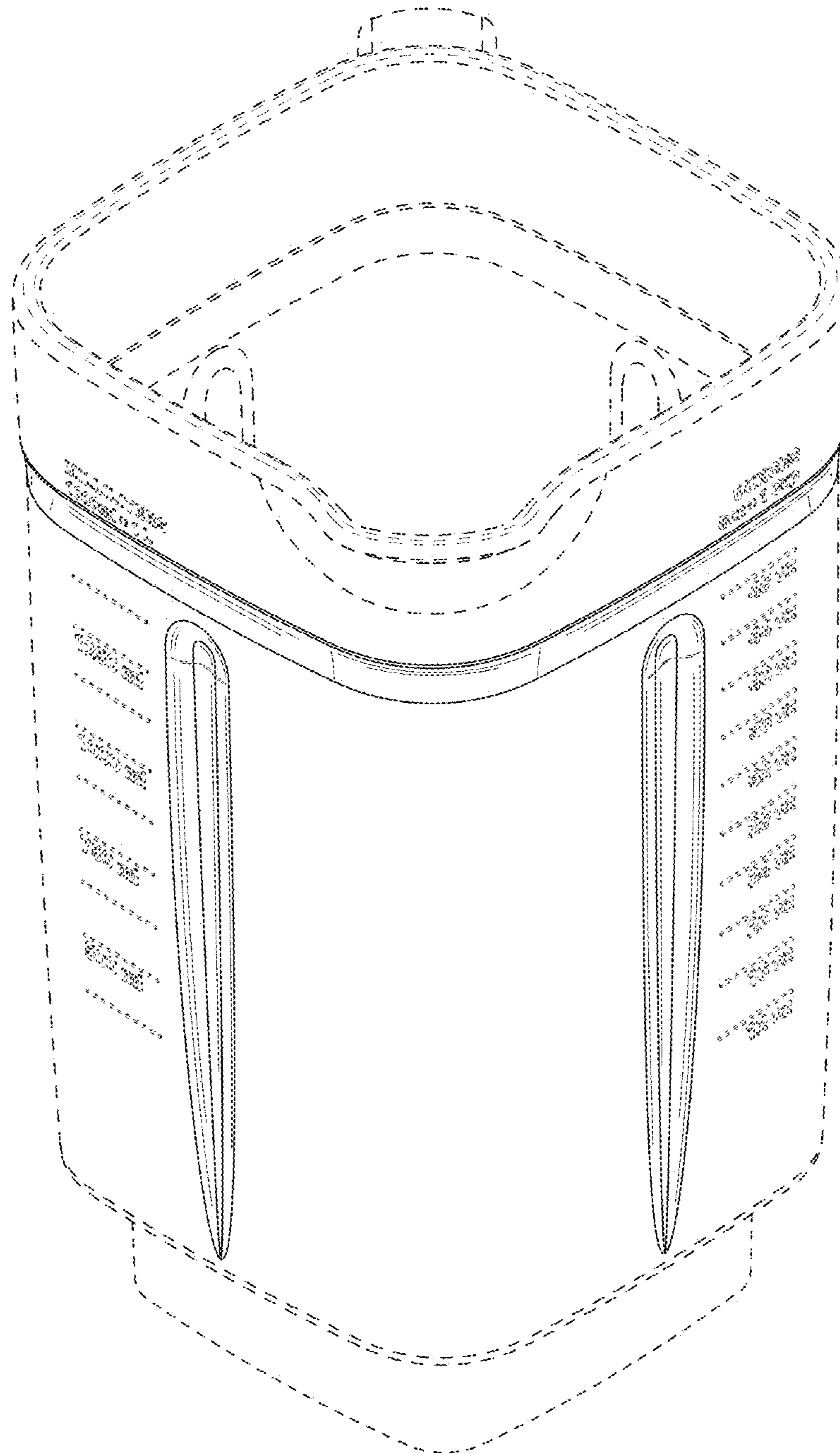


FIG. 3

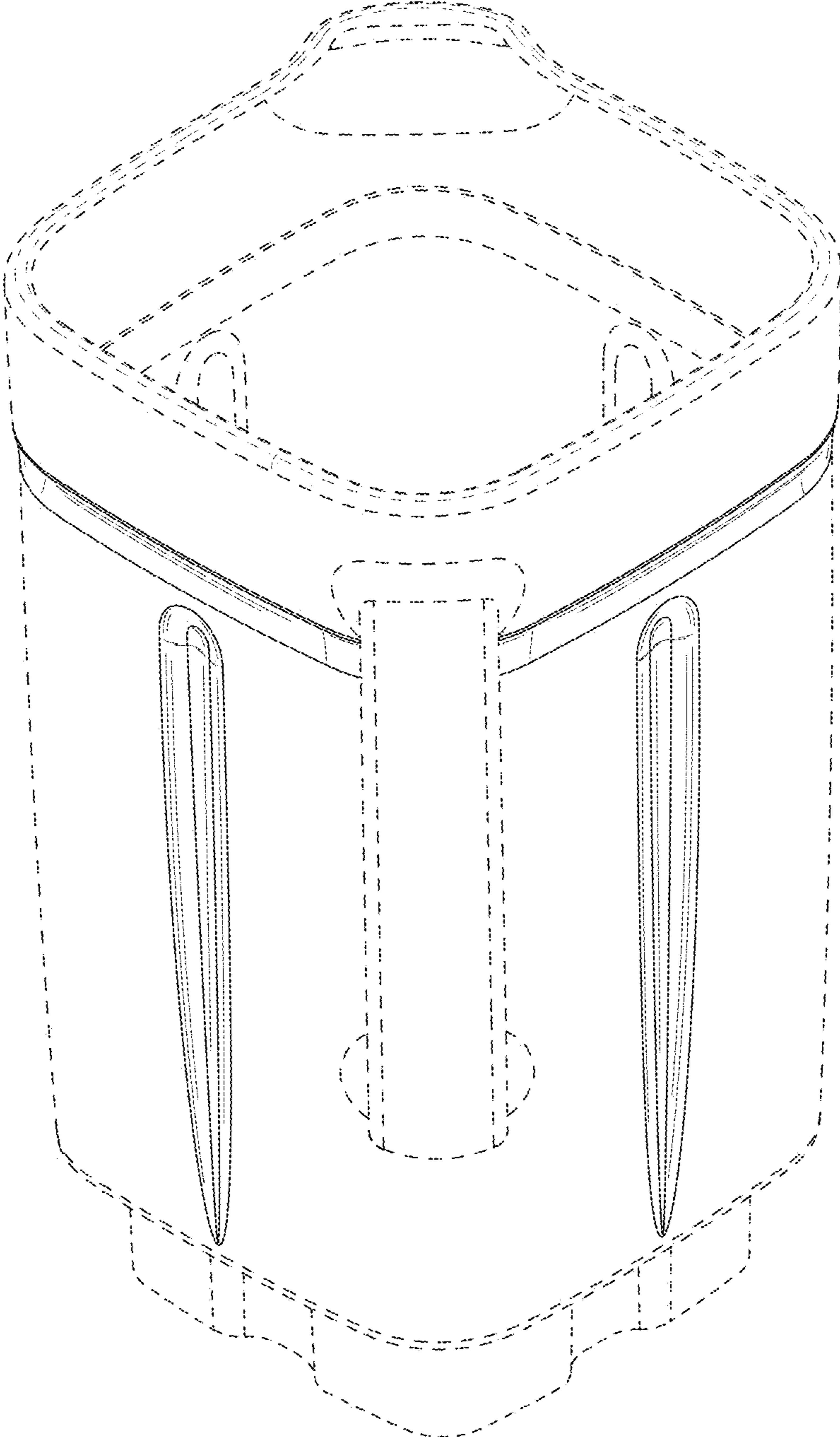


FIG. 4

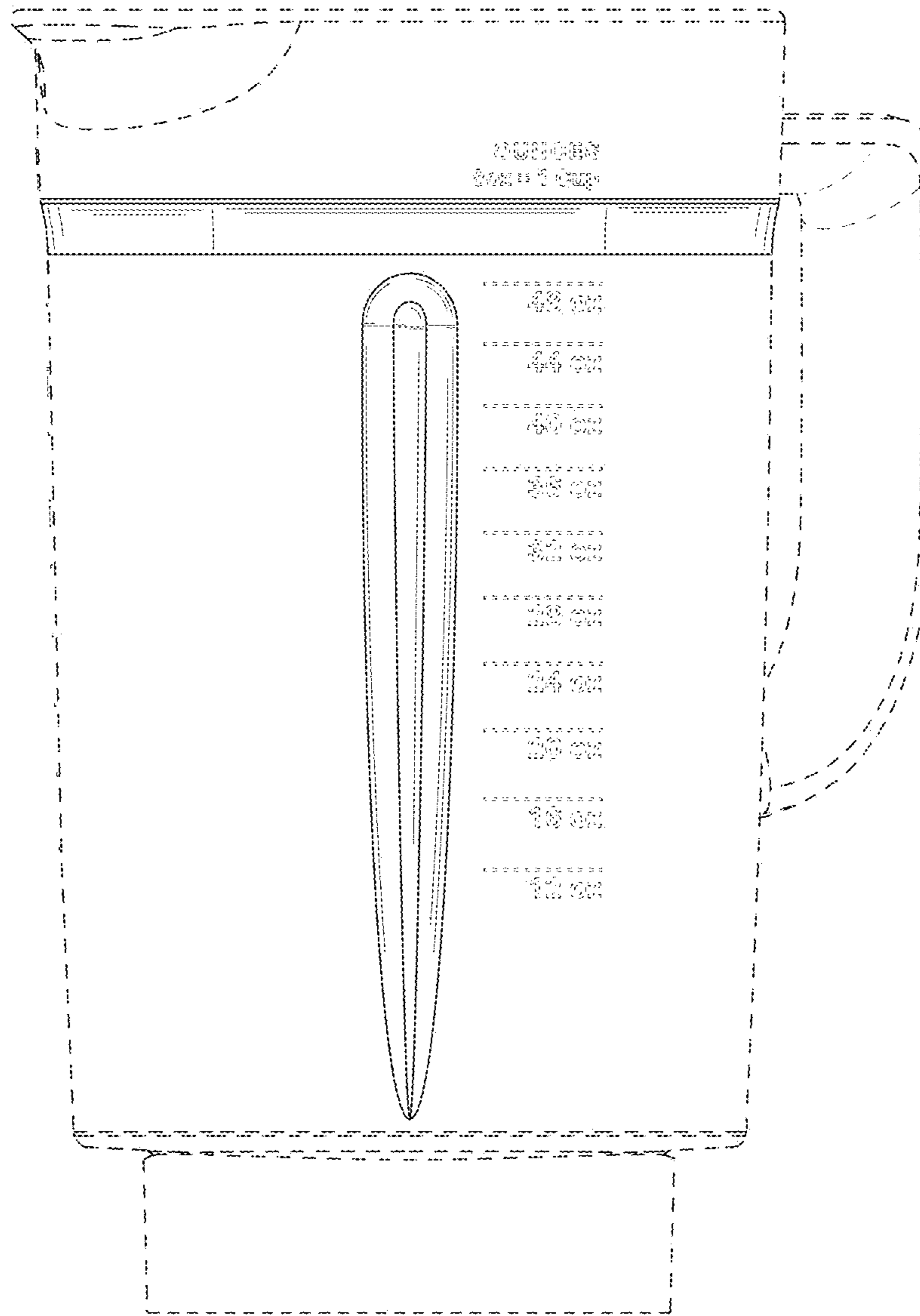


FIG. 5

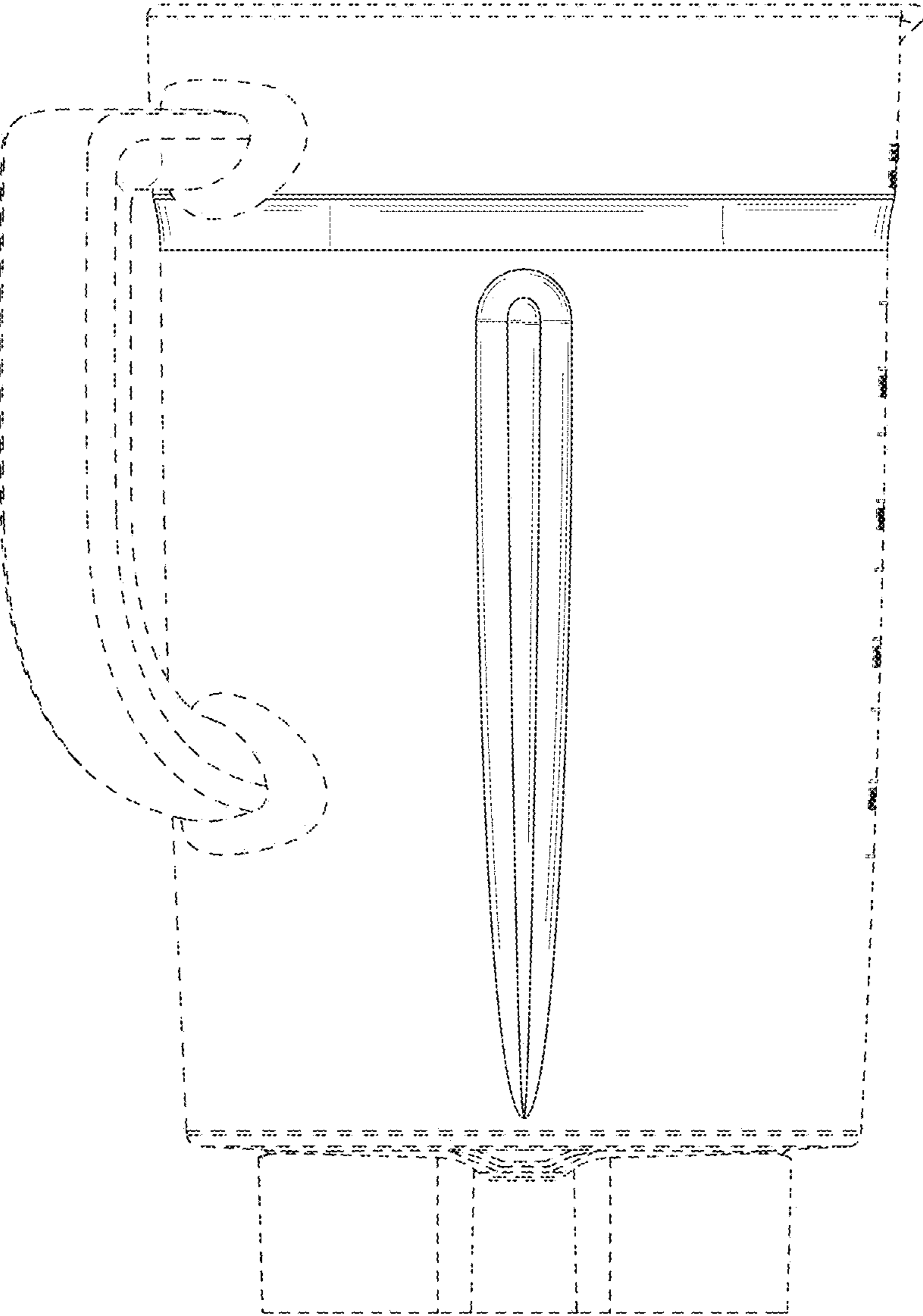


FIG. 6

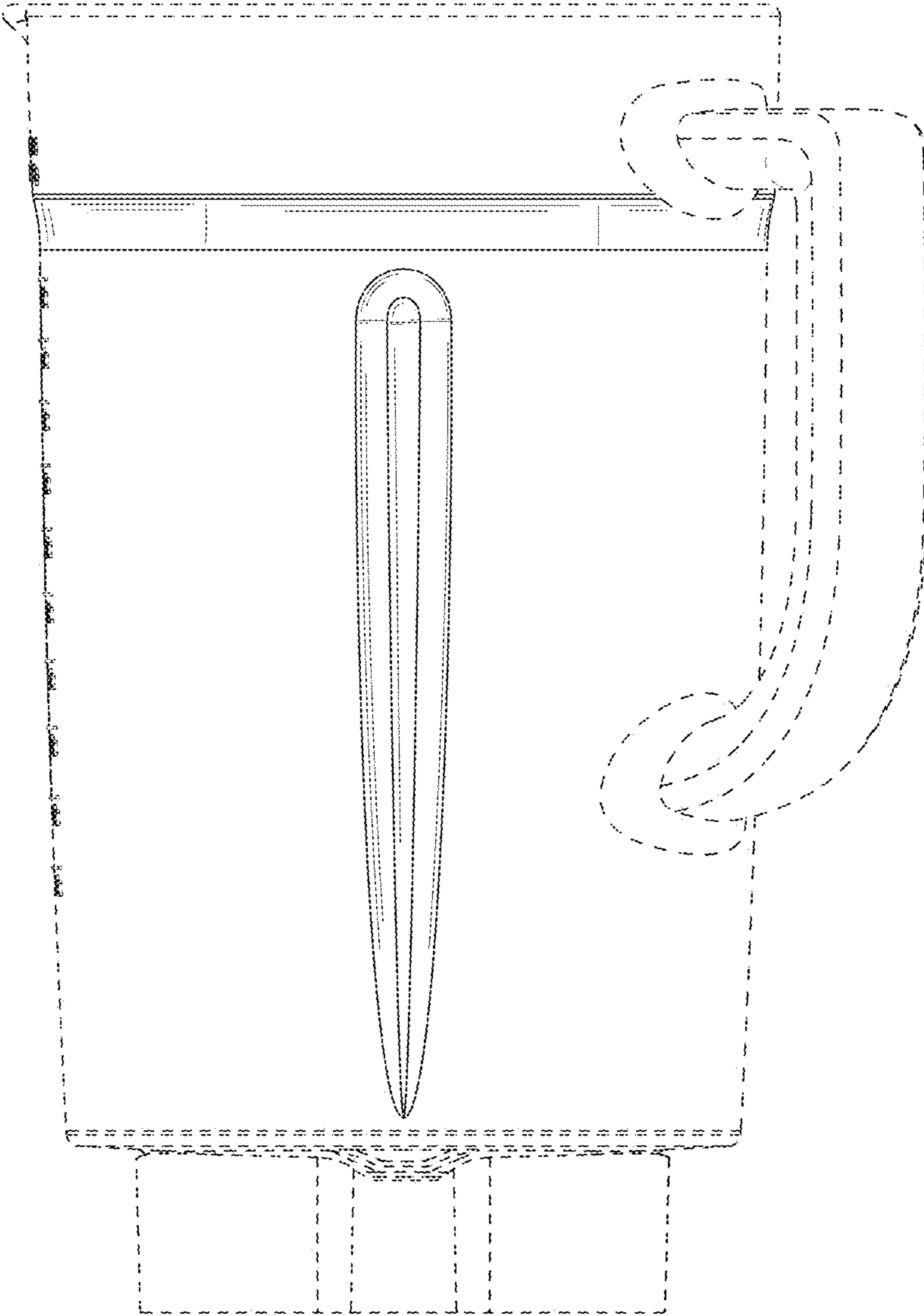


FIG. 7

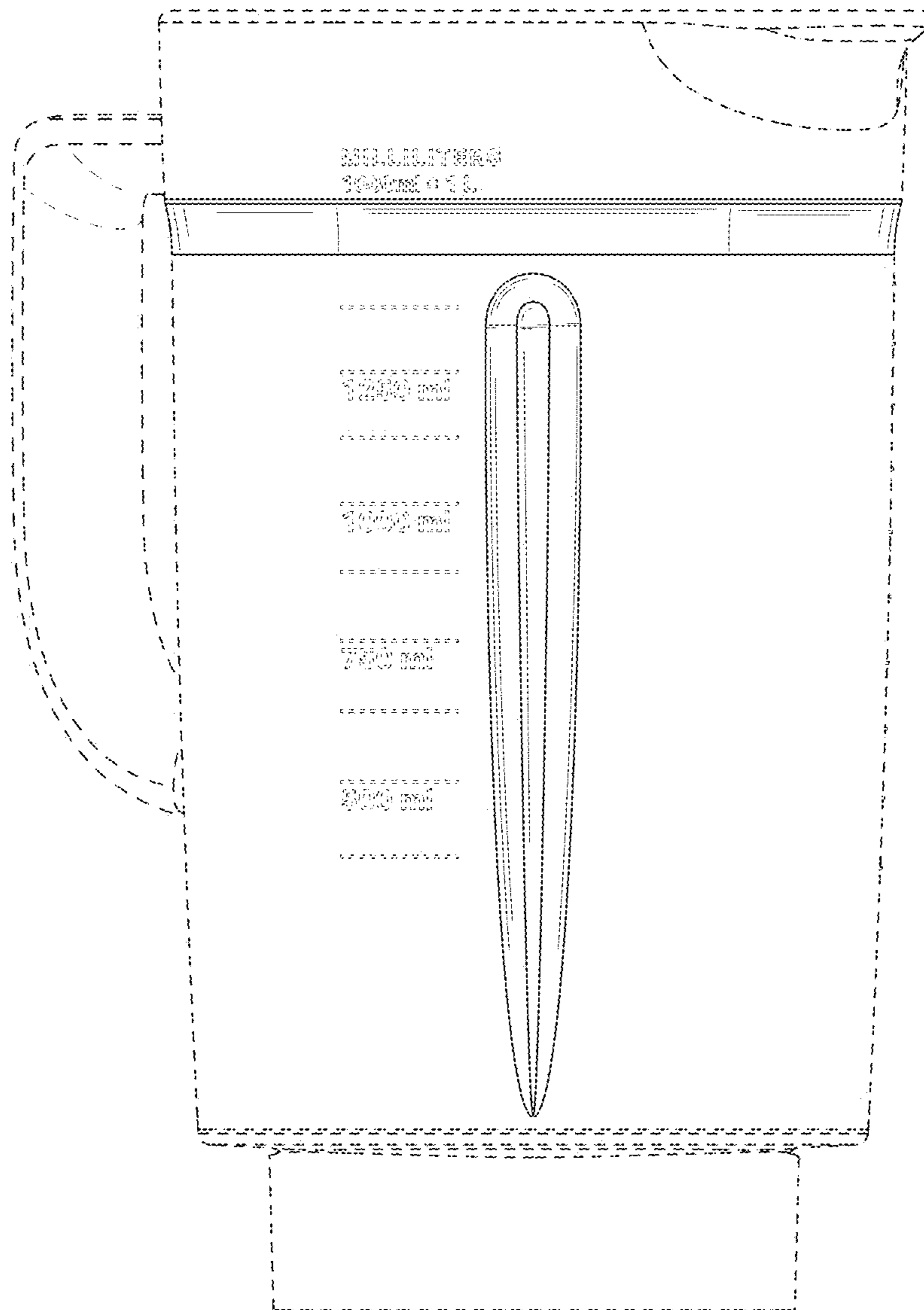


FIG. 8

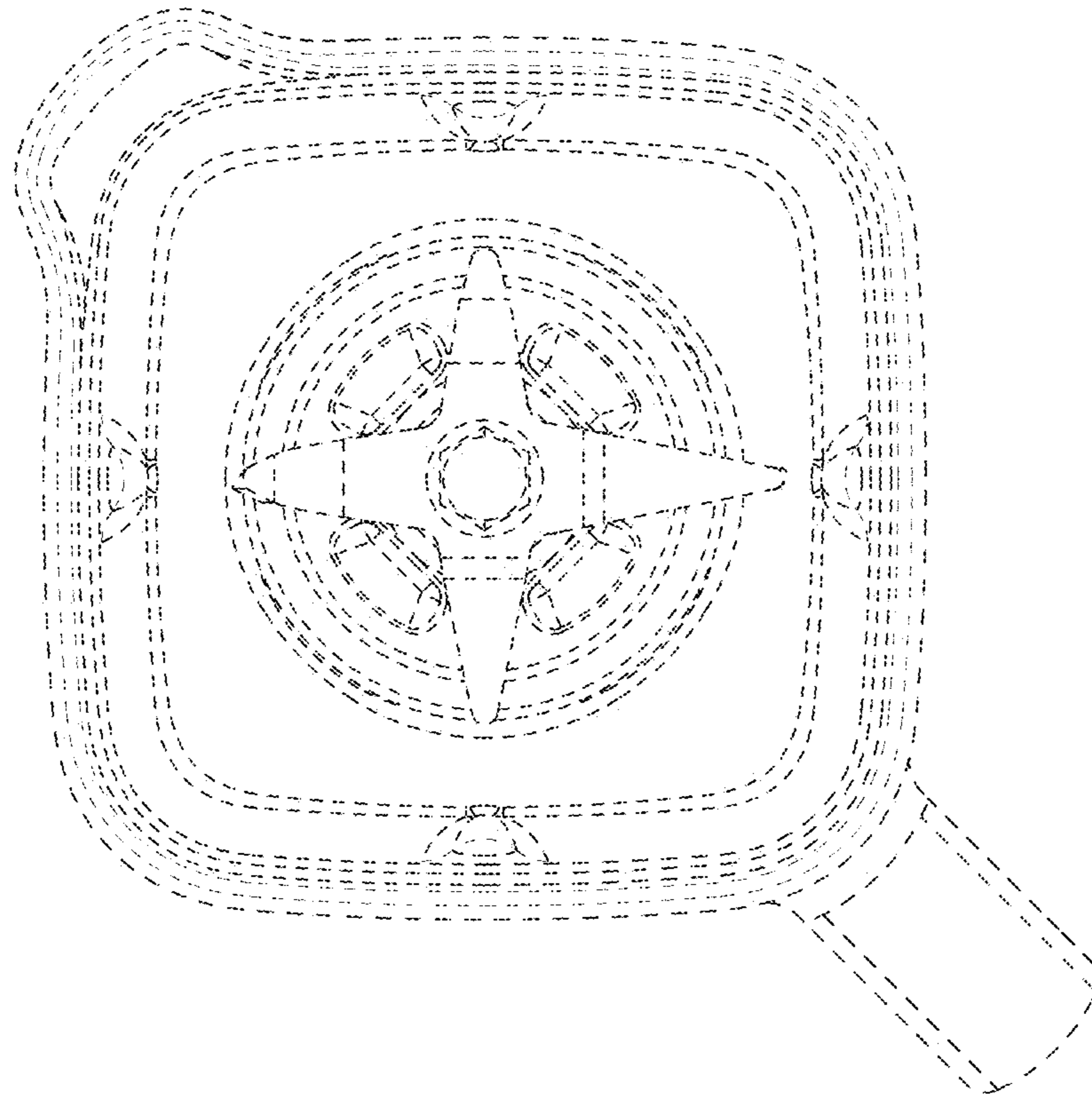


FIG. 9

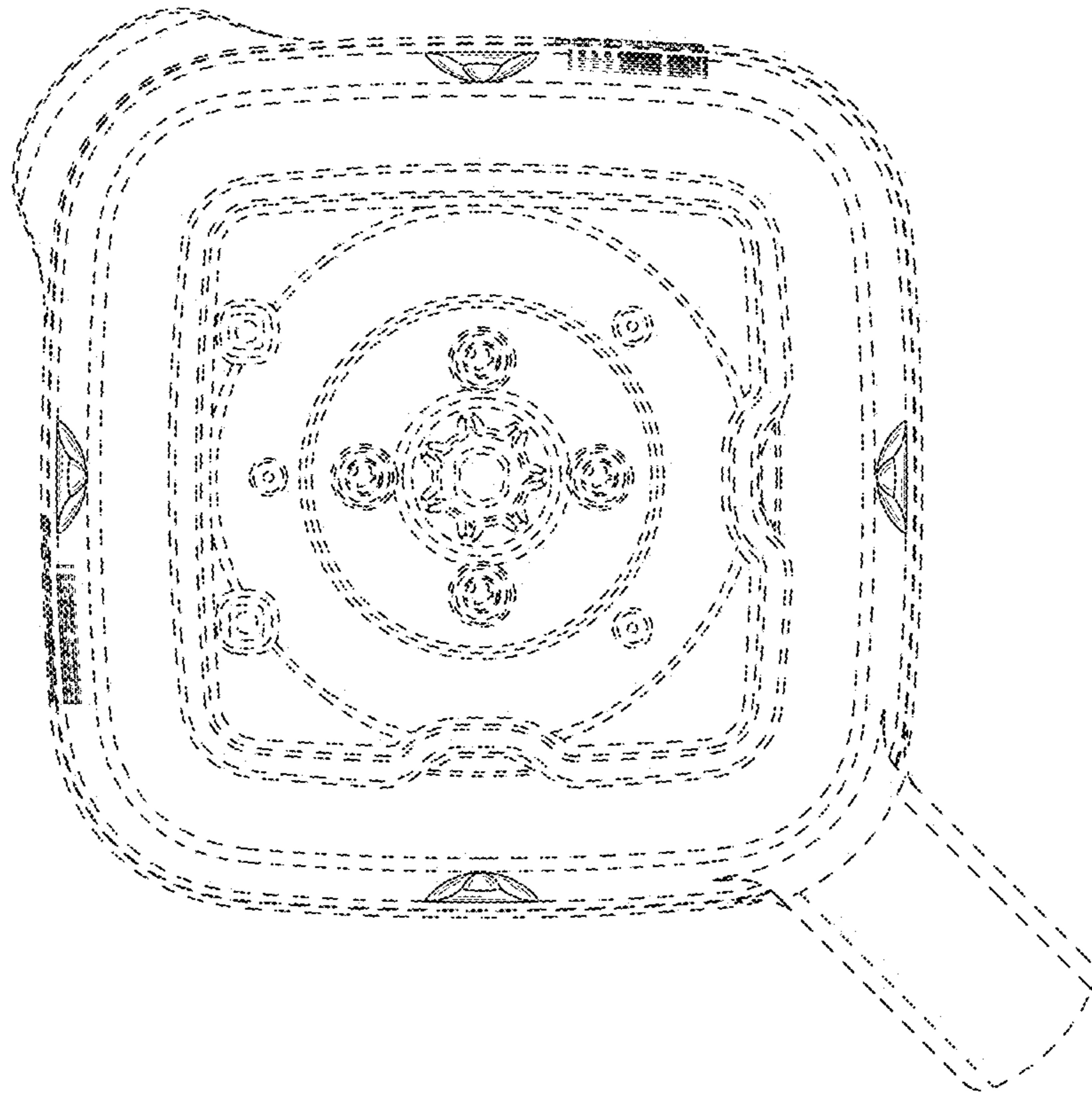


FIG. 10