



US00D979328S

(12) **United States Design Patent**
Menachem

(10) **Patent No.:** **US D979,328 S**

(45) **Date of Patent:** **** Feb. 28, 2023**

(54) **MIXER COLLAR**

(71) Applicant: **Dangot Menachem**, Rechovot (IL)

(72) Inventor: **Dangot Menachem**, Rechovot (IL)

(73) Assignee: **Dangot Menachem**, Rechovot (IL)

(**) Term: **15 Years**

(21) Appl. No.: **29/744,025**

(22) Filed: **Jul. 27, 2020**

(51) **LOC (14) Cl.** **31-00**

(52) **U.S. Cl.**

USPC **D7/412**; D7/376; D7/384

(58) **Field of Classification Search**

USPC D7/354, 372, 376–386, 396.1, 412–413,
D7/526, 538, 542, 562, 565, 566, 584,
D7/588, 602, 629, 665–666, 669, 679,
D7/693–694

CPC A21C 1/02; A21C 1/04; A21C 1/1405;
A21C 1/1415; A23N 1/00; A23N 1/02;
A47J 43/04; A47J 43/25; A47J 43/27;
A47J

(Continued)

(56) **References Cited**

U.S. PATENT DOCUMENTS

1,175,530 A * 3/1916 Kirchoff B01F 27/95
475/11
1,746,384 A * 2/1930 De Long B01F 27/805
366/288

(Continued)

OTHER PUBLICATIONS

Belleone Dough Hook for KitchenAid Mixer. Date First Available on Amazon.com Aug. 15, 2019. <https://www.amazon.com/dp/B07WDPPN7W/ref> (Year: 2019).*

Primary Examiner — Ricky Pham

(74) *Attorney, Agent, or Firm* — The IP Law Firm of Guy Levi, LLC

(57) **CLAIM**

I claim, the ornamental design for a mixer collar, as shown and described.

DESCRIPTION

FIG. 1 is a top perspective view of the mixer collar showing my new design, with the dashed line indicating a boundary to claimed subject matter, and dash-dot-dash lines and dotted lines depicting environment that form no part of the claimed design;

FIG. 2 is a bottom perspective view thereof, with the dashed line indicating a boundary to claimed subject matter, and dash-dot-dash lines and dotted lines depicting environment that form no part of the claimed design;

FIG. 3 is a bottom perspective view of FIG. 2, showing an enlarged portion thereof depicting environment that form no part of the claimed design;

FIG. 4 is a top plan view thereof, with the dashed line indicating a boundary to claimed subject matter, and dash-dot-dash lines and dotted lines depicting environment that form no part of the claimed design;

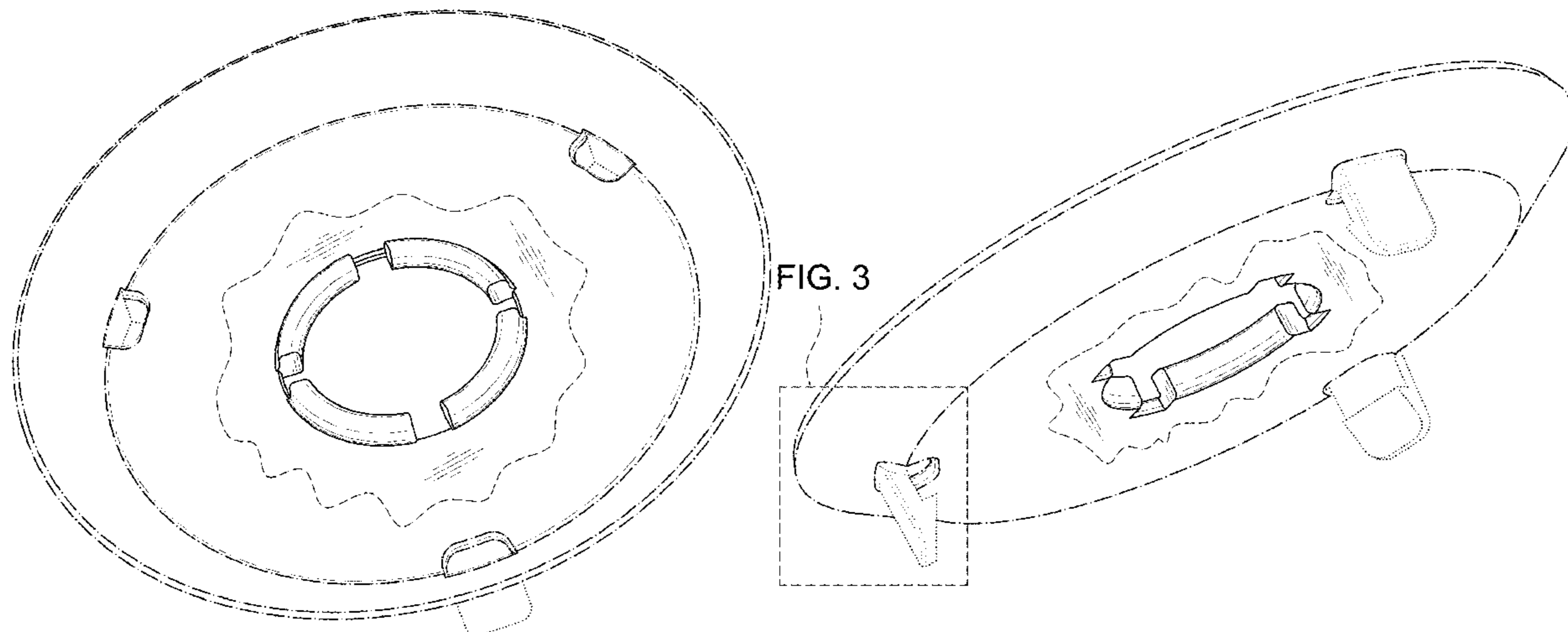
FIG. 5 is a bottom plan view thereof, with the dashed line indicating a boundary to claimed subject matter, and dash-dot-dash lines and dotted lines depicting environment that form no part of the claimed design;

FIG. 6 is a cross section view thereof taken along line A-A in FIG. 4, the other side being a mirror image thereof, with the dash-dot-dash lines and dotted lines depicting environment that form no part of the claimed design; and,

FIG. 7, is a top perspective view thereof shown in use, with the dashed line indicating a boundary to claimed subject matter, and dash-dot-dash lines and dotted lines depicting environment that form no part of the claimed design.

The claimed features illustrated in shading lines indicate curvature, and do not form a part of the presently claimed design.

1 Claim, 5 Drawing Sheets



(58) **Field of Classification Search**

CPC 43/042; A47J 43/044; A47J 43/046; A47J
 43/06; A47J 43/075; A47J 43/0705; A47J
 43/0711; A47J 43/0722; A47J 43/0727;
 A47J 43/1093; B01F 3/00; B01F 3/0807;
 B01F 3/0853; B01F 13/0059; B01F
 13/0064; B01F 27/071; B01F 27/95;
 B01F 27/1126; B02C 1/08; B02C 2/04;
 B02C 4/42; B02C 4/142; B02C 4/143;
 B02C 4/423; B02C 13/1835; B02C 7/08;
 B28C 5/10; B28C 5/12; B28C 5/14;
 B28C 5/16

See application file for complete search history.

1,820,677	A *	8/1931	Rataiczak	A47J 43/06 403/349
2,039,277	A *	5/1936	Baehr	A21C 1/1415 D7/412
2,306,245	A *	12/1942	Duke	A21C 1/02 366/98
3,576,168	A *	4/1971	Thylstrup	A21C 1/1405 366/349
4,049,243	A *	9/1977	Kramer	A47J 43/044 366/98
4,337,000	A *	6/1982	Lehmann	A47J 43/044 366/288
5,758,963	A *	6/1998	Xie	A21C 1/02 366/97
7,021,817	B2 *	4/2006	Huang	B01F 27/071 366/331
D683,585	S *	6/2013	Nordwall	D7/412
D816,407	S *	5/2018	Cottam	B02C 7/08 D7/378

(56) **References Cited**

U.S. PATENT DOCUMENTS

1,766,942 A * 6/1930 Rataiczak B01F 27/1126
 366/288

* cited by examiner

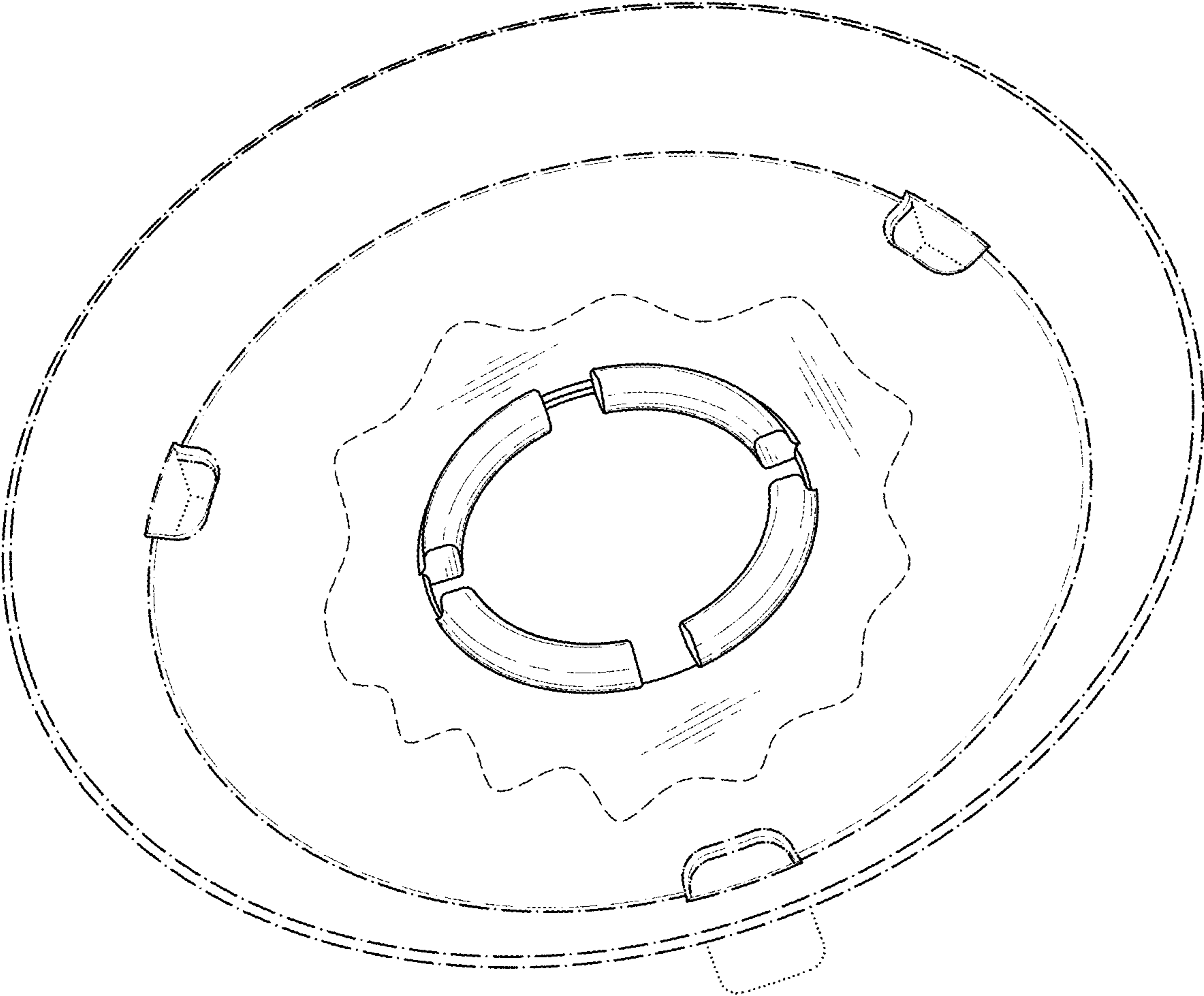


FIG. 1

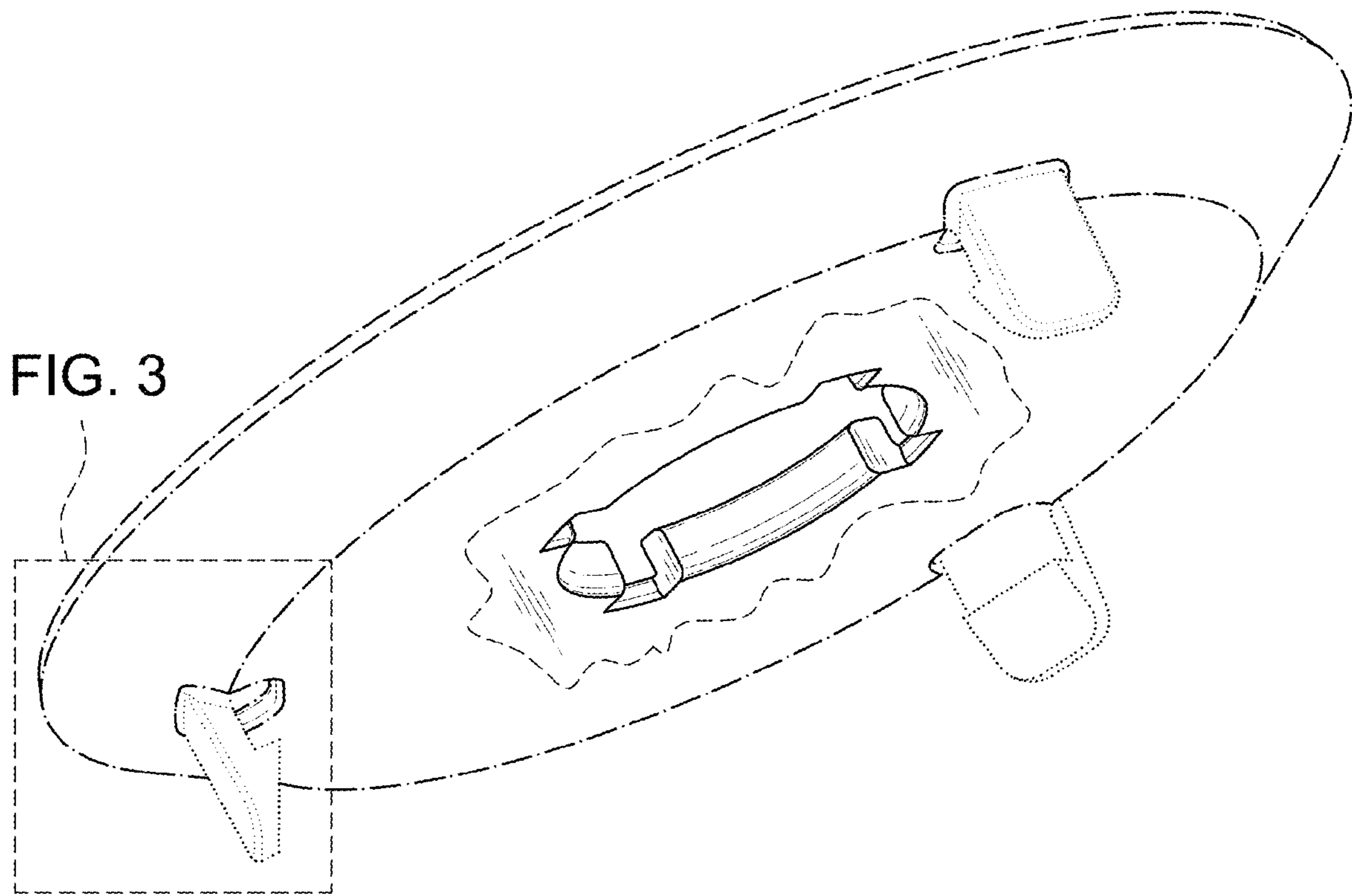


FIG. 2

FIG. 3

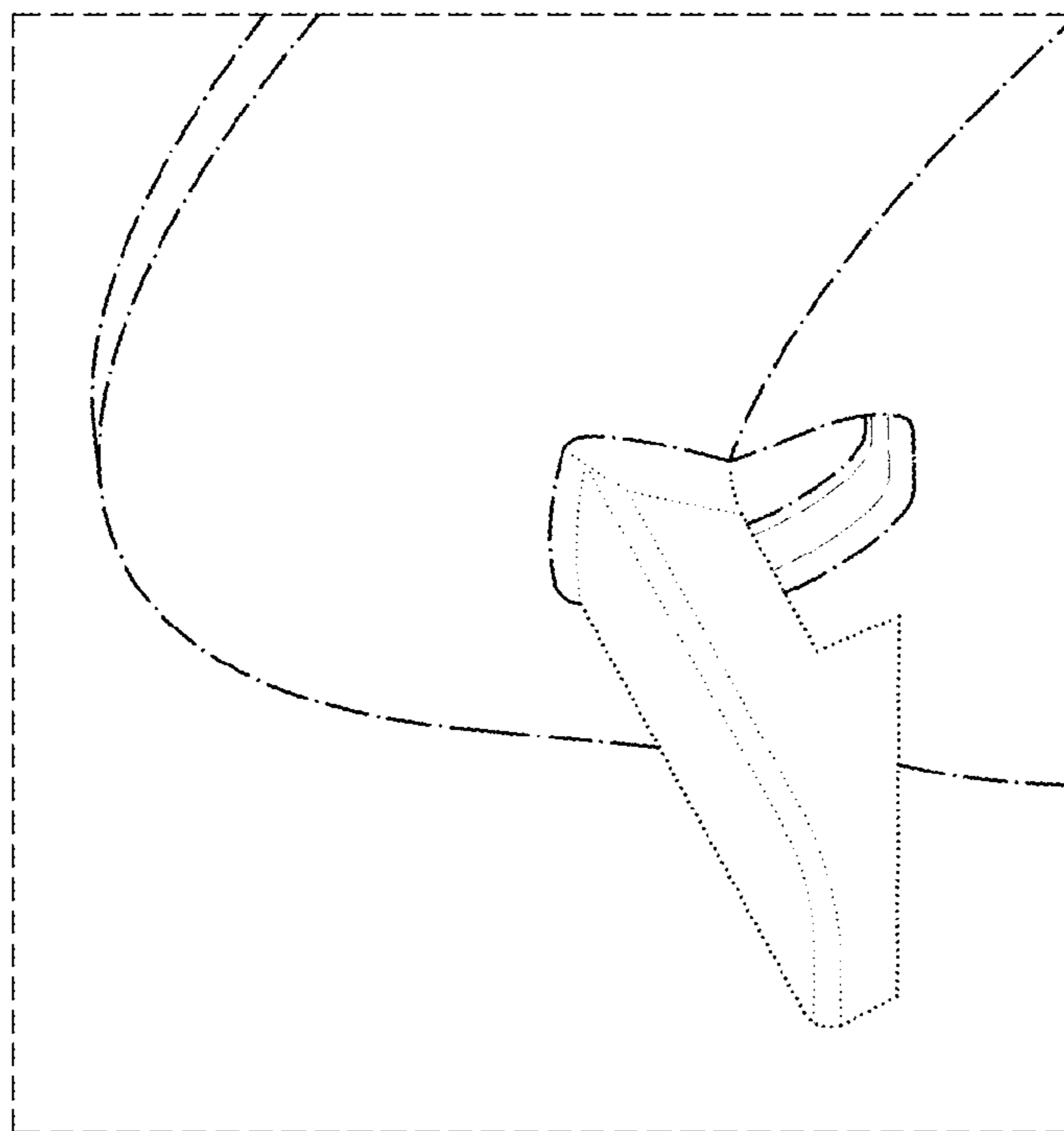


FIG. 3

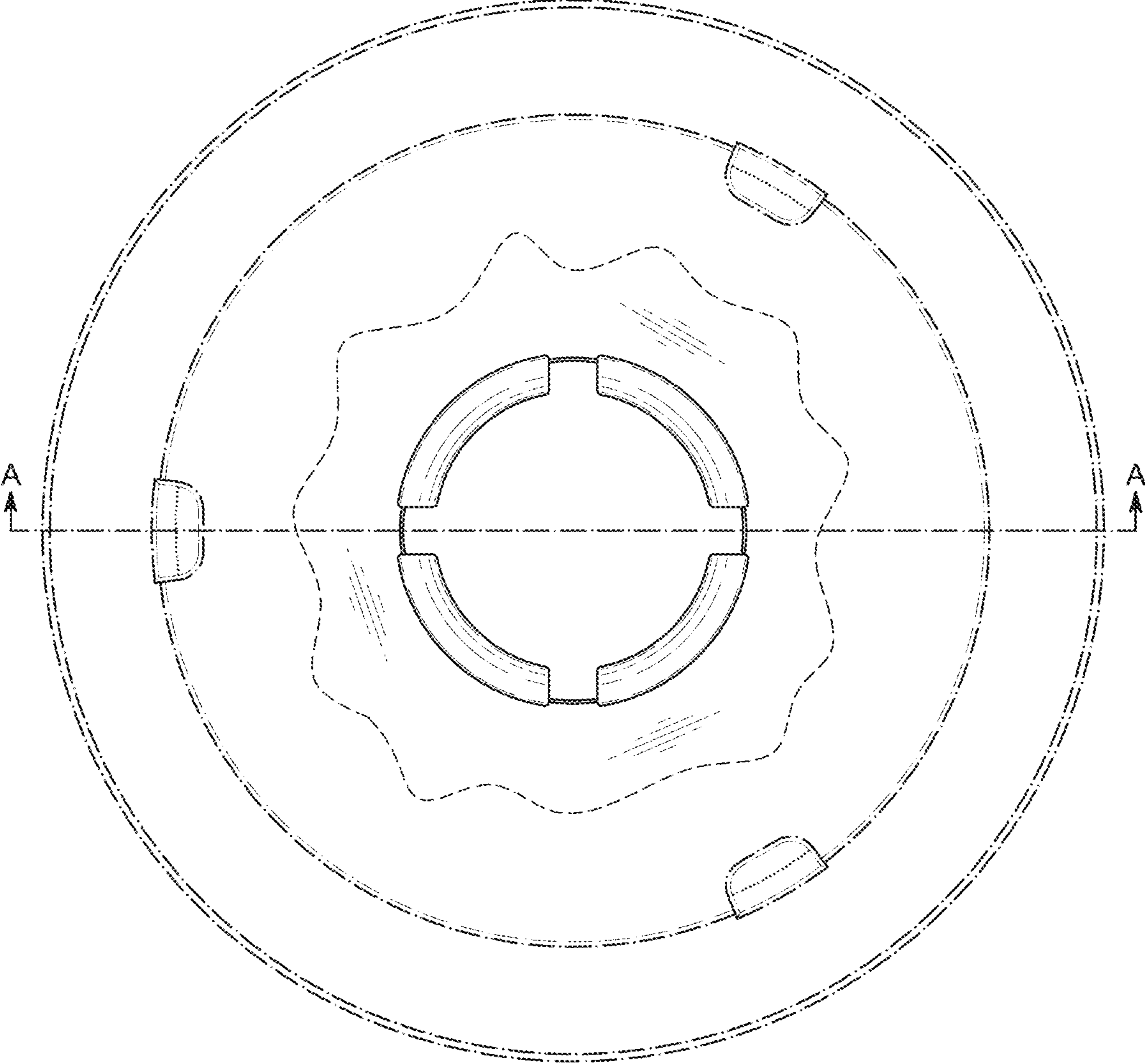


FIG. 4

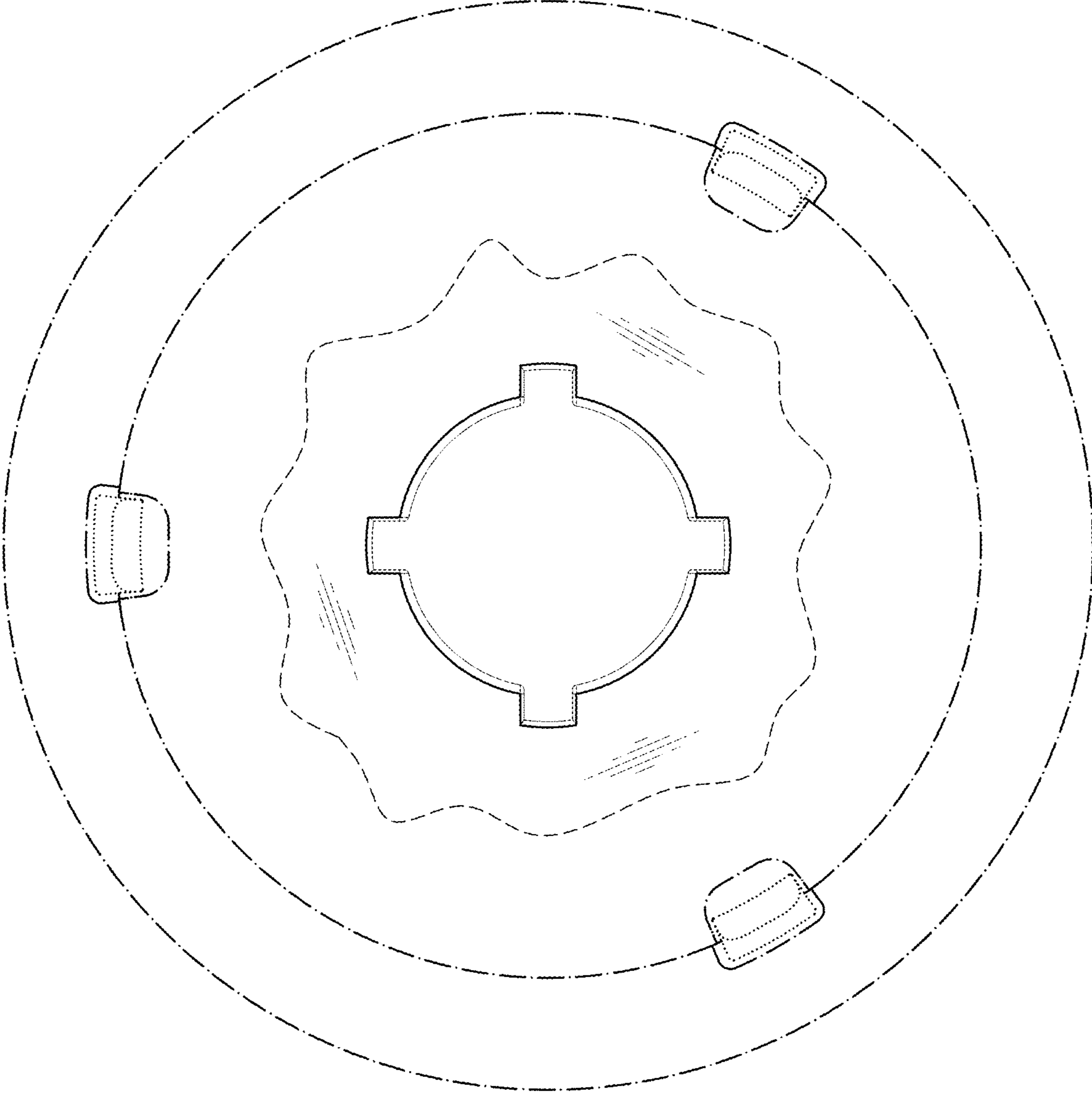


FIG. 5

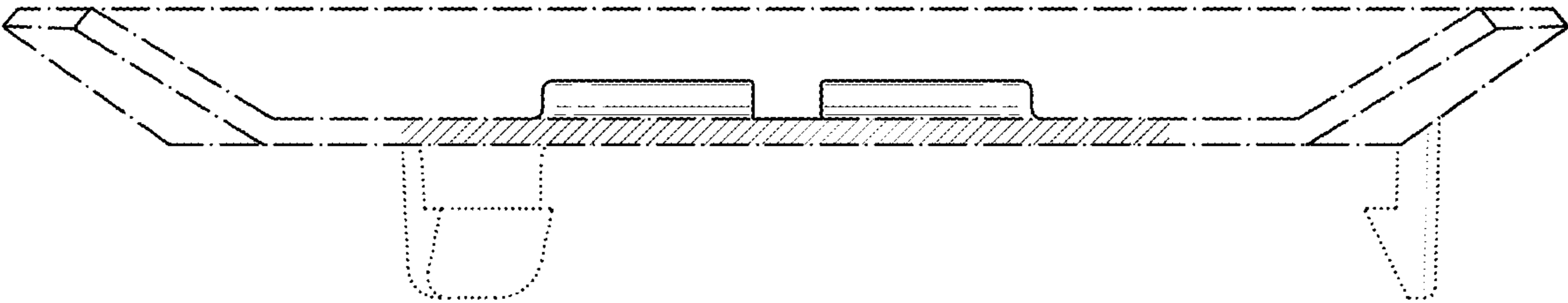


FIG. 6

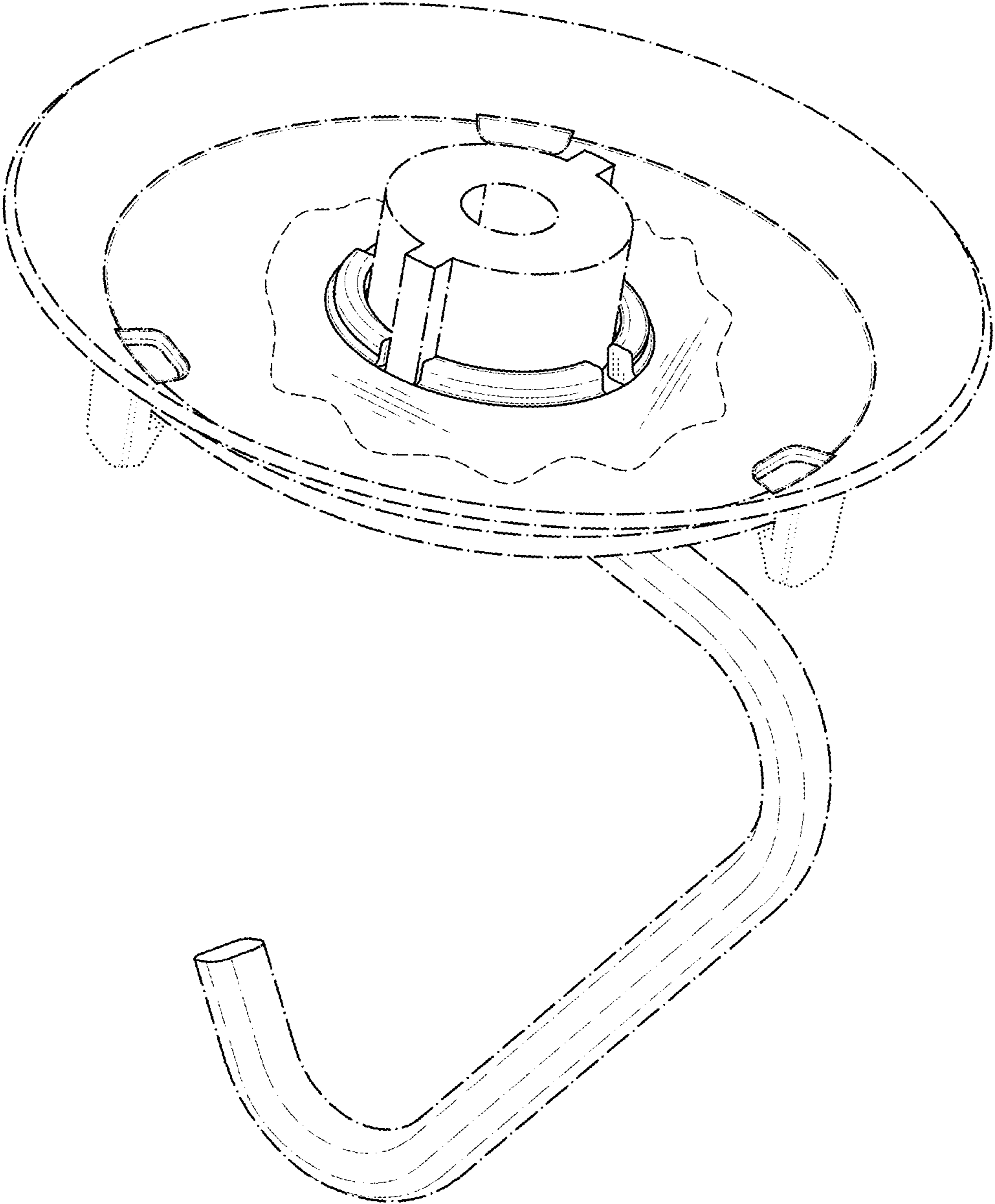


FIG. 7