



US00D979326S

(12) **United States Design Patent** (10) **Patent No.:** **US D979,326 S**
Hyde et al. (45) **Date of Patent:** **** Feb. 28, 2023**

(54) **ROTISSERIE BASKET**

6,347,577 B1 2/2002 Harneit
6,367,373 B2 4/2002 Bargman
D459,143 S * 6/2002 Pasternak D7/338
(Continued)

(71) Applicant: **Weber-Stephen Products LLC**,
Palatine, IL (US)

FOREIGN PATENT DOCUMENTS

(72) Inventors: **Christian Hyde**, Schaumburg, IL (US);
Daniel Ramirez, Des Plaines, IL (US);
Robert Farmer, Naperville, IL (US);
Romualdo Sonny Siazon, Woodstock,
IL (US); **Brian C. Donnelly**,
Naperville, IL (US); **Cassandra A. S.**
McVey, Palatine, IL (US); **Shannon**
Ella Cerny, Aurora, IL (US); **Michelle**
Stohl, Glenview, IL (US)

CA 114643 * 2/2007
CN 305129184 4/2019
(Continued)

OTHER PUBLICATIONS

(73) Assignee: **WEBER-STEPHEN PRODUCTS**
LLC, Palatine, IL (US)

Onlyfire BRK-6039 Stainless Steel Universal Rotisserie Grill, Apr.
13, 2018, <https://www.amazon.co.uk/Onlyfire-BRK-6039-Stainless-Universal-Rotisserie/dp/B07GLLTQF2> (Year: 2018).*
(Continued)

(**) Term: **15 Years**

Primary Examiner — Christian P. McLean
Assistant Examiner — Nader Abadir

(21) Appl. No.: **29/788,854**

(74) *Attorney, Agent, or Firm* — Hanley, Flight &
Zimmerman, LLC

(22) Filed: **Aug. 5, 2021**

(57) **CLAIM**

(51) **LOC (14) Cl.** **07-02**

The ornamental design for a “rotisserie basket”, as shown
and described.

(52) **U.S. Cl.**

USPC **D7/409**

DESCRIPTION

(58) **Field of Classification Search**

USPC D7/402, 407, 409; D23/330
CPC A47J 37/0786; A47J 33/00; A47J 37/047;
B65D 25/32

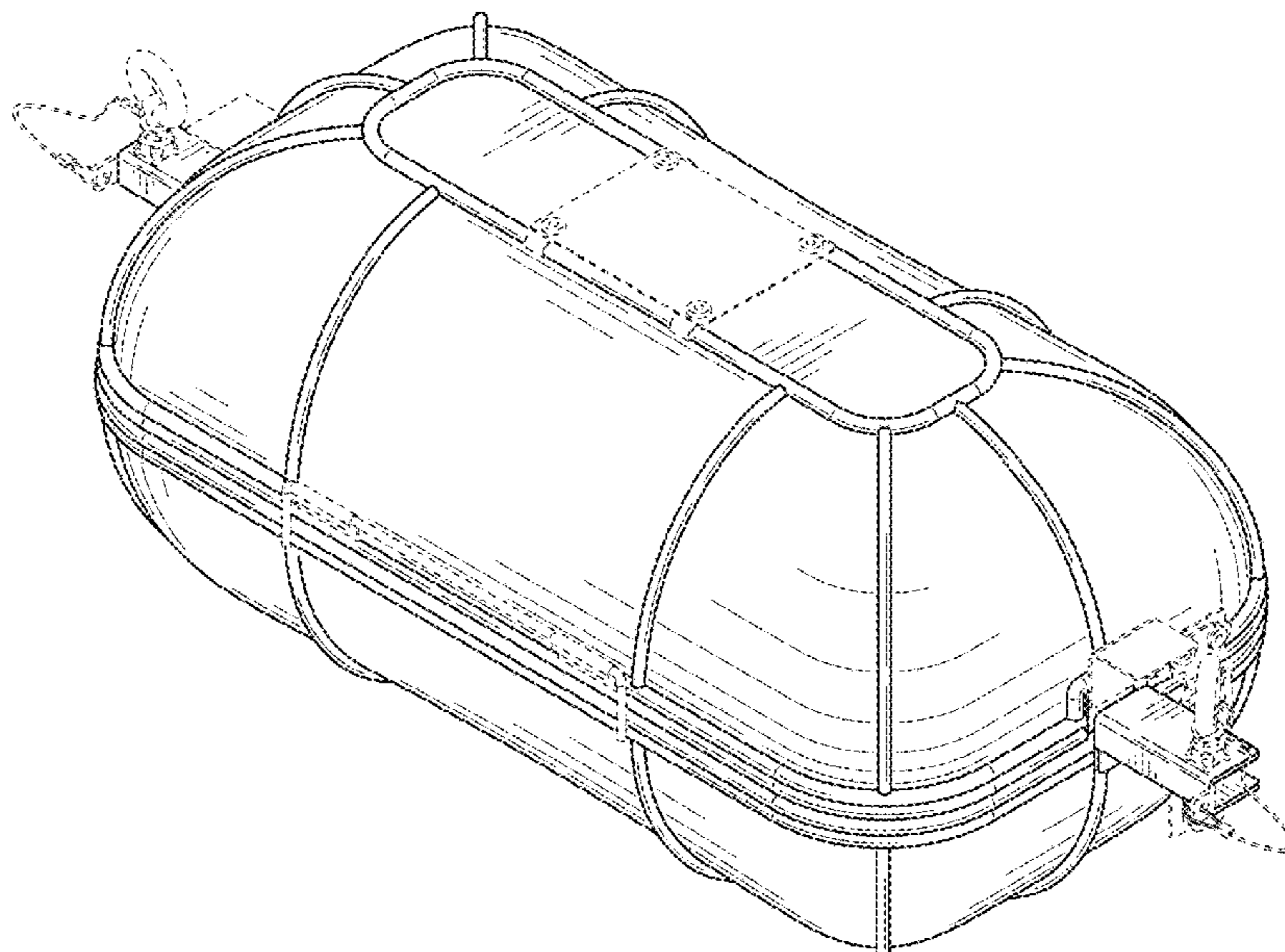
See application file for complete search history.

(56) **References Cited**

U.S. PATENT DOCUMENTS

2,882,812 A 4/1959 Greenwald
D303,910 S * 10/1989 Sjoberg D7/402
5,497,697 A * 3/1996 Promny A47J 37/047
D7/354
6,173,645 B1 1/2001 Backus et al.

1 Claim, 7 Drawing Sheets



(56)

References Cited

U.S. PATENT DOCUMENTS

6,450,087	B2	9/2002	Backus et al.	
6,561,083	B2	5/2003	Hsu	
6,568,315	B2	5/2003	Backus et al.	
6,965,095	B1	11/2005	Popeil et al.	
7,138,609	B2	11/2006	Popeil et al.	
D581,266	S *	11/2008	Vovan	D9/429
7,500,428	B2	3/2009	Backus et al.	
7,514,651	B2	4/2009	Popeil et al.	
8,017,167	B2	9/2011	Backus et al.	
D650,228	S *	12/2011	Gardner	D7/354
8,850,966	B2	10/2014	Dondurur et al.	
9,055,755	B2 *	6/2015	Richter	A23L 3/0155
D749,358	S *	2/2016	Hyp	D7/402
D749,900	S *	2/2016	Hyp	D7/402
D771,994	S *	11/2016	Zemel	D7/338
D777,516	S *	1/2017	Hunsaker	D7/417
9,820,608	B2	11/2017	Kessell	
10,136,760	B2	11/2018	Markussen et al.	
D863,884	S *	10/2019	Prior	D7/354
10,638,877	B2	5/2020	Kessell	
D961,329	S *	8/2022	Yan	D7/402
2009/0277339	A1	11/2009	Andrade	
2017/0215638	A1 *	8/2017	Markussen	A47J 37/0786
2018/0317703	A1	11/2018	Khachatryan	
2019/0082883	A1	3/2019	Jones et al.	
2019/0208958	A1	7/2019	Zhang	

FOREIGN PATENT DOCUMENTS

EM	001481840-0003	*	7/2021
EM	001481840-0005	*	7/2021

OTHER PUBLICATIONS

Onlyfire BRK-6041 17 inch Stainless Steel Round Tumble Rotisserie Spit Rod Basket, Aug. 1, 2018, <https://www.amazon.co.uk/>

Onlyfire-BRK-6041-Stainless-Rotisserie-40×17×15-5cm/dp/B07FFP9X2T (Year: 2018).*

MOVKZACV Rotisserie Basket Grill, Mar. 1, 2021, <https://www.amazon.co.uk/MOVKZACV-Rotisserie-Stainless-Roaster-Rotatable/dp/B08XQCTQG1> (Year: 2021).*

Kisbeibi BBQ Rolling Grill Basket Stainless Steel Grill, May 25, 2022, <https://www.amazon.co.uk/Kisbeibi-Rolling-Stainless-Rotisserie-Electric/dp/B0B27L4RZC> (Year: 2022).*

Lasdolod Rotisserie Grill Basket, Dec. 26, 2020, <https://www.amazon.com/Rotisserie-Stainless-Grilling-12x23cm-Roaster/dp/B08RC6V7RG> (Year: 2020).*

GazyGrill 64000 Rotisserie Basket Grill Accessory, Mar. 13, 2022, <https://www.amazon.com/Rotisserie-Accessory-Stainless-Capacity-Universal/dp/B09VFQQ32K> (Year: 2022).*

Japan Patent Office, "Notice of Allowance," issued in connection with Japanese Patent Application No. 2021-23515, dated Mar. 28, 2022, 6 pages. (Non-certified machine translation included).

Taiwan Patent Office, "Allowance Decision of Examination and Search Report," issued in connection with Taiwanese Patent Application No. 110305914, dated Apr. 6, 2022, 5 pages.

IP Australia, "Certificate of Examination," issued in connection with Australian Patent Application No. 202117220, dated May 16, 2022, 2 pages.

European Union Intellectual Property Office, "Certificate of Registration No. 008729958-0001," issued on Oct. 18, 2021, 6 pages.

United Kingdom Intellectual Property Office, "Certificate of Registration No. 6170674," issued on Oct. 18, 2021, 5 pages.

IP Australia, "Certificate of Registration No. 202117220," issued on Jan. 7, 2022, 10 pages.

Korean Intellectual Property Office, "Notice of Registration Decision," issued in connection with Korean Patent Application No. 30-2021-0055479, dated Jun. 30, 2022, 3 pages.

Taiwan Patent Office, "Patent Certificate No. D219919," issued in connection with Taiwanese Patent Application No. 110305914, dated Jul. 11, 2022, 5 pages.

Mexican Institute of Industrial Property, "Notice of Allowance," issued in connection with Mexican Industrial Design Registration No. MX/f/2021/003754, dated Sep. 2, 2022, 5 pages. (Non-Certified Machine Translation Included).

* cited by examiner

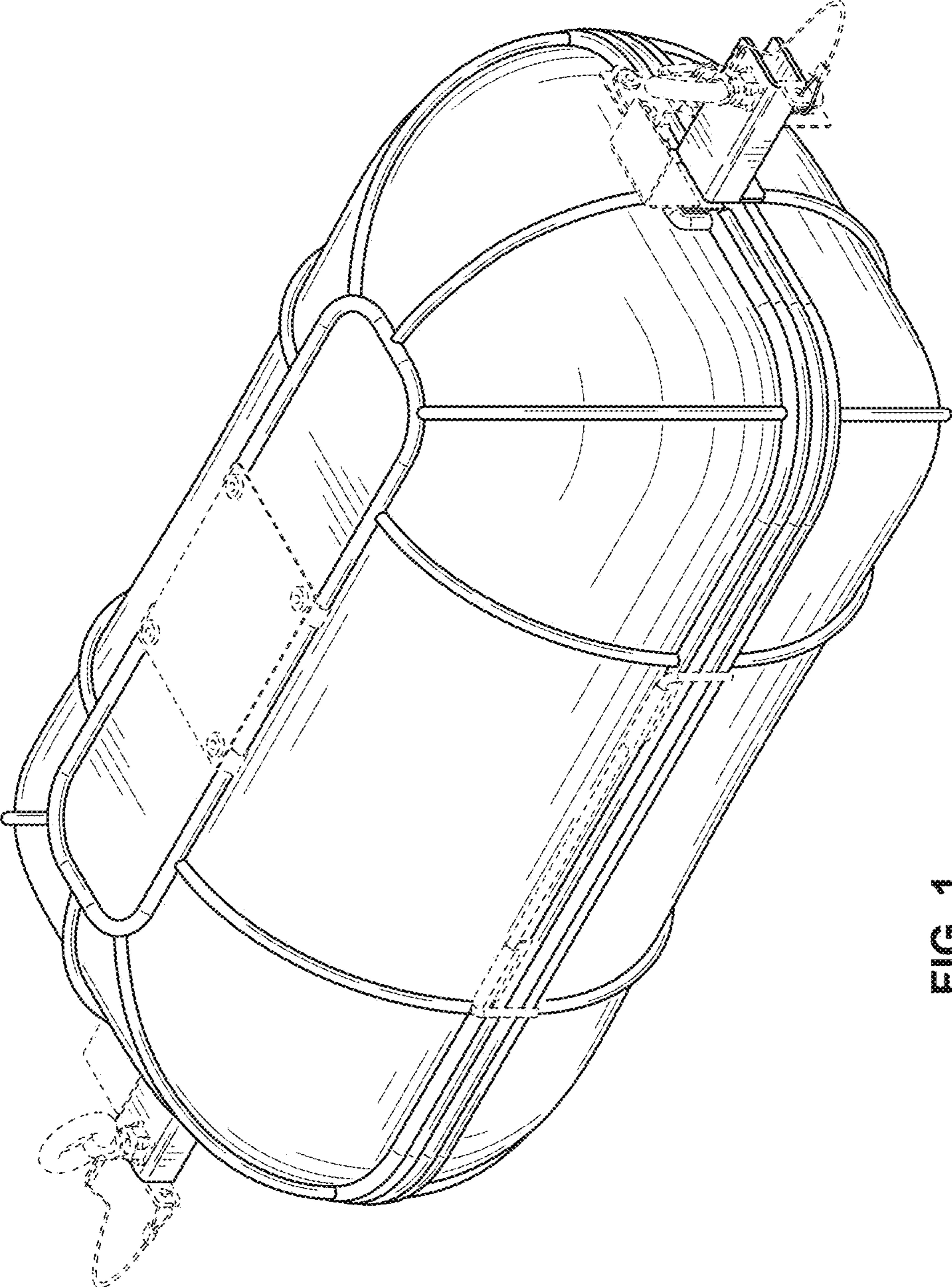


FIG. 1

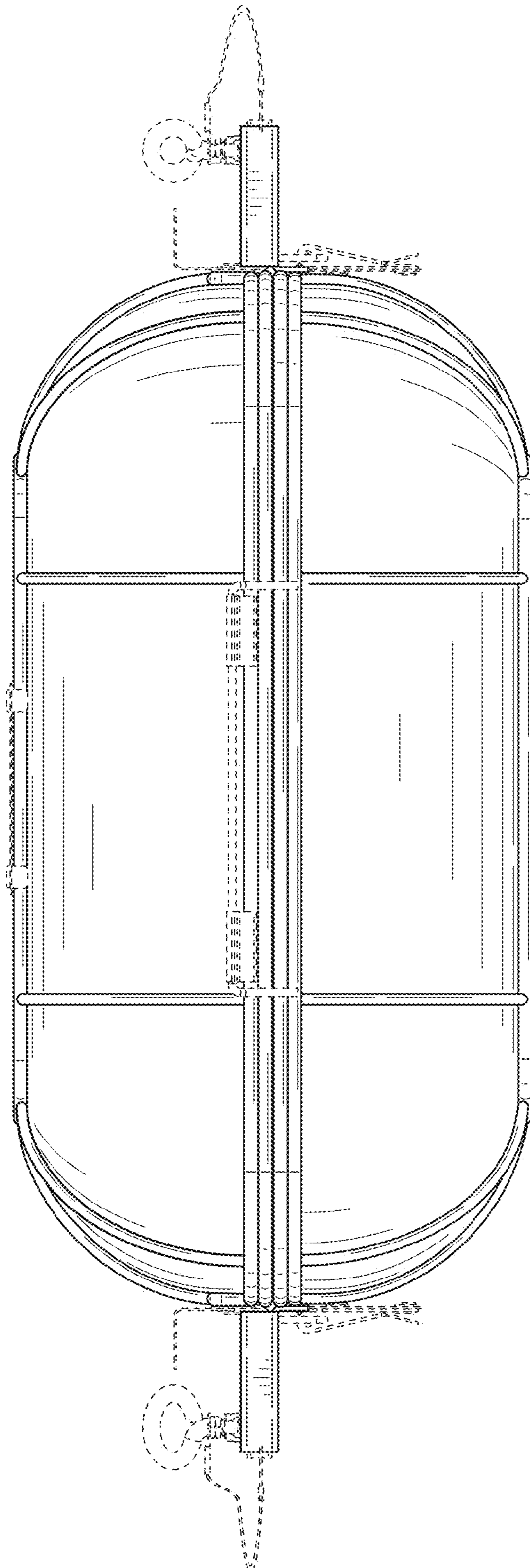


FIG. 2

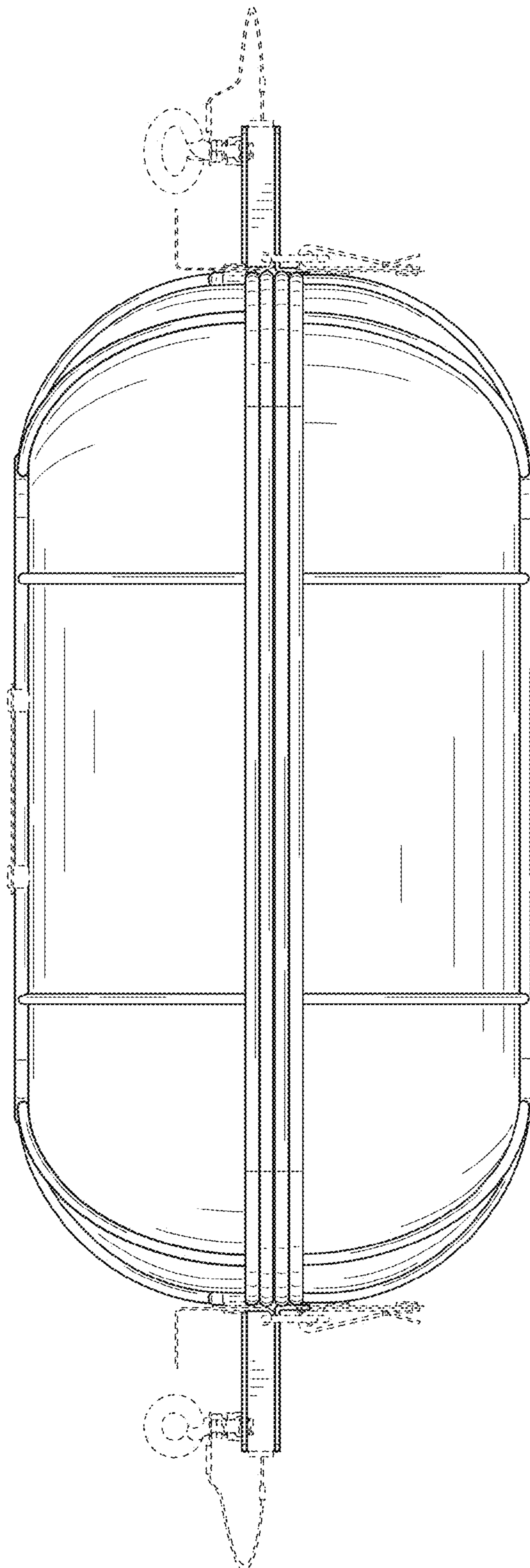


FIG. 3

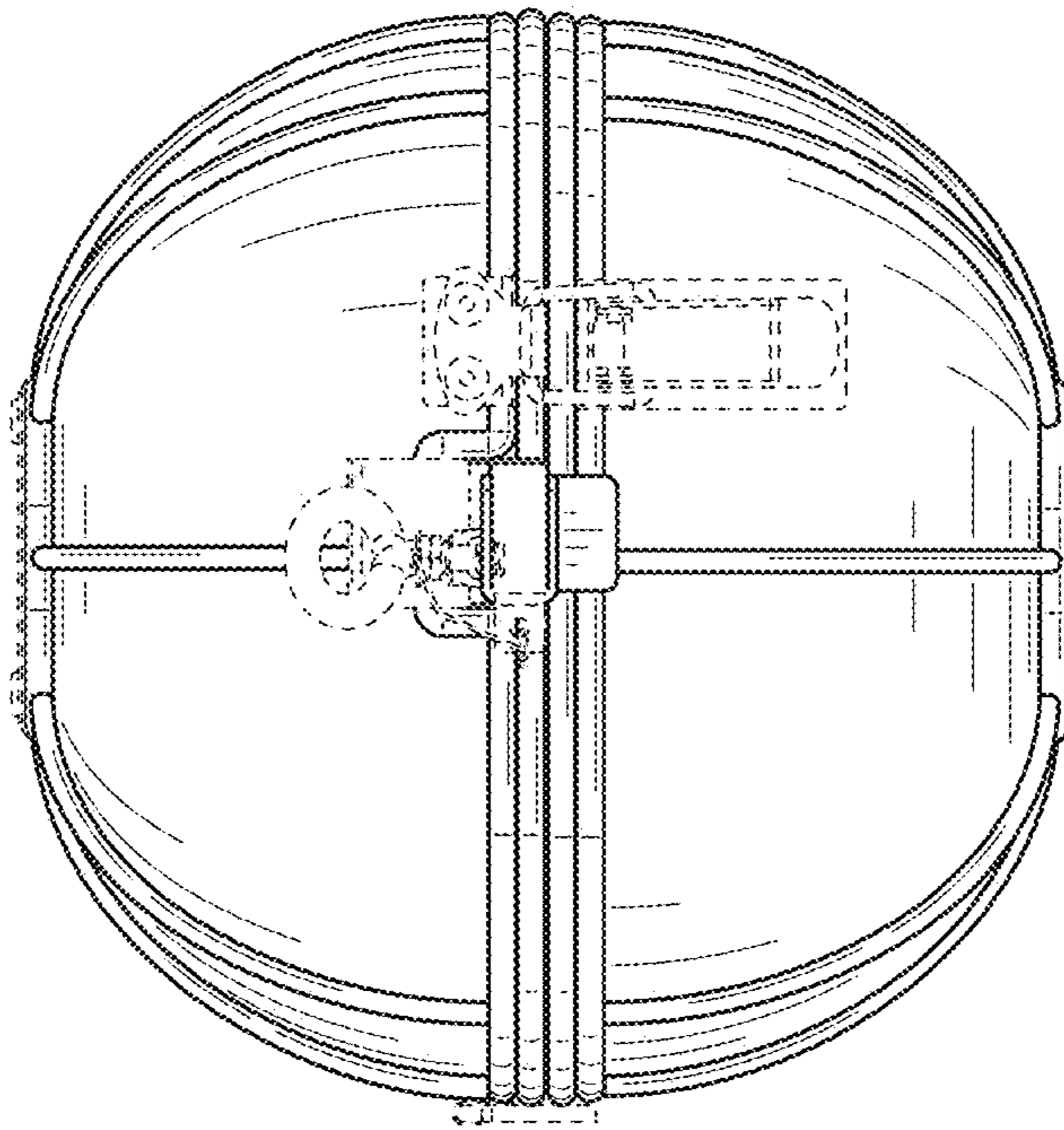


FIG. 4

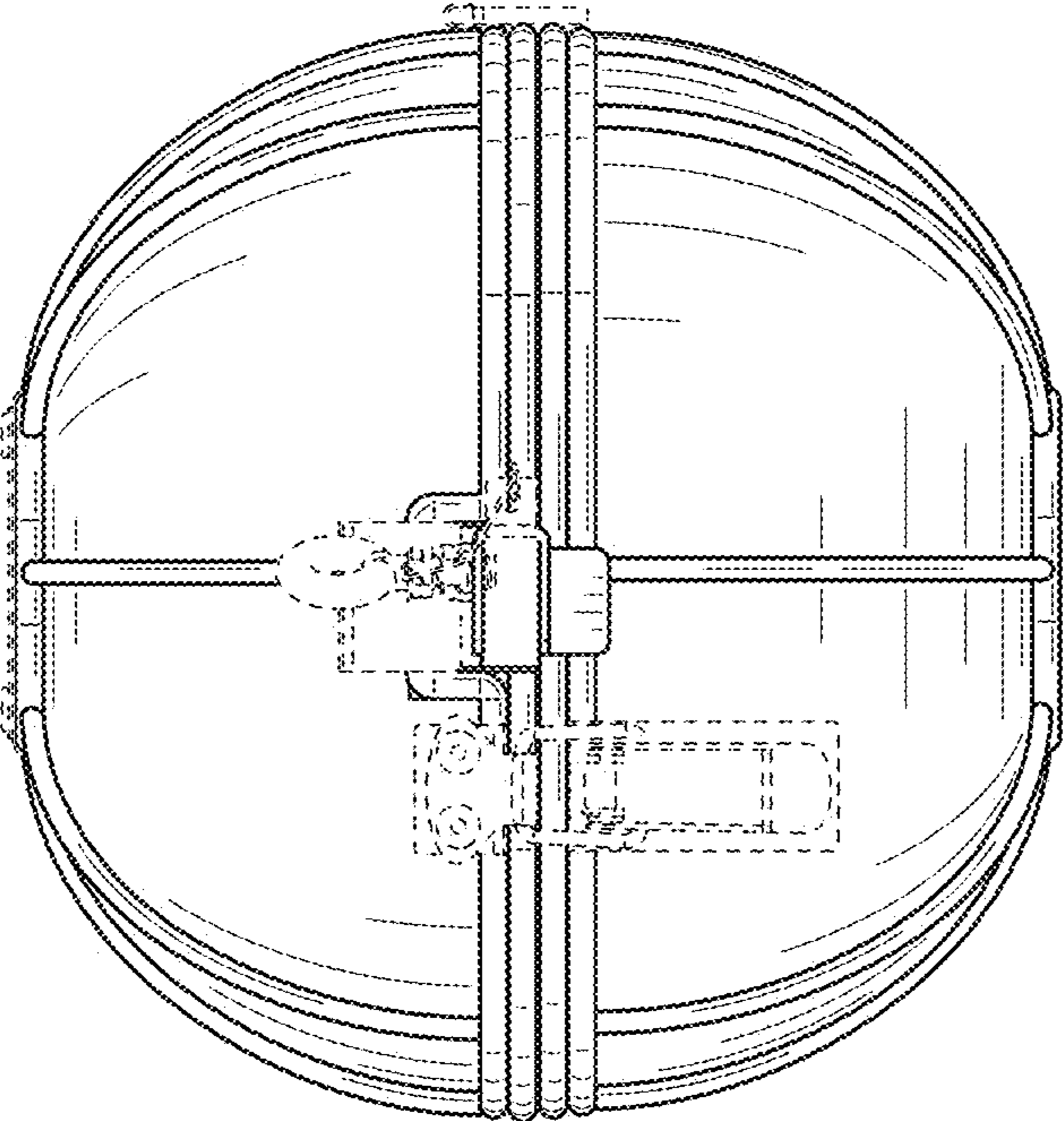


FIG. 5

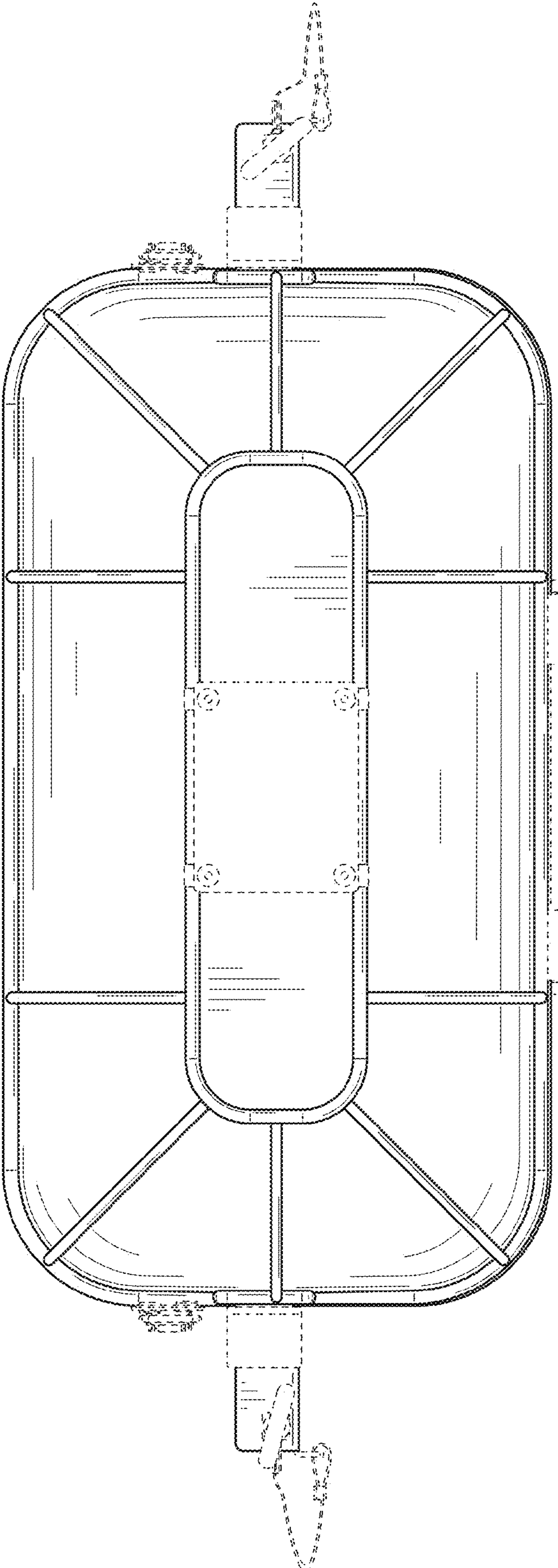


FIG. 6

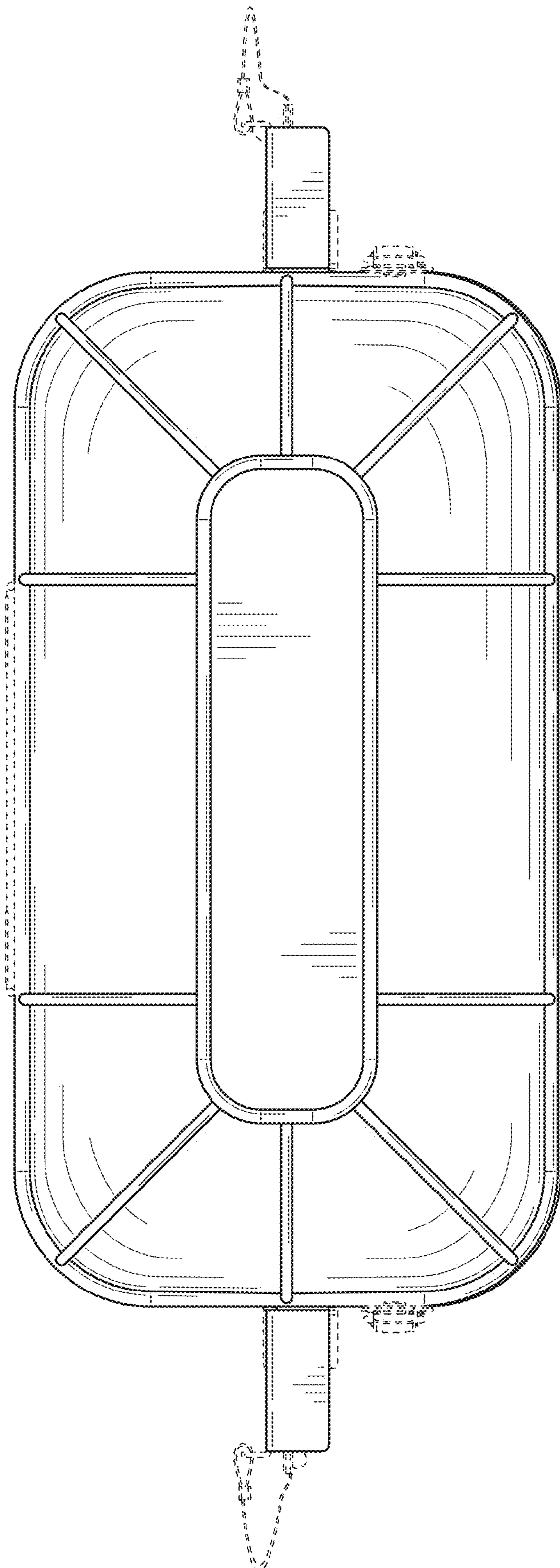


FIG. 7