



US00D979324S

(12) **United States Design Patent** (10) **Patent No.:** **US D979,324 S**
Bertozzini (45) **Date of Patent:** **** Feb. 28, 2023**

(54) **HANDLE FOR A KITCHEN UTENSIL**

(71) Applicant: **TVS S.p.A.**, Fermignano (IT)

(72) Inventor: **Giuseppe Alberto Bertozzini**,
Fermignano (IT)

(73) Assignee: **TVS S.P.A.**, Fermignano (IT)

(**) Term: **15 Years**

(21) Appl. No.: **35/512,692**

(22) Filed: **Jun. 29, 2021**

(80) **Hague Agreement Data**

Int. Filing Date: **Jun. 29, 2021**

Int. Reg. No.: **DM/216491**

Int. Reg. Date: **Jun. 29, 2021**

Int. Reg. Pub. Date: **Oct. 8, 2021**

(30) **Foreign Application Priority Data**

Dec. 29, 2020 (EM) 8373922

(51) **LOC (14) Cl.** **07-02**

(52) **U.S. Cl.**

USPC **D7/393**; D7/395

(58) **Field of Classification Search**

USPC D7/323, 354, 360, 361, 387, 391,
D7/393-396, 402; D8/300, 307,
D8/310-312; D21/525

CPC A47J 36/00; A47J 36/025; A47J 36/06;
A47J 36/08; A47J 37/10; A47J 37/101;
A47J 45/00; A47J 45/06; A47J 45/061;
A47J 45/062; A47J 45/063; A47J 45/065;
A47J 45/066; A47J 45/067; A47J 45/07;
A47J 45/071; A47J 45/072; A47J 45/074;
A47J 45/075; A47J 45/077; A47J 45/078;
A47J 45/08; A47B 95/02; A47B
2095/024; A47B 2095/028

See application file for complete search history.

(56) **References Cited**

U.S. PATENT DOCUMENTS

D276,022	S	*	10/1984	Bowen	A47J 45/061
						D7/360
D452,413	S	*	12/2001	Rae	D7/393
D463,714	S	*	10/2002	Munari	D7/395
D498,639	S	*	11/2004	Brasset	D7/360
D568,092	S	*	5/2008	Boes	D7/354
D628,851	S	*	12/2010	Bergne	D7/354
D630,469	S	*	1/2011	Cagani	D7/393
D674,652	S	*	1/2013	Chen	D7/354
D747,919	S	*	1/2016	Dodane	D7/393
D818,311	S	*	5/2018	Munari	D7/393
D898,508	S	*	10/2020	Barberi	D7/393
D913,038	S	*	3/2021	Truong	D7/393
D923,398	S	*	6/2021	Dodane	D7/393

(Continued)

OTHER PUBLICATIONS

Tefal Ultimate Non-Stick Induction 30cm Frypan, Myer, [online], [site visited Oct. 11, 2022], Available from internet URL: <https://www.myer.com.au/p/tefal-ultimate-non-stick-induction-frypan-30cm> (Year: 2022).*

Primary Examiner — Mary Ann Calabrese

Assistant Examiner — Natalya M Rapundalo

(74) *Attorney, Agent, or Firm* — Tutunjian & Bitetto, P.C.

(57) **CLAIM**

The ornamental design for a handle for a kitchen utensil, as shown and described.

DESCRIPTION

3. Handle for a kitchen utensil

3.1 is a top view.

3.2 is a bottom view.

3.3 is a left side view.

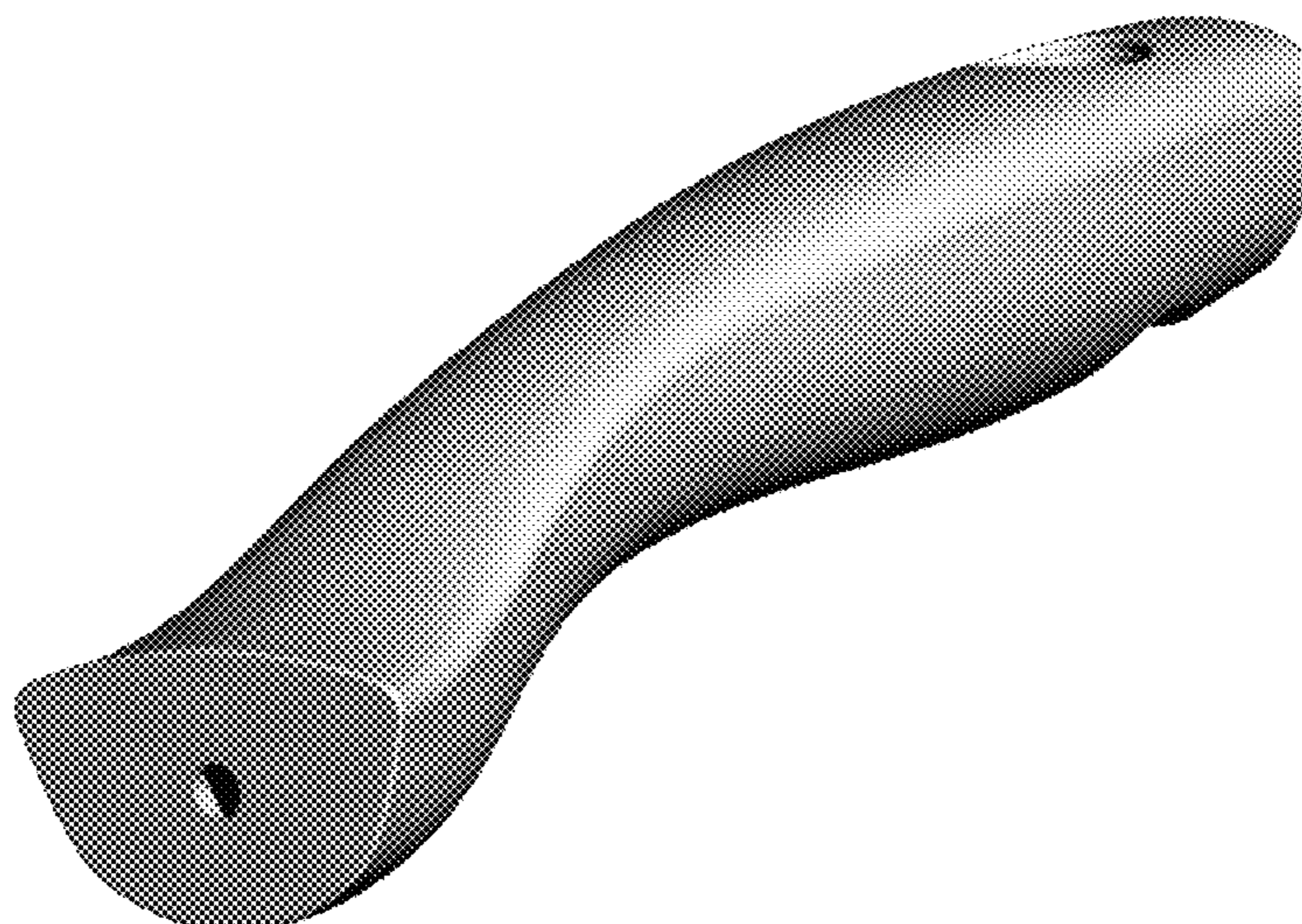
3.4 is a rear view.

3.5 is a front view.

3.6 is a right side view.

3.7 is a perspective view.

1 Claim, 7 Drawing Sheets



(56)

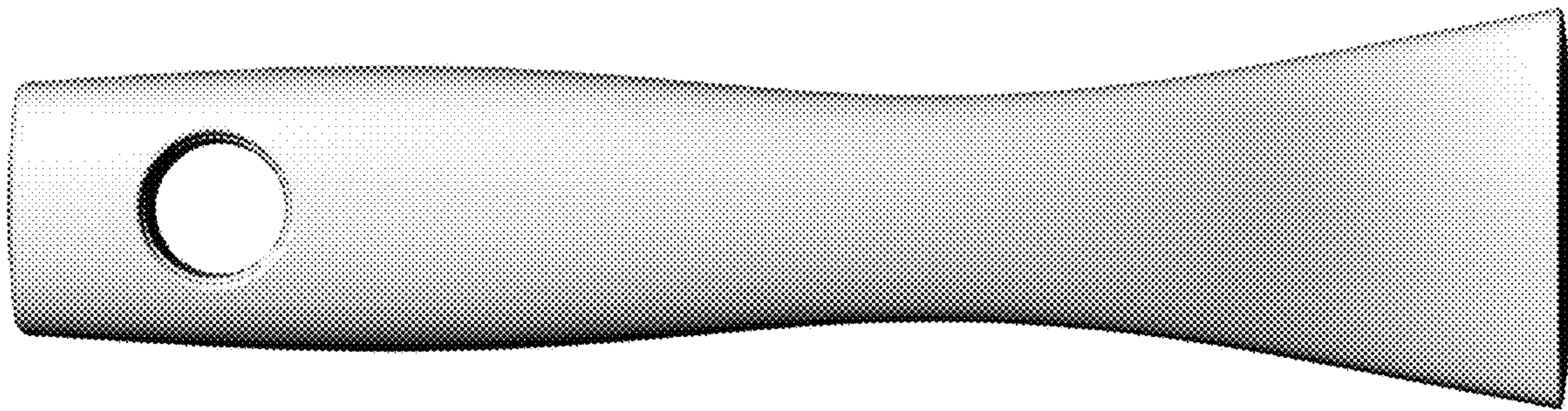
References Cited

U.S. PATENT DOCUMENTS

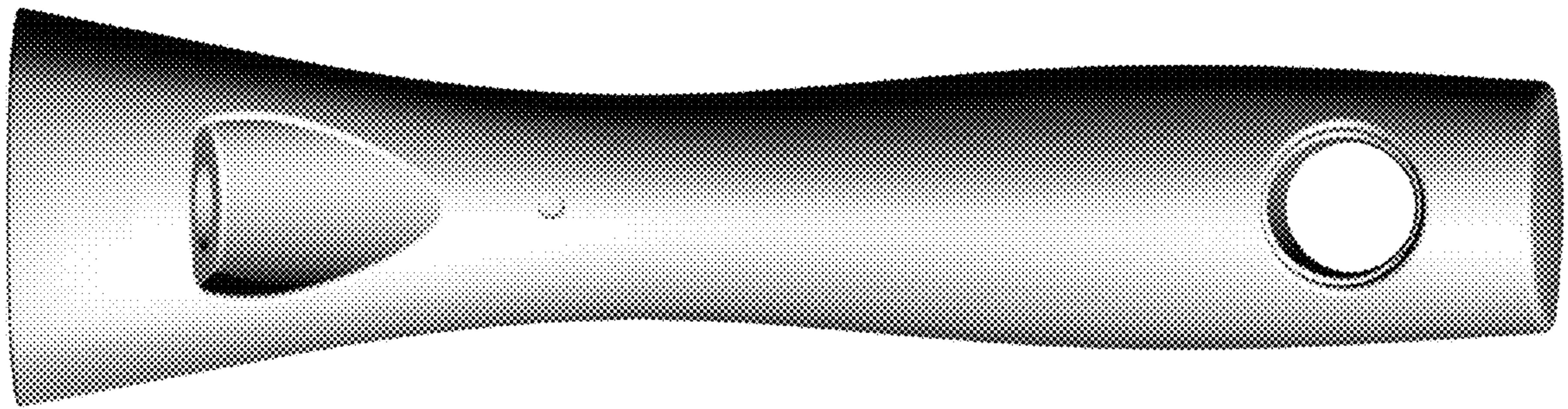
D941,630 S * 1/2022 Hoff D7/395
2021/0235938 A1 * 8/2021 Bertozzini A47J 45/061

* cited by examiner

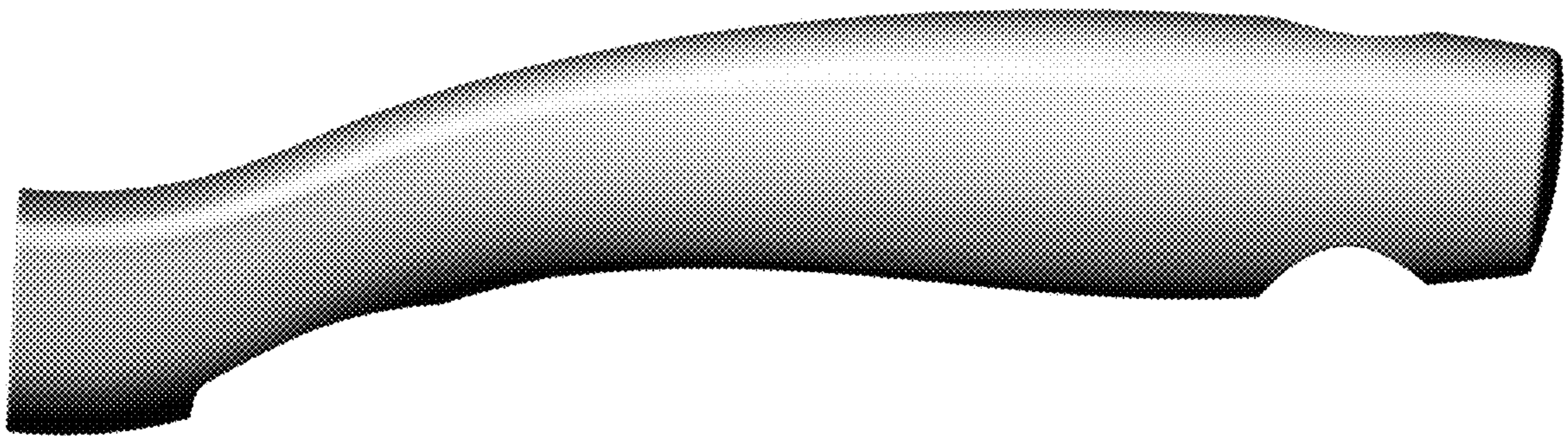
3.1



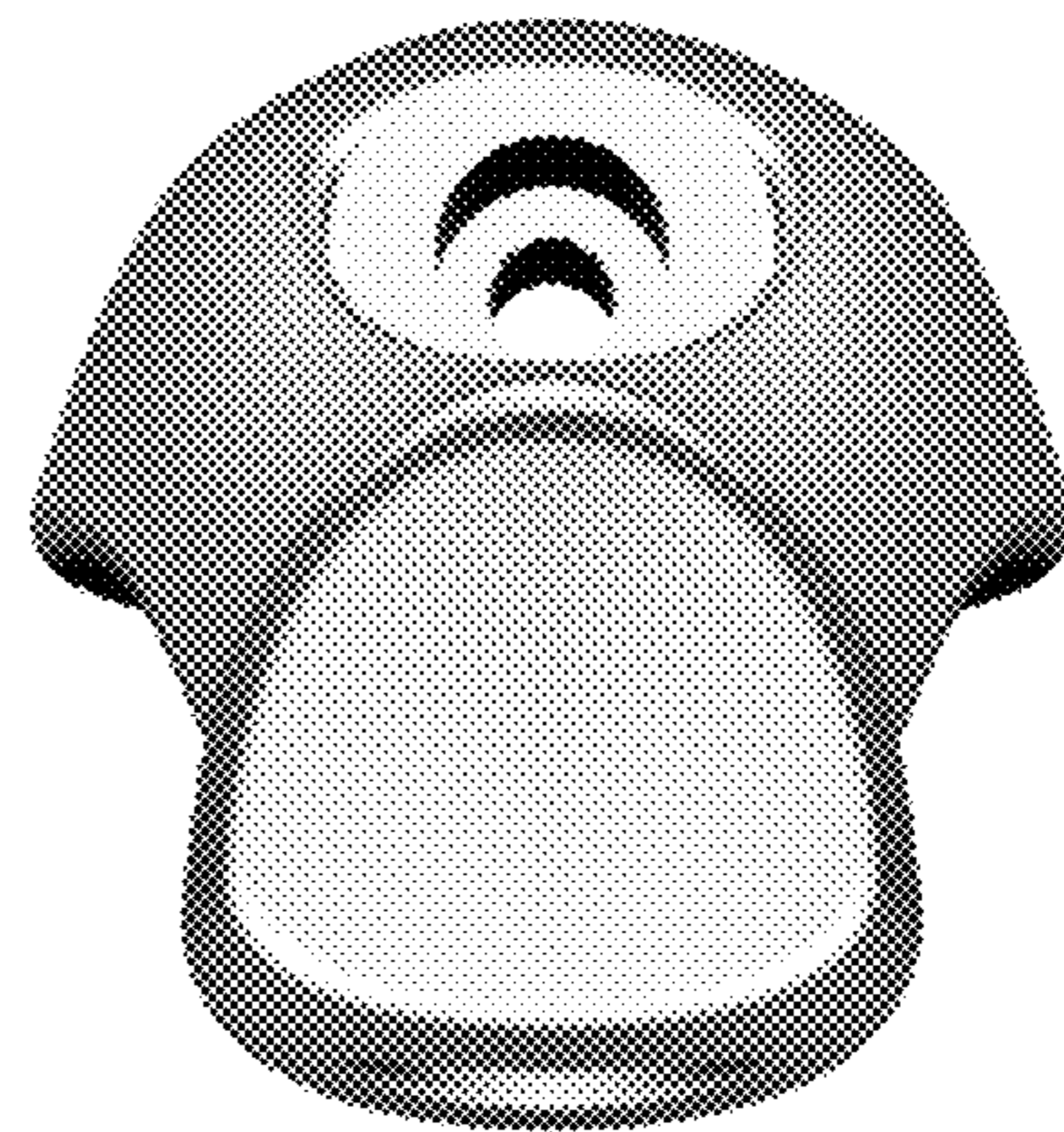
3.2



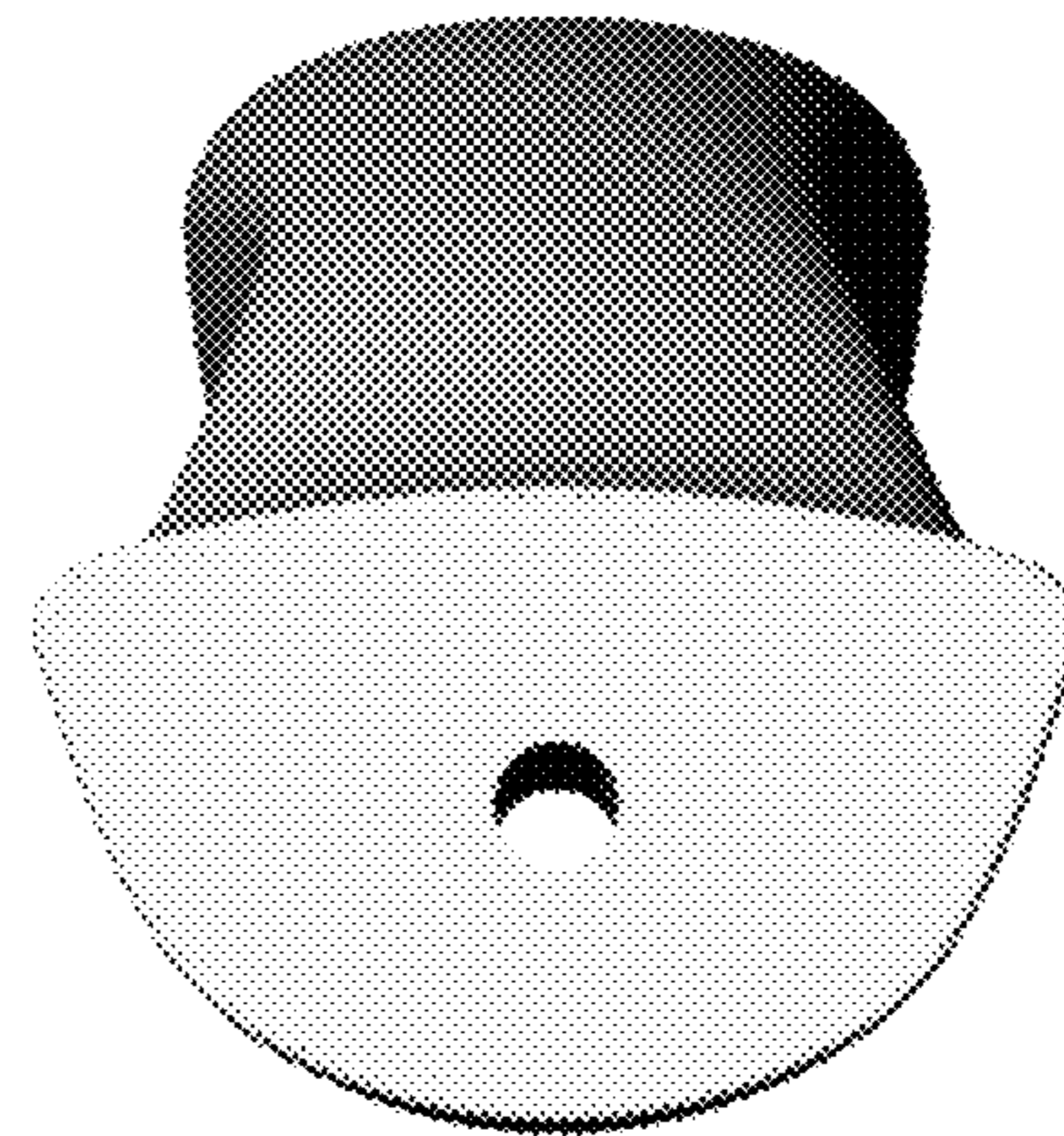
3.3



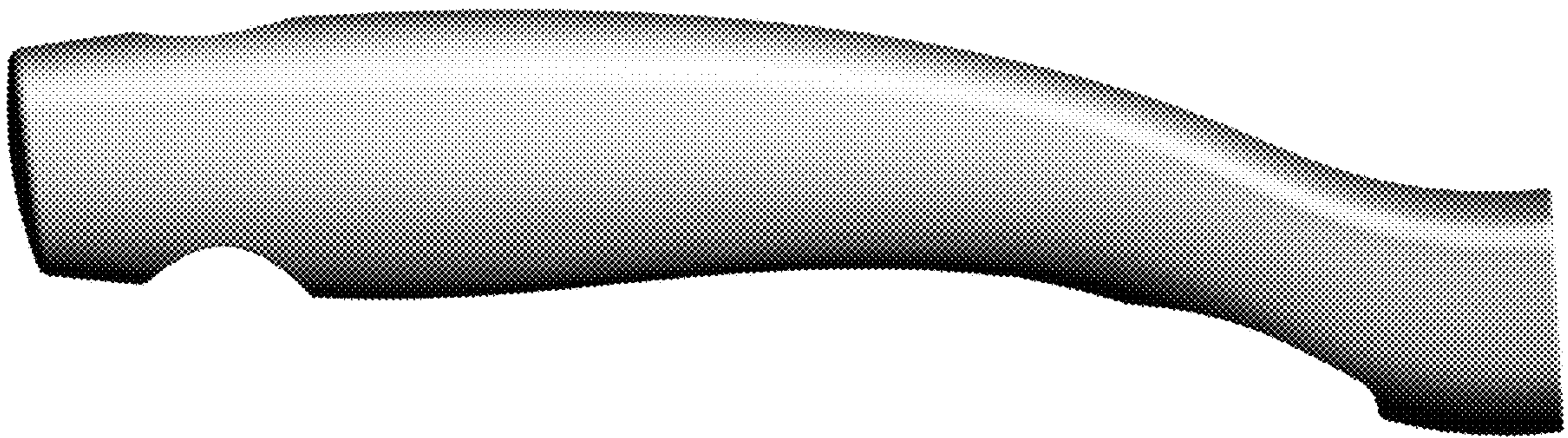
3.4



3.5



3.6



3.7

