



US00D979323S

(12) **United States Design Patent**  
**Beardmore**

(10) **Patent No.:** **US D979,323 S**

(45) **Date of Patent:** **\*\* Feb. 28, 2023**

(54) **ACCESSORY FOR A DRINKING STRAW**

(71) Applicant: **Michelle Whitehorn Beardmore**,  
Cypress, TX (US)

(72) Inventor: **Michelle Whitehorn Beardmore**,  
Cypress, TX (US)

(\*\*) Term: **15 Years**

(21) Appl. No.: **29/788,315**

(22) Filed: **Apr. 30, 2021**

(51) **LOC (14) Cl.** ..... **07-06**

(52) **U.S. Cl.**  
USPC ..... **D7/387**

(58) **Field of Classification Search**  
USPC ..... D7/301, 302, 300.1, 300.2, 387, 507,  
D7/675; D9/451, 624; D11/34;  
D24/195  
CPC ..... A47G 19/2222; A47G 19/2266; A47G  
21/18; A47G 21/182; A47G 21/185;  
B65D 2517/0049  
See application file for complete search history.

(56) **References Cited**

**U.S. PATENT DOCUMENTS**

2,434,078	A *	1/1948	Malerman	.....	A45D 44/12 2/9
2,531,855	A	11/1950	Loptson		
D256,206	S *	8/1980	Richmond	.....	D7/300.2
D269,462	S	6/1983	Qually		
D290,212	S *	6/1987	Imotani	.....	D7/300.2
D298,841	S	12/1988	Green		
D301,618	S *	6/1989	Barros	.....	D24/110
D331,628	S *	12/1992	Dodson	.....	D21/661
D332,548	S *	1/1993	Mayatt	.....	D7/300.2
D347,307	S *	5/1994	Yang	.....	D11/54
D352,416	S	11/1994	Dutton		
D393,331	S *	4/1998	Hester	.....	D28/67
D403,136	S	12/1998	Robles		
D415,568	S	10/1999	Bernd		

D416,121	S *	11/1999	Yang	.....	D1/106
D422,395	S *	4/2000	Robles	.....	426/104
D428,807	S	8/2000	Lohmann et al.		
D437,566	S *	2/2001	Bernal	.....	D11/54
D439,787	S *	4/2001	Slater	.....	D7/300.2
D440,810	S	4/2001	Olson		
D444,022	S	6/2001	Katsukawa		
D450,127	S	11/2001	Trujillo		
D470,943	S	2/2003	Adams		
6,585,170	B2 *	7/2003	Katsukawa	.....	B29C 45/14598 D7/300.2
D485,944	S *	1/2004	Grant	.....	D20/32

(Continued)

**OTHER PUBLICATIONS**

Michelle Beardmore, Lipsips The Fix for Your Lips. Published Feb. 25, 2021, Retrieved Apr. 15, 2021, from <https://www.lipsips.com/>.

*Primary Examiner* — Joseph Kukella  
*Assistant Examiner* — Darryl J Dardenne  
(74) *Attorney, Agent, or Firm* — Dunlap Bennett & Ludwig, PLLC

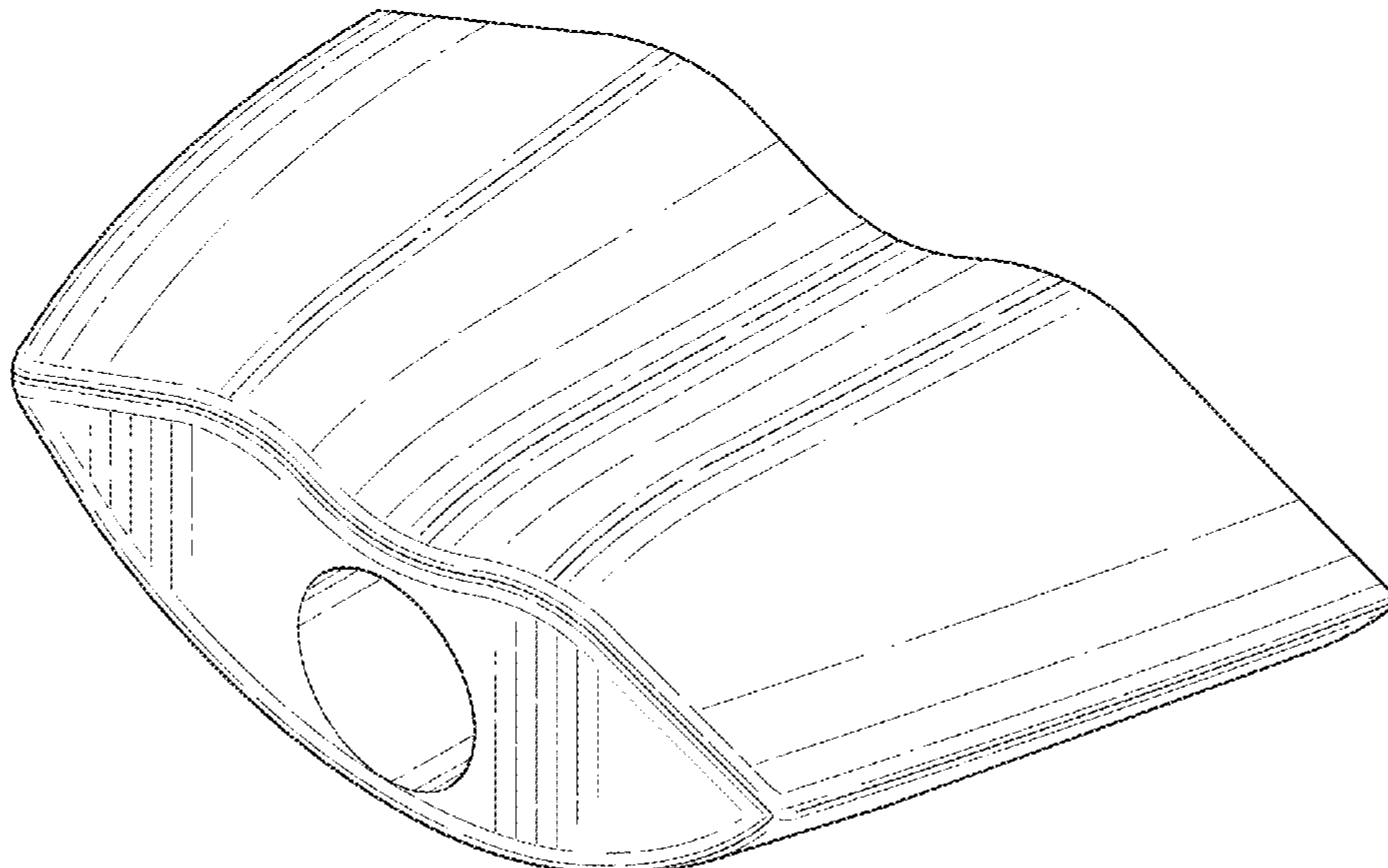
(57) **CLAIM**

The ornamental design for an accessory for a drinking straw, as shown and described.

**DESCRIPTION**

FIG. 1 is a front right top perspective view of the accessory for a drinking straw, showing my new design;  
FIG. 2 is a front elevation view thereof;  
FIG. 3 is a rear elevation view thereof;  
FIG. 4 is a left side elevation view thereof;  
FIG. 5 is a right side elevation view thereof;  
FIG. 6 is a top plan view thereof;  
FIG. 7 is a bottom plan view thereof; and,  
FIG. 8 is a left perspective view thereof, shown in use.  
The broken lines shown in FIG. 8 are environment and form no part of the claimed design.

**1 Claim, 4 Drawing Sheets**



(56)

References Cited

U.S. PATENT DOCUMENTS

D490,637 S	6/2004	Diaz	
D491,336 S *	6/2004	Cecere .....	D7/300.2
D496,209 S *	9/2004	Killips .....	D7/300.2
D512,197 S *	12/2005	Zalyasko .....	D1/109
D516,935 S	3/2006	Bulgari	
D519,398 S	4/2006	Bulgari	
D519,399 S *	4/2006	Bulgari .....	D11/79
D521,646 S	5/2006	Mann	
D550,496 S	9/2007	Stribling et al.	
D567,004 S	4/2008	Bottega	
D591,856 S *	5/2009	Lulla .....	D24/110
D595,990 S	7/2009	Rothberg et al.	
D596,440 S	7/2009	Rothberg et al.	
7,584,900 B2 *	9/2009	White .....	A47G 19/2222 239/33
D654,331 S	2/2012	Mills	
D667,672 S	9/2012	Royer et al.	
D674,649 S	1/2013	Ludwig et al.	
D699,064 S *	2/2014	Katterheinrich .....	D7/300.2
D719,024 S	12/2014	Reaux	
D727,082 S *	4/2015	Harrelson .....	D7/300.2
D748,756 S *	2/2016	Nikles .....	D23/213
D761,118 S	7/2016	Seymour et al.	
D781,651 S	3/2017	Matthis et al.	
D781,652 S	3/2017	Matthis et al.	
D781,653 S	3/2017	Matthis et al.	
D782,875 S	4/2017	Matthis et al.	
D784,085 S	4/2017	Langston	
D813,584 S *	3/2018	Ludwig .....	D7/300.2
D836,280 S *	12/2018	Lesina .....	D1/109
D842,999 S *	3/2019	Fleury .....	D24/197
D846,327 S	4/2019	Peterson	
D853,165 S	7/2019	Nordwall	
D873,148 S	1/2020	Thomas	
D874,274 S	2/2020	Katopis	
D880,060 S *	3/2020	Chen .....	D27/194
D939,763 S *	12/2021	Vojvodic .....	D28/7
D963,389 S *	9/2022	Michaels .....	D7/300.2
2012/0181348 A1	7/2012	Koehler	
2022/0265073 A1 *	8/2022	Fattahi .....	A47G 19/2266

\* cited by examiner

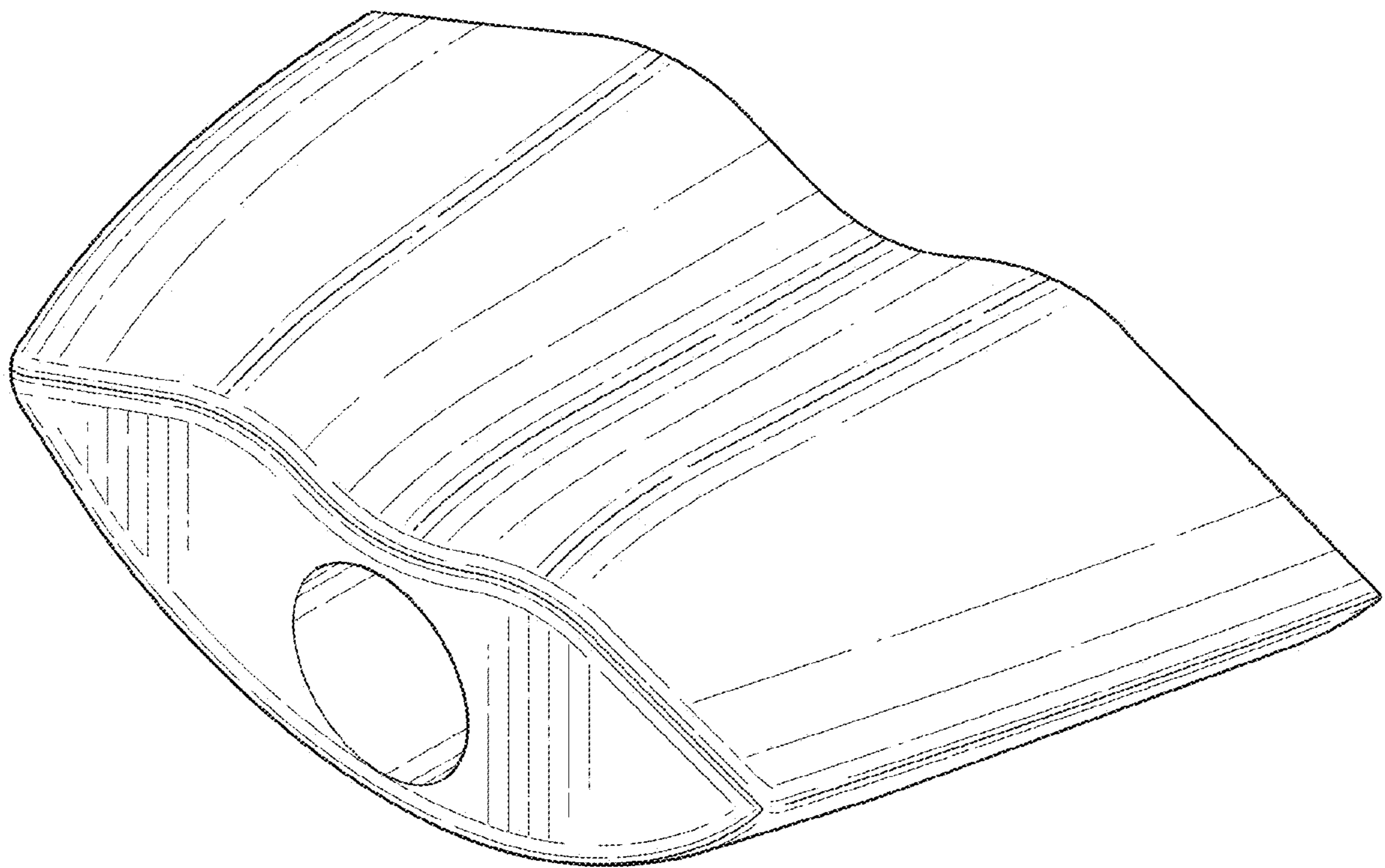


FIG. 1

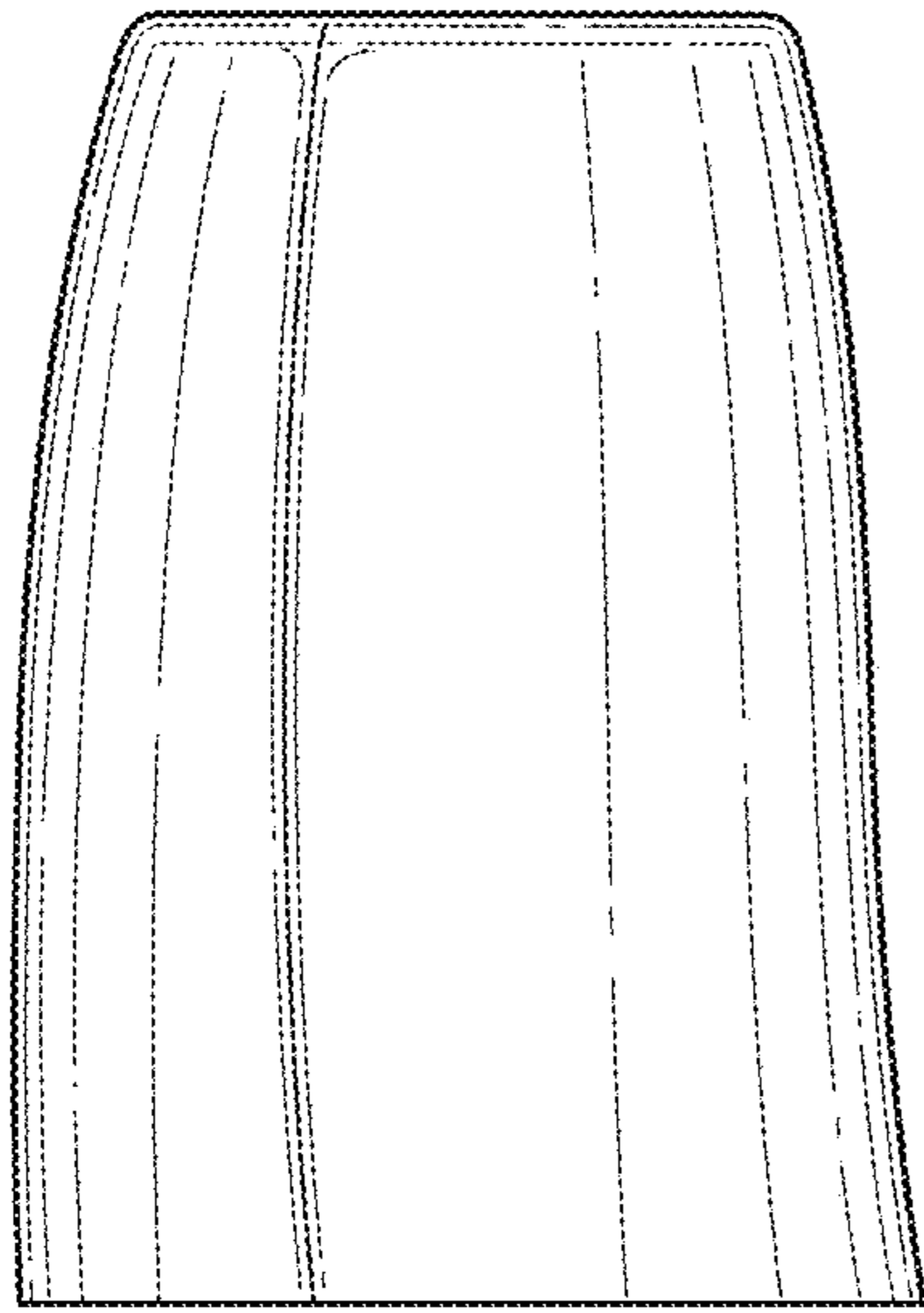


FIG. 4

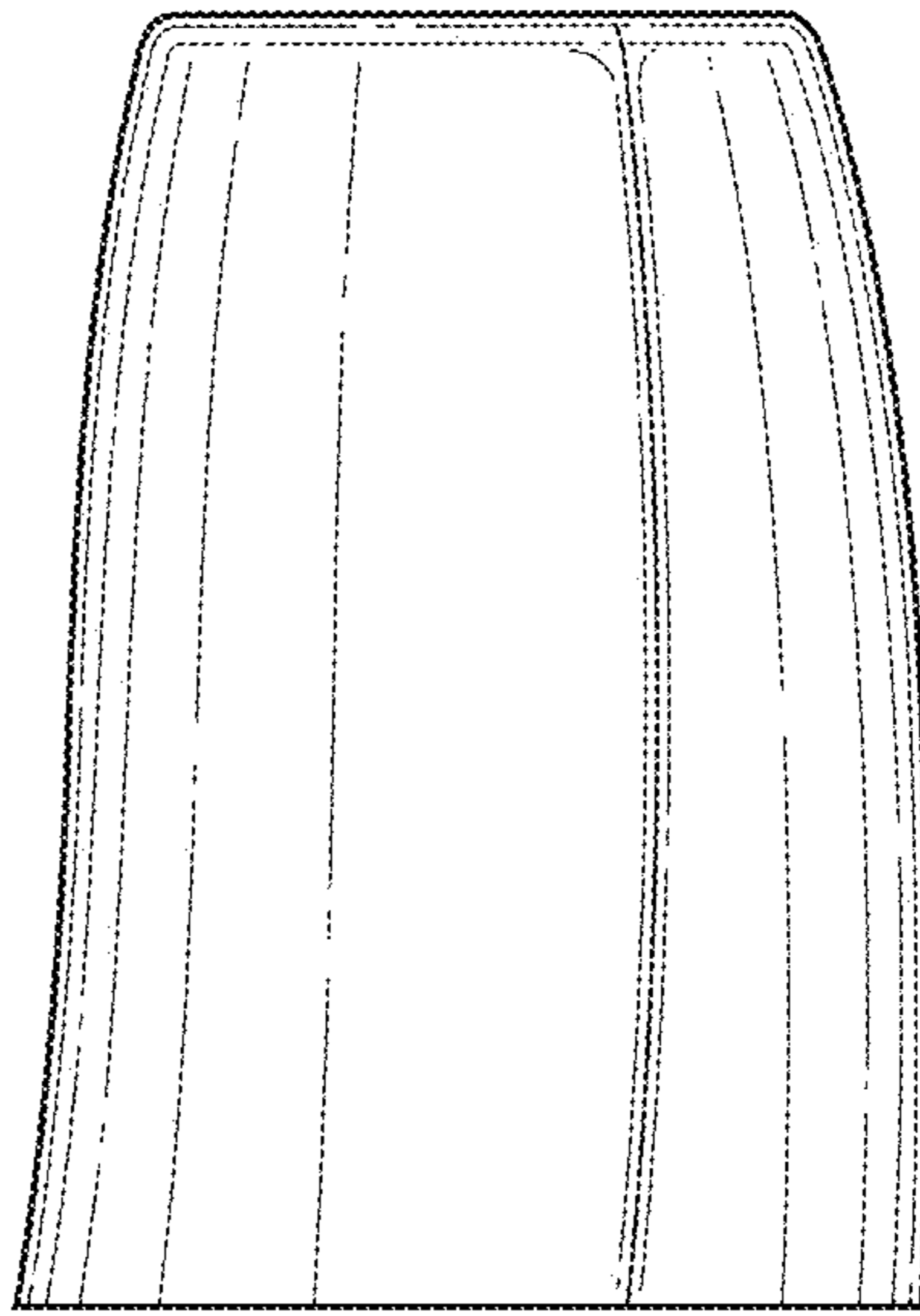


FIG. 5

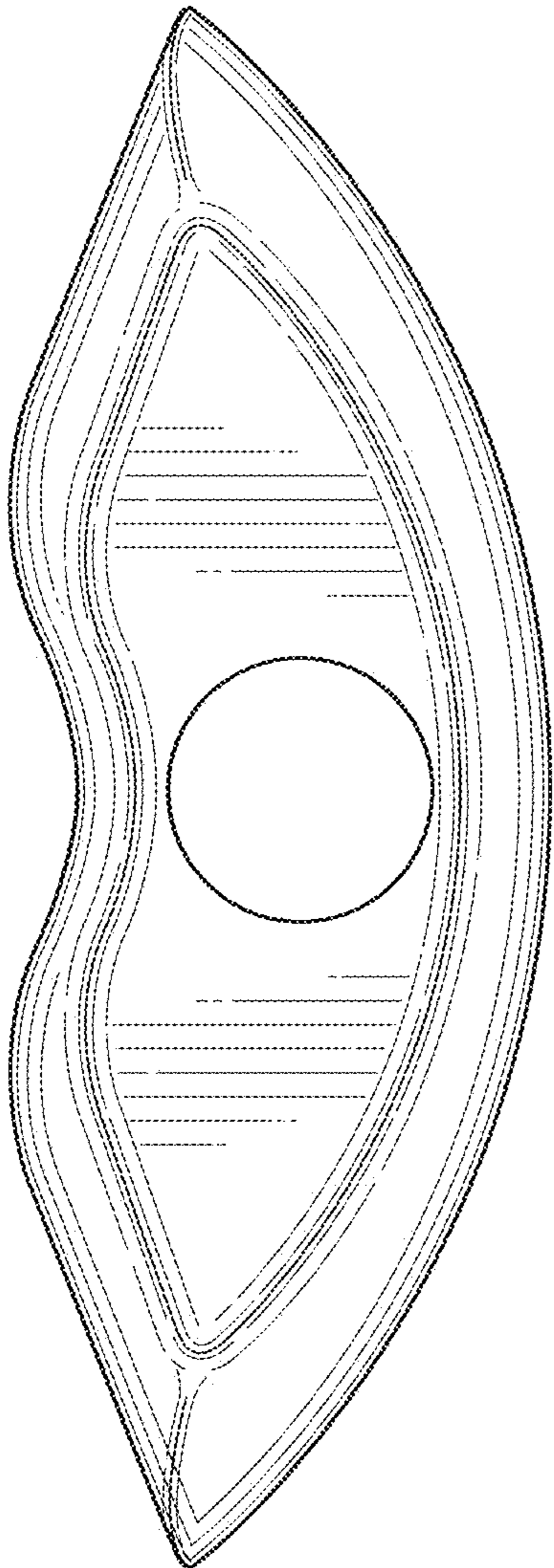


FIG. 2

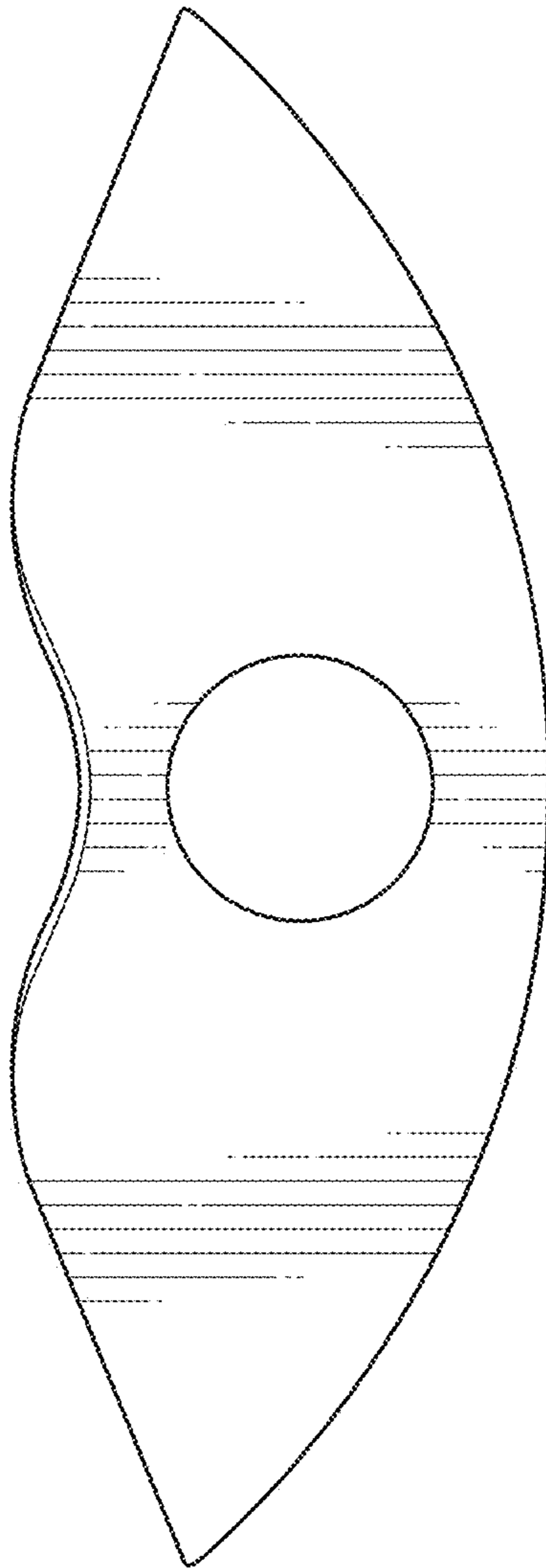
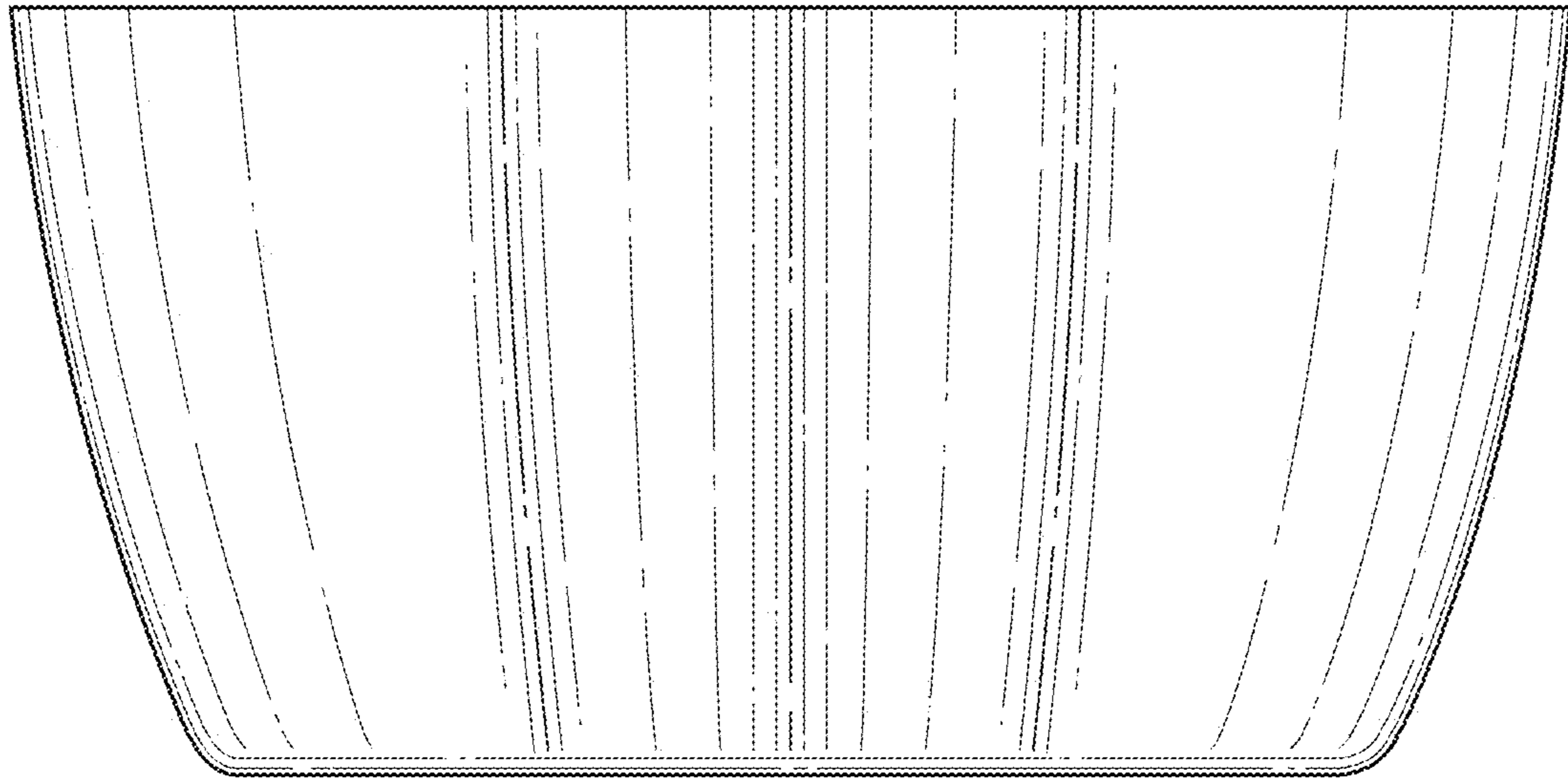
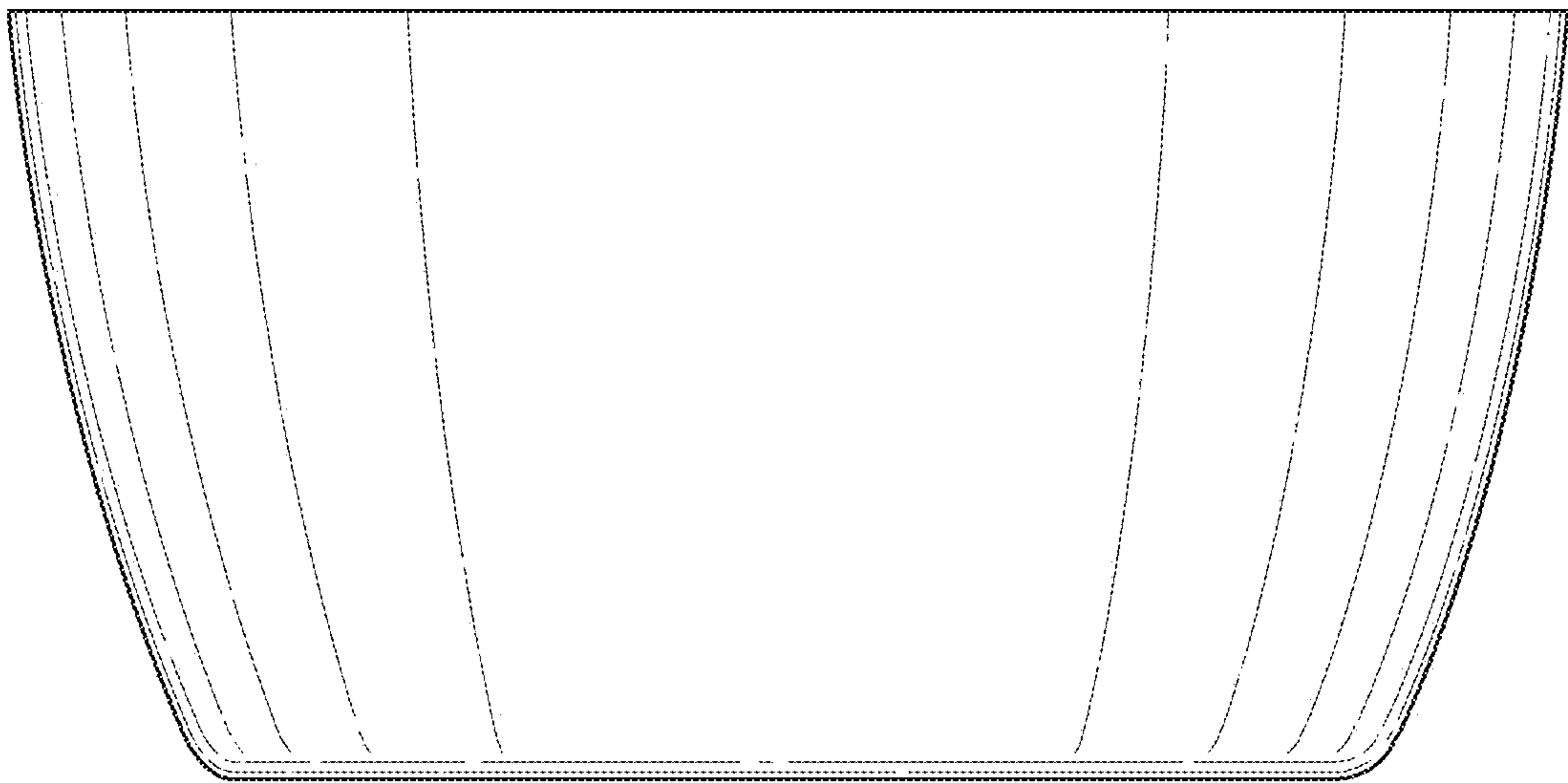


FIG. 3



**FIG. 6**



**FIG. 7**



FIG. 8