



US00D979322S

(12) **United States Design Patent**
Smith et al.

(10) **Patent No.:** **US D979,322 S**
(45) **Date of Patent:** **** Feb. 28, 2023**

(54) **CONTAINER**

(71) Applicant: **ALL PLASTIC, INC.**, Rancho Cordova, CA (US)

(72) Inventors: **William Thomas Smith**, Fair Oaks, CA (US); **Cheryl Ann Smith**, Fair Oaks, CA (US)

(73) Assignee: **ALL PLASTIC, INC.**, Rancho Cordova, CA (US)

(**) Term: **15 Years**

(21) Appl. No.: **29/725,666**

(22) Filed: **Feb. 26, 2020**

Related U.S. Application Data

(63) Continuation of application No. 16/502,168, filed on Jul. 3, 2019, now Pat. No. 11,001,413, which is a (Continued)

(51) **LOC (14) Cl.** **31-00**

(52) **U.S. Cl.**
USPC **D7/386**; D7/376; D7/378; D7/413

(58) **Field of Classification Search**
USPC D7/372, 376-386, 412-413, 602, 629, D7/665-666, 669, 679, 693-694; D9/418, 424, 431
CPC A21C 1/02; A21C 1/04; A23N 1/00; A23N 1/02; A47F 7/286; A47J 43/04; A47J 43/25; A47J 43/27; A47J 43/042; A47J 43/044;

(Continued)

(56) **References Cited**

U.S. PATENT DOCUMENTS

386,604 A 12/1888 Place
D128,936 S 8/1941 Foley

(Continued)

FOREIGN PATENT DOCUMENTS

EP 0990408 B1 9/2003
EP 1779885 A1 5/2007
KR 101215203 B1 12/2012

OTHER PUBLICATIONS

Pictures of Bud Bar Displays™ booth at the KushCon Convention, which features the Epods. Denver, Colorado, Dec. 1, 2010. 3 pages.
(Continued)

Primary Examiner — Ricky Pham

(74) *Attorney, Agent, or Firm* — Ballard Spahr LLP

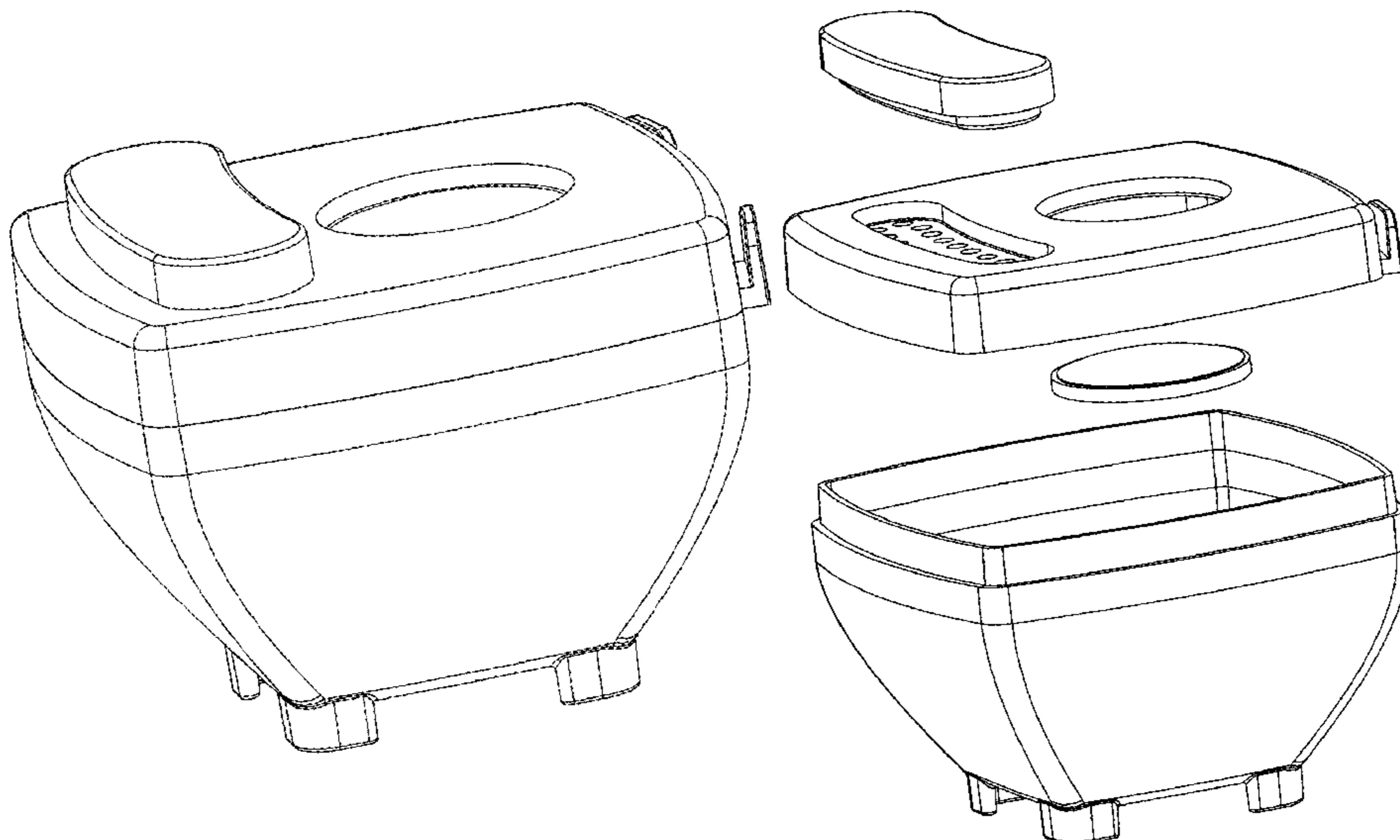
(57) **CLAIM**

We claim the ornamental design for a container, as shown and described.

DESCRIPTION

FIG. 1 is a perspective view taken from the top, front, right of a container in accordance with a first variant;
FIG. 2 is an exploded perspective view taken from the top, front, right of the container of FIG. 1;
FIG. 3 is another exploded perspective view taken from the top, rear, right of the container of FIG. 1;
FIG. 4 is a top view of a body of the container of FIG. 1;
FIG. 5 is a bottom view of the body of the container of FIG. 1;
FIG. 6 is a side view of the body of the container of FIG. 1;
FIG. 7 is a cross-sectional view of the body of the container of FIG. 1, taken along line 7-7 in FIG. 6.
FIG. 8 is a side view of a lid of the container of FIG. 1;
FIG. 9 is a cross-sectional view of the lid of the container of FIG. 1, taken along line 9-9 in FIG. 8; and,
FIG. 10 is a perspective view taken from the top, front, right of the lid of the container of FIG. 1.
Applicant expressly disclaims all views of the Container not shown in FIGS. 1-10 of the drawings.

1 Claim, 8 Drawing Sheets



Related U.S. Application Data

continuation of application No. 15/464,823, filed on Mar. 21, 2017, now Pat. No. 10,384,834, which is a continuation-in-part of application No. 14/701,961, filed on May 1, 2015, now Pat. No. 9,630,747.

(58) **Field of Classification Search**

CPC A47J 43/046; A47J 43/075; A47J 43/0722; A47J 43/0727; A61L 9/013; B01F 3/00; B01F 3/0807; B01F 3/0853; B01F 13/0059; B01F 13/0064; B02C 1/08; B02C 2/04; B02C 4/42; B02C 4/142; B02C 4/143; B02C 4/423; B02C 13/1835; B28C 5/10; B28C 5/12; B28C 5/14; B28C 5/16

See application file for complete search history.

(56) **References Cited**

U.S. PATENT DOCUMENTS

| | | | | |
|-----------|-----|---------|-------------------|--------|
| 2,724,213 | A | 11/1955 | Weil | |
| D181,321 | S * | 10/1957 | Stowell | D9/418 |
| 2,807,901 | A | 10/1957 | Gilowitz | |
| 3,247,995 | A | 4/1966 | Jensen | |
| 3,451,328 | A | 6/1969 | Swett | |
| 3,656,840 | A | 4/1972 | Smith et al. | |
| 4,106,660 | A | 8/1978 | Boyle | |
| D255,546 | S | 6/1980 | Zaidmann et al. | |
| 4,230,231 | A | 10/1980 | Burnett et al. | |
| 4,284,200 | A | 8/1981 | Bush et al. | |
| D272,595 | S | 2/1984 | Chase et al. | |
| D292,887 | S | 11/1987 | Schouten | |
| D303,428 | S | 9/1989 | Wade et al. | |
| 4,979,332 | A | 12/1990 | Nagaya et al. | |
| D322,323 | S | 12/1991 | Moir | |
| D340,187 | S | 10/1993 | Forsyth | |
| 5,321,908 | A | 6/1994 | Ushimaru | |
| 5,363,801 | A | 11/1994 | Watters et al. | |
| 5,850,913 | A | 12/1998 | Fantone et al. | |
| 5,927,007 | A | 7/1999 | Oda et al. | |
| 6,013,524 | A | 1/2000 | Friars et al. | |
| D455,552 | S | 4/2002 | Charness | |
| 6,571,972 | B1 | 6/2003 | Bouc et al. | |
| D476,572 | S | 7/2003 | Merritt | |
| D480,307 | S | 10/2003 | Canamasas Puigbo | |
| 6,672,457 | B2 | 1/2004 | Aylesworth et al. | |
| 6,761,287 | B2 | 7/2004 | Caruso | |
| D493,721 | S | 8/2004 | Puigbo | |
| D493,722 | S | 8/2004 | Cooper | |
| D513,979 | S | 1/2006 | Snedden et al. | |
| D517,405 | S | 3/2006 | Snedden et al. | |
| D518,728 | S | 4/2006 | Frantz | |
| D523,752 | S | 6/2006 | Bried et al. | |
| 7,185,827 | B2 | 3/2007 | Quintard et al. | |
| D547,177 | S | 7/2007 | Sherman et al. | |
| D588,450 | S | 3/2009 | Snedden et al. | |
| D590,706 | S | 4/2009 | Doliwa et al. | |
| D591,148 | S | 4/2009 | Parikh et al. | |
| D600,111 | S | 9/2009 | Gerulski et al. | |
| D607,340 | S | 1/2010 | Klis | |
| 7,743,934 | B2 | 6/2010 | Martin | |
| D621,603 | S | 8/2010 | Traylor | |
| D630,949 | S | 1/2011 | Lim | |
| D646,969 | S | 10/2011 | Snedden et al. | |
| D647,530 | S | 10/2011 | Busch | |
| 8,079,478 | B2 | 12/2011 | Short et al. | |
| D655,604 | S | 3/2012 | Molina et al. | |
| D671,831 | S | 12/2012 | Moreau | |

| | | | | |
|--------------|------|---------|-------------------|-------------|
| D685,227 | S | 7/2013 | Boonprasop | |
| 8,528,775 | B2 | 9/2013 | Martin | |
| 8,544,208 | B2 | 10/2013 | Huang | |
| D696,948 | S | 1/2014 | Kim | |
| D702,547 | S | 4/2014 | Akana et al. | |
| D702,992 | S * | 4/2014 | Wong | D7/381 |
| D703,055 | S | 4/2014 | Park | |
| 8,899,443 | B2 | 12/2014 | Soibel et al. | |
| 8,925,725 | B1 | 1/2015 | Burnett | |
| D731,891 | S | 6/2015 | Servaire | |
| D749,381 | S | 2/2016 | Magri | |
| 9,334,086 | B2 | 5/2016 | Bean et al. | |
| D765,389 | S | 9/2016 | Martin | |
| D769,079 | S | 10/2016 | Kotani | |
| D775,959 | S | 1/2017 | Owen et al. | |
| D778,718 | S * | 2/2017 | Smith | D9/431 |
| D794,944 | S | 8/2017 | Martin | |
| 9,801,488 | B2 | 10/2017 | Affatato et al. | |
| D806,543 | S | 1/2018 | Finkbohner et al. | |
| D812,939 | S | 3/2018 | Modlin | |
| D814,831 | S | 4/2018 | Modlin | |
| 9,981,790 | B1 | 5/2018 | Ost et al. | |
| D821,738 | S | 7/2018 | Small | |
| D830,779 | S | 10/2018 | Li et al. | |
| D842,494 | S | 3/2019 | Lee | |
| D849,526 | S | 5/2019 | Sanders et al. | |
| D861,475 | S | 10/2019 | Giwani | |
| D862,226 | S | 10/2019 | Horn | |
| D866,334 | S | 11/2019 | Wieland et al. | |
| D877,930 | S | 3/2020 | Santamarta | |
| D891,856 | S * | 8/2020 | Liu | D7/378 |
| D899,920 | S * | 10/2020 | Smith | D9/418 |
| D902,642 | S * | 11/2020 | Carlson | D7/378 |
| D904,185 | S * | 12/2020 | Smith | D9/422 |
| 11,001,413 | B2 * | 5/2021 | Smith | B65D 51/245 |
| D920,735 | S * | 6/2021 | Carlson | D7/378 |
| 11,235,909 | B2 * | 2/2022 | Smith | A61L 9/013 |
| 2003/0234208 | A1 | 12/2003 | Huang | |
| 2005/0092751 | A1 | 5/2005 | Alvares et al. | |
| 2007/0051826 | A1 | 3/2007 | Schofield | |
| 2009/0057326 | A1 | 3/2009 | Opitz | |
| 2009/0261100 | A1 | 10/2009 | McMinn | |
| 2010/0300370 | A1 | 12/2010 | Hundt | |
| 2013/0280147 | A1 | 10/2013 | Kang | |
| 2013/0313217 | A1 | 11/2013 | Yamamoto et al. | |
| 2016/0031605 | A1 | 2/2016 | Bean et al. | |
| 2016/0318672 | A1 * | 11/2016 | Smith | A47F 7/286 |
| 2017/0190482 | A1 * | 7/2017 | Smith | A47F 7/286 |
| 2017/0275075 | A1 | 9/2017 | Bamonte et al. | |
| 2018/0362215 | A1 | 12/2018 | Whetsel et al. | |
| 2019/0009967 | A1 | 1/2019 | Lung | |
| 2019/0152648 | A1 | 5/2019 | Parve et al. | |
| 2020/0113353 | A1 | 4/2020 | Bigioni et al. | |
| 2020/0130901 | A1 | 4/2020 | Karll | |

OTHER PUBLICATIONS

Bud Bar Brochure. Sep. 29, 2011 [online]. Available: <http://web.archive.org/web/20110725063930/http://www.budbardisplays.com/BudBarBrochure.pdf>, 12 pages.

Canna-Pod. Jul. 2, 2014 [online]. Available: https://web.archive.org/web/20140702032541/http://budbardisplays.com/bud_pods.htm, 6 pages.

Pictures of Bud Bar Displays™ booth at the KushCon Convention, which features the Bud Pod. Denver, Colorado, Dec. 1, 2010. 3 pages (color).

Website photo. Epod. www.budbardisplays.com. Published Jul. 1, 2013.

* cited by examiner

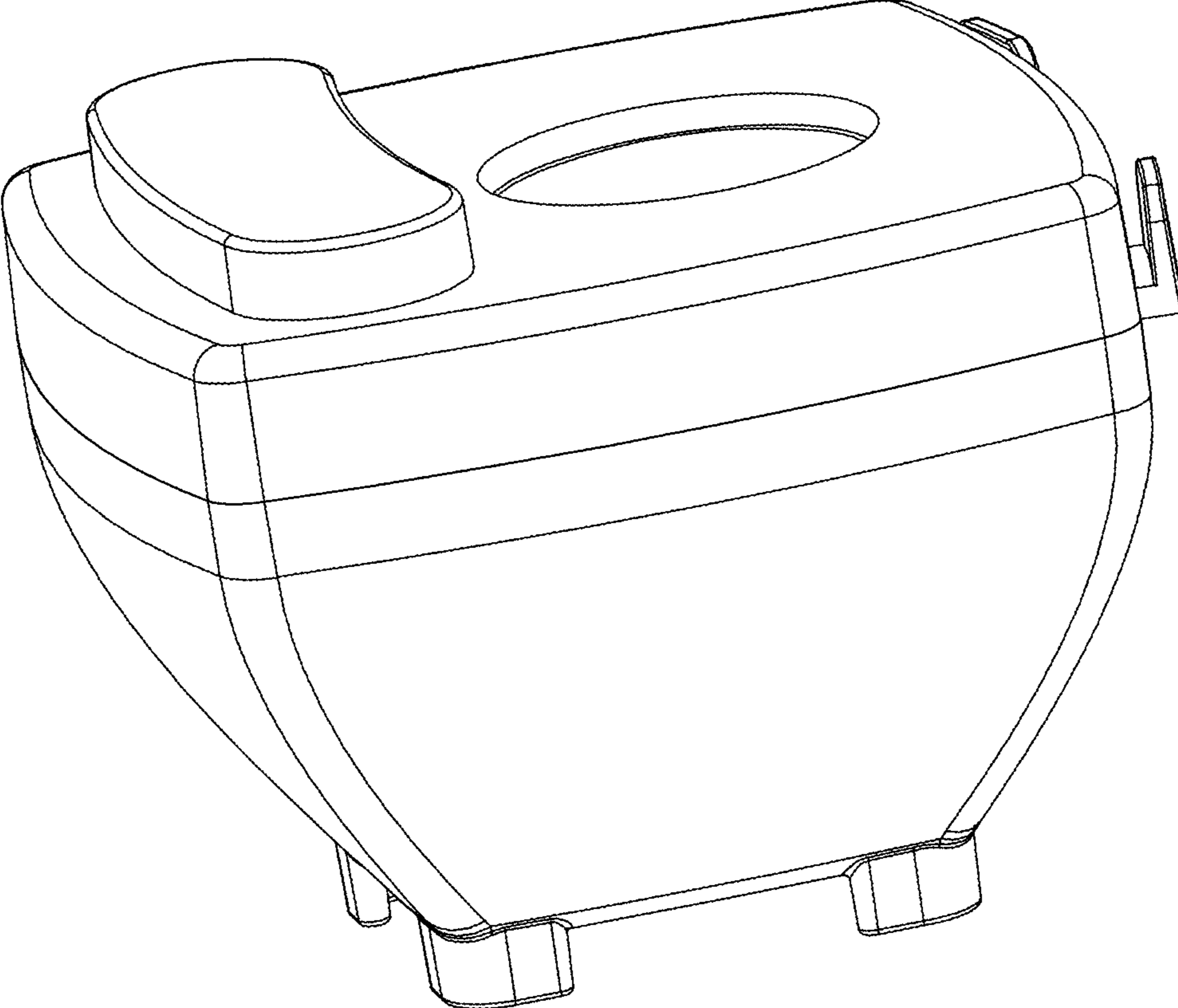


FIG. 1

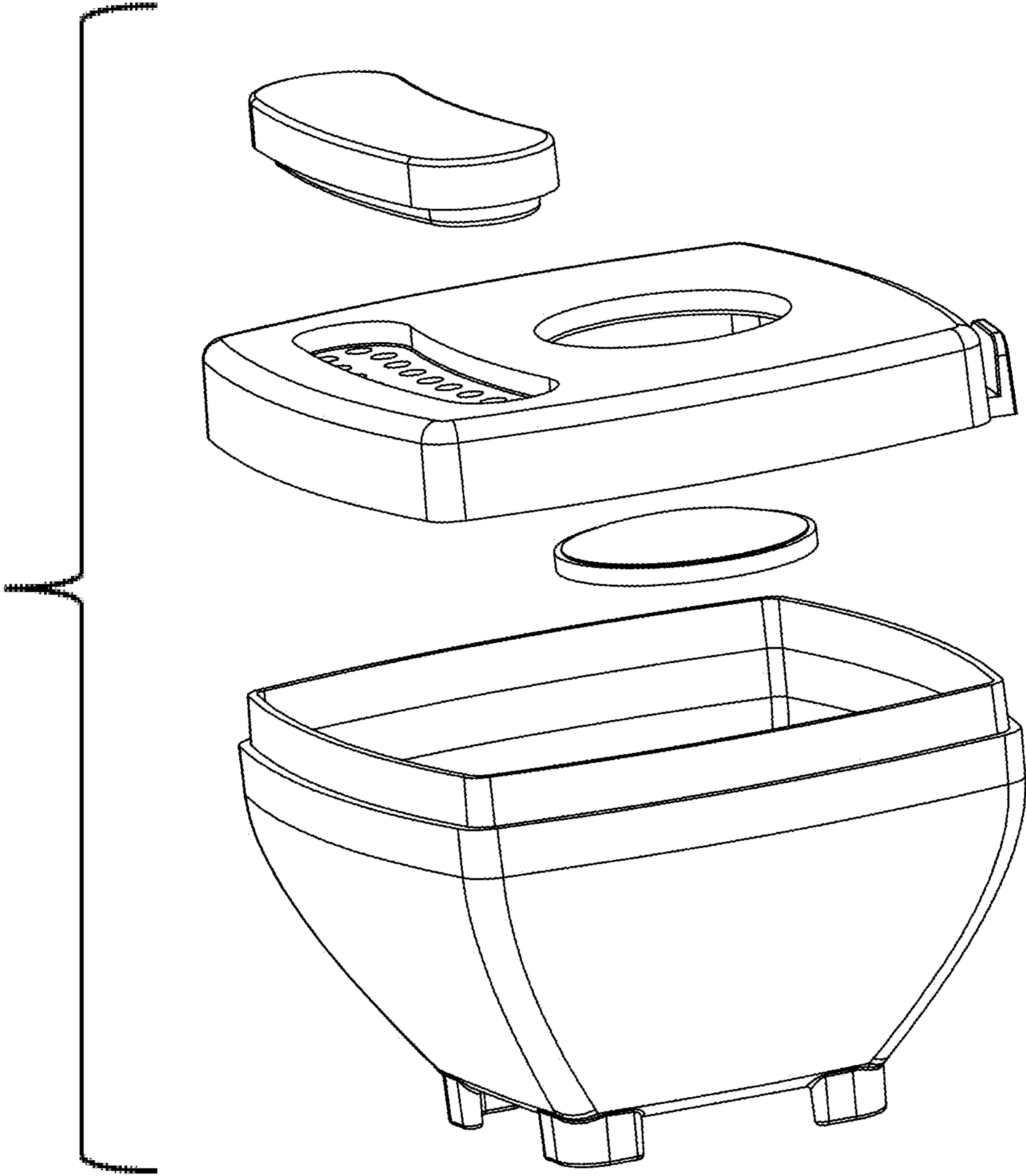


FIG. 2

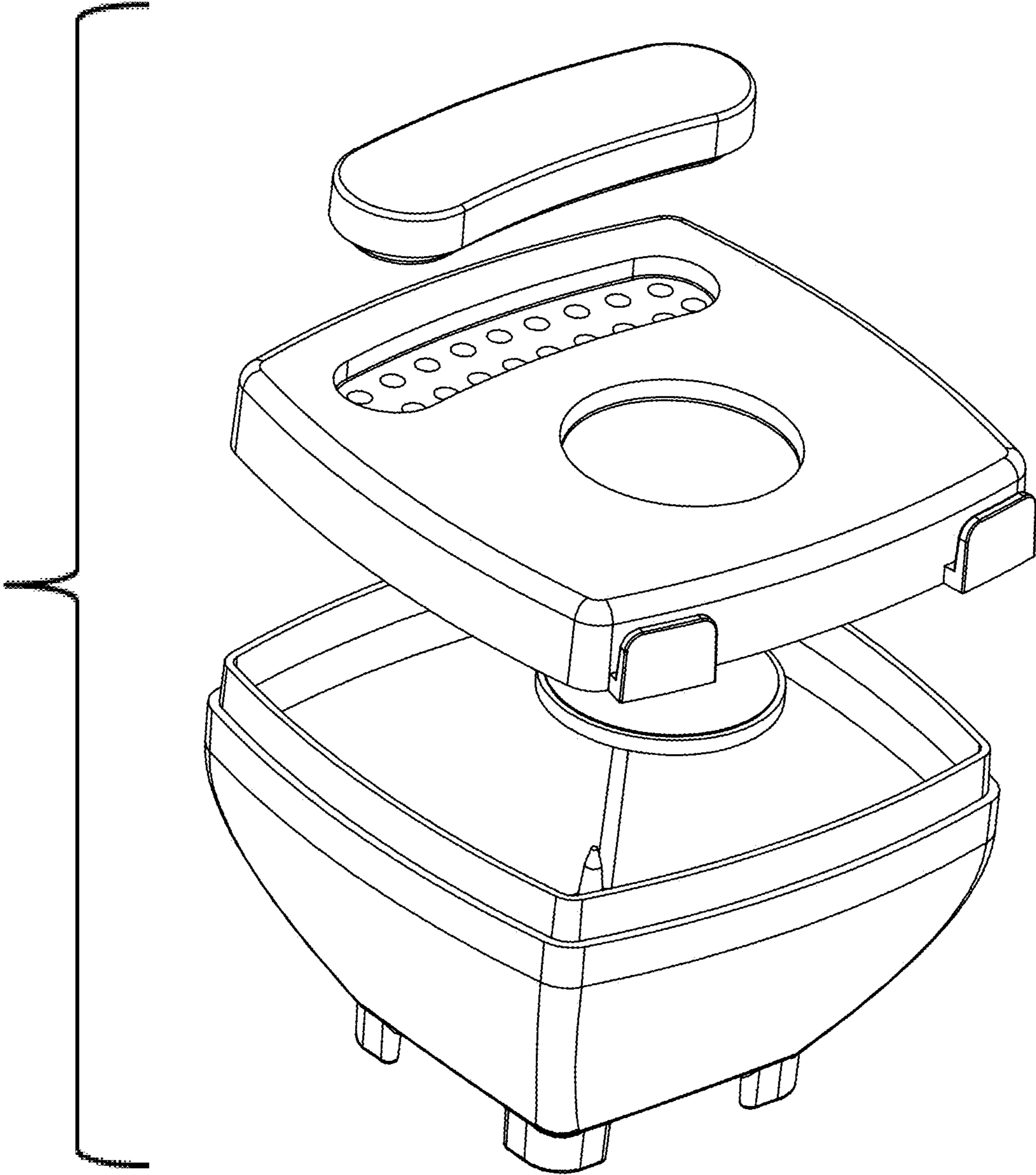


FIG. 3

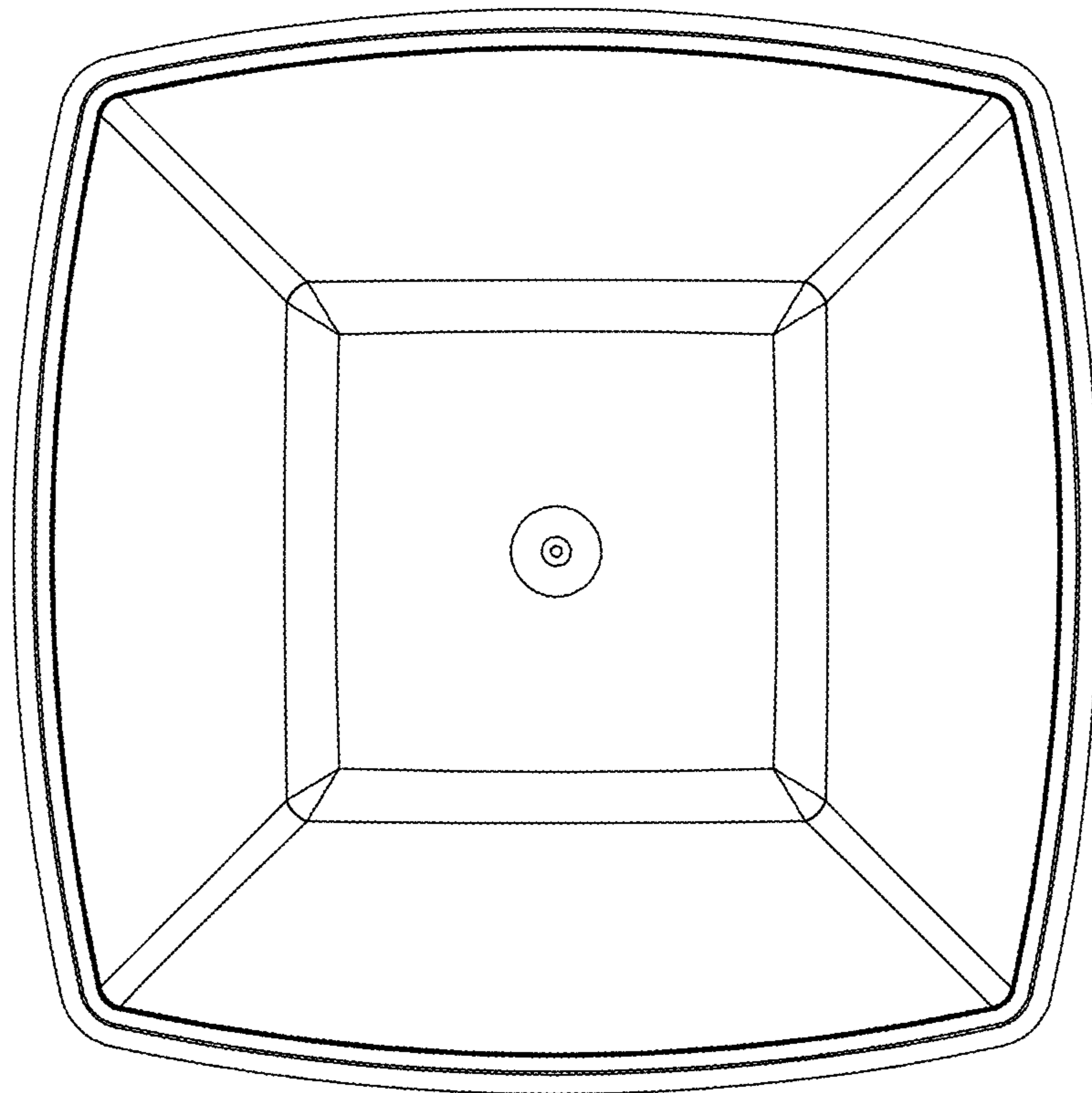


FIG. 4

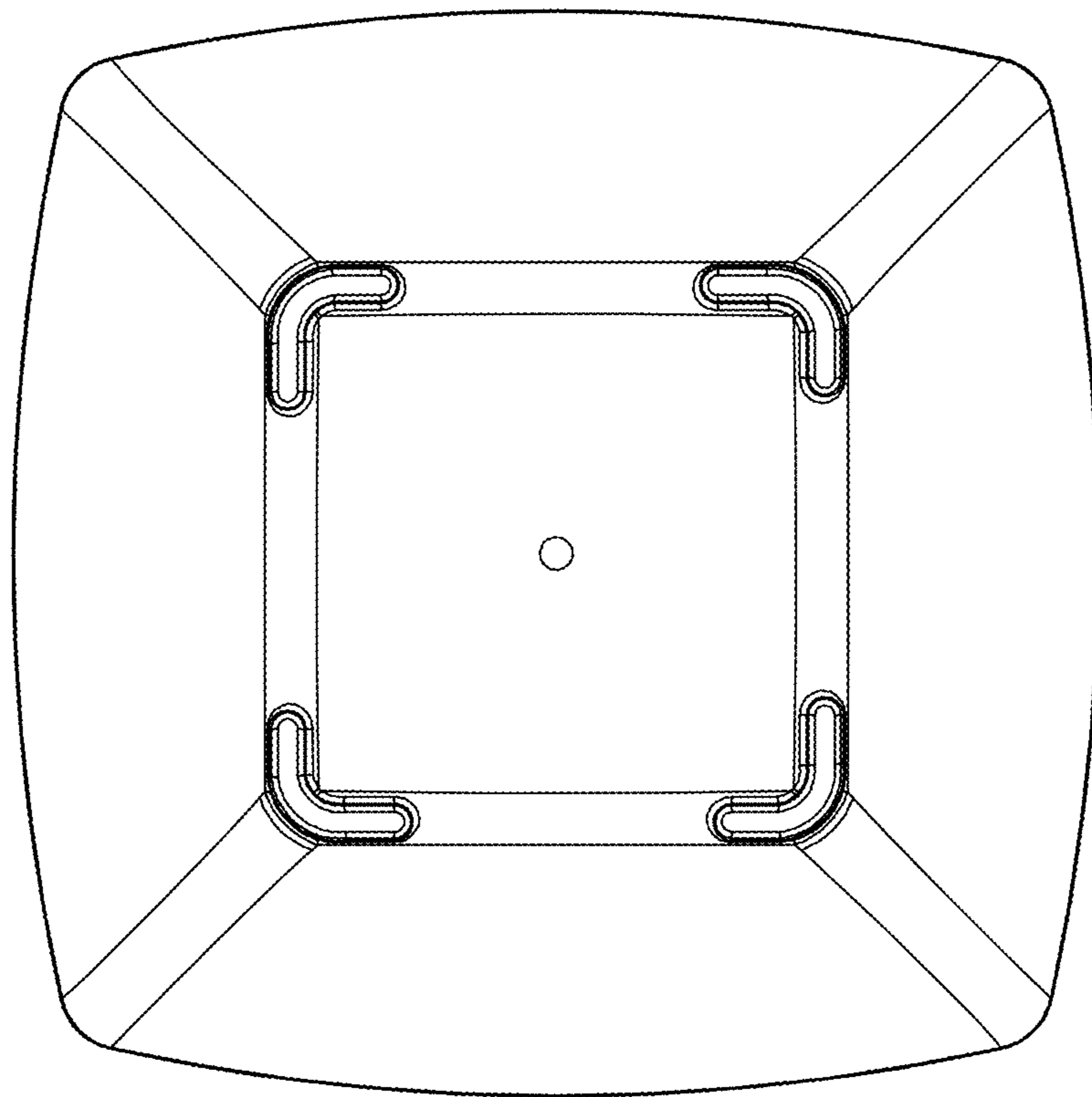


FIG. 5

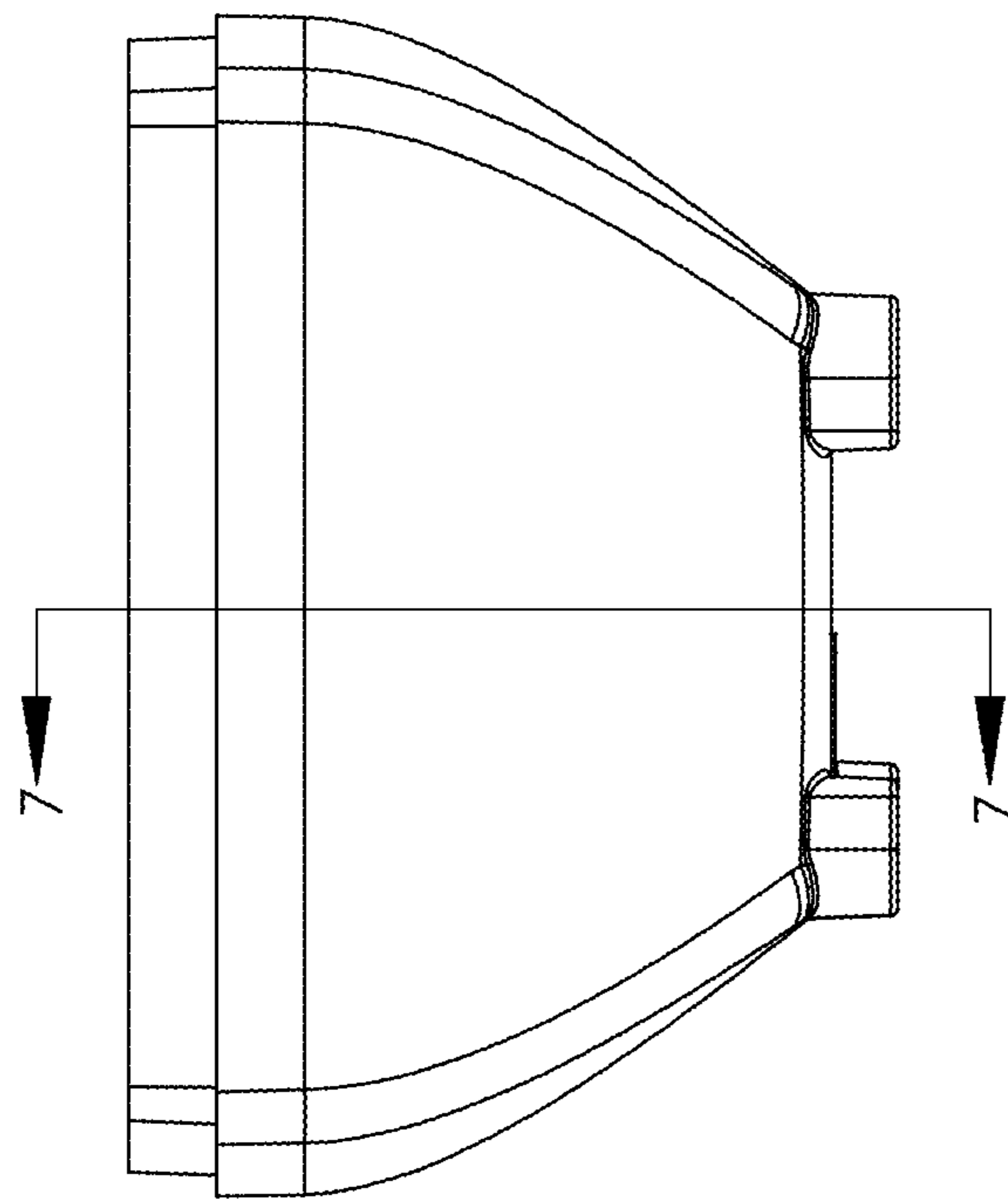


FIG. 6

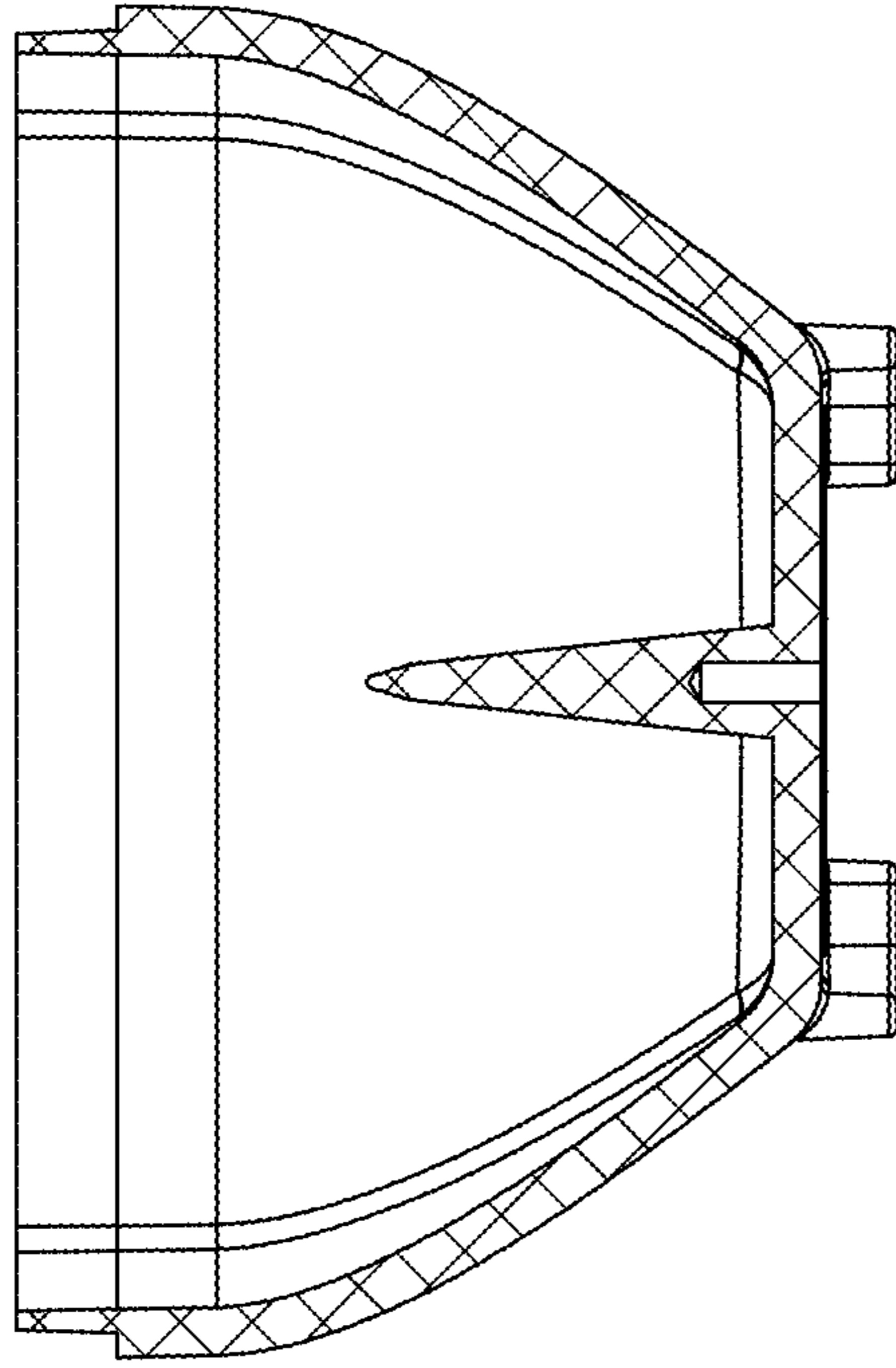


FIG. 7

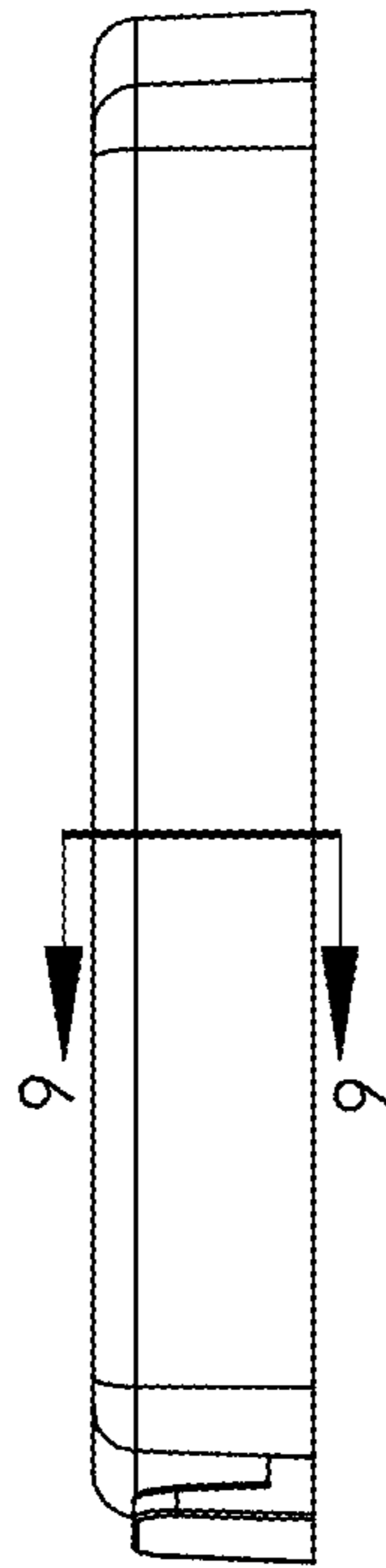


FIG. 8

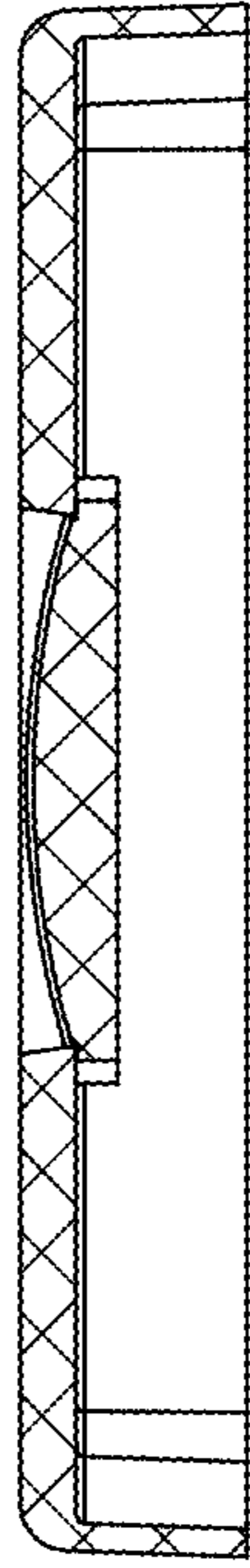


FIG. 9

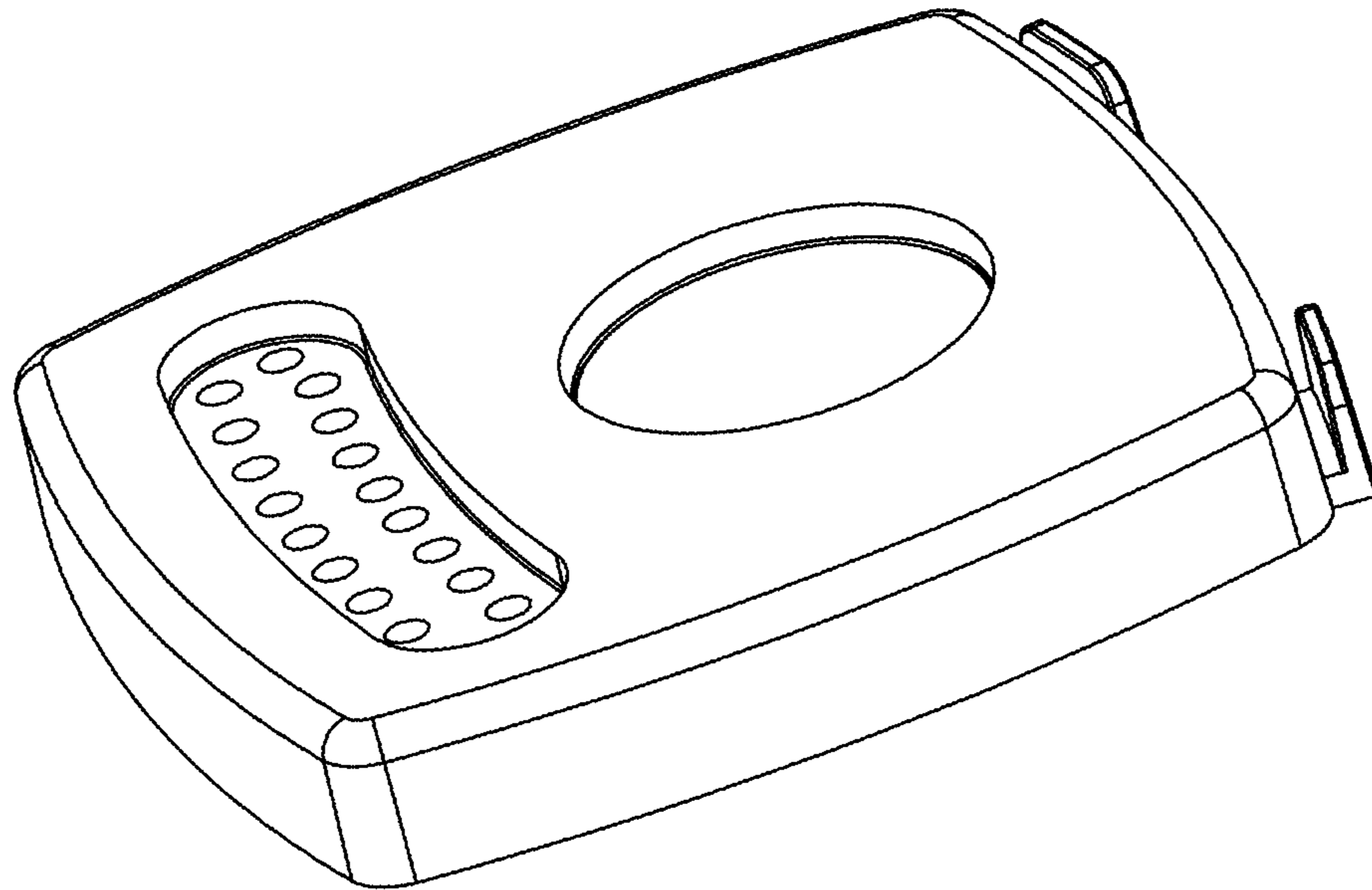


FIG. 10