



US00D979321S

(12) **United States Design Patent**
Coakley

(10) **Patent No.:** **US D979,321 S**

(45) **Date of Patent:** **** Feb. 28, 2023**

(54) **BLENDER CUP AND LID**

- (71) Applicant: **SharkNinja Operating LLC**,
Needham, MA (US)
- (72) Inventor: **Devin Joseph Coakley**, Bellingham,
MA (US)
- (73) Assignee: **SHARKNINJA OPERATING LLC**,
Needham, MA (US)

(**) Term: **15 Years**

(21) Appl. No.: **29/775,657**

(22) Filed: **Mar. 24, 2021**

(51) **LOC (14) Cl.** **31-00**

(52) **U.S. Cl.**
USPC **D7/378; D7/391; D7/412; D7/413**

(58) **Field of Classification Search**
USPC **D7/372, 376-386, 391, 412-413, 510,
D7/511, 602, 629, 665-666, 669, 679,
D7/693-694**

CPC **A21C 1/02; A21C 1/04; A23N 1/00; A23N
1/02; A47J 43/04; A47J 43/25; A47J
43/27; A47J 43/042; A47J 43/044; A47J
43/046; A47J 43/075; A47J 43/0705;
A47J 43/0711; A47J 43/0722; A47J
43/0727; A47J 43/0772; A47J 43/1093;
B01F 3/00; B01F 3/0807; B01F 3/0853;
B01F 13/0059; B01F 13/0064; B02C
1/08; B02C 2/04; B02C 4/42; B02C
4/142; B02C 4/143; B02C**

(Continued)

(56) **References Cited**

U.S. PATENT DOCUMENTS

- D365,247 S * 12/1995 Sokolski D7/510
- D466,371 S * 12/2002 Parker D7/510
- D726,499 S * 4/2015 Kim D7/510

(Continued)

OTHER PUBLICATIONS

La Reveuse Countertop Blender. Date First Available on Amazon.
com Apr. 23, 2019. <https://www.amazon.com/dp/B07P61ZBYF/ref>
(Year: 2019).*

Primary Examiner — Ricky Pham

(74) *Attorney, Agent, or Firm* — Burns & Levinson, LLP;
Joseph M. Maraia

(57) **CLAIM**

The ornamental design for a blender cup and lid, as shown
and described.

DESCRIPTION

FIG. 1 is a front/top perspective view of a blender cup in
accordance with the subject technology, shown separately
without the lid for completeness of illustration.

FIG. 2 is a front view of the blender cup of FIG. 1.

FIG. 3 is a rear view of the blender cup of FIG. 1.

FIG. 4 is a left side view of the blender cup of FIG. 1.

FIG. 5 is a right side view of the blender cup of FIG. 1.

FIG. 6 is a top view of the blender cup of FIG. 1.

FIG. 7 is a bottom view of the blender cup of FIG. 1.

FIG. 8 is a front/top perspective view of a blender cup and
lid in accordance with the subject technology, shown sepa-
rately for completeness of illustration.

FIG. 9 is a front view of the blender cup and lid of FIG. 8.

FIG. 10 is a rear view of the blender cup and lid of FIG. 8.

FIG. 11 is a left side view of the blender cup and lid of FIG.
8.

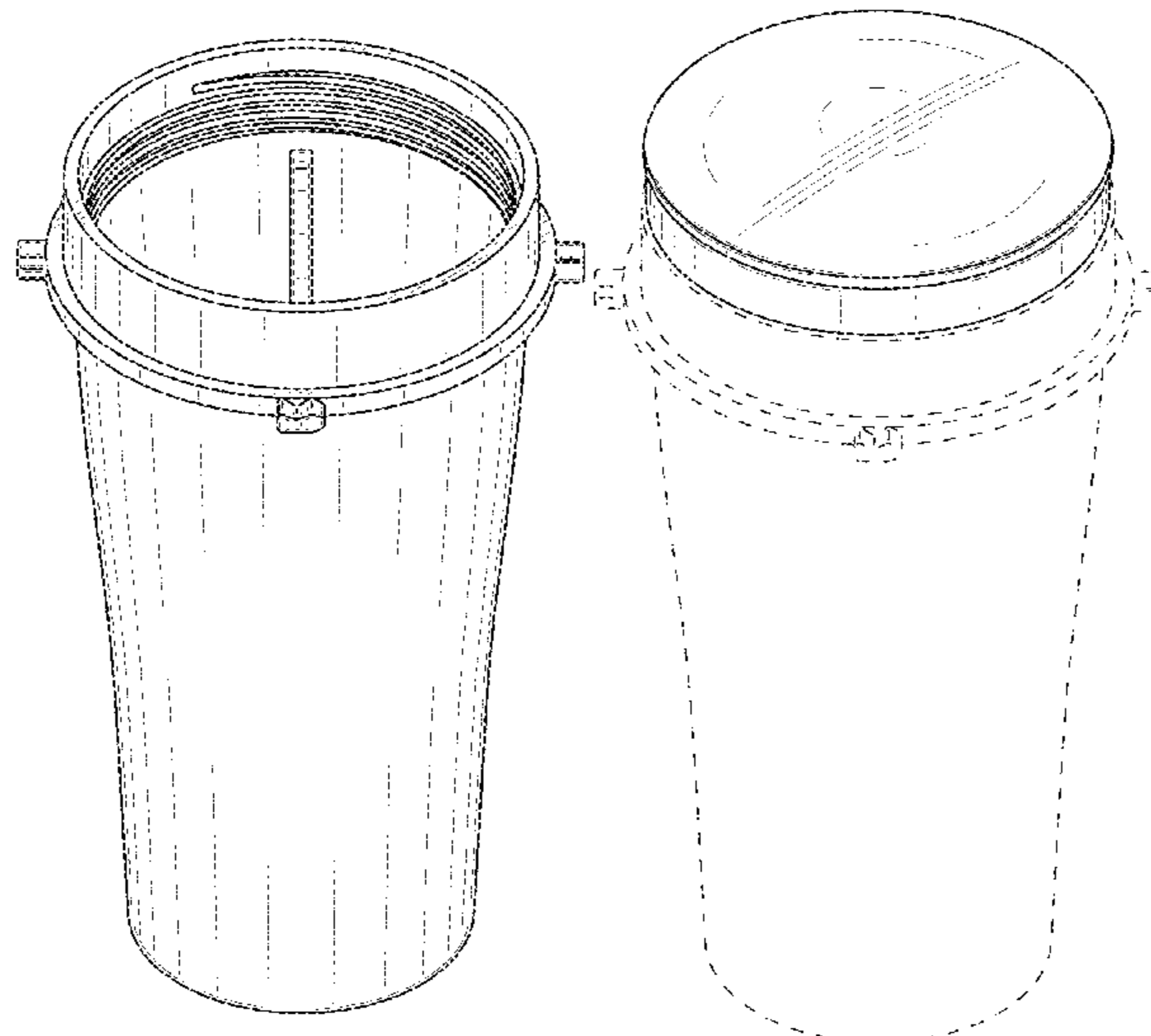
FIG. 12 is a right side view of the blender cup and lid of FIG.
8.

FIG. 13 is a top view of the blender cup and lid of FIG. 8;
and,

FIG. 14 is a bottom view of the blender cup and lid of FIG.
8.

The purpose of the broken lines shown in the drawings is to
denote features of the structure that form no part of the
claimed design.

1 Claim, 8 Drawing Sheets



(58) **Field of Classification Search**

CPC 4/423; B02C 13/1835; B28C 5/10; B28C
5/12; B28C 5/14; B28C 5/16

See application file for complete search history.

(56) **References Cited**

U.S. PATENT DOCUMENTS

D813,603	S	*	3/2018	Tu	D7/378
D833,804	S	*	11/2018	Huang	D7/378
D842,644	S	*	3/2019	Kettavong	D7/378
D846,337	S	*	4/2019	Duan	D7/378
D873,611	S	*	1/2020	Stanton	D7/532
D914,453	S	*	3/2021	Kettavong	D7/378
D927,256	S	*	8/2021	Bannister	D7/378
D930,425	S	*	9/2021	Bourgeois	D7/378
D937,628	S	*	12/2021	Yishen	D7/510
2014/0247686	A1	*	9/2014	Arnett	A47J 43/0772 366/205

* cited by examiner

FIG. 1

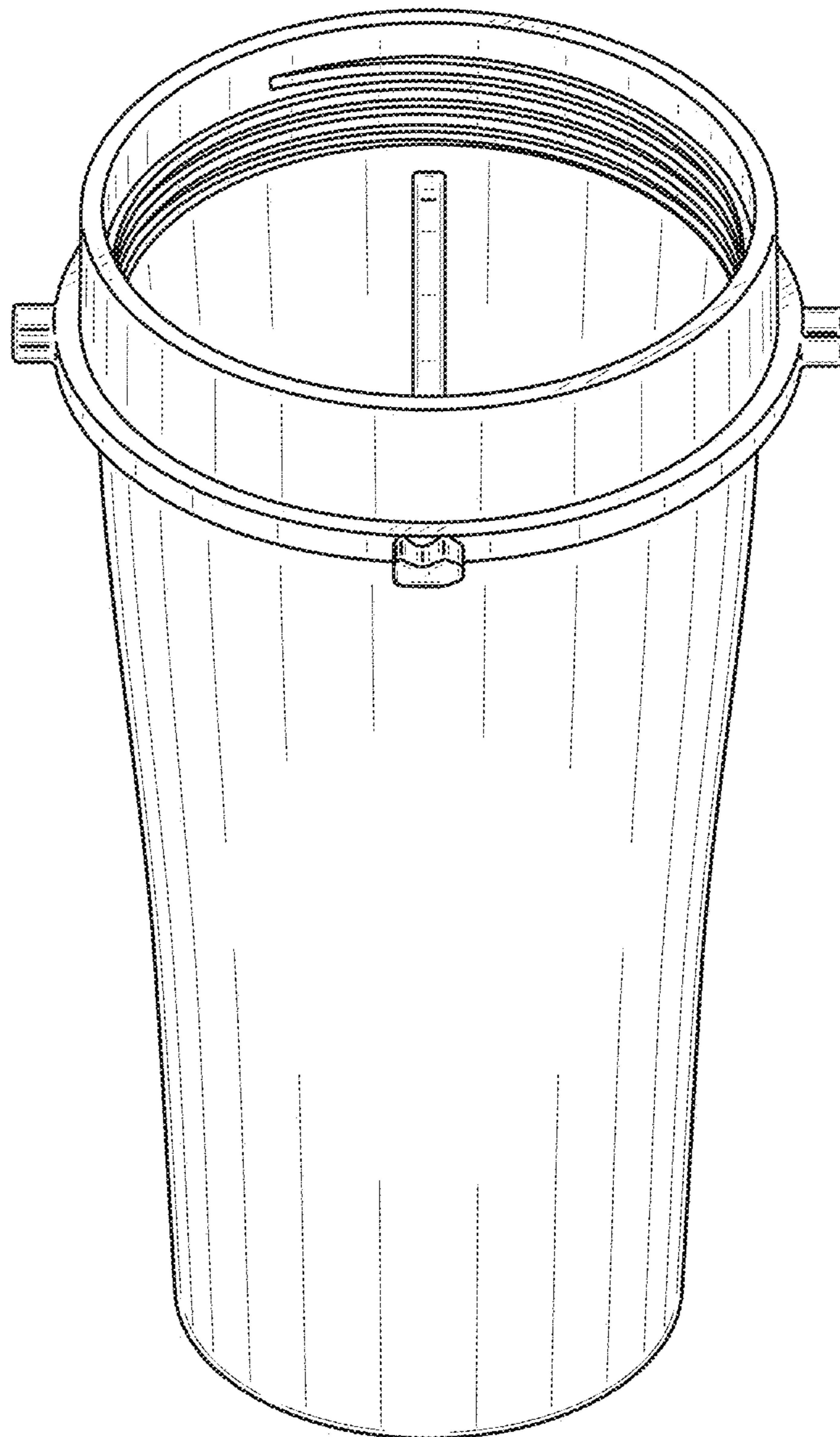


FIG. 3

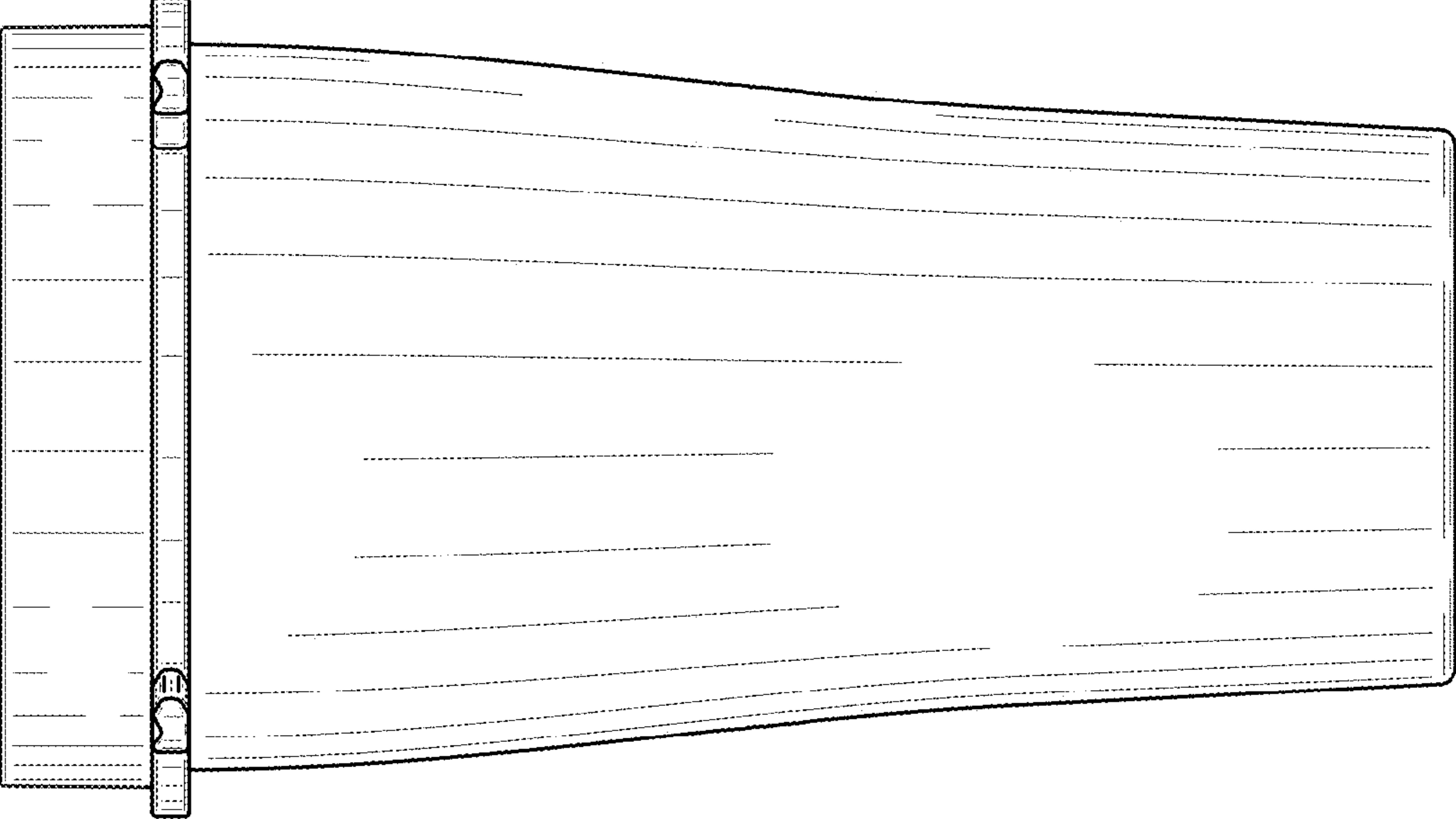


FIG. 2

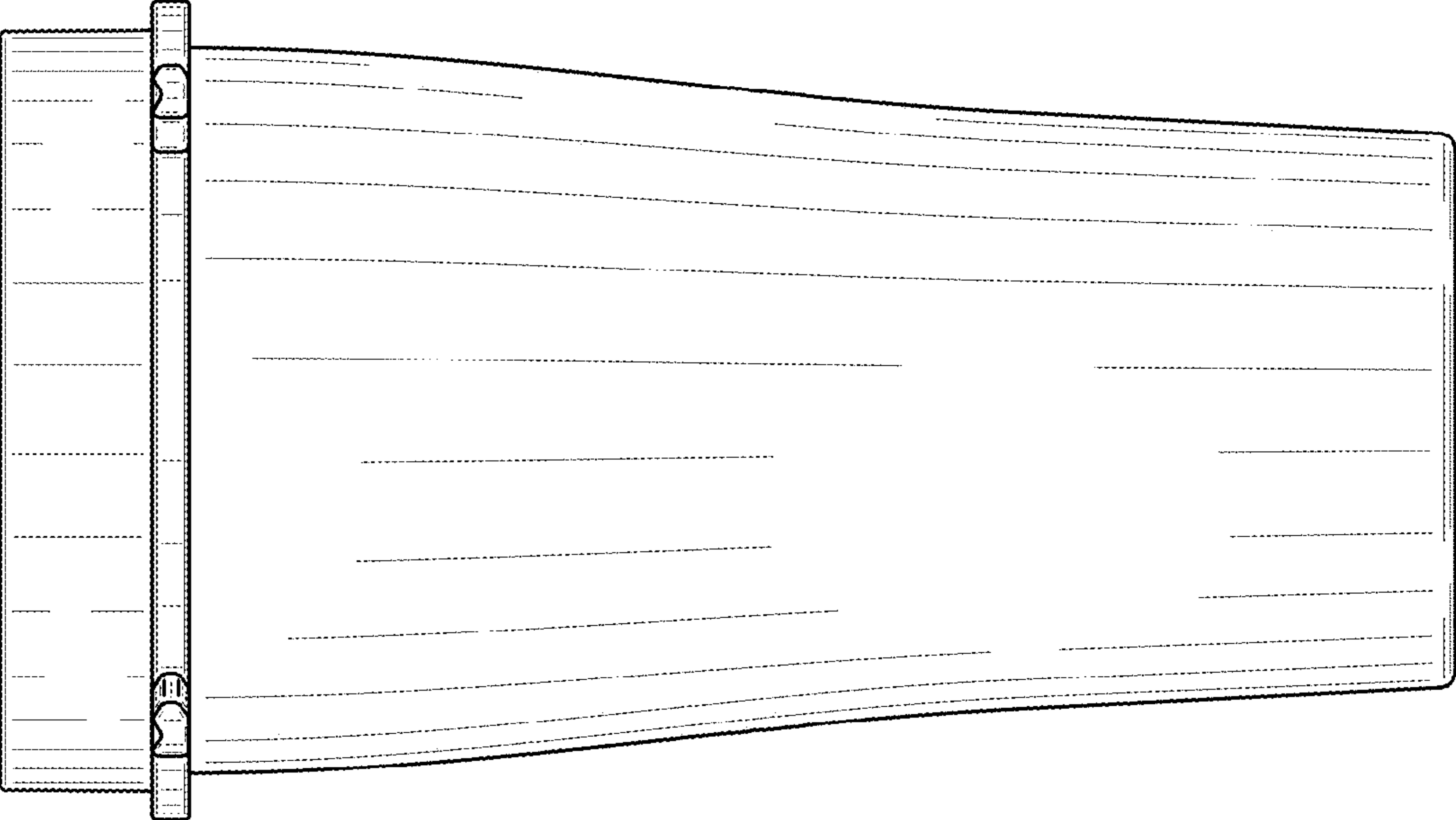


FIG. 5

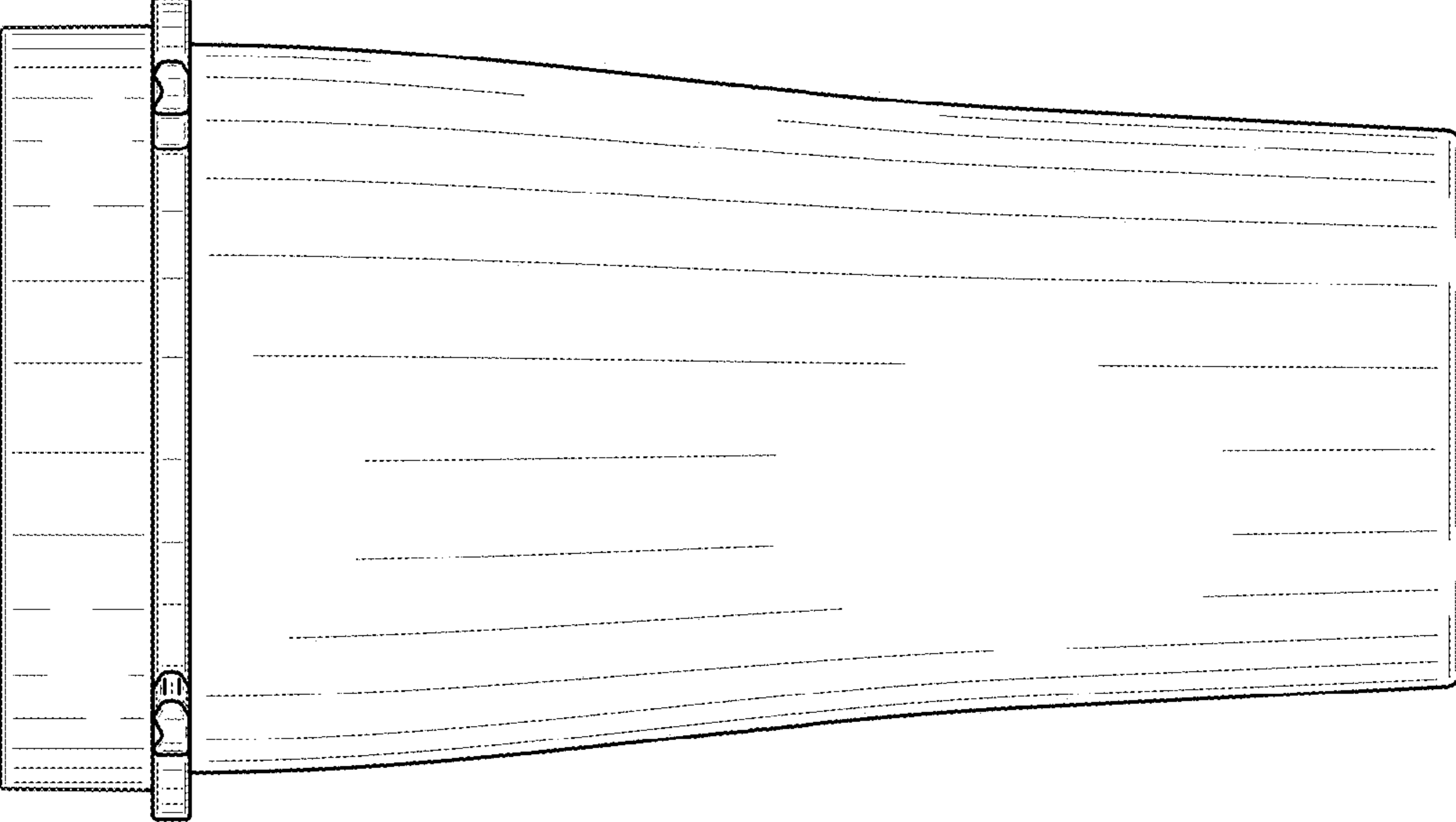


FIG. 4

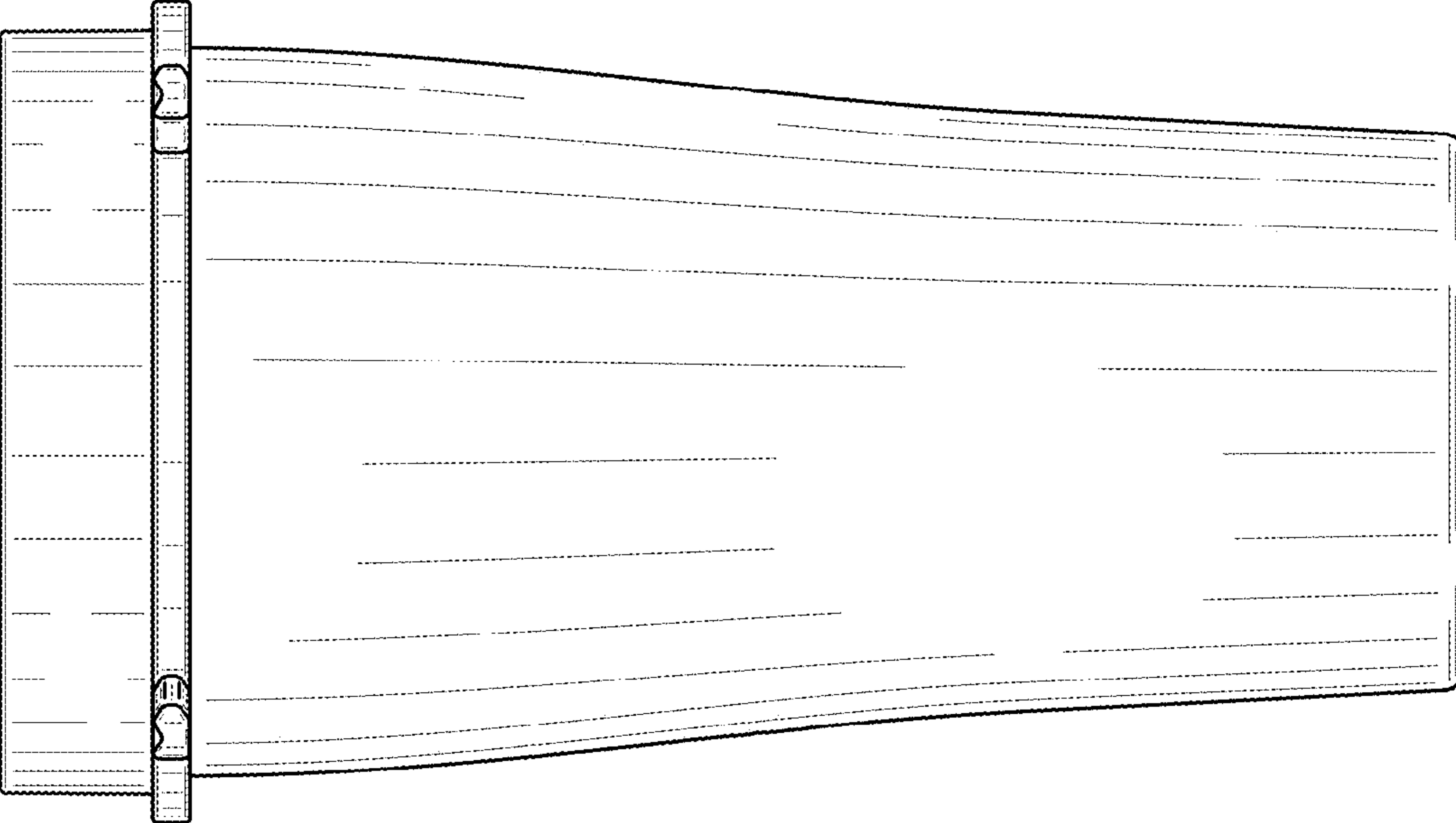


FIG. 6

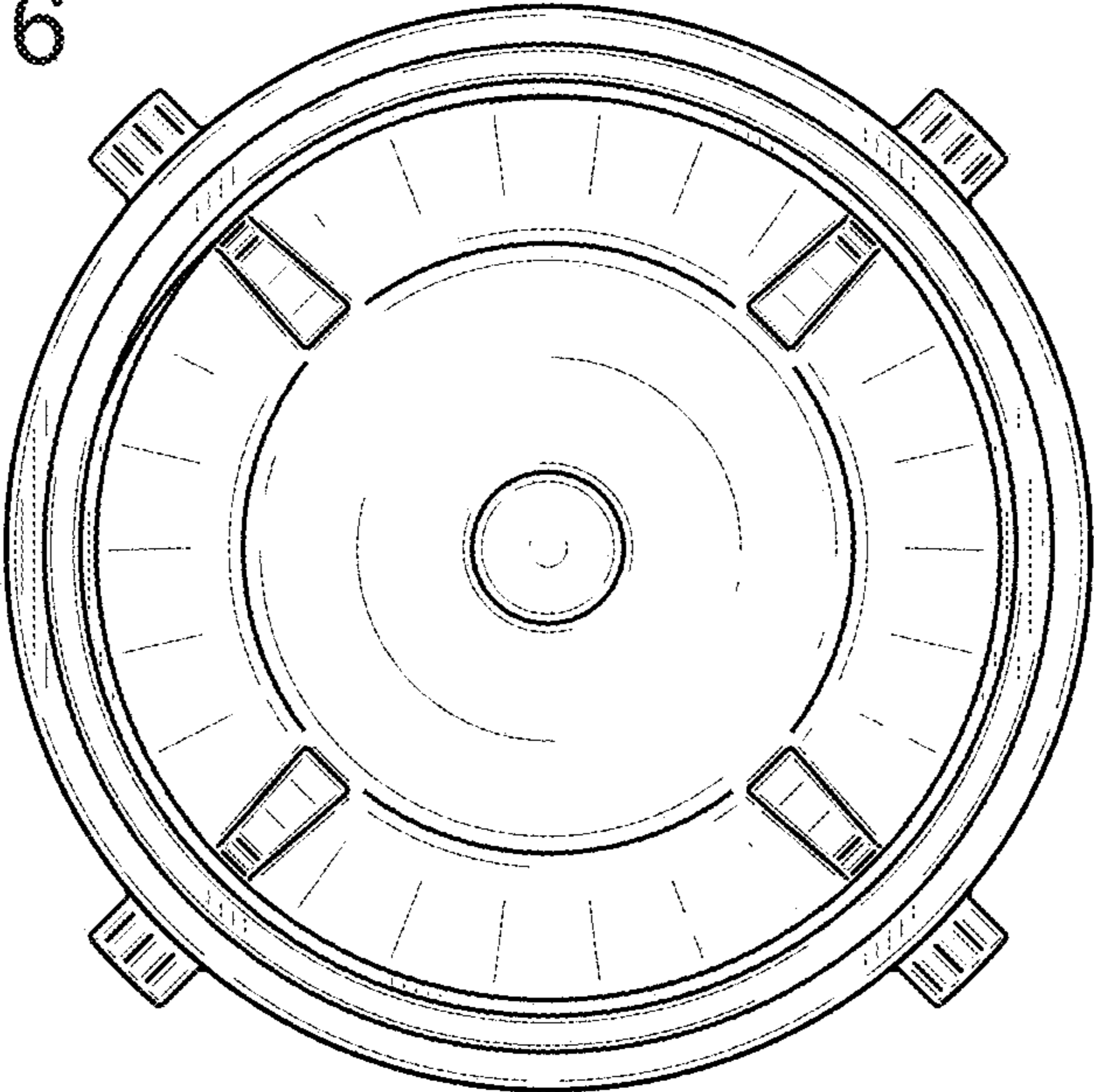


FIG. 7

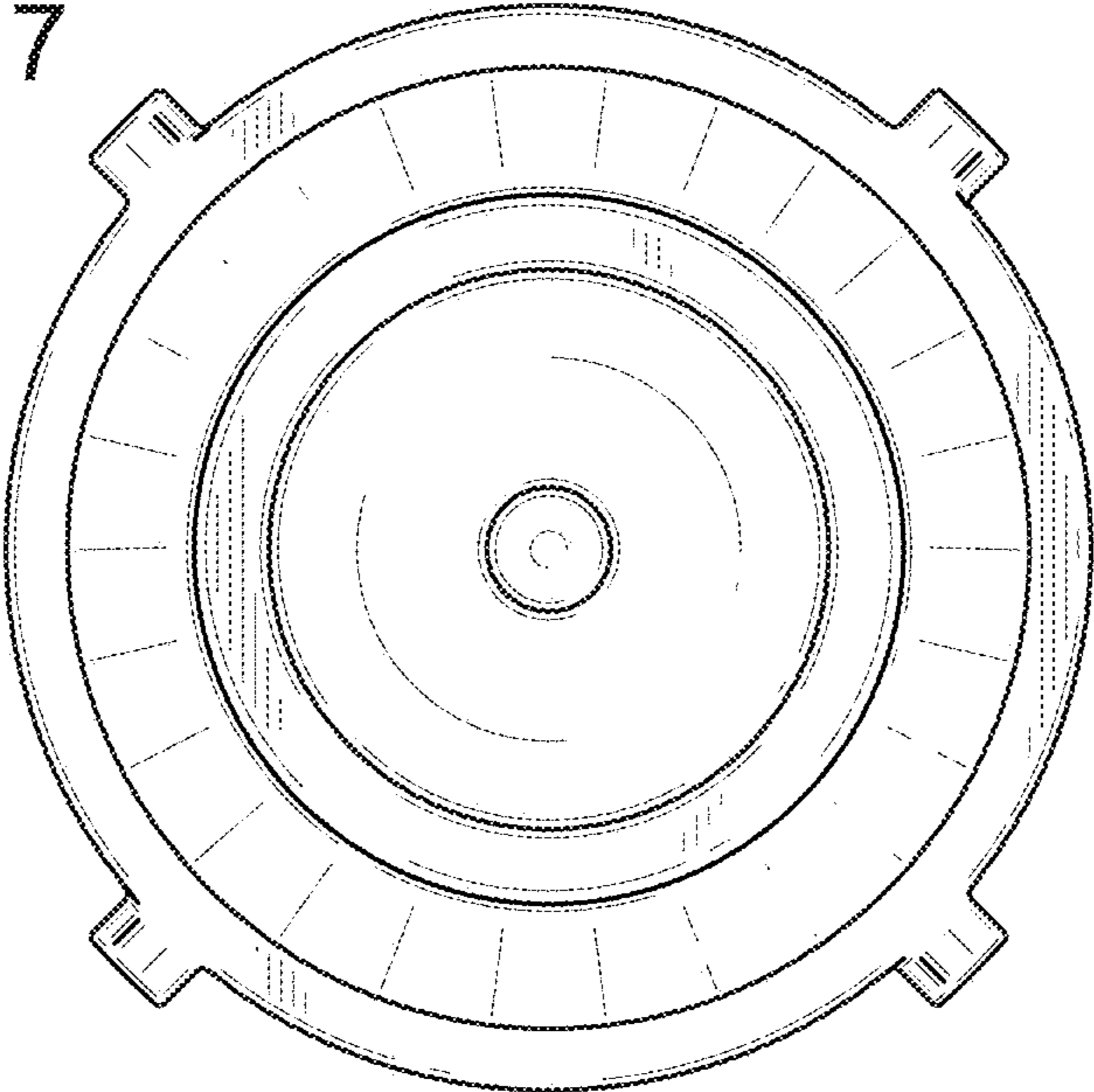


FIG. 8

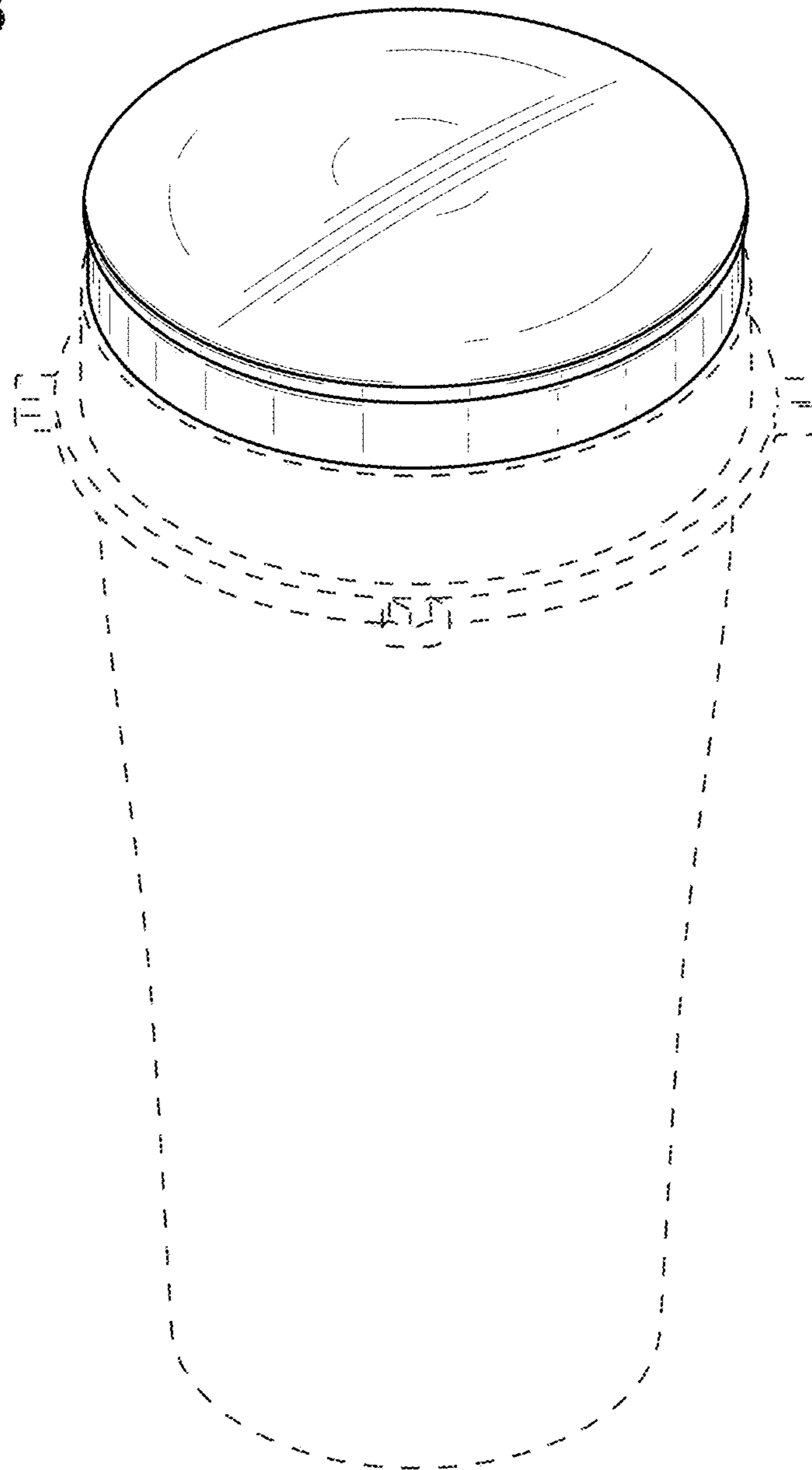


FIG. 10

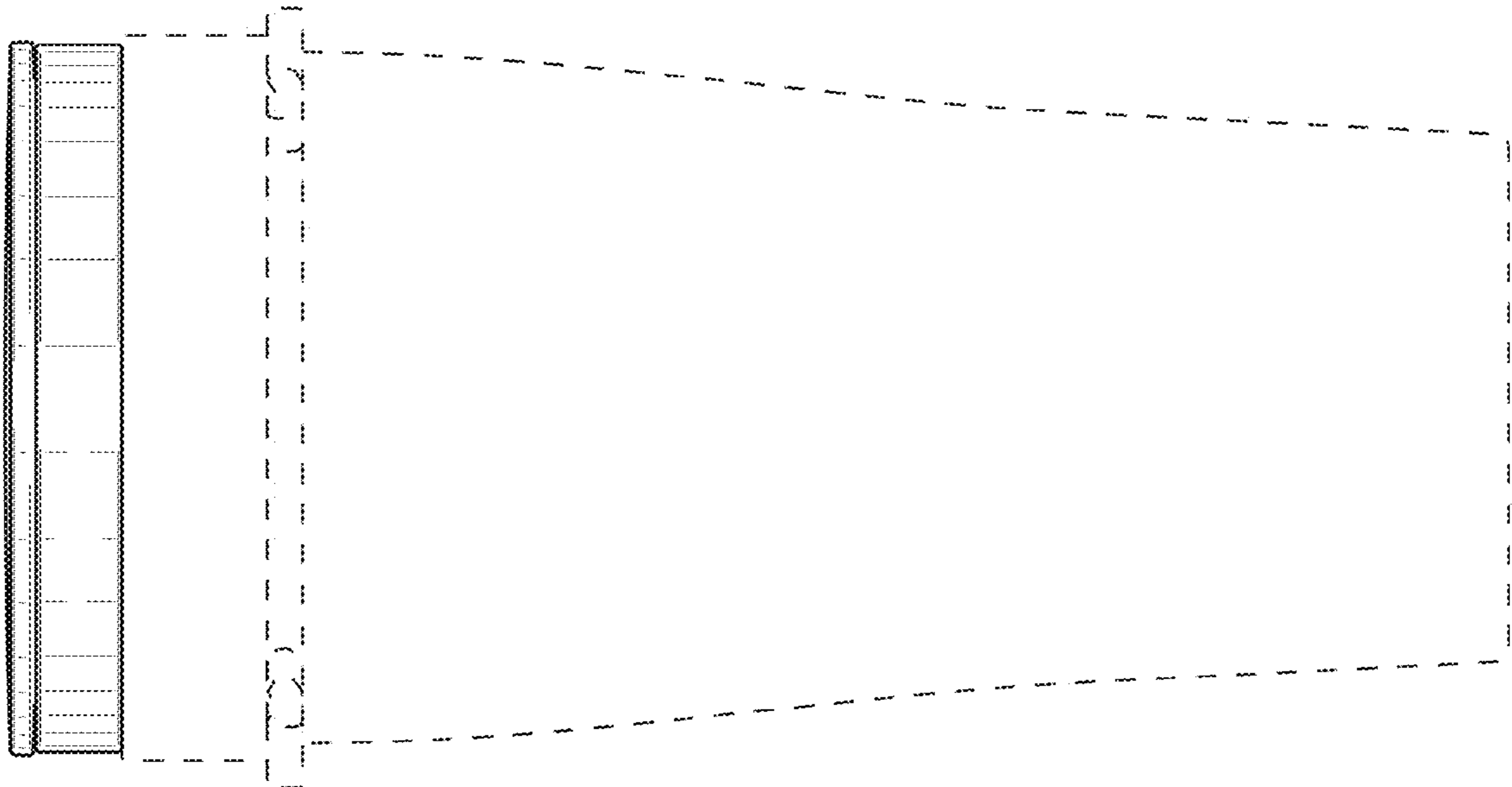


FIG. 9

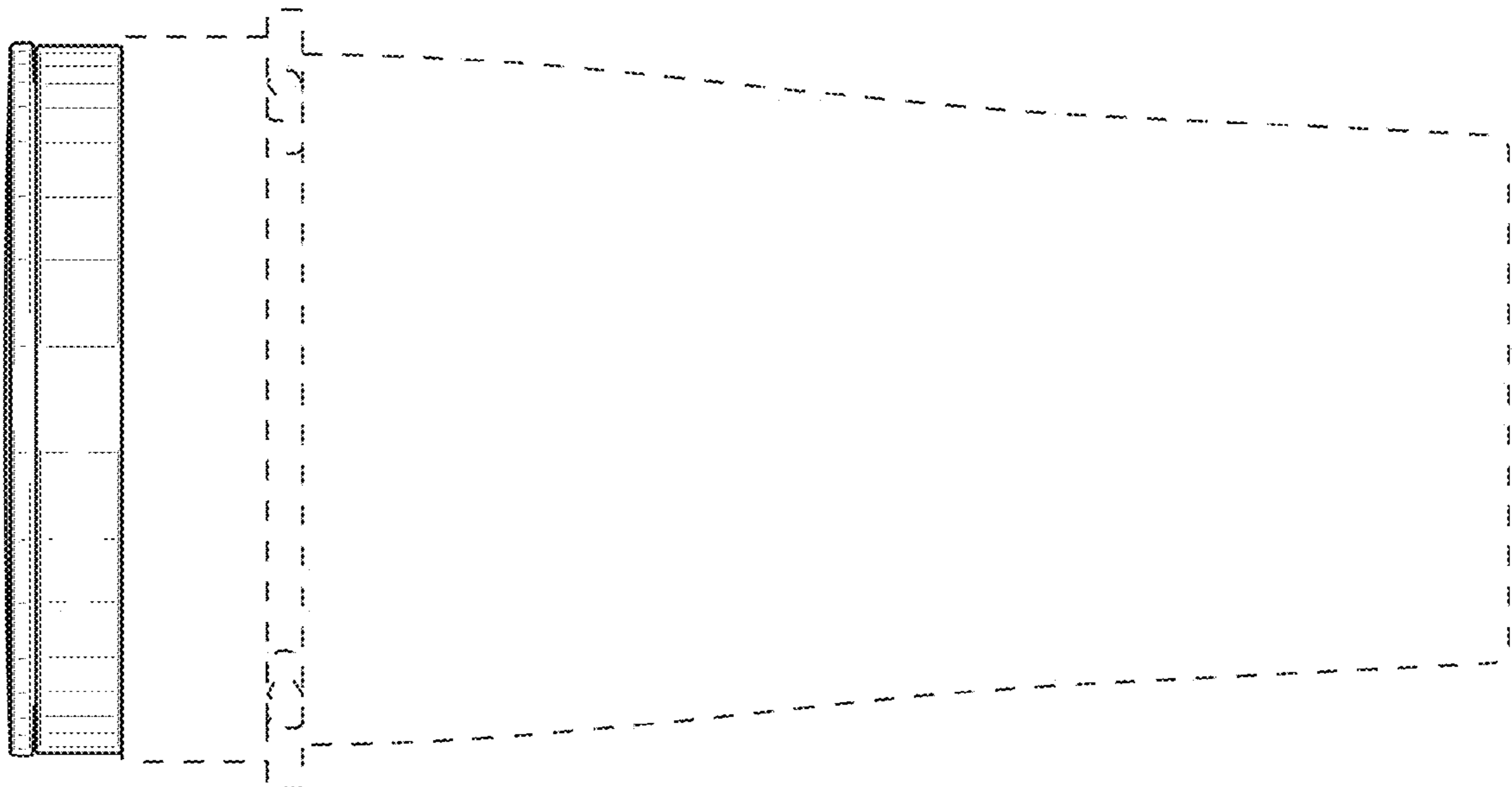


FIG. 12

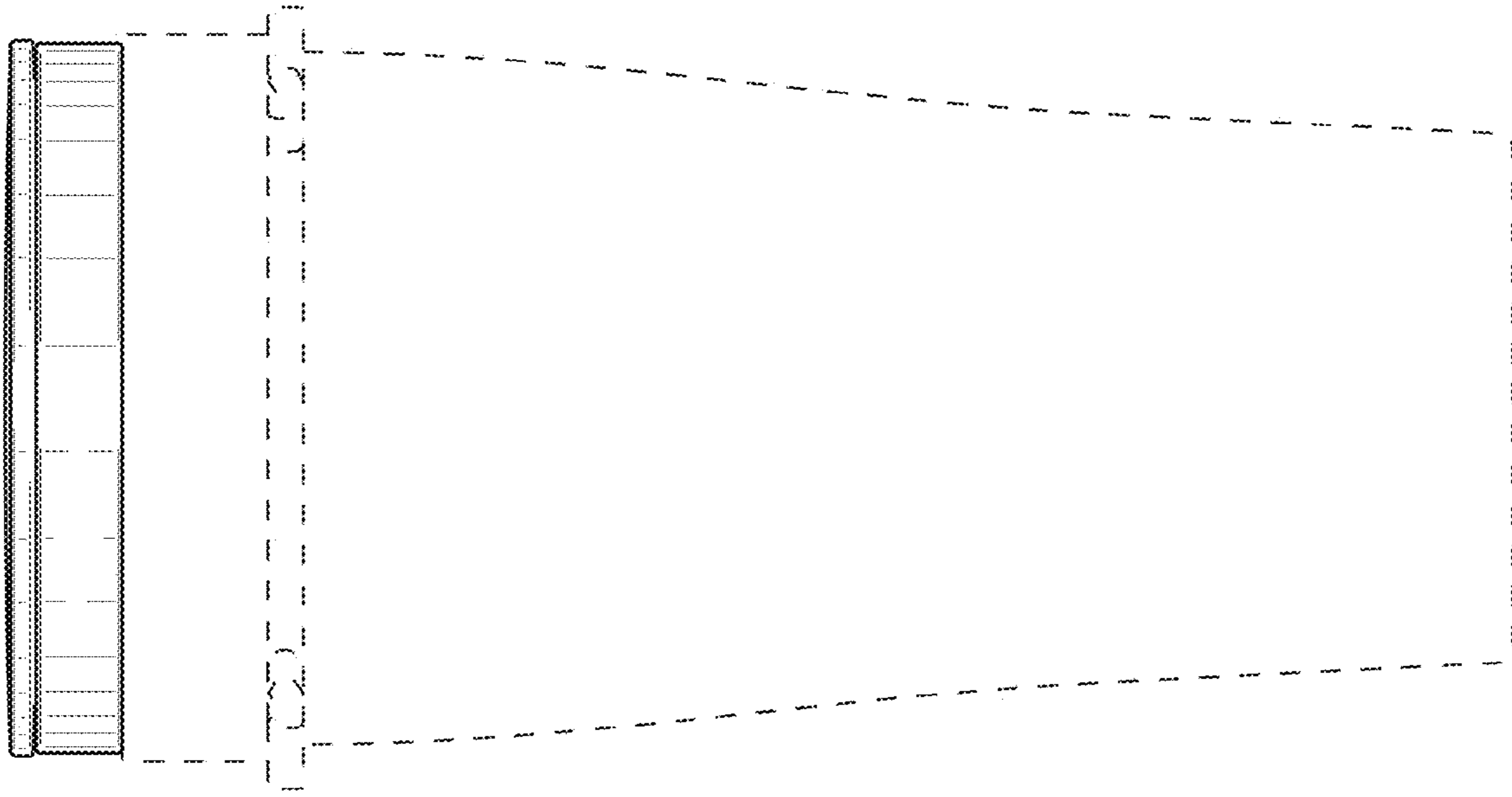


FIG. 11

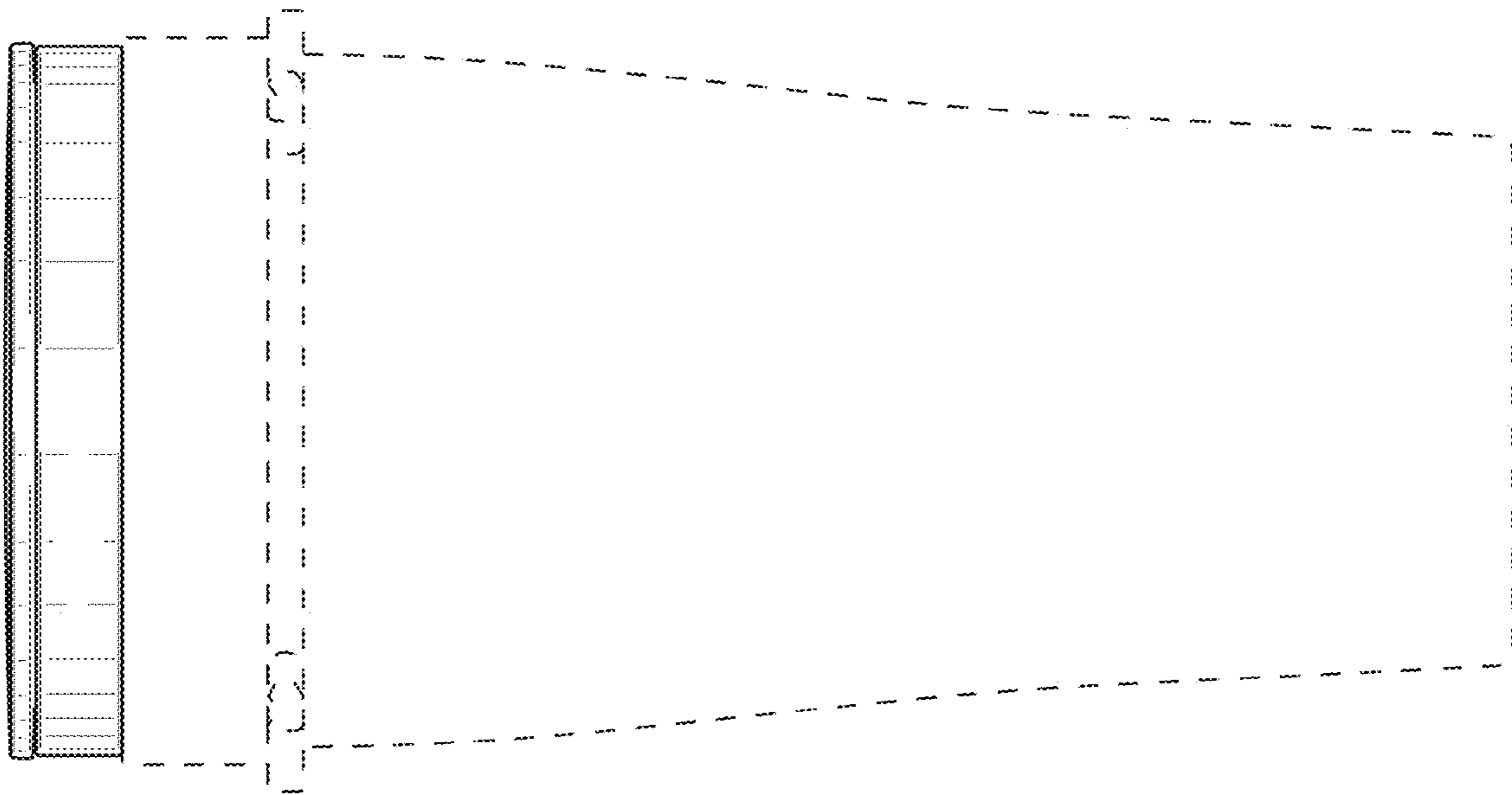


FIG. 13

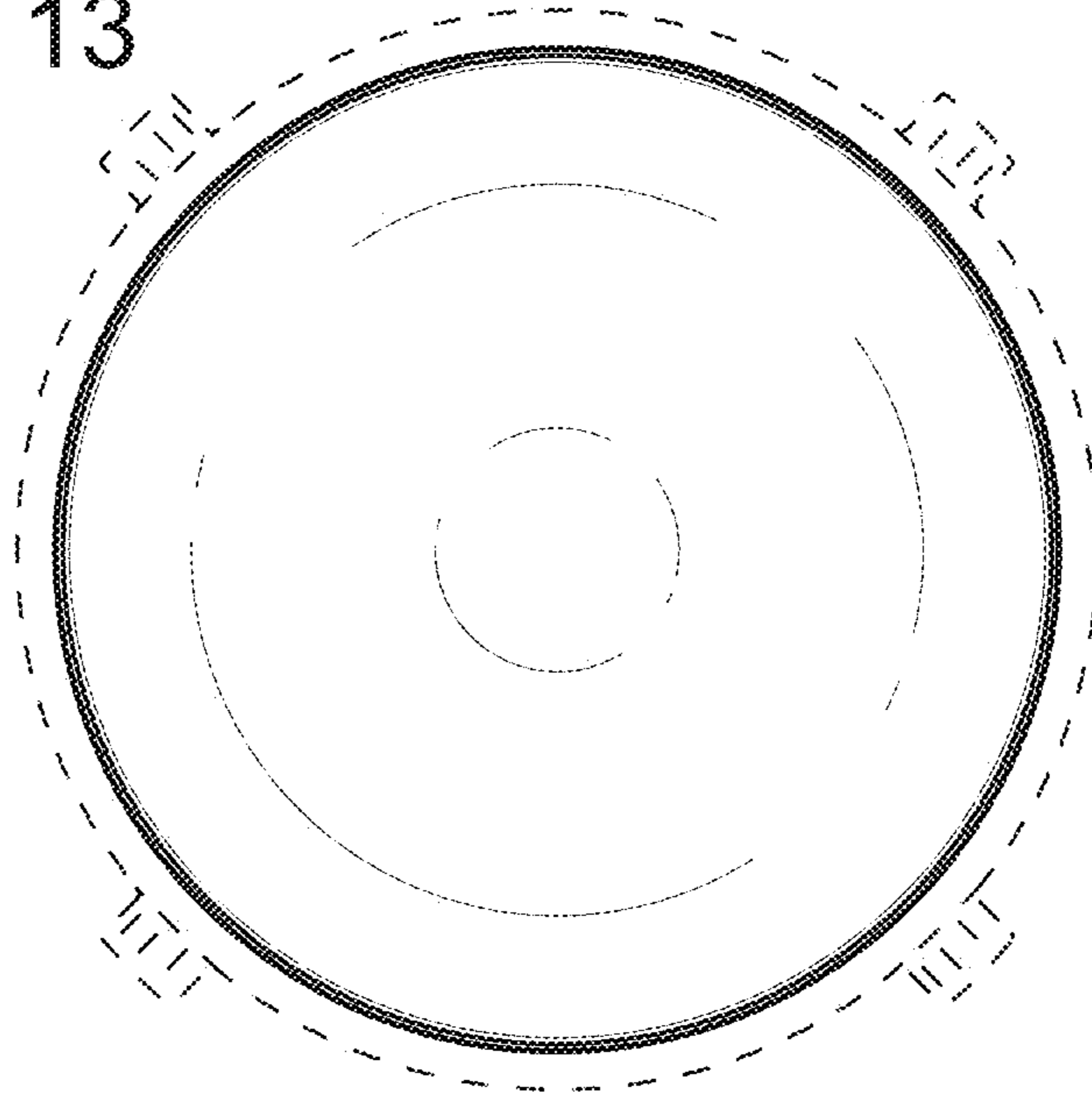


FIG. 14

