



US00D979320S

(12) **United States Design Patent**
Cai

(10) **Patent No.:** **US D979,320 S**

(45) **Date of Patent:** **** *Feb. 28, 2023**

(54) **BAKEWARE**

(71) Applicant: **Xuanjun Cai**, Chaozhou (CN)

(72) Inventor: **Xuanjun Cai**, Chaozhou (CN)

(*) Notice: This patent is subject to a terminal disclaimer.

(**) Term: **15 Years**

(21) Appl. No.: **29/764,921**

(22) Filed: **Jan. 4, 2021**

(51) **LOC (14) Cl.** **07-02**

(52) **U.S. Cl.**
USPC **D7/360; D7/354**

(58) **Field of Classification Search**
USPC D7/323, 354-361, 538, 543, 545, 549,
D7/550.1, 552.1, 553.1-553.8,
D7/554.1-554.4, 555, 584, 586, 602;
D9/425, 430-433, 455-456, 737, 756-762
CPC A21B 3/00; A21B 3/13; A21B 3/15; A21B
3/134; A21B 5/00; A21B 5/02; A47J
36/022; A47J 36/025; A47J 36/027; A47J
37/00; A47J 37/04; B65D 1/22; B65D
1/24; B65D 1/34; B65D 1/36; B65D
81/343; B65D 85/36; B65D 21/0233
See application file for complete search history.

(56) **References Cited**

U.S. PATENT DOCUMENTS

- 3,154,215 A * 10/1964 Le Vesconte B65D 21/0233
220/640
- D392,881 S * 3/1998 Bulcher D9/425
- D418,017 S * 12/1999 Henry D7/545

- D469,315 S * 1/2003 Thonis D7/602
- D470,048 S * 2/2003 Buchalski D9/425
- D495,920 S * 9/2004 Isler D9/425
- D611,303 S * 3/2010 Cimmerer B65D 43/0206
D9/425
- D661,550 S * 6/2012 Stamper D7/545
- D678,051 S * 3/2013 Krueger D9/432
- D679,585 S * 4/2013 Krueger D9/425
- D732,896 S * 6/2015 Ludeman D7/545
- D778,154 S * 2/2017 Strachan D9/432

OTHER PUBLICATIONS

Bruntmor Set of 2 Rectangular Bakeware Set Ceramic Baking Pan.
Date First Available on Amazon.com Sep. 2, 2020. <https://www.amazon.com/dp/B08H9WH715/ref> (Year: 2020).*

* cited by examiner

Primary Examiner — Ricky Pham

(74) *Attorney, Agent, or Firm* — Justin Lampel

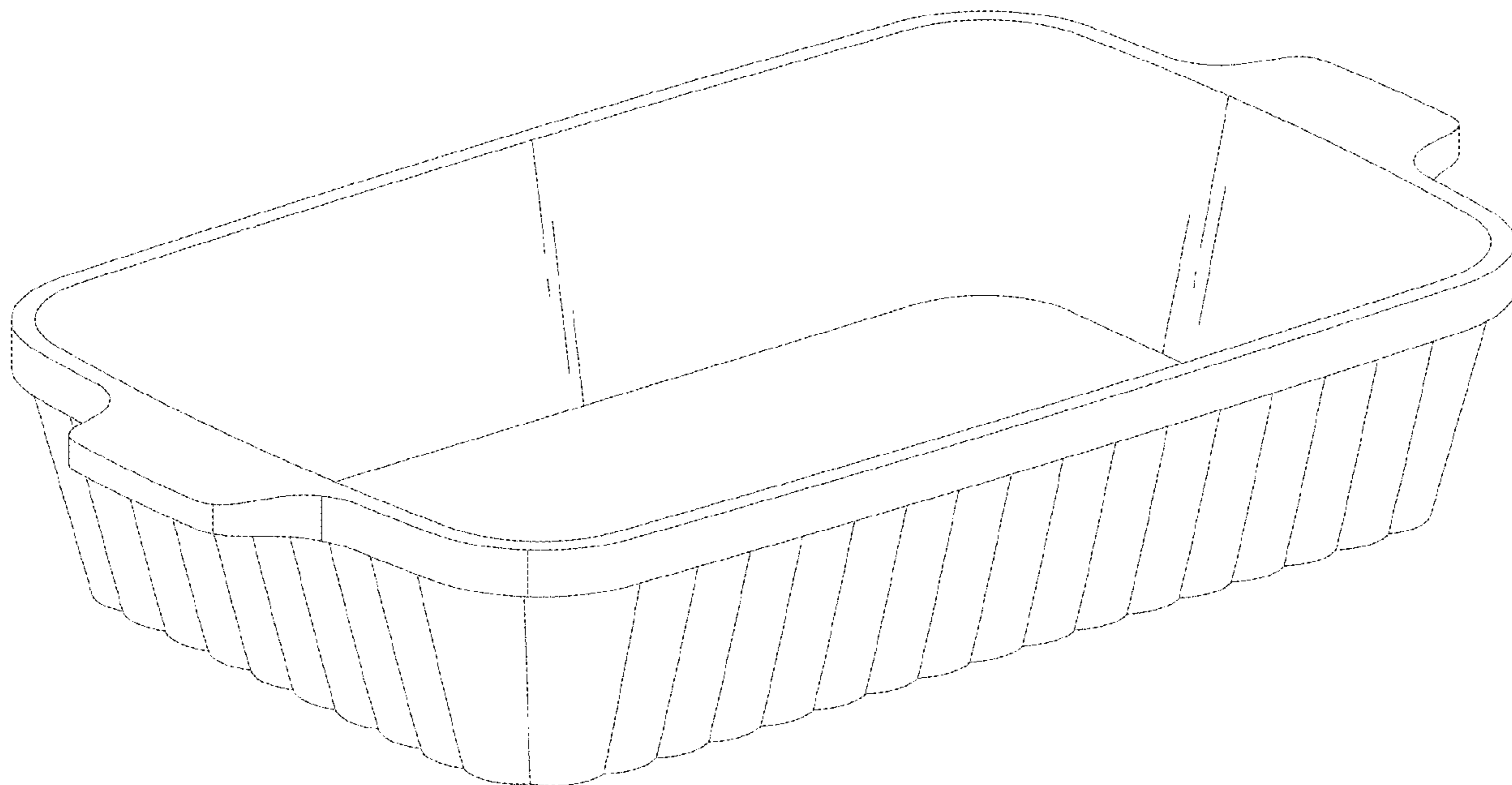
(57) **CLAIM**

The ornamental design for a bakeware, as shown and described.

DESCRIPTION

FIG. 1 is a perspective view of a bakeware showing the claimed design;
FIG. 2 is a top plan view thereof;
FIG. 3 is a rear elevational view thereof;
FIG. 4 is a right side elevational view thereof;
FIG. 5 is a front elevational view thereof;
FIG. 6 is a left side elevational view thereof; and,
FIG. 7 is a bottom plan view thereof.

1 Claim, 7 Drawing Sheets



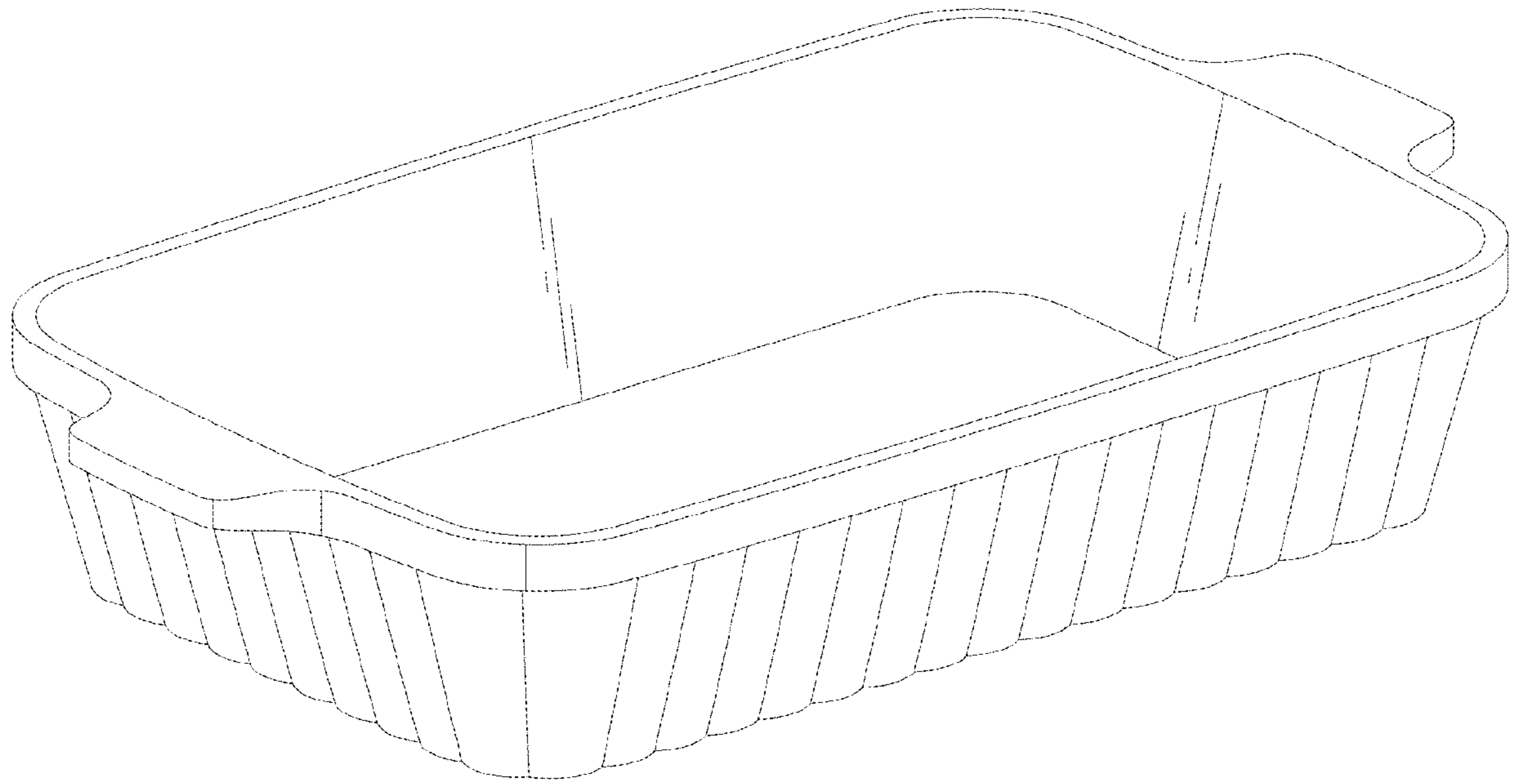


FIG. 1

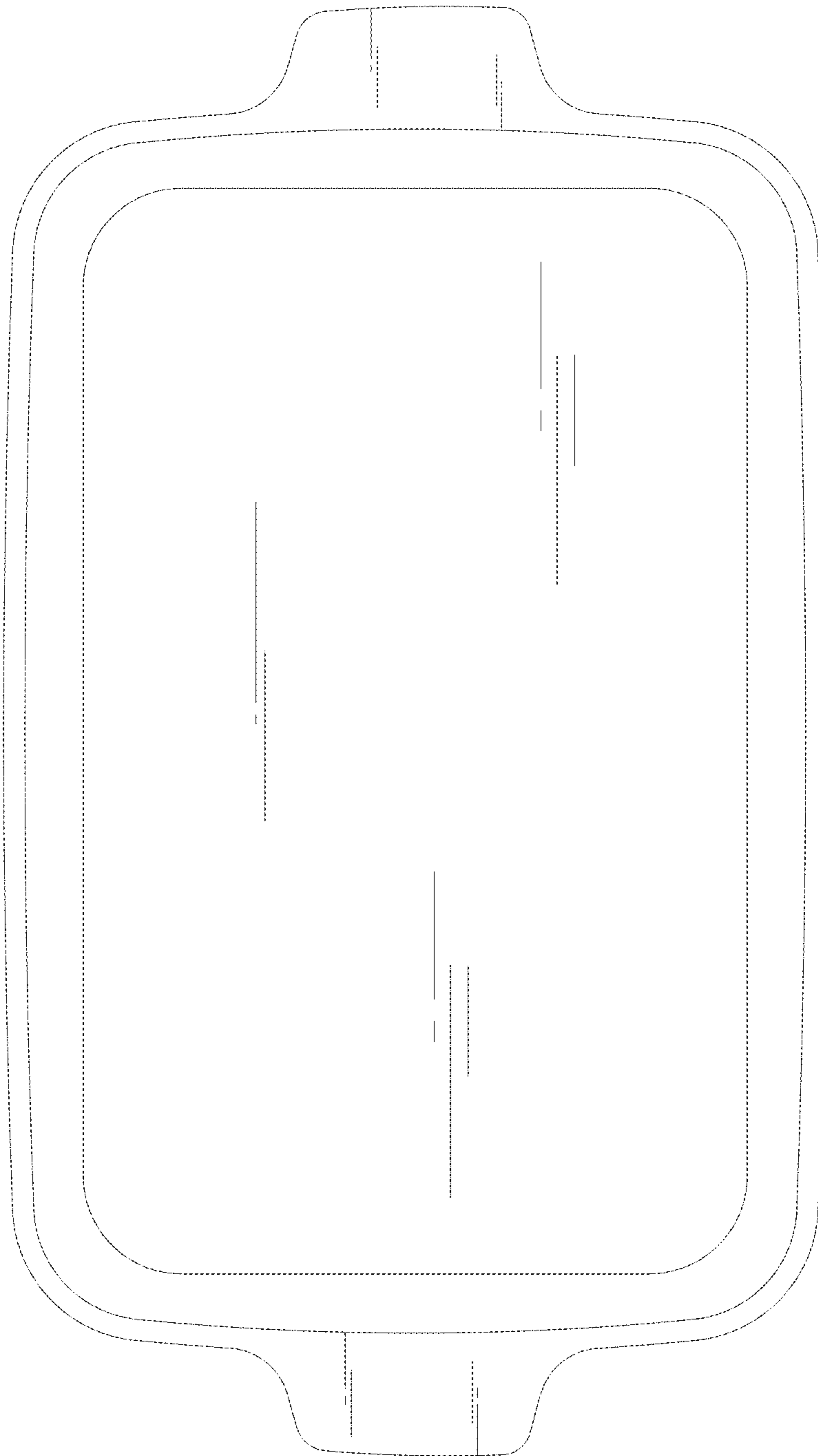


FIG. 2

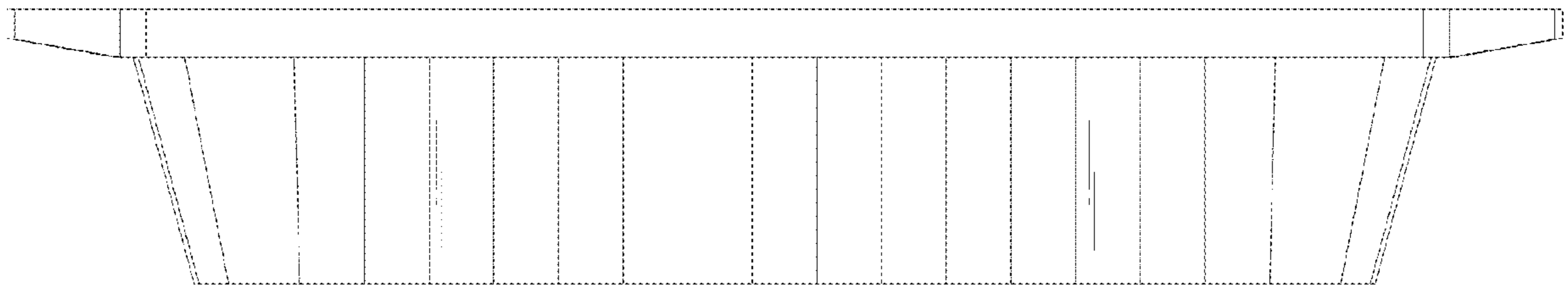


FIG. 3

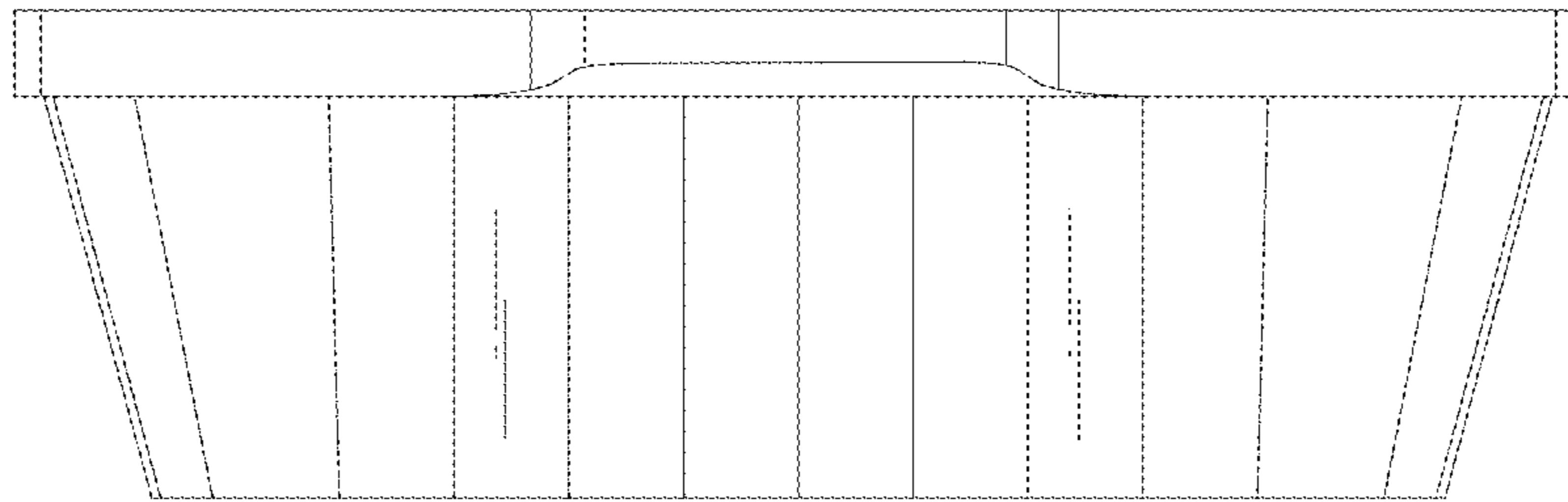


FIG. 4

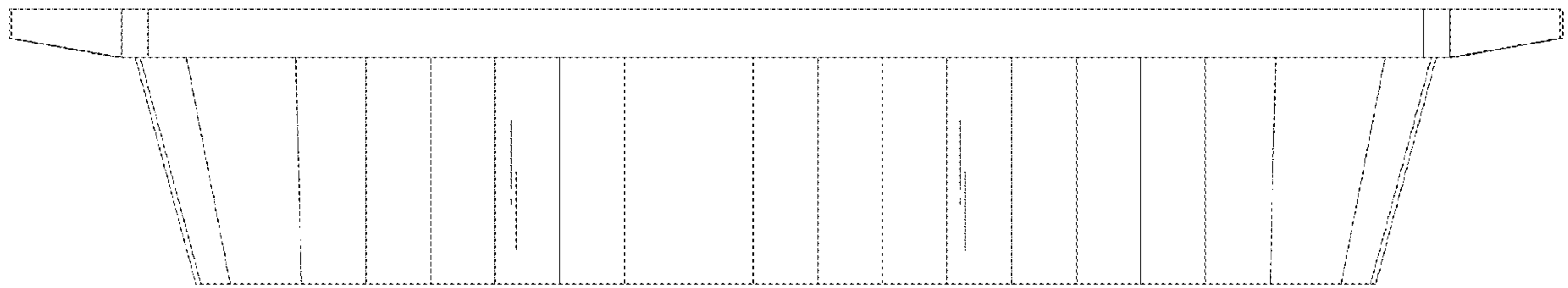


FIG. 5

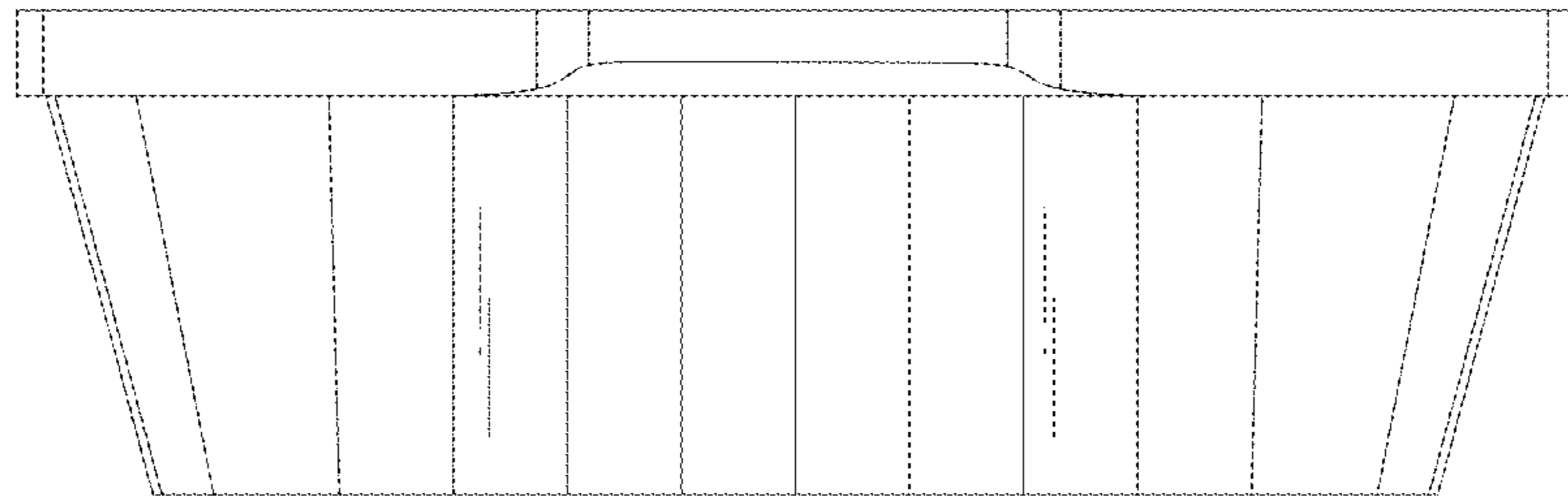


FIG. 6

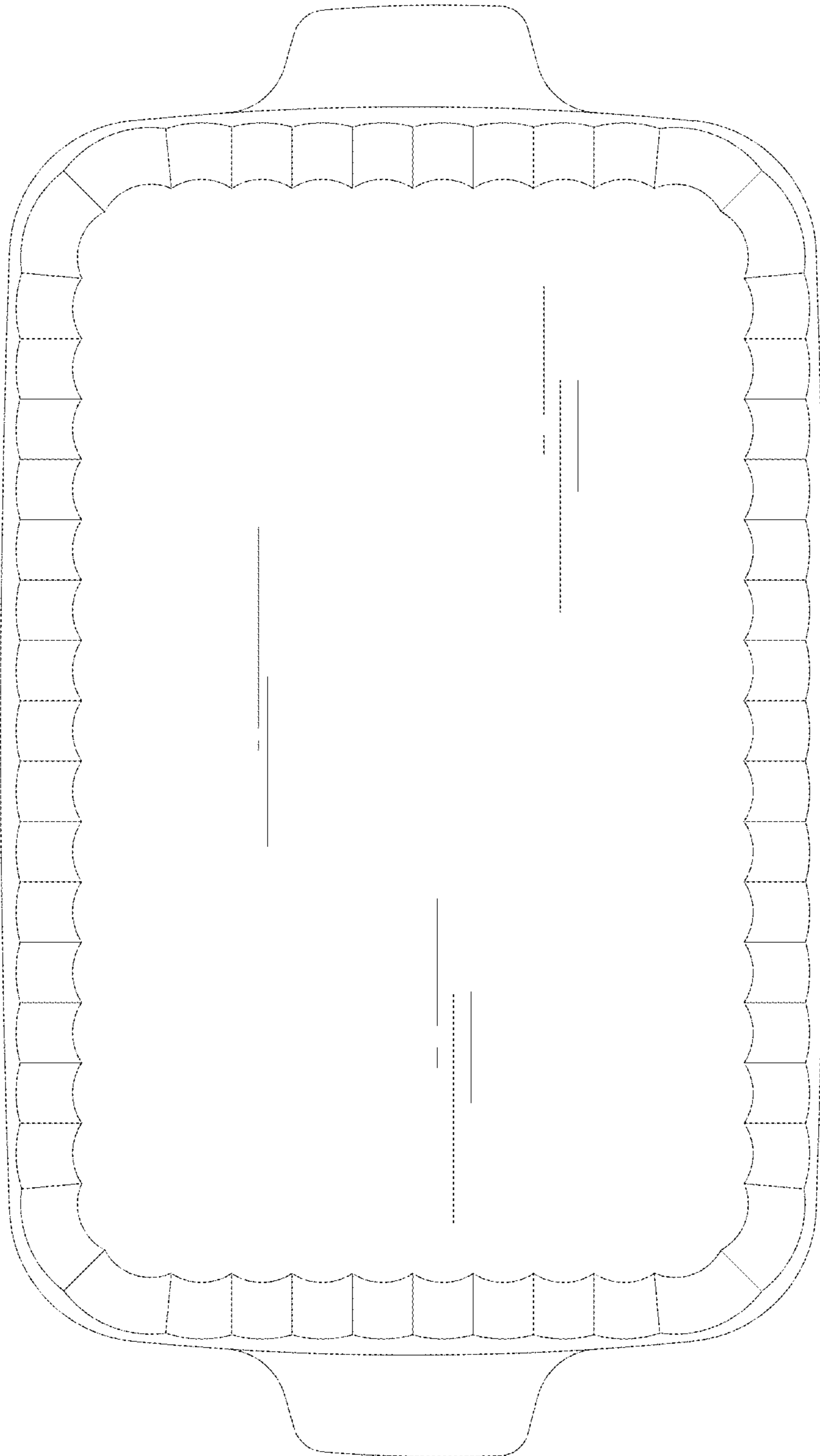


FIG. 7