



US00D979318S

(12) **United States Design Patent** (10) **Patent No.:** **US D979,318 S**  
**Ye** (45) **Date of Patent:** **\*\* Feb. 28, 2023**

(54) **GAS COOKTOP**  
(71) Applicant: **HANBANG ELECTRIC APPLIANCE CO., LTD.**, Zhongshan (CN)

D798,661 S \* 10/2017 Shoemaker ..... D7/408  
D798,662 S \* 10/2017 Shoemaker ..... D7/408  
D817,691 S \* 5/2018 Kim ..... D7/346  
D825,250 S \* 8/2018 Mok ..... D7/346  
D875,458 S \* 2/2020 Kwon ..... D7/346  
10,605,462 B2 \* 3/2020 Todd ..... F24C 3/124

(72) Inventor: **Wenyi Ye**, Zhongshan (CN)  
(\*\*) Term: **15 Years**

**FOREIGN PATENT DOCUMENTS**

CA 133869 \* 8/2015  
WO WOD102380-001 \* 1/2019

(21) Appl. No.: **29/748,751**

**OTHER PUBLICATIONS**

(22) Filed: **Sep. 1, 2020**  
(51) **LOC (14) Cl.** ..... **07-02**  
(52) **U.S. Cl.**  
USPC ..... **D7/346**

HBHOB Gas Cooktop 30 inches 5 Burners Gas Stove, announced available Mar. 4, 2021, [site visited Dec. 8, 2021], available online URL: [https://www.amazon.com/dp/B08XYY7WZY/ref=cm\\_sw\\_em\\_r\\_mt\\_dp\\_W421B4R4R1NW0QXDETQP](https://www.amazon.com/dp/B08XYY7WZY/ref=cm_sw_em_r_mt_dp_W421B4R4R1NW0QXDETQP) (Year: 2021).\*

(Continued)

(58) **Field of Classification Search**  
USPC ..... D7/323, 336, 339-341, 346-348, 352, D7/362, 365, 402, 407-409, 416; D21/523-525; D23/397, 402, 415  
CPC ..... F24C 3/002; F24C 3/008; F24C 3/022; F24C 3/027; F24C 3/08; F24C 3/082; F24C 3/087; F24C 7/00; F24C 7/002; F24C 7/046; F24C 7/067; F24C 15/02; F24C 15/04; F24C 15/10; F24C 15/102; F24C 15/107

*Primary Examiner* — Andrew Kerr  
*Assistant Examiner* — Chariton Alexakis  
(74) *Attorney, Agent, or Firm* — Rumit Ranjit Kanakia

(57) **CLAIM**

I claim the ornamental design for a gas cooktop, as shown and described.

**DESCRIPTION**

See application file for complete search history.

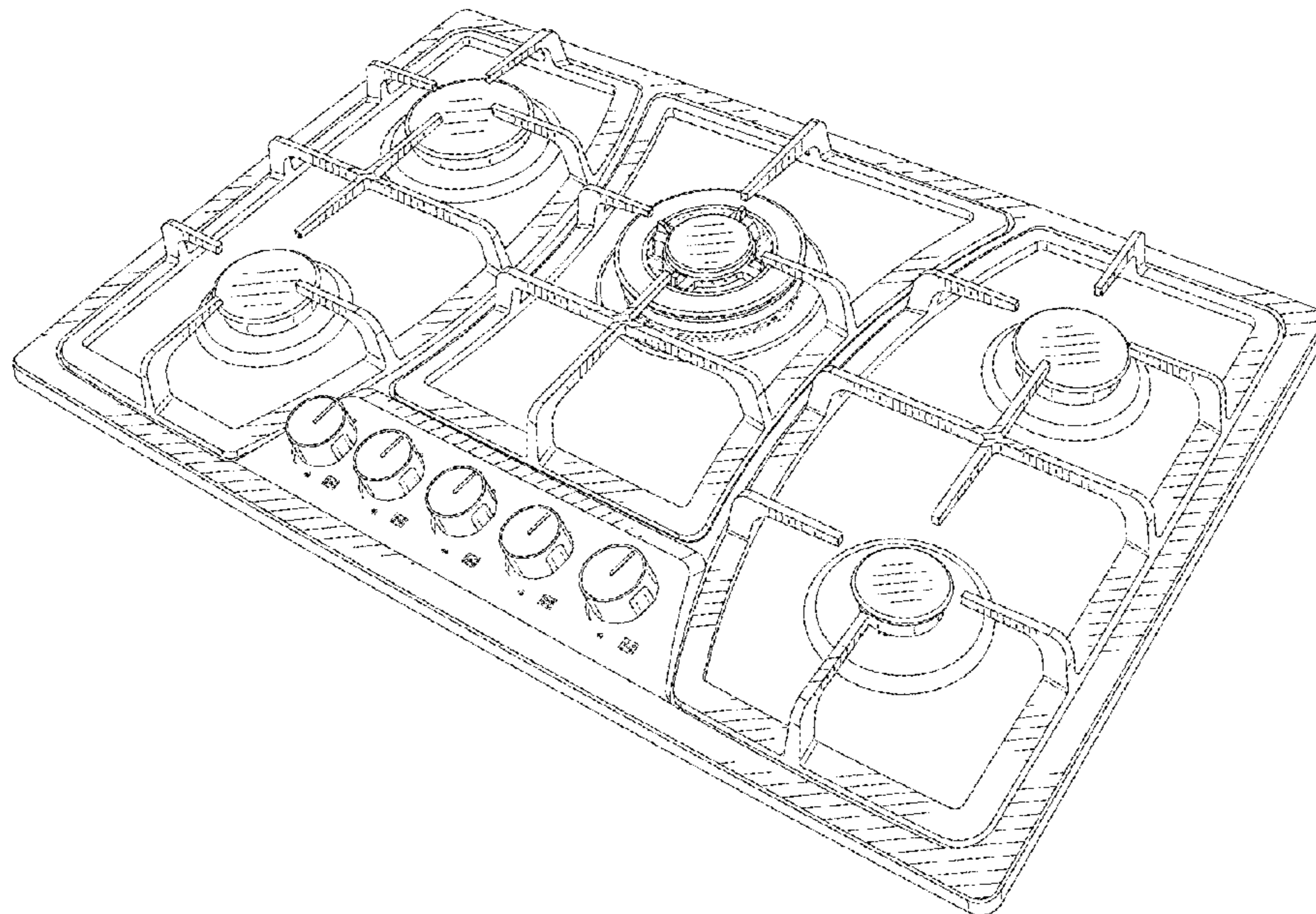
(56) **References Cited**

**U.S. PATENT DOCUMENTS**

D551,501 S \* 9/2007 Baldwin ..... D7/408  
D580,224 S \* 11/2008 Geiger ..... D7/408  
D585,241 S \* 1/2009 Geiger ..... D7/408  
D597,373 S \* 8/2009 Geiger ..... D7/408  
D628,431 S \* 12/2010 Funnell ..... D7/346  
D764,220 S \* 8/2016 Kim ..... D7/346  
D765,459 S \* 9/2016 Shoemaker ..... D7/346  
D778,102 S \* 2/2017 Spurrier ..... D7/346  
D782,863 S \* 4/2017 Kamper ..... D7/346

FIG. 1 is a Perspective view of a gas cooktop showing my new design;  
FIG. 2 is a Front view thereof;  
FIG. 3 is a Back view thereof;  
FIG. 4 is a Left-side view thereof;  
FIG. 5 is a Right-side view thereof;  
FIG. 6 is a Top elevation view thereof; and,  
FIG. 7 is a Bottom view thereof.  
The broken lines are for the purpose of illustrating portions of the article that form no part of the claim.

**1 Claim, 7 Drawing Sheets**



(56)

**References Cited**

OTHER PUBLICATIONS

Hotfield 30 inches Gas Cooktop, announced Jan. 13, 2021, [site visited Dec. 8, 2021], available online URL: [https://www.amazon.com/dp/B09DF7TH42/ref=cm\\_sw\\_em\\_r\\_mt\\_dp\\_BQ5DCBZFYDC9W61A8WQ5?\\_encoding=UTF8&pvc=1](https://www.amazon.com/dp/B09DF7TH42/ref=cm_sw_em_r_mt_dp_BQ5DCBZFYDC9W61A8WQ5?_encoding=UTF8&pvc=1) (Year: 2021).\*

Frigidaire Professional 30-Inch Gas Cooktop, announced Sep. 16, 2015, [site visited Dec. 8, 2021], available online URL: [https://www.amazon.com/dp/B014VTZNCA/ref=cm\\_sw\\_em\\_r\\_mt\\_dp\\_JGT2499CZ3VT400BW85H](https://www.amazon.com/dp/B014VTZNCA/ref=cm_sw_em_r_mt_dp_JGT2499CZ3VT400BW85H) (Year: 2015).\*

30 inches Gas Cooktop 5 Burners Gas Stove gas hob stovetop Stainless Steel Cooktop 5 Sealed Burners Cast Iron Grates Built-in Gas Stove Top LPG/NG Gas Cooktop Thermocouple Protection and Easy to Clean; <https://www.amazon.com/gp/product/B07Y53Z67W>; Sep. 19, 2019.

<https://cnhbhob.com/>, Mar. 1, 2020.

HBHOB 5 Burner 30 inches Gas Cooktop Stainless Steel LPG gas hob Built in cooker; <https://www.ebay.com/itm/293576163970>; May 10, 2020.

\* cited by examiner

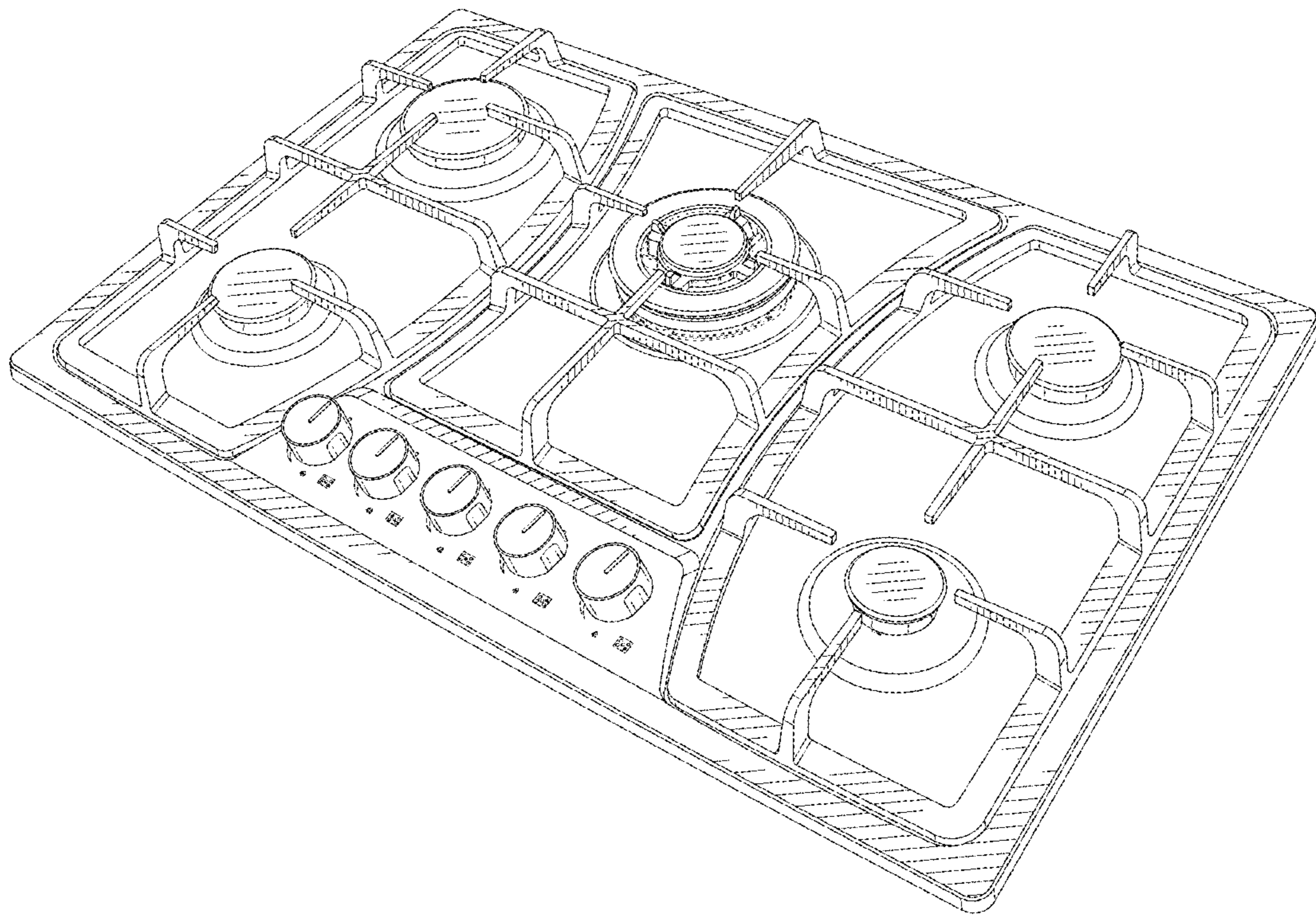


FIG. 1



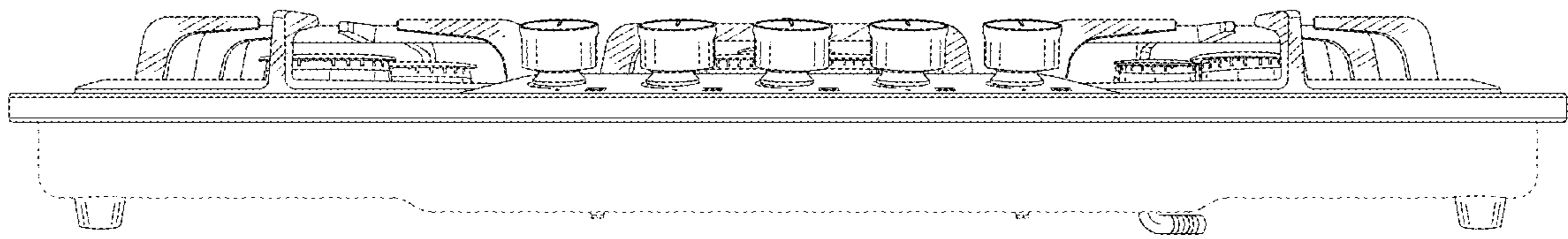


FIG. 2

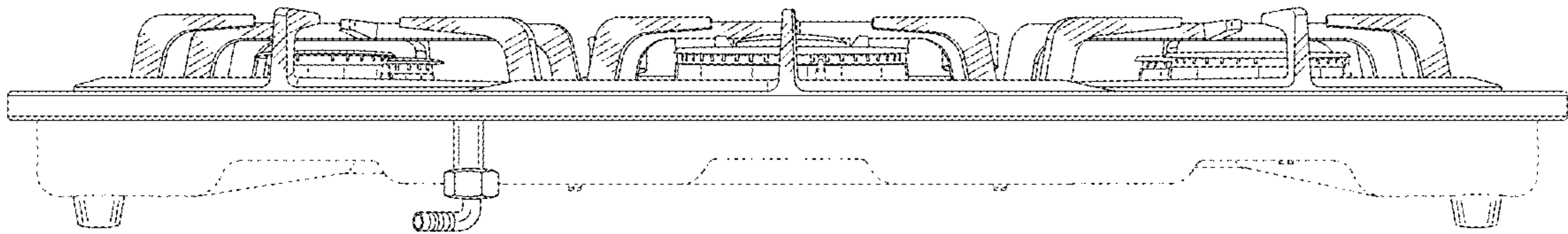


FIG. 3

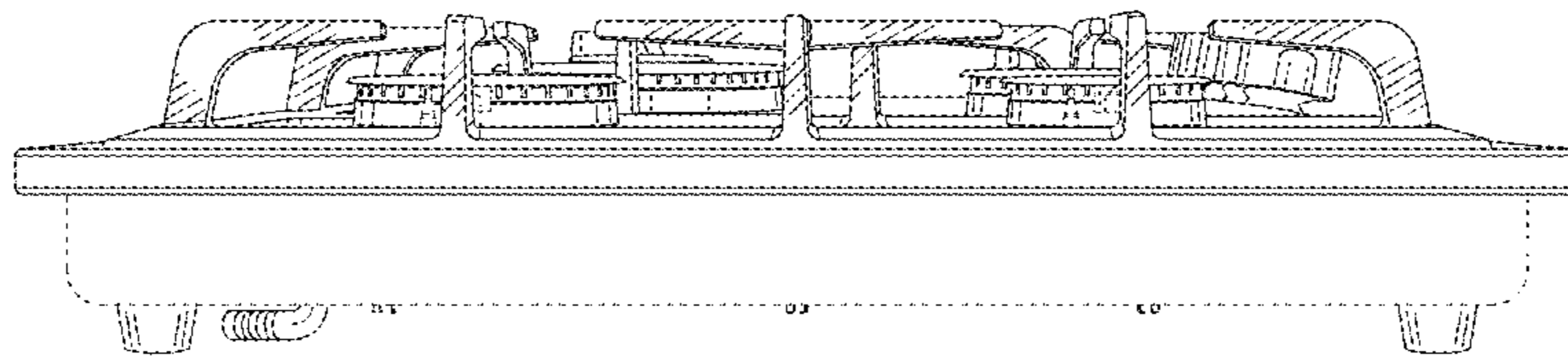


FIG. 4

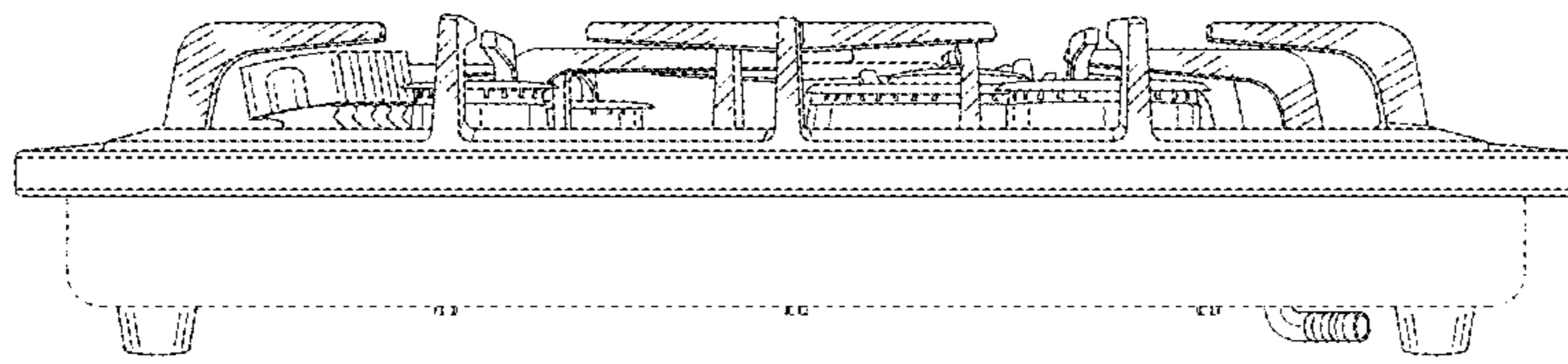


FIG. 5

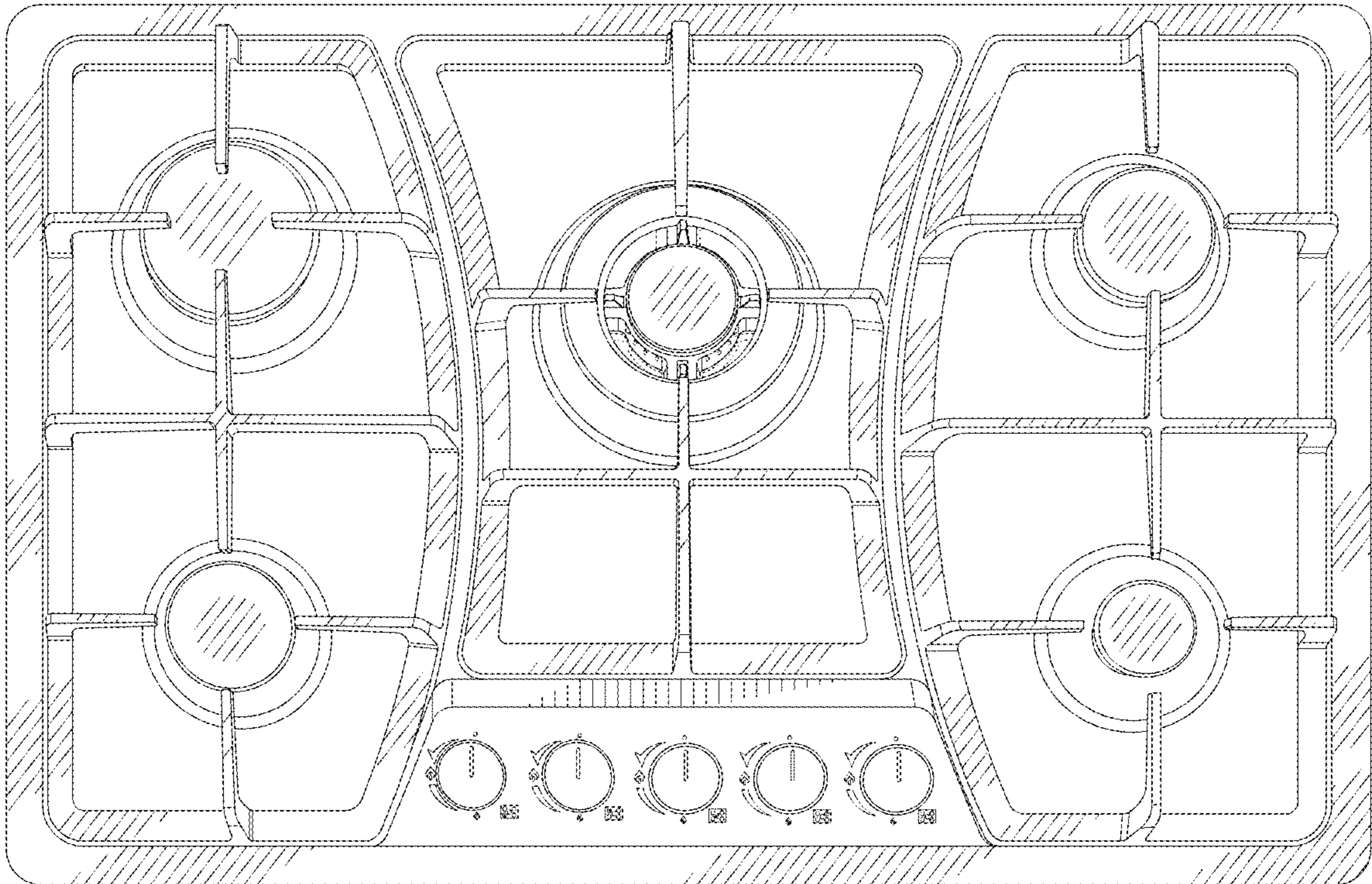


FIG. 6



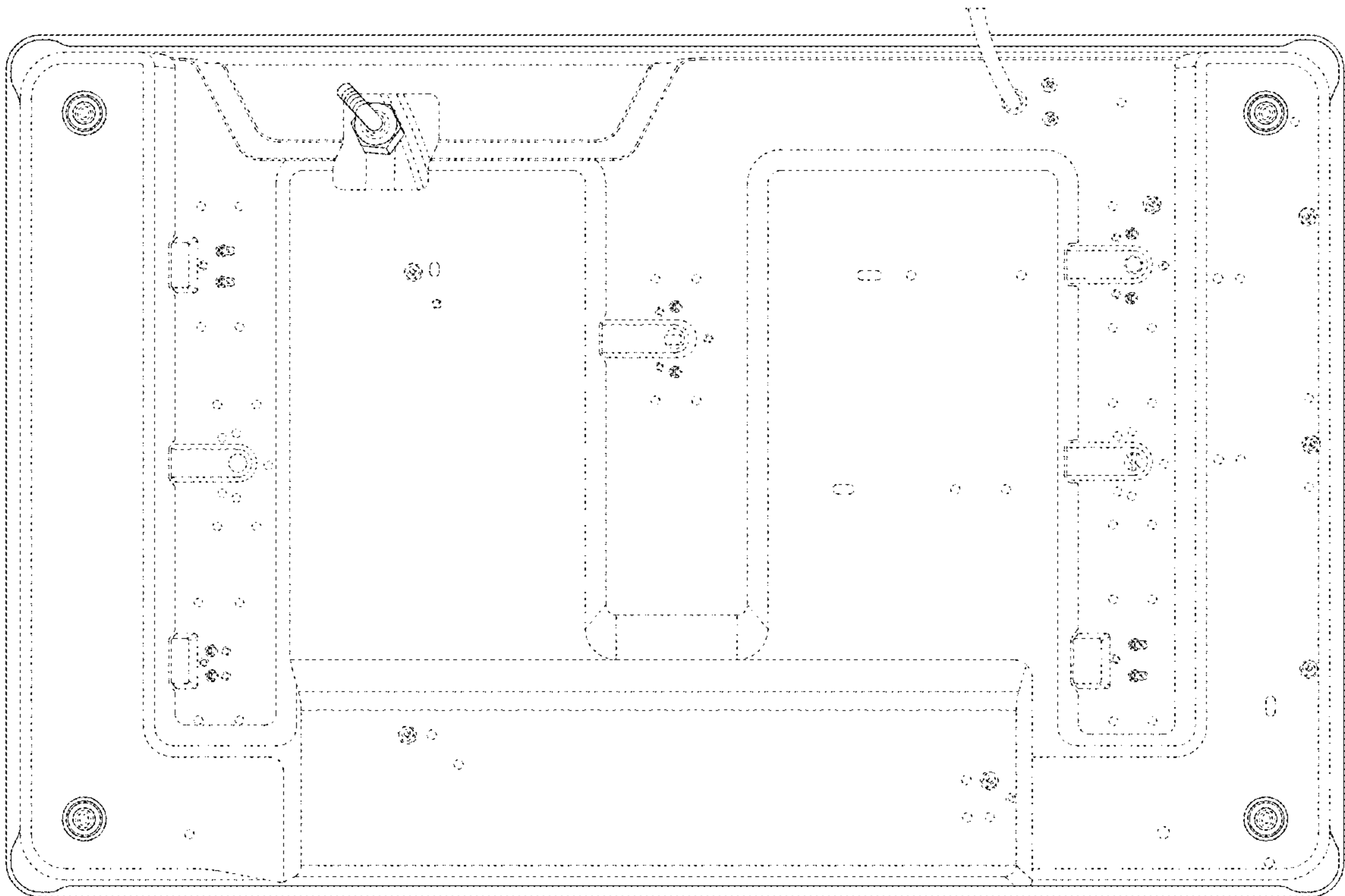


FIG. 7