



US00D979317S

(12) **United States Design Patent** (10) **Patent No.:** **US D979,317 S**
Bennion et al. (45) **Date of Patent:** **** Feb. 28, 2023**

(54) **PORTABLE GRILL**

- (71) Applicant: **Weber-Stephen Products LLC**,
Palatine, IL (US)
- (72) Inventors: **Derek Bennion**, Chicago, IL (US);
Evan Sparks, Cottage Grove, WI (US);
Joel Kramka, Madison, WI (US);
Montel Caruthers, Madison, WI (US);
Henry M. Hillstrom, Chicago, IL (US)
- (73) Assignee: **WEBER-STEPHEN PRODUCTS LLC**,
Palatine, IL (US)

- (**) Term: **15 Years**
- (21) Appl. No.: **29/835,989**
- (22) Filed: **Apr. 22, 2022**

Related U.S. Application Data

- (63) Continuation of application No. 29/751,212, filed on
Sep. 18, 2020, now Pat. No. Des. 953,792, which is
(Continued)
- (51) **LOC (14) Cl.** **07-02**
- (52) **U.S. Cl.**
USPC **D7/334; D6/656**
- (58) **Field of Classification Search**
USPC D23/314, 332, 335, 339, 343, 345;
D7/323, 332, 334, 339, 347, 362, 363,
(Continued)

(56) **References Cited**

U.S. PATENT DOCUMENTS

- 3,147,748 A * 9/1964 Frank B62B 1/12
126/9 R
- 4,488,535 A 12/1984 Johnson
(Continued)

FOREIGN PATENT DOCUMENTS

- CA 196796 * 2/2022
- CA 198063 * 2/2022
(Continued)

OTHER PUBLICATIONS

Mototeks [online] URL: <https://www.amazon.com/Mototeks-Inc-Portable-Matchless-Lighting/dp/B07Q2J3PDK/> (site visited: Dec. 28, 2021) (Year: 2019).*

(Continued)

Primary Examiner — Jae Liang
Assistant Examiner — Tia Ruth-Renee Polidori
(74) *Attorney, Agent, or Firm* — Hanley, Flight & Zimmerman, LLC

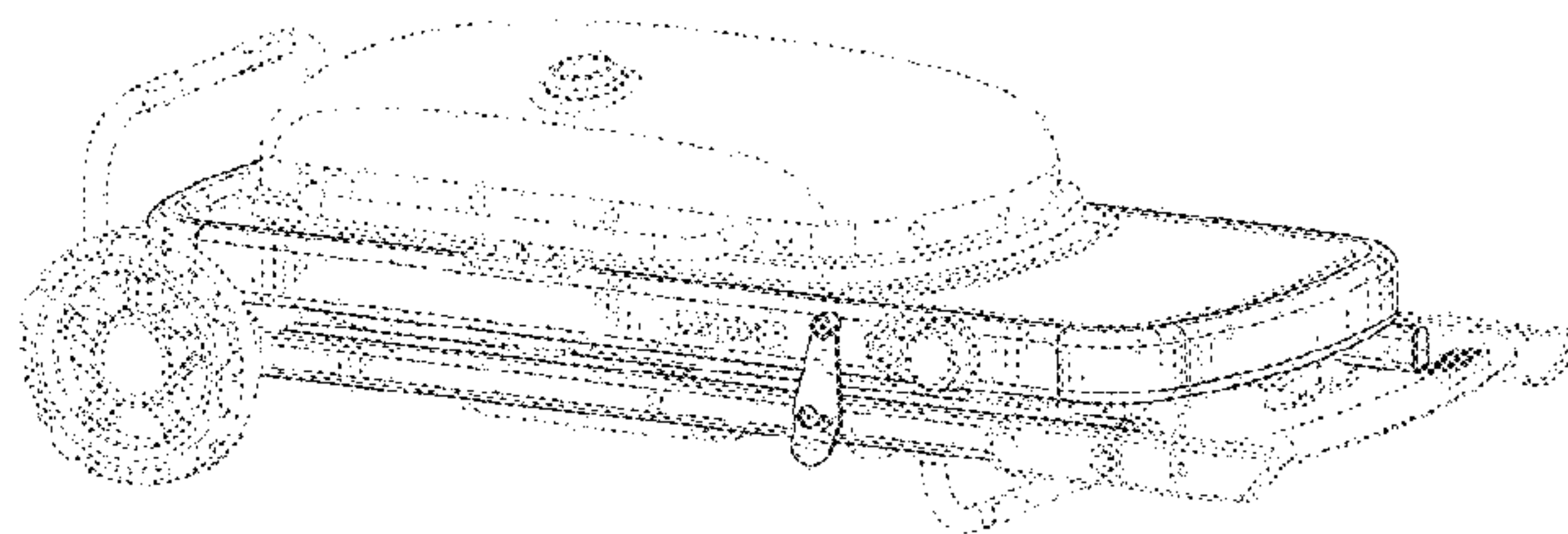
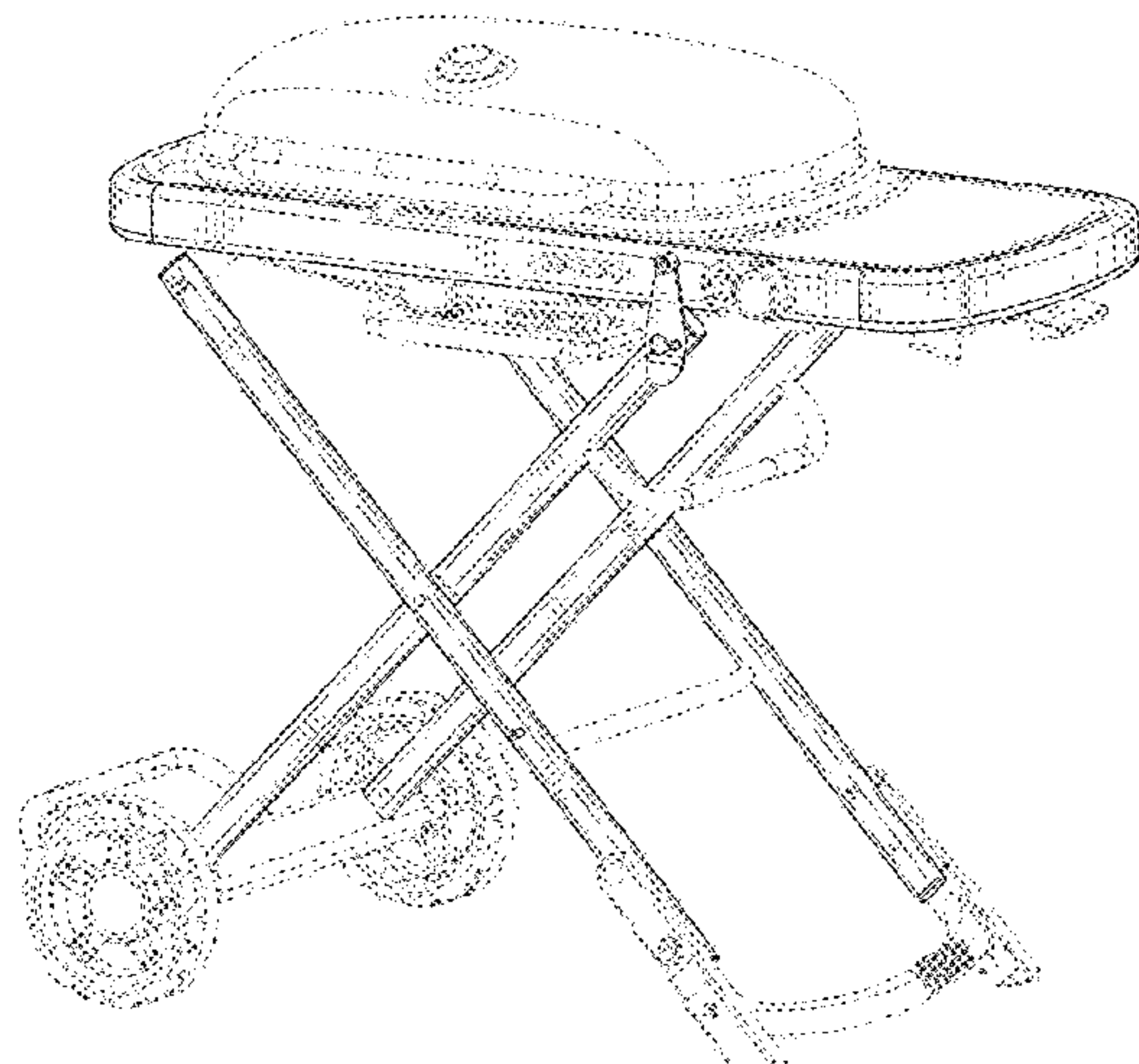
(57) **CLAIM**

The ornamental design for a portable grill, as shown and described.

DESCRIPTION

FIG. 1 is a perspective view of a portable grill, with the portable grill shown in an erected configuration. FIG. 2 is a front view of the portable grill of FIG. 1. FIG. 3 is a rear view of the portable grill of FIG. 1. FIG. 4 is a right side view of the portable grill of FIG. 1. FIG. 5 is a left side view of the portable grill of FIG. 1. FIG. 6 is a top view of the portable grill of FIG. 1. FIG. 7 is a bottom view of the portable grill of FIG. 1. FIG. 8 is a perspective view of the portable grill of FIG. 1, with the portable grill shown in a collapsed configuration. FIG. 9 is a front view of the portable grill of FIG. 8. FIG. 10 is a rear view of the portable grill of FIG. 8. FIG. 11 is a right side view of the portable grill of FIG. 8. FIG. 12 is a left side view of the portable grill of FIG. 8. FIG. 13 is a top view of the portable grill of FIG. 8; and, FIG. 14 is a bottom view of the portable grill of FIG. 8. The features shown in broken lines form no part of the claimed design. The lighter solid lines denote surfaces and contours. Line shading is not surface ornamentation.

1 Claim, 13 Drawing Sheets



Related U.S. Application Data

a continuation-in-part of application No. 29/740,624, filed on Jul. 6, 2020, now Pat. No. Des. 951,000.

(58) **Field of Classification Search**

USPC D7/387, 402, 403, 405, 408, 409; D8/315; D6/698, 702, 656
 CPC A47J 2202/00; A47J 27/00; A47J 36/00; A47J 36/26; A47J 37/00; A47J 37/04; A47J 37/0623; A47J 37/0647; A47J 37/07; A47J 37/0704; F24B 1/00; F24B 3/00; F24C 1/00; F24C 15/36; F24C 3/002; A47B 2003/025; A47B 2003/0821; A47B 2003/0824; A47B 3/02; A47B 3/08; A47B 3/087; A47B 3/091; A47B 37/04

See application file for complete search history.

(56) **References Cited**

U.S. PATENT DOCUMENTS

4,492,215 A 1/1985 DiGianvittorio
 5,560,582 A 10/1996 Beelen
 D404,963 S 2/1999 Schlosser et al.
 6,267,047 B1 7/2001 Mosher, II et al.
 6,302,097 B1 10/2001 Rivera
 D456,202 S 4/2002 McNair et al.
 6,422,230 B1 7/2002 Stewart et al.
 D461,360 S 8/2002 Bossler
 6,431,319 B1 8/2002 Myers et al.
 6,439,221 B1 8/2002 Ward et al.
 6,439,222 B1 8/2002 Dixon et al.
 D464,228 S 10/2002 Hsu
 D464,843 S 10/2002 Schulte et al.
 6,513,515 B1 2/2003 Wu
 D472,757 S * 4/2003 Schulte D7/334
 6,546,925 B1 4/2003 Wu
 6,684,877 B2 2/2004 Wu
 6,792,935 B2 9/2004 Williams et al.
 D498,388 S 11/2004 Long et al.
 6,863,063 B2 3/2005 Yeh
 6,886,836 B1 * 5/2005 Wise B25H 1/04
 280/30
 6,910,475 B2 6/2005 Zelek et al.
 6,913,458 B2 7/2005 Mosher, II et al.
 6,951,213 B2 10/2005 Coleman et al.
 7,055,847 B2 6/2006 Miller et al.
 D533,008 S 12/2006 Macri et al.
 D547,848 S 7/2007 Grady et al.
 7,255,355 B2 * 8/2007 Chisholm B25H 1/04
 248/439
 7,284,549 B1 10/2007 Eby et al.
 D562,619 S 2/2008 Henley et al.
 D562,628 S 2/2008 Henley et al.
 D621,200 S 8/2010 Gillespie et al.
 D636,628 S * 4/2011 Chung D7/334
 7,958,882 B1 6/2011 Sgourides
 D662,348 S 6/2012 Siow
 8,201,550 B2 6/2012 Malumyan
 8,316,837 B2 11/2012 Malumyan
 8,397,707 B2 3/2013 Montano et al.
 D680,365 S * 4/2013 Chung D7/334
 D680,366 S * 4/2013 Chung D7/334
 8,505,960 B1 8/2013 Shindelar et al.
 8,517,413 B2 * 8/2013 Chen B25H 1/04
 280/651
 8,540,316 B2 9/2013 Deml et al.
 D709,315 S 7/2014 Witzel et al.
 8,814,199 B2 8/2014 Shindelar et al.
 8,820,310 B1 9/2014 Plott
 D718,080 S 11/2014 Chung
 D719,394 S 12/2014 Inada
 8,915,238 B2 12/2014 Goeken
 D720,570 S 1/2015 Inada

D726,491 S * 4/2015 Witzel D7/334
 D737,096 S 8/2015 Lee et al.
 9,096,247 B2 8/2015 Witzel et al.
 9,187,108 B2 * 11/2015 Bruno B62B 1/22
 D747,910 S 1/2016 Costa et al.
 9,226,614 B2 1/2016 Lin
 9,351,608 B2 5/2016 Lin
 D770,223 S * 11/2016 Witzel D7/403
 9,505,421 B2 11/2016 Bruno et al.
 D786,004 S * 5/2017 Yang D7/334
 9,669,540 B2 * 6/2017 Chen A47B 3/0918
 D801,745 S 11/2017 Costa et al.
 D809,847 S * 2/2018 Liu D7/334
 9,915,432 B2 3/2018 Plott
 10,143,336 B2 * 12/2018 Liu A47J 37/0623
 D881,630 S * 4/2020 Lien D7/334
 D911,091 S * 2/2021 Chung D7/334
 D917,948 S 5/2021 Chung
 D920,044 S 5/2021 Chung
 11,033,149 B2 * 6/2021 Bartlett A47J 37/0763
 D925,264 S * 7/2021 Bennion D7/334
 D925,265 S * 7/2021 Bennion D7/334
 D949,604 S * 4/2022 Liu D6/656
 D951,000 S * 5/2022 Bennion D7/334
 D951,682 S * 5/2022 You D6/656
 D953,792 S * 6/2022 Bennion D7/334
 D961,984 S * 8/2022 Williams D7/334
 D971,661 S 12/2022 Bennion et al.
 D972,360 S 12/2022 Bennion et al.
 2004/0025859 A1 2/2004 Schulte
 2004/0118393 A1 6/2004 Schulte
 2005/0087182 A1 4/2005 Schulte
 2005/0252504 A1 11/2005 Cabrera et al.
 2009/0071415 A1 3/2009 Jehn
 2010/0326417 A1 * 12/2010 Groth A47J 37/0713
 126/25 R
 2011/0094493 A1 * 4/2011 Malumyan A47J 37/0763
 126/25 R
 2014/0265186 A1 * 9/2014 Witzel A47J 37/0713
 280/35
 2014/0265189 A1 9/2014 Witzel et al.
 2015/0075516 A1 3/2015 Inada et al.
 2015/0114383 A1 4/2015 Lin
 2015/0251678 A1 * 9/2015 Bruno A47J 37/0704
 280/645
 2016/0213198 A1 7/2016 Smith
 2016/0223130 A1 * 8/2016 Chen B62B 1/00
 2017/0035245 A1 * 2/2017 Smith A47J 37/0786
 2020/0268203 A1 * 8/2020 Bacot, Jr. B62B 1/008
 2021/0085126 A1 * 3/2021 Bartlett A47J 37/0763
 2021/0215342 A1 * 7/2021 Hunt A47J 37/0763
 2022/0087475 A1 3/2022 Terrell et al.

FOREIGN PATENT DOCUMENTS

CA 196797 * 3/2022
 CA 198397 * 4/2022
 CN 304564158 * 4/2018
 CN 306362537 * 3/2021
 CN 306709914 7/2021
 DE 202018103566 7/2018
 DE 202018106159 12/2018
 EM 002132548-0001 * 2/2013
 EM 008034086-0001 * 7/2020
 EP 1306043 5/2003
 EP 1309265 10/2006
 EP 2208633 7/2010
 EP 2420167 2/2012
 EP 002132548-0001 11/2012
 EP 2850981 3/2015
 GB 2415360 12/2007
 GB 9008034607-0001 * 7/2020
 JP D1586658 9/2017
 TW 464218 11/2001
 TW D179757 12/2016
 TW 209634-0001 * 1/2021
 TW 209635-0001 * 1/2021
 TW D209635 1/2021

(56)

References Cited

FOREIGN PATENT DOCUMENTS

TW	211761-0001	*	5/2021
TW	212127-0001	*	6/2021
WO	2008085534		7/2008
WO	2010151642		12/2010

OTHER PUBLICATIONS

Luggage BBQ [online] URL: https://www.alibaba.com/product-detail/2B-Luggage-BBQ-Gas-Stove-Portable_1600233213213.html (site visited: Dec. 28, 2021) (Year: 2021).*

Landmann, "42235 Pantera Portable Kit," Sep. 6, 2019, retrieved from [<https://landmann.com/us/manuals/42235-pantera-portable/>], 2 pages.

Landmann, "Pantera Portable Kit, Assembly Instructions," Edition 12/17LI, Version 42264, Dated 2018, 10 pages.

Cuisinart Outdoor Grilling Products, "Model: CGG-240 Roll-Away Portable LP Gas Grill Assembly and Operating Instructions," 9 pages.

Coleman, "Coleman Roadtrip 225 Portable Stand-Up Propane Grill," retrieved from [https://www.coleman.com/grills/coleman-roadtrip-225-portable-stand-up-propane-grill/Roadtrip225.html?dwvar_Roadtrip225_color=red&cgid=coleman] on Aug. 23, 2019, 5 pages.

Coleman, "Coleman Roadtrip 285 Portable Stand-Up Propane Grill," retrieved from [https://www.coleman.com/grills/coleman-roadtrip-285-portable-stand-up-propane-grill/Roadtrip285.html?dwvar_Roadtrip285_color=green&cgid=coleman] on Aug. 23, 2019, 8 pages.

Grillboss, "1-Burner Portable Folding LP Gas Gas Grill in Green with Push-Button Ignition," retrieved from [<https://www.homedepot.com/p/GrillBoss-1-Burner-Portable-Folding-LP-Gas-Gas-Grill-in-Green-with-Push-Button-Ignition-GTC1405G/305587162>] on Sep. 6, 2019, 4 pages.

Napoleon Grills, "TQ285X-1 instructions," retrieved from [www.napoleongrills.com] dated Nov. 9, 2018, 40 pages.

Coleman, "NXT™ 100 Grill," dated Aug. 23, 2019, retrieved from [<https://www.coleman.com/nxt-100-grill/2000012519.html?cgid=coleman-stovesandgrills-grills#start=12>], 3 pages.

Coleman, "NXT™ 200 Grill," dated Aug. 23, 2019, retrieved from [<https://www.coleman.com/nxt-200-grill/2000012520.html?cgid=coleman-stovesandgrills-grills#start=15>], 7 pages.

Coleman, "NXT™ Lite Standup Propane Grill," dated Aug. 23, 2019, retrieved from [<https://www.coleman.com/nxt-50-lite-standup-propane-grill/2000014018.html?cgid=coleman-stovesandgrills-grills#start=9>], 3 pages.

Coleman, "Roadtrip® LX Grill," dated Aug. 23, 2019, retrieved from [<https://www.coleman.com/roadtrip-lx-propane-grill/2000020966.html?cgid=coleman-stovesandgrills-grills#start=5>], 7 pages.

Coleman, "Roadtrip® LXE Grill," dated Aug. 23, 2019, retrieved from [<https://www.coleman.com/grills/roadtrip-lxe-grill/RoadTripLXE.html?cgid=coleman-stovesandgrills-grills#start=18>], 6 pages.

Coleman, "Roadtrip® X-Cursion™ Propane Grill," dated Aug. 23, 2019, retrieved from [<https://www.coleman.com/roadtrip-x-cursion-propane-grill/2000017461.html?cgid=coleman-stovesandgrills-grills#start=13>], 7 pages.

Coleman, "Sportster® Propane Grill," dated Aug. 23, 2019, retrieved from [<https://www.coleman.com/roadtrip-propane-grill/2000020947.html?cgid=coleman-stovesandgrills-grills#start=19>], 6 pages.

STÖK®, "Operator's Manual Electric Gridiron™ Grill STE1150Q," Jan. 22, 2014, 56 pages.

STÖK®, "Operator's Manual Electric Gridiron™ Grill STG1050," Dec. 20, 2013, 20 pages.

STÖK®, "Operator's Manual Electric Gridiron™ Grill STG1150HD," Sep. 21, 2015, 56 pages.

Napoleon Grills, "PRO285X instructions," retrieved from [www.napoleongrills.com] dated May 9, 2018, 40 pages.

IP Australia, "Certificate of Registration," issued in connection with Australian Design No. 202013674, dated Aug. 24, 2020, 9 pages.

IP Australia, "Certificate of Examination," issued in connection with Australian Design No. 202013674, dated Feb. 9, 2021, 2 pages.

European Union Intellectual Property Office, "Certificate of Registration No. 008034607-0001," dated Jul. 8, 2020, 5 pages.

Taiwan Intellectual Property Office, "Allowance Decision of Examination and Search Report," issued in connection with Taiwan Patent Application No. 109303697, dated Dec. 2, 2020, 4 pages.

IP Australia, "Certificate of Registration," issued in connection with Australian Design No. 202013675, dated Aug. 24, 2020, 8 pages.

IP Australia, "Certificate of Examination," issued in connection with Australian Design No. 202013675, dated Feb. 9, 2021, 2 pages.

European Union Intellectual Property Office, "Certificate of Registration No. 008034086-0001," dated Jul. 8, 2020, 4 pages.

Taiwan Intellectual Property Office, "Allowance Decision of Examination and Search Report," issued in connection with Taiwan Patent Application No. 109303696, dated Dec. 2, 2020, 5 pages.

IP Australia, "Certificate of Registration," issued in connection with Australian Design No. 202014607, dated Nov. 9, 2020, 16 pages.

European Union Intellectual Property Office, "Certificate of Registration No. 008167498-0001 and 0002," dated Sep. 11, 2020, 9 pages.

Taiwan Intellectual Property Office, "Allowance Decision of Examination and Search Report," issued in connection with Taiwan Patent Application No. 109305051, dated Feb. 9, 2021, 5 pages.

IP Australia, "Formalities notice No. 1—requirements for registration not met," issued in connection with Australian Patent Application No. 202015274, dated Nov. 23, 2020, 4 pages.

IP Australia, "Formalities notice No. 2—requirements for registration not met," issued in connection with Australian Patent Application No. 202015274, dated Dec. 14, 2020, 4 pages.

IP Australia, "Certificate of Registration," issued in connection with Australian Design No. 202015274, dated Dec. 18, 2020, 16 pages.

China National Intellectual Property Administration, "Notice of Decision of Grant of Patent Right," issued in connection with Chinese Patent Application No. 202030580598.2, dated Jan. 22, 2021, 4 pages.

China National Intellectual Property Administration, "Design Certificate," issued in connection with Chinese Patent No. ZL202030580598.2, dated Mar. 5, 2021, 3 pages.

European Union Intellectual Property Office, "Certificate of Registration No. 008188817-0001 and 0002," dated Sep. 29, 2020, 9 pages.

Taiwan Intellectual Property Office, "Allowance Decision of Examination and Search Report," issued in connection with Taiwan Patent Application No. 109305462, dated Mar. 5, 2021, 5 pages.

United States Patent and Trademark Office, "Notice of Allowance and Fee(s) Due," issued in connection with U.S. Appl. No. 29/720,246, dated Feb. 18, 2021, 8 pages.

United States Patent and Trademark Office, "Notice of Allowance and Fee(s) Due," issued in connection with U.S. Appl. No. 29/720,248, dated Feb. 22, 2021, 8 pages.

China National Intellectual Property Administration, "Design Registration No. 302214510," published on Dec. 5, 2012, 4 pages.

IP Australia, "Design examination report No. 1," issued in connection with Australian Patent Application No. 202014607, dated Apr. 20, 2021, 13 pages.

IP Australia, "Design examination report No. 1," issued in connection with Australian Patent Application No. 202015274, dated Apr. 20, 2021, 13 pages.

IP Australia, "Design examination report No. 2," issued in connection with Australian Patent Application No. 202014607, dated Aug. 25, 2021, 13 pages.

IP Australia, "Design examination report No. 2," issued in connection with Australian Patent Application No. 202015274, dated Aug. 24, 2021, 13 pages.

United States Patent and Trademark Office, "Notice of Allowance and Fee(s) Due," issued in connection with U.S. Appl. No. 29/720,246, dated Jun. 10, 2021, 7 pages.

Weber, "Weber Traveler Portable Gas Grill," retrieved on May 27, 2021 from [<http://www.weber.com/US/en/grills/portable-grills/weber-traveler/the-weber-traveler/9010001.html>], 7 pages.

(56)

References Cited

OTHER PUBLICATIONS

United States Patent and Trademark Office, "Notice of Allowance and Fee(s) Due," issued in connection with U.S. Appl. No. 29/720,248, dated Jun. 10, 2021, 7 pages.

Canadian Intellectual Property Office, "Examination Report," issued in connection with Canadian Patent Application No. 196797, dated Nov. 2, 2021, 3 pages.

Taiwan Intellectual Property Office, "Patent Certificate D209634," issued in connection with Taiwan Patent Application No. 109303696, dated Jan. 21, 2021, 2 pages.

Taiwan Intellectual Property Office, "Patent Certificate D211761," issued in connection with Taiwan Patent Application No. 109305051, dated May 21, 2021, 2 pages.

Taiwan Intellectual Property Office, "Patent Certificate D212127," issued in connection with Taiwan Patent Application No. 109305462, dated Jun. 11, 2021, 2 pages.

Mototeks, Inc., "Portable BBQ Grill Propan Matchless Lighting Foldable CART for Camping Outdoor," retrieved from [<https://www.amazon.com/Mototeks-Inc-Portable-Matchless-Lighting/dp/B07Q2J3PDK/>] on Dec. 28, 2021, 7 pages.

Alibaba.com, "2B Luggage BBQ Gas Stove Portable Gas Grill with Foldable Trolley Cart and Scalable Side Shelves," retrieved from [https://www.alibaba.com/product-detail/2B-Luggage-BBQ-Gas-Stove-Portable_1600233213213.html] on Dec. 28, 2021, 8 pages.

United States Patent and Trademark Office, "Ex Parte Quayle Action," issued in connection with U.S. Appl. No. 29/740,624, dated Jan. 5, 2022, 8 pages.

United States Patent and Trademark Office, "Non-Final Office Action," issued in connection with U.S. Appl. No. 29/751,212, dated Jan. 4, 2022, 11 pages.

United States Patent and Trademark Office, "Notice of Allowance and Fee(s) Due," issued in connection with U.S. Appl. No. 29/740,624, dated Feb. 18, 2022, 8 pages.

Canadian Intellectual Property Office, "Notice of Registration," issued in connection with Canadian Patent Application No. 196796, dated Feb. 24, 2022, 11 pages.

Canadian Intellectual Property Office, "Notice of Registration," issued in connection with Canadian Patent Application No. 196797, dated Mar. 2, 2022, 10 pages.

Canadian Intellectual Property Office, "Notice of Registration," issued in connection with Canadian Patent Application No. 198063, dated Feb. 24, 2022, 17 pages.

Canadian Intellectual Property Office, "Notice of Registration," issued in connection with Canadian Patent Application No. 198397, dated Apr. 1, 2022, 17 pages.

United States Patent and Trademark Office, "Notice of Allowance and Fee(s) Due," issued in connection with U.S. Appl. No. 29/751,212, dated Mar. 1, 2022, 11 pages.

United States Patent and Trademark Office, "Ex Parte Quayle Action," issued in connection with U.S. Appl. No. 29/779,642, dated May 26, 2022, 6 pages.

United States Patent and Trademark Office, "Ex Parte Quayle Action," issued in connection with U.S. Appl. No. 29/779,649, dated May 26, 2022, 6 pages.

United States Patent and Trademark Office, "Notice of Allowance," issued in connection with U.S. Appl. No. 29/779,649, dated Aug. 19, 2022, 7 pages.

United States Patent and Trademark Office, "Notice of Allowance," issued in connection with U.S. Appl. No. 29/779,642, dated Aug. 25, 2022, 7 pages.

United States Patent and Trademark Office, "Corrected Notice of Allowability," issued in connection with U.S. Appl. No. 29/779,649, dated Nov. 8, 2022, 4 pages.

United States Patent and Trademark Office, "Corrected Notice of Allowability," issued in connection with U.S. Appl. No. 29/779,642, dated Nov. 8, 2022, 4 pages.

* cited by examiner

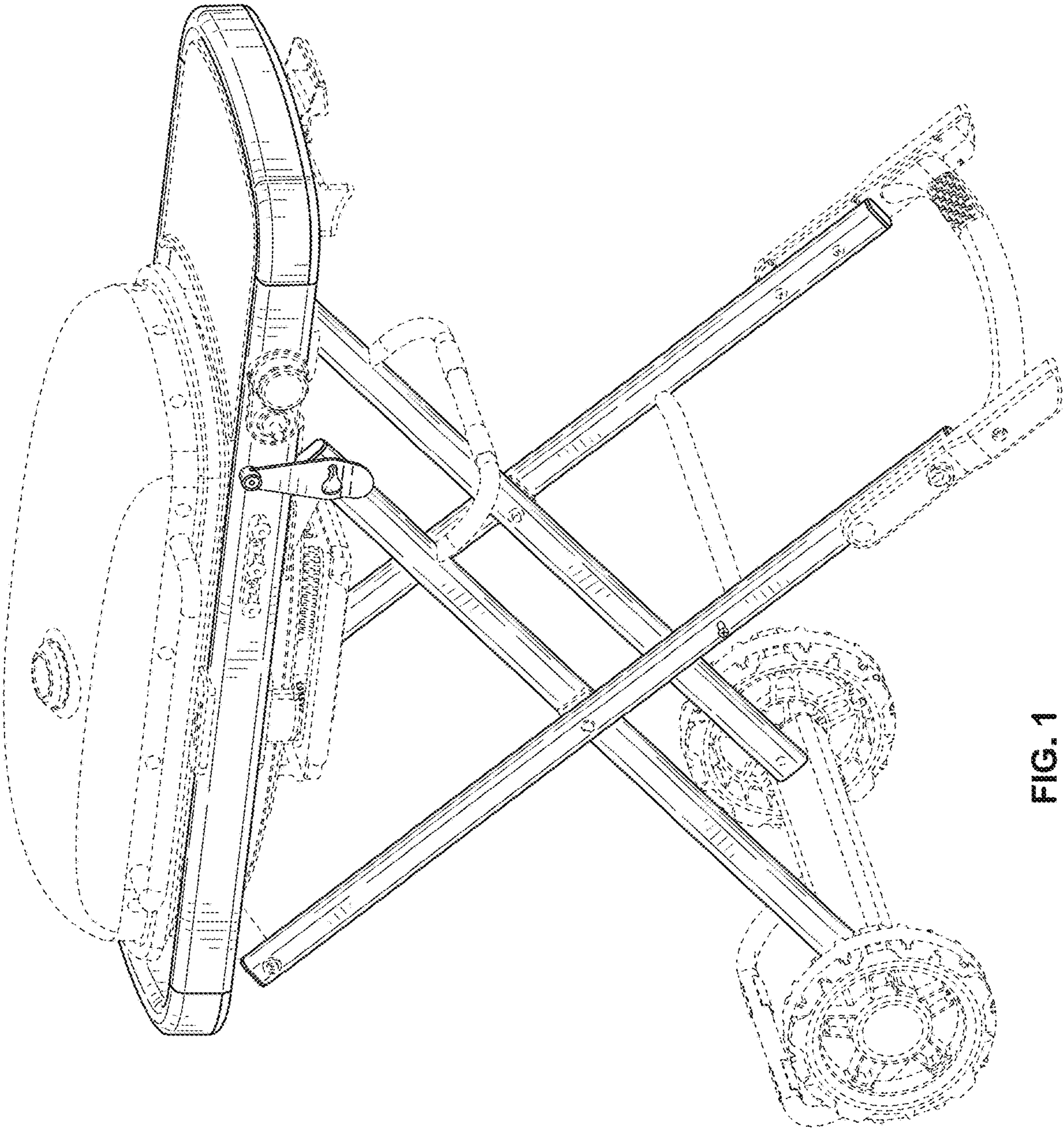


FIG. 1

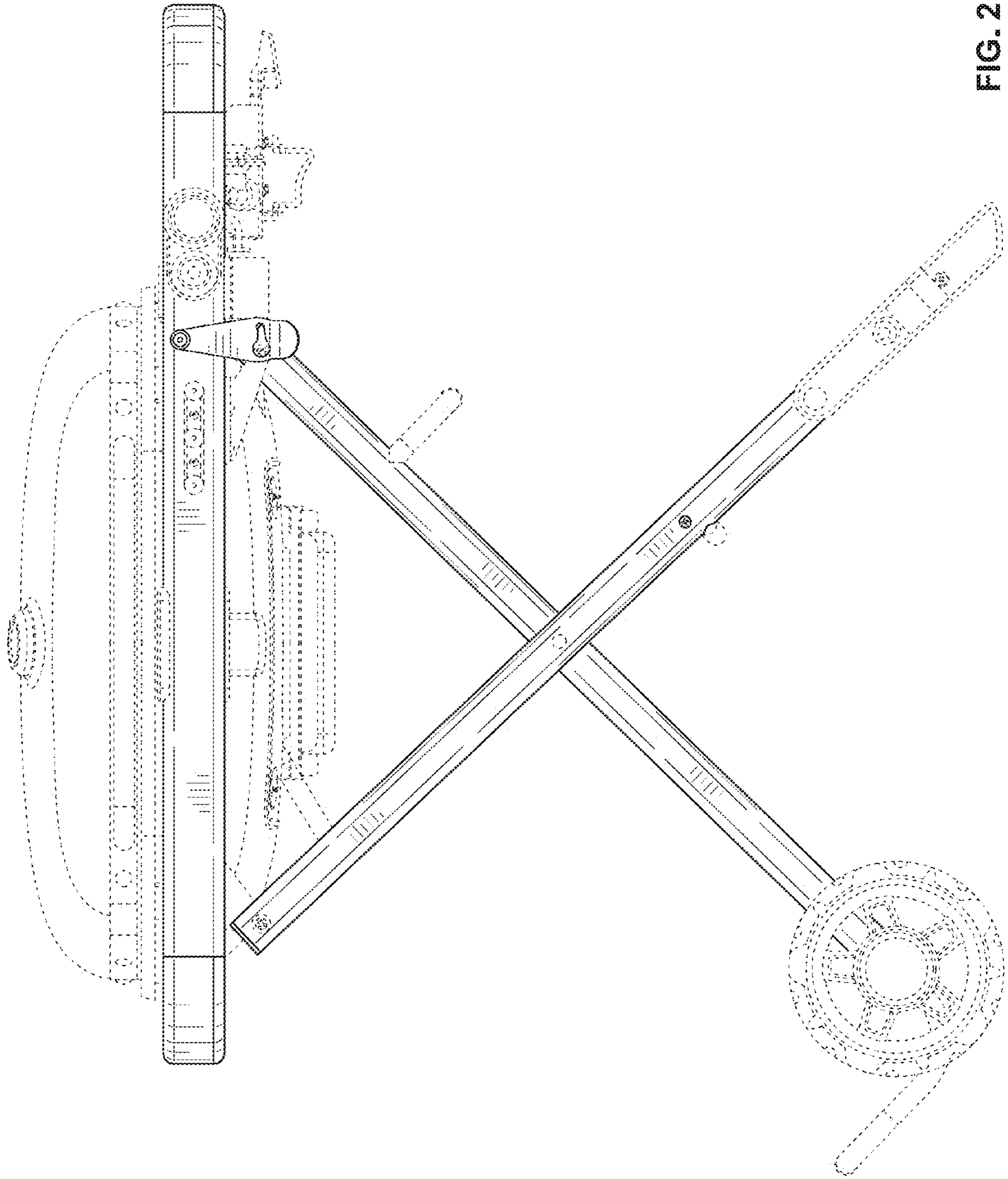


FIG. 2

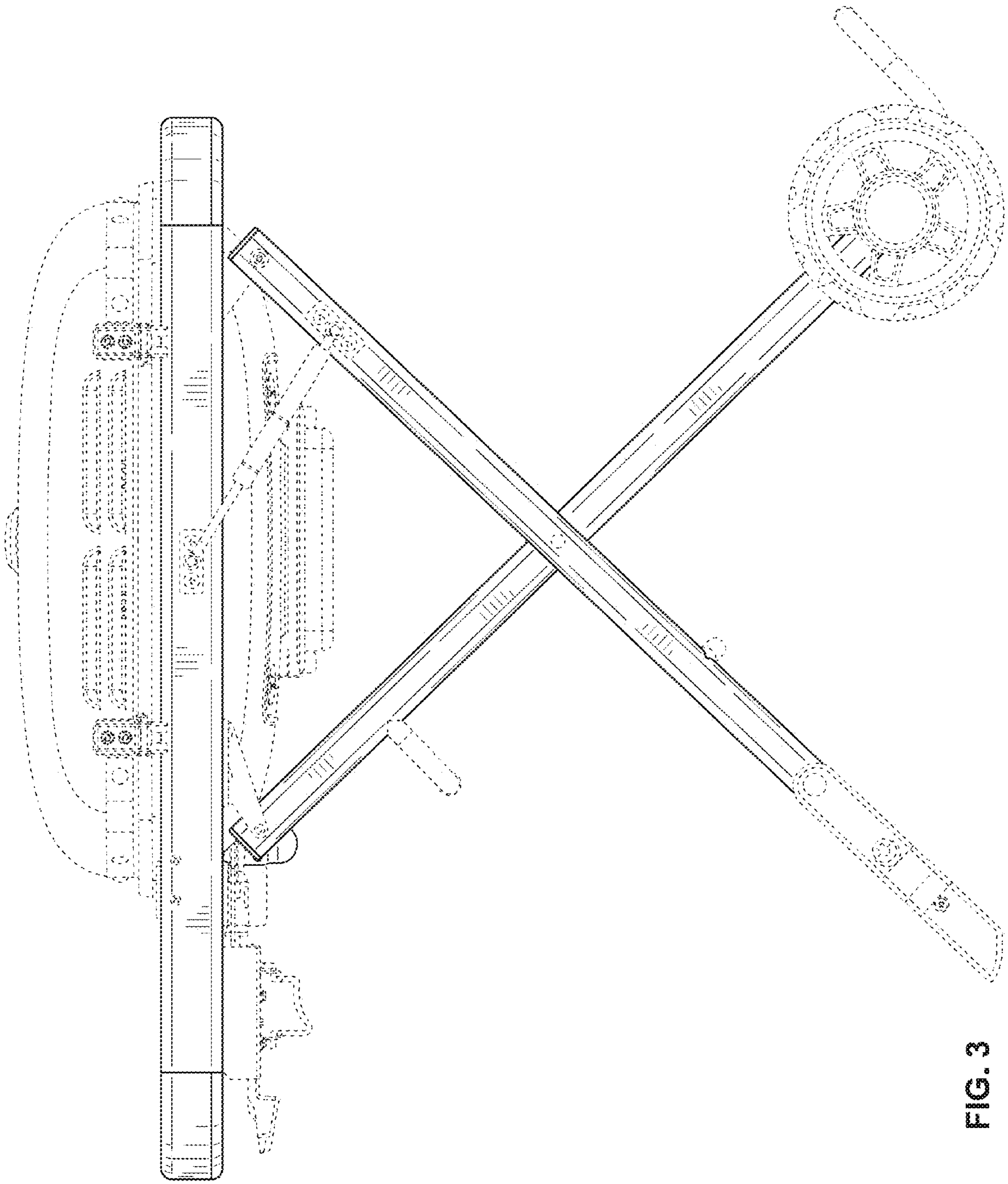


FIG. 3

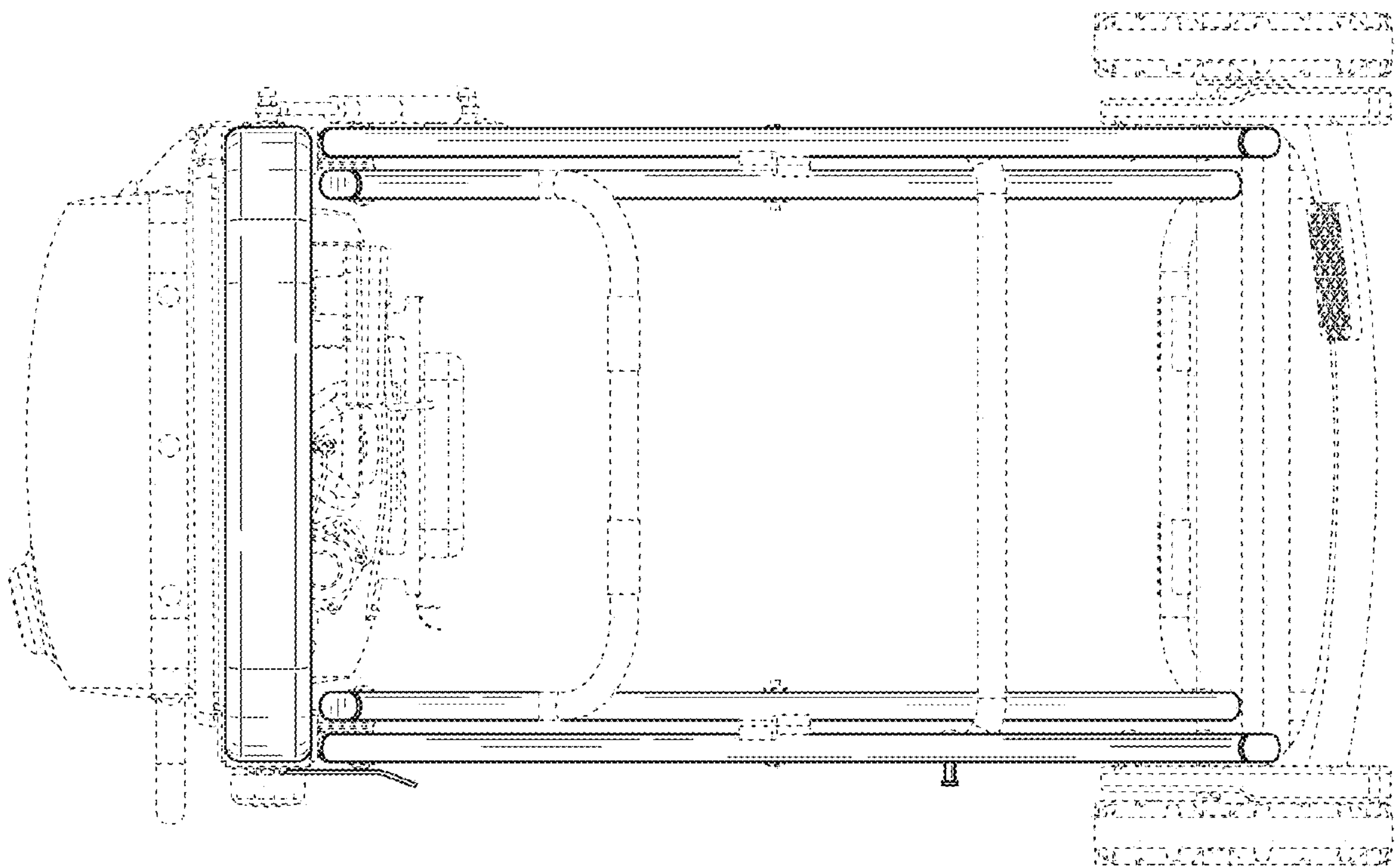


FIG. 4

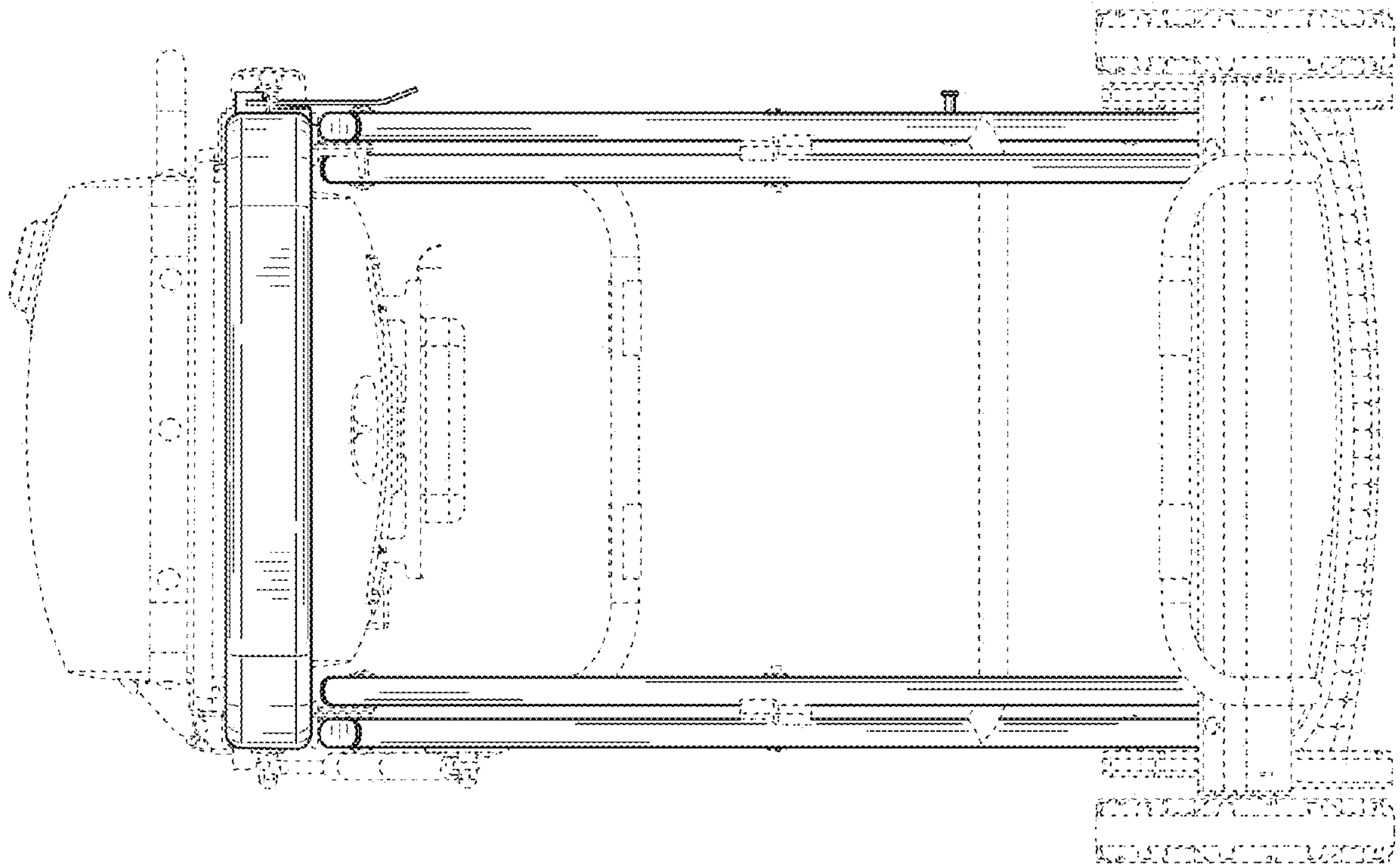


FIG. 5

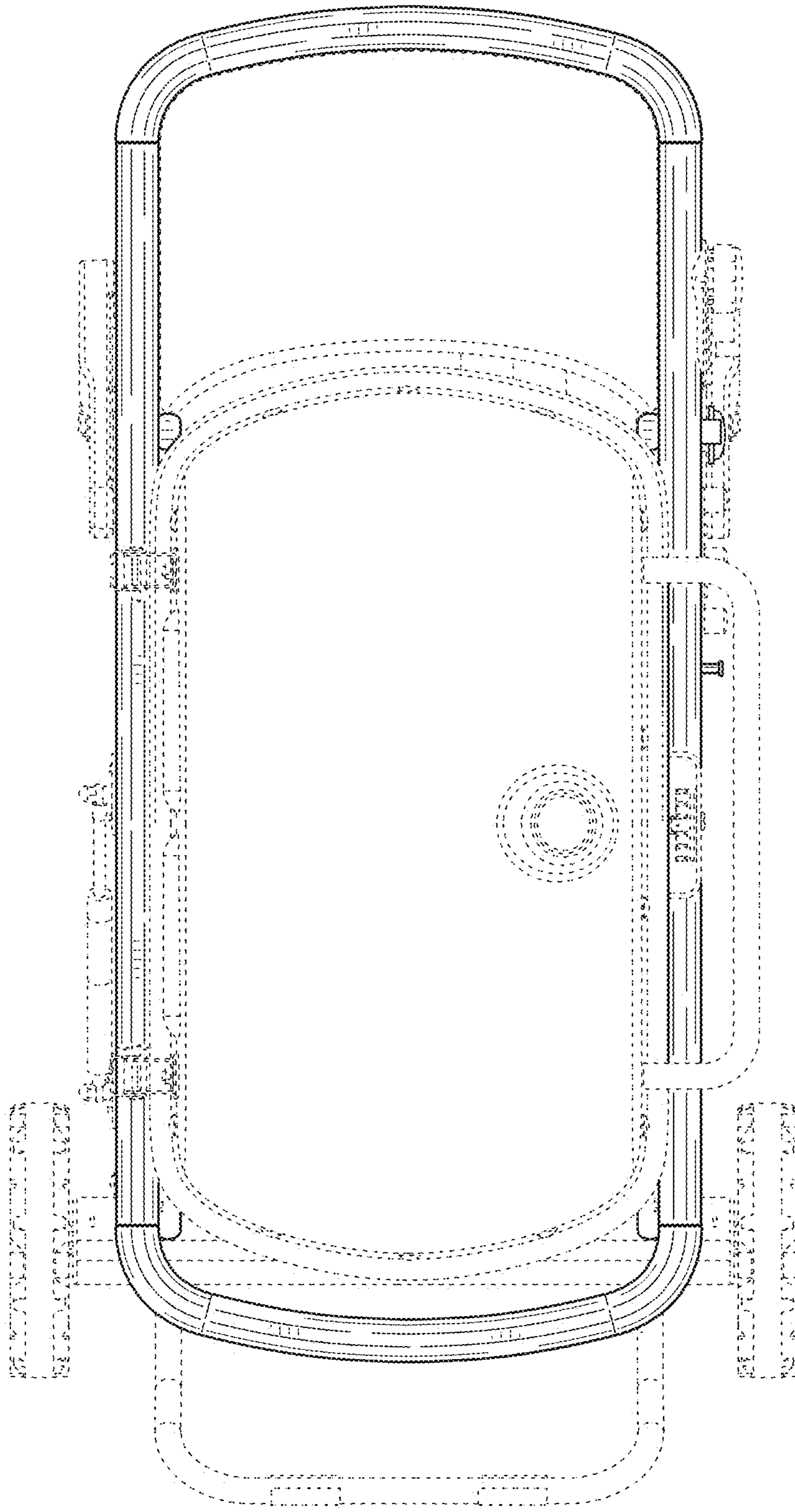


FIG. 6

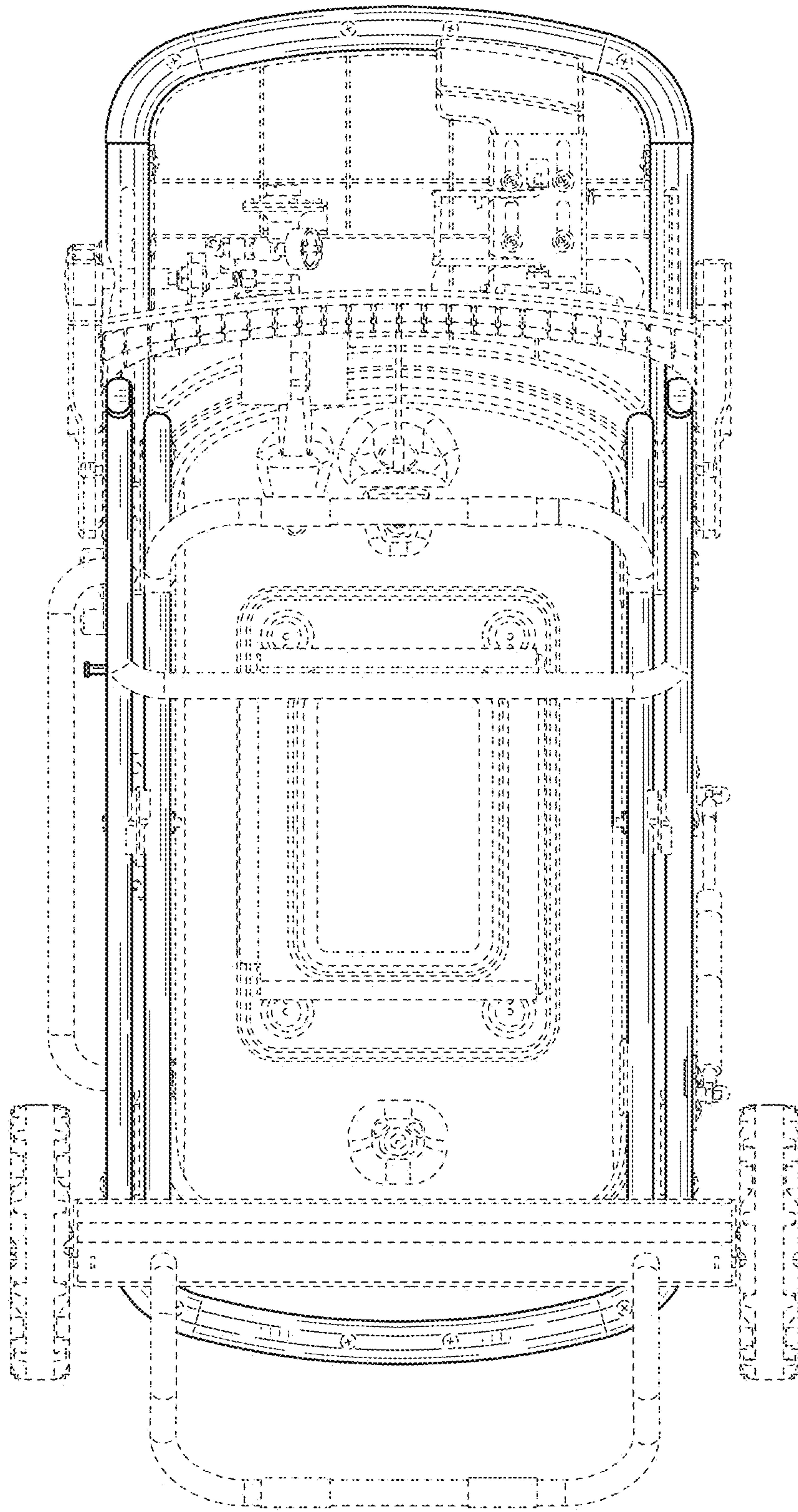


FIG. 7

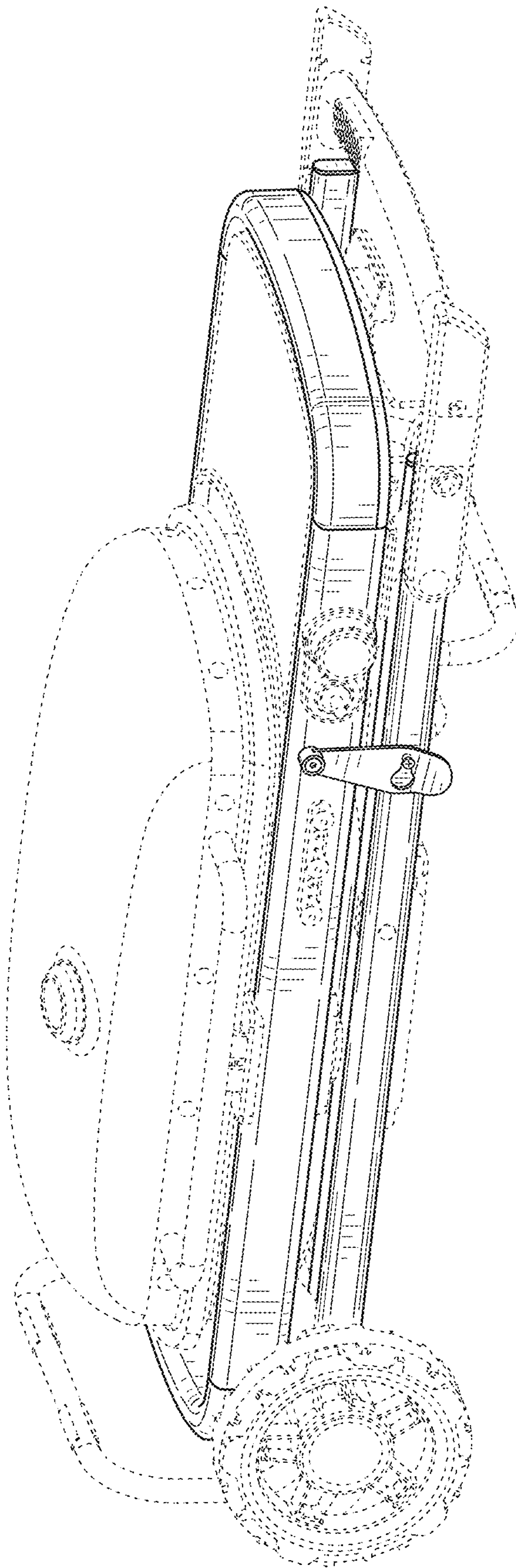


FIG. 8

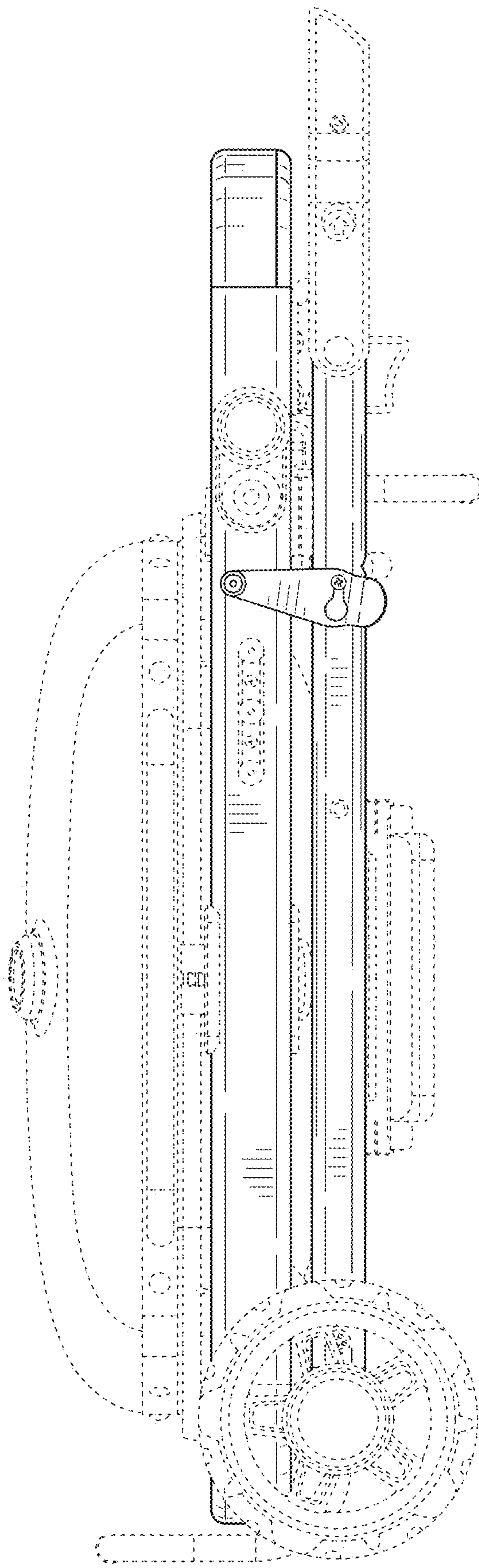


FIG. 9

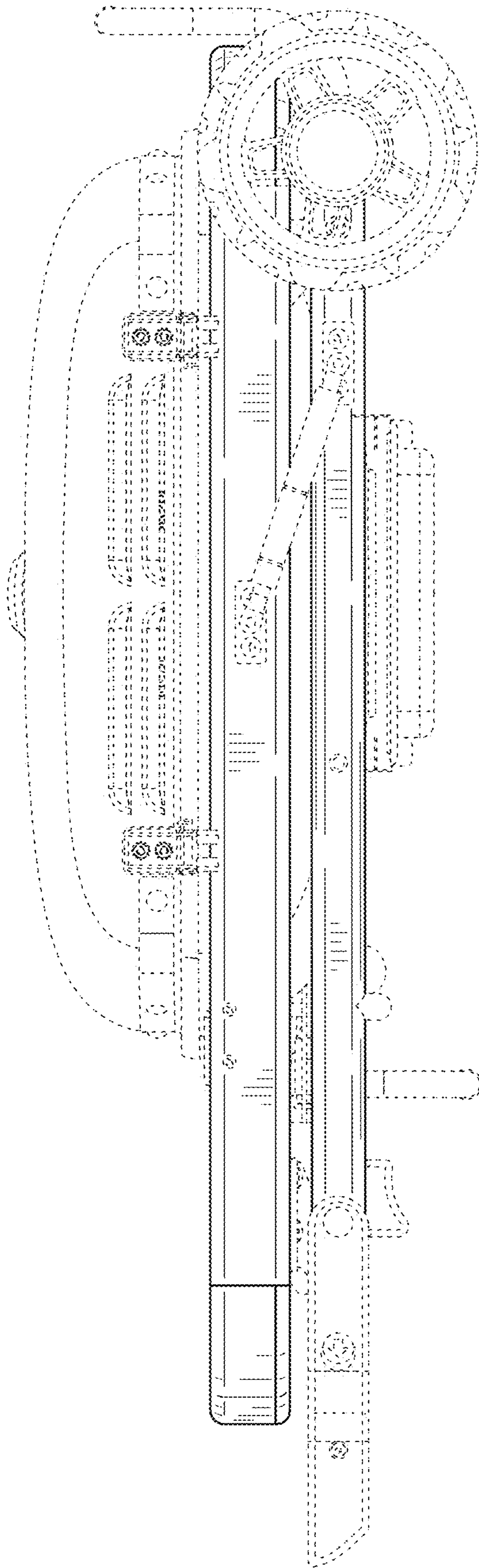


FIG. 10

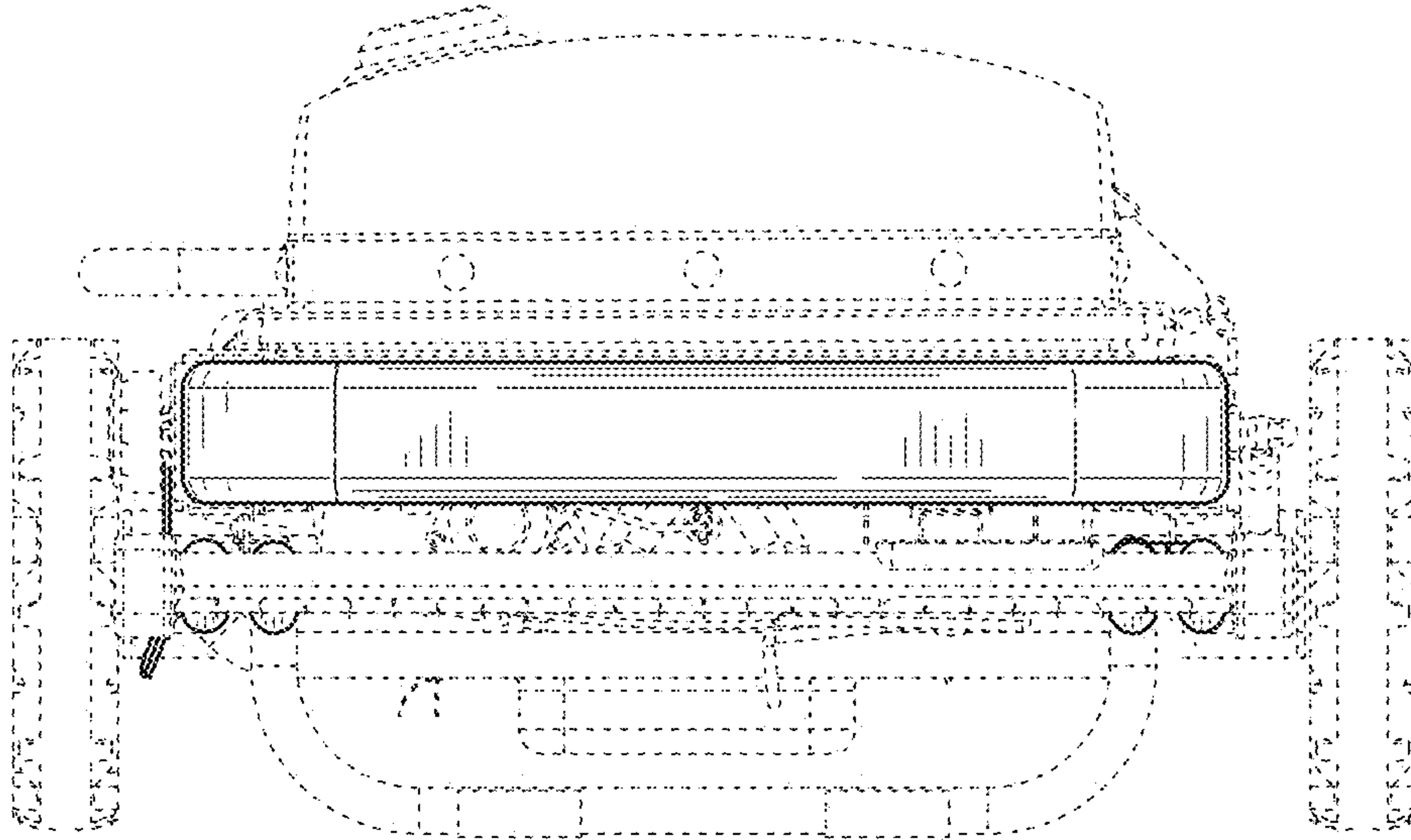


FIG. 11

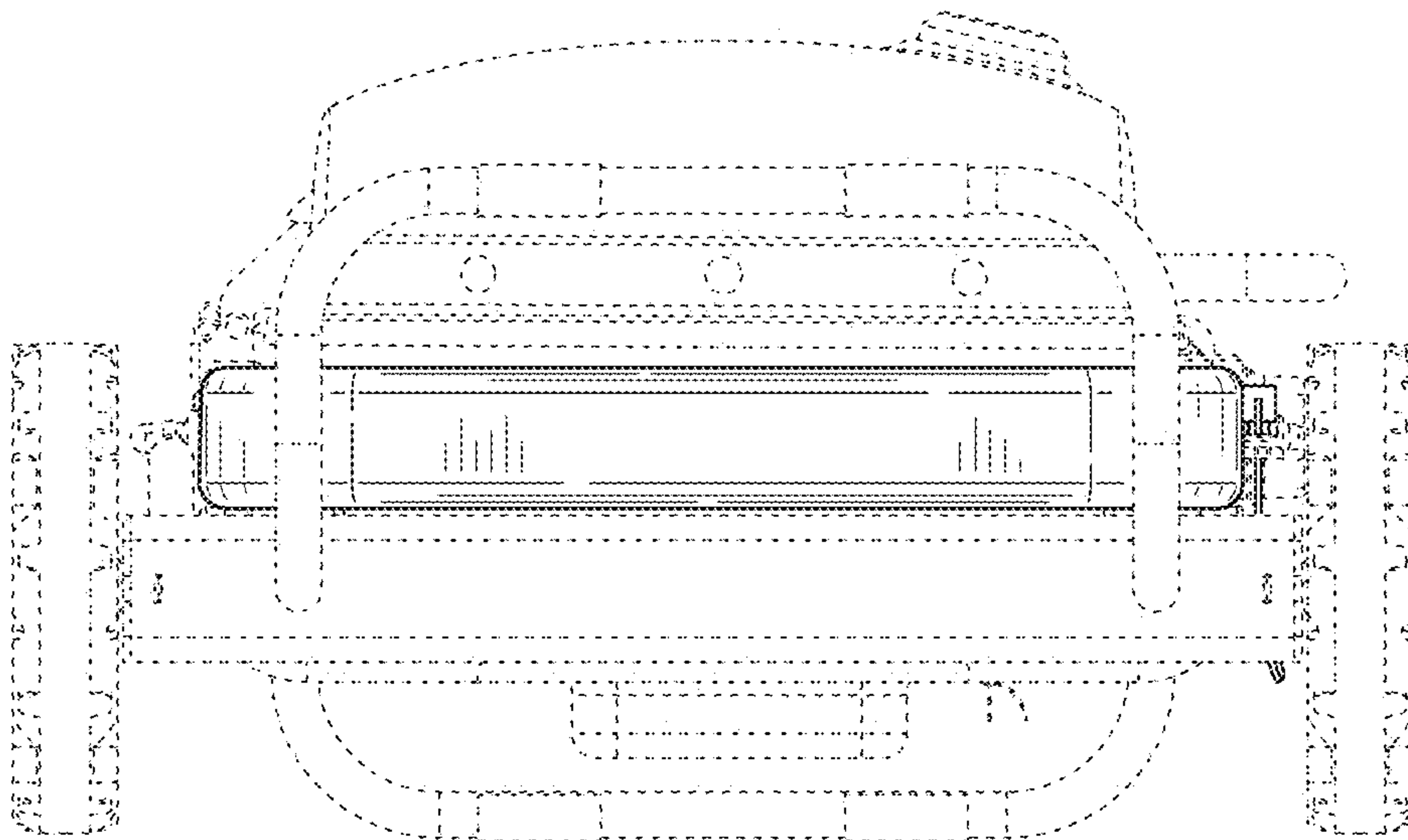


FIG. 12

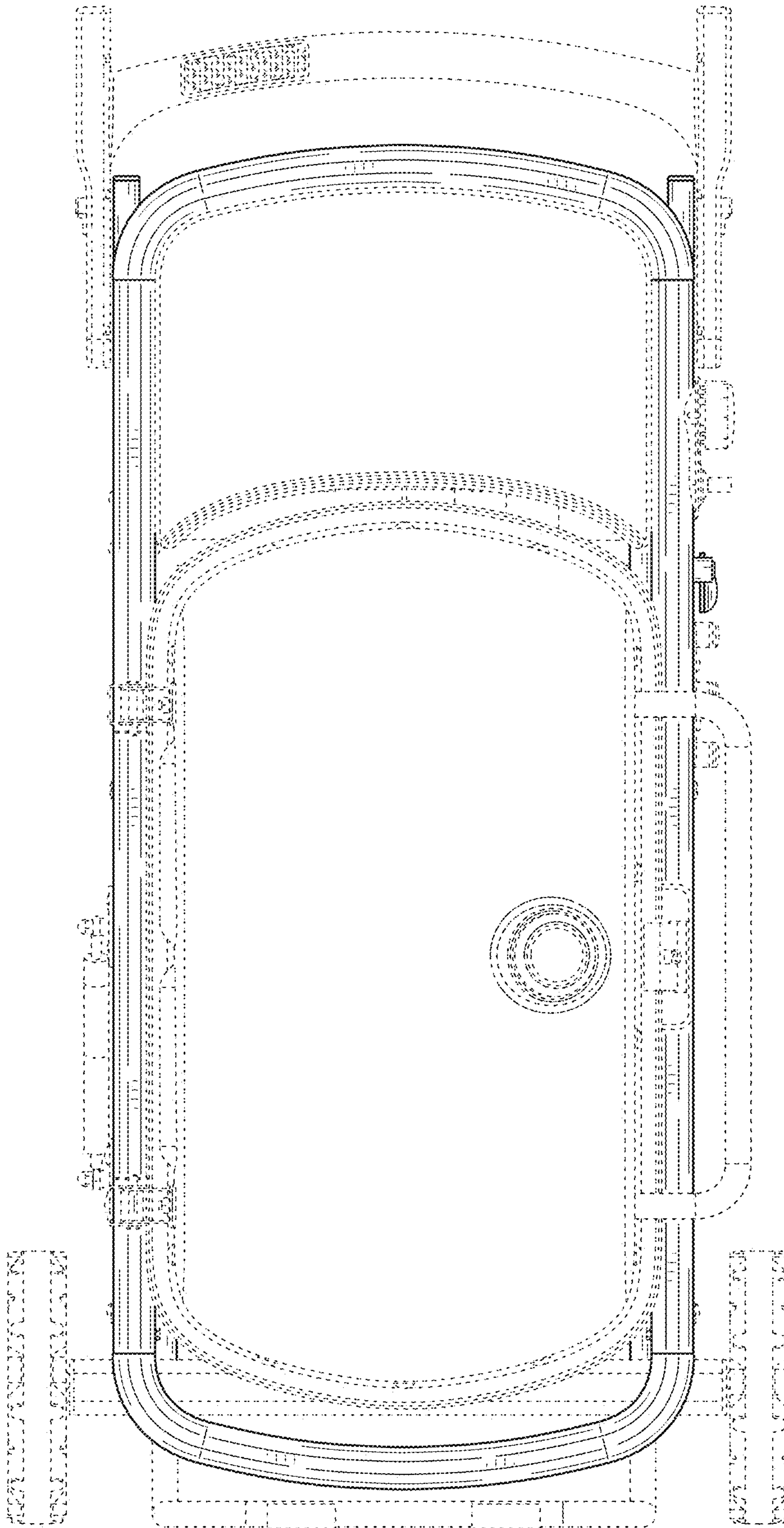


FIG. 13

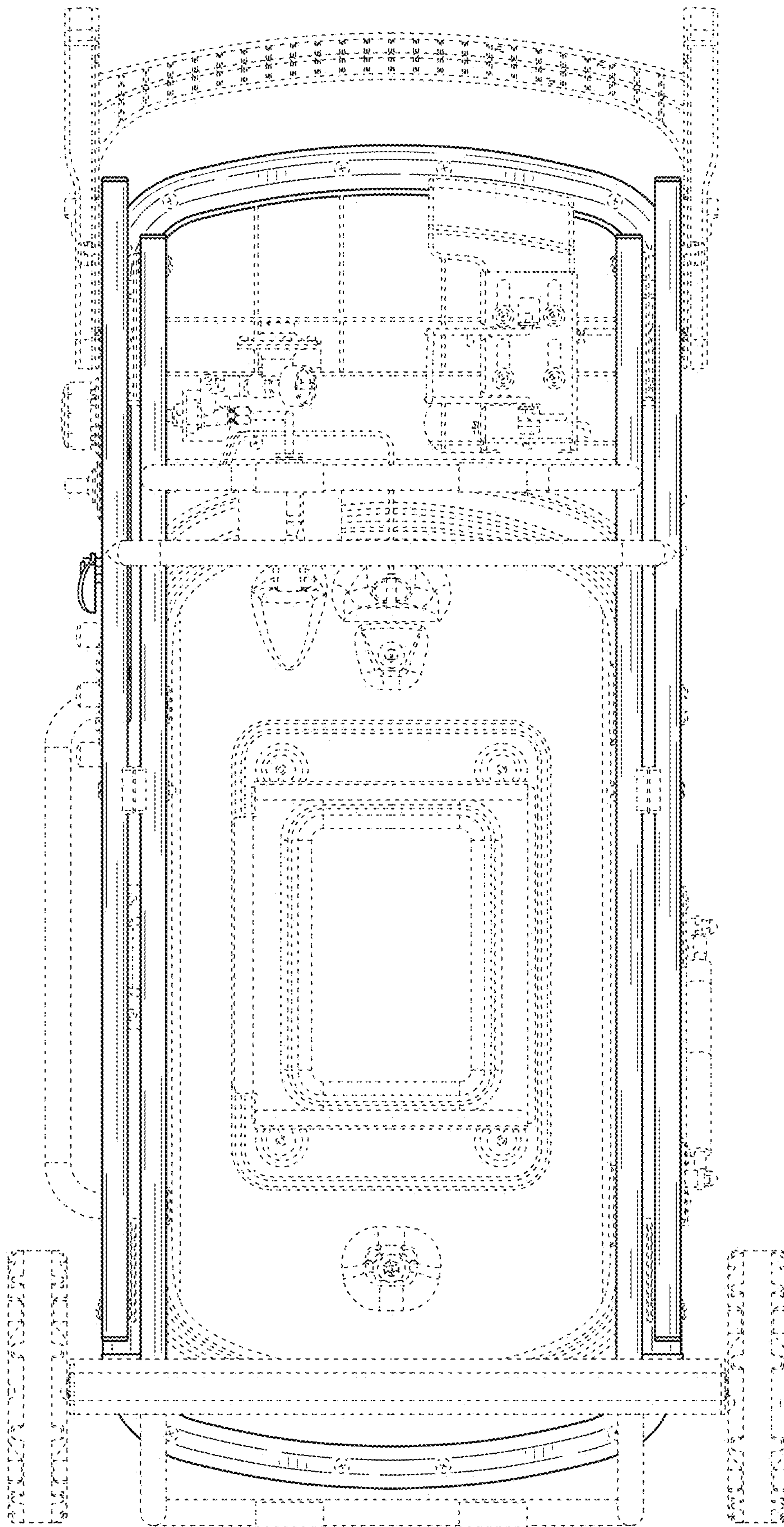


FIG. 14