



US00D979316S

(12) **United States Design Patent** (10) **Patent No.:** **US D979,316 S**
Nie (45) **Date of Patent:** **** Feb. 28, 2023**

(54) **TOASTER**

(71) Applicant: **JIANGMEN CITY XINHUI HENGLONG INNOVATIVE HOUSEWARES CO., LTD.**, Jiangmen (CN)

(72) Inventor: **Huayao Nie**, Jiangmen (CN)

(73) Assignee: **JIANGMEN CITY XINHUI HENGLONG INNOVATIVE HOUSEWARES CO., LTD.**, Jiangmen (CN)

(**) Term: **15 Years**

(21) Appl. No.: **29/799,826**

(22) Filed: **Jul. 16, 2021**

(30) **Foreign Application Priority Data**

Jun. 15, 2021 (CN) 202130368050.6

(51) **LOC (14) Cl.** **07-02**

(52) **U.S. Cl.**
USPC **D7/330**

(58) **Field of Classification Search**
USPC D7/323, 328-330, 338, 350.1, 390; D21/542
CPC . A21B 2/00; A47J 37/00; A47J 37/043; A47J 37/047; A47J 37/06; A47J 37/0611; A47J 37/0629; A47J 37/0641; A47J 37/0704; A47J 37/0745; A47J 37/08; A47J 37/0807; A47J 37/0814; A47J 37/0835; A47J 37/0842; A47J 37/085; A47J 37/0857; A47J 37/0864; A47J 37/0878; A47J 37/0885; A47J 37/0892; F24C 15/10; F24C 15/102

See application file for complete search history.

(56) **References Cited**

U.S. PATENT DOCUMENTS

D265,714 S *	8/1982	Schmidli	D7/329
D266,137 S *	9/1982	Schmidli	D7/329
D300,710 S *	4/1989	Williams	D7/330
D475,236 S *	6/2003	Lai	D7/350.1
D486,533 S *	2/2004	Morris	D21/542
D547,107 S *	7/2007	Lam	D7/330
D617,602 S *	6/2010	Reiner	D7/330
D693,620 S *	11/2013	Hu	D7/329
2003/0196559 A1 *	10/2003	Friel, Sr.	A47J 37/0857 99/385

OTHER PUBLICATIONS

MKLPO Toaster Home Small Breakfast Machine Multi-functional. Date First Available on Amazon.com Mar. 12, 2021. <https://www.amazon.com/dp/B08YRVG5T6/ref> (Year: 2021).*

* cited by examiner

Primary Examiner — Ricky Pham

(74) *Attorney, Agent, or Firm* — Whiteford, Taylor & Preston, LLP; Peter J. Davis

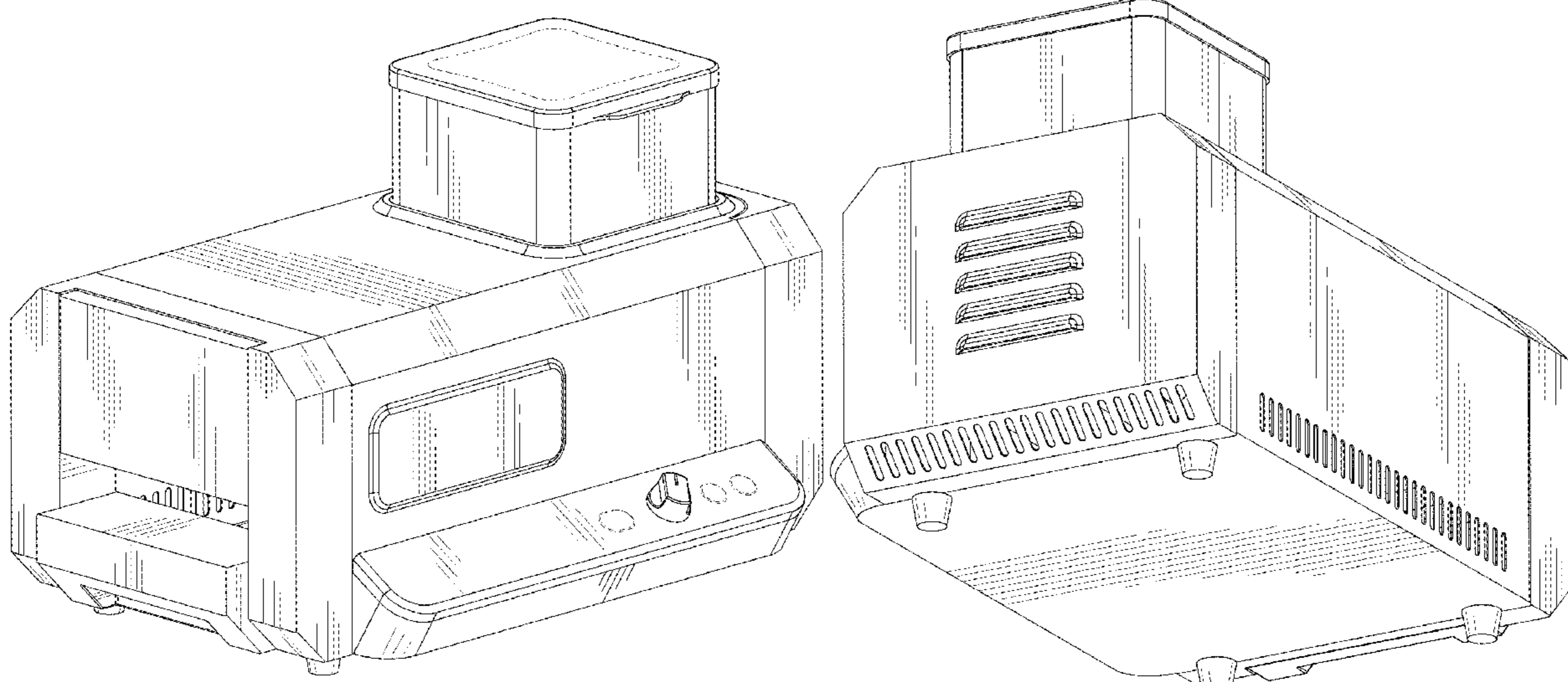
(57) **CLAIM**

The ornamental design for a toaster, as shown and described.

DESCRIPTION

FIG. 1 is a front perspective view of a toaster of the present disclosure;
FIG. 2 is a rear perspective view thereof;
FIG. 3 is a front elevational view thereof;
FIG. 4 is a rear elevational view thereof;
FIG. 5 is a left-side elevational thereof;
FIG. 6 is a right-side elevational thereof;
FIG. 7 is a top plan view thereof; and,
FIG. 8 is a bottom plan view thereof.
The broken lines shown in the drawings represent portions of the toaster and form no part of the claimed design.

1 Claim, 8 Drawing Sheets



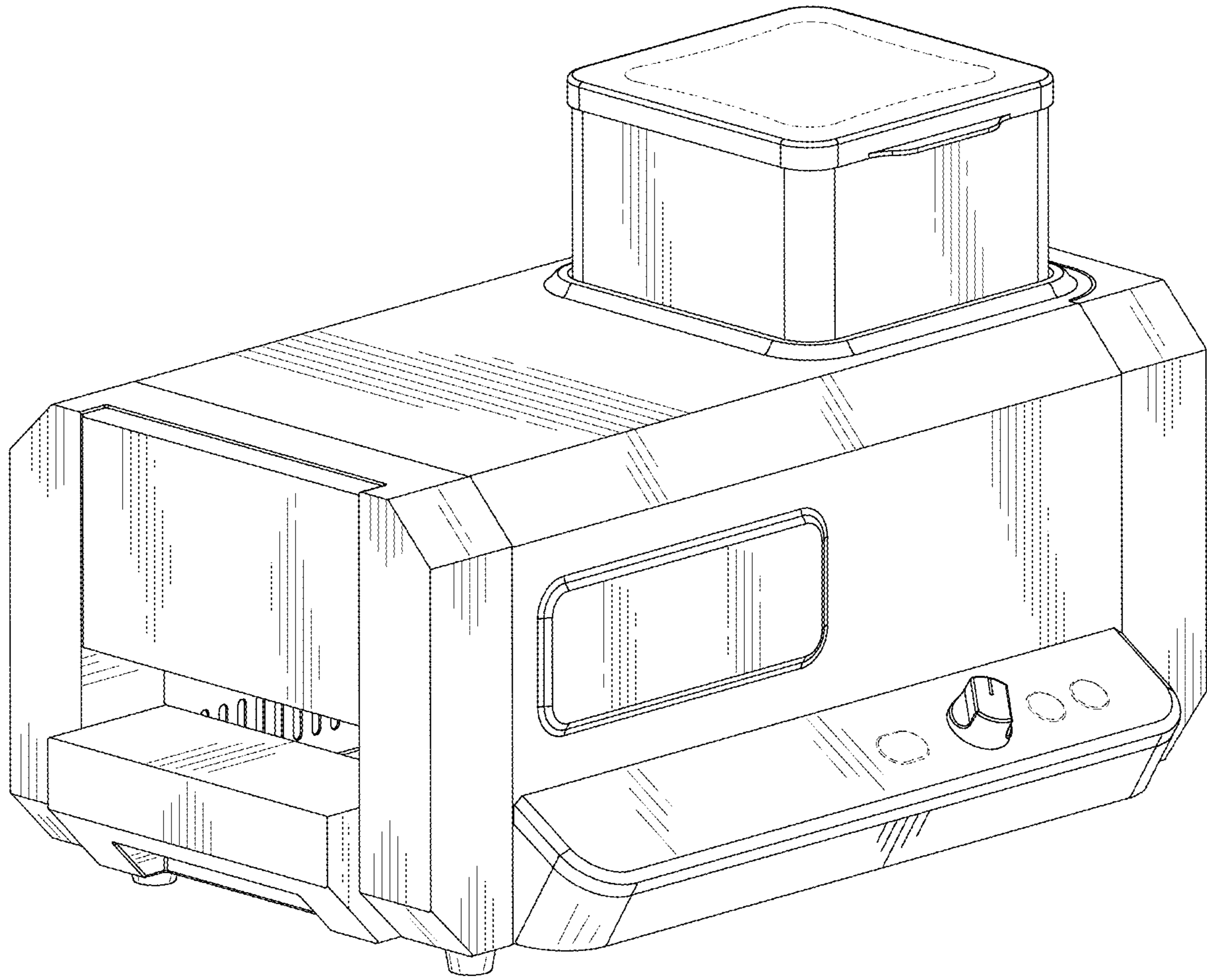


FIG. 1

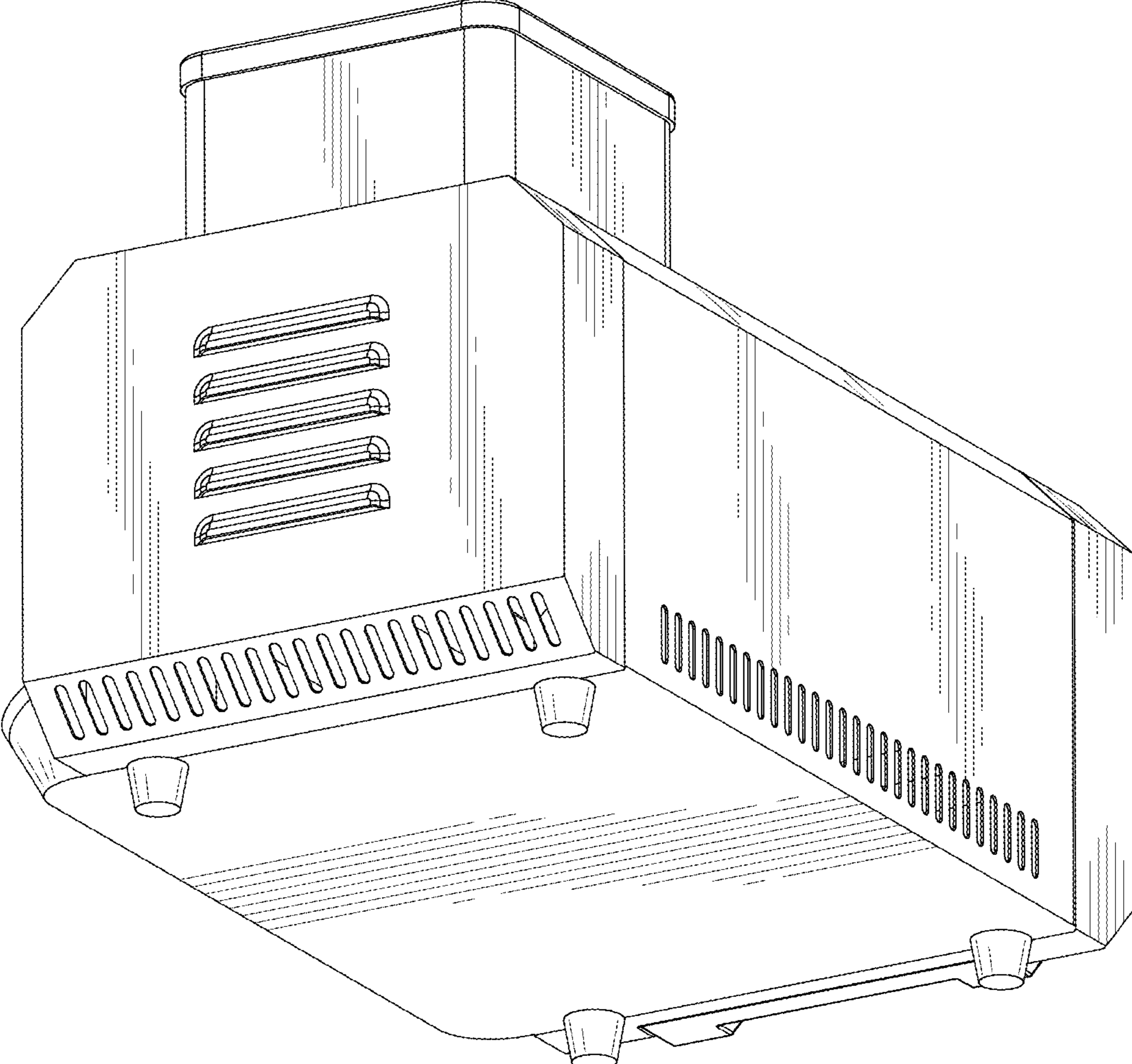


FIG. 2

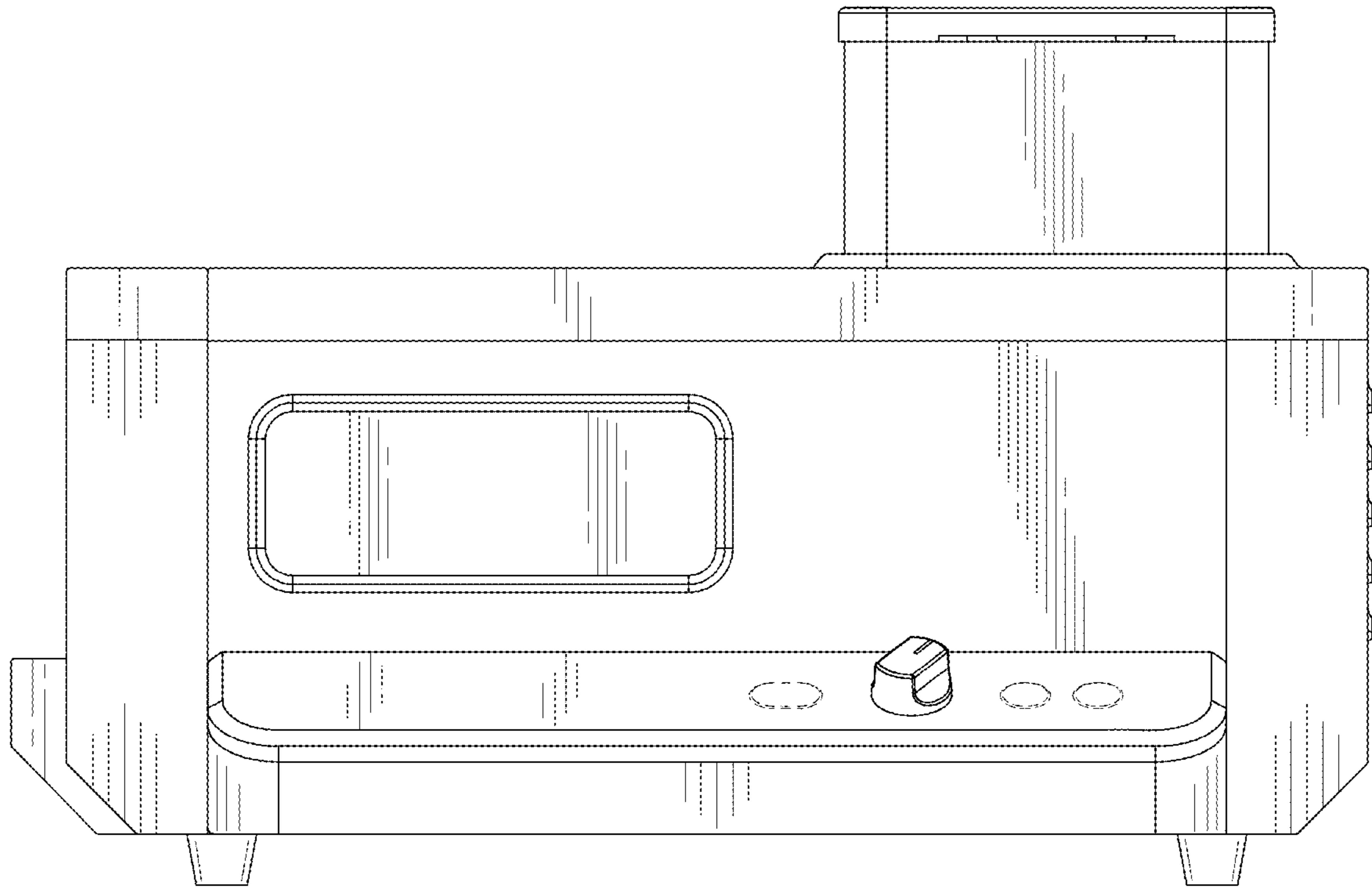


FIG. 3

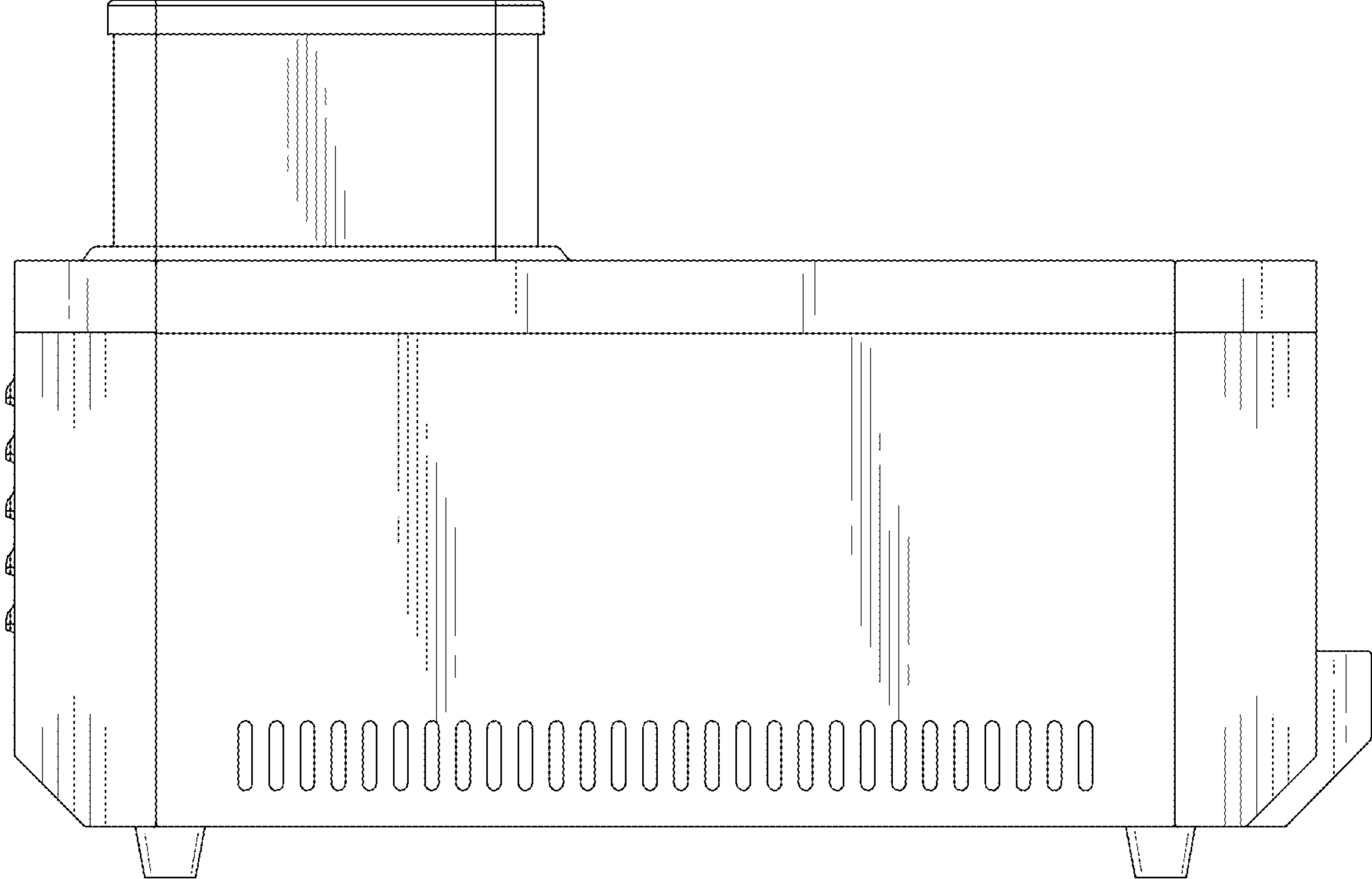


FIG. 4

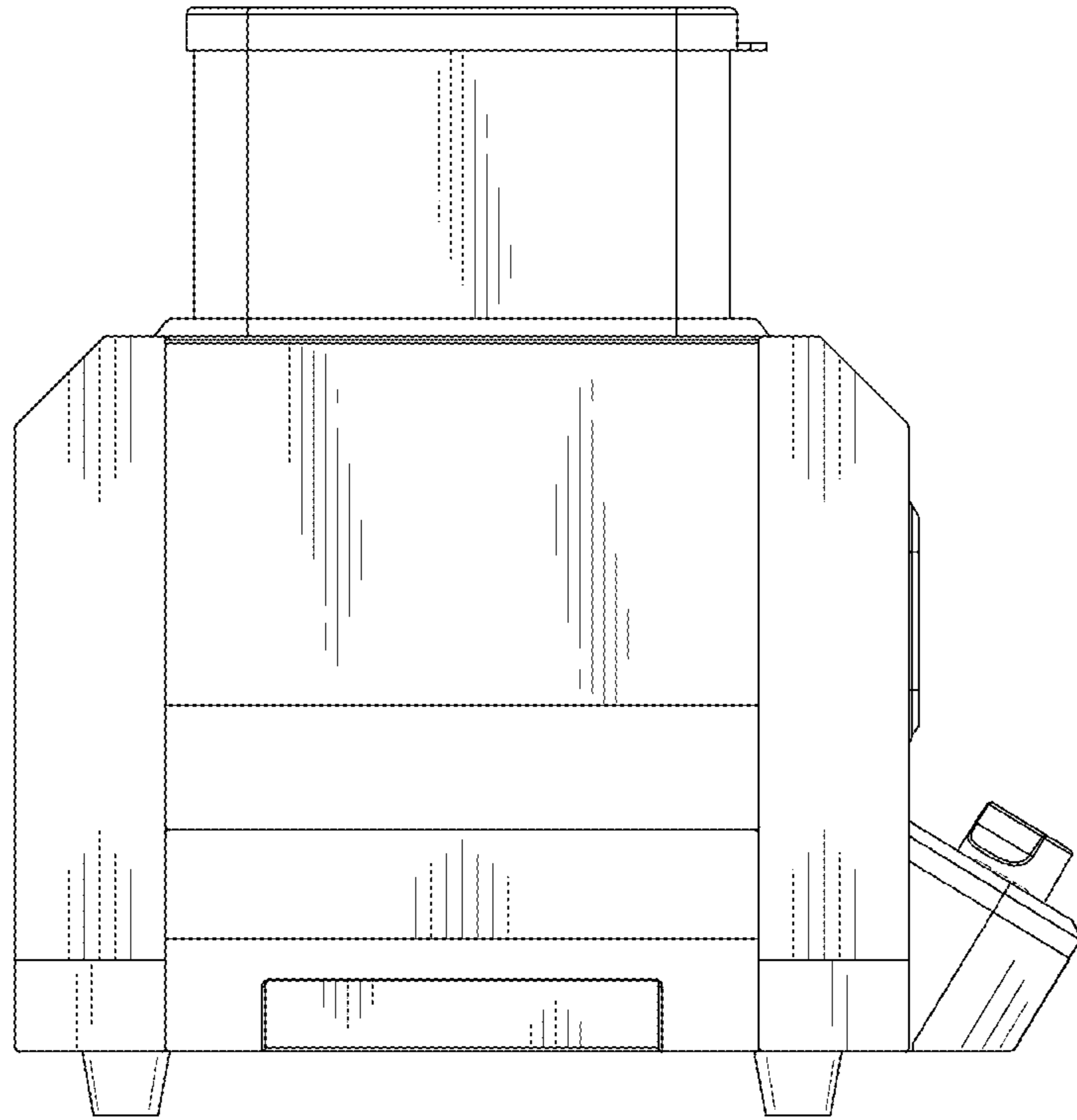


FIG. 5

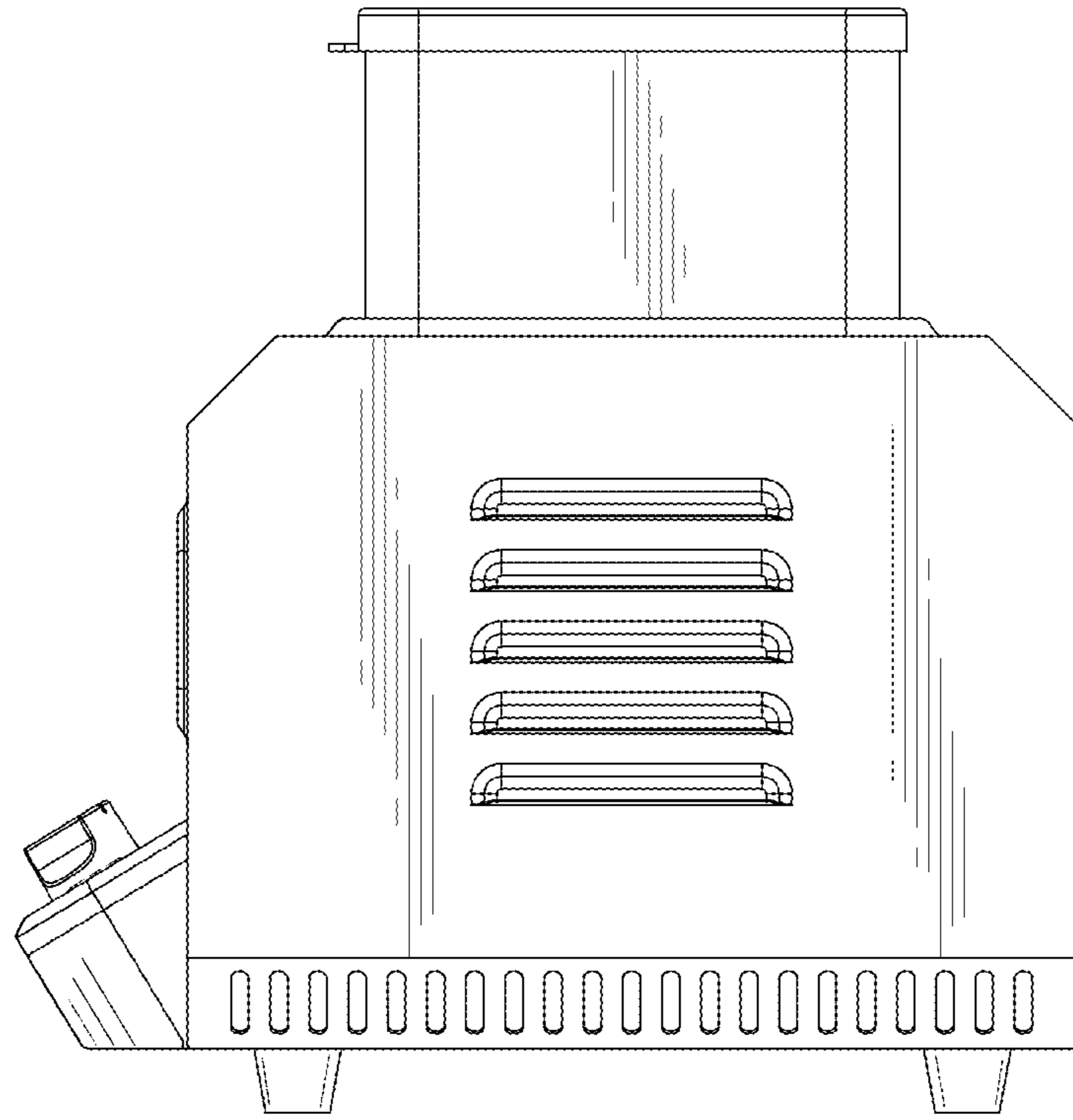


FIG. 6

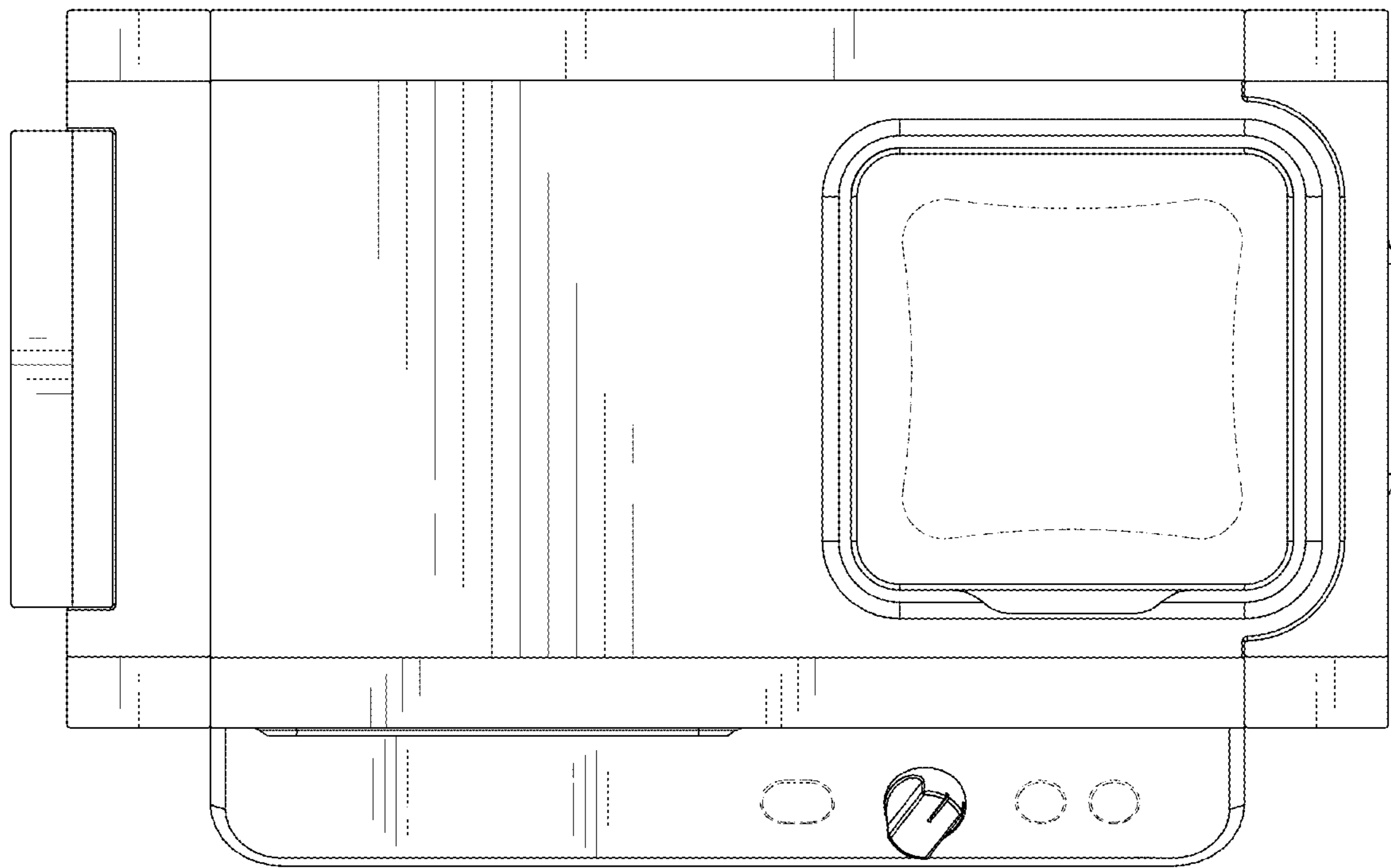


FIG. 7

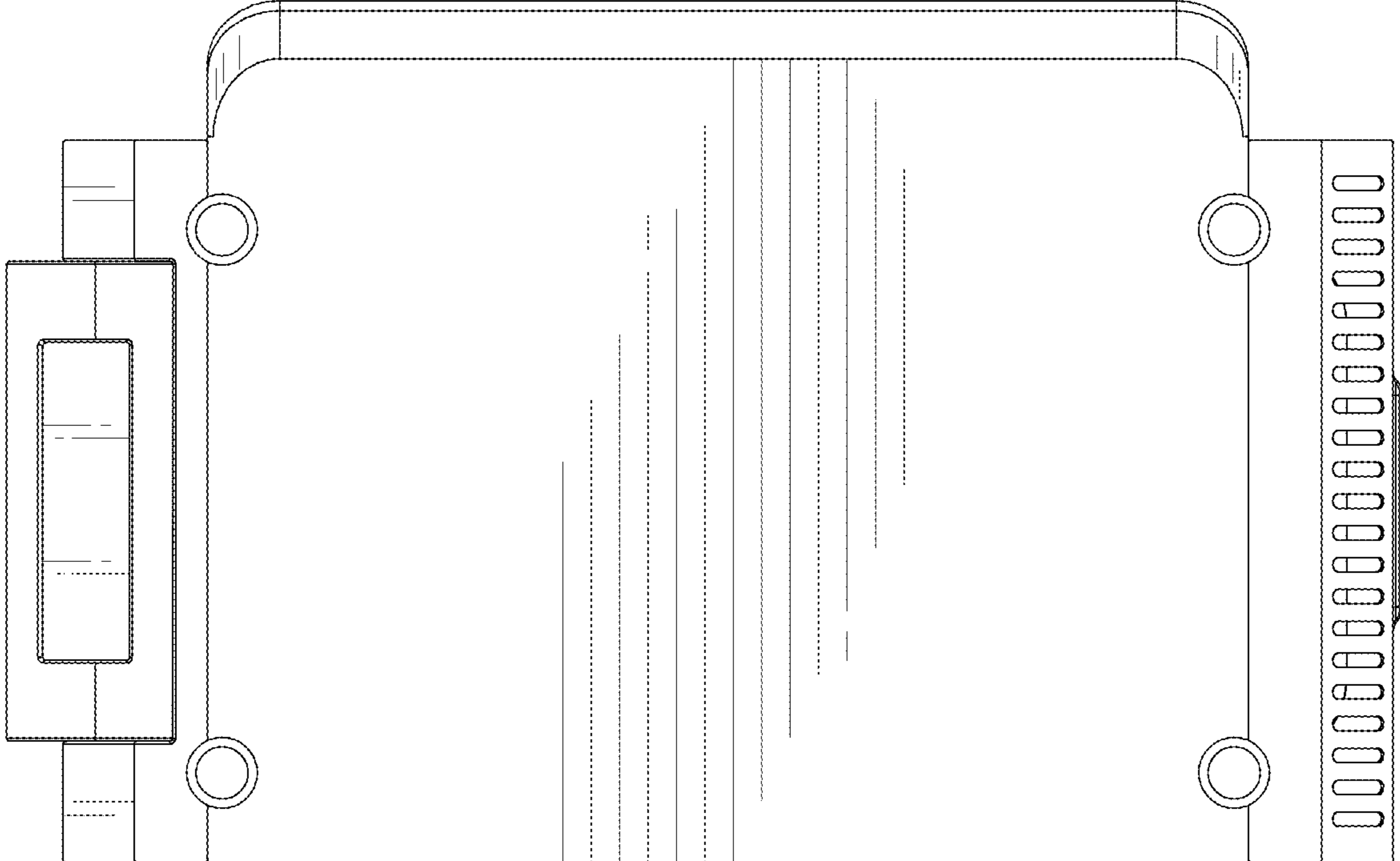


FIG. 8