



US00D979315S

(12) **United States Design Patent**
Longoria et al.

(10) **Patent No.:** **US D979,315 S**
(45) **Date of Patent:** **** Feb. 28, 2023**

(54) **BABY BOTTLE WARMER AND MIXER**

(56) **References Cited**

(71) Applicant: **BABY BREZZA ENTERPRISES LLC**, Newark, NJ (US)

U.S. PATENT DOCUMENTS

(72) Inventors: **Jose Longoria**, Miami, FL (US);
Herman Lanier Watson, Miami, FL (US);
Joshua Jameson, Acworth, GA (US)

2,700,097 A * 1/1955 Morey A47J 36/2433
219/441
2,992,316 A * 7/1961 Baumstein A47J 36/2433
99/336
3,432,641 A * 3/1969 Welke A47J 36/2433
219/415
3,480,001 A * 11/1969 Brigglin A47J 36/2433
126/369
D336,404 S * 6/1993 Classen D7/373

(73) Assignee: **BABY BREZZA ENTERPRISES LLC**, Newark, NJ (US)

(Continued)

(**) Term: **15 Years**

OTHER PUBLICATIONS

(21) Appl. No.: **29/839,408**

Baby Brezza Safe & Smart Electric Baby Bottle Warmer. Date Reviewed on Amazon.com Apr. 15, 2021. <https://www.amazon.com/Baby-Brezza-Bluetooth-Breastmilk-Settings/dp/B09H17F8F3/ref/Year:2021>.*

(22) Filed: **May 20, 2022**

Related U.S. Application Data

(63) Continuation of application No. 17/024,018, filed on Sep. 17, 2020, now Pat. No. 11,363,908.

Primary Examiner — Ricky Pham

(51) **LOC (14) Cl.** **07-02**

(74) *Attorney, Agent, or Firm* — Trueba & Suarez, PLLC; Roberto M. Suárez, Esq.

(52) **U.S. Cl.**
USPC **D7/326**

(57) **CLAIM**

(58) **Field of Classification Search**

The ornamental design for a baby bottle warmer and mixer, as shown and described.

USPC D7/326, 372, 373, 376–386, 393,
D7/412–413, 510, 586, 602, 629,
D7/665–666, 669, 679, 693–694
CPC A21C 1/02; A21C 1/04; A23N 1/00; A23N
1/02; A47J 43/04; A47J 43/24; A47J
43/25; A47J 43/27; A47J 43/042; A47J
43/044; A47J 43/046; A47J 43/075; A47J
43/0722; A47J 43/0727; A47J 43/0766;
A47J 36/2433; A47J 36/2438; B01F 3/00;
B01F 3/0807; B01F 3/0853; B01F
13/0059; B01F 13/0064; B02C 1/08;
B02C 2/04; B02C 4/42; B02C 4/142;
B02C 4/143; B02C 4/423; B02C 13/1835;
B28C 5/10; B28C 5/12; B28C 5/14;
B28C 5/16

DESCRIPTION

FIG. 1 shows a front isometric view of the ornamental design for a baby bottle warmer and mixer, according to an embodiment;

FIG. 2 shows a front view thereof;

FIG. 3 shows a back view thereof;

FIG. 4 shows a left view thereof;

FIG. 5 shows a right view thereof;

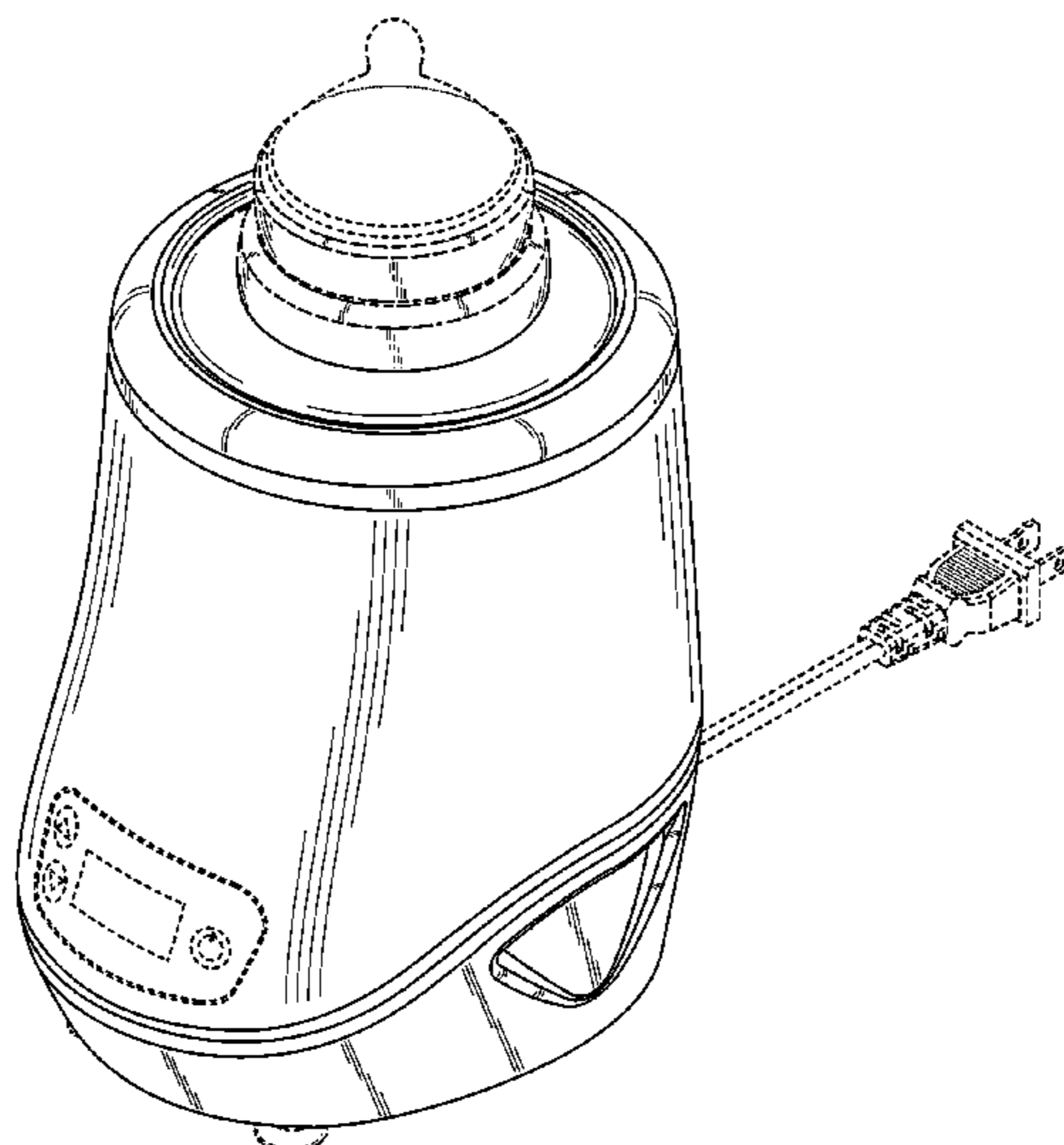
FIG. 6 shows a top view thereof; and,

FIG. 7 shows a bottom view thereof.

The broken lines indicate structures that are for reference only, and form no part of the claimed design.

See application file for complete search history.

1 Claim, 7 Drawing Sheets



(56)

References Cited

U.S. PATENT DOCUMENTS

D394,984 S * 6/1998 Andrieu D10/88
D625,138 S * 10/2010 Feller D7/326
10,433,672 B2 * 10/2019 Alexander A47J 36/2433
2012/0061376 A1 * 3/2012 McBean A47J 36/2438
219/430

* cited by examiner

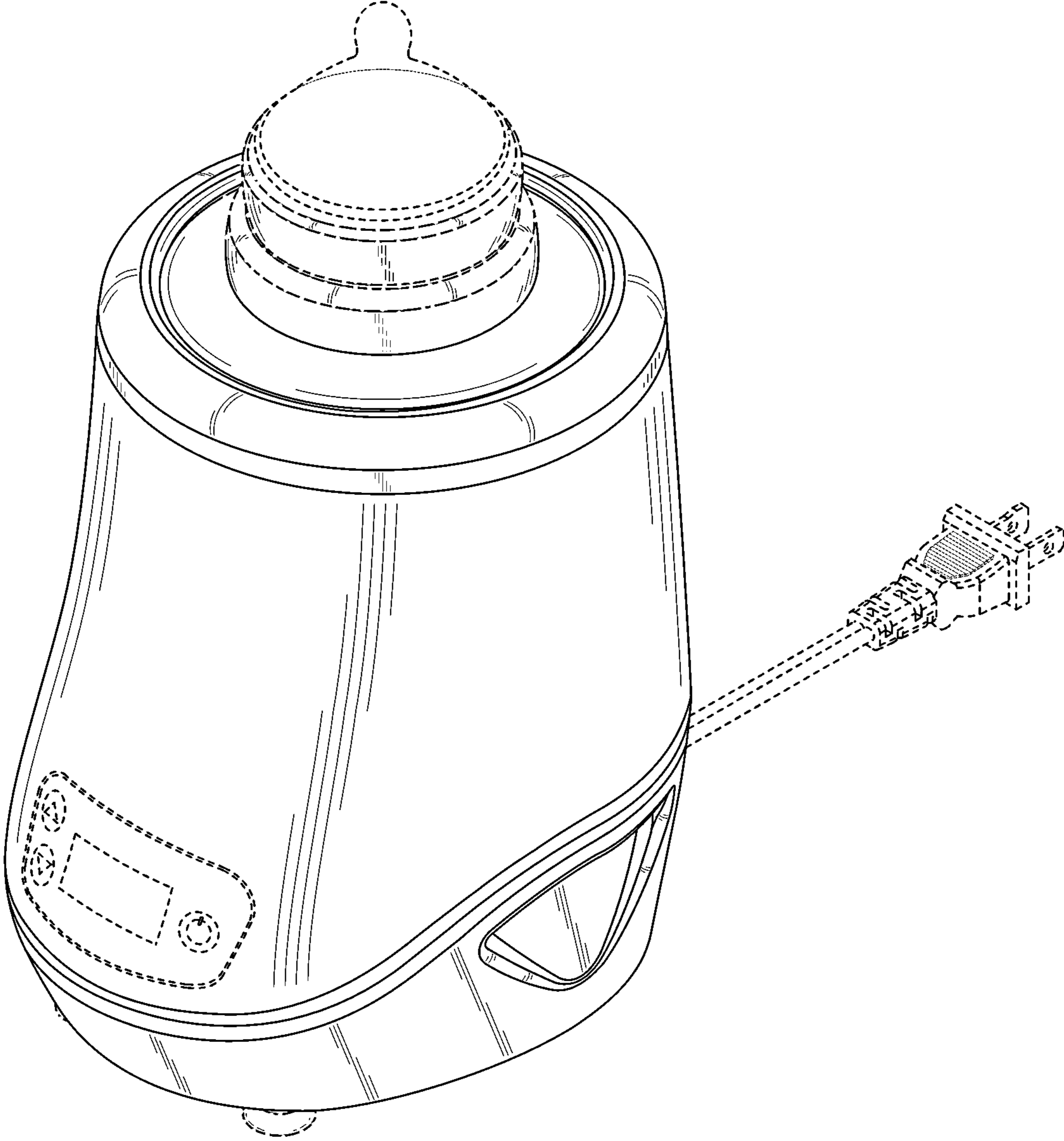


FIG. 1

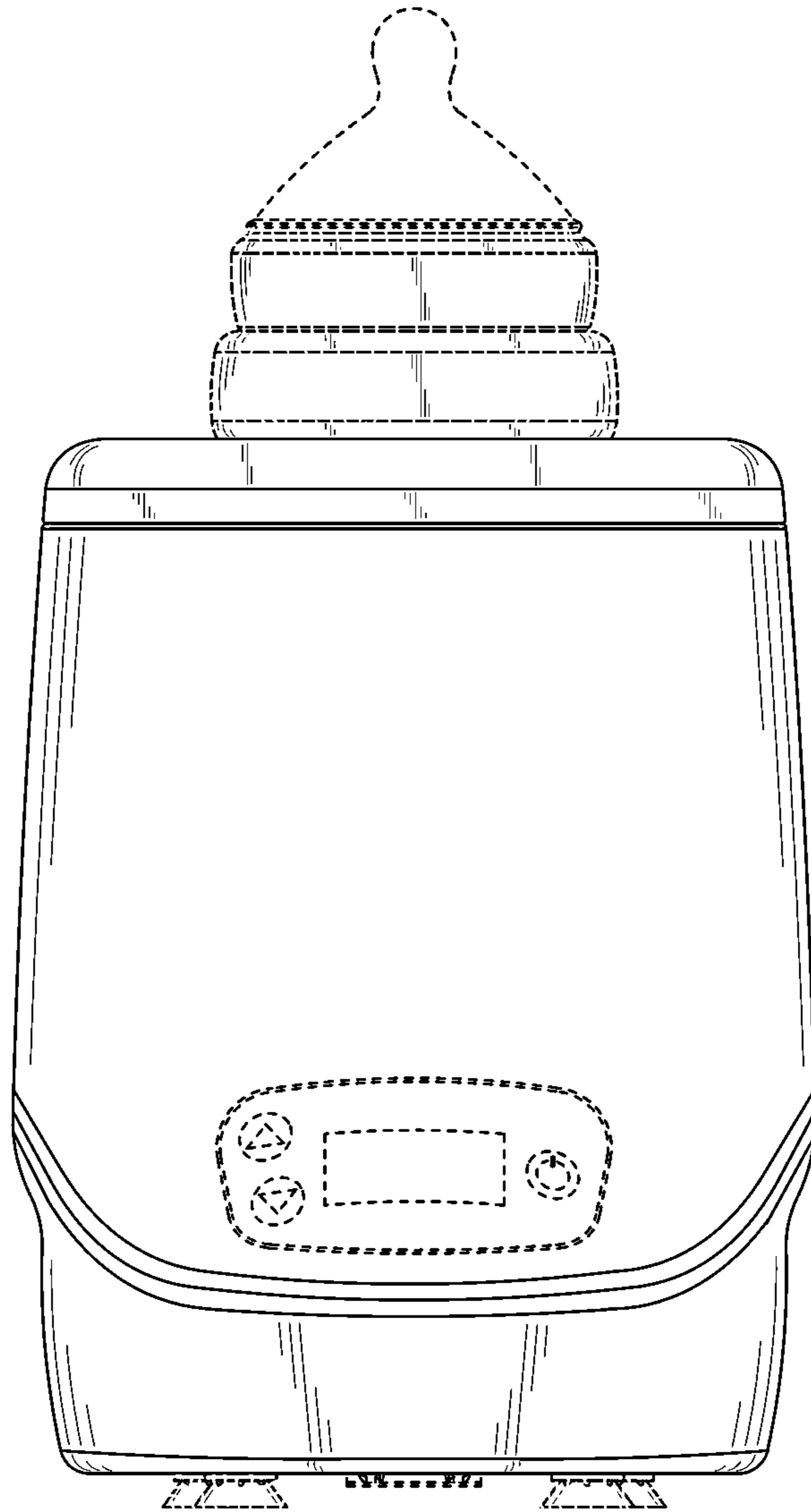


FIG. 2

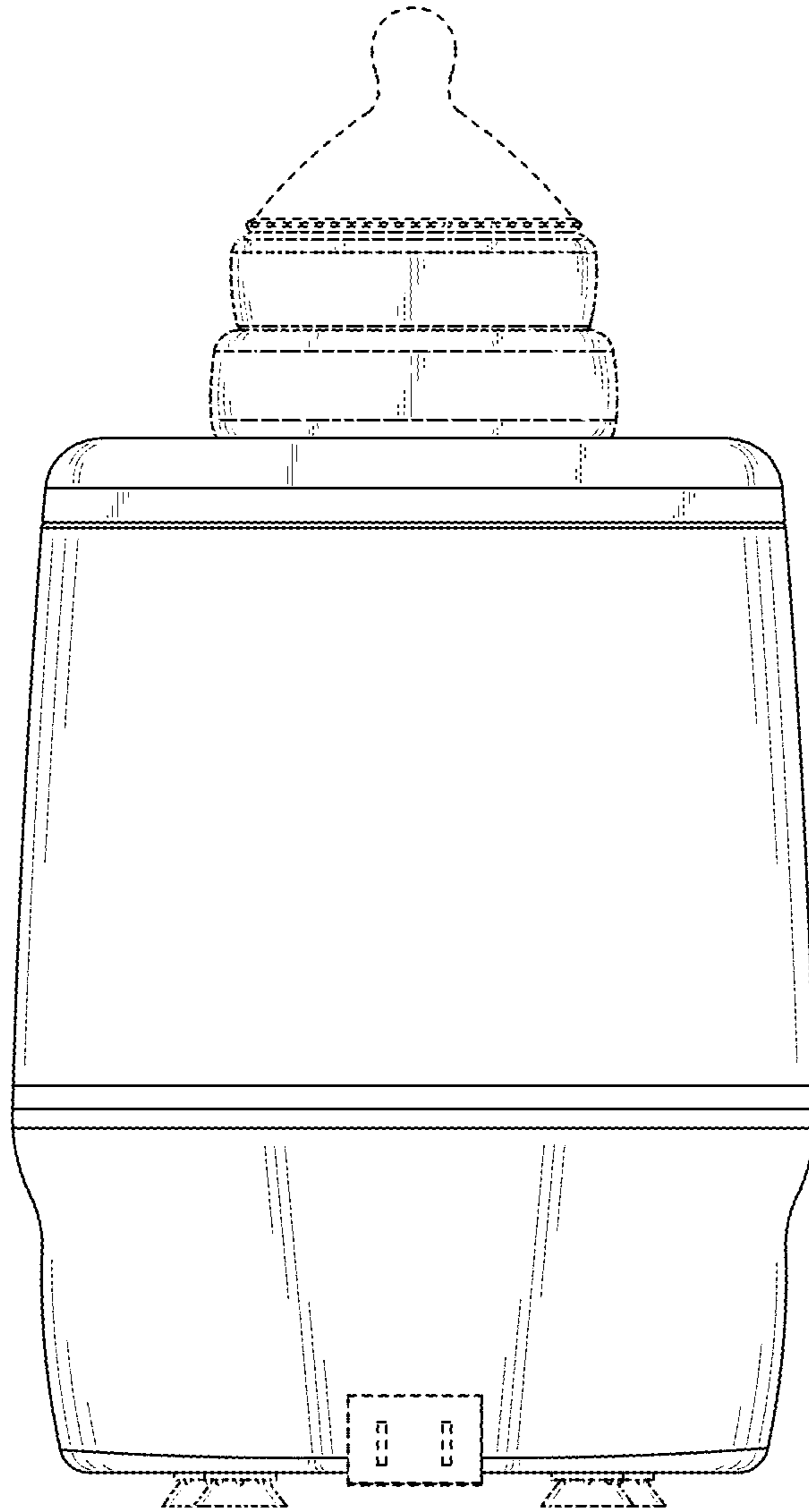


FIG. 3

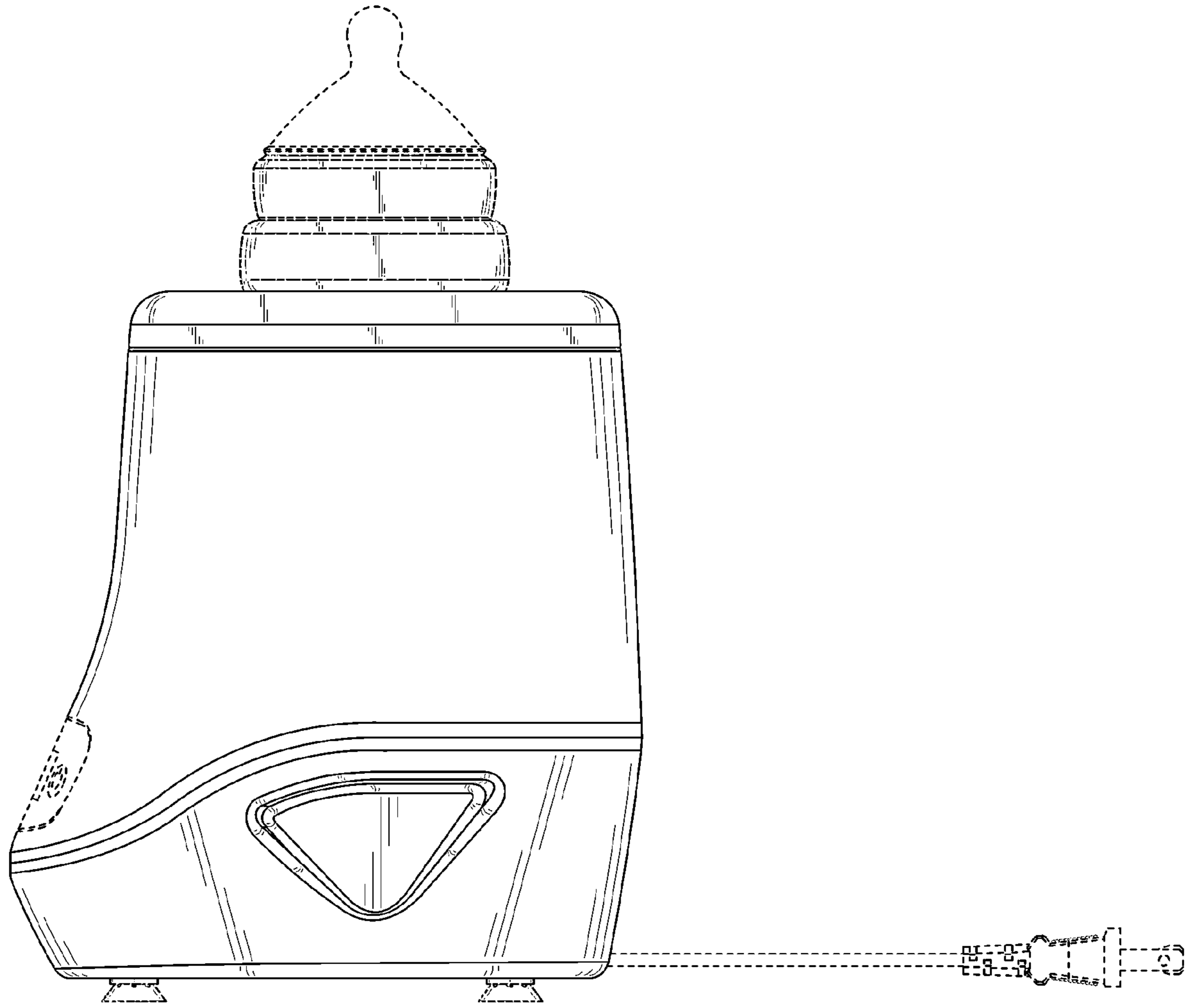


FIG. 4

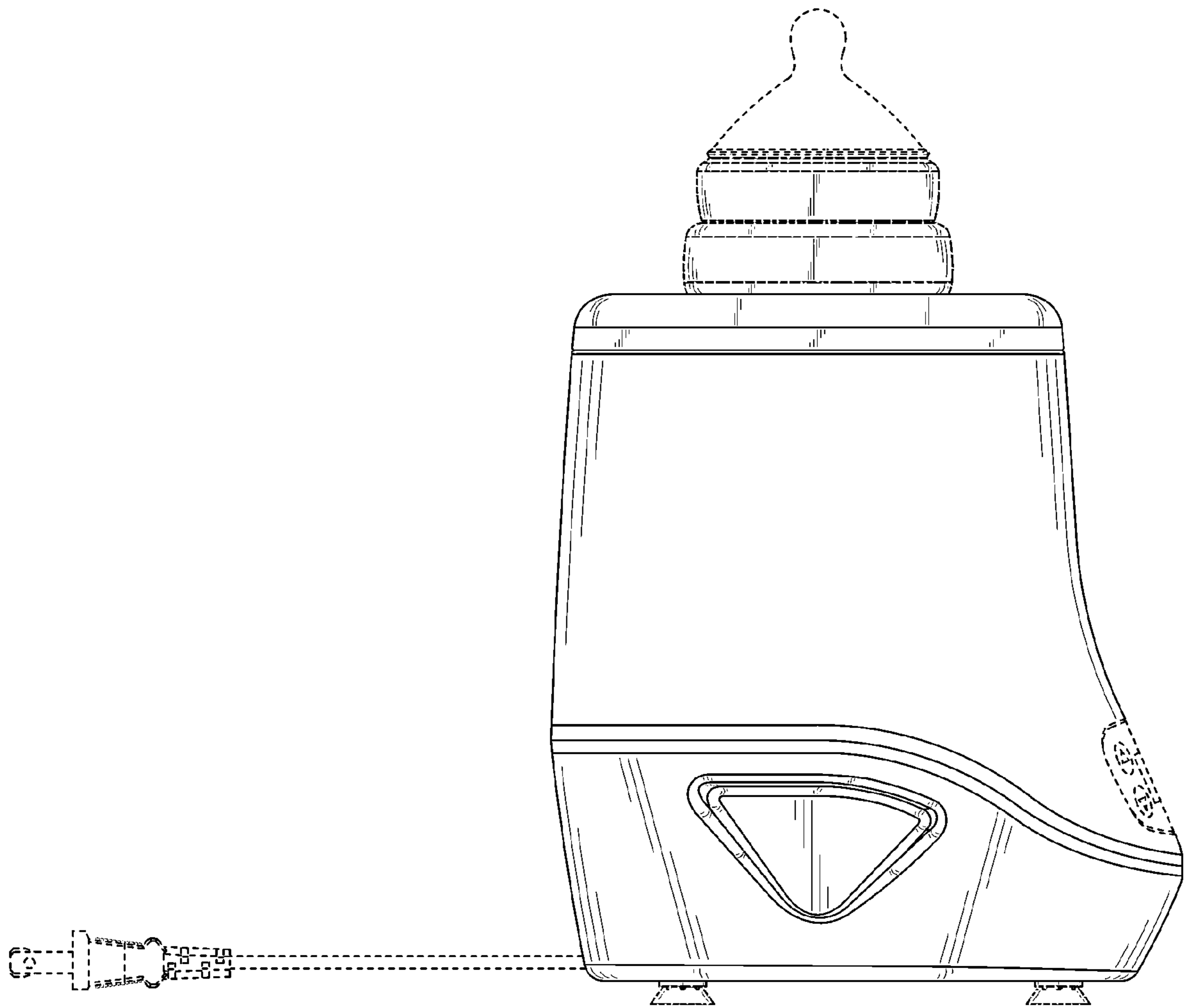


FIG. 5

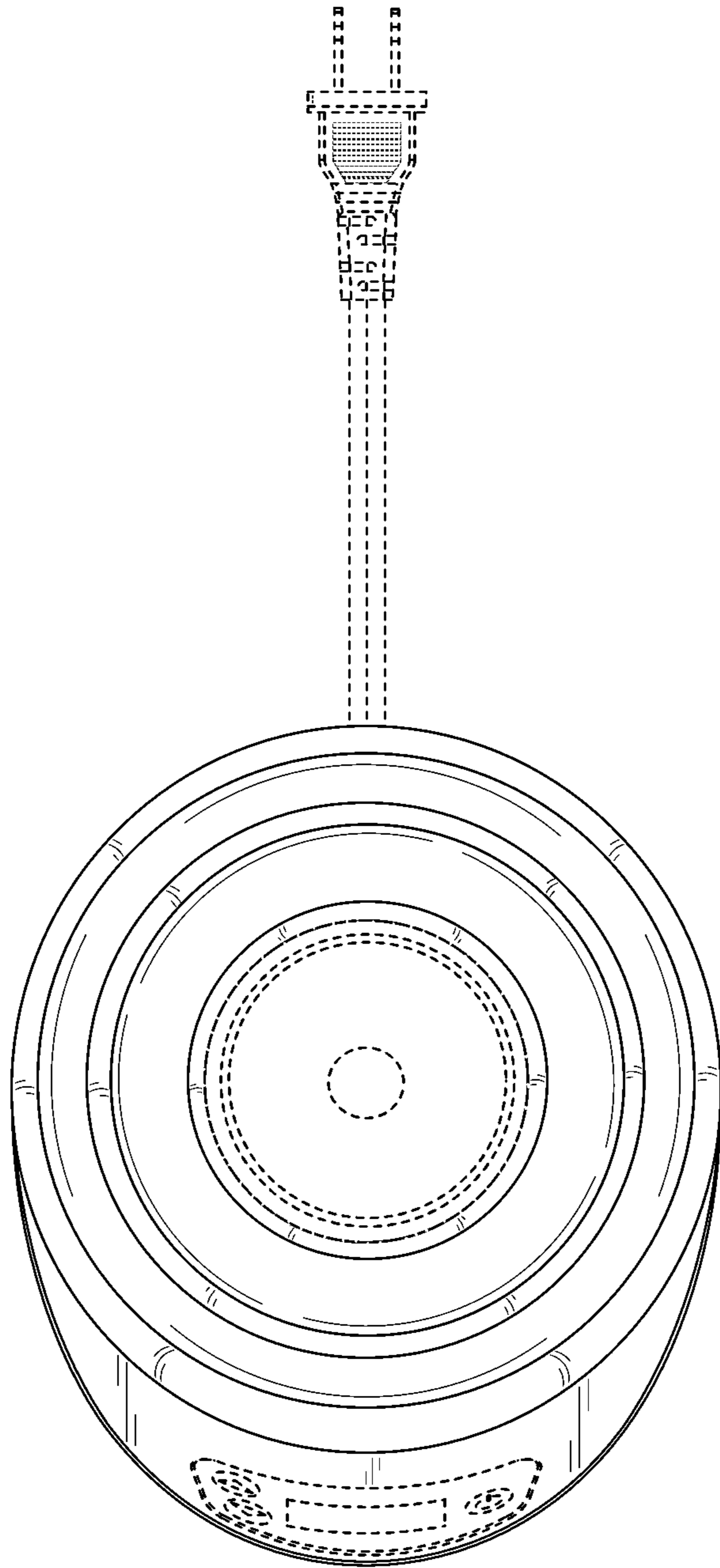


FIG. 6

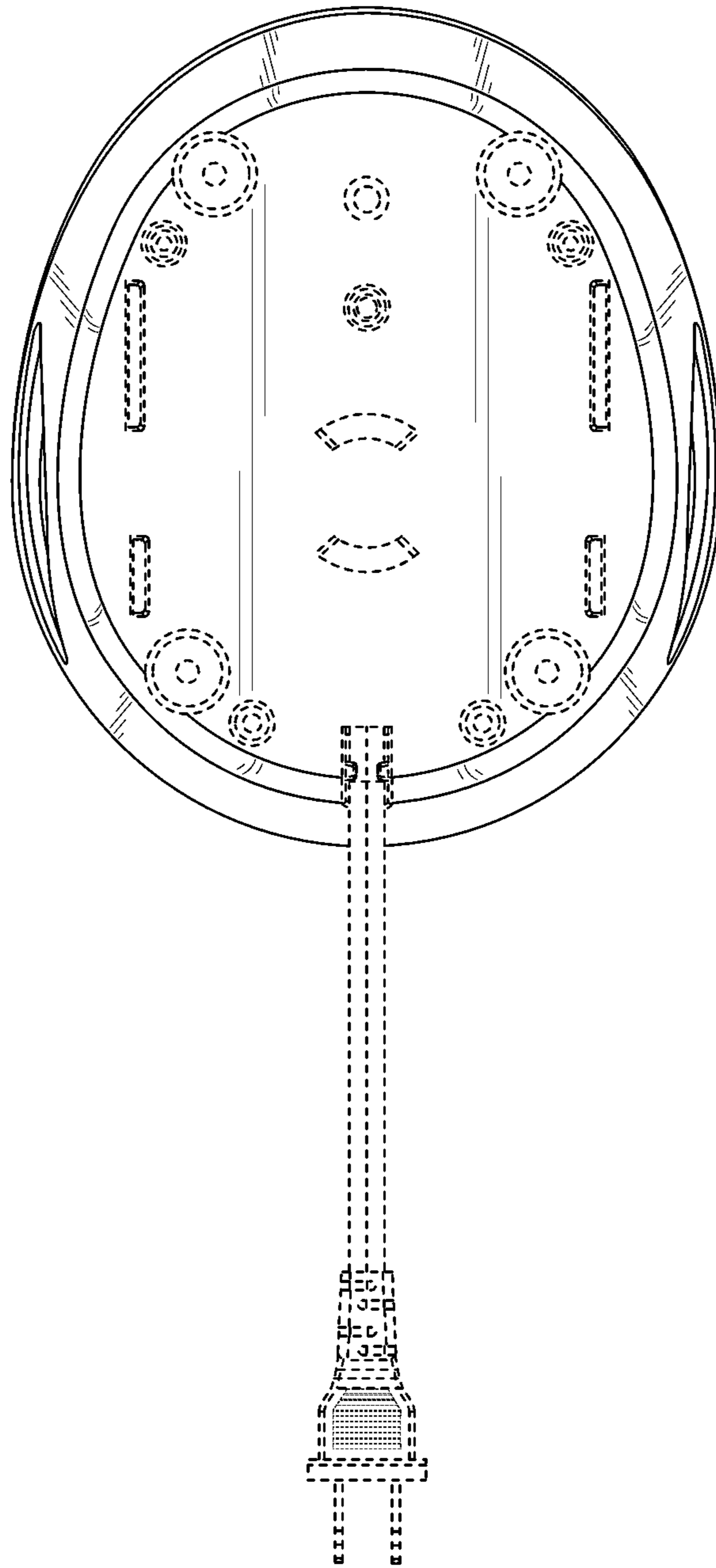


FIG. 7