



US00D979314S

(12) **United States Design Patent**
Milsap et al.

(10) **Patent No.:** **US D979,314 S**
(45) **Date of Patent:** **** Feb. 28, 2023**

- (54) **BEVERAGE CARTRIDGE WITH PROTRUDING SPOUT**
- (71) Applicant: **E. & J. Gallo Winery**, Modesto, CA (US)
- (72) Inventors: **Nicole Milsap**, Modesto, CA (US);
Stephen Nielson, Modesto, CA (US)
- (73) Assignee: **E. & J. Gallo Winery**, Modesto, CA (US)

D421,199 S *	2/2000	Hashimoto	D7/312
D482,229 S *	11/2003	Essig	D7/313
D502,360 S *	3/2005	Kautz	D6/610
D590,656 S *	4/2009	Patti	D7/392
D630,941 S *	1/2011	Paredes	D9/430
D702,476 S *	4/2014	Minica	B67D 1/0085
				D7/313
D713,193 S *	9/2014	English	D7/313
D716,094 S *	10/2014	Wang	D7/313
D731,224 S *	6/2015	Melzer	D7/397
D748,408 S *	2/2016	Toumazou	D6/544
D756,648 S *	5/2016	Leblanc	D3/289

(Continued)

(**) Term: **15 Years**

FOREIGN PATENT DOCUMENTS

- (21) Appl. No.: **29/778,726**
- (22) Filed: **Apr. 14, 2021**
- (51) **LOC (14) Cl.** **07-01**
- (52) **U.S. Cl.**
USPC **D7/313**
- (58) **Field of Classification Search**
USPC D7/312, 313, 314, 601, 605; D9/414,
D9/416, 424, 428, 429, 436, 440, 443,
D9/448, 449, 456, 500, 503, 520, 531,
D9/536, 543, 549, 560
CPC ... A47G 19/12; A47G 23/0241; A47J 31/057;
B65D 1/265; B65D 2543/00092; B65D
53/02; B65D 25/48; B67D 1/06; B67D
3/0009; B67D 3/00; B67D 1/0083; B67D
1/04; B67D 3/0083; B67D 1/0079; B67D
1/0085

EM 008721971-0002 * 10/2021

Primary Examiner — Joseph Kukella
Assistant Examiner — Darryl J Dardenne

(74) *Attorney, Agent, or Firm* — Goodwin Procter LLP

See application file for complete search history.

(57) **CLAIM**

The ornamental design for a beverage cartridge with protruding spout, as shown and described.

(56) **References Cited**

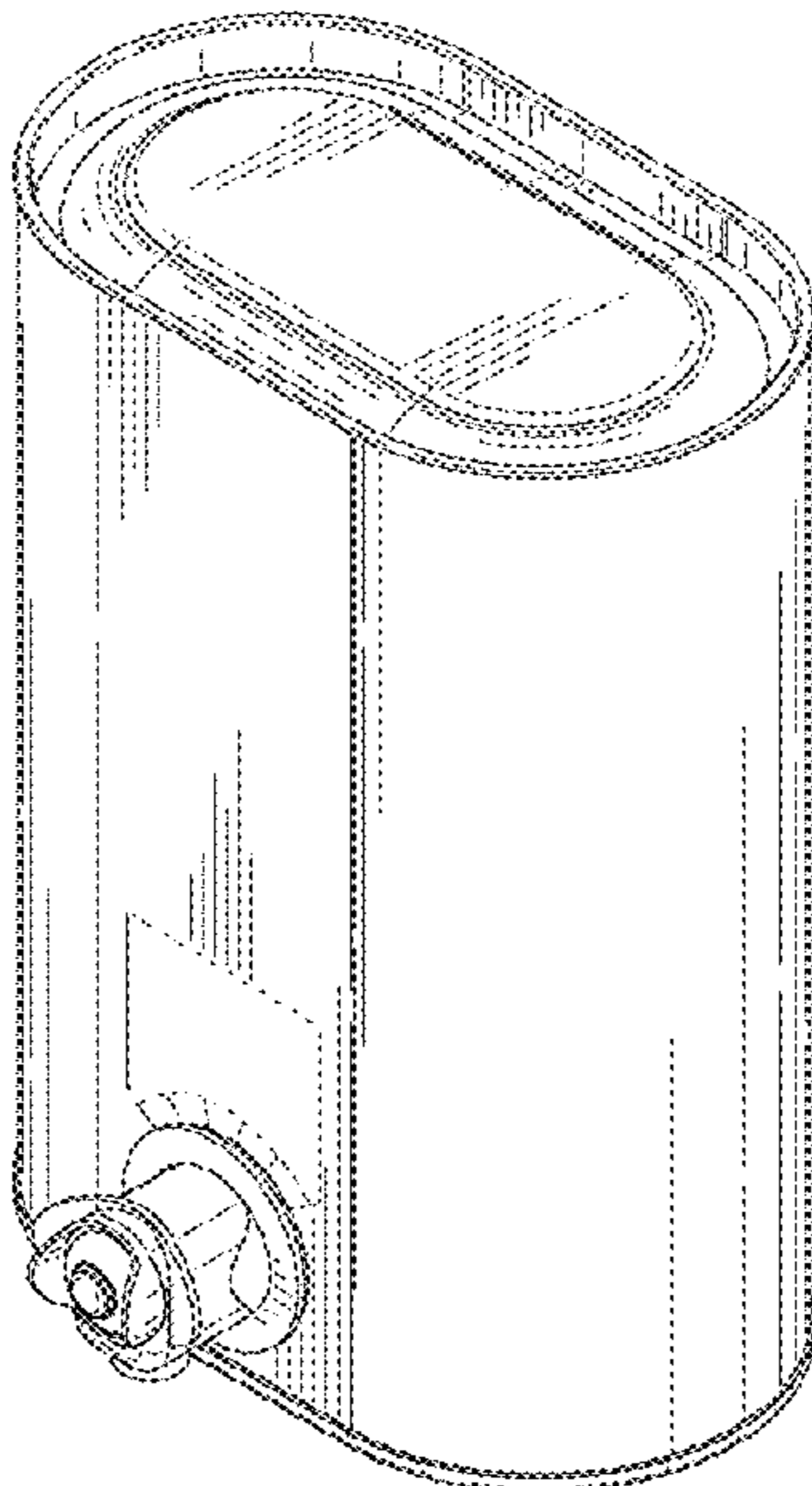
U.S. PATENT DOCUMENTS

D373,529 S *	9/1996	Zogg	D9/693
D378,883 S *	4/1997	Magnusson	B67D 1/0085
				D23/209
D403,916 S *	1/1999	Le	D7/322

DESCRIPTION

FIG. 1 is a front perspective view of a beverage cartridge with protruding spout.
 FIG. 2 is a back perspective view of the beverage cartridge of FIG. 1.
 FIG. 3 is a front view of the beverage cartridge of FIG. 1.
 FIG. 4 is a left view of the beverage cartridge of FIG. 1.
 FIG. 5 is a back view of the beverage cartridge of FIG. 1.
 FIG. 6 is a right view of the beverage cartridge of FIG. 1.
 FIG. 7 is a top view of the beverage cartridge of FIG. 1; and,
 FIG. 8 is a bottom view of the beverage cartridge of FIG. 1.
 In the drawings, the broken lines depict environmental subject matter only and form no part of the claimed design.

1 Claim, 8 Drawing Sheets



(56)

References Cited

U.S. PATENT DOCUMENTS

D763,072	S	*	8/2016	Morgan	D9/428
D763,681	S	*	8/2016	Morgan	D9/428
D777,572	S	*	1/2017	Mast	D9/444
D786,002	S	*	5/2017	Archer	D7/397
D789,132	S	*	6/2017	Roberts	D7/313
D792,730	S	*	7/2017	Ench	D7/306
D795,628	S	*	8/2017	Roberts	D7/313
D796,243	S	*	9/2017	Roberts	D7/313
D822,422	S	*	7/2018	Buchanan	D7/313
D835,470	S	*	12/2018	Seiders	D7/605
D855,370	S	*	8/2019	Torgersen	D7/312
D856,129	S	*	8/2019	Torgersen	D9/414
D932,239	S	*	10/2021	Sitwell	D7/392.1
2003/0178428	A1	*	9/2003	Chang	B65D 53/02 220/849

* cited by examiner

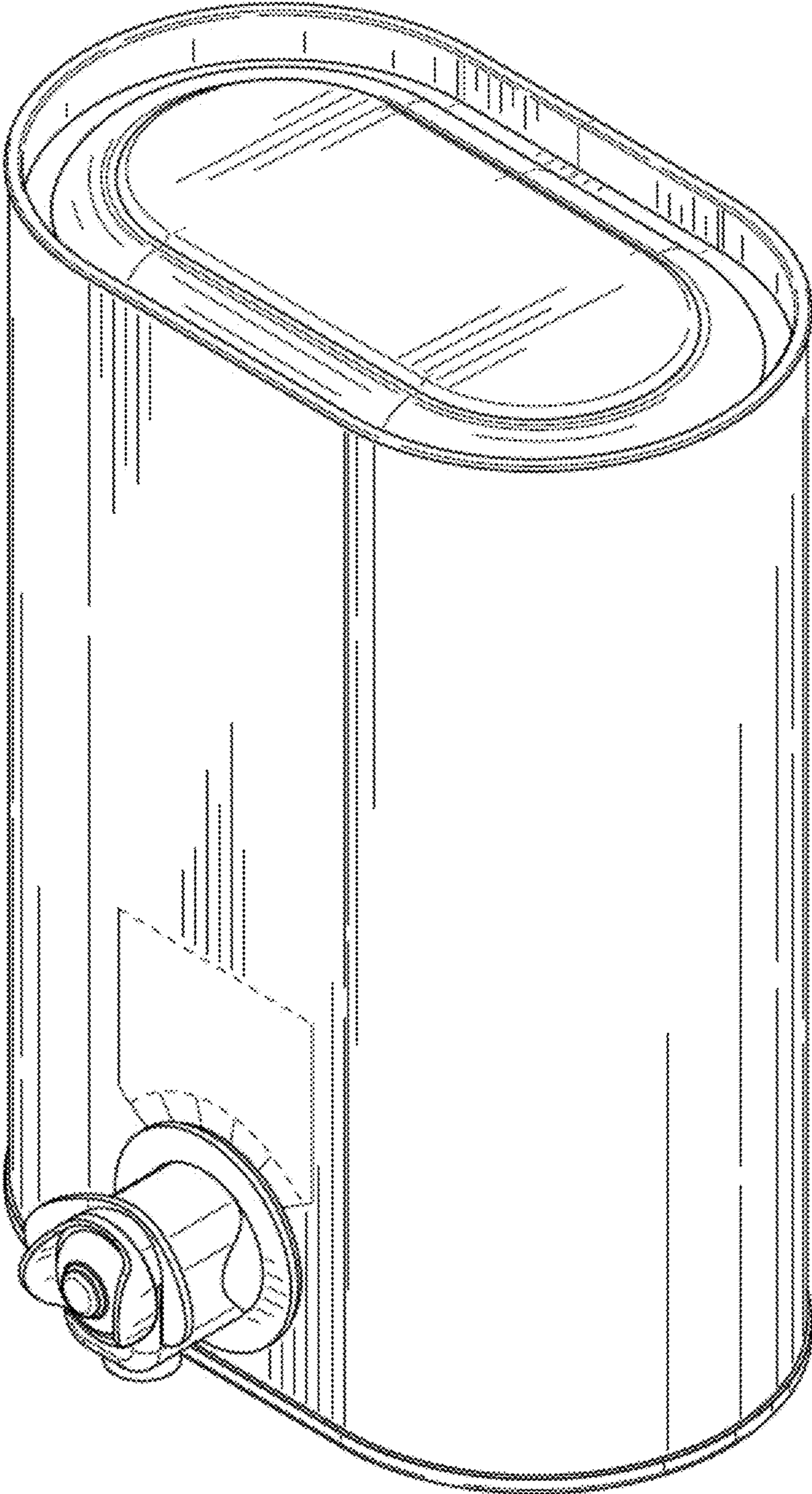


FIG. 1

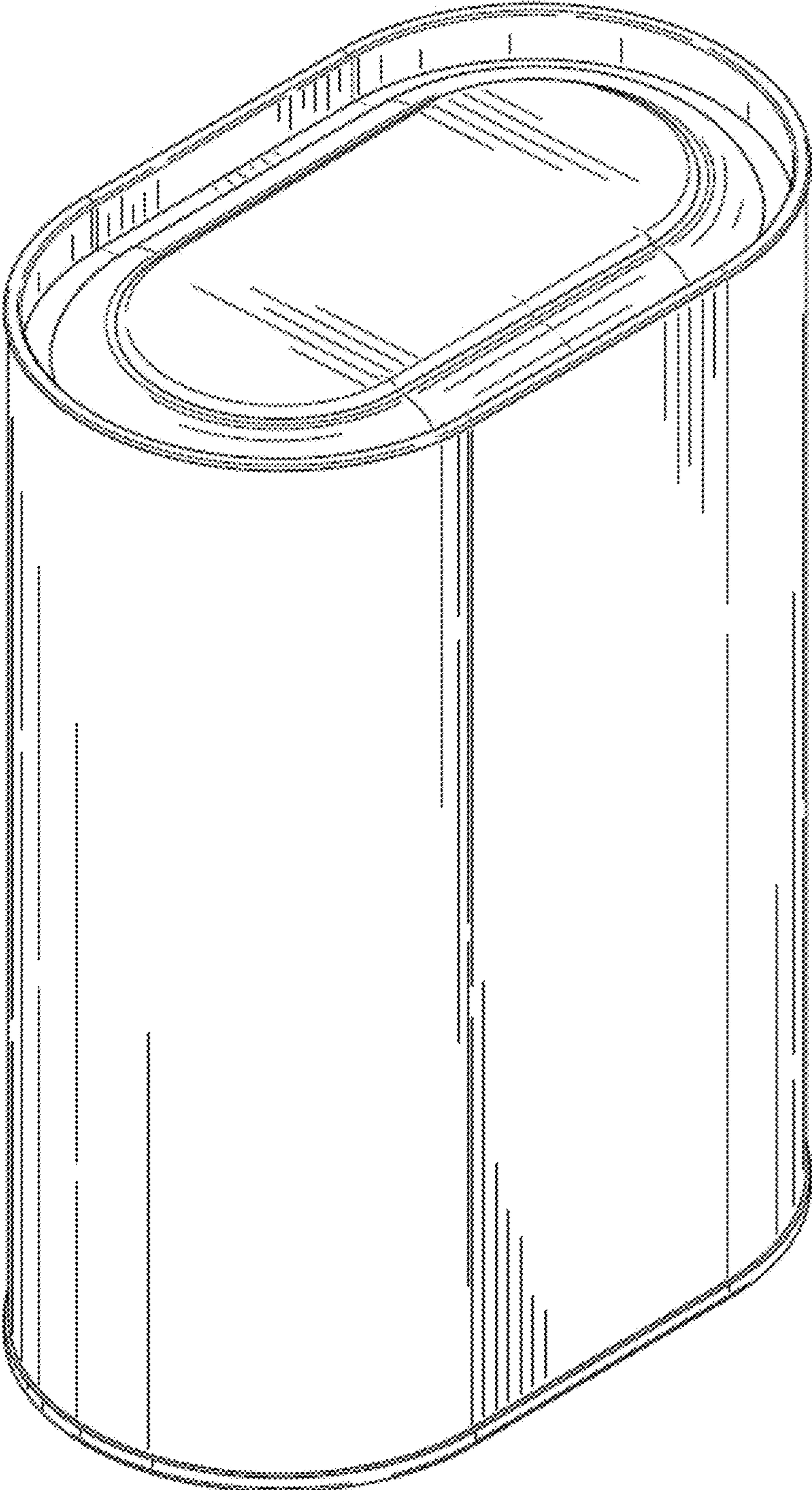


FIG. 2

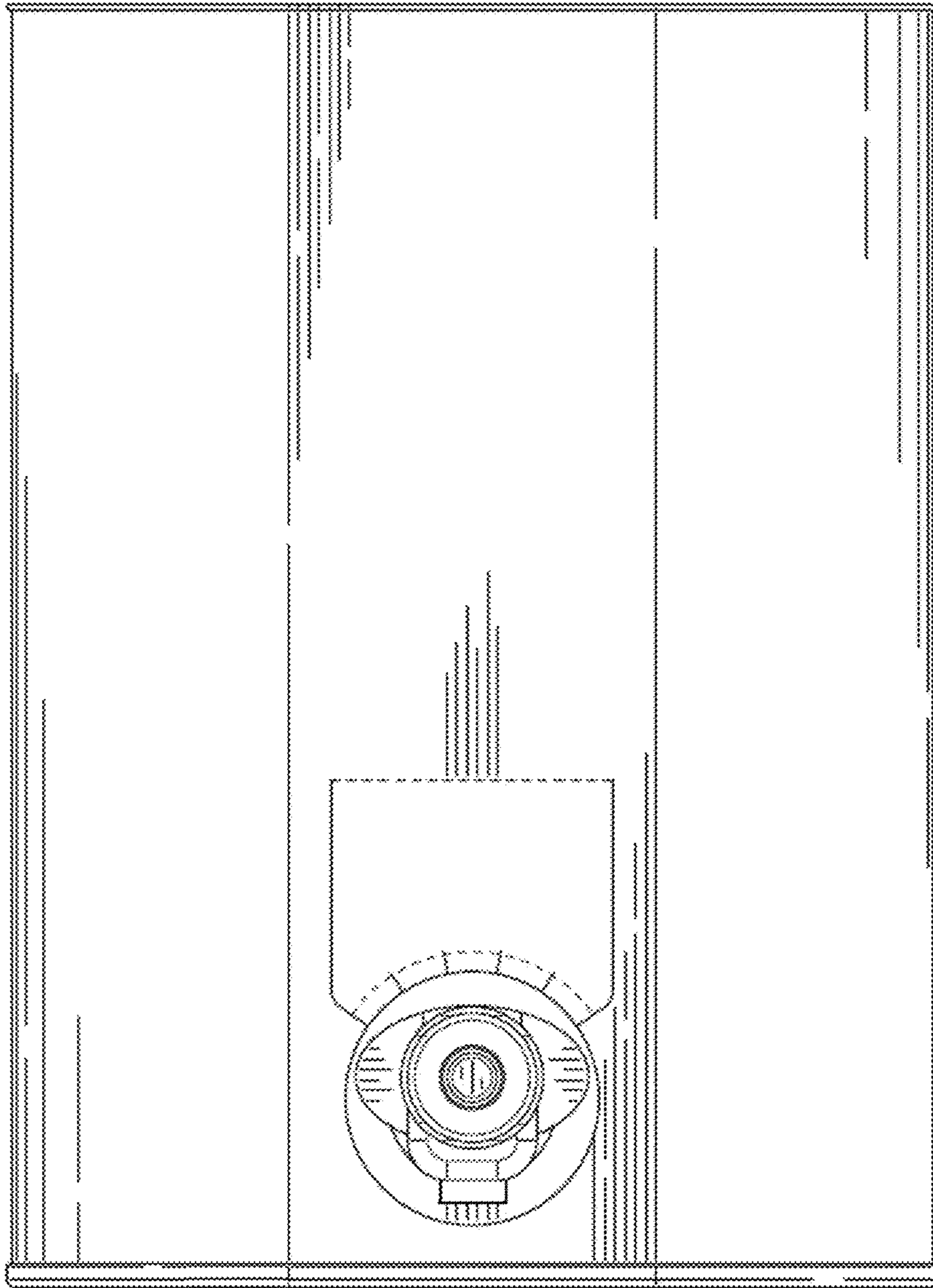


FIG. 3

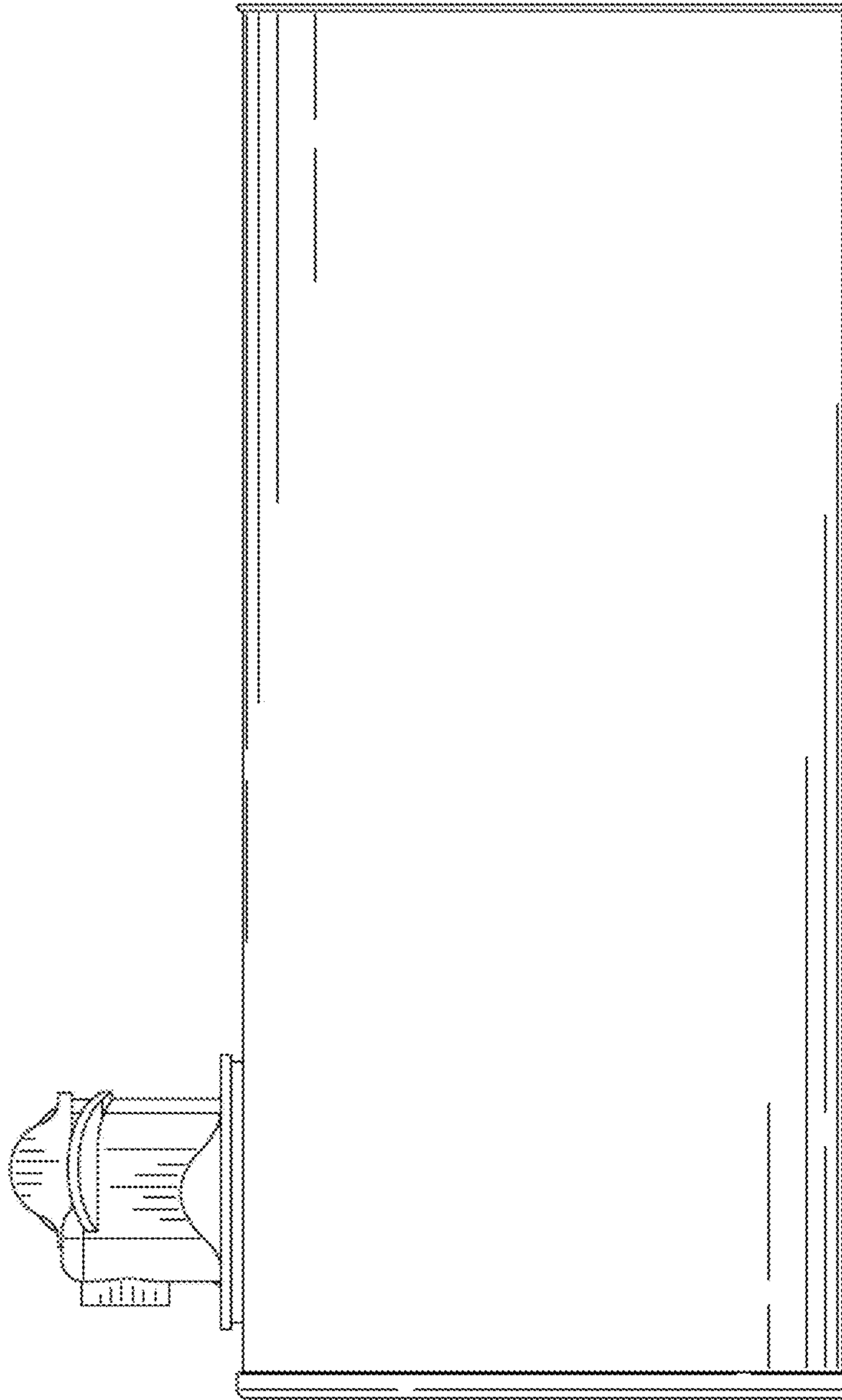


FIG. 4

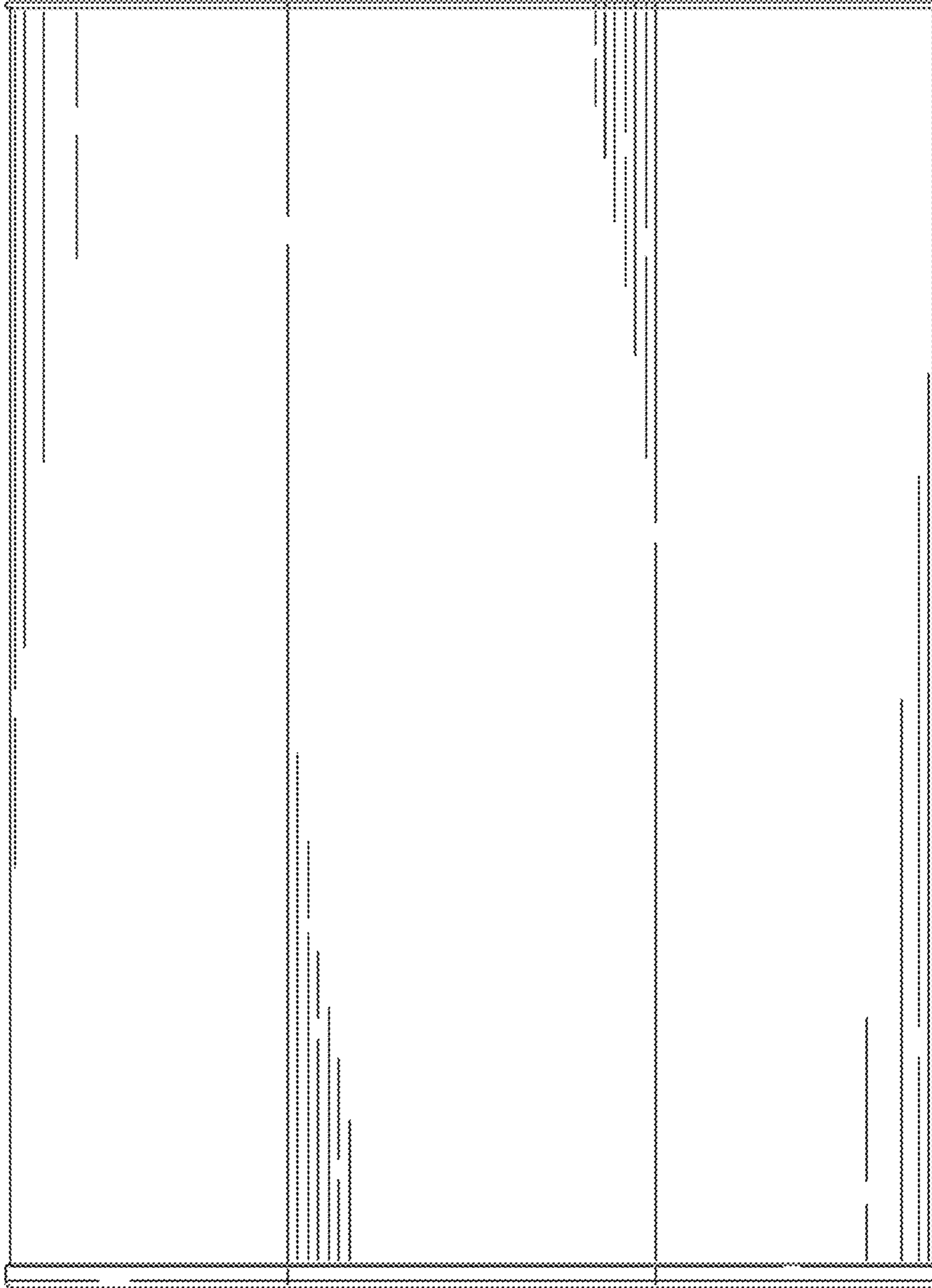


FIG. 5

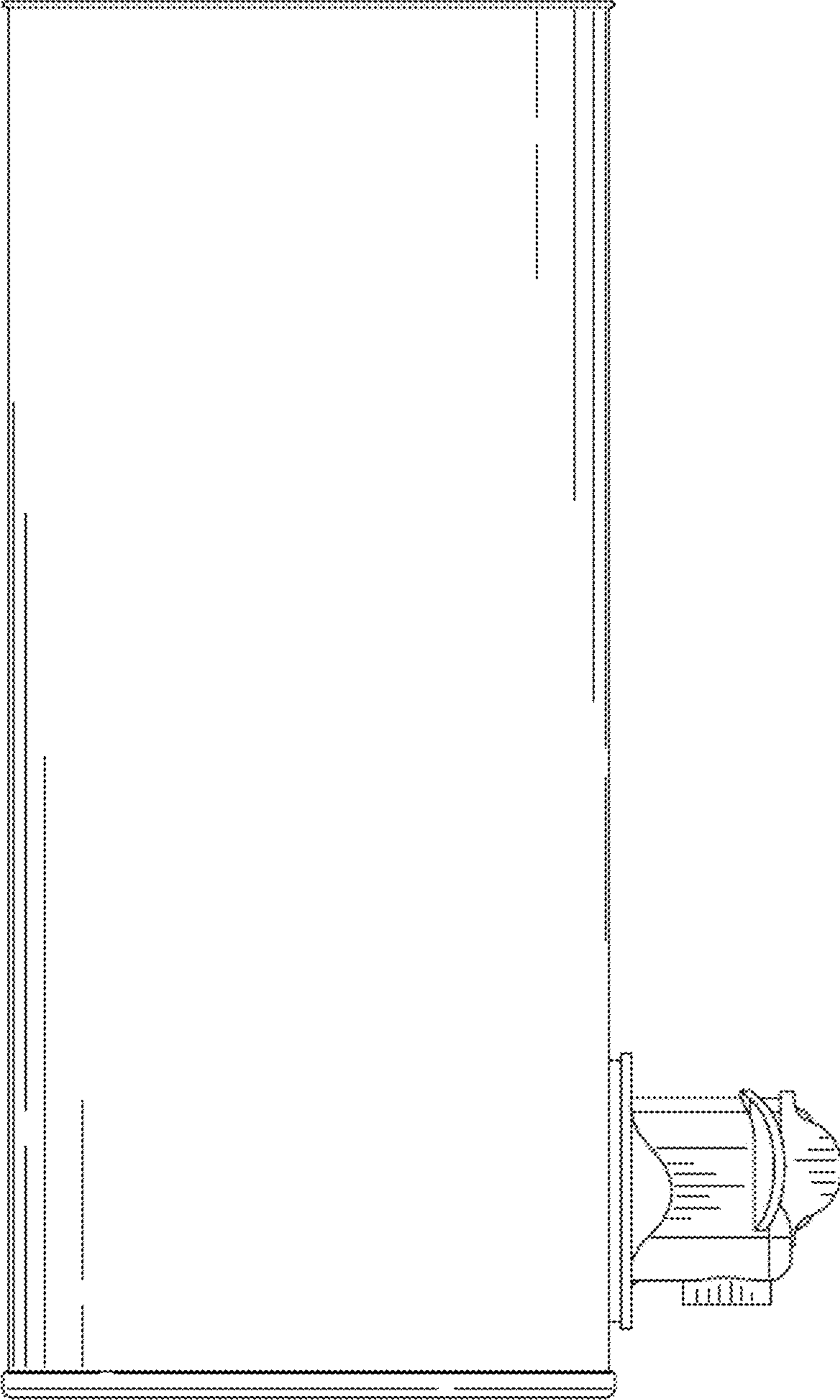


FIG. 6

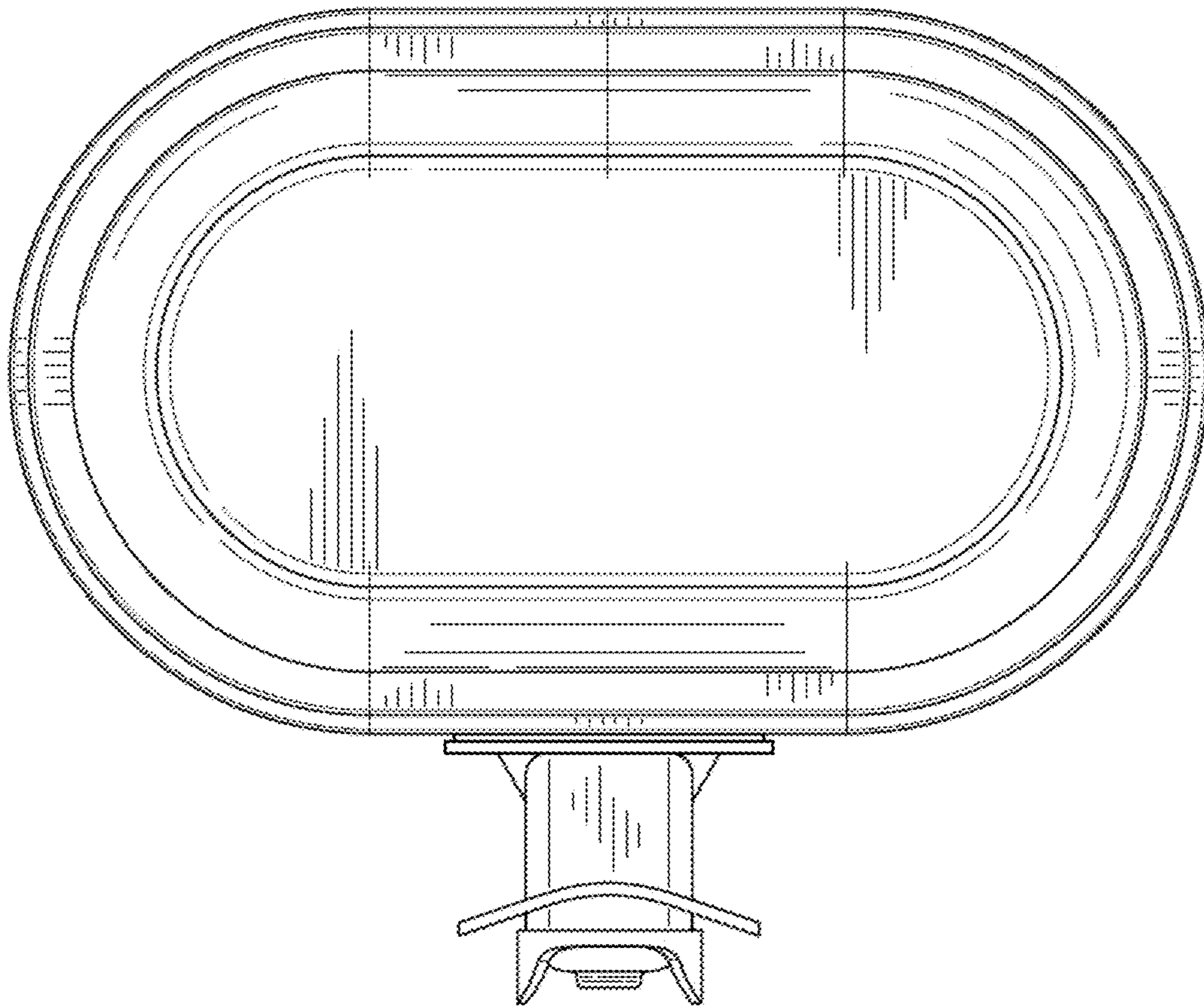


FIG. 7

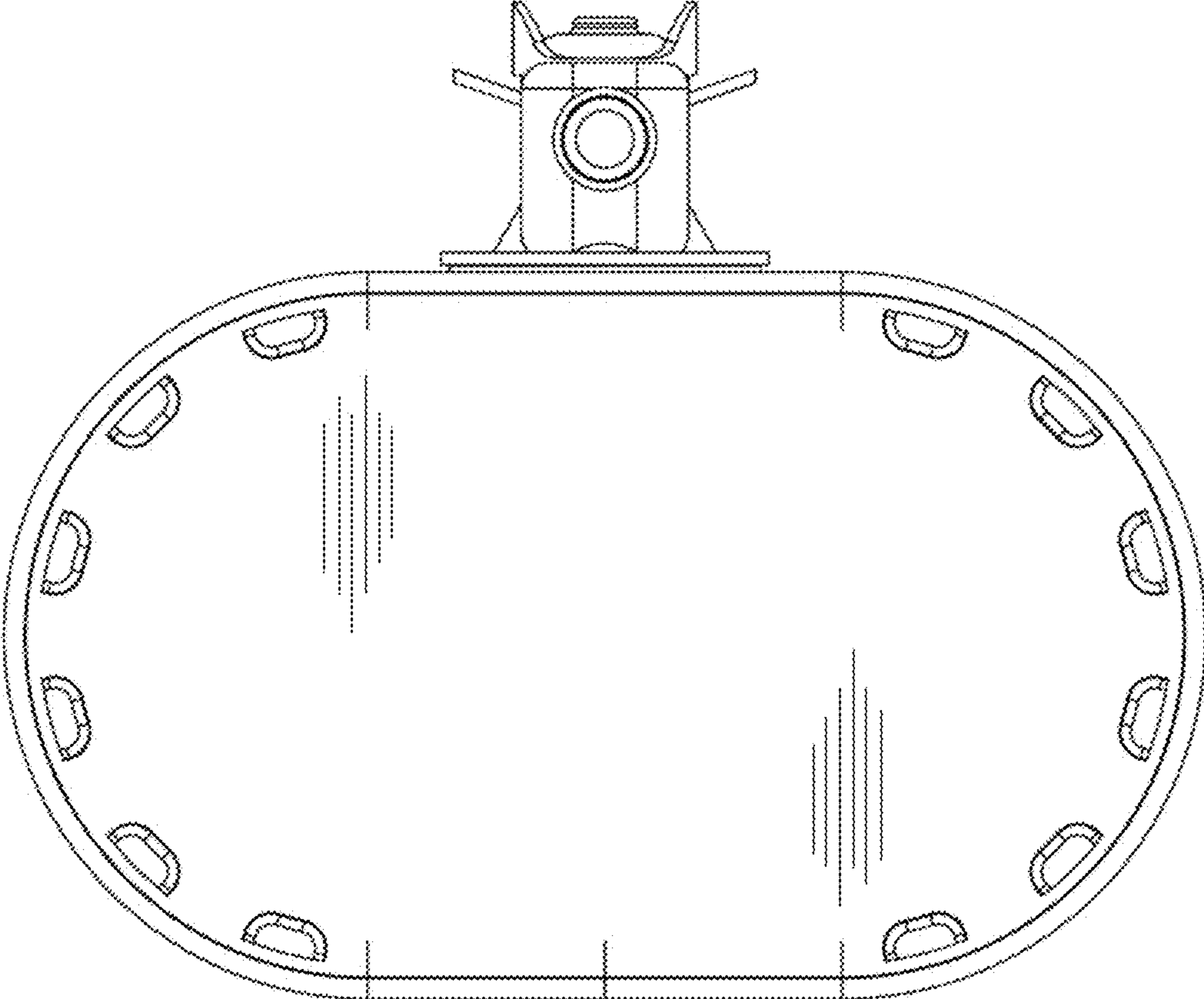


FIG. 8