



US00D979313S

(12) **United States Design Patent** (10) **Patent No.:** **US D979,313 S**
Callahan et al. (45) **Date of Patent:** **** Feb. 28, 2023**

- (54) **CARAFE**
- (71) Applicant: **OhmIQ, LLC**, Charleston, SC (US)
- (72) Inventors: **Jeremiah M. Callahan**, Sullivan's Island, SC (US); **Adam C. Wrigley**, Brooklyn, NY (US); **Jung Soo Park**, Brooklyn, NY (US); **Inna Lobel**, New York, NY (US); **Kebei Li**, Ridgewood, NY (US); **Francois Nguyen**, Brooklyn, NY (US)
- (73) Assignee: **OhmIQ, LLC**, Charleston, SC (US)
- (**) Term: **15 Years**
- (21) Appl. No.: **29/675,697**
- (22) Filed: **Jan. 4, 2019**
- (51) **LOC (14) Cl.** **07-01**
- (52) **U.S. Cl.**
USPC **D7/310**
- (58) **Field of Classification Search**
USPC D7/305, 400, 354, 638, 321, 397, 399, D7/317, 316, 312, 300.1, 300, 309, 311, D7/510, 667, 318, 310; D23/261, 207, D23/209; D32/55
CPC A23F 3/18; A23F 3/00; A47J 31/06; A47J 31/547; A47J 36/027; A47J 45/068
See application file for complete search history.

(56) **References Cited**

U.S. PATENT DOCUMENTS

4,577,080	A *	3/1986	Grossman	A47J 31/547
					219/689
5,010,221	A *	4/1991	Grossman	A47J 36/027
					219/689
5,185,505	A *	2/1993	Grzywana	A47J 31/0615
					219/689
D586,605	S *	2/2009	Ma	D7/319
D626,778	S *	11/2010	Bell	D7/319

D655,563	S *	3/2012	Kern	D7/319
D666,865	S *	9/2012	Spivey	D7/319
D730,675	S *	6/2015	Williams	D7/317
D740,067	S *	10/2015	Katz	D7/399
D751,331	S *	3/2016	Rashid	D9/504
D766,655	S *	9/2016	Neace, Jr.	D7/399
D789,134	S *	6/2017	Lin	D7/316
D823,050	S *	7/2018	Neace, Jr.	D7/399
D887,764	S *	6/2020	Henkel	D7/316
10,674,858	B2 *	6/2020	Miller	A23F 5/262
2007/0209981	A1 *	9/2007	Moretto	B01D 35/143
					210/138

* cited by examiner

Primary Examiner — Andrew Kerr

(74) *Attorney, Agent, or Firm* — Lerner, David, Littenberg, Krumholz & Mentlik, LLP

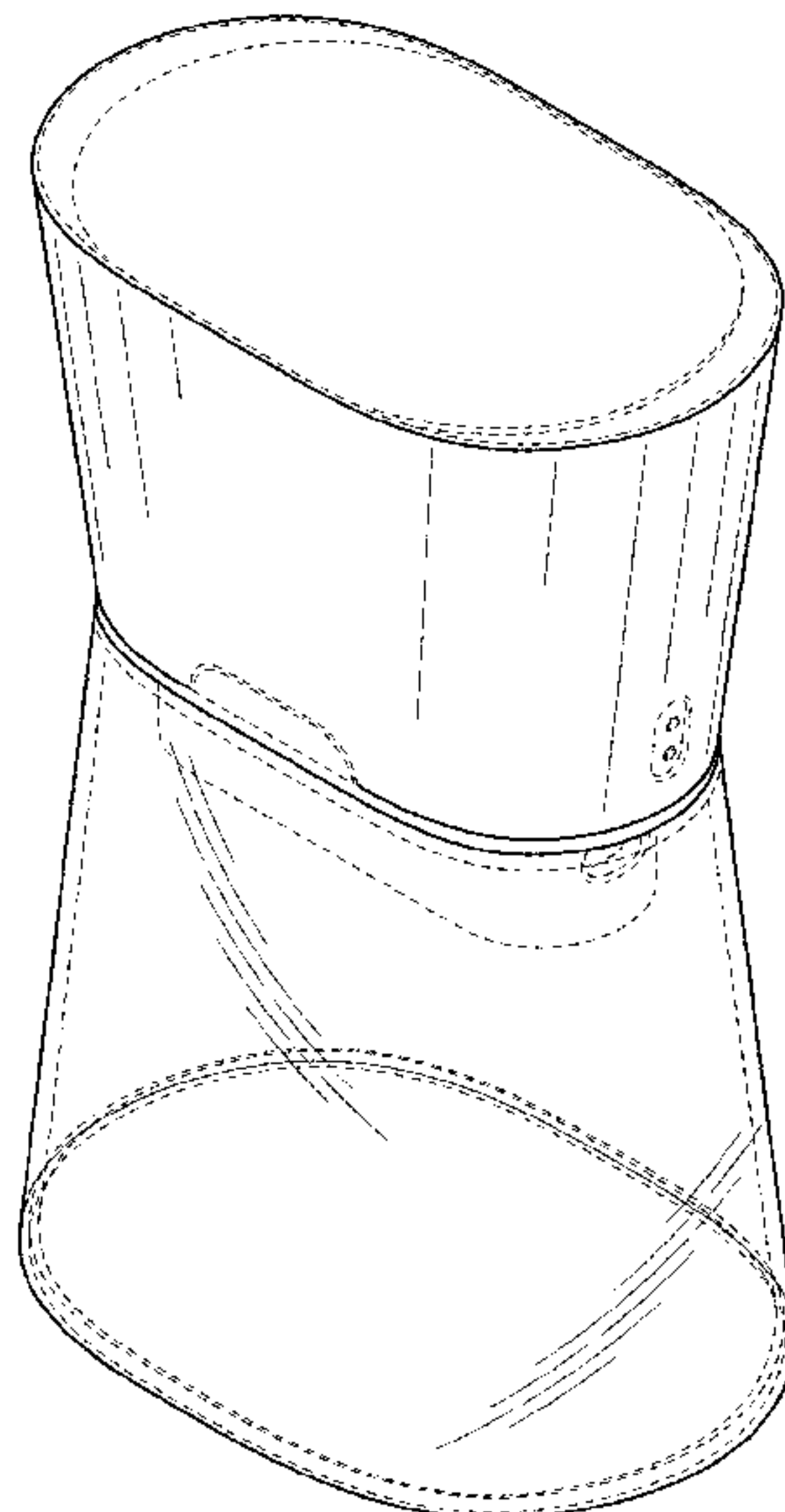
(57) **CLAIM**

The ornamental design for a carafe, as shown and described.

DESCRIPTION

FIG. 1 is a front perspective view of a carafe according to our design;
 FIG. 2 is a front elevation view thereof;
 FIG. 3 is a rear elevation view thereof;
 FIG. 4 is a left side elevation view thereof;
 FIG. 5 is a right side elevation view thereof;
 FIG. 6 is a top plan view thereof;
 FIG. 7 is a bottom plan view thereof;
 FIG. 8 is a bottom perspective view thereof;
 FIG. 9 is a front perspective view showing an example use thereof; and,
 FIG. 10 is an enlarged view of region 10 in FIG. 9.
 The curved diagonal shading indicates a transparent surface. The broken lines shown in the drawings illustrate portions of the carafe that form no part of the claimed design or environmental structure that forms no part of the claimed design.

1 Claim, 8 Drawing Sheets



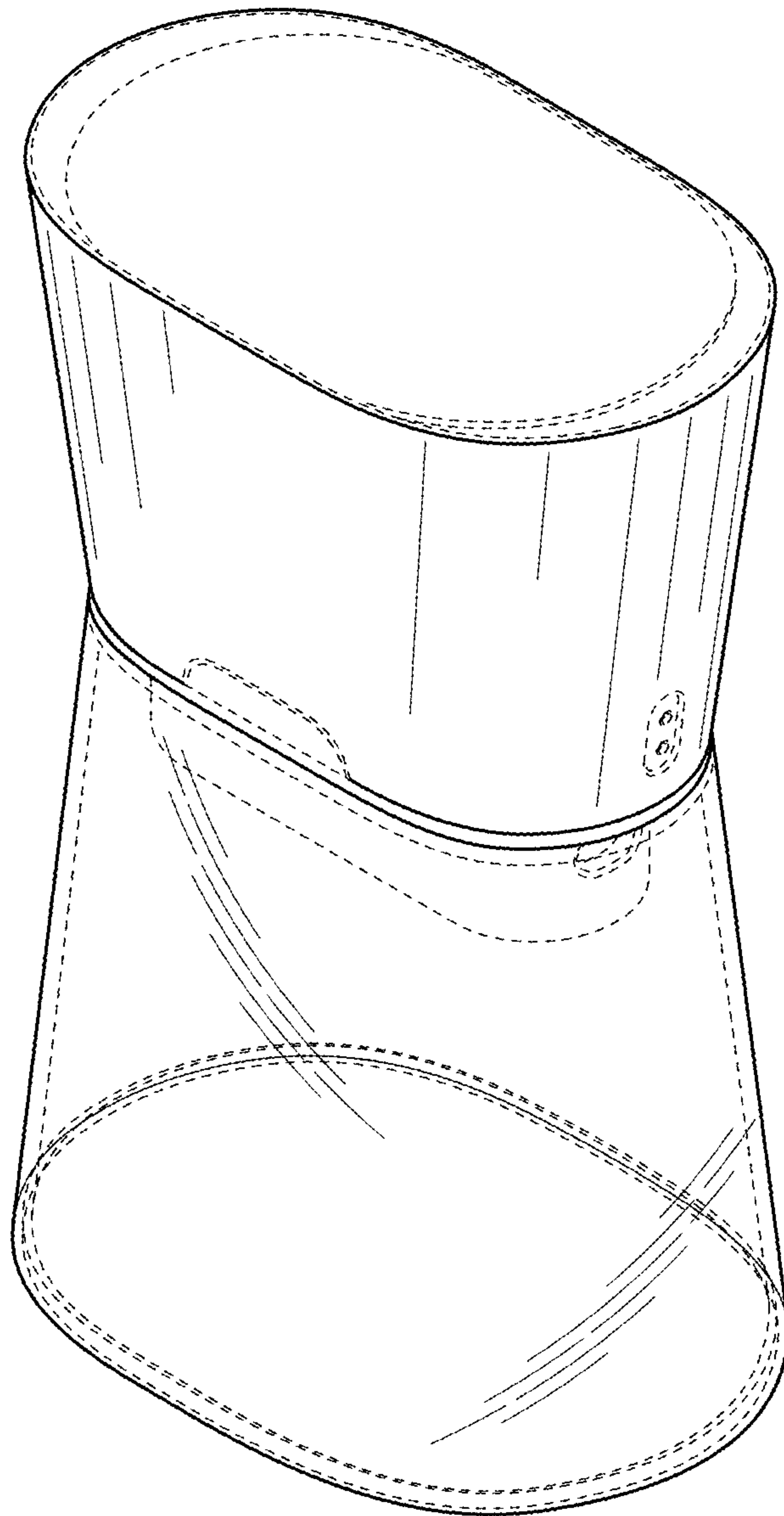


FIG. 1

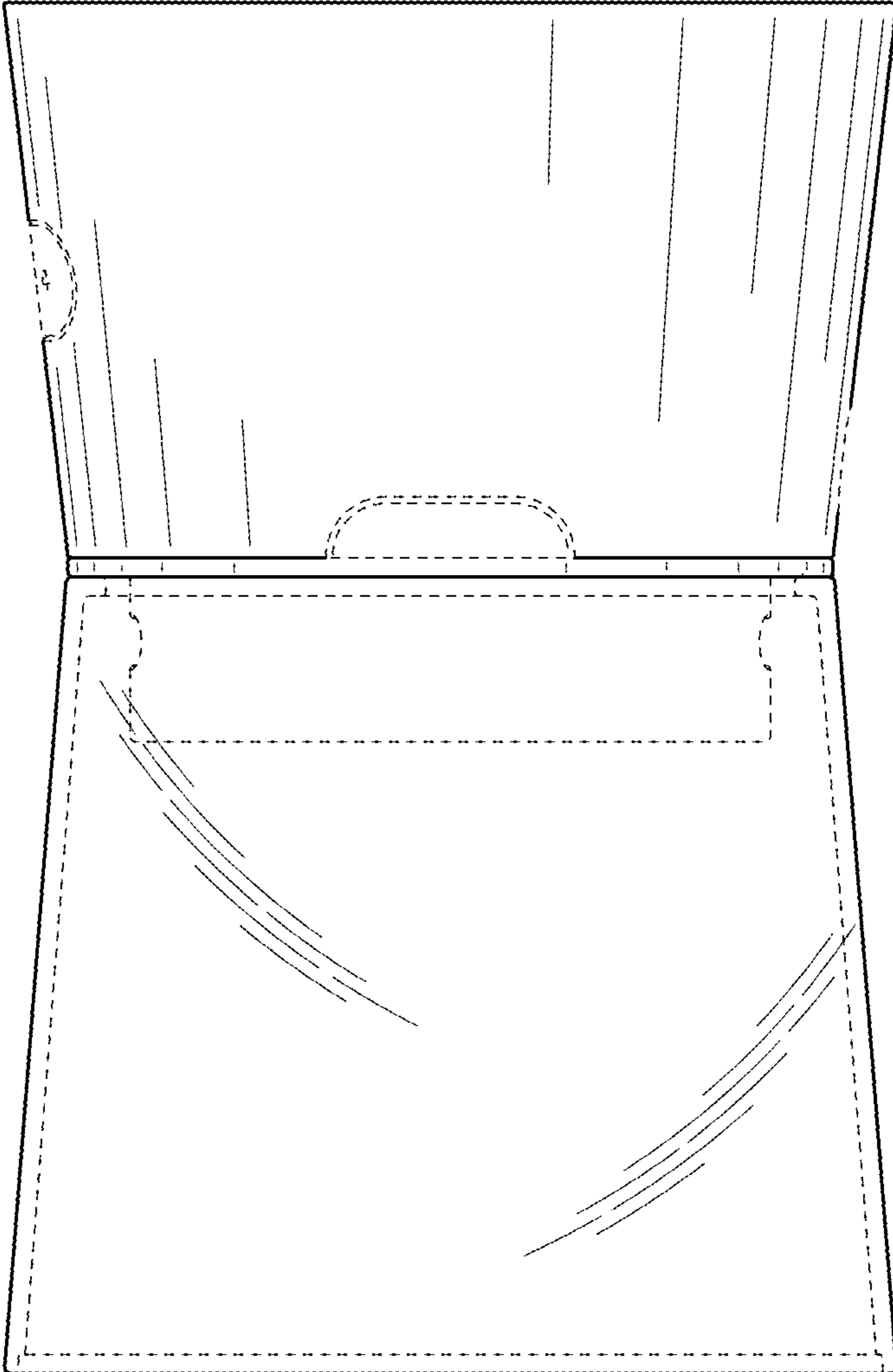


FIG. 2

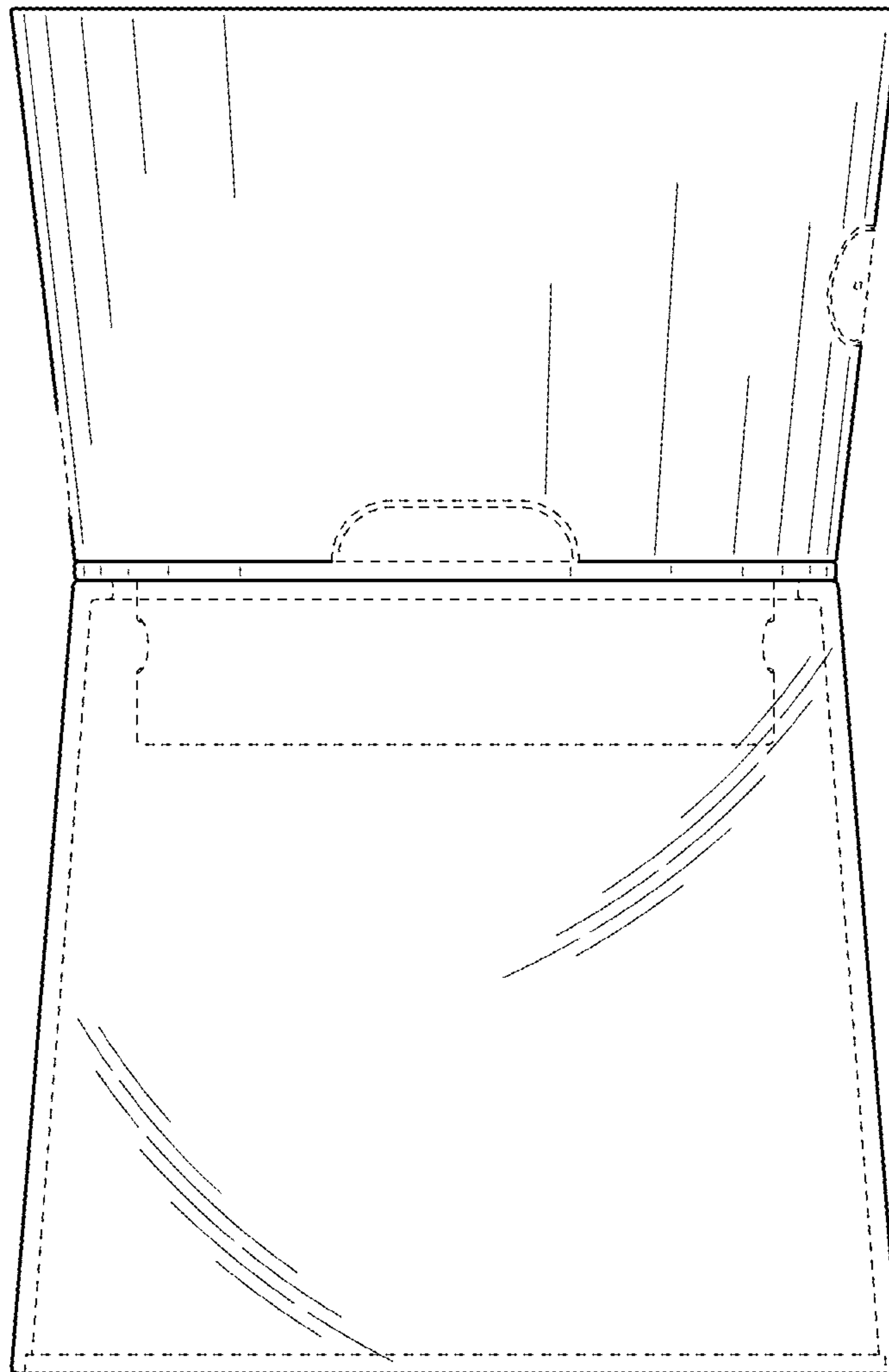


FIG. 3

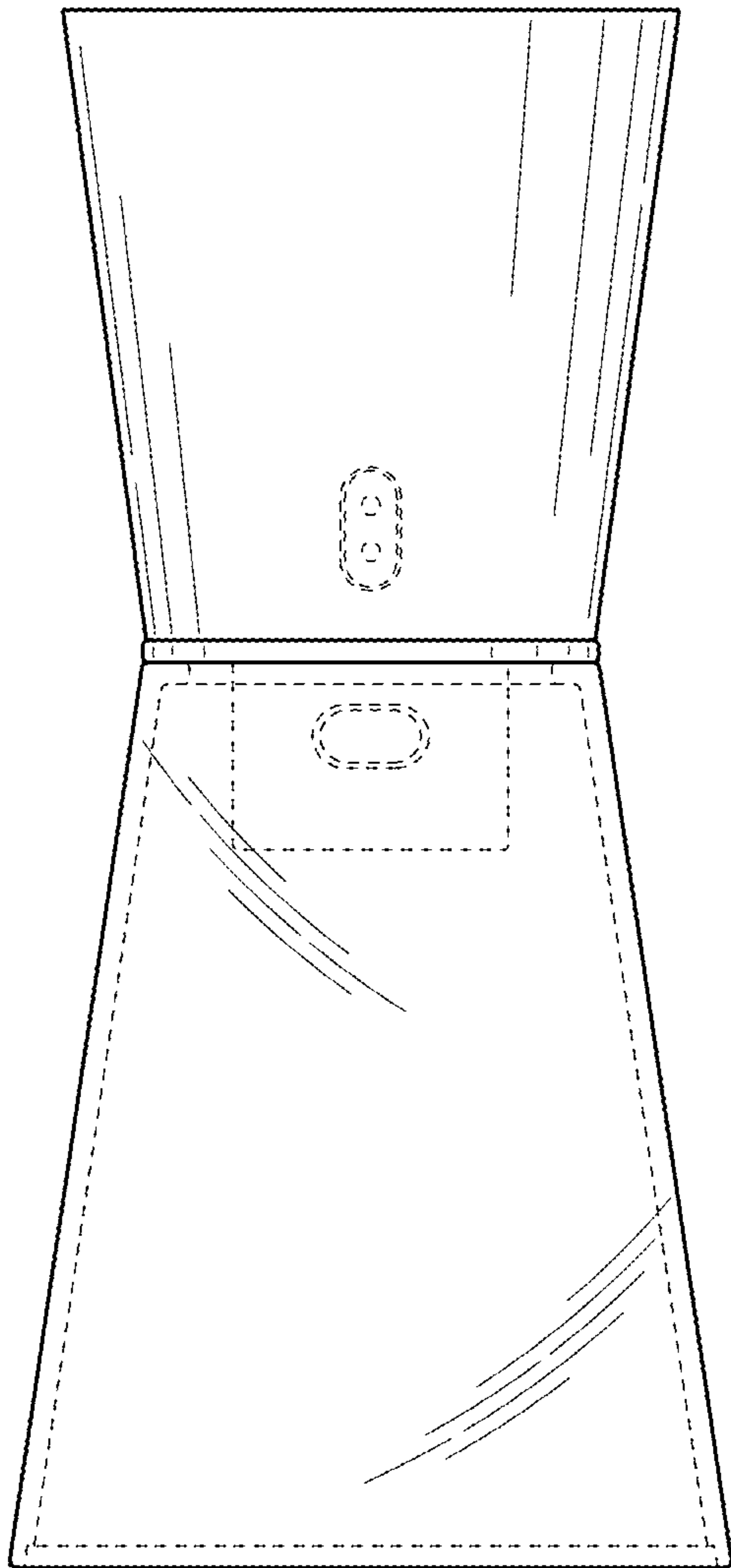


FIG. 4

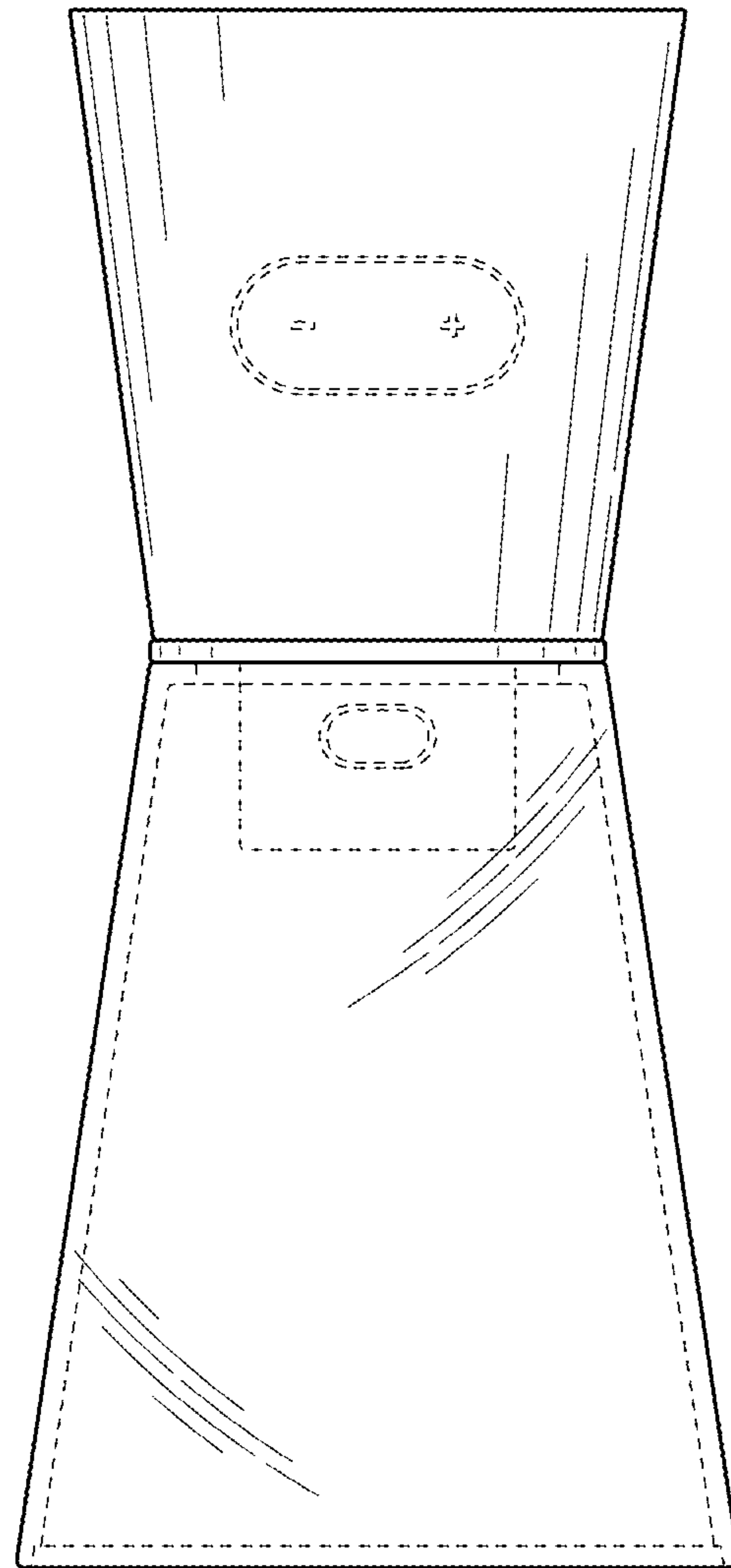


FIG. 5

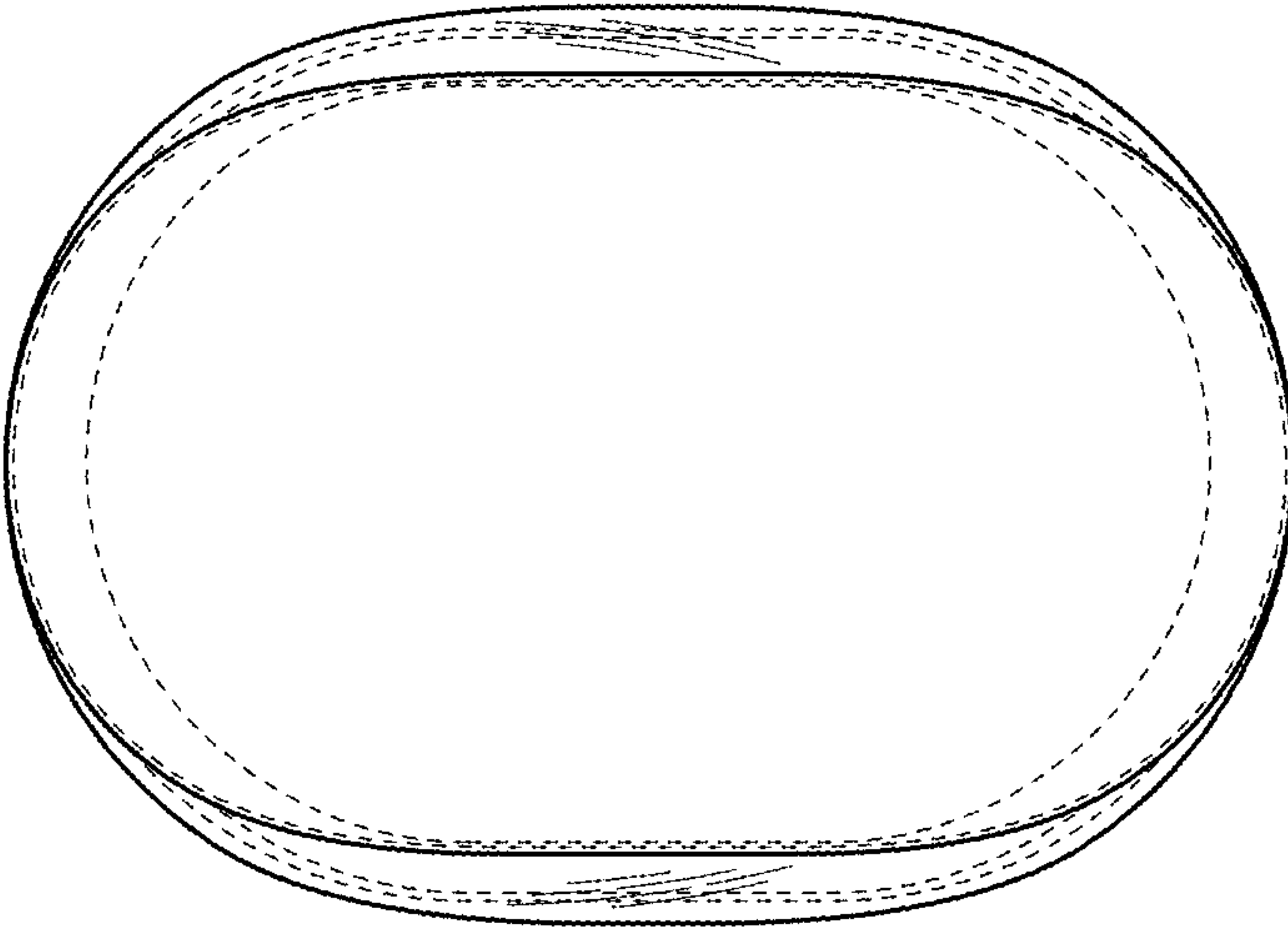


FIG. 6

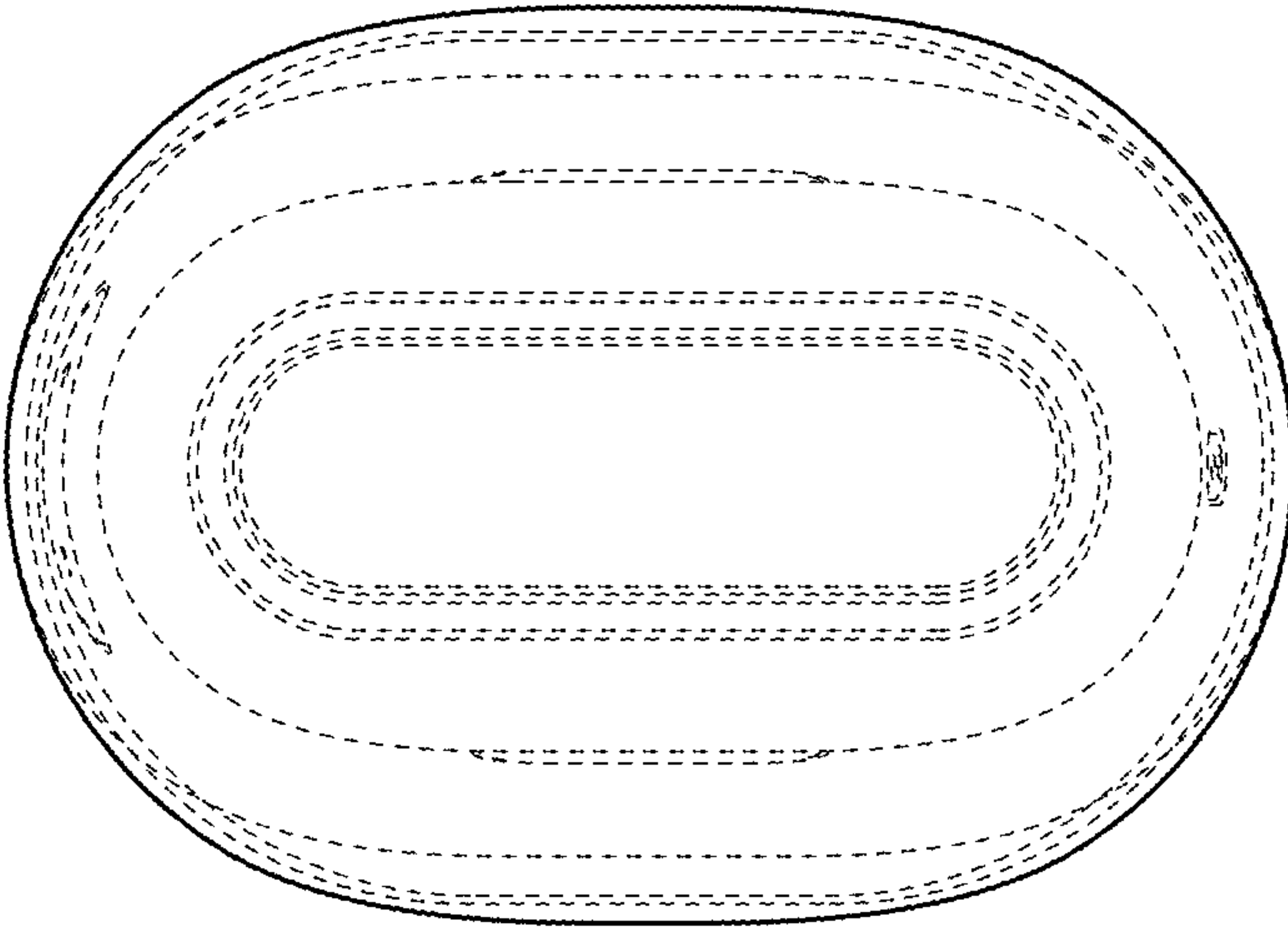


FIG. 7

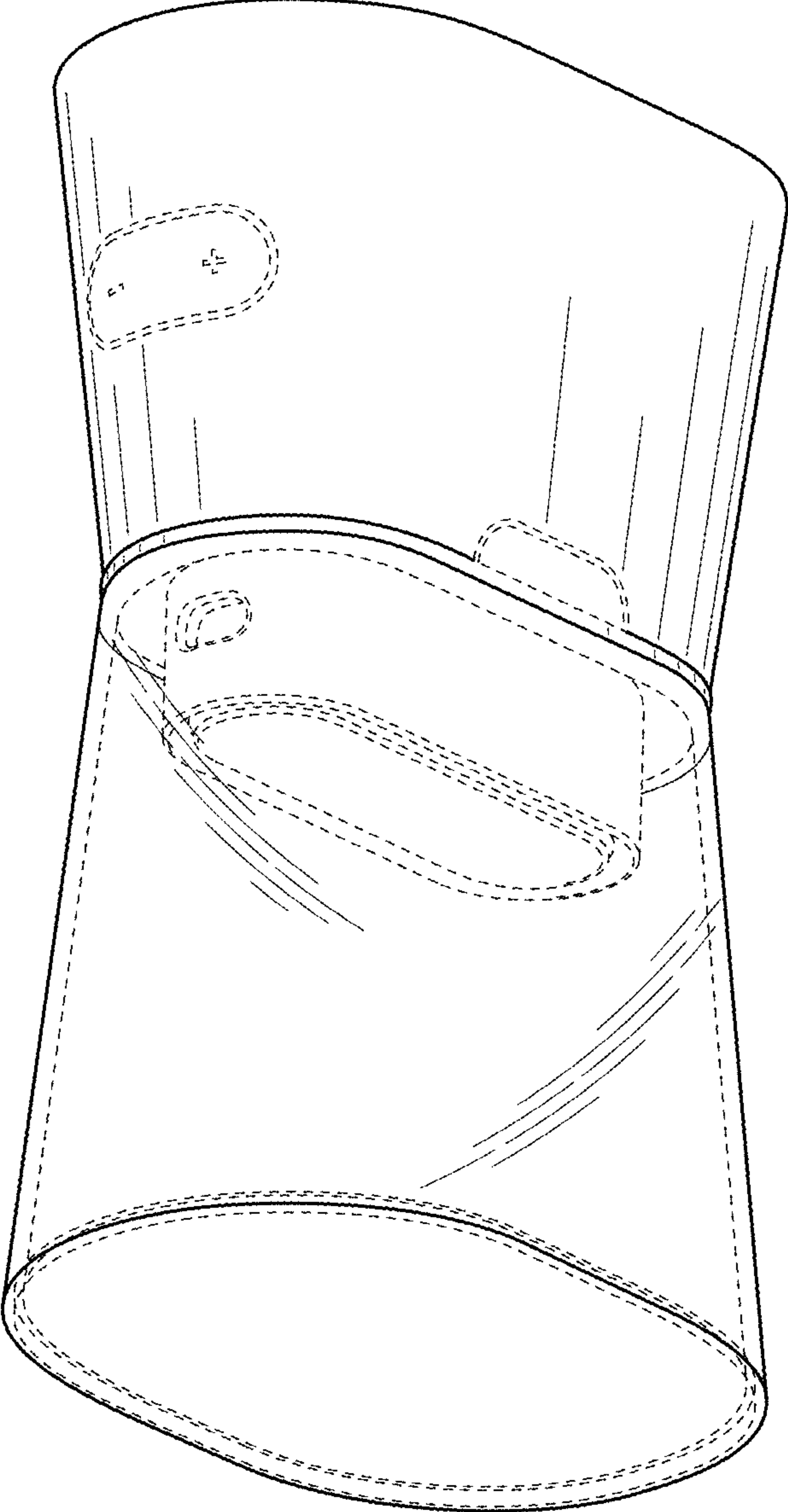


FIG. 8

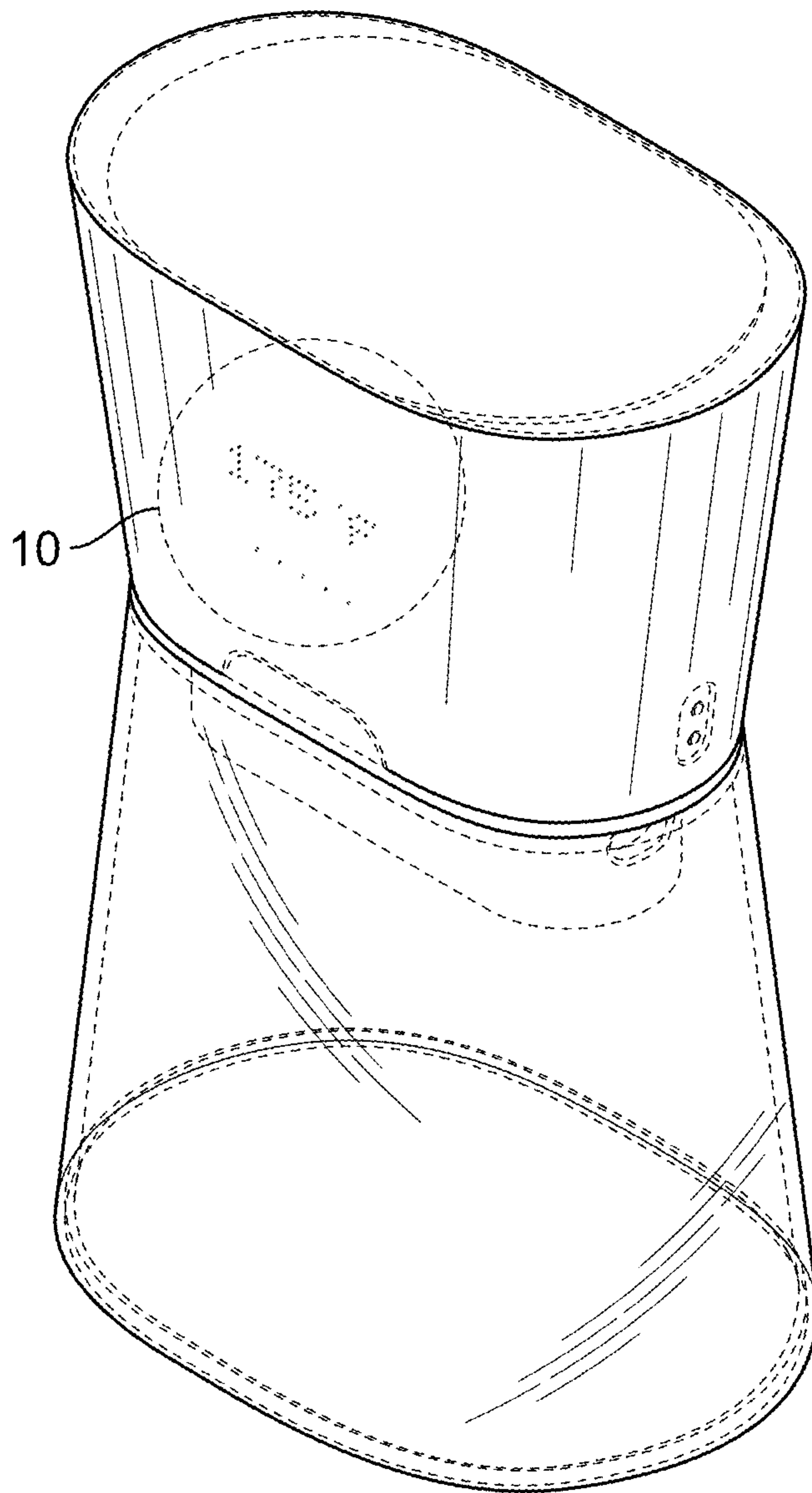


FIG. 9

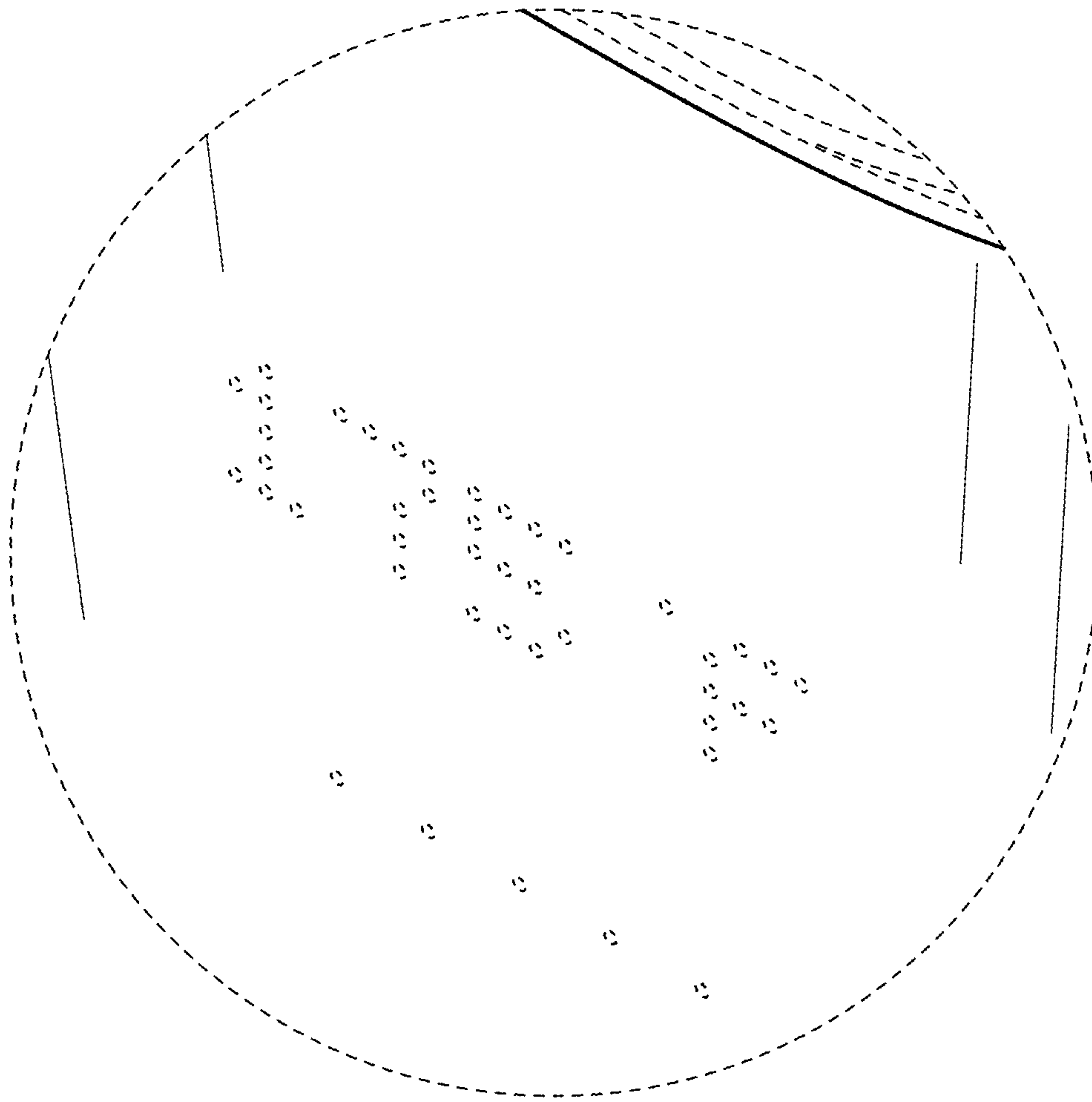


FIG. 10