



US00D979311S

(12) **United States Design Patent** (10) **Patent No.:** **US D979,311 S**
Liu et al. (45) **Date of Patent:** **** Feb. 28, 2023**

- (54) **BEVERAGE CENTER**
- (71) Applicant: **Kohler Co.**, Kohler, WI (US)
- (72) Inventors: **Zhiyu Liu**, Sheboygan, WI (US);
Rafael Alfredo Rexach, Sheboygan, WI (US)
- (73) Assignee: **Kohler Co.**, Kohler, WI (US)
- (**) Term: **15 Years**
- (21) Appl. No.: **29/724,465**
- (22) Filed: **Feb. 14, 2020**
- (51) **LOC (14) Cl.** **07-01**
- (52) **U.S. Cl.**
USPC **D7/306**
- (58) **Field of Classification Search**
USPC D7/300, 304-311, 312, 313, 213, 397,
D7/399, 400; D15/79, 81, 89, 91
CPC A47J 31/00; B67D 1/00; B67D 1/0003;
B67D 1/0004; B67D 1/0005; F25D
23/12; F25D 23/126; Y10T 137/00; Y10T
137/0318; Y10T 137/0379
See application file for complete search history.

(56) **References Cited**
U.S. PATENT DOCUMENTS

D570,636 S	6/2008	Kulujian et al.	
D571,141 S	6/2008	Roosmalen et al.	
D636,214 S *	4/2011	Parker	D7/311
D814,834 S *	4/2018	Price	D6/699.2
D853,169 S *	7/2019	Choi	D7/307
10,399,839 B2	9/2019	Knoll et al.	
D888,485 S *	6/2020	Kim	D23/209
D935,828 S *	11/2021	Sanderson	D7/412
D948,904 S *	4/2022	Park	D7/311

D950,293 S * 5/2022 Braukmann B01D 35/30
D7/311
D955,798 S * 6/2022 Duran D7/311
2019/0389740 A1* 12/2019 Choi B01D 35/30

* cited by examiner

Primary Examiner — Andrew Kerr
(74) *Attorney, Agent, or Firm* — Patterson Thunte, P.A.

(57) **CLAIM**

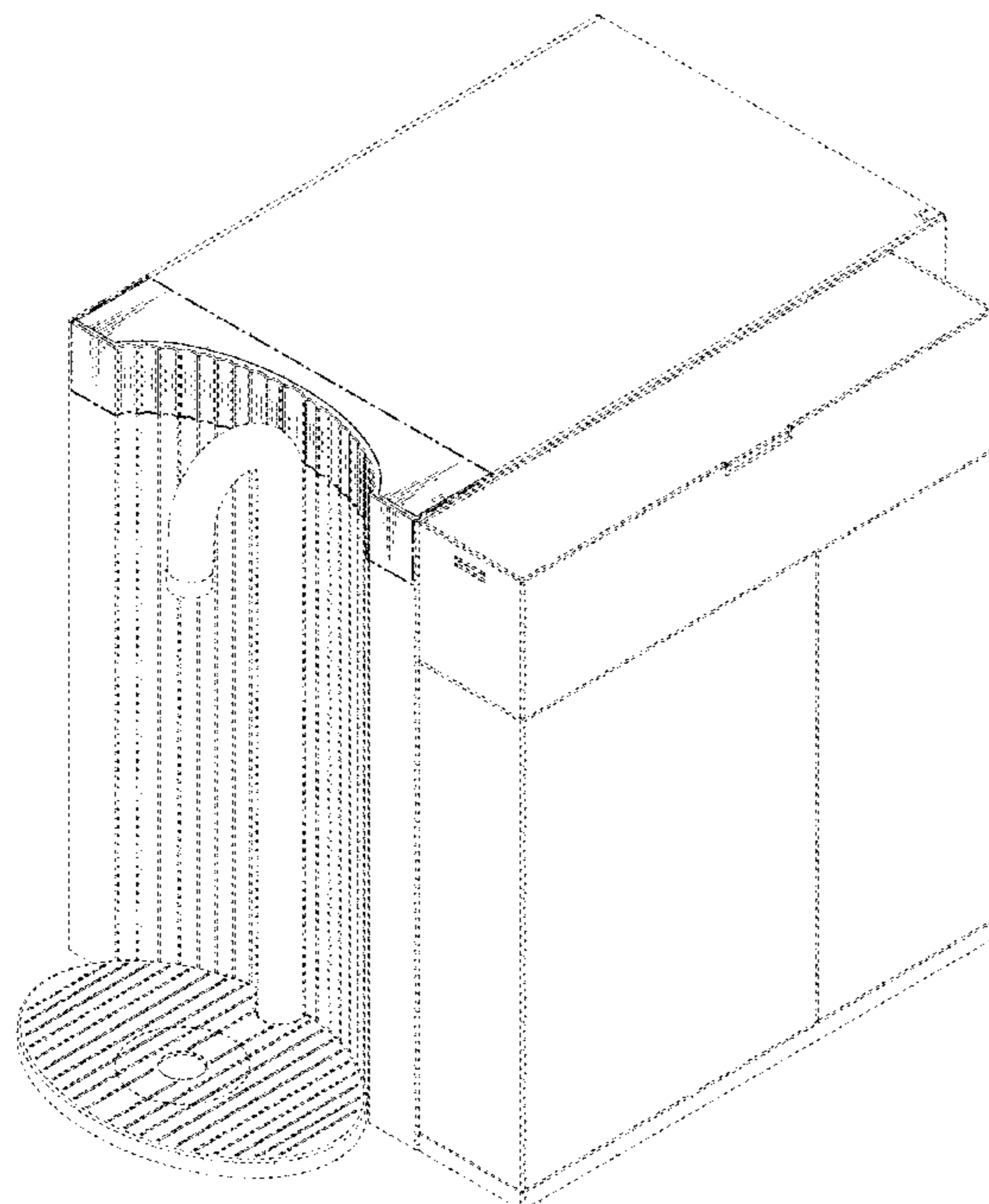
We claim the ornamental design for a beverage center, as shown and described.

DESCRIPTION

FIG. 1 is a perspective view of a first embodiment of a beverage center showing our new design;
 FIG. 2 is a front view thereof;
 FIG. 3 is a rear view thereof;
 FIG. 4 is a side view thereof;
 FIG. 5 is another side view thereof;
 FIG. 6 is a top view thereof;
 FIG. 7 is a bottom view thereof;
 FIG. 8 is a perspective view of a second embodiment of a beverage center showing our new design;
 FIG. 9 is a front view thereof;
 FIG. 10 is a rear view thereof;
 FIG. 11 is a side view thereof;
 FIG. 12 is another side view thereof;
 FIG. 13 is a top view thereof; and,
 FIG. 14 is a bottom view thereof.

The even spaced broken lines in the drawings depict portions of the beverage center that form no part of the claimed design. The dash-dot broken lines in the drawings define the bounds of the claimed design and form no part thereof.

1 Claim, 14 Drawing Sheets



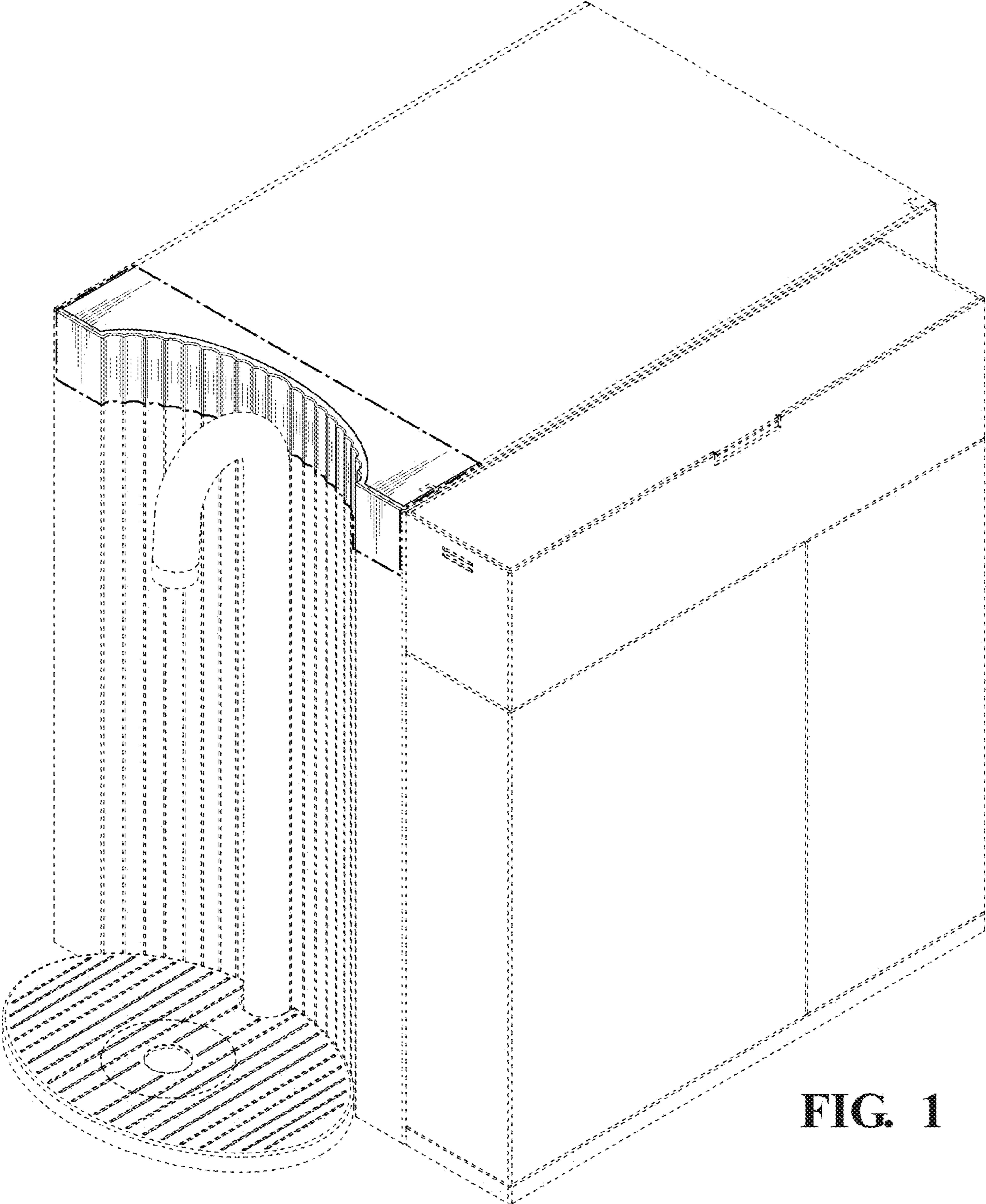


FIG. 1

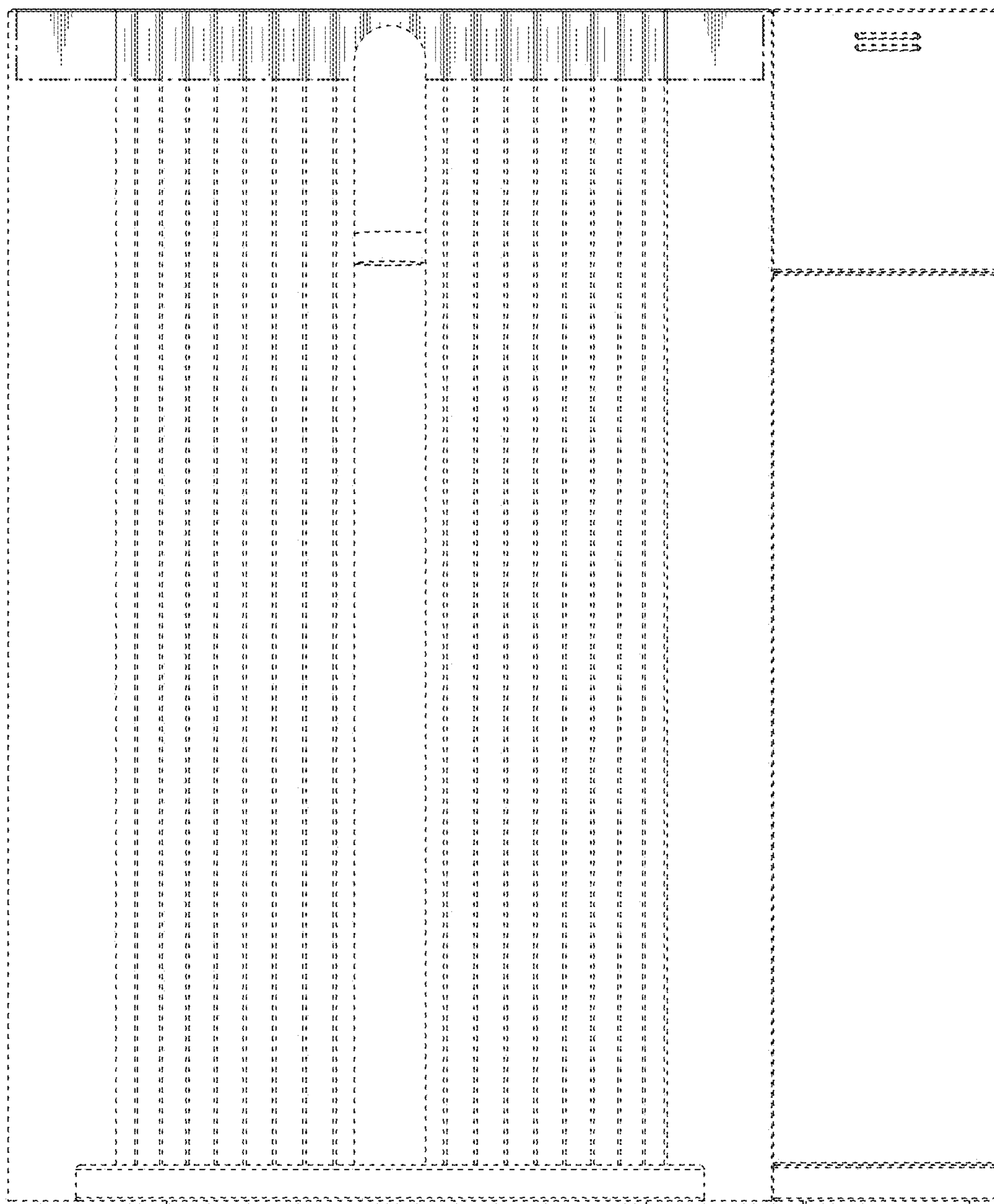


FIG. 2

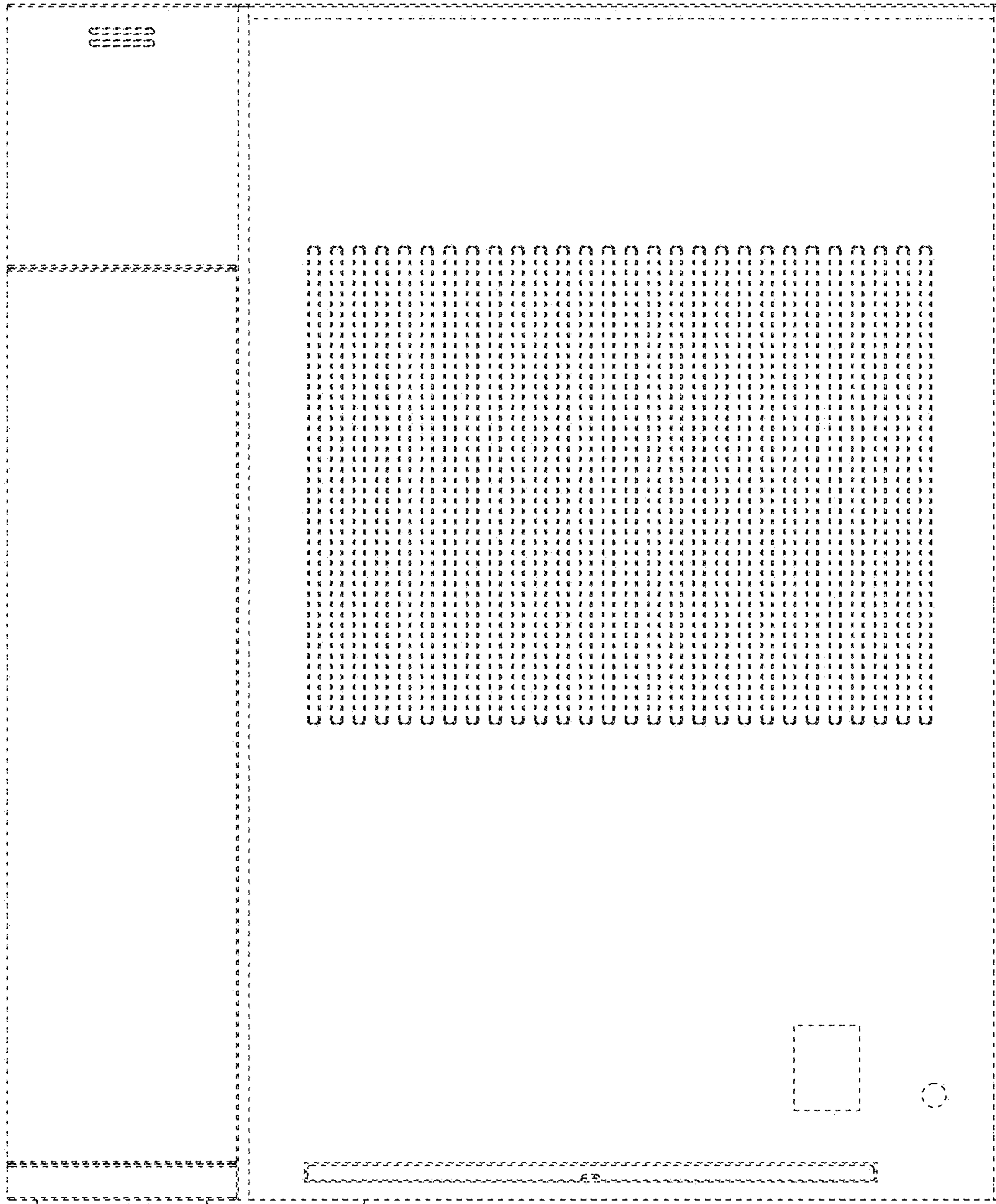
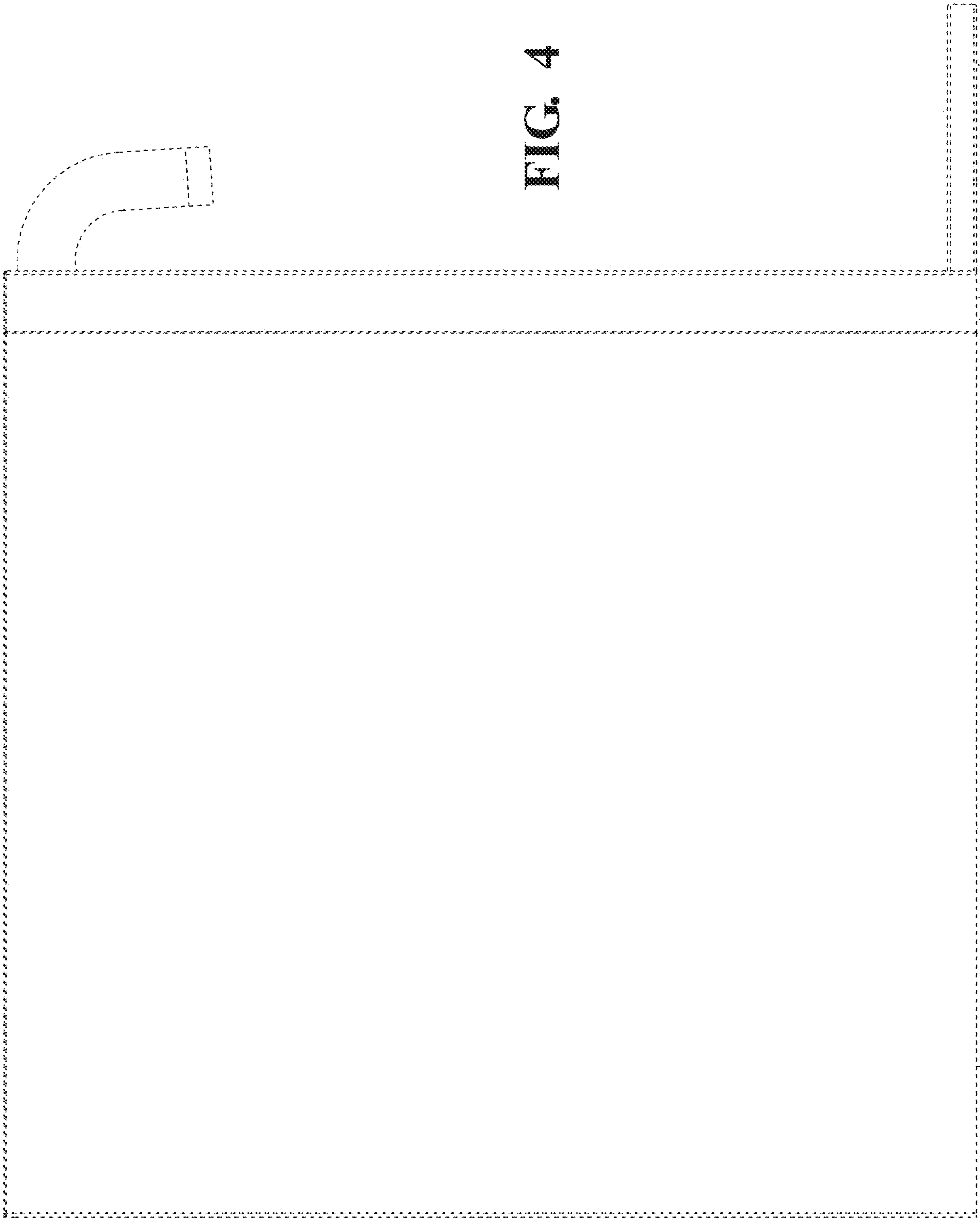


FIG. 3

FIG. 4



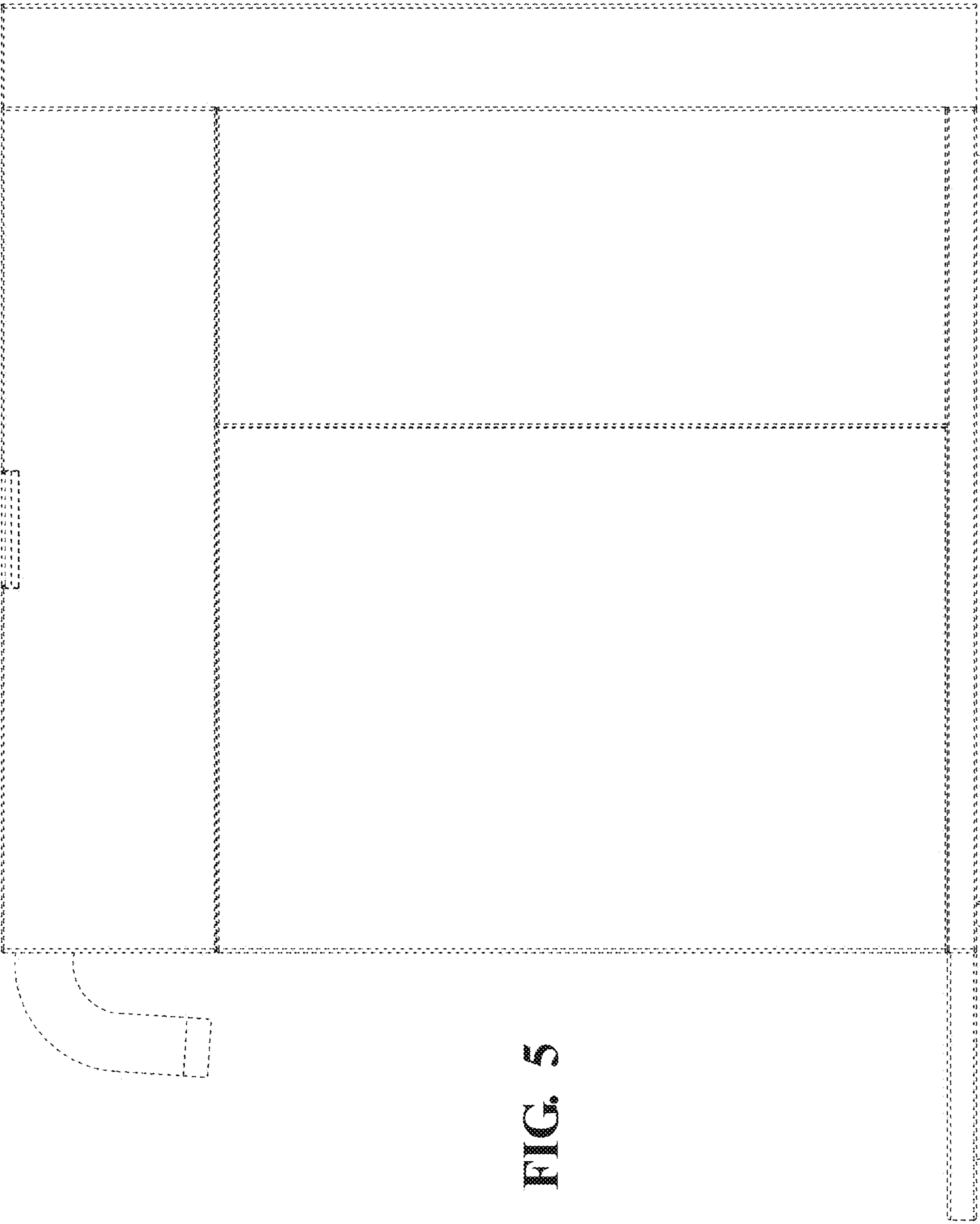


FIG. 5

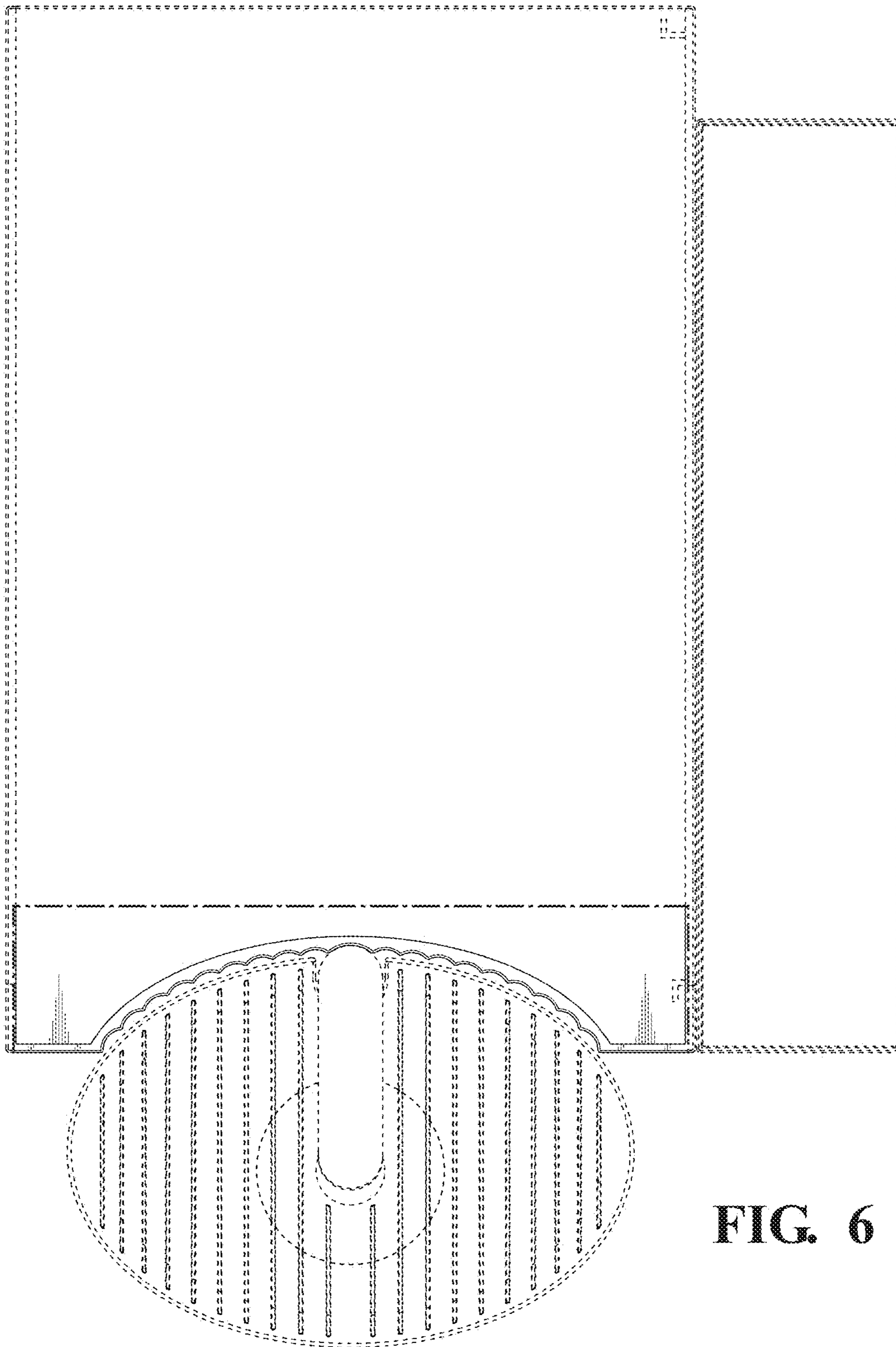


FIG. 6

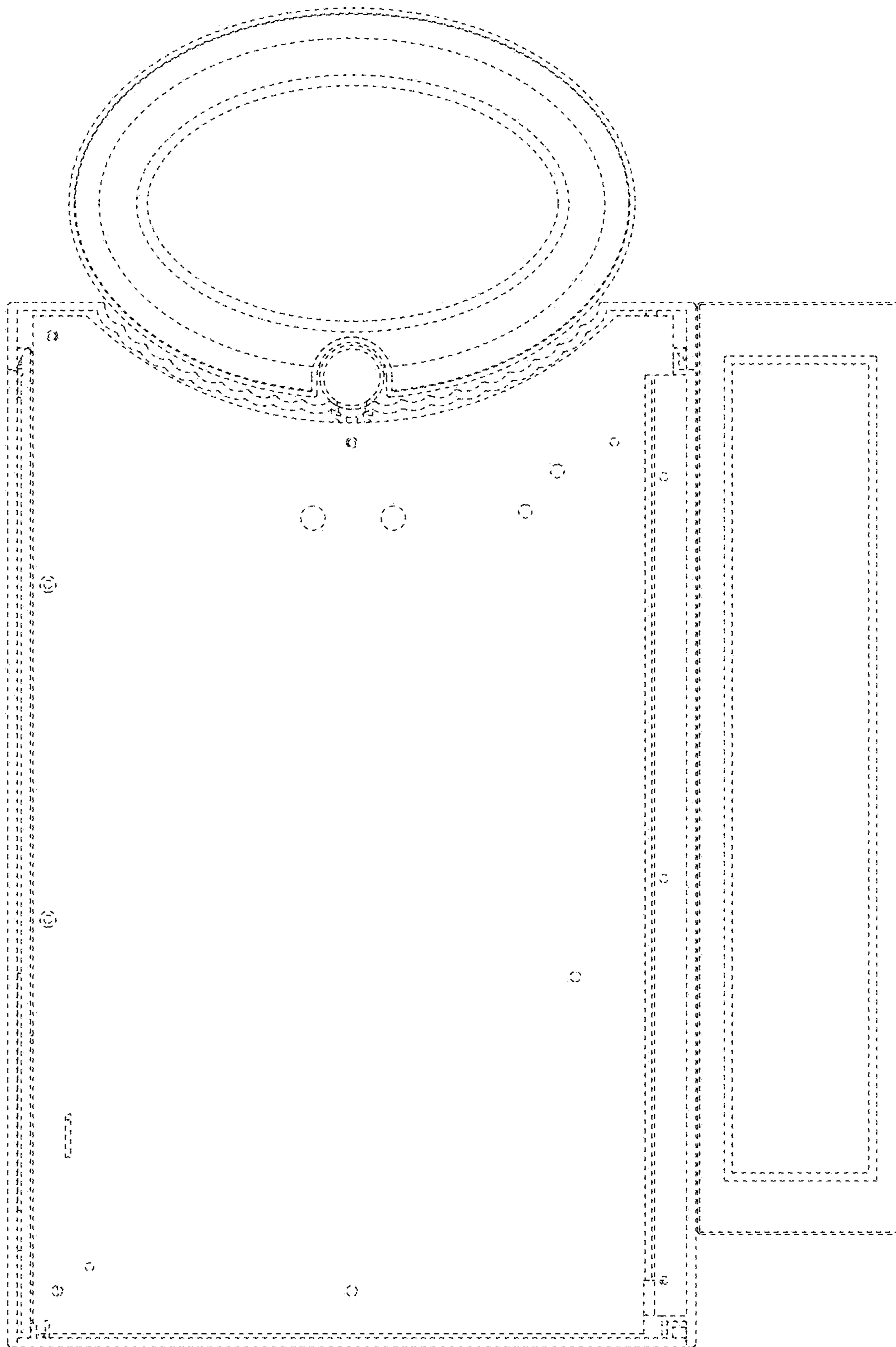


FIG. 7

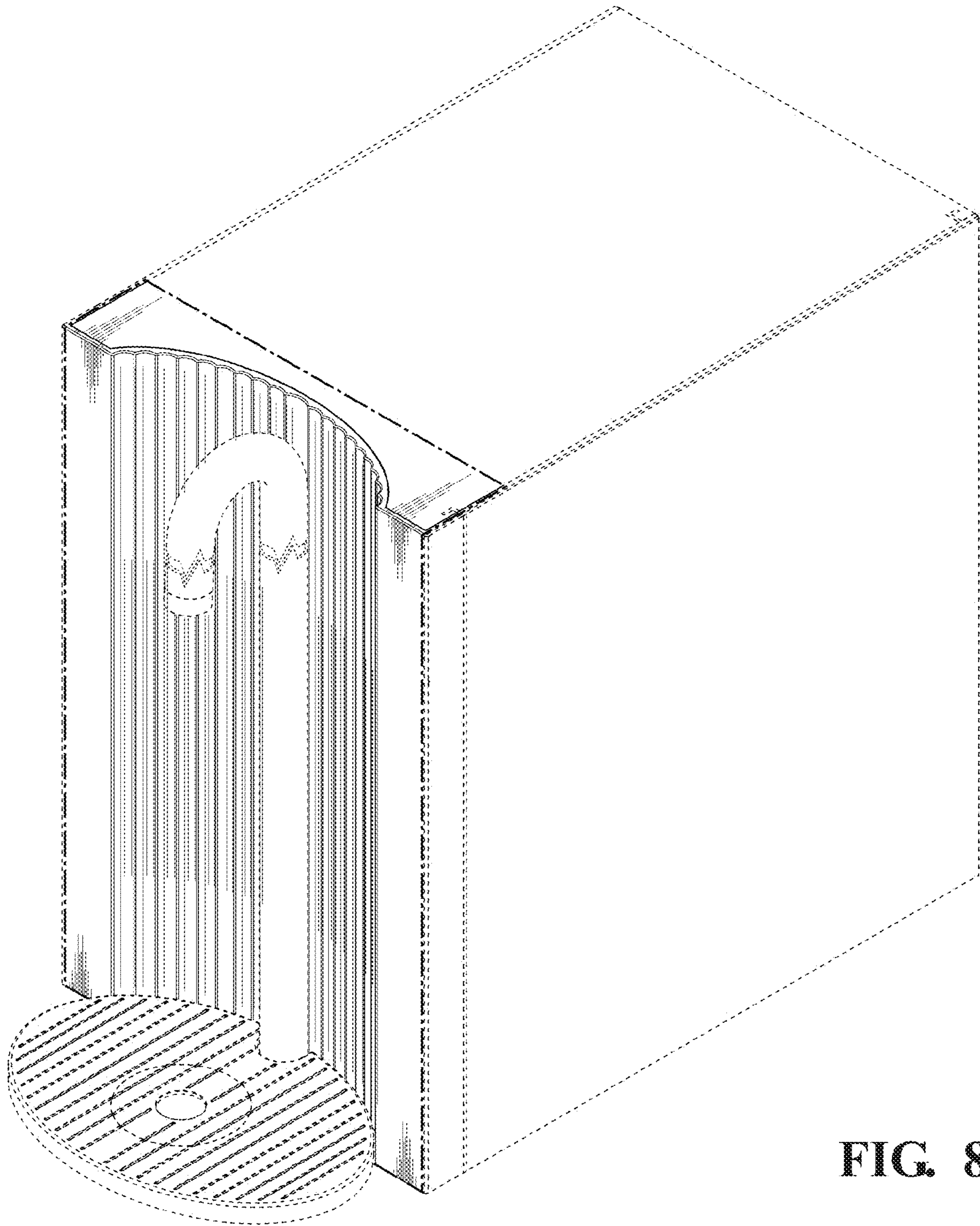


FIG. 8

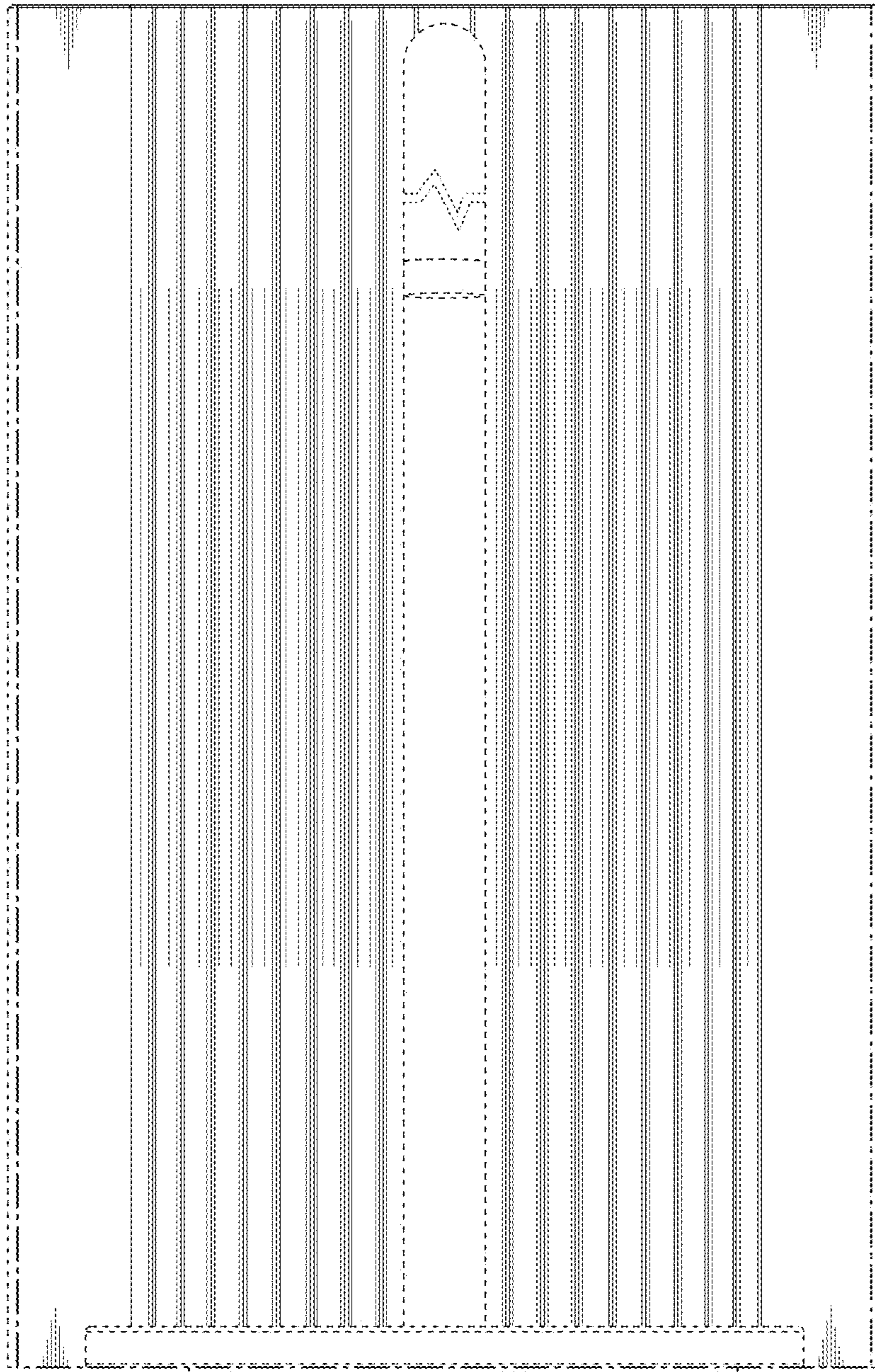


FIG. 9

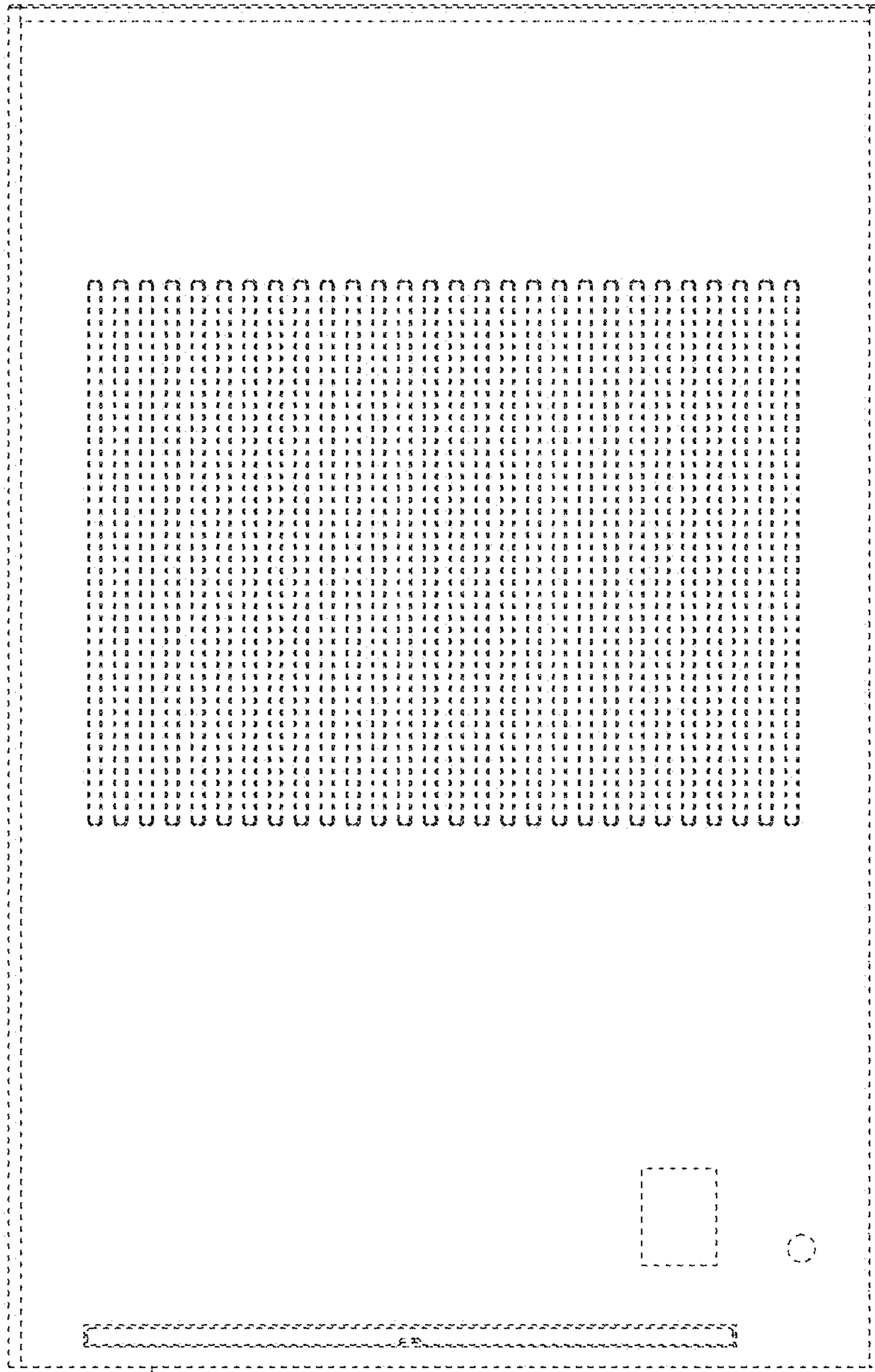
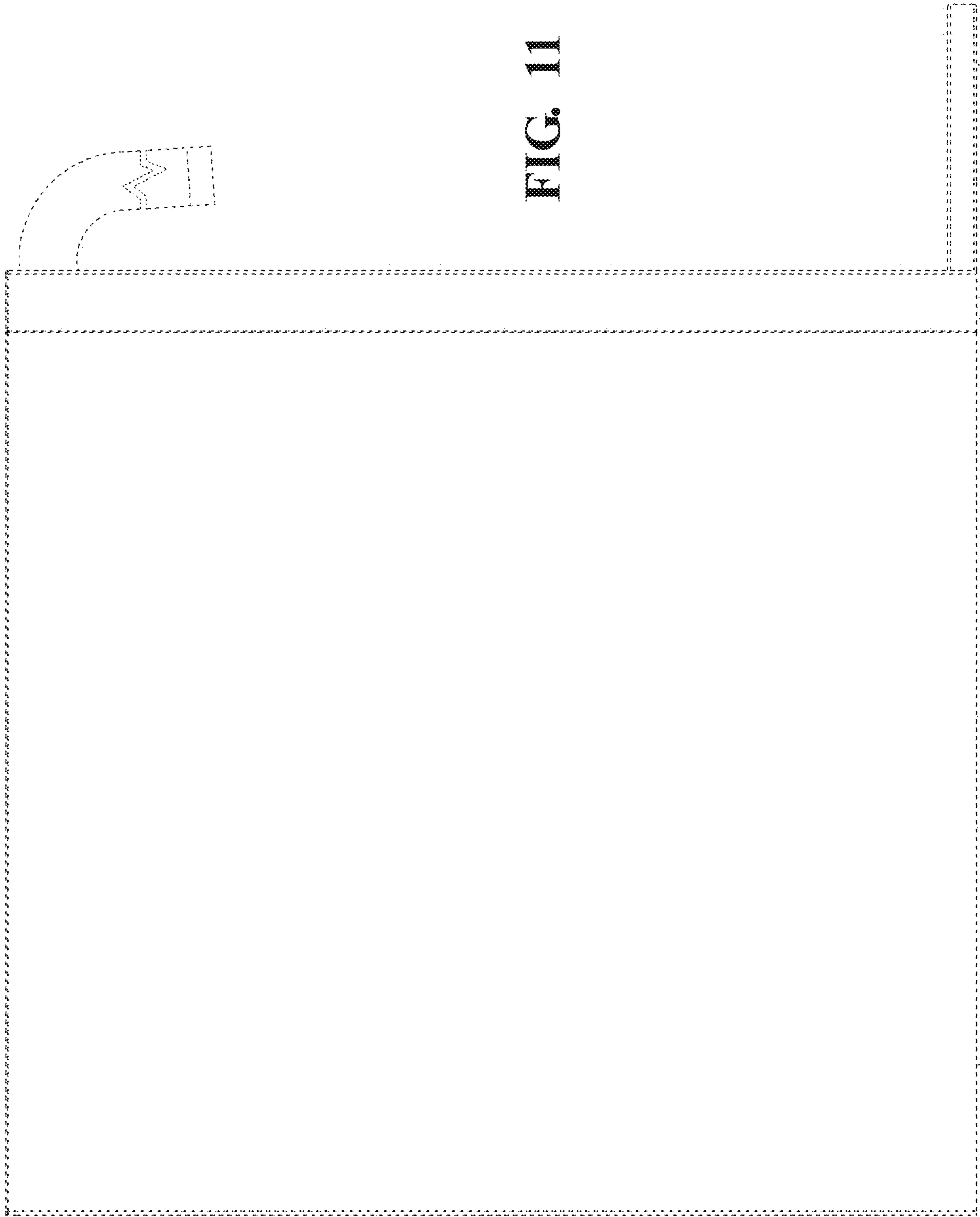


FIG. 10

FIG. 11



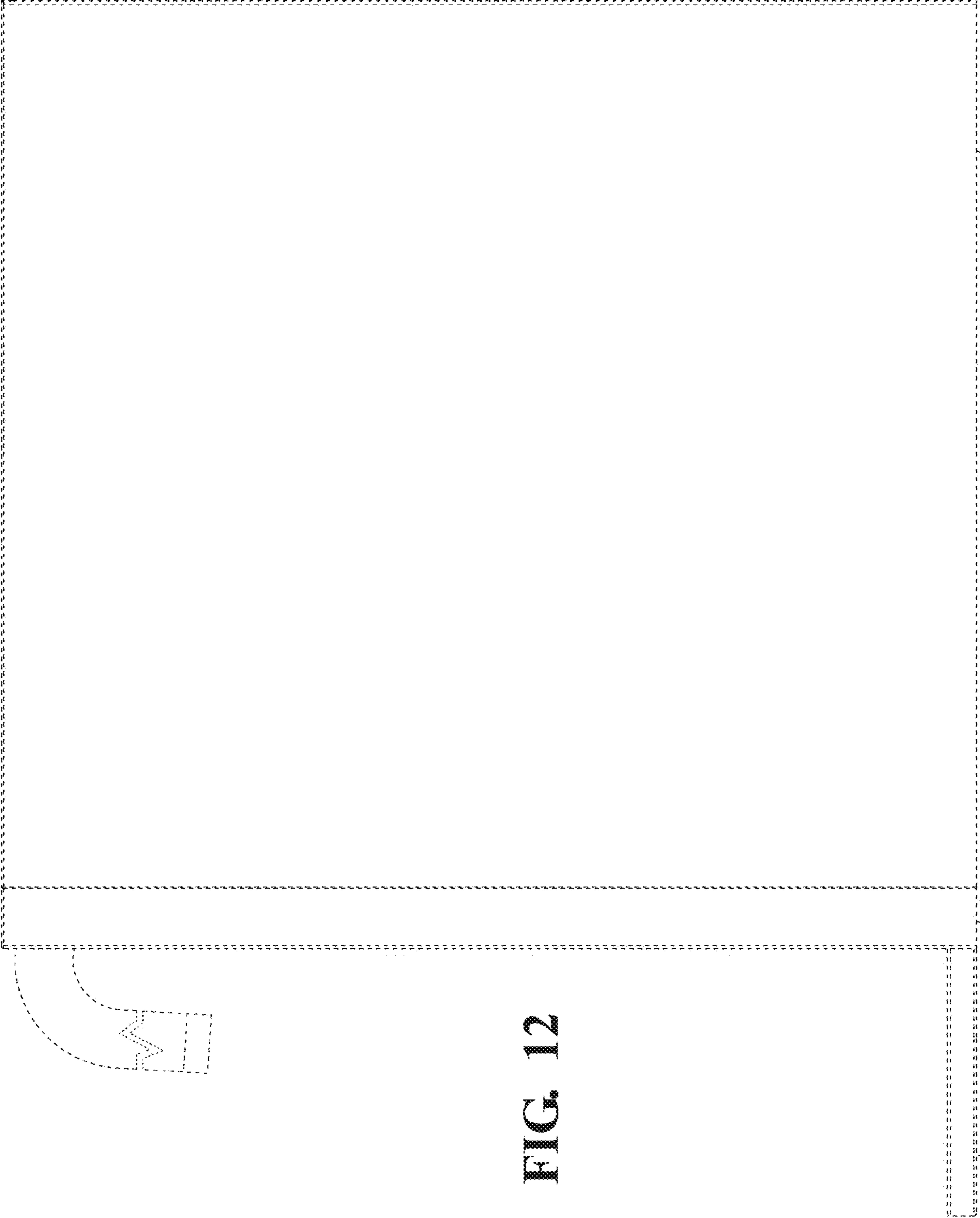


FIG. 12

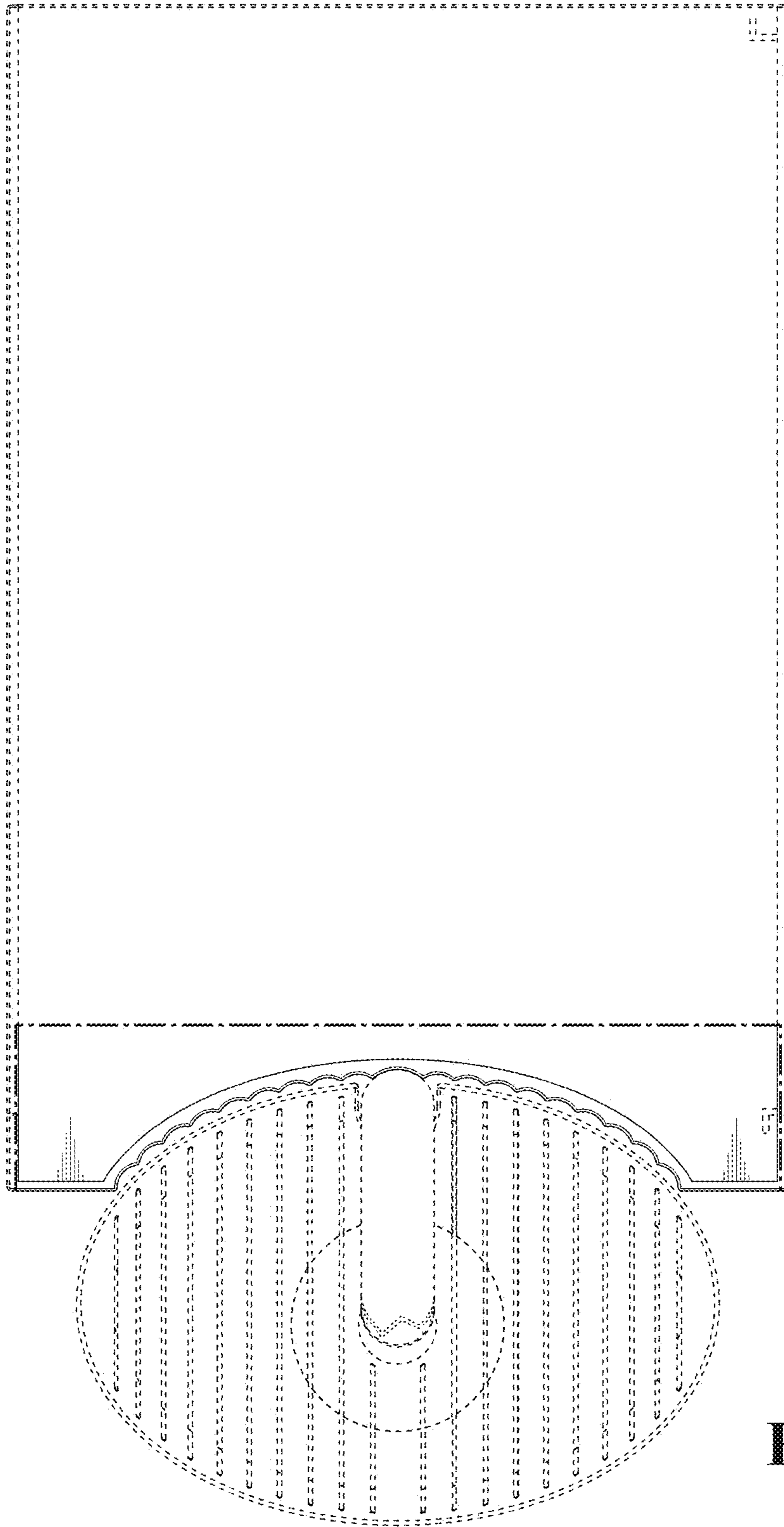


FIG. 13

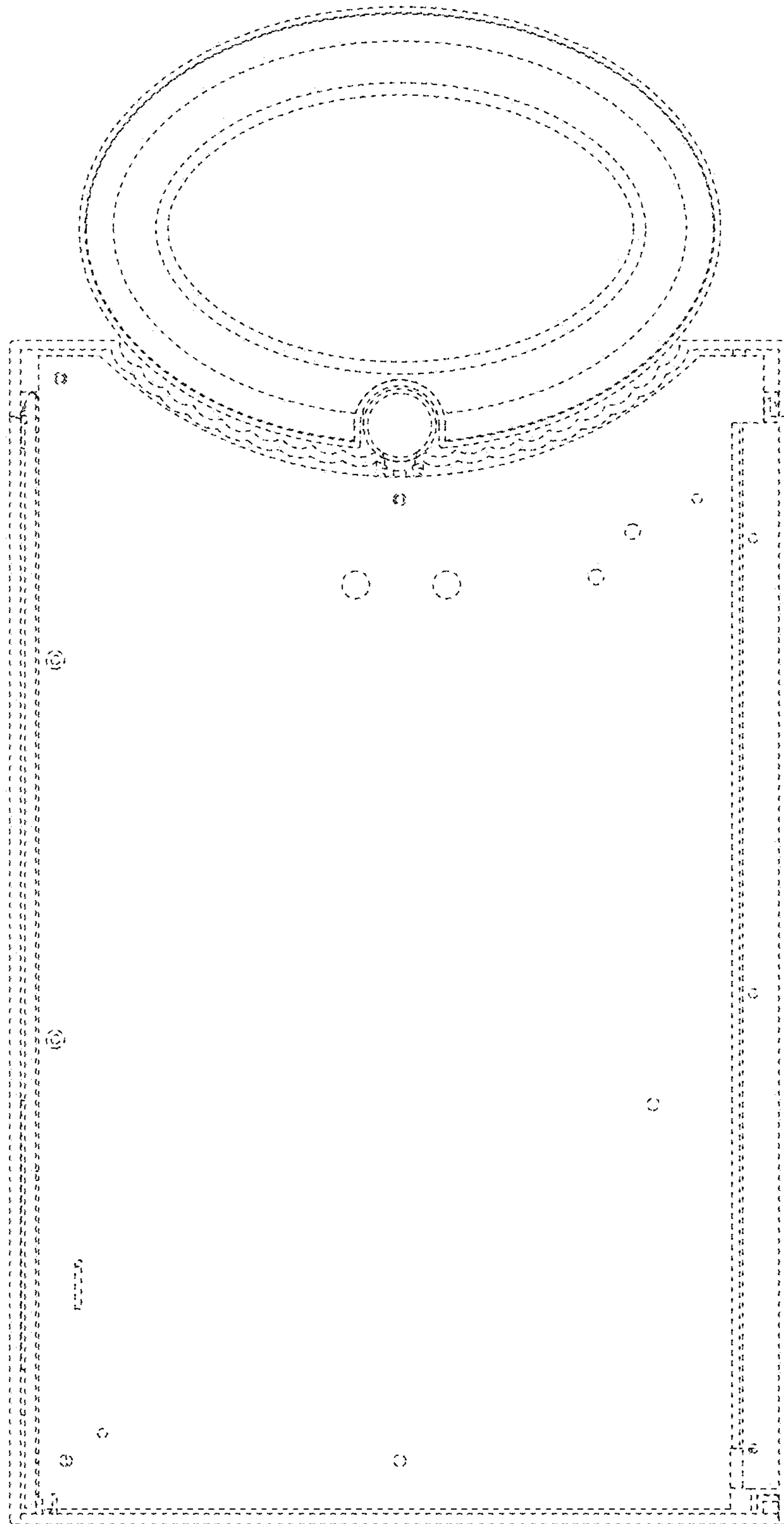


FIG. 14