



US00D979310S

(12) **United States Design Patent**
Tang et al.

(10) **Patent No.:** **US D979,310 S**

(45) **Date of Patent:** **** Feb. 28, 2023**

(54) **ARMREST**

(71) Applicant: **eMoMo Technology Co., Ltd.**, Baoan (CN)

(72) Inventors: **Wenji Tang**, Shenzhen (CN); **Jeffrey S. Collier**, Los Angeles, CA (US)

(73) Assignee: **eMoMo Technology Co., Ltd.**, Baoan (CN)

(**) Term: **15 Years**

(21) Appl. No.: **29/754,485**

(22) Filed: **Oct. 12, 2020**

Related U.S. Application Data

(63) Continuation-in-part of application No. 29/729,633, filed on Mar. 28, 2020.

(51) **LOC (14) Cl.** **06-07**

(52) **U.S. Cl.**
USPC **D6/716.2**

(58) **Field of Classification Search**
USPC D6/329, 406.1, 687, 716, 716.2, 334,
D6/356, 381, 686, 512, 513; D12/415,
D12/416, 419, 421

CPC B60N 2/79; B60N 2/793; A47C 7/624;
A47C 7/546

See application file for complete search history.

(56) **References Cited**

U.S. PATENT DOCUMENTS

D240,869 S *	8/1976	Marr	D12/419
D260,823 S	9/1981	Stulik, Jr.		
D317,674 S *	6/1991	Smith	D12/419
D323,932 S *	2/1992	Hudgens	D12/419
D358,578 S *	5/1995	Walker	D12/419
D358,956 S *	6/1995	Mitjans	D6/716.2

D359,945 S *	7/1995	Cameron	D12/421
D374,856 S *	10/1996	Berninger	D12/419
D376,345 S *	12/1996	Hough	D12/421
D423,836 S *	5/2000	Bergin	D6/716.2
D442,375 S	5/2001	Stammberger		
D448,580 S	10/2001	Carlson		
D455,018 S	4/2002	Myers et al.		
D457,363 S *	5/2002	Fisher	D6/716.2
D535,484 S	1/2007	May		
D541,064 S	4/2007	Miller et al.		
D551,869 S	10/2007	Zambelli		
D572,916 S	7/2008	Galardo et al.		
D580,664 S	11/2008	Cramer et al.		
D622,516 S	8/2010	Delmestri		
7,766,293 B2	8/2010	Seidl et al.		
D654,708 S	2/2012	Mitjans		

(Continued)

FOREIGN PATENT DOCUMENTS

JP 2006149465 A * 6/2006

Primary Examiner — Deanna L Pratt

(74) *Attorney, Agent, or Firm* — Moyles IP, LLC

(57) **CLAIM**

We claim the ornamental design of an armrest, as shown and described.

DESCRIPTION

FIG. 1 is a front, top perspective view of an armrest showing an embodiment of our new design;

FIG. 2 is a top plan view of the armrest of FIG. 1;

FIG. 3 is a bottom plan view of the armrest of FIG. 1;

FIG. 4 is a left-side elevated view of the armrest of FIG. 1;

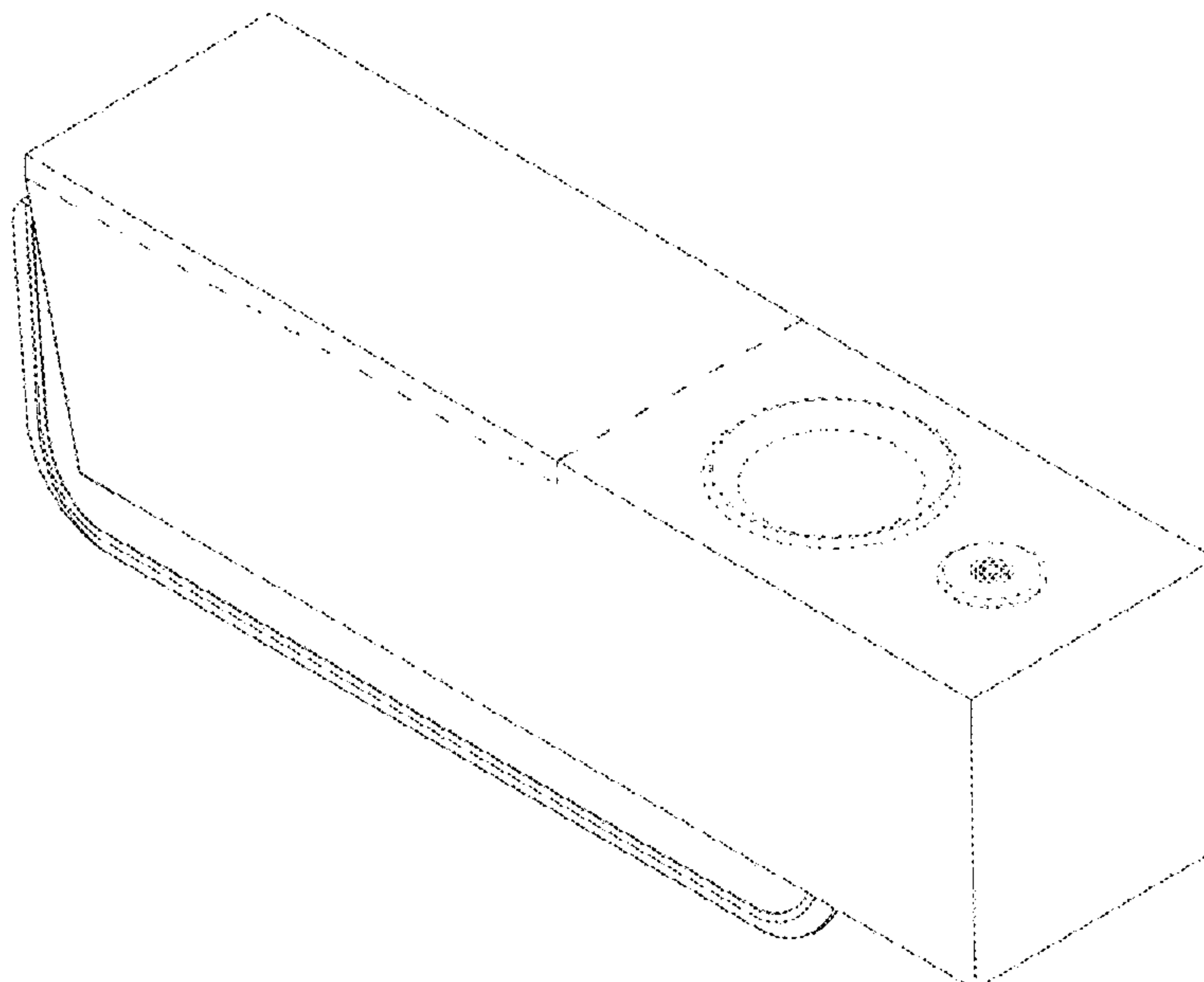
FIG. 5 is a right-side elevated view of the armrest of FIG. 1;

FIG. 6 is a front elevated view of the armrest of FIG. 1; and,

FIG. 7 is a rear elevated view of the armrest of FIG. 1.

The broken lines in the drawings illustrate portions of the armrest that form no part of the claimed design.

1 Claim, 7 Drawing Sheets



(56)

References Cited

U.S. PATENT DOCUMENTS

D699,043	S	2/2014	McNae	
8,807,051	B2 *	8/2014	Johnson B60N 2/787 108/43
D716,564	S	11/2014	Dix	
D723,829	S	3/2015	Dix	
D726,469	S	4/2015	Dix	
D740,575	S	10/2015	Scott	
D760,504	S *	7/2016	Dix D6/334
D782,218	S *	3/2017	Dix D6/381
D786,597	S *	5/2017	Gao D6/716.2
D804,210	S	12/2017	Pons	
9,895,000	B2	2/2018	Hassman	
D818,282	S	5/2018	Li	
D836,351	S *	12/2018	King D6/686
D883,685	S *	5/2020	Carter D6/336
D894,655	S *	9/2020	Cook D6/716.2
D898,389	S *	10/2020	Rottet D6/338
D922,305	S *	6/2021	Yuhasz D12/419
D941,602	S *	1/2022	Lin D6/381
2022/0022656	A1 *	1/2022	Zhao A47C 7/541

* cited by examiner

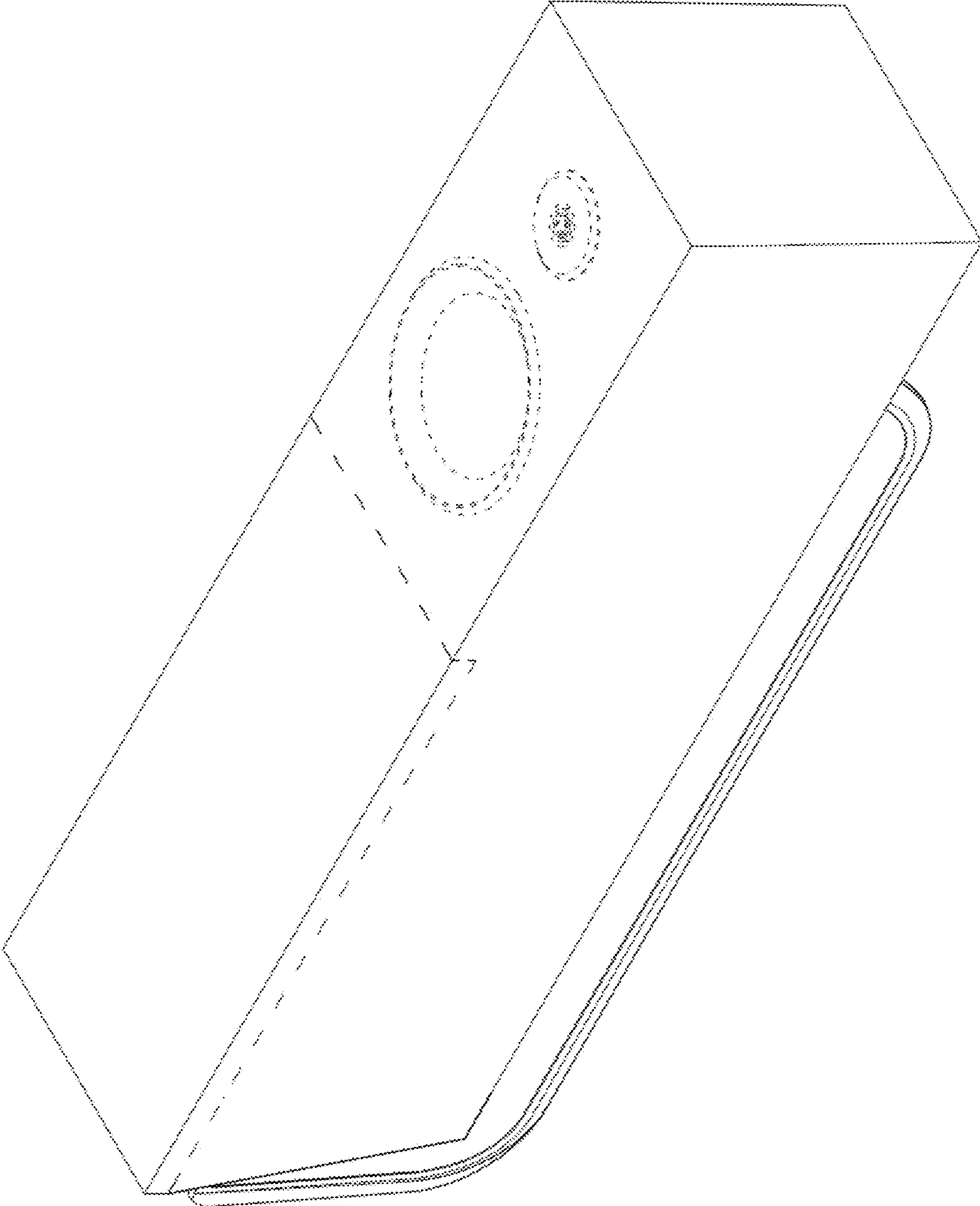


FIG. 1

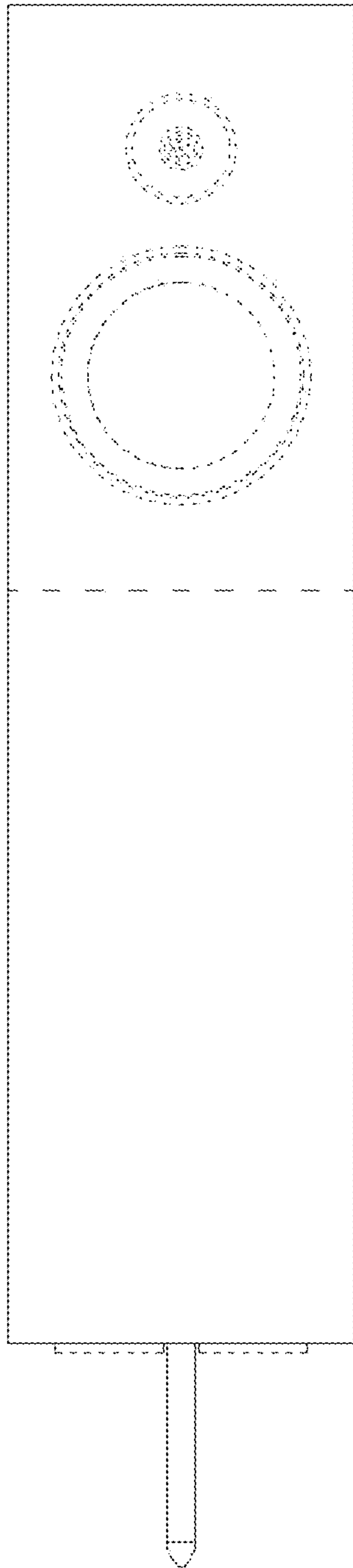


FIG. 2

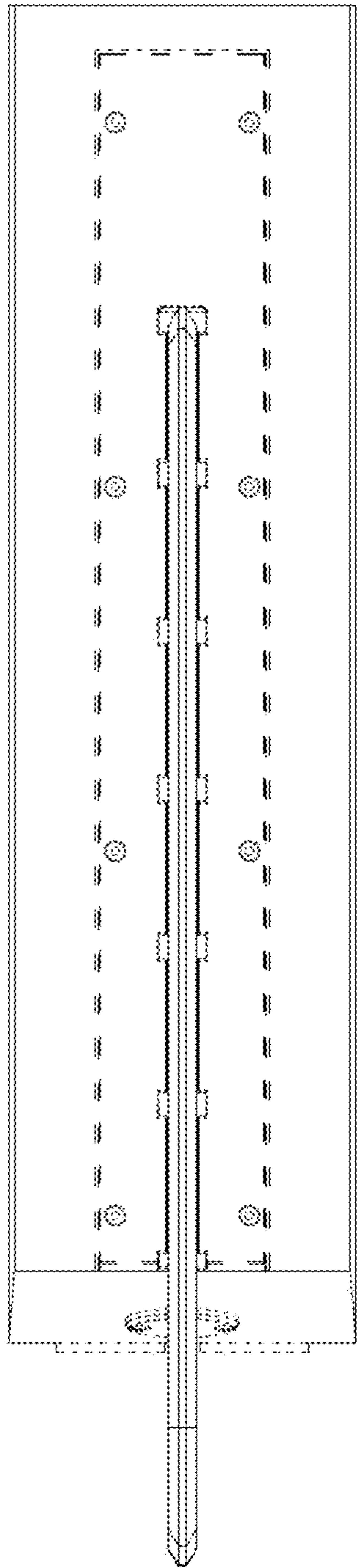


FIG. 3

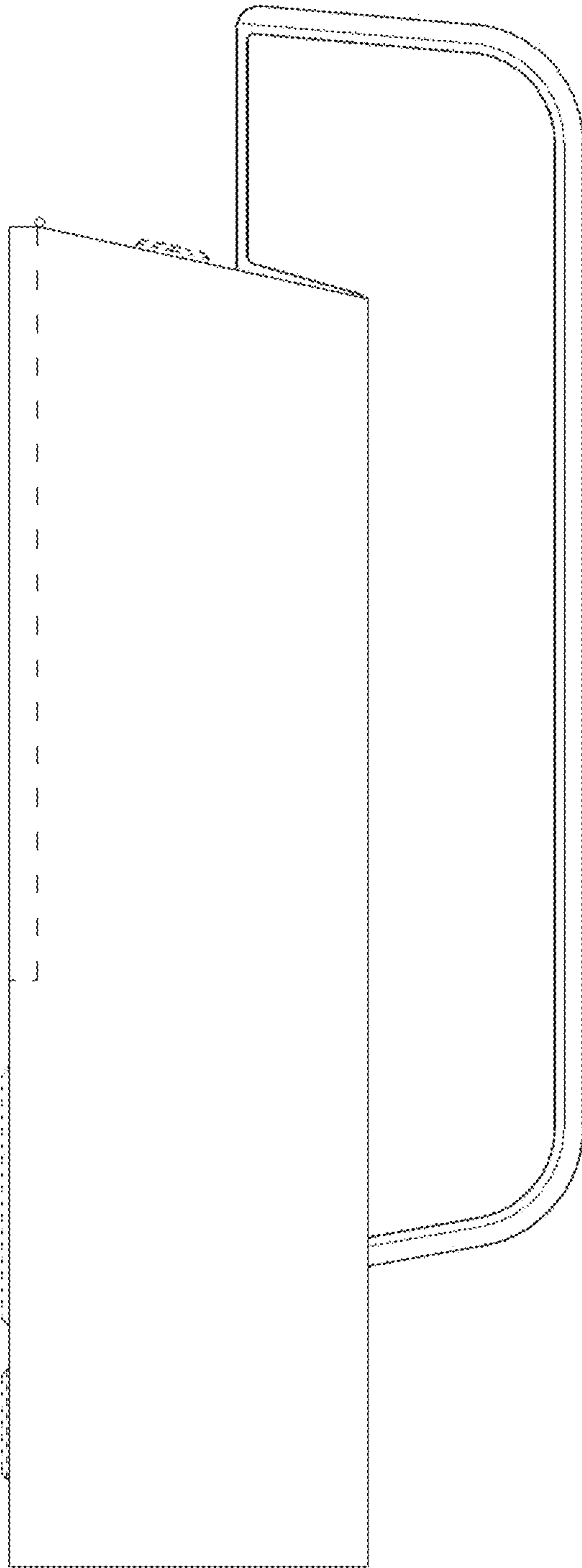


FIG. 4

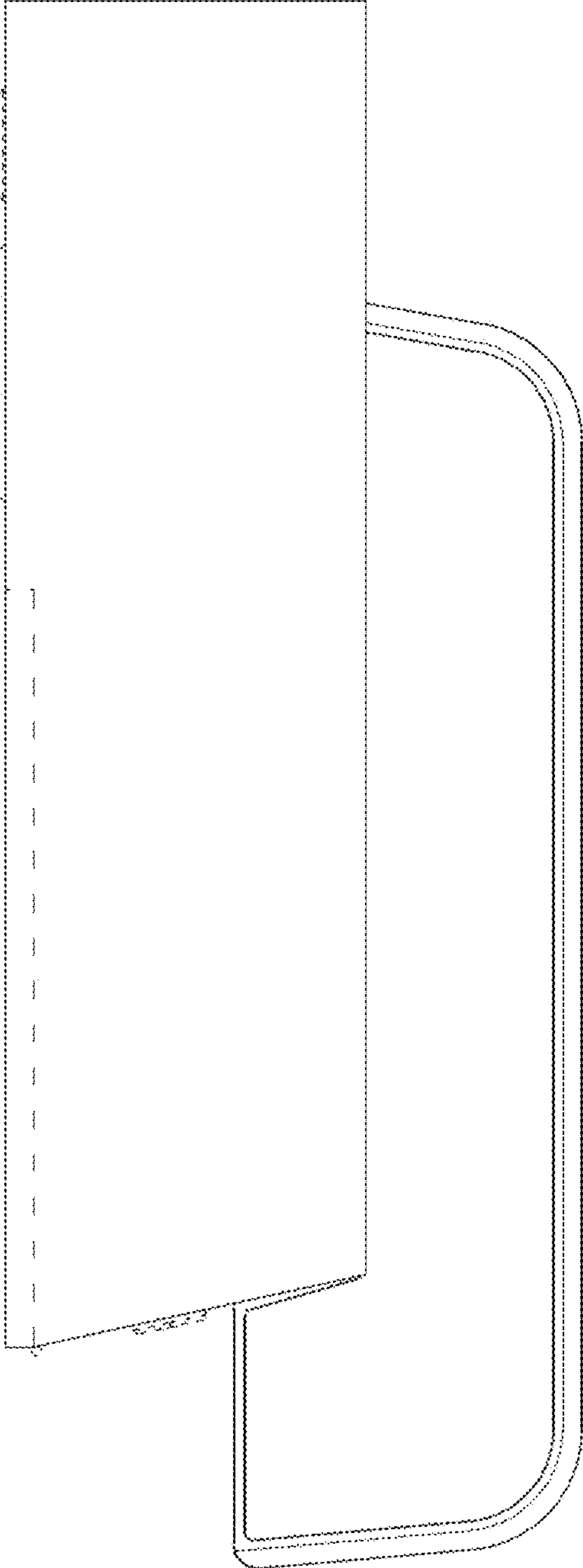


FIG. 5

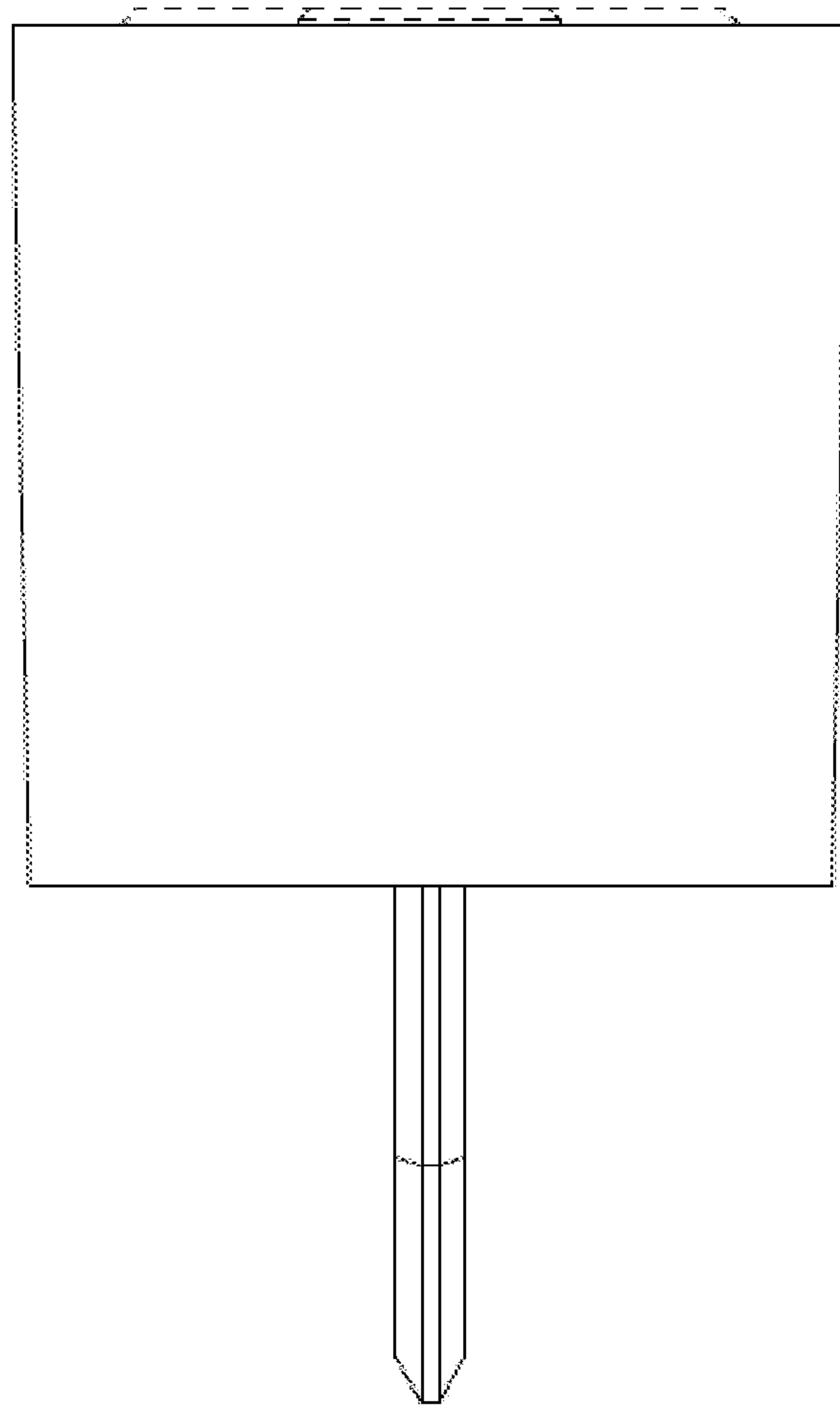


FIG. 6

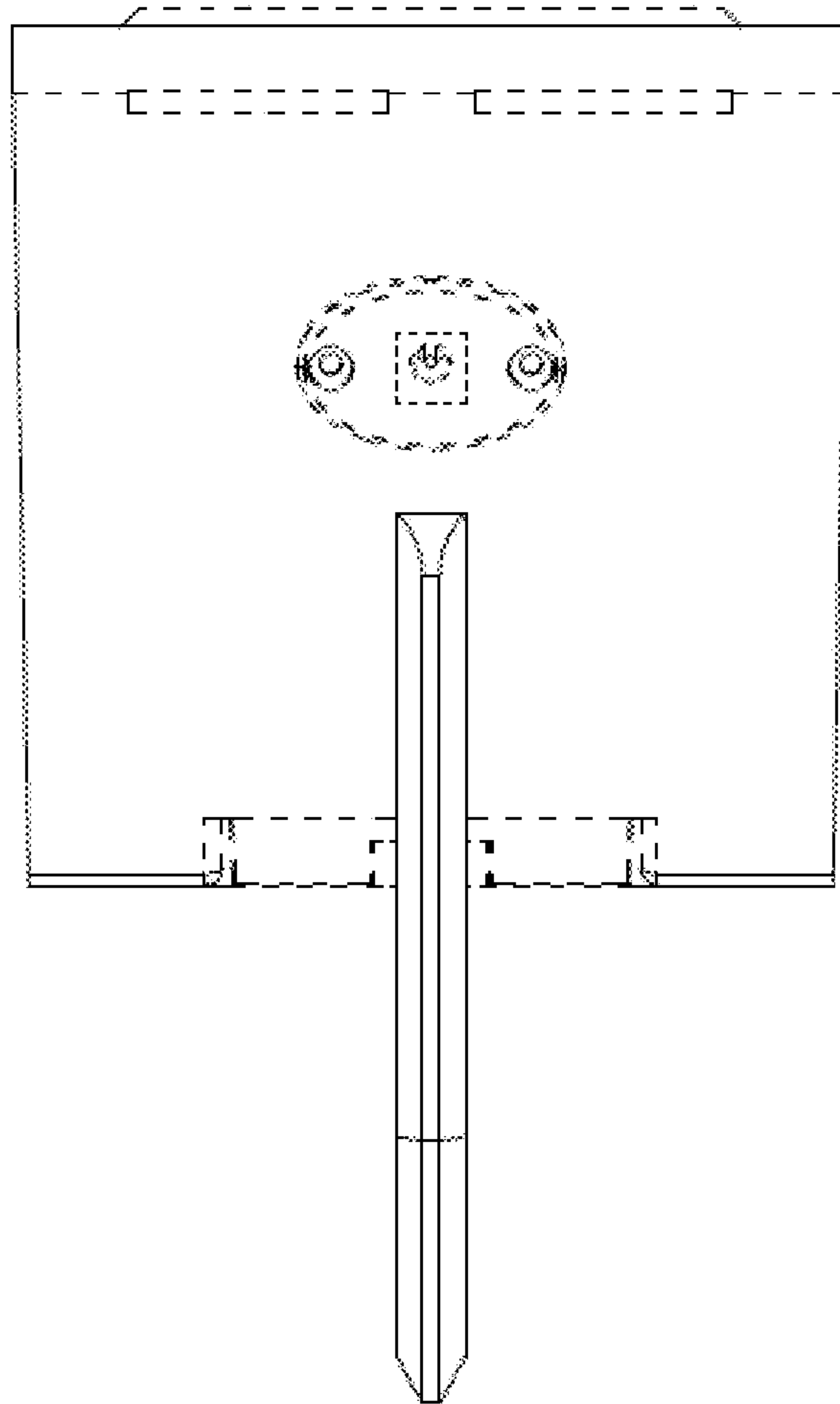


FIG. 7