



US00D979307S

(12) **United States Design Patent**
Godwin

(10) **Patent No.:** **US D979,307 S**

(45) **Date of Patent:** **** Feb. 28, 2023**

(54) **TABLE**

(71) Applicant: **Alumni Classroom Furniture Inc.,**
Waterloo (CA)

(72) Inventor: **Paul Godwin,** Waterloo (CA)

(73) Assignee: **Alumni Classroom Furniture Inc.,**
Waterloo (CA)

(**) Term: **15 Years**

(21) Appl. No.: **29/658,338**

(22) Filed: **Jul. 30, 2018**

Related U.S. Application Data

(63) Continuation-in-part of application No. 29/590,738,
filed on Jan. 12, 2017, now Pat. No. Des. 860,698.

(51) **LOC (14) Cl.** **06-06**

(52) **U.S. Cl.**
USPC **D6/707.22**

(58) **Field of Classification Search**
USPC D6/338, 641, 656, 656.1, 656.13, 656.15,
D6/656.18, 685, 686, 687, 691.1, 691.6,
D6/692.1, 693, 696, 696.1, 696.3, 696.4,
D6/697, 697.1, 697.2, 704, 705.1, 707,
D6/707.21, 707.22, 707.23, 708.24
CPC A47B 3/00; A47B 7/00; A47B 7/02; A47B
13/00; A47B 13/08; A47B 21/00; A47B
21/02; A47B 41/00; A47B 41/02; A47B
2200/0001; A47B 2200/0003; A47B
2200/0035

See application file for complete search history.

(56) **References Cited**

U.S. PATENT DOCUMENTS

D144,045 S * 3/1946 Fletcher D6/650
D148,776 S * 2/1948 Fay D6/644
D190,998 S * 8/1961 Schultz D6/688
3,342,147 A 9/1967 Shettles
D227,966 S 7/1973 Duern et al.
D237,336 S 10/1975 Loscalzo et al.

D300,396 S 3/1989 Kelley et al.
D330,469 S 10/1992 Brodbeck et al.
D332,536 S * 1/1993 Hosoe D6/693.1
5,660,120 A 8/1997 Sims
D394,567 S 5/1998 Hallenheim
(Continued)

OTHER PUBLICATIONS

Interchange Wing Desk, hosted at Web.archive.org, posted on Mar. 16, 2015, online, site visited Oct. 19, 2017. Available from Internet: <https://web.archive.org/web/20150316160200/http://smithsystem.com/furniture/wing-desk/#next>.

UXL Diamond, hosted at Web.archive.org, posted on Mar. 16, 2015, online, site visited Oct. 19, 2017. Available from Internet: <https://web.archive.org/web/20150316164245/http://smithsystem.com/furniture/single-student-diamond-desk-2/>.

(Continued)

Primary Examiner — Catherine Ho

(74) *Attorney, Agent, or Firm* — Laurie Wright;
Christopher N. Hunter; Blake, Cassels & Graydon LLP

(57) **CLAIM**

The ornamental design of a table, as shown and described.

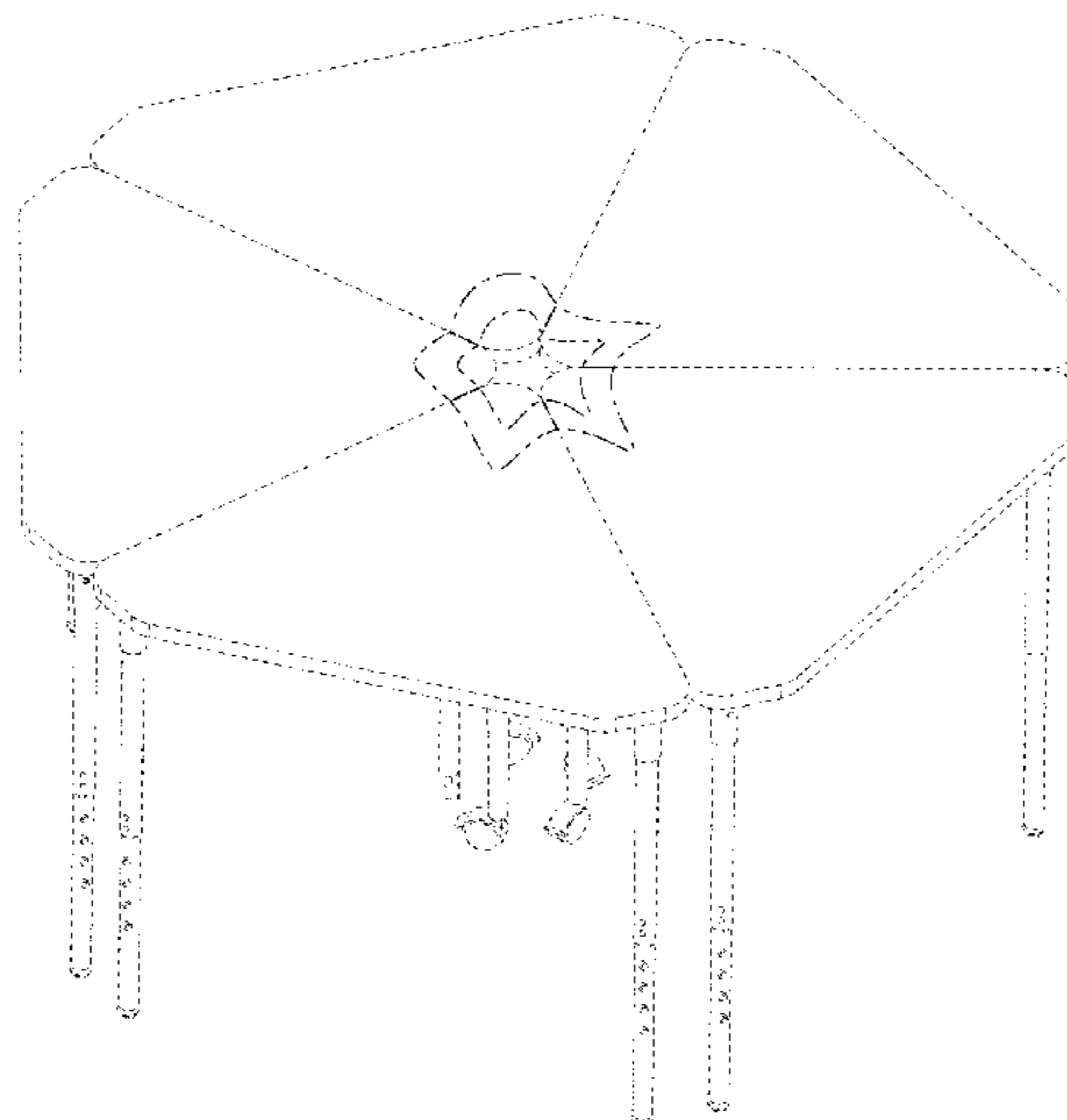
DESCRIPTION

FIG. 1 is a perspective view of the table;
FIG. 2 is top view of the table;
FIG. 3 is a bottom view of the table;
FIG. 4 is a side view of the table;
FIG. 5 is an opposite side view of the table;
FIG. 6 is a perspective view of the table showing an alternative configuration of the table; and,
FIG. 7 is a perspective view of a component of the table isolated for clarity of illustration.

The portions of the figures shown in even-dashed broken lines represent features that do not form part of the claimed design.

The dash-dot broken lines define the bounds of the claimed design and form no part thereof.

1 Claim, 7 Drawing Sheets



(56)

References Cited

U.S. PATENT DOCUMENTS

| | | | | |
|--------------|------|---------|-------------|-------------------------|
| D413,212 | S | 8/1999 | Dame et al. | |
| D422,161 | S | 4/2000 | Pan | |
| 6,382,109 | B1 | 5/2002 | Novikoff | |
| 7,004,082 | B2 * | 2/2006 | Yang | A47B 37/04 108/50.12 |
| D608,118 | S | 1/2010 | Pini | |
| 8,776,699 | B2 * | 7/2014 | Nasseri | A47B 87/002 108/64 |
| D792,135 | S * | 7/2017 | Wyman | D6/691.1 |
| D810,485 | S * | 2/2018 | Teller | D6/707.23 |
| D834,865 | S * | 12/2018 | Godwin | D6/707.22 |
| D839,648 | S * | 2/2019 | Legare | D6/707 |
| D859,895 | S * | 9/2019 | Haase | D6/707.22 |
| D860,698 | S * | 9/2019 | Godwin | D6/707.22 |
| 2013/0129405 | A1 | 5/2013 | Everett | |

OTHER PUBLICATIONS

Triangle Tables, posted at Behance.net, posted on May 16, 2014, online, site visited Oct. 19, 2017. Available from Internet: <https://www.behance.net/gallery/16941101/Triangle-Tables>.

Modular School Desks, posted at Youtube.com, posted on Apr. 17, 2015, online, site visited Oct. 19, 2017. Available from Internet: <https://www.youtube.com/watch?v=-KcfHG91RxQ>.

Balt Economy Shapes Desk & Essential Chair Package—Quo0007465 I Collaborative Des . . . ; www.worthingtondirect.com/desks/quo0005473-economy-shapes-desk-essential-chair-package-5-desks-5-16-h-chairs.htm; available online at least as early as Dec. 6, 2016.

* cited by examiner

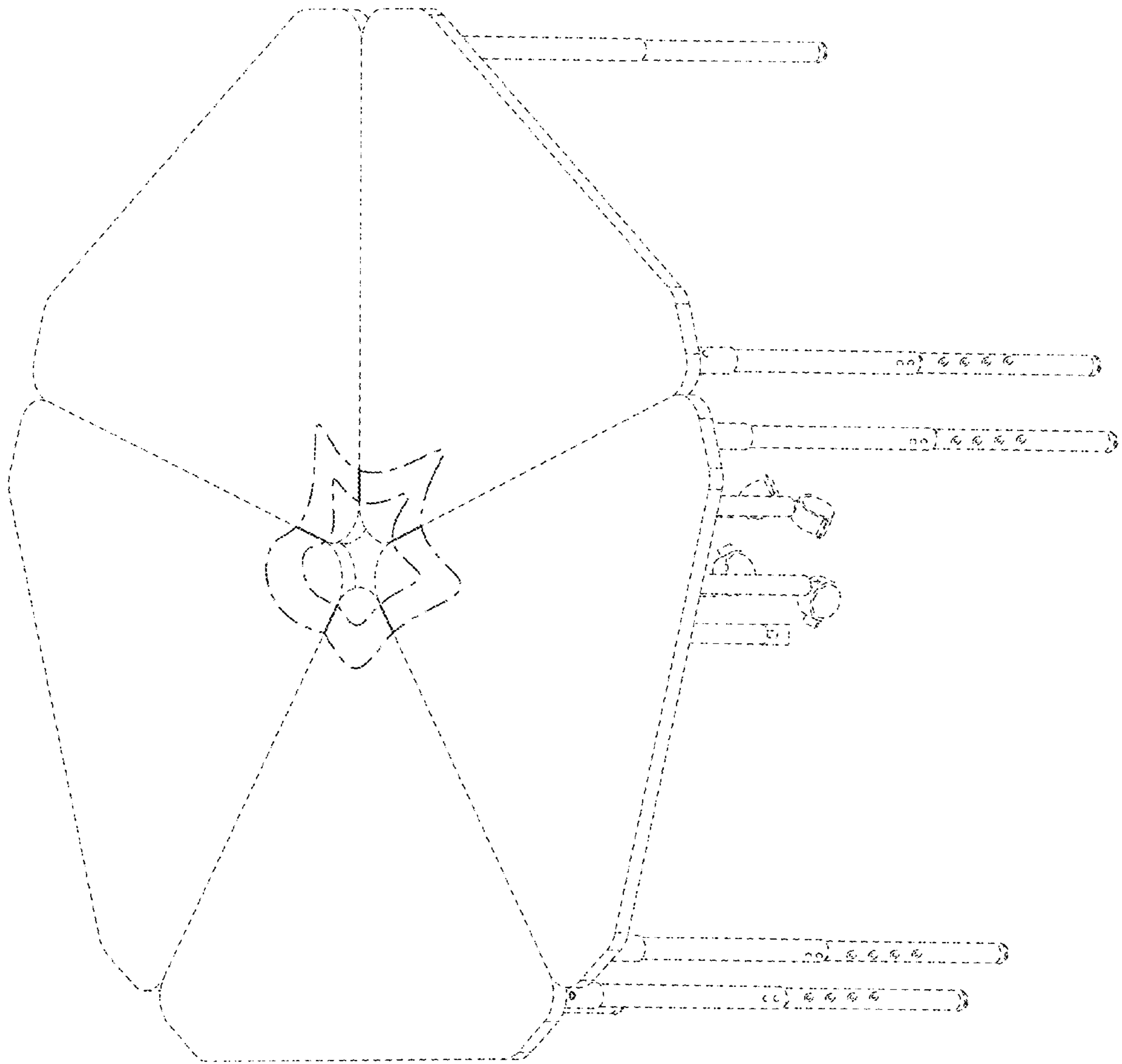


FIG. 1

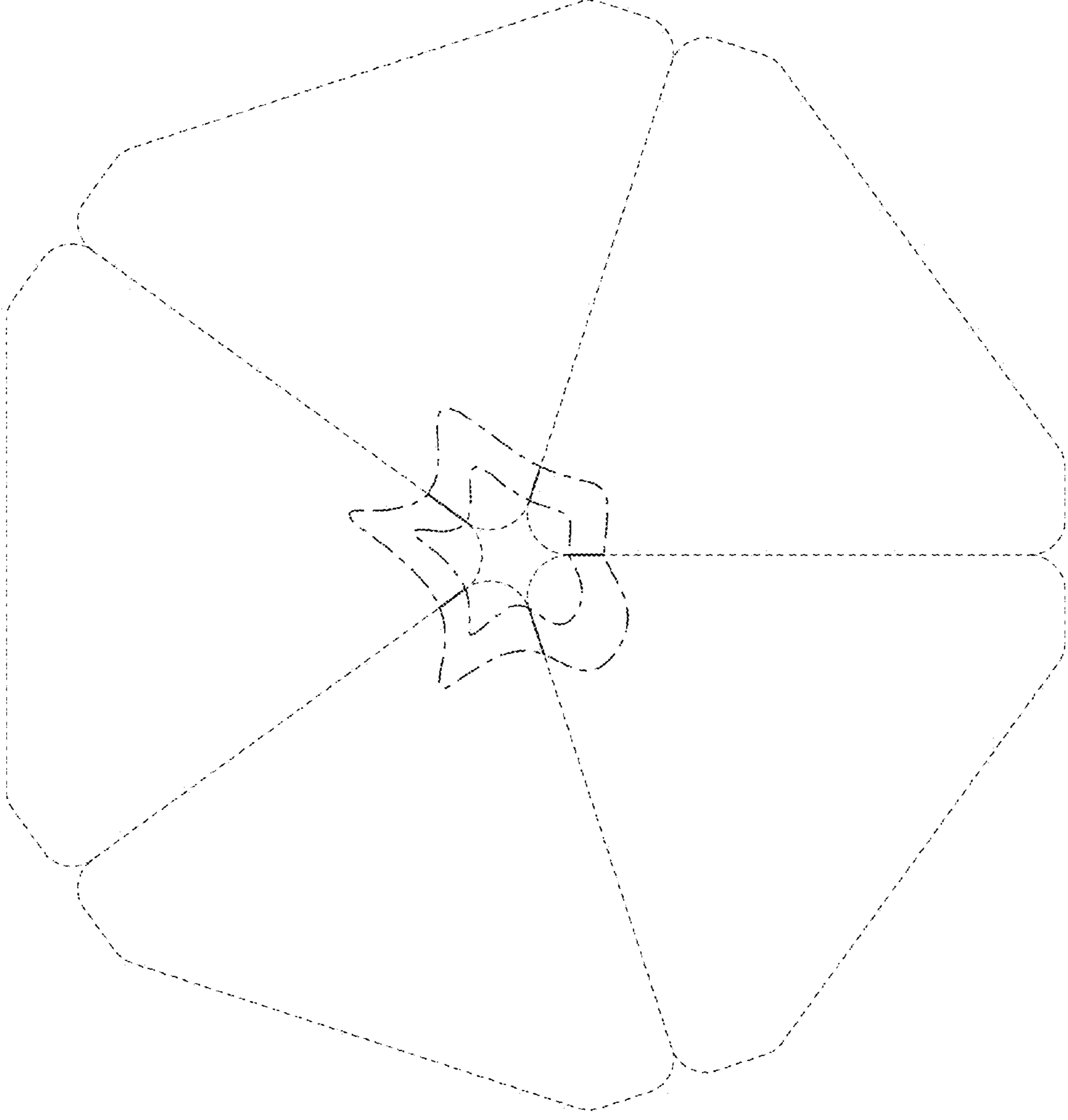


FIG. 2

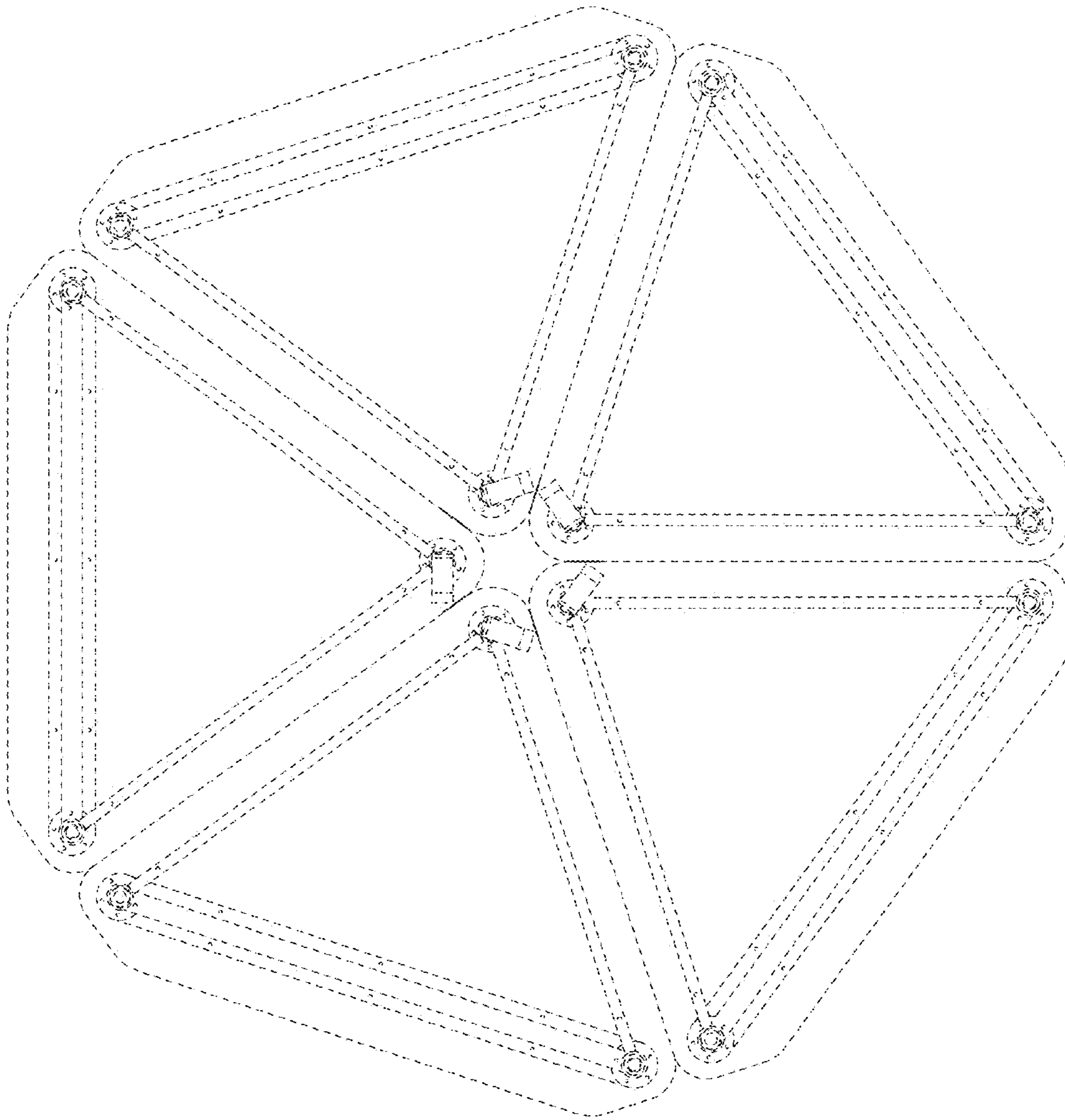


FIG. 3

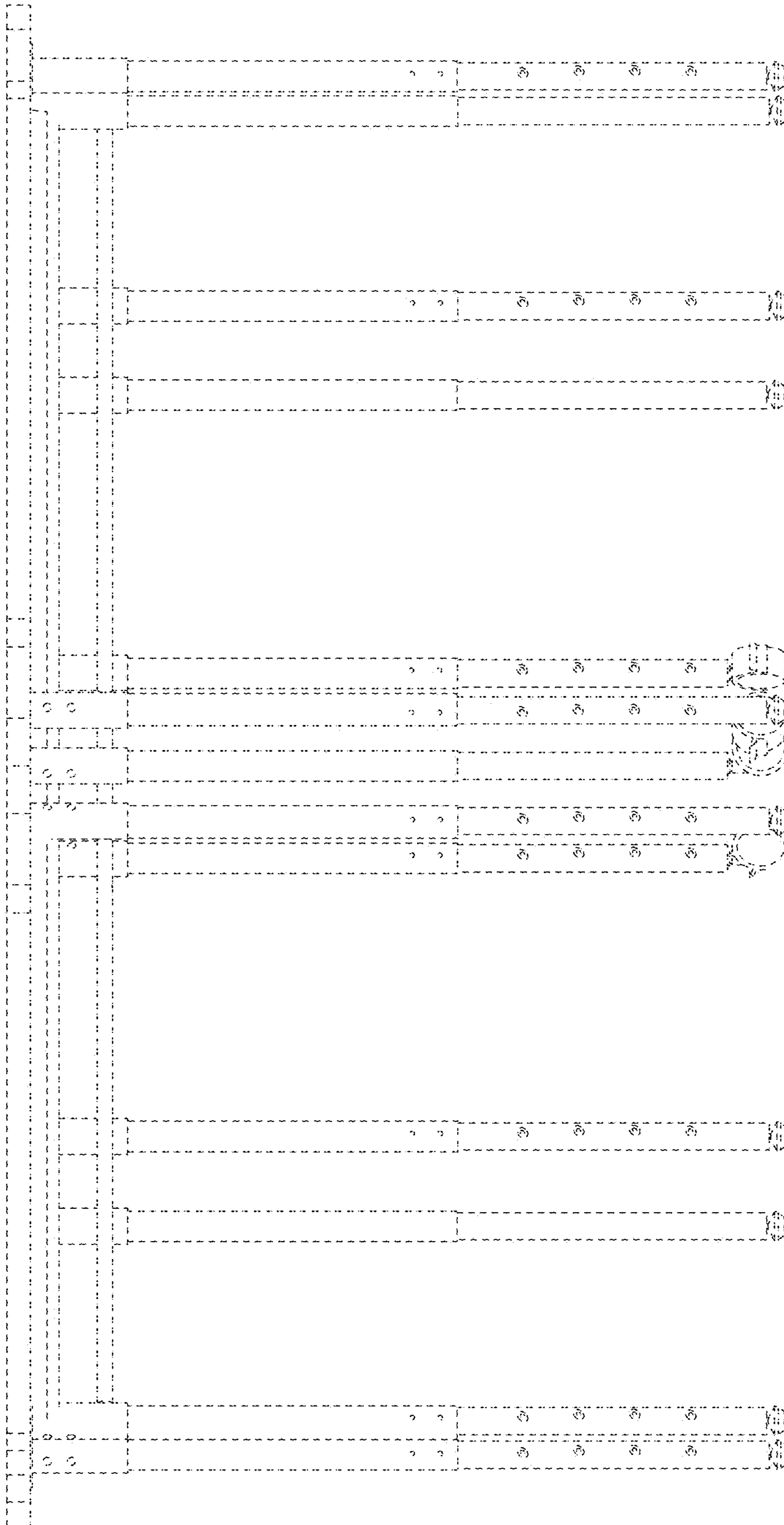


FIG. 4

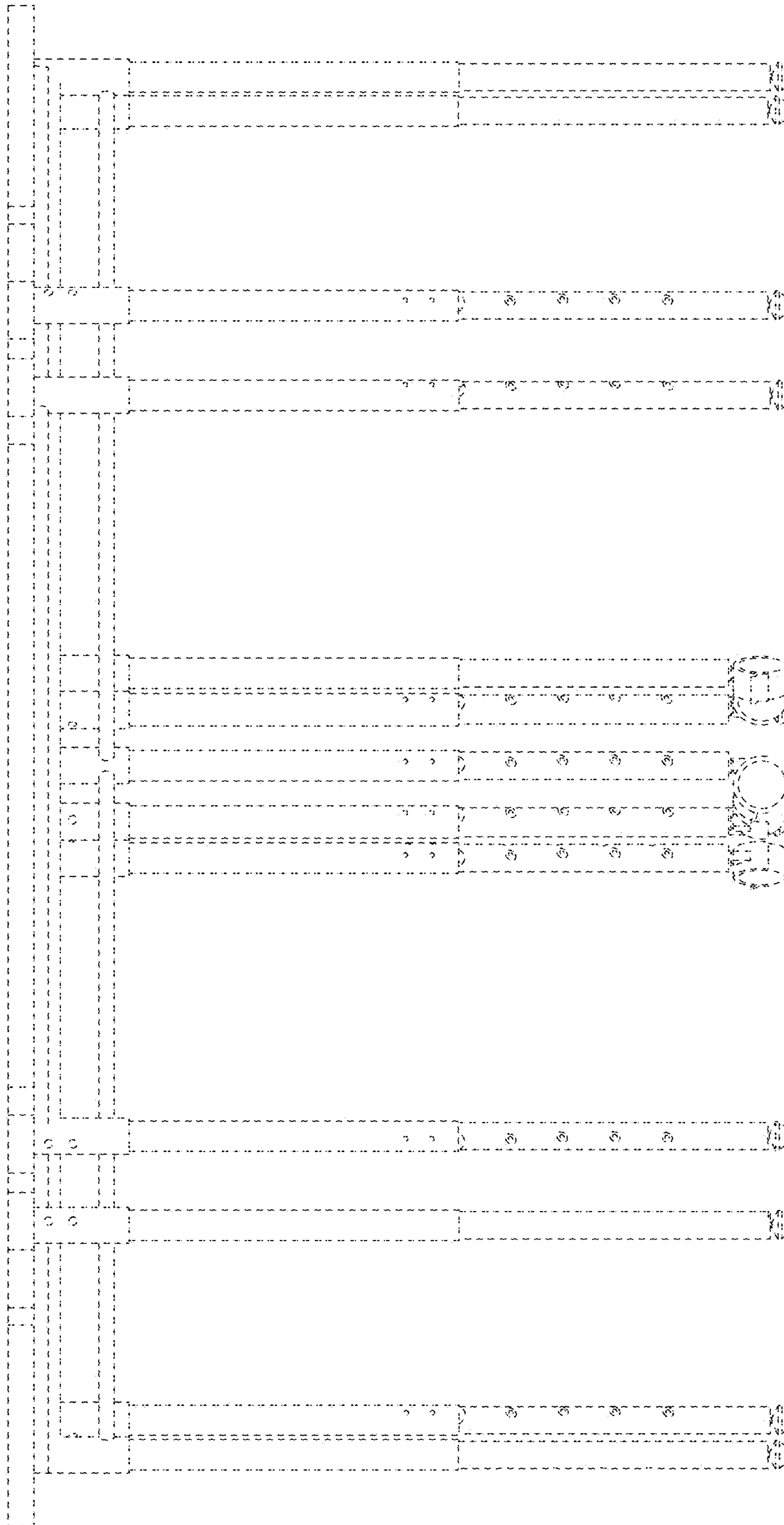


FIG. 5

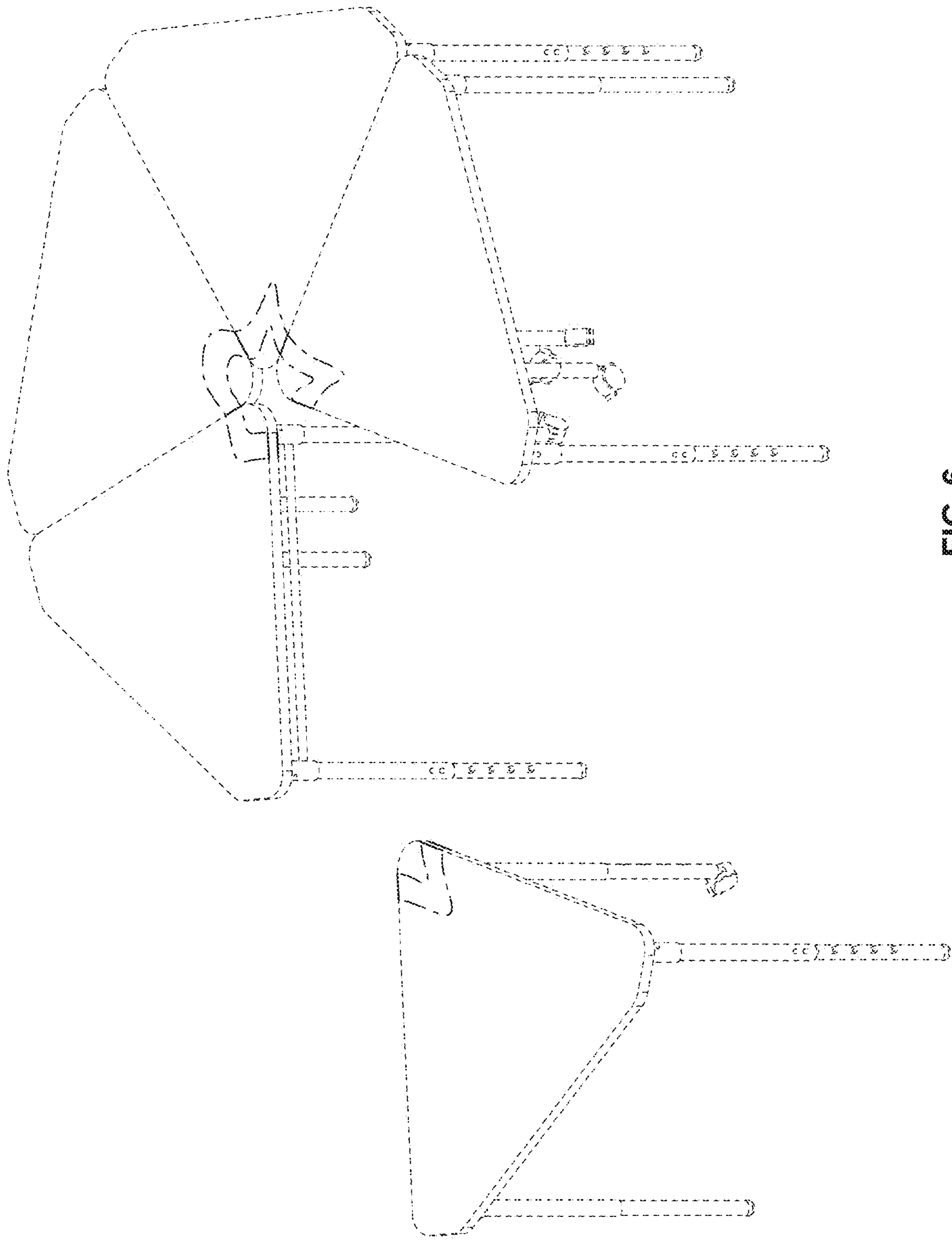


FIG. 6

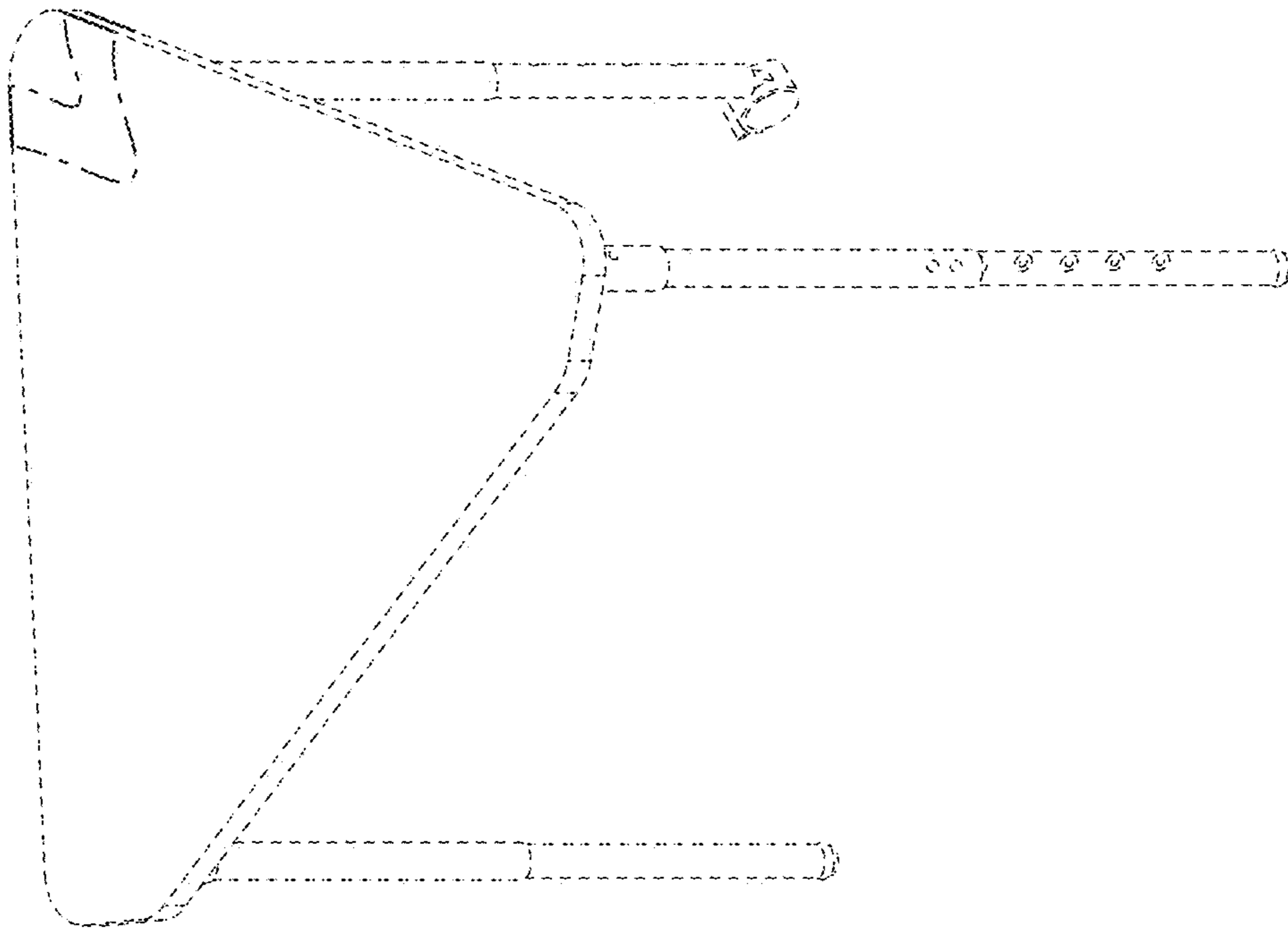


FIG. 7