



US00D979305S

(12) **United States Design Patent**
Chen

(10) **Patent No.:** **US D979,305 S**

(45) **Date of Patent:** **** Feb. 28, 2023**

(54) **TABLE**

(71) Applicant: **Nanjing Haichang Supply Chain Management Co., Ltd.**, Nanjing (CN)

(72) Inventor: **Guoyun Chen**, Changzhou (CN)

(73) Assignee: **Nanjing Haichang Supply Chain Management Co., Ltd.**, Nanjing (CN)

(**) Term: **15 Years**

(21) Appl. No.: **29/839,153**

(22) Filed: **May 18, 2022**

(51) **LOC (14) Cl.** **06-03**

(52) **U.S. Cl.**
USPC **D6/691**

(58) **Field of Classification Search**
USPC D6/349, 685, 686, 688.12, 688.13,
D6/688.15, 691, 691.1, 691.2, 691.6,
D6/691.7

CPC A47B 7/00; A47B 13/00; A47B 37/04
See application file for complete search history.

(56) **References Cited**

U.S. PATENT DOCUMENTS

D239,800 S	*	5/1976	Roberson	D6/688.15
D298,706 S	*	11/1988	Alehin	D6/688.12
D405,631 S	*	2/1999	Burdick	D6/691.1
D436,471 S	*	1/2001	Rehmert	D6/688.13
D503,863 S	*	4/2005	Vanderminden, Sr.	D6/692.4
D625,531 S	*	10/2010	Everson	D6/692.4
D839,646 S		2/2019	Rockwell et al.		
D882,313 S	*	4/2020	Page	D6/686
D912,449 S		3/2021	Li		

OTHER PUBLICATIONS

“Style Selections San Terra Square Outdoor End Table.” Found online Dec. 17, 2022 at www.lowes.com. Product reviewed Apr. 6, 2021. Retrieved from URL: <https://www.lowes.com/pd/Style-Selections-ST-SAN-TERRA-SIDE-TABLE/1003091636> (Year: 2021).*

“Style Selections Davenport Square Outdoor End Table.” Found online Dec. 17, 2022 at www.lowes.com. Product reviewed Apr. 13, 2022. Retrieved from URL: <https://www.lowes.com/pd/Style-Selections-Davenport-Square-Outdoor-End-Table-18-in-W-x-18-in-L/5013470657> (Year: 2022).*

* cited by examiner

Primary Examiner — Mary Ann Calabrese

Assistant Examiner — Katelin G Kloberg

(74) *Attorney, Agent, or Firm* — Jeenam Park

(57) **CLAIM**

The ornamental design for a table, as shown and described.

DESCRIPTION

FIG. 1 is a perspective view of a table, showing my new design;

FIG. 2 is a front view thereof;

FIG. 3 is a rear view thereof;

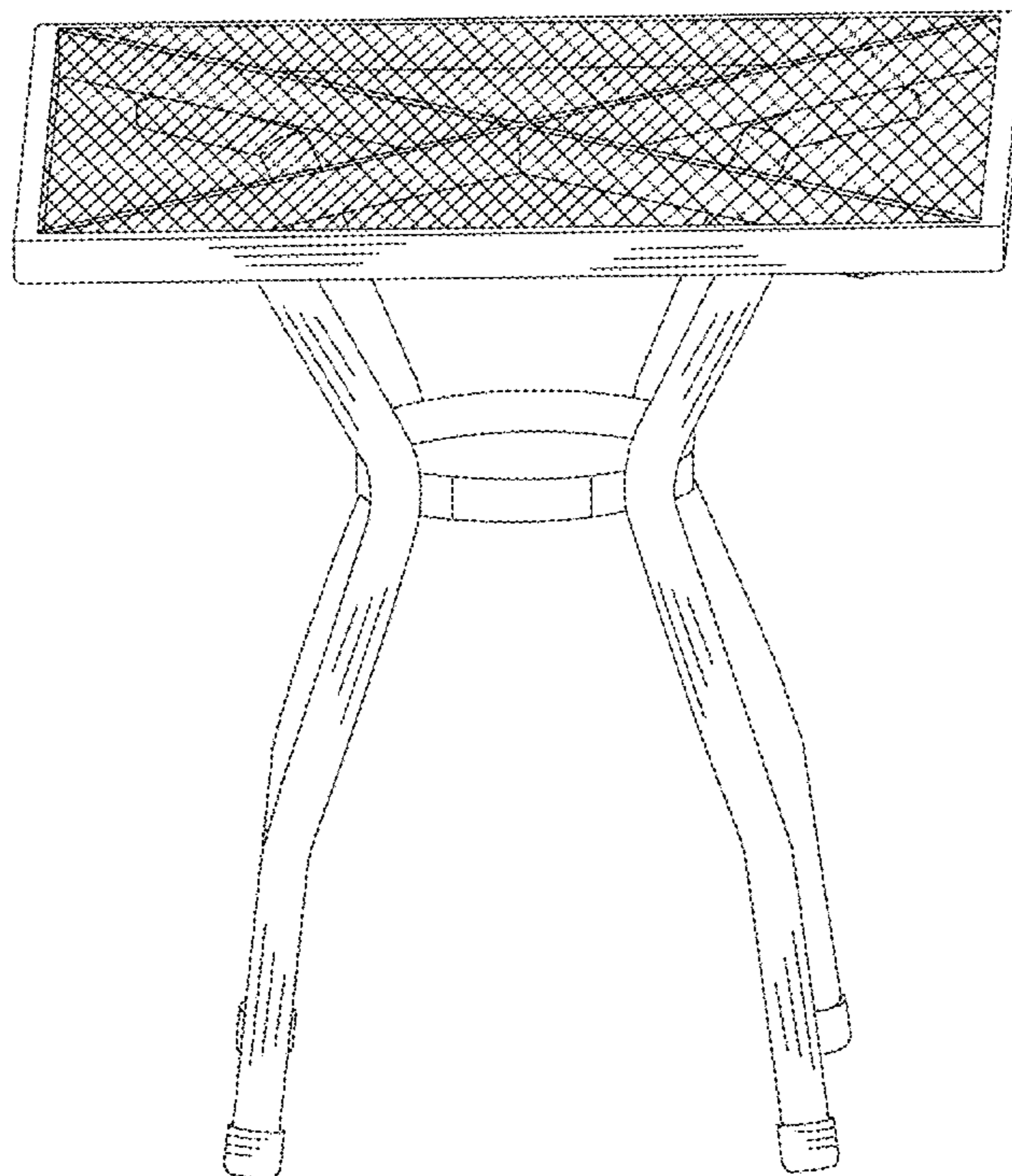
FIG. 4 is a left side view thereof;

FIG. 5 is a right side view thereof;

FIG. 6 is a top plan view thereof; and,

FIG. 7 is a bottom plan view thereof.

1 Claim, 7 Drawing Sheets



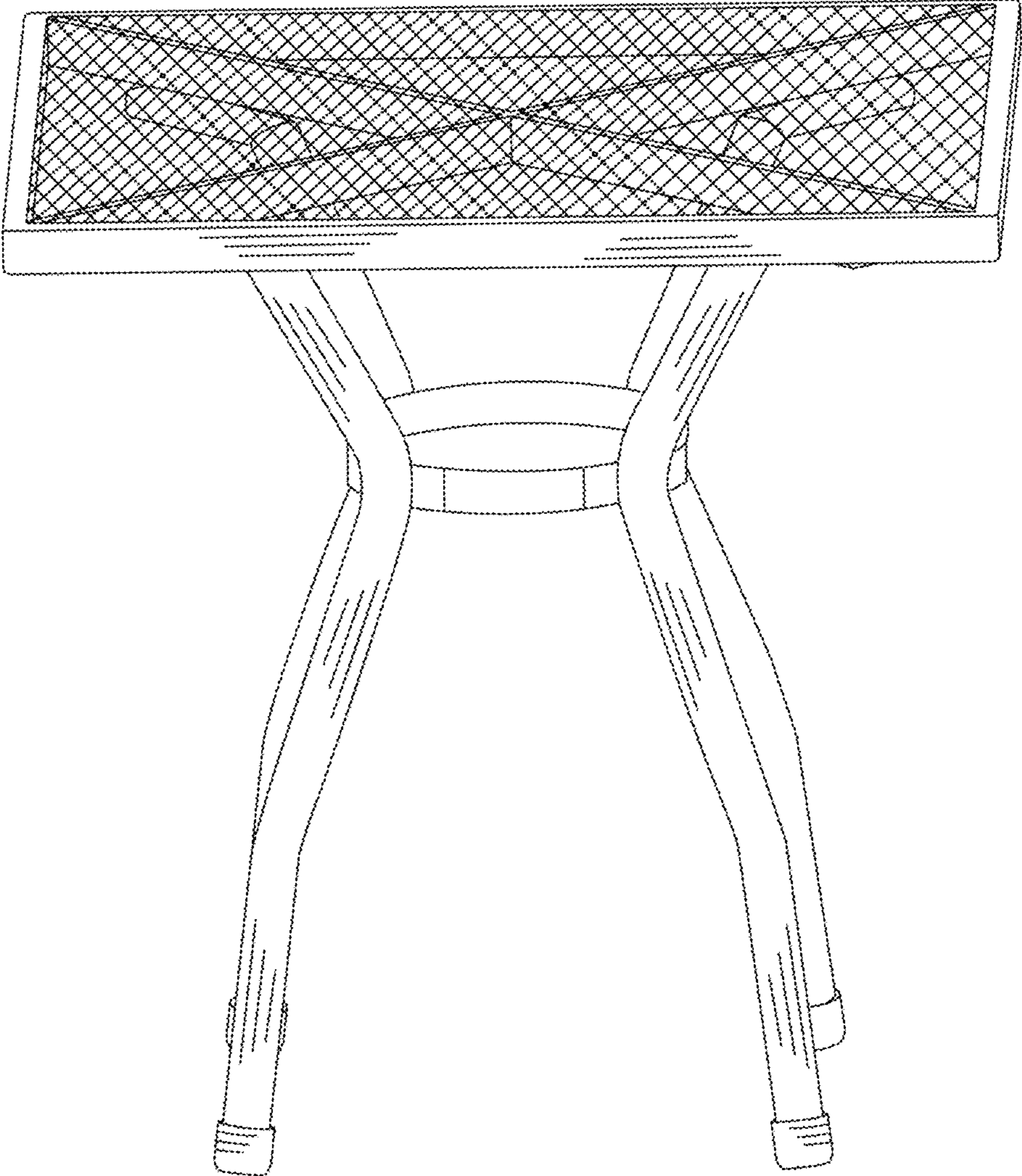


FIG. 1

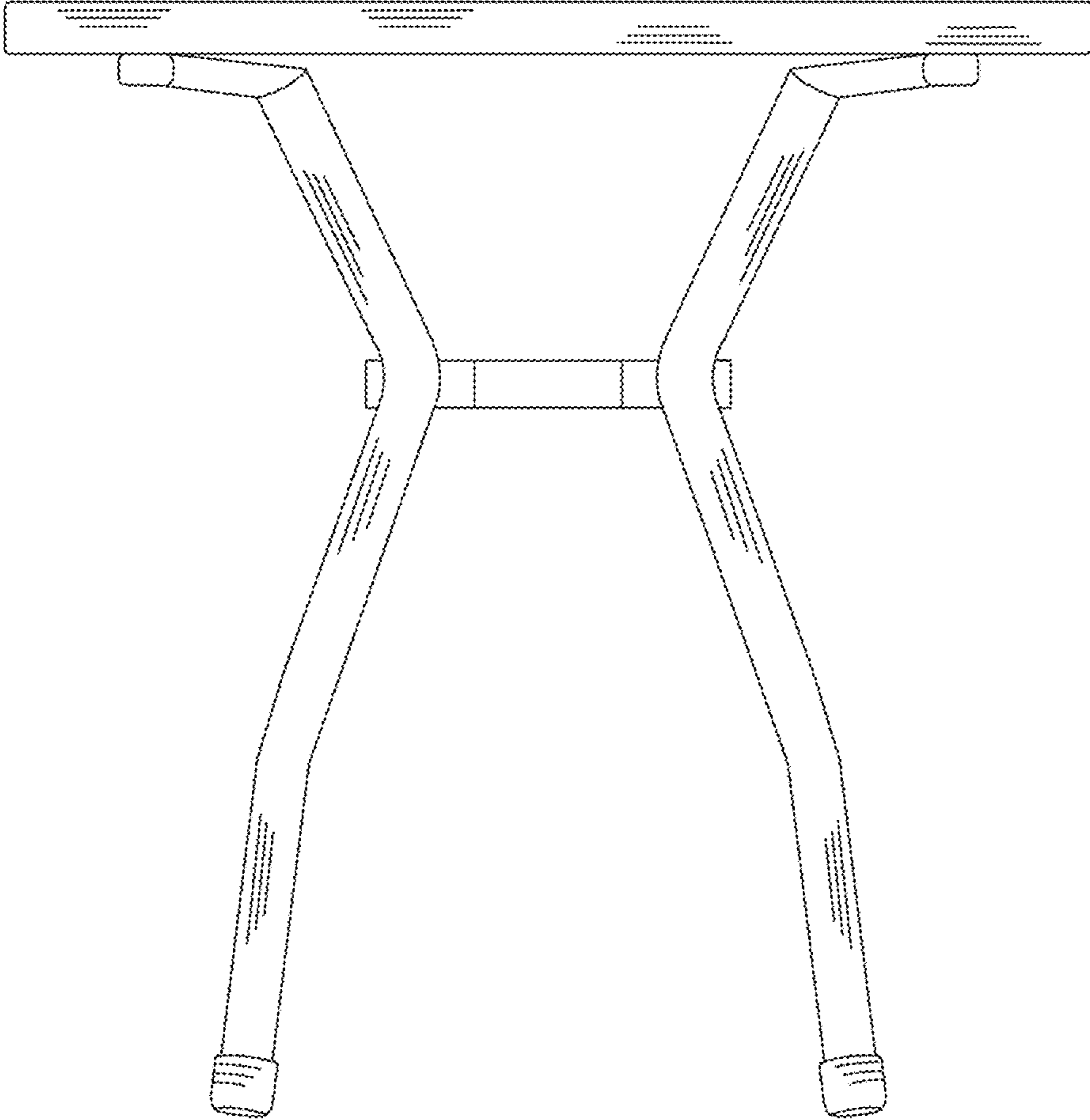


FIG. 2

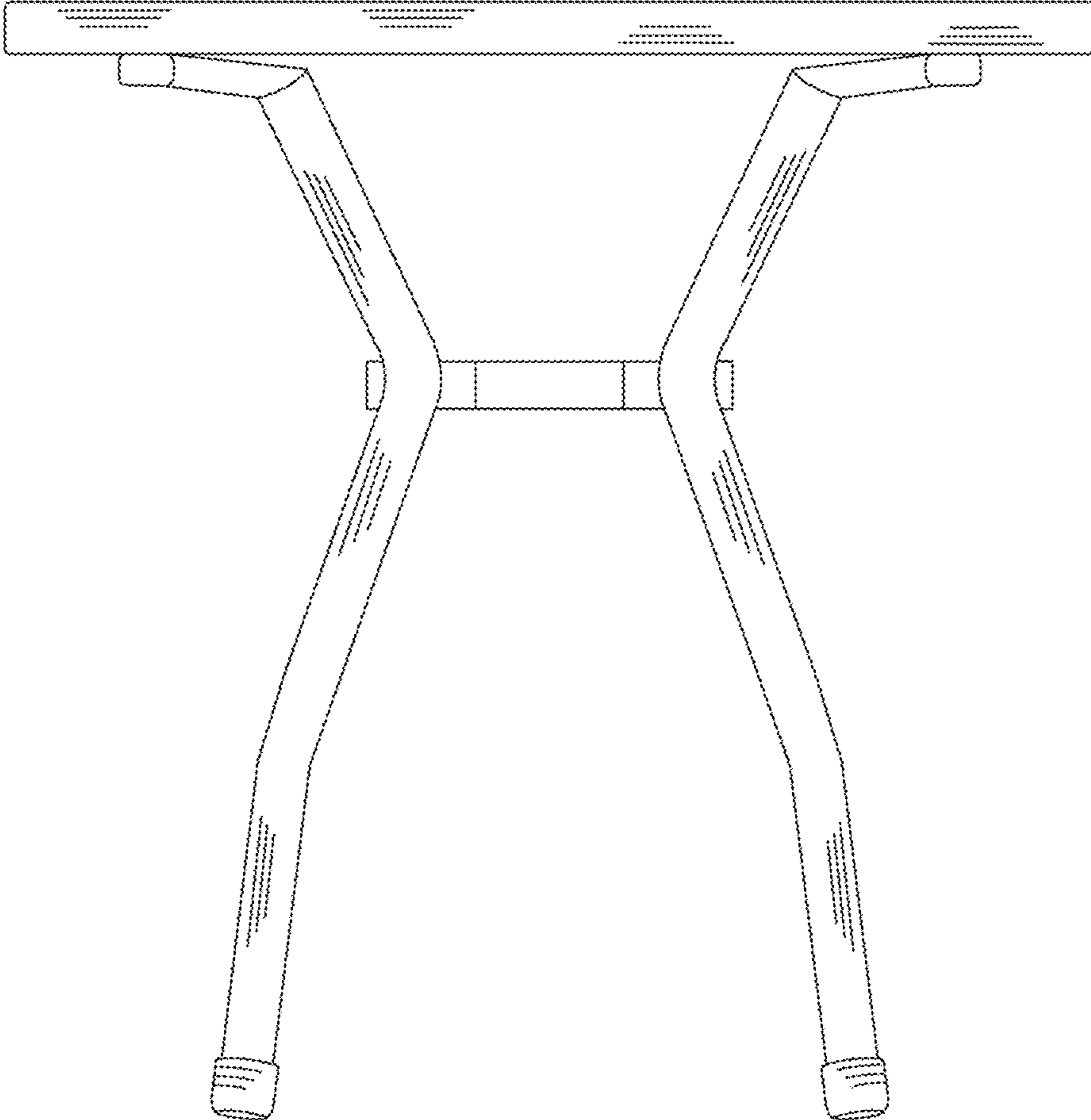


FIG. 3

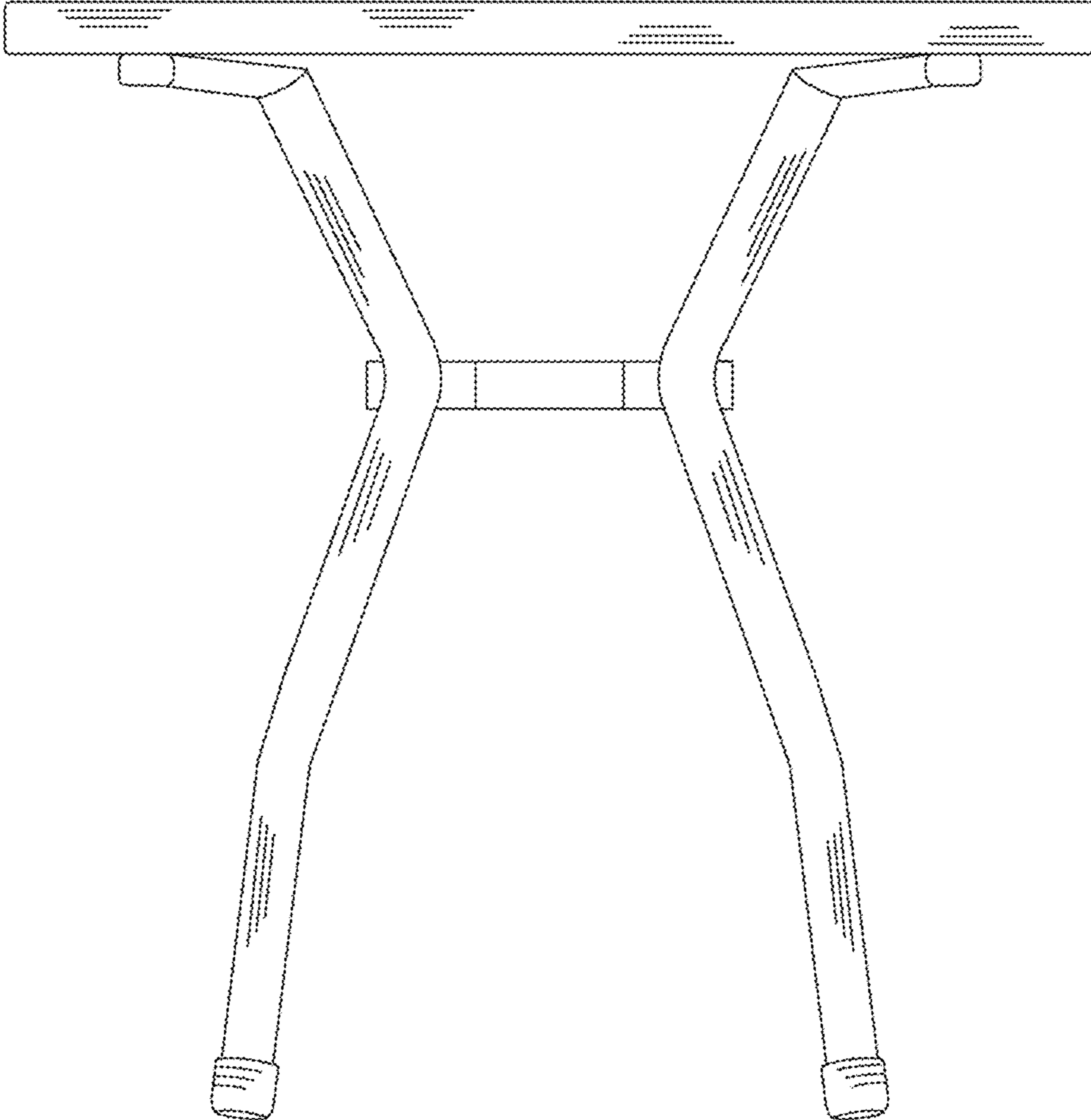


FIG. 4

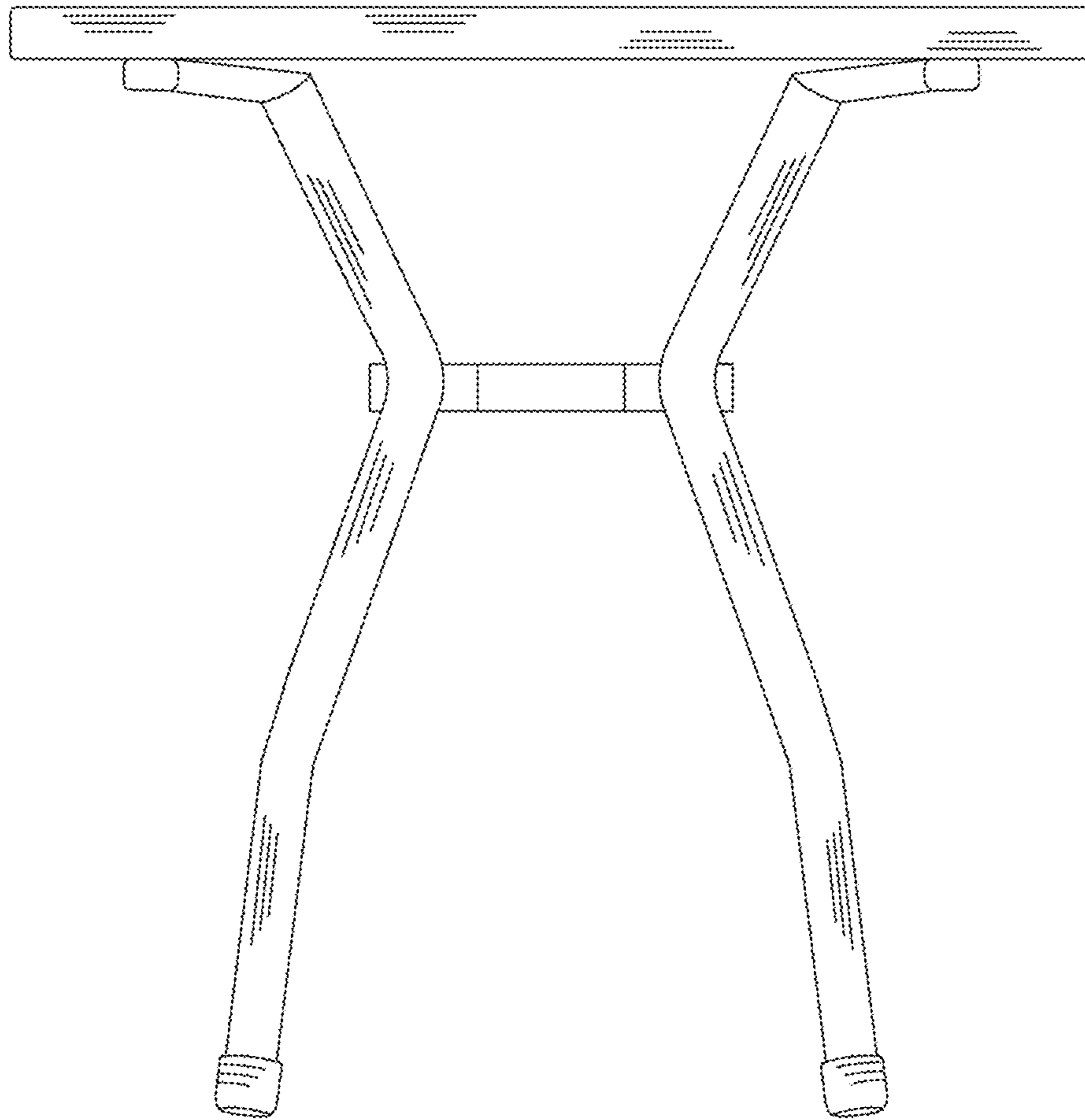


FIG. 5

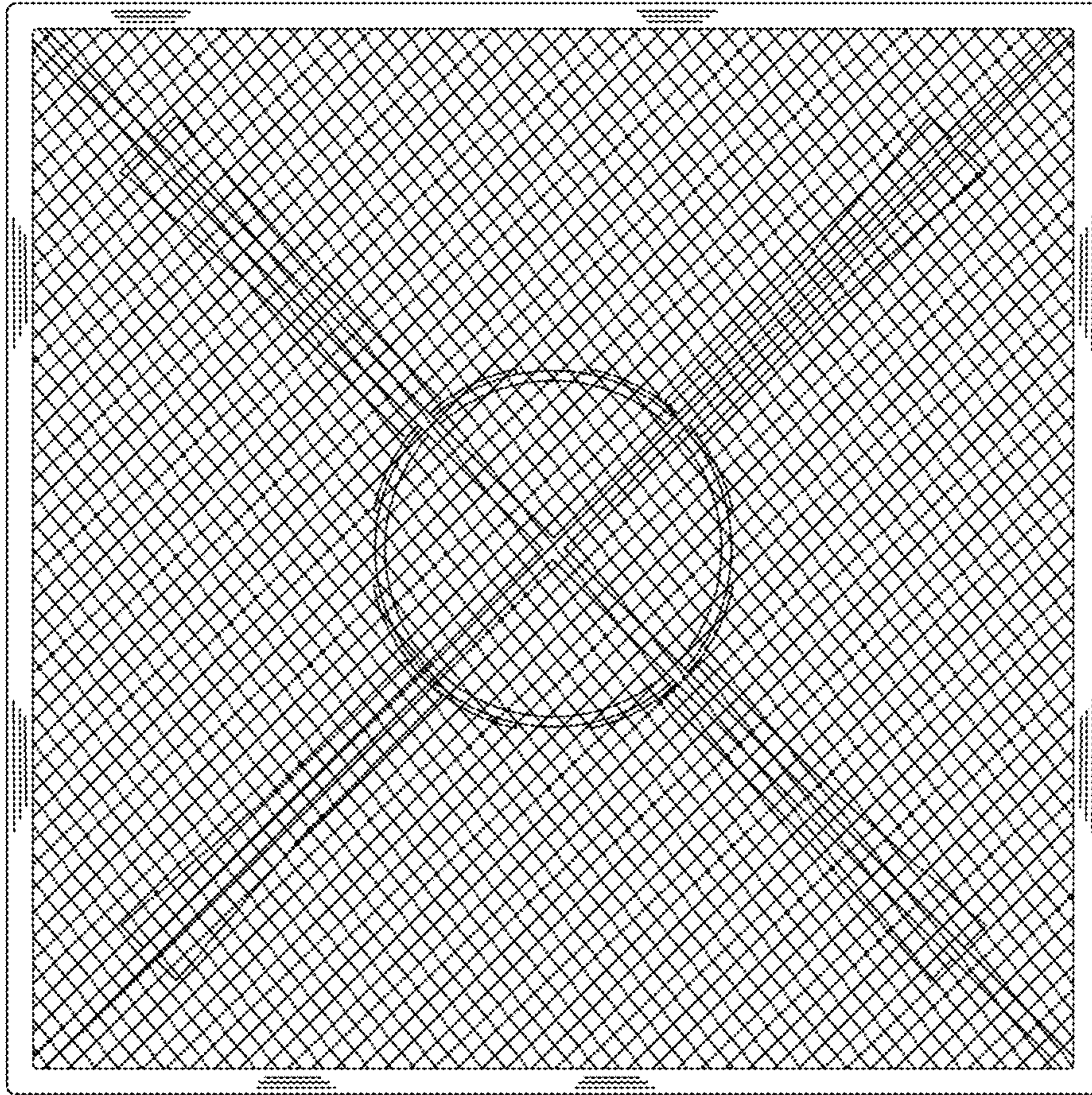


FIG. 6

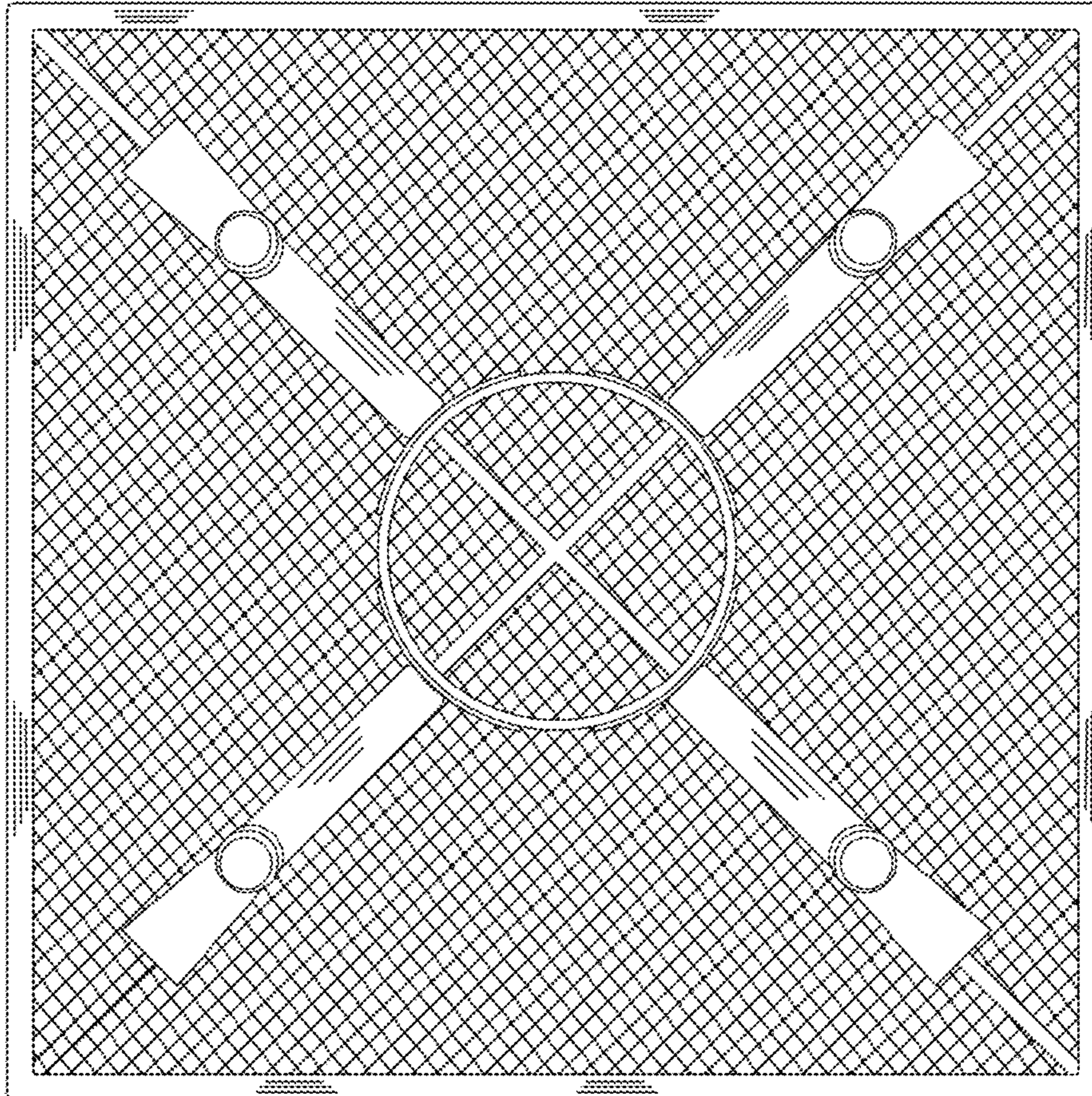


FIG. 7