



US00D979302S

(12) **United States Design Patent**
Li

(10) **Patent No.:** **US D979,302 S**
(45) **Date of Patent:** **** Feb. 28, 2023**

(54) **JEWELRY ORGANIZER**

(71) Applicant: **HUIZHOU PENGSHA HOME FURNISHING TECHNOLOGY CO., LTD.**, Huizhou (CN)

(72) Inventor: **Hongchao Li**, Shenzhen (CN)

(73) Assignee: **HUIZHOU PENGSHA HOME FURNISHING TECHNOLOGY CO., LTD.**, Huizhou (CN)

(**) Term: **15 Years**

(21) Appl. No.: **29/798,627**

(22) Filed: **Jul. 9, 2021**

(51) **LOC (14) Cl.** **06-04**

(52) **U.S. Cl.**
USPC **D6/682.5**

(58) **Field of Classification Search**
USPC D6/315, 672, 675, 675.1, 678, 678.1, D6/680.2, 681, 681.1, 681.3, 682, 682.5, D6/682.6
CPC A47F 5/00; A47F 5/04; A47F 5/05; A47F 5/10; A47F 5/0876; A47F 7/02; A47F 7/19; A47F 7/24; A47G 25/00; A47G 25/06; A47G 25/10; A47G 25/0664; A47G 25/0685

See application file for complete search history.

(56) **References Cited**

U.S. PATENT DOCUMENTS

- 3,807,574 A * 4/1974 Lanza F16M 11/046 248/412
- D294,543 S * 3/1988 Rekow D6/681.3
- D391,706 S * 3/1998 Malcolm 211/205
- D396,363 S * 7/1998 Skrum D6/682.2
- D398,789 S * 9/1998 Warshawsky D6/682.6
- D450,473 S * 11/2001 Walter D6/681.1
- D610,834 S * 3/2010 Talmon D6/681.2
- D655,530 S * 3/2012 Denby D6/681.1

- D662,725 S * 7/2012 Hill D6/662
- 9,538,861 B2 * 1/2017 Young A47F 5/04
- D808,193 S 1/2018 Sun
- 9,909,250 B1 * 3/2018 Greenspon A47G 25/0685
- D848,187 S * 5/2019 Lee D6/681.1
- D888,474 S * 6/2020 Li D6/682.6
- D919,341 S 5/2021 Li
- D946,329 S * 3/2022 Wu D6/682.2

(Continued)

OTHER PUBLICATIONS

Emfogo Jewelry Organizer Tree Stand, available in Amazon.ca, first available date of Oct. 26, 2020, site visited on Sep. 21, 2022, URL:https://www.amazon.ca/Emfogo-Jewelry-Organizer-Tree-Stand/dp/B08HCMFN44?th=1 (Year: 2020).*

Primary Examiner — Mary Ann Calabrese
Assistant Examiner — Mark David Wolfley

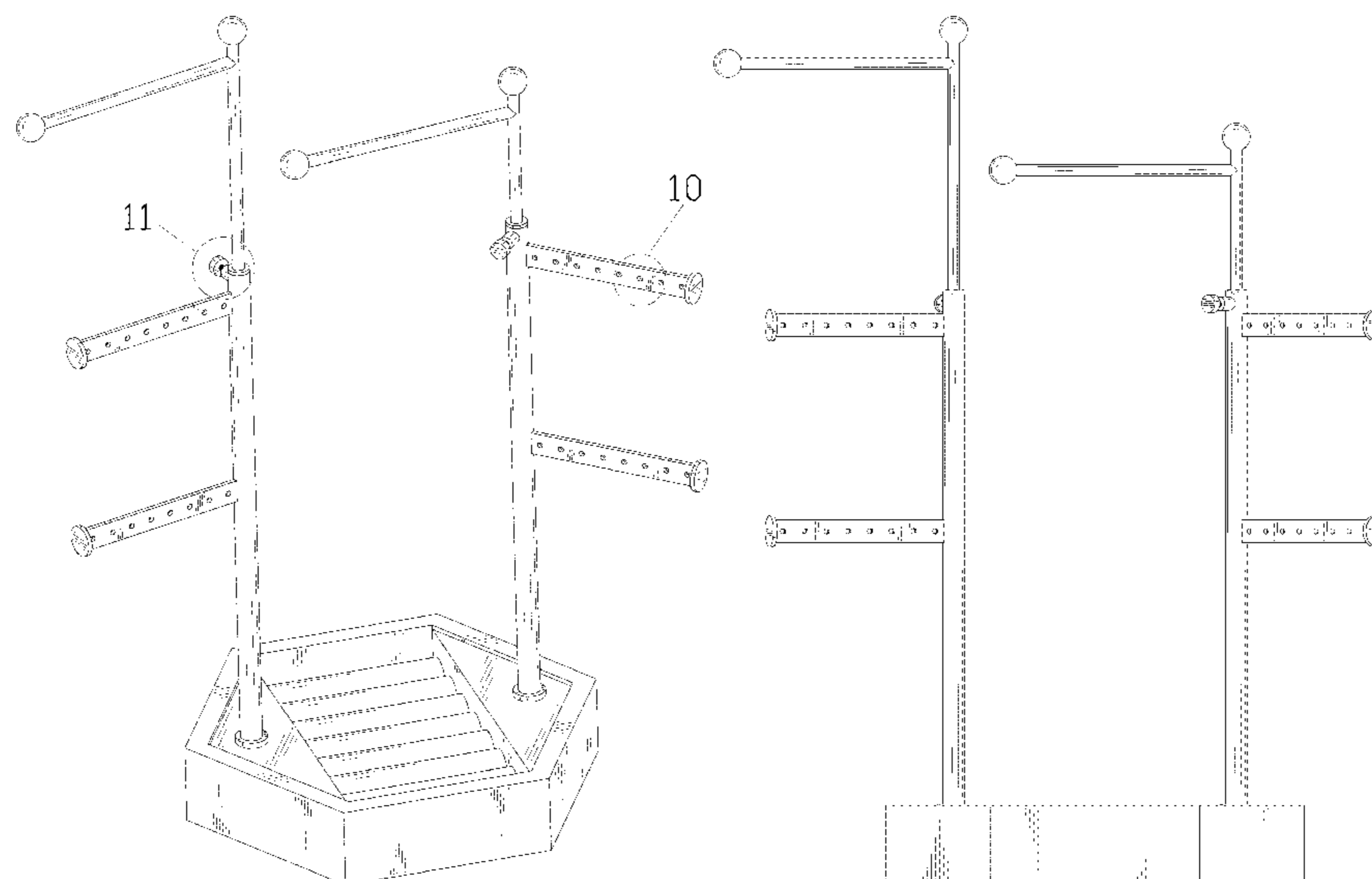
(57) **CLAIM**

The ornamental design for a jewelry organizer, as shown and described.

DESCRIPTION

FIG. 1 is a top, front, left perspective view of a jewelry organizer showing my new design;
 FIG. 2 is a bottom, rear, right perspective view thereof;
 FIG. 3 is a front elevational view thereof;
 FIG. 4 is a rear elevational view thereof;
 FIG. 5 is a left side elevational view thereof;
 FIG. 6 is a right side elevational view thereof;
 FIG. 7 is a top plan view thereof;
 FIG. 8 is a bottom plan view thereof;
 FIG. 9 is a perspective view of the jewelry organizer where the jewelry organizer is in a configuration of use;
 FIG. 10 is an enlarged detail view of the encircled area labeled 10 in FIG. 1; and,
 FIG. 11 is an enlarged detail view of the encircled area labeled 11 in FIG. 1.

1 Claim, 11 Drawing Sheets



(56)

References Cited

U.S. PATENT DOCUMENTS

D952,377 S * 5/2022 Richardson D6/682.5
D961,290 S * 8/2022 Mai D6/549

* cited by examiner

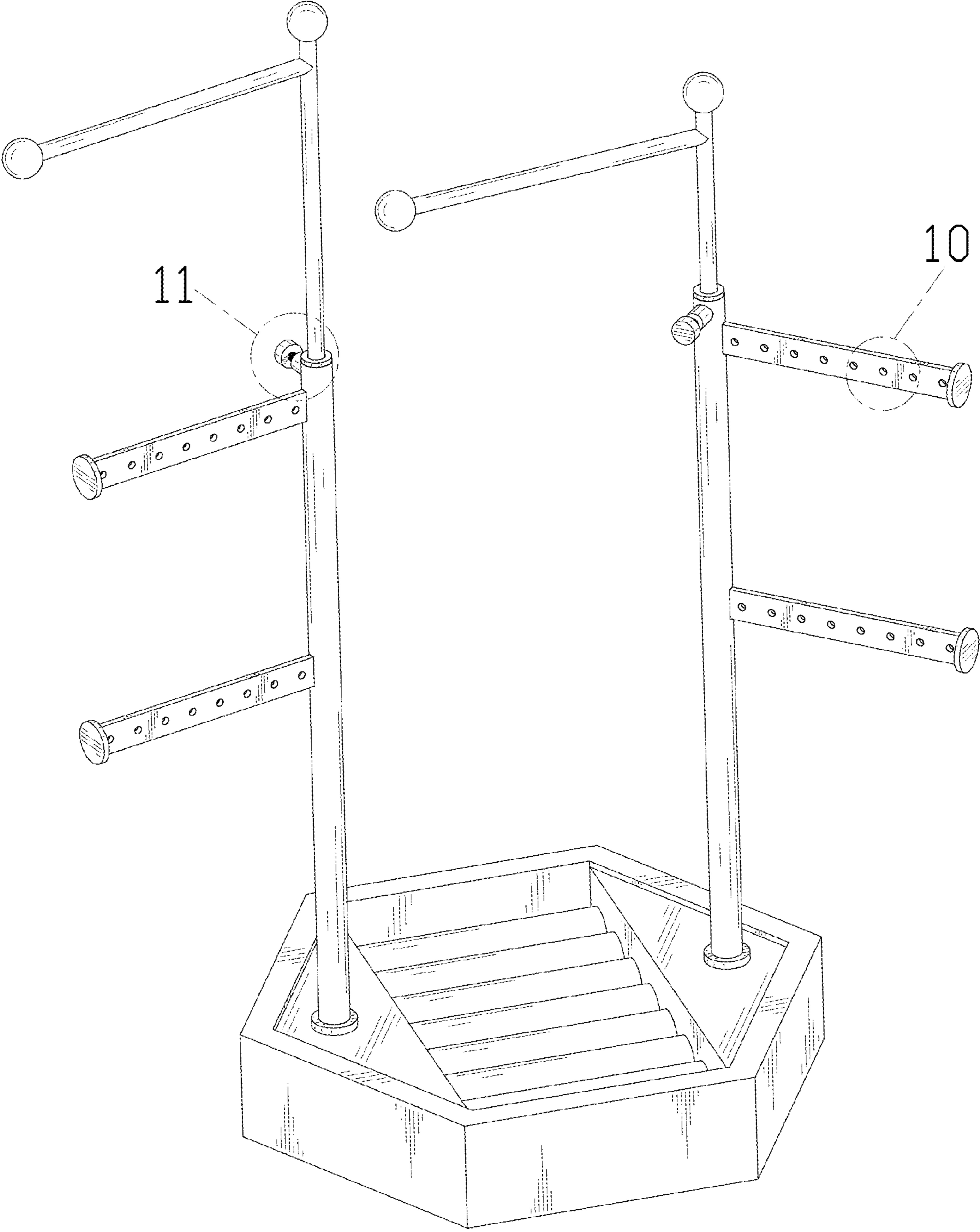


FIG. 1

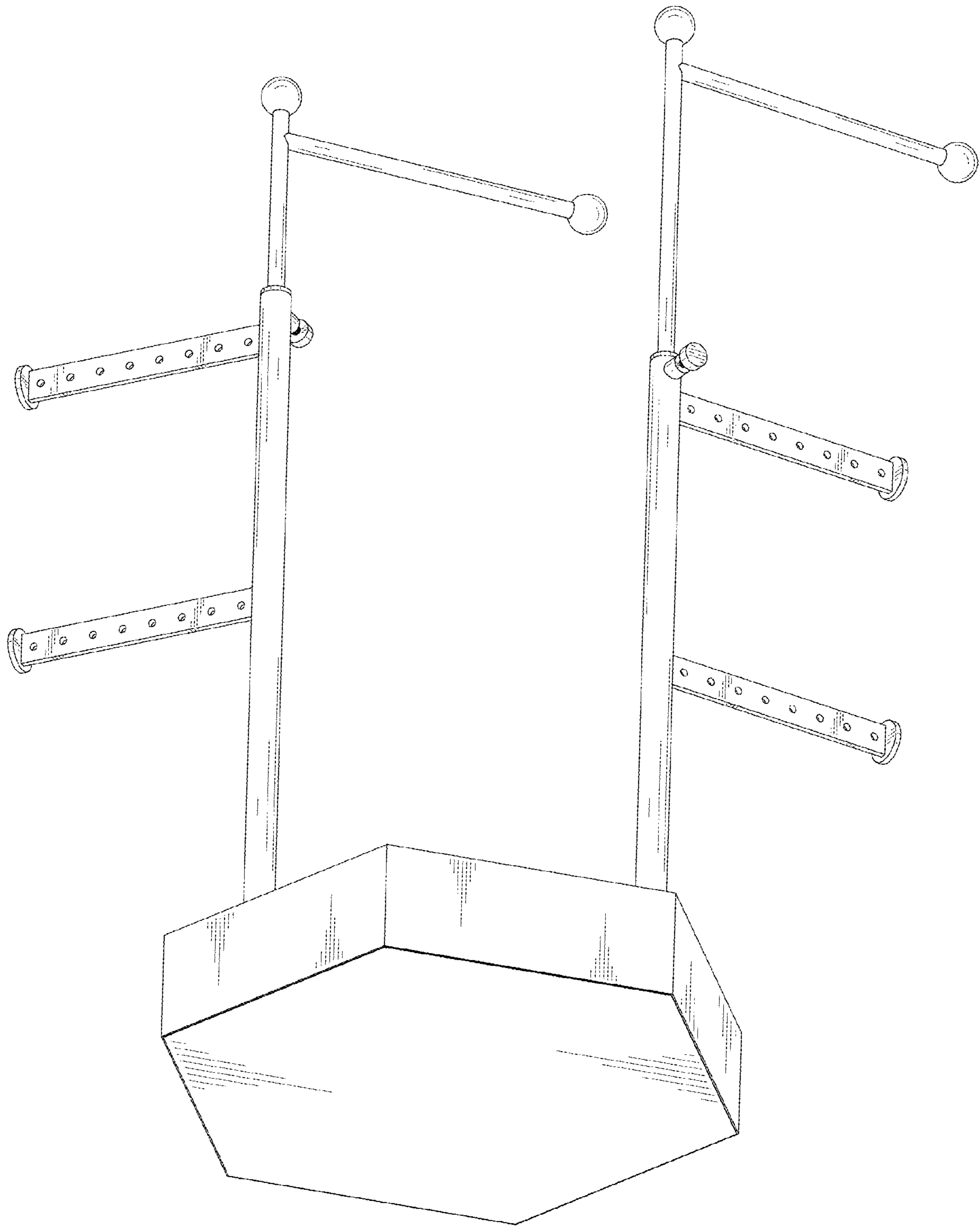


FIG. 2

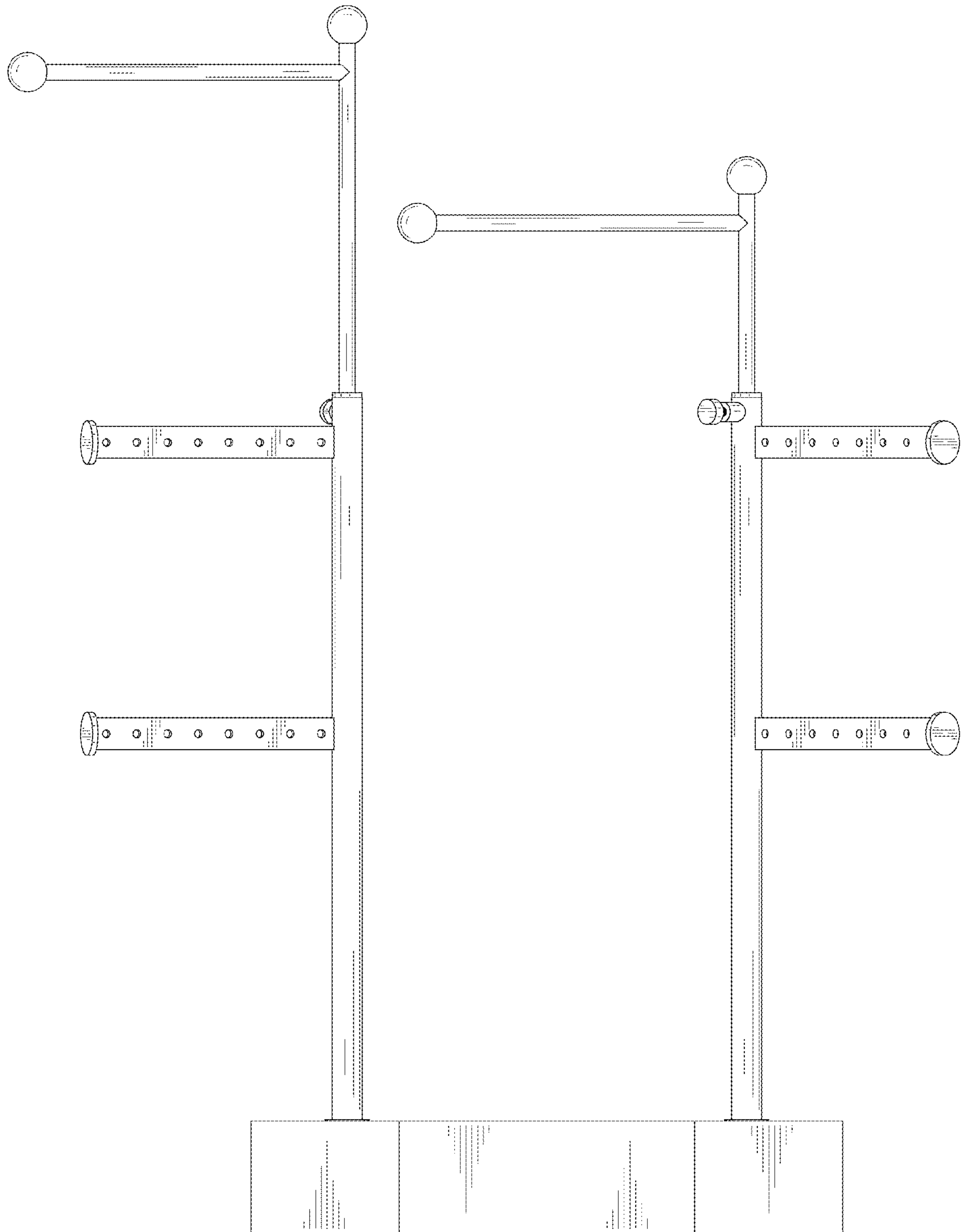


FIG. 3

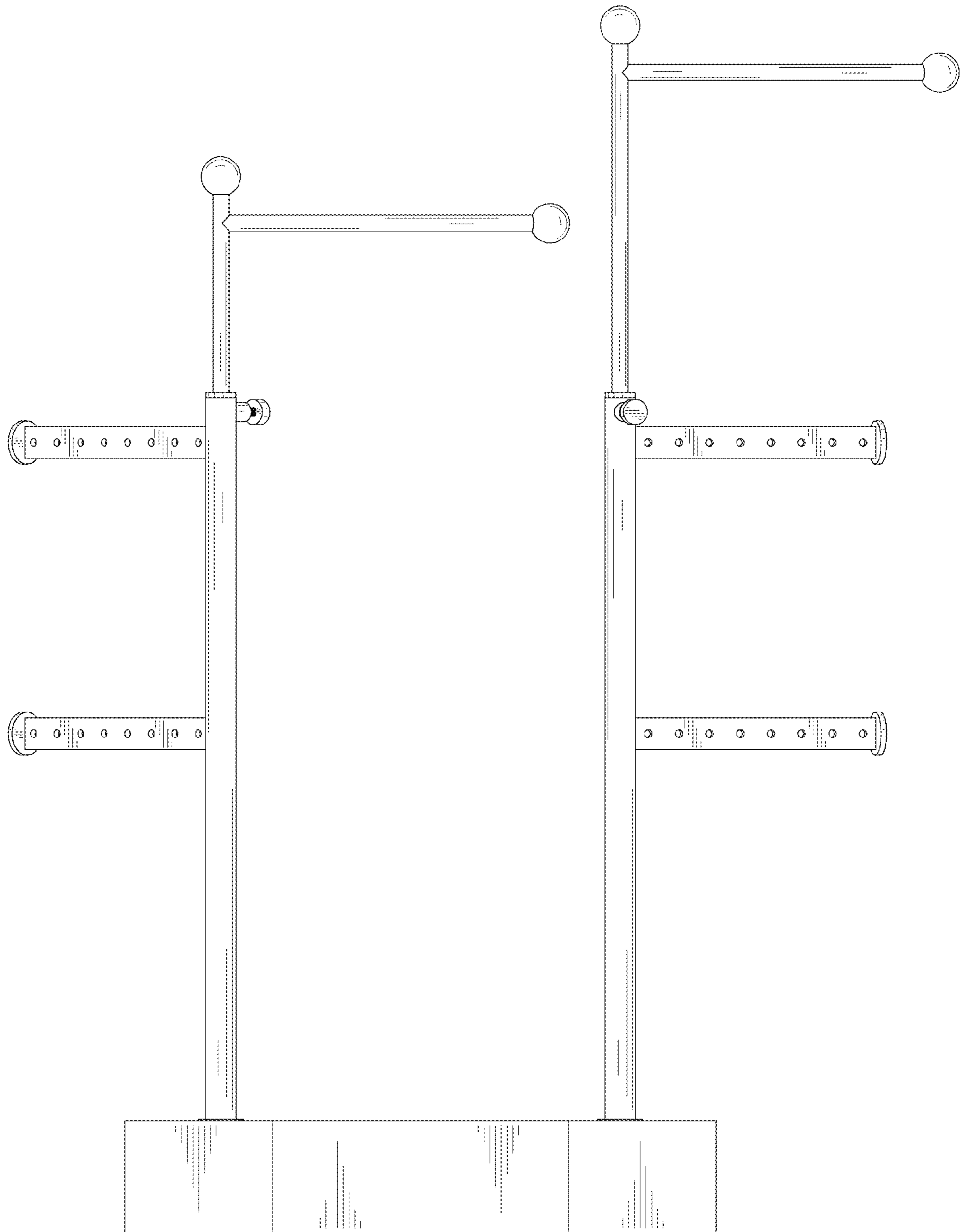


FIG. 4

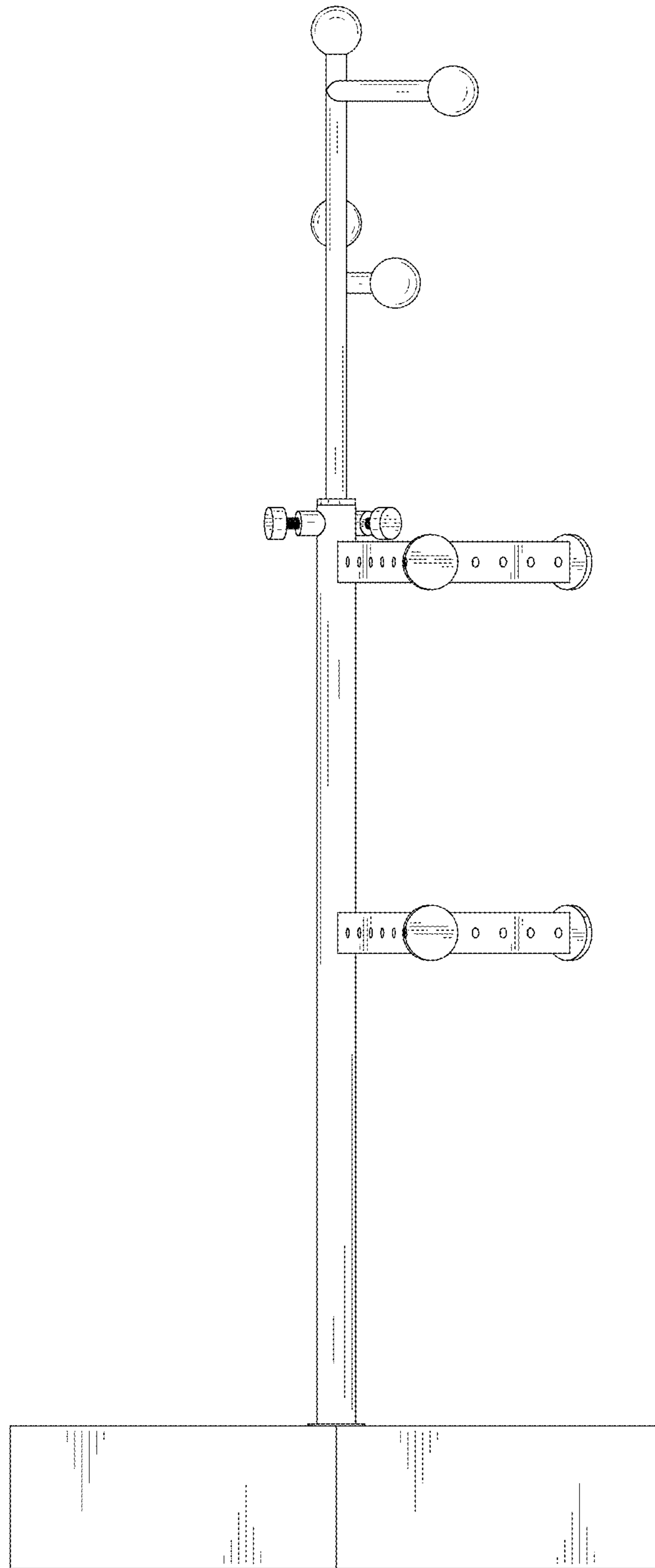


FIG. 5

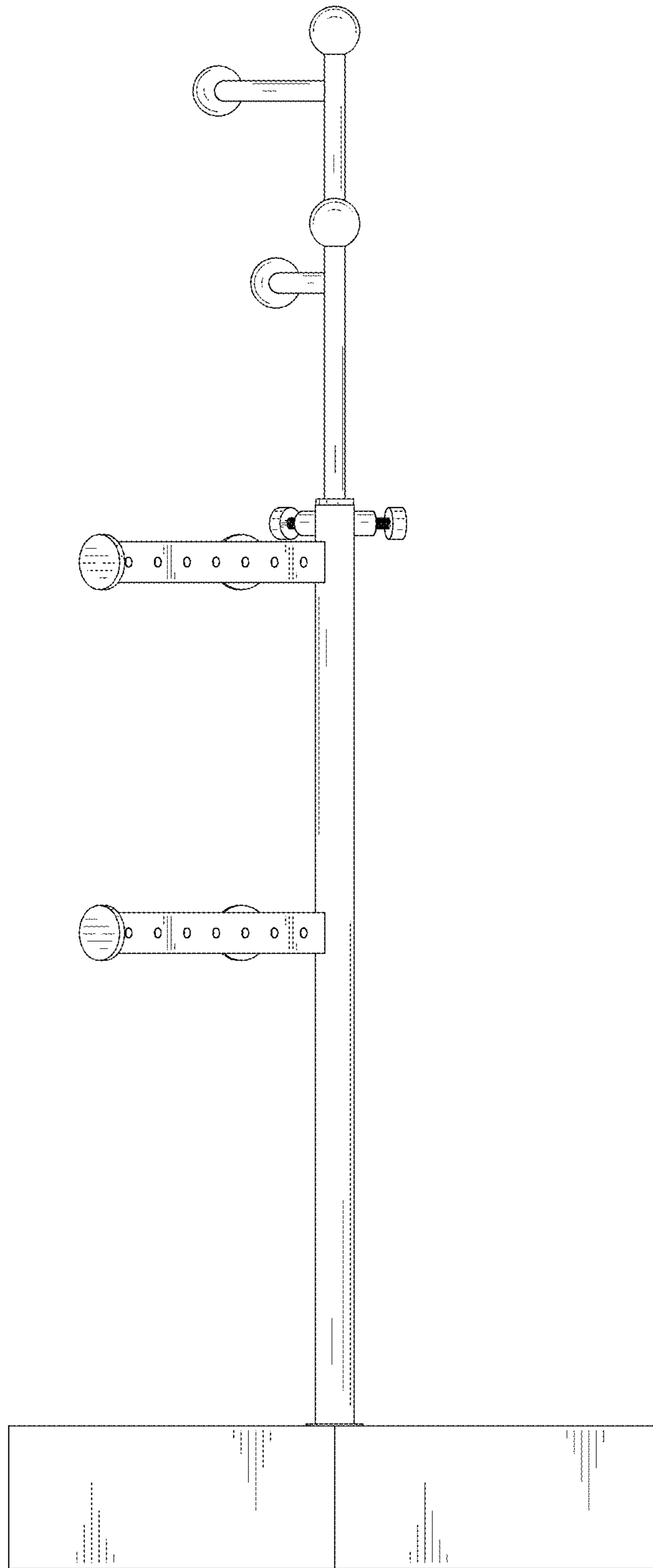


FIG. 6

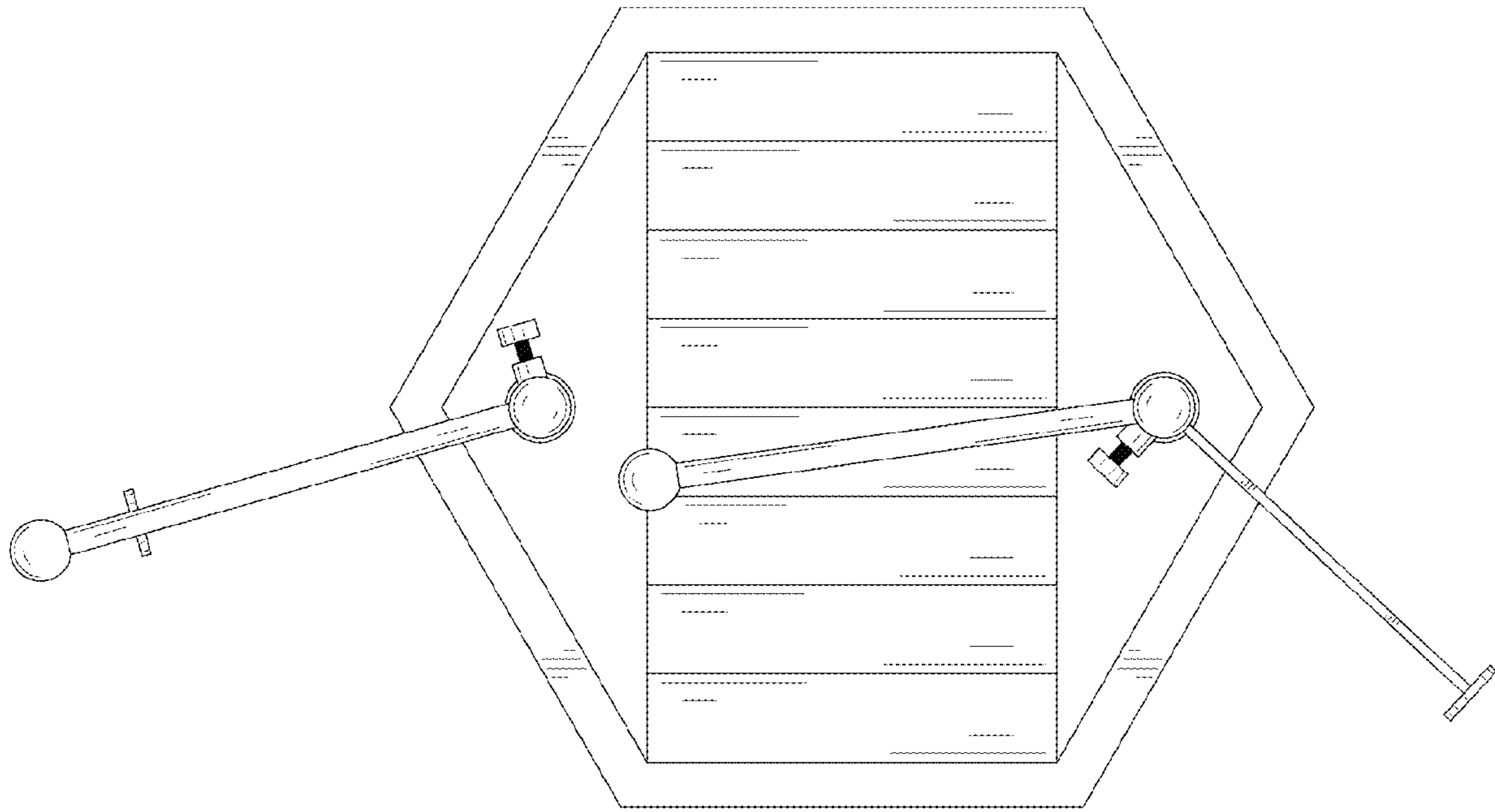


FIG. 7

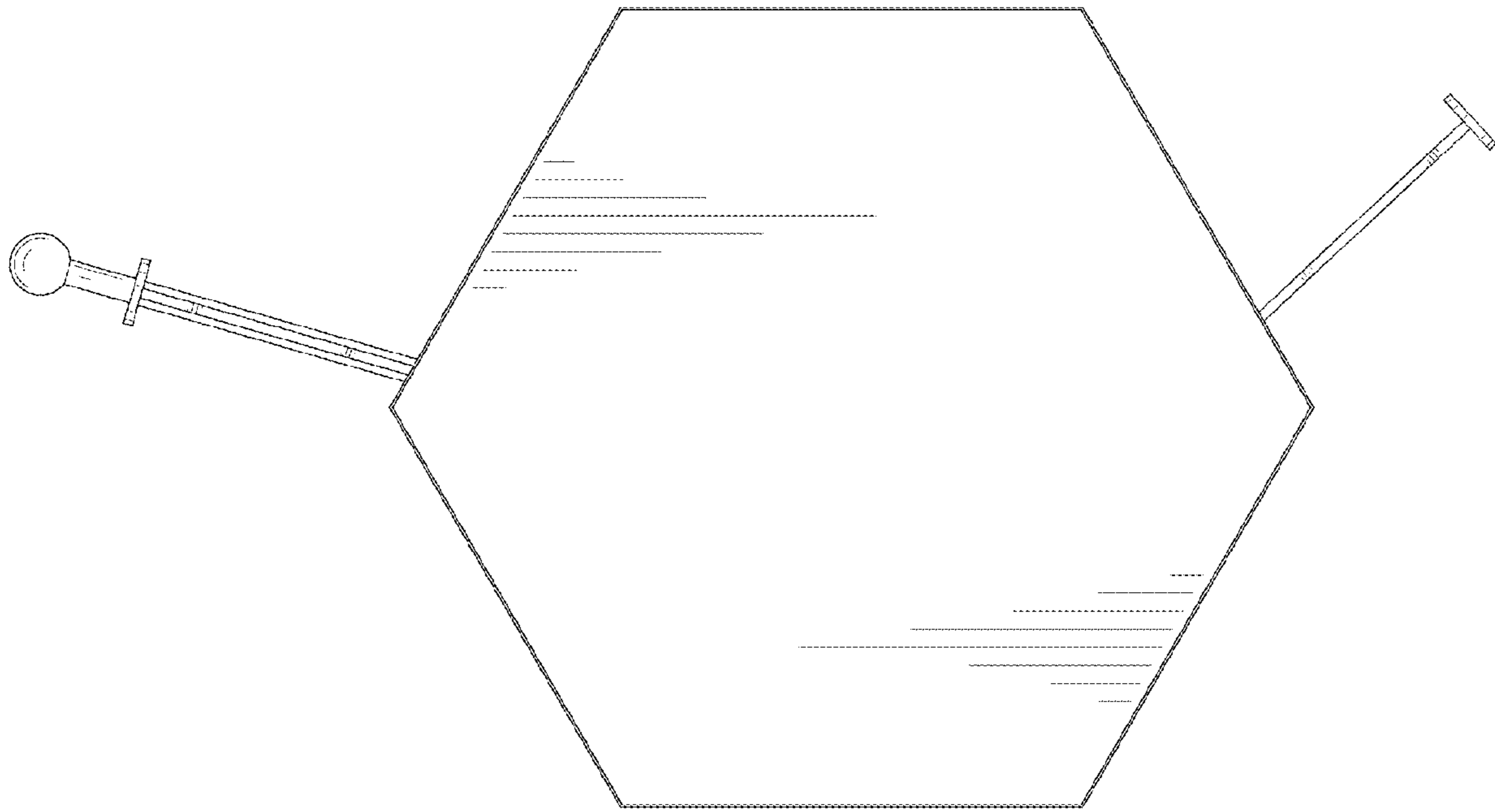


FIG. 8

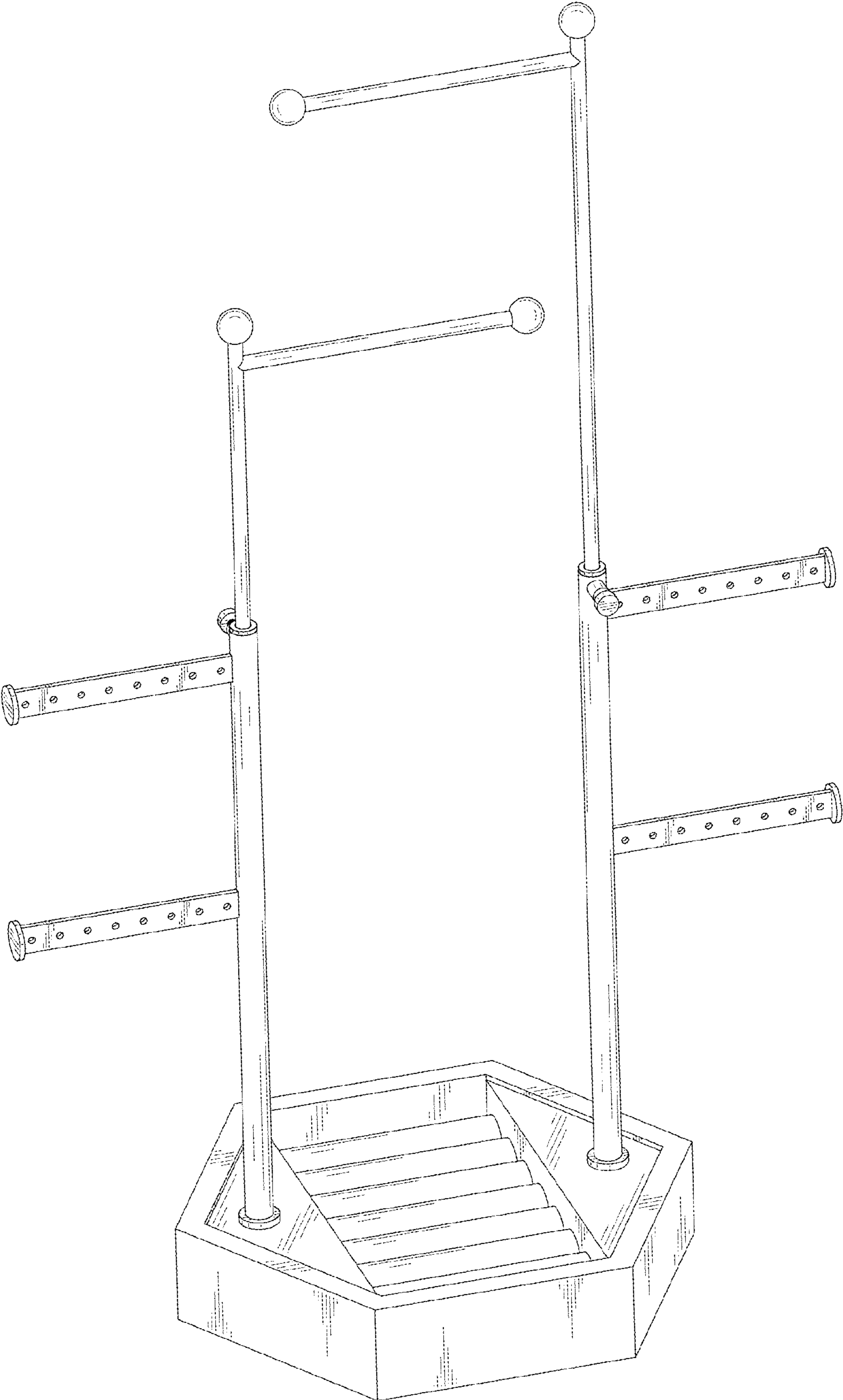


FIG. 9

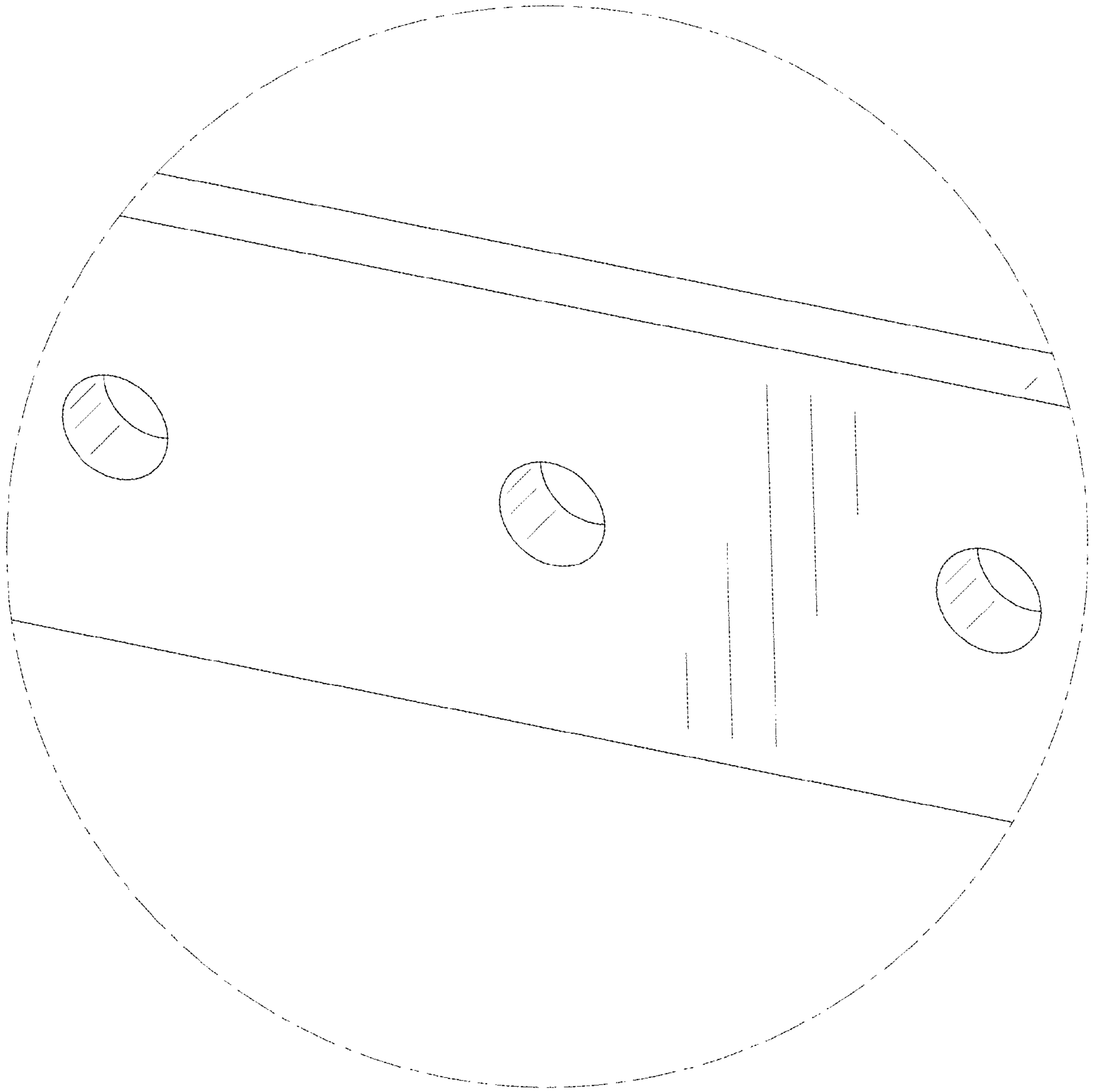


FIG. 10

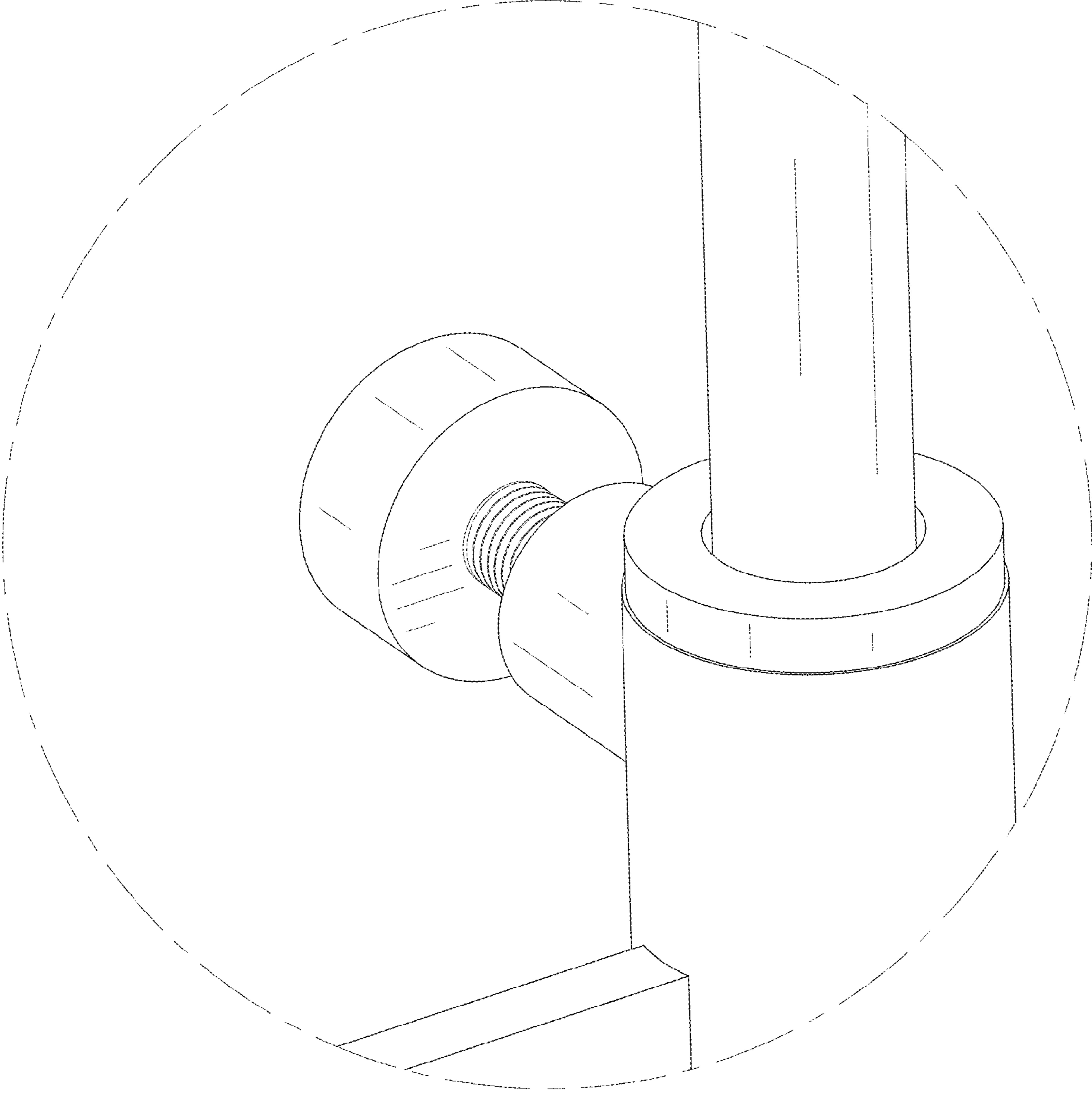


FIG. 11