



US00D979301S

(12) **United States Design Patent** (10) **Patent No.:** **US D979,301 S**  
**Louden** (45) **Date of Patent:** **\*\* Feb. 28, 2023**

(54) **POLE STAND**

(71) Applicant: **Kelly Loudon**, Bend, OR (US)

(72) Inventor: **Kelly Loudon**, Bend, OR (US)

(73) Assignee: **Kelly Loudon**, Bend, OR (US)

(\*\*) Term: **15 Years**

(21) Appl. No.: **29/753,980**

(22) Filed: **Oct. 5, 2020**

(51) **LOC (14) Cl.** ..... **06-04**

(52) **U.S. Cl.**  
USPC ..... **D6/681.1**

(58) **Field of Classification Search**  
USPC ... D6/667, 672, 673, 675–675.5, 676–676.5,  
D6/677–677.5, 678–678.4, 687,  
D6/680–681.3, 682.3–682.6, 712, 681,  
D6/681.1, 682.5, 708.17; D11/166, 181,  
D11/182; D20/17, 41; D21/837, 839;  
(Continued)

(56) **References Cited**

**U.S. PATENT DOCUMENTS**

408,379 A \* 8/1889 Cunningham ..... E04H 12/08  
52/848  
D281,407 S \* 11/1985 Gustafsson ..... D11/181  
(Continued)

**OTHER PUBLICATIONS**

Bistro String Light Poles by Excello Global Products, first available:  
Unknown. Amazon.com [online], [site visited Mar. 17, 2022],  
Internet URL: [https://www.amazon.com/dp/B08T4H454F/ref=sspa\\_dk\\_detail\\_0](https://www.amazon.com/dp/B08T4H454F/ref=sspa_dk_detail_0) (Year: 2022).\*

(Continued)

*Primary Examiner* — Steven J Czyz  
*Assistant Examiner* — Hillary Catherine Shepard

(74) *Attorney, Agent, or Firm* — Kilpatrick Townsend & Stockton LLP

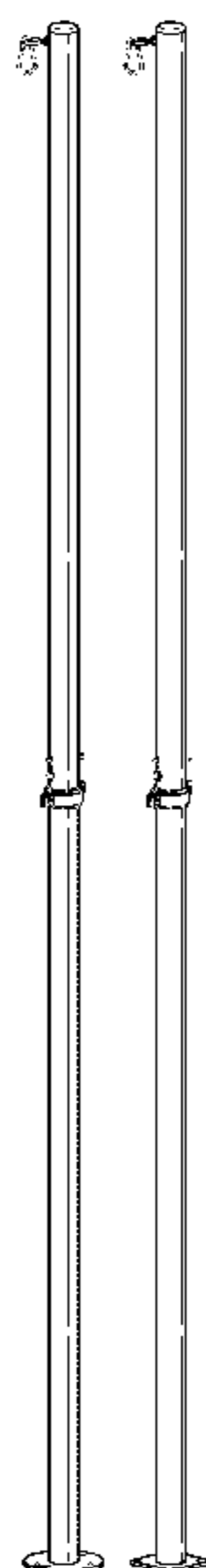
(57) **CLAIM**

The ornamental design for a pole stand, as shown and described.

**DESCRIPTION**

FIG. 1 is a perspective view of a pole stand, showing my new design.  
FIG. 2 is a top plan view thereof;  
FIG. 3 is a bottom plan view thereof;  
FIG. 4 is a front elevation view thereof disassembled;  
FIG. 5 is a rear elevation view thereof;  
FIG. 6 is a left side elevation view thereof;  
FIG. 7 is a right side elevation view thereof;  
FIG. 8 is an enlarged perspective view of a middle portion of the pole stand;  
FIG. 9 is an enlarged perspective view of a top portion of the pole stand; and  
FIG. 10 is an enlarged perspective view of a bottom portion of the pole stand.  
FIG. 11 is a perspective view of a second embodiment of the pole stand showing the new design;  
FIG. 12 is a front elevation view thereof disassembled;  
FIG. 13 is a rear elevation view thereof;  
FIG. 14 is a left side elevation view thereof;  
FIG. 15 is a right side elevation view thereof;  
FIG. 16 is a top plan view thereof;  
FIG. 17 is a bottom plan view thereof;  
FIG. 18 is an enlarged perspective view of a middle portion of the pole stand;  
FIG. 19 is an enlarged perspective view of a top portion of the pole stand; and,  
FIG. 20 is an enlarged perspective view of a bottom portion of the pole stand.  
The broken lines depict portions of the article that form no part of the claimed design.

**1 Claim, 6 Drawing Sheets**



(58) **Field of Classification Search**

USPC ..... D25/126, 56, 58, 66; D30/151, 154;  
D32/60  
CPC ..... A47F 5/0043; A47F 5/008; A47F 3/00;  
A47F 3/004; A47F 5/0018; A47F 5/00;  
E04F 21/18; E04G 21/24; E04G 21/243;  
E04G 21/30; E04G 25/065; E04G 12/06;  
E04H 12/2269; E04H 12/2261; E04H  
12/22; E04H 12/2238; E04H 12/08  
See application file for complete search history.

(56) **References Cited**

U.S. PATENT DOCUMENTS

D332,311 S \* 1/1993 Redding ..... D24/128  
D338,531 S \* 8/1993 Howell ..... D24/197  
D339,009 S \* 9/1993 Evenson ..... D6/681.3  
D372,316 S \* 7/1996 Purvis ..... D25/126  
D395,496 S \* 6/1998 Wang ..... D23/378  
6,266,939 B1 \* 7/2001 Yates ..... E04F 21/00  
52/749.1  
D471,650 S \* 3/2003 Dani ..... D25/126  
D541,948 S \* 5/2007 Robson ..... D25/58  
D576,647 S \* 9/2008 Furutani ..... D15/199  
D583,425 S \* 12/2008 Kushner ..... D21/691  
D594,777 S \* 6/2009 Oakley ..... D11/182  
D612,954 S \* 3/2010 Perko ..... D25/122  
D625,528 S \* 10/2010 Sprague ..... D6/681  
D653,724 S \* 2/2012 Li ..... D21/839  
D675,038 S \* 1/2013 Barbieri ..... D6/681.1

D737,605 S \* 9/2015 Hornsby ..... D8/376  
D794,619 S \* 8/2017 Kim ..... D14/239  
D825,961 S \* 8/2018 Vaults ..... D6/677.1  
10,231,557 B2 \* 3/2019 Wilke ..... A47F 5/112  
D883,853 S \* 5/2020 Clarkin ..... D11/181  
D899,827 S \* 10/2020 Louden ..... D6/681.1  
D903,026 S \* 11/2020 Hendrick ..... D21/799.1  
D920,685 S \* 6/2021 Lee ..... D6/315  
D923,979 S \* 7/2021 Gale ..... D6/675  
D924,311 S \* 7/2021 Ke ..... D16/242  
D942,190 S \* 2/2022 Li ..... D6/681  
2010/0133395 A1 \* 6/2010 Durello ..... A47F 5/106  
248/158  
2017/0350159 A1 \* 12/2017 Tuthill ..... E04H 12/2223  
2020/0157832 A1 \* 5/2020 Van Hoek-Patterson .....  
E02D 27/42  
2020/0347633 A1 \* 11/2020 Hongthong ..... E04H 12/2238

OTHER PUBLICATIONS

String Light Pole for Outside by Active Gift Store, first available:  
Sep. 2, 2021. Amazon.com [online], [site visited Mar. 17, 2022],  
Internet URL: [https://www.amazon.com/Outside-Outdoor-Heavy-Duty-Hanging-Birthday/dp/B09F8L1HN2/ref=sr\\_1\\_33?th=1](https://www.amazon.com/Outside-Outdoor-Heavy-Duty-Hanging-Birthday/dp/B09F8L1HN2/ref=sr_1_33?th=1) (Year:  
2021).  
String Light Pole Stand by IYN Stands, first available: Sep. 11,  
2019. iynstands.com [online], [site visited Mar. 17, 2022], Internet  
URL: <https://iynstands.com/collections/string-light-pole-stands/products/string-light-pole-stand-with-mounting-plate-hang-string-lights-or-privacy-screening> (Year: 2019).\*

\* cited by examiner

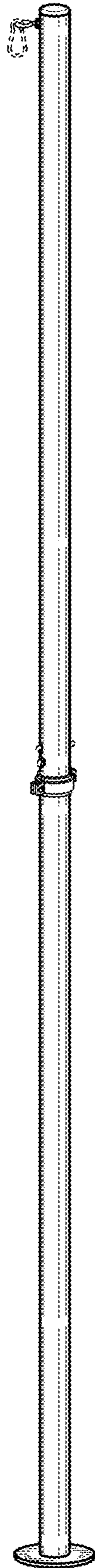


FIG. 1

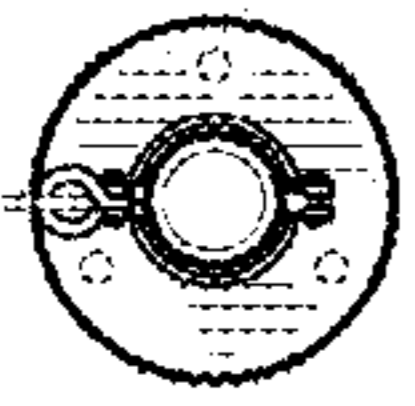


FIG. 2

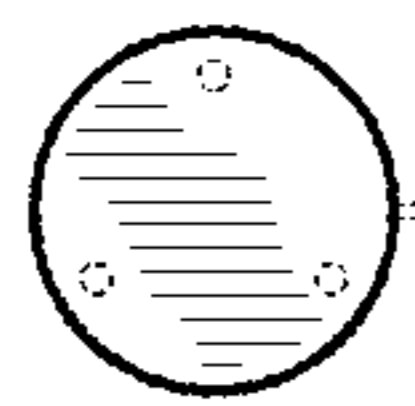


FIG. 3

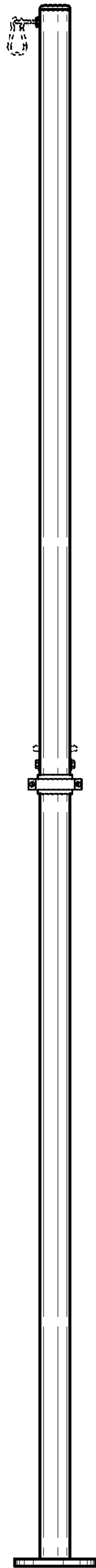


FIG. 4

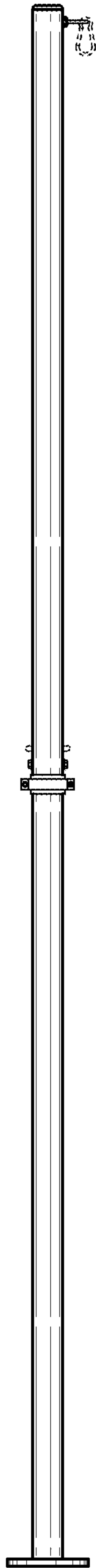


FIG. 5

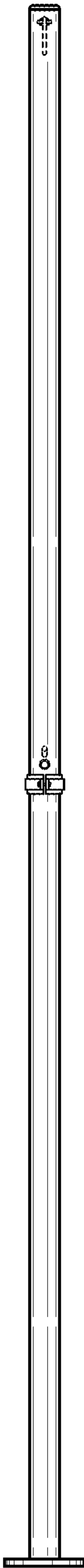


FIG. 6

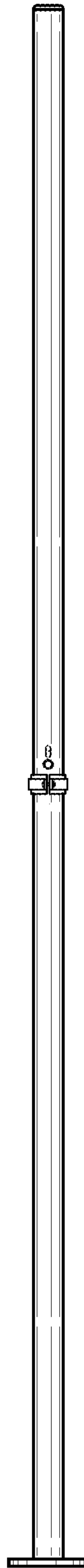


FIG. 7

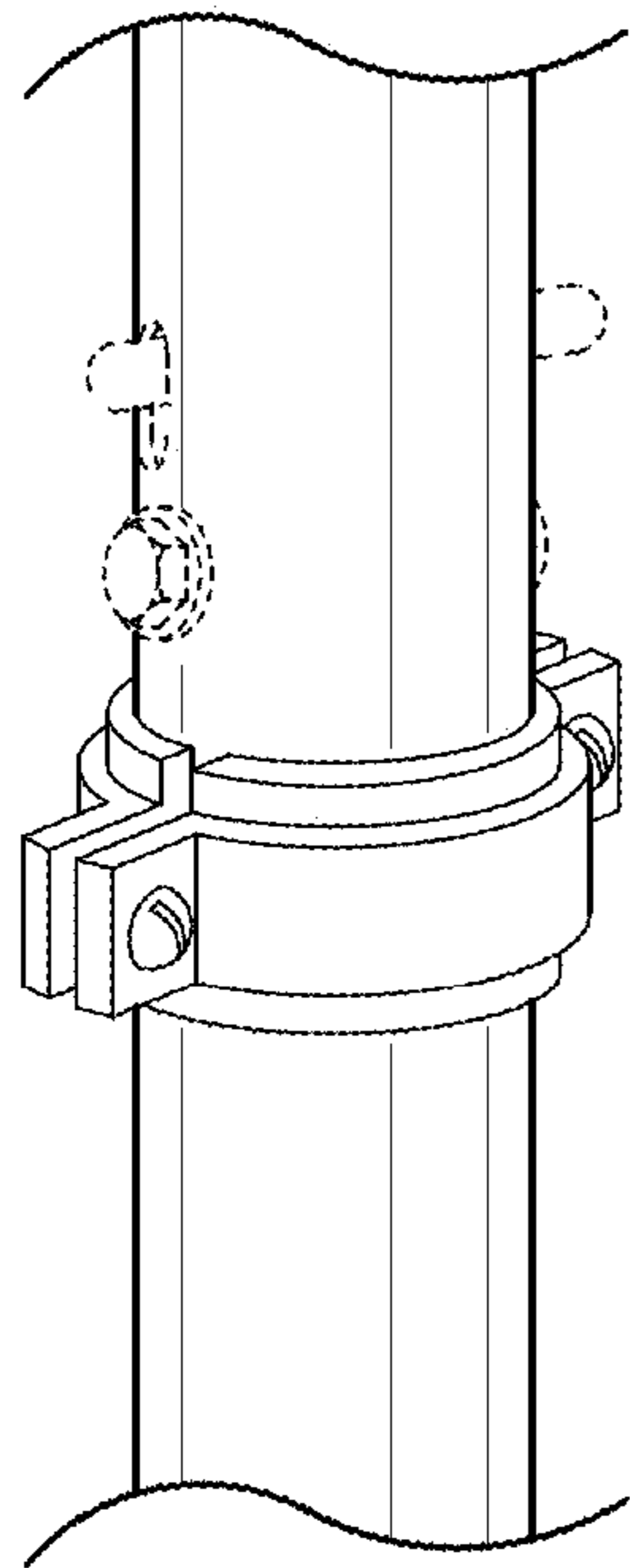


FIG. 8

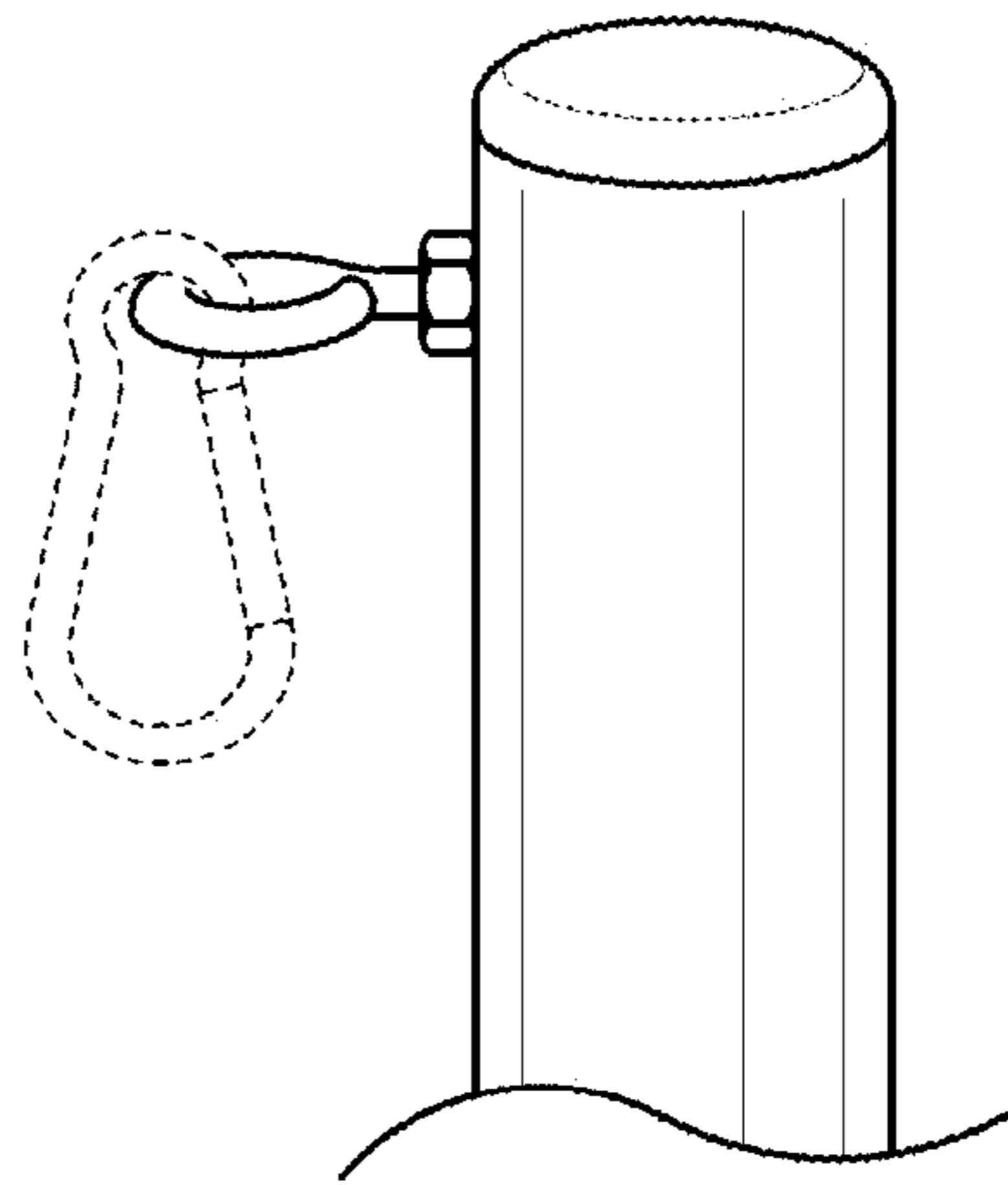


FIG. 9

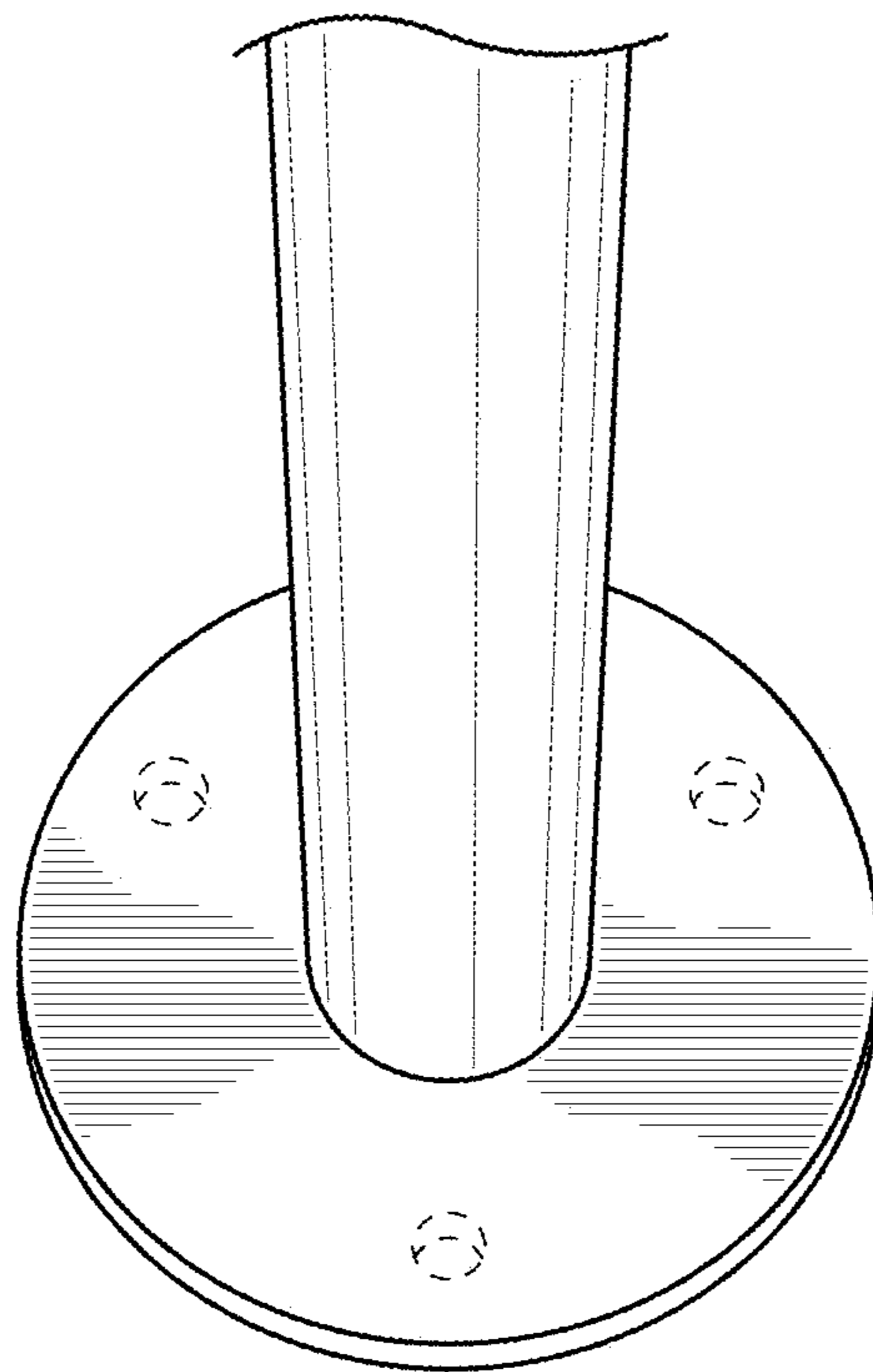


FIG. 10

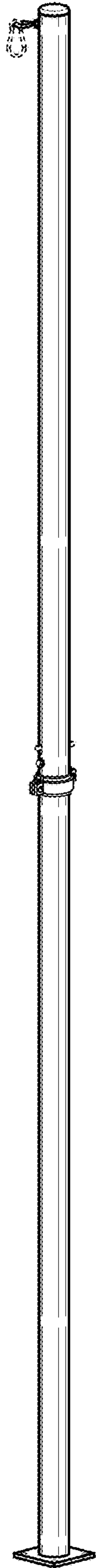


FIG. 11

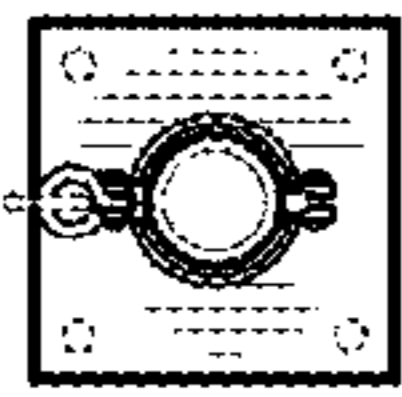


FIG. 16



FIG. 17

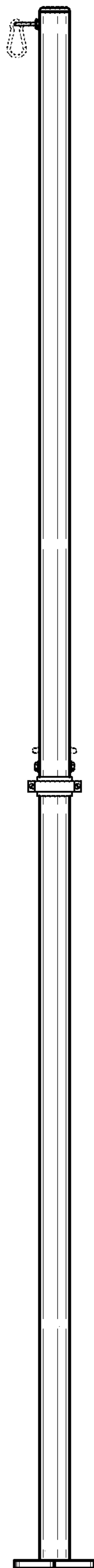


FIG. 12

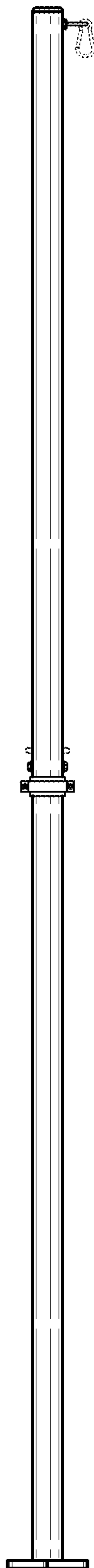


FIG. 13

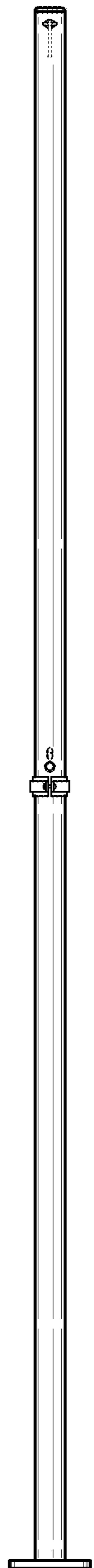


FIG. 14

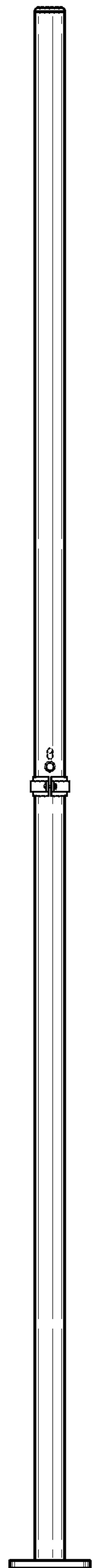


FIG. 15



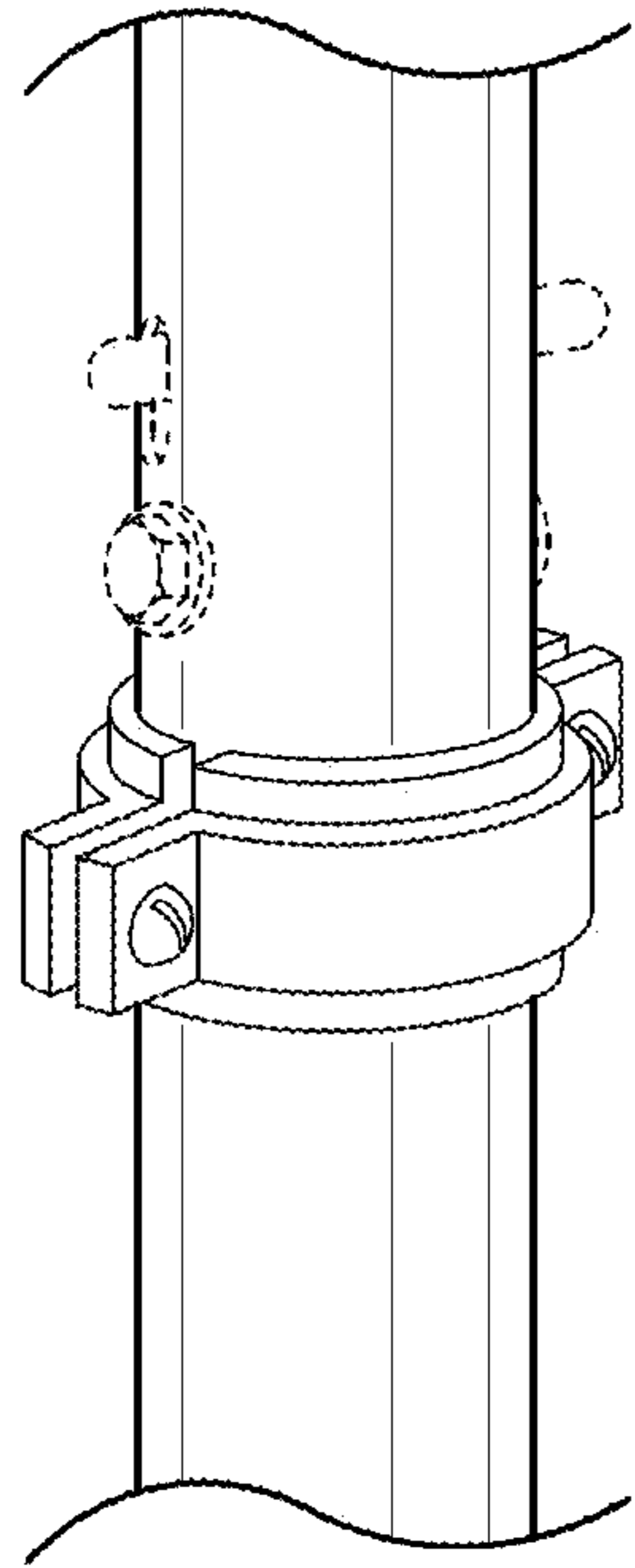


FIG. 18

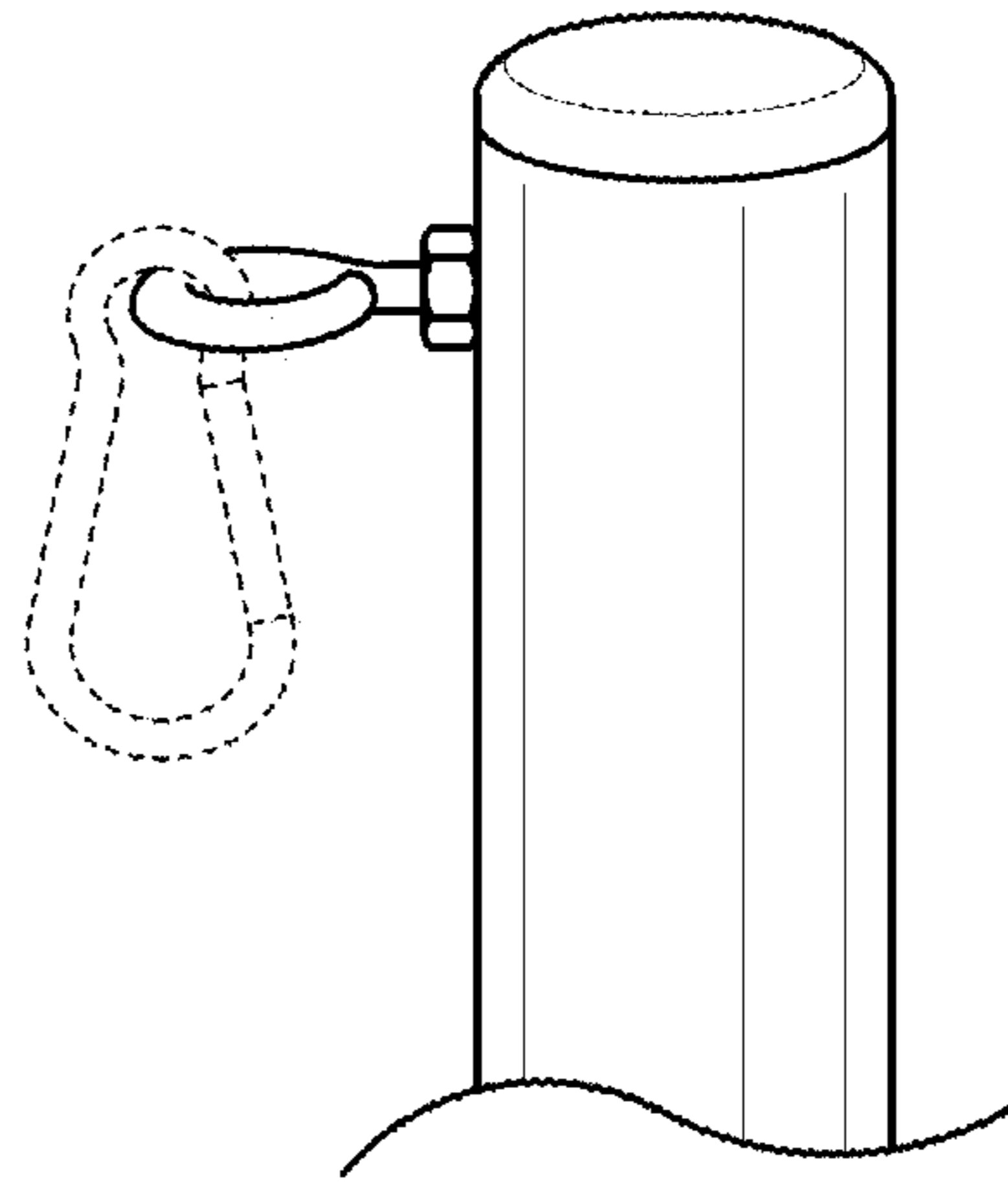


FIG. 19

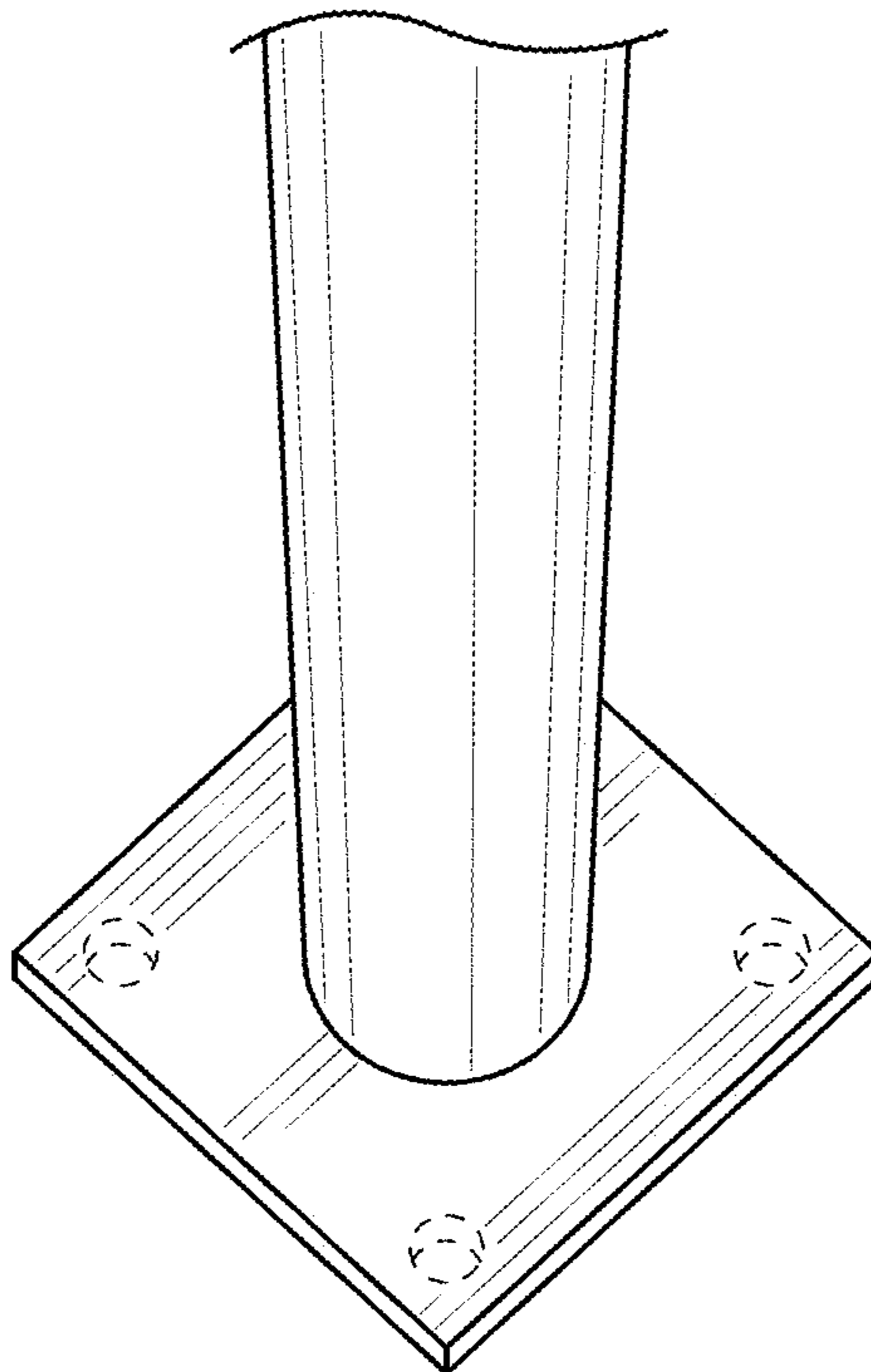


FIG. 20