



US00D979295S

(12) **United States Design Patent** (10) **Patent No.:** **US D979,295 S**
Naylor (45) **Date of Patent:** **** Feb. 28, 2023**

(54) **SIDEBOARD**

FOREIGN PATENT DOCUMENTS

(71) Applicant: **WALKER EDISON FURNITURE COMPANY LLC**, West Jordan, UT (US)

CN 304163895 9/2017
CN 304770575 8/2018

(Continued)

(72) Inventor: **Alexa Naylor**, South Jordan, UT (US)

OTHER PUBLICATIONS

(73) Assignee: **Walker Edison Furniture Company LLC**, West Jordan, UT (US)

Tessa Solid Wood Prism Sideboard by Walker Edison, first available: Unknown. Walkeredison.com [online], [site visited May 17, 2022], Internet URL: <https://walkeredison.com/collections/wood-consoles/products/tessa-solid-wood-prism-sideboard?variant=39272919203906> (Year: 2022).*

(**) Term: **15 Years**

(Continued)

(21) Appl. No.: **29/767,919**

(22) Filed: **Jan. 26, 2021**

Primary Examiner — Steven J Czyz

(51) **LOC (14) Cl.** **06-04**

Assistant Examiner — Hillary Catherine Shepard

(52) **U.S. Cl.**
USPC **D6/671.1**

(74) *Attorney, Agent, or Firm* — Workman Nydegger

(58) **Field of Classification Search**
USPC D6/657, 661, 660, 662, 662.1, 663, 671,
D6/671.1, 671.2

(57) **CLAIM**

The ornamental design for a sideboard, as shown and described.

CPC A47B 67/00; A47B 67/04; A47B 2220/01;
A47B 85/00; A47B 81/06; A47B 17/00;
A47F 3/00; A47F 7/005

DESCRIPTION

See application file for complete search history.

FIG. 1 is a front left perspective view of a sideboard showing the new design;
FIG. 2 is a front left perspective view, showing the sideboard in an alternate state thereof;
FIG. 3 is a front right perspective view thereof;
FIG. 4 is a front right perspective view, showing the sideboard in an alternate state thereof;
FIG. 5 is a front elevation view thereof;
FIG. 6 is a back elevation view thereof;
FIG. 7 is a top plan view thereof;
FIG. 8 is a bottom plan view thereof;
FIG. 9 is a right elevation view thereof; and,
FIG. 10 is a left elevation view thereof.

The broken lines in the drawings are for the purpose of illustrating portions of the article that form no part of the claimed design.

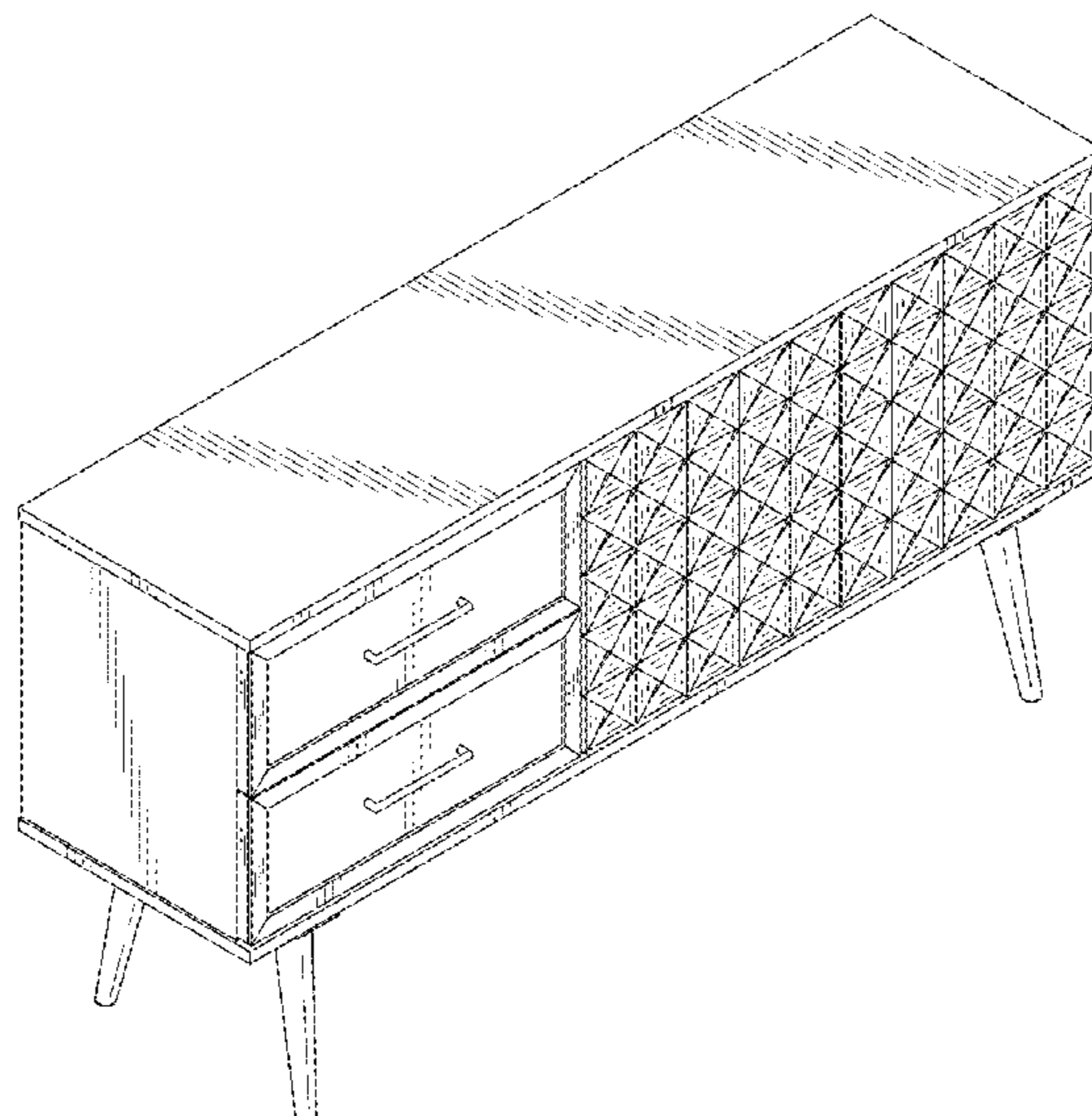
(56) **References Cited**

U.S. PATENT DOCUMENTS

1,097,697 A	5/1914	Weston
D47,441 S	6/1915	Ullin
D56,556 S	11/1920	Gray
1,475,088 A	11/1923	Specht et al.
1,538,393 A	5/1925	Martin
D103,250 S	2/1937	Parrish
2,099,387 A	11/1937	Cohn
2,132,608 A	10/1938	Eaton
D116,245 S	8/1939	Shucliff
D120,370 S	5/1940	Bach
2,207,307 A	7/1940	Teller

(Continued)

1 Claim, 5 Drawing Sheets



(56)

References Cited

U.S. PATENT DOCUMENTS

D141,016 S	4/1945	Stanitz	
D142,049 S	8/1945	Waddell	
2,489,493 A	11/1949	Kuenzie	
D165,241 S	11/1951	Porter	
D166,077 S	3/1952	Haas	
2,696,419 A	12/1954	Wallance	
D175,869 S	10/1955	Trout	
2,743,720 A	5/1956	Dollinger	
D182,832 S	5/1958	Lubbarts	
D182,836 S	5/1958	Lubbarts	
D183,838 S	5/1958	Lubbarts	
2,836,871 A	6/1958	Sidney	
D183,577 S	9/1958	McCarthy	
2,850,346 A	9/1958	Holderle	
D183,788 S	10/1958	Carter	
2,884,675 A	5/1959	Richard	
D185,936 S	8/1959	Louis	
D186,113 S *	9/1959	Church	D6/671
D186,115 S	9/1959	Church	
2,918,176 A	12/1959	Bell	
D187,232 S	2/1960	Matyas	
D188,196 S	6/1960	Lubbarts	
D188,197 S	6/1960	Swarts	
D189,041 S *	10/1960	Knudsen	D6/671
2,954,838 A *	10/1960	Nuorivaara	E04B 1/86 181/290
3,039,621 A	6/1962	Pilcher	
D193,516 S	9/1962	Deaton	
D195,726 S	7/1963	Harper	
D196,451 S	10/1963	McMullen	
3,217,671 A	11/1965	Walsh	
3,272,582 A	9/1966	Anderson/Mack	
3,352,615 A	11/1967	Sandin	
3,354,878 A	11/1967	Balls	
3,369,278 A	2/1968	Humphreys	
D216,899 S	3/1970	Thomas	
D220,704 S	5/1971	Kramer	
3,589,746 A	6/1971	Inglis	
RE27,186 E	10/1971	Ferdinand	
RE27,200 E	10/1971	Unavailbale	
3,688,707 A	9/1972	Maurice	
D226,832 S	5/1973	Davis	
3,762,789 A	10/1973	Robertson	
3,766,863 A	10/1973	Swick	
D230,446 S	2/1974	Price	
D233,294 S	10/1974	Goulder	
3,855,637 A	12/1974	Luger	
D236,676 S	9/1975	Urti	
D236,781 S	9/1975	Cowley	
D237,231 S	10/1975	Wells	
D238,277 S	12/1975	Parker	
D239,352 S	3/1976	Petrick	
D239,893 S *	5/1976	Eisen	D6/671.1
D240,381 S	7/1976	Tazaki	
D244,112 S	4/1977	Friedman	
D244,113 S	4/1977	Friedman	
D248,429 S	7/1978	Inohara	
D249,429 S	9/1978	Robinson	
D249,860 S	10/1978	Ungaro	
4,182,244 A	1/1980	Hutchins	
D259,316 S	5/1981	Offredi	
D262,847 S	2/1982	Keller	
D267,532 S	1/1983	Platner	
D269,754 S	7/1983	Kates	
D270,858 S	10/1983	McInnes	
D271,259 S	11/1983	Smith	
D273,829 S	5/1984	Desnoyers	
D274,152 S	6/1984	Fleming	
D281,901 S	12/1985	Demrick	
D283,182 S	4/1986	Marshall	
D283,343 S	4/1986	Haythornthwaite	
D289,474 S	4/1987	Underwood	
D293,177 S	12/1987	Hamami	
D293,521 S	1/1988	Handler	
4,793,667 A	12/1988	Gilliom	
D301,417 S	6/1989	Wistehuff	
D303,596 S	9/1989	Goetz	
D304,982 S	12/1989	Bush	
D305,930 S	2/1990	MacAleese	
D306,106 S	2/1990	Bush	
D319,230 S	8/1991	Sugiyama	
5,036,778 A	8/1991	Brioso	
D319,743 S	9/1991	Grey	
D321,571 S	11/1991	Lucariello	
D322,184 S	12/1991	Prevedello	
D325,680 S	4/1992	Kiiski	
D327,735 S	7/1992	Smith	
D328,341 S	7/1992	Chiu	
D329,693 S	9/1992	Mills	
D330,470 S	10/1992	Bennett	
D336,184 S	6/1993	Borgen	
D336,392 S	6/1993	Whalen	
D347,754 S	6/1994	Mehlin	
D348,576 S	7/1994	Narramore	
D348,726 S	7/1994	Wilson	
D353,960 S	1/1995	Barfield	
5,409,122 A	4/1995	Lazarus	
5,452,812 A	9/1995	Niequist	
D363,176 S	10/1995	Berry	
D363,841 S	11/1995	Nourse	
D364,055 S	11/1995	Pakla	
D364,064 S	11/1995	Lorenz	
5,463,966 A	11/1995	Nilsson	
D365,472 S	12/1995	Rehnberg	
D366,110 S	1/1996	Darr	
D367,383 S	2/1996	Hatrack-Smith	
D373,693 S	9/1996	Elhage	
D377,281 S	1/1997	McFarlane	
5,628,256 A	5/1997	Lazarus	
D384,227 S	9/1997	Grosfillex	
D385,431 S	10/1997	Lee	
5,695,081 A	12/1997	Alkalay	
D389,343 S	1/1998	Van Der Merwe	
D390,936 S	2/1998	French	
5,752,500 A	5/1998	Jamieson	
5,765,265 A	6/1998	Kang	
5,782,231 A	7/1998	Wade	
D398,788 S	9/1998	Schubert	
5,833,084 A	11/1998	Chang	
D403,529 S	1/1999	De Blaay	
D404,937 S	2/1999	Tarlow	
D407,577 S	4/1999	Dorst	
D408,174 S	4/1999	Aspenwall	
D412,252 S	7/1999	Zaidman	
D420,114 S	2/2000	Johnson	
D423,810 S	5/2000	Dorst	
D423,813 S	5/2000	Paus	
D425,330 S	5/2000	O'Hare	
6,074,029 A	6/2000	Snoke	
D428,609 S	7/2000	Williams	
D430,431 S	9/2000	Walter	
D438,727 S	3/2001	McDaniel	
D440,079 S	4/2001	Wohlford	
D446,047 S	8/2001	Stone	
D448,203 S	9/2001	Jeup	
D449,184 S	10/2001	Cain	
D450,492 S	11/2001	Sabo	
D452,624 S	1/2002	de Blois	
D454,264 S	3/2002	Patik	
D454,731 S	3/2002	Niitsu	
D454,732 S	3/2002	Frenkler	
D455,291 S *	4/2002	Jeup	D6/671.1
D455,916 S	4/2002	Fluhrer	
6,393,207 B1	5/2002	Martin	
D458,053 S	6/2002	Luong	
D462,008 S	8/2002	Stone	
D466,333 S	12/2002	Hwang	
6,515,262 B1	2/2003	Li	
D473,404 S	4/2003	de Blois	
D475,225 S	6/2003	McBrayer	
D477,160 S	7/2003	Grosfillex	
D478,432 S	8/2003	Juneau	
D479,925 S	9/2003	Hsieh	
D480,237 S	10/2003	de Carolis	

(56)

References Cited

U.S. PATENT DOCUMENTS

D482,910 S	*	12/2003	Jeup	D6/719.4	D588,831 S	3/2009	Mohundro
D485,450 S		1/2004	Smith		D589,280 S	3/2009	Zambelli
D485,709 S		1/2004	de Blois		D591,533 S	5/2009	Karsson
6,672,465 B2		1/2004	White		D592,432 S	5/2009	Sexton
D486,015 S		2/2004	de Blois		7,530,538 B2	5/2009	Whalen
D492,989 S		7/2004	Beck		D593,776 S	6/2009	Sexton
D495,527 S		9/2004	Walker		D594,248 S	6/2009	Zambelli
D495,898 S		9/2004	Walker		D595,979 S	7/2009	Schweikarth
D496,543 S		9/2004	Forlenza		D598,672 S	8/2009	Maly
6,789,859 B1		9/2004	Ho		D600,946 S	9/2009	Day
D497,741 S		11/2004	Sexton		D601,370 S	10/2009	Kohler
D498,962 S		11/2004	Moon		D604,546 S	11/2009	Alman
D499,274 S		12/2004	Juneau		D605,030 S	12/2009	Kohler
D499,281 S		12/2004	Yamaguchi		D605,874 S	12/2009	Zambelli
D499,582 S		12/2004	McDiamid		D606,331 S	12/2009	Wicha
D499,583 S		12/2004	Anderson		D607,243 S	1/2010	Sugiyama
D500,929 S		1/2005	Walker		D607,244 S	1/2010	Nielsen
D502,617 S		3/2005	Chang		D609,497 S	2/2010	Kanhasamy
D503,570 S		4/2005	Anderson		D609,503 S	2/2010	Hayes
D507,428 S		7/2005	Weatherly		D610,829 S	3/2010	Nelson
D507,899 S		8/2005	Rozenboom		D610,836 S	3/2010	Kohler
D507,900 S		8/2005	Sexton		D611,727 S	3/2010	Vail
D508,801 S		8/2005	Holst		D611,728 S	3/2010	Nielsen
D510,211 S		10/2005	Welborn, Jr.		D612,177 S	3/2010	Marietta
D517,349 S		3/2006	Lara		D612,178 S	3/2010	Marietta
D518,978 S		4/2006	Katz		D612,644 S	3/2010	Marietta
D519,203 S		4/2006	Haas		D613,964 S	4/2010	Nielsen
D519,299 S		4/2006	Boudreau		D614,888 S	5/2010	Sexton
D520,779 S		5/2006	DeBlois		D615,771 S	5/2010	Kohler
D522,771 S		6/2006	Berry		D615,772 S	5/2010	Day
D522,773 S		6/2006	Becker		D617,577 S	6/2010	Day
D524,080 S		7/2006	Stenhouse		D618,015 S	6/2010	Sexton
D526,143 S		8/2006	Bruce		D618,016 S	6/2010	Metcalf
D528,327 S		9/2006	O'Reilly		D620,277 S	7/2010	Wyatt
D529,317 S		10/2006	Takatsuki		D620,278 S	7/2010	Zambelli
D531,835 S		11/2006	Harwanko		D620,283 S	7/2010	Calco
D534,379 S		1/2007	Juneau		D622,834 S	8/2010	Jiang
D534,998 S		1/2007	Charnick		D623,442 S	9/2010	Zambelli
D536,770 S		2/2007	Mayer		D623,443 S	9/2010	Zambelli
D538,406 S		3/2007	Mayer		D623,876 S	9/2010	Zambelli
D539,057 S		3/2007	Senda		D623,877 S	9/2010	Zambelli
D539,565 S		4/2007	Sexton, III		D625,123 S	9/2010	Zambelli
D542,059 S		5/2007	Moyle		D630,453 S	1/2011	Rafieha
D543,057 S		5/2007	Grady		D632,902 S	2/2011	Rafieha
D543,488 S		5/2007	Tobergte		D638,922 S	5/2011	Zhou
D543,728 S		6/2007	Becker		7,934,494 B1	5/2011	Schneider
D548,488 S		8/2007	Weatherly		D640,072 S	6/2011	Sexton
D548,490 S		8/2007	Becker		D641,861 S	7/2011	Okamoto
D549,991 S		9/2007	Stravitz		D644,853 S	9/2011	Becker
D552,334 S	*	10/2007	Lee	D2/959	D648,152 S	11/2011	Walker
D553,879 S		10/2007	Juneau		8,079,311 B2	12/2011	Whalen
D554,393 S		11/2007	Yalif		D652,232 S	1/2012	Walker
D554,897 S		11/2007	Mayer		D653,051 S	1/2012	Lin
D555,397 S		11/2007	Yalif		D653,739 S	2/2012	Gibbs
D559,017 S		1/2008	Domack		D654,289 S	2/2012	Zambelli
D559,583 S		1/2008	Zambelli		D654,995 S	2/2012	Asofsky
D559,584 S		1/2008	Zambelli		D654,996 S	2/2012	Asofsky
D559,585 S		1/2008	Lara		D655,946 S	3/2012	Sexton
D560,077 S		1/2008	Zambelli		D658,750 S	5/2012	Nemes
D560,396 S		1/2008	Weatherly		8,191,485 B1	6/2012	Whalen
D560,403 S		1/2008	Domack		D663,137 S	7/2012	Andersen
D560,930 S		2/2008	Woodward		D663,138 S	7/2012	Andersen
D561,317 S		2/2008	Ou		D665,897 S	8/2012	Martin
D562,597 S		2/2008	Weatherly		D666,281 S	8/2012	Nemes
D564,261 S		3/2008	Sculler		D667,653 S	9/2012	Lenney
D564,789 S		3/2008	deCarolis		D667,654 S	9/2012	Lenney
D566,426 S		4/2008	Stenhouse		D668,475 S	10/2012	Zambelli
D567,346 S		4/2008	Lin		D669,704 S	10/2012	Zambelli
D578,319 S		10/2008	Lim		D669,706 S	10/2012	Zambelli
D579,233 S		10/2008	LeToumeau		D669,707 S	10/2012	Zambelli
D586,580 S		2/2009	Lim		D670,105 S	11/2012	Jespersen
D586,585 S		2/2009	Hynes		D671,769 S	12/2012	Olson
D587,483 S		3/2009	Zambelli		D674,891 S	1/2013	Huang
D587,484 S		3/2009	Mack		D675,716 S	2/2013	Schwartz
D587,497 S		3/2009	Zambelli		D677,074 S	3/2013	Olson
					D677,078 S	3/2013	Lambright
					D687,250 S	8/2013	Weatherly
					D694,873 S	12/2013	Nemes
					D696,758 S	12/2013	Ernst

(56)

References Cited

U.S. PATENT DOCUMENTS

8,607,776 B2	12/2013	Jansson	D825,959 S	8/2018	Rockwell
8,813,656 B1	8/2014	Hazzard	D829,026 S	9/2018	Davis
D716,288 S	10/2014	O'Heron	D829,471 S	10/2018	Fortmann
D717,081 S	11/2014	Dworman	D833,782 S	11/2018	Amacher
D717,569 S	11/2014	Davis	D834,354 S	11/2018	Davis
D718,956 S	12/2014	Heiser	D834,355 S	11/2018	Davis
D718,957 S	12/2014	Heiser	D835,437 S	12/2018	Stukenberg
D719,384 S	12/2014	Sowers	D835,925 S	12/2018	Denby
D720,563 S	1/2015	Burden	D838,520 S	1/2019	Knox
D722,458 S	2/2015	Chen	D838,523 S	1/2019	Yamamoto
D723,148 S	2/2015	Lawrence	D843,756 S	3/2019	Johnson
D723,843 S	3/2015	Lai	D845,041 S	* 4/2019	Davis D6/675
9,004,060 B2	4/2015	Benedetti	D845,679 S	4/2019	Li
D728,280 S	5/2015	Weatherly	D845,683 S	4/2019	Pedersen
D728,975 S	5/2015	Park	D848,766 S	5/2019	Chen
D730,089 S	5/2015	Carbone	D848,767 S	5/2019	Smrstick
D731,823 S	6/2015	Kelinske	D848,768 S	5/2019	Johnson
D736,012 S	8/2015	Davis	D848,770 S	5/2019	Davis
D737,418 S	8/2015	Hrydovyy	D849,457 S	5/2019	Kundig
D738,477 S	9/2015	Nemes	D850,815 S	6/2019	Nicoll
D738,647 S	9/2015	Muller	D851,426 S	6/2019	Saotome
D741,090 S	10/2015	Ward	D852,429 S	6/2019	Rathman
D741,630 S	10/2015	Meissner	D853,052 S	7/2019	Rathman
D742,142 S	11/2015	Everson	D856,038 S	8/2019	Parikh
D742,662 S	11/2015	Muller	D856,039 S	8/2019	Parikh
D743,192 S	11/2015	Davis	D862,132 S	8/2019	Bhatt-Patel
D746,614 S	1/2016	Sheppard	D858,148 S	9/2019	Crutcher
D747,123 S	1/2016	Zambelli	D859,038 S	9/2019	Davis
D747,788 S	1/2016	Baker	D860,687 S	9/2019	Parikh
D747,900 S	1/2016	Sheppard	D860,689 S	9/2019	Davis
9,228,742 B2	1/2016	Akiyama	D861,388 S	10/2019	Bray
D748,768 S	2/2016	Stanton	D862,940 S	10/2019	Bray
D752,905 S	4/2016	Healy	D862,943 S	10/2019	Nakamura
D753,930 S	4/2016	Vengadakrishnan	D862,944 S	10/2019	Nakamura
D757,350 S	5/2016	Levy	D863,841 S	10/2019	Dumouchel
D758,766 S	6/2016	Kirar	D864,627 S	10/2019	Rockwell
D759,997 S	6/2016	Ruiz	D866,225 S	11/2019	Gelman
D767,752 S	6/2016	Davis	D867,032 S	11/2019	Bellini
D767,753 S	9/2016	Edmund	10,473,335 B2	11/2019	Nemes et al.
D767,921 S	10/2016	Burden	D869,201 S	12/2019	Davis
D768,413 S	10/2016	Huang	D869,202 S	12/2019	Davis
D773,862 S	12/2016	Davis	D870,492 S	12/2019	Young
D774,336 S	* 12/2016	Pomputius D6/703.3	D870,493 S	12/2019	Young
D775,866 S	1/2017	Ben Avi	D871,803 S	1/2020	Young
D777,479 S	1/2017	Anderson	D874,192 S	2/2020	Velez
D778,641 S	2/2017	Anderson	D878,116 S	3/2020	Davis
D778,646 S	2/2017	Davis	D878,816 S	3/2020	Davis
D783,324 S	4/2017	Akana	D878,817 S	3/2020	Davis
D791,302 S	7/2017	Davis	D878,822 S	* 3/2020	Davis D6/669
D791,522 S	7/2017	Rafieha	D879,516 S	* 3/2020	Davis D6/657
D792,132 S	7/2017	Peota	D880,201 S	4/2020	Kraemer
D793,776 S	8/2017	Davis	D882,989 S	5/2020	Davis
D798,640 S	10/2017	Anderson	D885,091 S	5/2020	Davis
D804,861 S	12/2017	Failing	D886,499 S	6/2020	Davis
D805,329 S	12/2017	Rockwell	D888,467 S	6/2020	Li
D807,671 S	1/2018	Caillouet	D891,831 S	8/2020	Davis
D808,203 S	1/2018	Davis	D894,641 S	9/2020	Davis
D808,688 S	1/2018	Everson	D896,013 S	* 9/2020	Tan D6/703.3
D808,690 S	1/2018	Hsu	D900,510 S	11/2020	Davis
D812,938 S	3/2018	Moore	D904,079 S	12/2020	Davis
D814,410 S	4/2018	Emslie	D904,082 S	12/2020	Davis
D815,465 S	4/2018	Hannoosh	D904,084 S	12/2020	Davis
D817,037 S	5/2018	Davis	D904,801 S	* 12/2020	Davis D6/657
D817,038 S	5/2018	Davis	D904,802 S	* 12/2020	Davis D6/657
D817,040 S	5/2018	Davis	D904,803 S	12/2020	Davis
D817,666 S	5/2018	Davis	D904,804 S	12/2020	Davis
D817,667 S	5/2018	Davis	D906,020 S	12/2020	Davis
D817,668 S	5/2018	Davis	D906,021 S	12/2020	Davis
D818,750 S	5/2018	Hannoosh	D908,403 S	1/2021	Cayouette
D821,038 S	6/2018	Rathman	D908,404 S	1/2021	Davis
D824,703 S	8/2018	Yamamoto	D908,405 S	1/2021	Davis
D825,225 S	8/2018	Massaud	D909,797 S	2/2021	Davis
D825,230 S	8/2018	Massaud	D909,799 S	2/2021	Nicoll
D825,232 S	8/2018	Massaud	D914,400 S	3/2021	Davis
D825,233 S	8/2018	Yamamoto	D916,537 S	4/2021	Davis
			D920,015 S	5/2021	Ye
			D922,106 S	* 6/2021	Li D6/657
			D922,798 S	6/2021	Packer

(56)

References Cited

U.S. PATENT DOCUMENTS

D922,799 S 6/2021 Davis
 D922,804 S 6/2021 van Thiel
 D926,500 S 8/2021 Davis
 D927,897 S 8/2021 Chu
 D927,898 S 8/2021 Davis
 D931,016 S 9/2021 Davis
 D931,662 S 9/2021 Davis
 D935,237 S 11/2021 Davis
 D939,252 S 12/2021 Barris
 D941,064 S 1/2022 Packer
 D946,317 S 3/2022 Packer
 D946,319 S 3/2022 Packer
 D947,580 S 4/2022 Packer
 D947,581 S 4/2022 Packer
 D948,896 S 4/2022 Chu
 D951,684 S 5/2022 Packer
 D954,475 S 6/2022 Packer
 2004/0074858 A1 4/2004 Thuma
 2004/0079714 A1 4/2004 Andrew
 2004/0160087 A1 8/2004 Tiesler
 2004/0222721 A1 11/2004 Kelley
 2004/0237853 A1 12/2004 Sholz
 2005/0000241 A1 1/2005 Kucera
 2005/0103734 A1 5/2005 Saltzberg
 2007/0062983 A1 3/2007 Barnett
 2007/0138119 A1 6/2007 Schwerdlin
 2007/0236111 A1 10/2007 Gray
 2007/0236113 A1 10/2007 McCambridge
 2008/0116771 A1 5/2008 Green
 2008/0181587 A1 7/2008 Patil
 2008/0203042 A1 8/2008 Felsenthal
 2008/0216817 A1 9/2008 Yungbluth
 2009/0025414 A1 1/2009 Koga
 2009/0151375 A1 6/2009 Tarr
 2009/0170421 A1 7/2009 Adrian
 2009/0220221 A1 9/2009 Zhou
 2010/0307179 A1 12/2010 Fava
 2011/0000477 A1 1/2011 Kwon
 2011/0011816 A1 1/2011 Marietta
 2011/0012481 A1 1/2011 Becker
 2011/0017691 A1 1/2011 Wu
 2011/0017692 A1 1/2011 Marietta
 2011/0079688 A1 4/2011 Grove
 2011/0080261 A1 4/2011 Asofsky
 2011/0120166 A1 5/2011 Nadel
 2011/0220090 A1 9/2011 Atemboski
 2013/0052388 A1 2/2013 Burrows
 2014/0116418 A1 5/2014 Thomas
 2014/0239136 A1 8/2014 Ortega
 2014/0252939 A1 9/2014 Tunzi
 2014/0265754 A1 9/2014 Patterson
 2014/0265807 A1 9/2014 Kendall
 2014/0318529 A1 10/2014 Nielsen
 2015/0027349 A1 1/2015 Kahle
 2015/0182021 A1 7/2015 Chang
 2015/0323190 A1 11/2015 Stein
 2016/0018112 A1 1/2016 Phillips
 2016/0100698 A1 4/2016 Clark
 2016/0157605 A1 6/2016 Grad
 2016/0195277 A1 7/2016 Li
 2016/0209102 A1 7/2016 Vulava
 2016/0223213 A1 8/2016 Grehova
 2016/0256032 A1 9/2016 Bhajak
 2017/0089587 A1 3/2017 Nemes
 2017/0211814 A1 7/2017 Bourne
 2018/0029270 A1 2/2018 Hepler
 2018/0053974 A1 2/2018 Lee
 2018/0064246 A1 3/2018 Kassanoff
 2021/0088221 A1 3/2021 Crowe
 2021/0404667 A1 12/2021 Crowe

FOREIGN PATENT DOCUMENTS

CN 305138614 5/2019
 EM 003068485-0003 4/2016

EM 003254200-0003 6/2016
 EM 005646783-0006 9/2018
 GB 1162368 8/1969
 GB 4001474 5/2007
 GB 4032905 11/2013
 GB 4034171 7/2014
 GB 6041896 8/2018
 WO WOD076242-061 5/2011

OTHER PUBLICATIONS

Tessa Caramel Sideboard by Walker Edison, first available: Aug. 29, 2021. Bellacor.com [online], [site visited May 17, 2022], Internet URL: <https://www.bellacor.com/productdetail/walker-edison-furniture-co-bu58tesswca-tessa-caramel-sideboard-2330350.html> (Year: 2021).*

U.S. Appl. No. 29/611,963 filed Jul. 27, 2017, Davis.
 U.S. Appl. No. 29/634,946 filed Jan. 25, 2018, Davis.
 U.S. Appl. No. 29/654,950 filed Jun. 28, 2018, Davis.
 U.S. Appl. No. 29/720,093, filed Jan. 9, 2020, Davis.
 U.S. Appl. No. 29/656,499 filed Jul. 12, 2018, Davis.
 U.S. Appl. No. 29/656,479 filed Jul. 12, 2018, Davis.
 U.S. Appl. No. 29/656,485 filed Jul. 12, 2018, Davis.
 U.S. Appl. No. 29/656,486 filed Jul. 12, 2018, Davis.
 U.S. Appl. No. 29/656,497 filed Jul. 12, 2018, Davis.
 U.S. Appl. No. 29/654,930, filed Jun. 28, 2018, Davis.
 U.S. Appl. No. 29/654,936, filed Jun. 28, 2018, Davis.
 U.S. Appl. No. 29/654,952, filed Jun. 28, 2018, Davis.
 U.S. Appl. No. 29/656,492, filed Jul. 12, 2018, Davis.
 U.S. Appl. No. 29/656,489, filed Jul. 12, 2018, Davis.
 U.S. Appl. No. 29/634,889, filed Jan. 25, 2018, Davis.
 U.S. Appl. No. 29/677,722, filed Jan. 23, 2019, Davis.
 U.S. Appl. No. 29/677,723, filed Jan. 23, 2019, Davis.
 U.S. Appl. No. 29/677,724, filed Jan. 23, 2019, Davis.
 U.S. Appl. No. 29/677,738, filed Jan. 23, 2019, Davis.
 U.S. Appl. No. 29/677,755, filed Jan. 23, 2019, Davis.
 U.S. Appl. No. 29/677,761, filed Jan. 23, 2019, Davis.
 U.S. Appl. No. 29/698,919, filed Jul. 22, 2019, Davis.
 U.S. Appl. No. 29/773,569, filed Mar. 10, 2021, Davis.
 U.S. Appl. No. 29/756,291, filed Oct. 27, 2020, Davis.
 U.S. Appl. No. 29/756,302, filed Oct. 27, 2020, Davis.
 U.S. Appl. No. 29/756,303, filed Oct. 27, 2020, Davis.
 U.S. Appl. No. 29/756,305, filed Oct. 27, 2020, Davis.
 U.S. Appl. No. 29/698,924, filed Jul. 22, 2019, Davis.
 U.S. Appl. No. 29/698,928, filed Jul. 22, 2019, Davis.
 U.S. Appl. No. 29/698,940, filed Jul. 22, 2019, Davis.
 U.S. Appl. No. 29/756,763, filed Oct. 30, 2020, Davis.
 U.S. Appl. No. 29/699,063, filed Jul. 23, 2019, Davis.
 U.S. Appl. No. 29/699,066, filed Jul. 23, 2019, Davis.
 U.S. Appl. No. 29/714,849, filed Nov. 26, 2019, Davis.
 U.S. Appl. No. 29/699,071, filed Jul. 23, 2019, Davis.
 U.S. Appl. No. 29/699,073, filed Jul. 23, 2019, Davis.
 U.S. Appl. No. 29/699,078, filed Jul. 23, 2019, Davis.
 U.S. Appl. No. 29/698,942, filed Jul. 22, 2019, Davis.
 U.S. Appl. No. 29/698,947, filed Jul. 22, 2019, Davis.
 U.S. Appl. No. 29/720,729, filed Jan. 15, 2020, Davis.
 U.S. Appl. No. 29/720,732, filed Jan. 15, 2020, Davis.
 U.S. Appl. No. 29/721,435, filed Jan. 21, 2020, Davis.
 U.S. Appl. No. 29/720,734, filed Jan. 15, 2020, Davis.
 U.S. Appl. No. 29/720,923, filed Jan. 16, 2020, Davis.
 U.S. Appl. No. 29/720,927, filed Jan. 16, 2020, Davis.
 U.S. Appl. No. 29/720,942, filed Jan. 16, 2020, Davis.
 U.S. Appl. No. 29/720,948, filed Jan. 16, 2020, Davis.
 U.S. Appl. No. 29/721,166, filed Jan. 17, 2020, Davis.
 U.S. Appl. No. 29/743,237, filed Jul. 20, 2020, Packer.
 U.S. Appl. No. 29/743,240, filed Jul. 20, 2020, Packer.
 U.S. Appl. No. 29/743,244, filed Jul. 20, 2020, Packer.
 U.S. Appl. No. 29/743,246, filed Jul. 20, 2020, Packer.
 U.S. Appl. No. 29/743,247, filed Jul. 20, 2020, Packer.
 U.S. Appl. No. 29/743,250, filed Jul. 20, 2020, Packer.
 U.S. Appl. No. 29/743,416, filed Jul. 21, 2020, Packer.
 U.S. Appl. No. 29/743,418, filed Jul. 21, 2020, Packer.
 U.S. Appl. No. 29/743,423, filed Jul. 21, 2020, Packer.

(56)

References Cited

OTHER PUBLICATIONS

U.S. Appl. No. 29/743,584, filed Jul. 22, 2020, Packer.
 U.S. Appl. No. 29/728,971, filed Mar. 23, 2020, Davis.
 U.S. Appl. No. 29/767,917, filed Jan. 26, 2021, Duhadway.
 U.S. Appl. No. 29/768,116, filed Jan. 27, 2021, Naylor.
 U.S. Appl. No. 29/785,130, filed May 24, 2021, Duhadway.
 U.S. Appl. No. 29/785,154, filed May 24, 2021, Duhadway.
 U.S. Appl. No. 29/794,351, filed Jun. 11, 2021, Naylor.
 U.S. Appl. No. 29/796,878, filed Jun. 28, 2021, Duhadway.
 U.S. Appl. No. 29/794,592, filed Jun. 14, 2021, Naylor.
 U.S. Appl. No. 29/797,119, filed Jun. 29, 2021, Duhadway.
 U.S. Appl. No. 29/794,596, filed Jun. 14, 2021, Naylor.
 U.S. Appl. No. 29/794,737, filed Jun. 15, 2021, Duhadway.
 U.S. Appl. No. 29/796,882, filed Jun. 28, 2021, Duhadway.
 U.S. Appl. No. 29/794,743, filed Jun. 15, 2021, Duhadway.
 U.S. Appl. No. 29/801,171, filed Jul. 27, 2021, Duhadway.
 U.S. Appl. No. 29/801,173, filed Jul. 27, 2021, Naylor.
 U.S. Appl. No. 29/799,389, filed Jul. 14, 2021, Duhadway.
 U.S. Appl. No. 29/801,175, filed Jul. 27, 2021, Duhadway.
 U.S. Appl. No. 29/808,729, filed Sep. 22, 2021, Duhadway.
 U.S. Appl. No. 29/808,735, filed Sep. 22, 2021, Duhadway.
 U.S. Appl. No. 29/814,099, filed Nov. 3, 2021, Naylor.
 U.S. Appl. No. 29/818,613, filed Dec. 9, 2021, Beckstead.
 U.S. Appl. No. 29/818,153, filed Dec. 7, 2021, Duhadway.
 U.S. Appl. No. 29/818,157, filed Dec. 7, 2021, Duhadway.
 U.S. Appl. No. 29/815,518, filed Nov. 15, 2021, Packer.
 U.S. Appl. No. 29/815,516, filed Nov. 15, 2021, Packer.
 U.S. Appl. No. 29/818,147, filed Dec. 7, 2021, Naylor.
 U.S. Appl. No. 29/823,713, filed Jan. 19, 2022, Duhadway.
 U.S. Appl. No. 29/823,716, filed Jan. 19, 2022, Duhadway.
 U.S. Appl. No. 29/824,461, filed Jan. 25, 2022, Duhadway.
 U.S. Appl. No. 29/825,551 filed Feb. 2, 2022, Naylor.
 U.S. Appl. No. 29/792,312 filed Mar. 21, 22, Duhadway.
 U.S. Appl. No. 29/792,313 filed Mar. 21, 2022, Naylor.
 U.S. Appl. No. 29/792,314 filed Mar. 21, 2022, Naylor.
 U.S. Appl. No. 29/831,492 filed Mar. 21, 2022, Beckstead.
 U.S. Appl. No. 29/830,020 filed Mar. 9, 2022, Naylor.
 U.S. Appl. No. 29/845,266, filed Jul. 6, 2022, Scott.
 U.S. Appl. No. 29/865,174, filed Jul. 12, 2022, Naylor.
 U.S. Appl. No. 29/845,776, filed Jul. 11, 2022, Beckstead.
 Electric fireplace, image post date May 26, 2014, site visited Aug. 8, 2016, (online), <<https://www.tineye.com/search/3c3d0cbfb7030b3079ebefa0774a5b4e94120332/7pluginver>.
 Media Console with Electric Fireplace, image postdate Dec. 6, 2015, site visited Aug. 8, 2016, (online), <<http://www.overstock.com/Home-Garden/Media-Console-with-Electric-Fireplace-in-Barnwood/10309735/product.html?reset=05953330-aaa1-4640-a796-f225c2f8176d&refccid=MRISGBB2MZGZXYKK4EFVI25H6Q&recalg=809,828,512&recidx=1#reviews>.
 Tv Stand With Fireplace, image post date Sep. 12, 2015, site visited Aug. 8, 2016, (online), <<https://www.tineye.com/search/77be8934bf07249cbb245c8ea0f719199437b185/>.
 Walker Edison TV Stand with Fireplace Insert, image post date Jul. 31, 2015, site visited Aug. 8, 2016, (online), <<https://www.amazon.com/Walker-Edison-Fireplace-Insert-Espresso/dp/BOOPNONTAK>.
 Manchester Fireplace TV Console, image post date Dec. 17, 2015, site visited Aug. 8, 2016, (online), <<http://www.walmart.com/ip/Manchester-Media-Fireplace-Stand-for-TVs-up-to-70/46360223>.
 Monet Fireplace; Canadian Tire Company website: <http://www.canadiantire.ca/en/pdp/monet-fireplace-0643572p.html>; retrieved on Dec. 21, 2016.
 TV and Media Consoles, image post date Sep. 21, 2013, site visited Oct. 26, 2016, (online), <<http://web.archive.org/web/20130921074219/http://www.electrictfireplacesdirect.com/Gallery/tv-and-media-consoles.html>>.*
 “Kendall Electric Media Fireplace—Espresso” Dec. 24, 2012, amazon.com, site visited Mar. 6, 2018 Khttps://www.amazon.com/Kendall-Electric-Media-Fireplace-Espresso/dp/B009LIT6XQ/ref=cm_cr_ar_p_d_product_top?ie=UTF8> (Year: 2012).*
 “Whalen Media Fireplace Console for TVs up to 70" Gray” Nov. 24, 2015, walmart.com, site visited Mar. 6, 2018 <<https://www.walmart.com/ip/Whalen-Media-Fireplace-Console-for-TVs-up-to-70-Gray/54189794>> (Year: 2015).*
 “Boston Loft Furnishings . . .” Nov. 7, 2016, themine.com, site visited Mar. 2, 2018 Khttps://www.themine.com/tv-stands/boston-loft-furnishings-reamrock-infrared-electric-fireplace-media-stand-with-convertible-corner_g2733659.html> (Year: 2016).
 “Ameriwood Home Everett 70-inch . . .” Dec. 6, 2016, overstock.com, site visited Mar. 2, 2018 K<https://www.overstock.com/Home-Garden/Ameriwood-Home-Everett-70-inch-Sonoma-Oak-TVStand-with-Glass-Doors/12710691/product.html>> (Year: 2016).*
 Metal Coffee Table; <https://www.overstock.com/Home-Garden/42-Metal-Coffee-Table-42-x-24-x-18h/15951452/product.html> Retrieved on Nov. 13, 2018.
 Modern Two-Tone Writing Desk; <https://www.overstock.com/Home-Garden/44-Modern-Two-Tone-Writing-Desk/19684325/product.html> Retrieved on Nov. 13, 2018.
 Czapla TV Stand for TVs up to 65"; <https://www.allmodern.com/furniture/pdp/mercury-row-czapla-tv-stand-for-tvs-up-to-65-a000303456.html> ; Retrieved on May 7, 2019.
 Nelson Media Cabinet; <https://www.franceandson.com/collections/storage-shelving-media-cabinets/products/nelson-media-cabinet36051> ; Retrieved on May 7, 2019.
 Hal TV Stand for TVs up to 60"; <https://www.allmodern.com/furniture/pdp/hal-tv-stand-for-tvs-up-to-60-a000176456.html> ; Retrieved on May 7, 2019.
 Wigington TV Stand for TVs up to 60"; <https://www.allmodern.com/furniture/pdp/wigington-tv-stand-for-tvs-up-to-60-golv3670.html?piid> ; Retrieved on May 7, 2019.
 Cliffmay Slat Media Stand Light Oak Brown—Project 62; https://www.target.com/p/cliffmay-slat-media-stand-light-oak-brown-project-62-153/-/A-53517373?ref=tgt_adv_XS000000&AFID=google_pla_df&fndsre=tgtao&CPNG=PLA_Furniture%2BShopping_Priority%2BBrands&adgroup=SC_Project+62&LID=700000001170770pgs&network=g&device=c&location_F9029756&gclsrc=aw.ds&ds_rl=1_246978&ds_rl=1247068&ds_rl=1_246978&ref=tgt_adv_XS000000&AFID=google_pla_df&CPNG=PLA_Furniture+Shopping_Priority+Brands&adgroup=SC_Project%2062&LID=700000001170770pgs&network=g&device=c&location=9029756&gclid=EAla1QobChMI7Nb9wo-H3wIVBylpCh1fSg4IEAQYBSABEGk_yPD_BwE&gclsrc=aw.ds Retrieved on May 7, 2019.
 Audrey Woven Media Console 65"; <https://www.zinhome.com/audrey-woven-media-console-65/> ; Retrieved on May 14, 2019.
 Demilune Mesh Door Industrial Sideboard; <https://bellescape.com/demilune-mesh-wire-door-industrial-chic-sideboard.html?SID=U> ; Retrieved on May 14, 2019.
 Tuk Cabinet; <https://blackroosterdecor.com/collections/storage/products/tuk-cabinet>; Retrieved on May 14, 2019.
 Rustic Style 31 Inches Metal TV Stand With Wire Mesh Doors Cabinet, Black <https://casagear.com/products/rustic-style-31-inches-metal-tv-stand-with-wire-mesh-doors-cabinet-black>; May 14, 2019.
 Geo-Marquetry Buffet; https://www.anthropologie.com/shop/geo-marquetry-buffet?adpos=1_o27&adtype=pla&cm_mmc=Google-US%20-%20Shopping%20-%20Furniture-_Organizing%20and%20Storage-_42699934&color=&countryCode=US&creative=191389729567&device=c&gclid=EAla1QobChMI7Nb9wo-H3wIVBylpCh1fSg4IEAQYBSABEGk_yPD_BwE&inventoryCountry=US&matchtype=&mrkgadid=3202938336&mrkgc/=694&network=g&product_id=42699934&quantity=1&size=ALL&type=STANDARD&utm_campaign=US%20-%20Shopping%20-%20Furniture&utm_content=42699934&utm_medium=paid_search&utm_source=Google&utm_term=Organizing%20and%20Storage; Retrieved on May 14, 2019.
 Suspend II Media Console; <https://www.cb2.com/suspend-ii-media-console/s523915>; Retrieved on May 14, 2019.
 Hooker Furniture Melange Mirrored Angle Console https://www.furniturecrate.com/hooker-melange-mirrored-angle-console.html?gdfrtk=gdfV21650_a_7c92_a_7c8357_a_7c654170&gclid=CjwKEAiA05unBR_CymrGilanF9SwSJACqDFRm1WwgePUSp65sXRC14RkIfScYn-yCjNuB-GTt3W-FxoCQL7w-wcB Retrieved on May 14, 2019.

(56)

References Cited

OTHER PUBLICATIONS

FurnitureMaxx Besteen Contemporary Wood Dark Gray Dining Room Server https://www.amazon.com/dp/B07GVS1VK2/refcm_sw_r_pi_dp_U_x_evuOBbFM3298G; Retrieved on May 14, 2019.

Jaydyn Media TV Stand/Credenza; https://www.macys.com/shop/product/jaydyn-media-tv-stand-credenza?ID=2883210&CategoryID=35319#fn=FURNITURE_CATEGORY=Buffet7o20& amp;%20Sideboards&SIZE=&sp=3&spc=131&ruleId=129%7CBOOST%20ATTRIBUTE7o7_CBOOST%20SAVED%20SET&searchPass=matchNone&slotId=2; Retrieved on May 14, 2019.

Sideboard; <https://www.allmodern.com/furniture/pdp/sideboard-sct11710.html>; Retrieved on May 14, 2019.

Belham Living Trenton Industrial End Table; https://www.hayneedle.com/product/belham-living-trenton-industrial-end-table-new.cfm?source=pla&kwid=OccasionalTables%20iprefer&tid=REDU113-1&adtype=pla&kw=&gclid=EAla1QobChMIvOu-6vel3wIVB8ZkChOZdAf-EAkYAyABEgLyMfD_BwE Retrieved on May 15, 2019.

Belham Living Hampton Chair Side Table—Black; <https://www.hayneedle.com/product/belham-living-hampton-chair-side-table-black.cfm>; Retrieved on May 15, 2019.

International Concepts Hampton End Table; https://www.hayneedle.com/product/internationalconceptshamptonendtable.cfm?source=pla&kwid=OccasionalTables%20level05&tid=WW1545-1&adtype=pla&kw=&gclid=EAla1QobChMIpsnoq_mI3wIVGNVkJCh348gtDEAkYiABEgLP7fD_BwE Retrieved on May 15, 2019.

Hampton Weathered Taupe Gray Coffee Table; https://www.homedepot.com/p/International-Concepts-Hampton-Weathered-Taupe-Gray-Coffee-Table-OT09-70C/302946359?MERCH=REC--PIPHorizontal2_rr_-204737265_-302946359_-N; Retrieved on May 15, 2019.

Convenience Concepts Oxford Rectangle Coffee Table; https://www.hayneedle.com/product/convenience-concepts-oxford-rectangle-coffee-table.cfm?source=pla&kwid=OccasionalTables%20newskus&tid=CONV338-5&adtype=pla&kw=&gclid=EAla1QobChMlhuzv9_mI3wIVWx-tBh1rUA1tEAKYHYABEgJ2hPD_BwE; Retrieved on May 15, 2019.

Belham Living Jamestown Rustic Coffee Table with Unique Driftwood Finish; <https://www.hayneedle.com/product/jamestown-rustic-coffee-table.cfm>; Retrieved on May 15, 2019.

Pinterest; www.pinterest.com/pin/336328451393621/; Retrieved on Jun. 12, 2019.

Target Winham TV Stand—Threshold; www.target.com/p/windham-tv-stand-threshold-153/-/A-54301349; Retrieved on Jun. 12, 2019.

Pinterest DIY Farmhouse Coffee Table Cabinet; www.pinterest.com/pin/33636328450994833/; Retrieved on Jun. 12, 2019.

Image seen on Pinterest DIY Project; Pinterest.com; Seen approximately Aug. 1, 2017.

World Market—Metal Bexley Bar; www.worldmarket.com/product/metal+bexley+bar.do?pp=1; Retrieved on Sep. 25, 2019.

Overstock—Nova Domus Soria Modern Walnut TV Stand; https://www.overstock.com/Home-Garden/Nova-Domus-Soria-Modern-Walnut-TV-Stand/10359356/product.html?utm_campaign=pin_button&utm_medium=Social&utm_source=Pinterest Retrieved on Jun. 12, 2019.

Notice of Allowance for U.S. Appl. No. 29/654,936 dated Jun. 19, 2019.

Notice of Allowance for U.S. Appl. No. 29/656,479 dated Jun. 27, 2019.

Restriction Requirement for U.S. Appl. No. 29/654,950 dated Sep. 25, 2019.

Office Action for U.S. Appl. No. 29/656,489 dated Sep. 25, 2019.

Office Action for U.S. Appl. No. 29/656,497 dated Sep. 25, 2019.

Office Action for U.S. Appl. No. 29/656,499, dated Sep. 26, 2019.

Notice of Allowance for U.S. Appl. No. 29/656,486 dated Sep. 27, 2019.

Notice of Allowance for U.S. Appl. No. 29/656,485 dated Oct. 2, 2019.

Notice of Allowance for U.S. Appl. No. 29/656,479 dated Oct. 21, 2019.

Office Action for U.S. Appl. No. 29/654,952 dated Nov. 15, 2019.

Notice of Allowance for U.S. Appl. No. 29/656,492 dated Nov. 18, 2019.

42 in. Metal and Wood Desk with Glass and Shelf Grey Wash by Walker Edison Furniture Company—Home Depot <https://www.homedepot.com/p/Walker-Edison-Furniture-Company-42-in-Metal-and-Wood-Desk-with-Glass-and-Shelf-Grey-Wash-HDM42JERGW/305309102> retrieved from the internet on Sep. 9, 2019.

Dark Walnut Wood and Glass Coffee Table by Walker Edison Furniture Company—Home Depot <https://www.homedepot.com/p/Walker-Edison-Furniture-Company-Dark-Walnut-Wood-and-Glass-Coffee-Table-HDF42JMGLDW/305308482> retrieved from the internet on Nov. 6, 2019.

“Baum TV Stand for TVs up to 58 inches” Wayfair. (Accessed Nov. 14, 2019).

“Dark Walnut 70" TV Stand” Pier1. (Accessed Nov. 14, 2019).

“Seren TV Stand for TVs up to 50 inches” Wayfair. (Accessed Nov. 14, 2019).

“Shreffler TV Stand for TVs up to 78 inches” Wayfair. (Accessed Nov. 14, 2019).

Office Action for U.S. Appl. No. 29/634,946 dated Dec. 12, 2019.

Notice of Allowance for U.S. Appl. No. 29/656,485 dated Dec. 18, 2019.

Notice of Allowance for U.S. Appl. No. 29/654,950 dated Dec. 27, 2019.

Electric Fireplaces Direct.com. <https://www.electricfireplacesdirect.com/products-accessories/tv-media-consoles/shelby-electric-fireplace-media-console-in-white-c3p18c9-2030w.html>. “Shelby Electric Fireplace Media Console in White”. Date unknown: Viewed Dec. 2019 (Year: 2019).

Pikove. <https://pikove.com/media/509962357792326443>. “Home Decor”. Feb. 2017 (Year: 2017).

Luno. <https://iamluno.com/product/kc27-record-console-new/>. “KC27 HIFI Record Console”. Date unknown: Viewed Dec. 2019 (Year: 2019).

Notice of Allowance for U.S. Appl. No. 29/656,499 dated Jan. 23, 2020.

Notice of Allowance for U.S. Appl. No. 29/656,497 dated Jan. 23, 2020.

Notice of Allowance for U.S. Appl. No. 29/656,489 dated Jan. 24, 2020.

Walker Edison Buffet 52' Console Table; <https://www.walkerredison.com/buffet-52-console-table.html>; Retrieved on Jul. 19, 2018.

Notice of Allowance for U.S. Appl. No. 29/654,952 dated Feb. 12, 2020.

Restriction Requirement for U.S. Appl. No. 29/714,849 dated Feb. 25, 2020.

Notice of Allowance for U.S. Appl. No. 29/714,849 dated Apr. 6, 2020.

Notice of Allowance for U.S. Appl. No. 29/634,946 dated Apr. 8, 2020.

Notice of Allowance for U.S. Appl. No. 29/654,952 dated Apr. 21, 2020.

Pinterest; Cabinet Furniture; wood veneer sideboard with doors—Edge Collection by Miniforms; <https://www.pinterest.com/pin/312366924137895643/>; Retrieved on Aug. 9, 2018.

Edge Buffet and Cabinet; Miniforms.com; https://www.miniforms.com/en/products/4_buffet-and-cabinet/105_edge/#f; Retrieved on Aug. 9, 2018.

Pinterest; Media Furniture Search; <https://www.pinterest.com/pin/33636328451628908/>; Retrieved on Apr. 16, 2018.

Pinterest; Furniture Search; <https://www.pinterest.com/pin/33636328453466237/>; Retrieved on Apr. 11, 2018.

Office Action for U.S. Appl. No. 29/677,738 dated Jun. 26, 2020.

Office Action for U.S. Appl. No. 29/677,723 dated Jun. 26, 2020.

“Walker Edison—W6ONOR2D Assembly Instructions.” Found online Jun. 19, 2020 at www.walkerredison.com. Page dated Apr. 23, 2018. Retrieved from URL: <https://www.walkerredison.com/uploads/5/8/2/2/58227457/ai-w6Onor2d-%C2%AE%20version%20042318-e.pdf> (Year: 2018).

(56)

References Cited

OTHER PUBLICATIONS

“The Urban Port Mid Century Modern Acacia Wood TV Unit.” Found online Jun. 19, 2020 at www.amazon.com. Product reviewed Jun. 28, 2018. Retrieved from URL: https://www.amazon.com/dp/B07P6QPSYJ/ref=sbl_dpx_B07LG44BN6_0?th=1 (Year: 2018).

“Simpli Home Draper Solid Wood Universal Low TV Media Stand.” Found online Jun. 19, 2020 at www.amazon.com. Product reviewed Sep. 26, 2016. Retrieved from URL: https://www.amazon.com/dp/B01AACK5FM/ref=sbl_dpx_B082WLRSMS_0?th=1 (Year: 2016).

“Iwell Mid-Century Modern TV Stand.” Found online Jun. 20, 2020 at www.amazon.com. Product first available May 7, 2020. Retrieved from URL: <https://tinyurl.com/y9okn5lq> (Year: 2020).

“Tangkula Wooden TV Stand.” Found online Jun. 20, 2020 at www.amazon.com. Product first available Jan. 13, 2020. Retrieved from URL: <https://tinyurl.com/y9h9hwwc> (Year: 2020).

“Langley Street Silvia 54-inch TV Stand.” Found online Jun. 20, 2020 at www.amazon.com. Product first available Aug. 30, 2015. Retrieved from URL: https://www.amazon.com/dp/B07BMM7PZ6/ref=sbl_dpx_B01255EZVW_0 (Year: 2015).

“Walker Edison—W70JACSD Assembly Instructions.” Found online Jun. 19, 2020 at www.walkerredison.com. Page dated Jul. 9, 2018. Retrieved from URL: <https://www.walkerredison.com/uploads/5/8/2/2/58227457/ai-w70jacsd-%C2%AE%20version%20071118%20n.pdf> (Year: 2018).

“South Shore Exhibit TV Stand.” Found online Jun. 19, 2020 at www.amazon.com. Product reviewed Jan. 12, 2017. Retrieved from URL: https://www.amazon.com/dp/B01D9MW9FE/ref=sbl_dpx_B01AACK5FM_0?th=1 (Year: 2017).

“Sauder Coral Cape Contemporary Wood 70-inch TV Stand.” Found online Jun. 19, 2020 at www.amazon.com. Product first available Jan. 28, 2020. Retrieved from URL https://www.amazon.com/dp/B085VKFXJF/ref=sbl_dpx_B07LG44BN6_0 (Year: 2020).

“CCT Global Sourcing Inc. Pearson Solid Hardwood 60-inch TV Stand.” Found online Jun. 19, 2020 at www.amazon.com. Product first available Jan. 20, 2020. Retrieved from URL: https://www.amazon.com/dp/B0842JT1Z6/ref=sbl_dpx_B07LG44BN6_0 (Year: 2020).

Notice of Allowance for U.S. Appl. No. 29/677,722 dated Jul. 1, 2020.

“Walker Edison—W58BMHPAS Assembly Instructions.” Found online Jun. 19, 2020 at www.walkerredison.com. Page dated Apr. 23, 2018. Retrieved from URL: <https://www.walkerredison.com/uploads/5/8/2/2/58227457/ai-w58bnnhpas-%C2%AE%20version%20042318%20-e.pdf> (Year: 2018).

“Mid Century Modern TV Stand.” Found online Jun. 20, 2020 at www.amazon.com. Product first available Jun. 16, 2020. Retrieved from URL: <https://tinyurl.com/y7qolcv7> (Year: 2020).

“Pemberly Row Modern Mid Century Entertainment TV Stand.” Found online Jun. 20, 2020 at www.amazon.com. Product first available May 25, 2018. Retrieved from URL: <https://tinyurl.com/y9affau7> (Year: 2018).

Notice of Allowance for U.S. Appl. No. 29/677,724 dated Jul. 7, 2020.

“Walker Edison—W60S014D Assembly Instructions.” Found online Jun. 19, 2020 at www.walkerredison.com. Page dated May 8, 2018. Retrieved from URL <https://www.walkerredison.com/uploads/5/8/2/2/58227457/ai-w60s014d-%C2%AE%20version%20050818%20n.pdf> (Year: 2018).

“Sauder Boulevard Cafe Credenza.” Found online Jun. 19, 2020 at www.amazon.com. Product first available Aug. 23, 2018. Retrieved from URL: https://www.amazon.com/Sauder-420649-Boulevard-Credenza-Vintage/dp/B07GSJ4MG1/ref=psdc_14109851_t1B07G62YLVT (Year: 2018).

“Martin Furniture Eclectic Harmon Four Door Console.” Found online Jun. 19, 2020 at www.amazon.com. Product first available Oct. 30, 2017. Retrieved from URL: https://www.amazon.com/dp/B076VVVYRPR/ref=sbl_dpx_B07G62YLVT_0 (Year: 2017).

“Industrial Iron Mesh Sideboard Media Cabinet.” Found online Jun. 19, 2020 at www.amazon.com. Product first available Jul. 20, 2015.

Retrieved from URL: https://www.amazon.com/dp/B01255EZVW/ref=sbl_dpx_B07G62YLVT_0 (Year: 2015).

Safavieh Furniture; <http://web.archive.org/web/20130301232929/http://safavieh.com/furniture/categories/bookcases?pg=all>; Retrieved online on Aug. 5, 2020.

Safavieh Furniture; <http://web.archive.org/web/20140713025018/http://safavieh.com/furniture/american-home/bookcases/amh6525a>; Retrieved online on Aug. 5, 2020.

Amarah Mid Century Modern Wood TV Stand by Christopher Knight Home; <https://web.archive.org/web/20181102021725/https://www.overstock.ca/Home-Garden/Amarah-Mid-century-Modern-Wood-TV-Stand-by-Christopher-Knight-Home/18108793/product.html>; Retrieved online on Aug. 5, 2020.

Gemini Wood Contemporary TV Stand; <https://web.archive.org/web/20160423180238/https://www.target.com/p/gemini-wood-contemporary-tv-stand-walnut-white-66-baxton-studio/-/A-50256043>; Retrieved online on Aug. 5, 2020.

Article SENO walnut media unit; <http://web.archive.org/web/20170610131805/https://www.article.com/product/1635/seno-walnut-63-media-unit>; Retrieved online on Aug. 5, 2020.

Instagram post—Article Seno walnut media unit; <https://www.instagram.com/p/BhcCAZIH8-q/>; Retrieved on Aug. 5, 2020.

Convenience Concepts Designs2Go Oslo TV Stand; <https://www.amazon.ca/Convenience-Concepts-Designs2Go-Stand-White/dp/B011RACHQ6?th=1>; Retrieved online on Aug. 5, 2020.

Houzz Rowan Mid-Century Modern Two-Toned TV Stand; <https://www.houzz.com/products/rowan-mid-century-modern-two-toned-tv-stand-white-oak-prvw-vr~74489612>; Retrieved online on Aug. 21, 2020.

Focus On Furniture, Lowline TV Units; <https://web.archive.org/web/20170218071314/https://www.focusonfurniture.com.au/living-room/lowline-tv-units/>; Retrieved on Aug. 21, 2020.

Office Action for U.S. Appl. No. 29/654,930, dated Aug. 21, 2020.

Calie TV Stand for TVs up to 48 inches with Electric Fireplace Included; Wayfair.com; <https://www.wayfair.com/furniture/pdp/real-flame-calie-tv-stand-for-tvs-up-to-48-inches-with-electric-fireplace-included-jfp1647.html>; Retrieved on Jan. 10, 2018.

Restriction Requirement for U.S. Appl. No. 29/698,919, dated Aug. 27, 2020.

Office Action for U.S. Appl. No. 29/677,755, dated Aug. 27, 2020.

Foundry Arsenault End Table, www.wayfair.com [online]. Published on or before Aug. 15, 2020, [retrieved on Aug. 15, 2020], Retrieved from the Internet: <URL:<https://www.wayfair.ca/furniture/pdp/foundry-select-arsenault-4-legs-end-table-c003160002.html?piid=1664365403>> (Year: 2020).

Office Action for U.S. Appl. No. 29/698,928, dated Aug. 28, 2020.

Notice of Allowance for U.S. Appl. No. 29/698,940, dated Aug. 28, 2020.

Rustic Farmhouse Corner TV Stand With Barn Doors, Little Rustic Shop, site visited Aug. 24, 2020, available online at <https://littlerusticshop.com/collections/frontpage/products/rustic-farmhouse-corner-tv-stand-with-barn-doors> (Year: 2020).

Office Action for U.S. Appl. No. 29/698,947, dated Aug. 31, 2020.

White Eliza TV Stand With Fireplace Insert, Owens Home Furnishings, site visited Aug. 25, 2020, available online at <https://www.owensfurniture.com/eliza-white-barn-door-tv-stand-70/> (Year: 2020).

Office Action for U.S. Appl. No. 29/698,942, dated Aug. 31, 2020.

Office Action for U.S. Appl. No. 29/677,761, dated Sep. 1, 2020.

Foundry Select Arsenault Coffee Table, www.wayfair.ca [online]. Published on or before Aug. 11, 2020, [retrieved on Aug. 11, 2020], Retrieved from the Internet: <URL:<https://www.wayfair.ca/furniture/pdp/foundry-select-arsenault-coffee-table-c003159996.html>> (Year: 2020).

Notice of Allowance for U.S. Appl. No. 29/699,063, dated Sep. 2, 2020.

Notice of Allowance for U.S. Appl. No. 29/699,071, dated Sep. 4, 2020.

Notice of Allowance for U.S. Appl. No. 29/699,066, dated Sep. 11, 2020.

Notice of Allowance for U.S. Appl. No. 29/677,723, dated Sep. 15, 2020.

Notice of Allowance for U.S. Appl. No. 29/677,738, dated Sep. 15, 2020.

(56)

References Cited

OTHER PUBLICATIONS

Notice of Allowance for U.S. Appl. No. 29/698,942, dated Sep. 15, 2020.

Office Action for U.S. Appl. No. 29/698,924, dated Sep. 16, 2020.

Notice of Allowance for U.S. Appl. No. 29/699,073, dated Sep. 16, 2020.

Corrected Notice of Allowance for U.S. Appl. No. 29/698,942, dated Sep. 23, 2020.

Notice of Allowance for U.S. Appl. No. 29/677,723, dated Sep. 29, 2020.

Notice of Allowance for U.S. Appl. No. 29/677,738, dated Sep. 29, 2020.

Notice of Allowance for U.S. Appl. No. 29/720,732; dated Sep. 29, 2020.

Notice of Allowance for U.S. Appl. No. 29/721,435, dated Sep. 29, 2020.

Notice of Allowance for U.S. Appl. No. 29/677,724, dated Sep. 30, 2020.

Notice of Allowance for U.S. Appl. No. 29/699,071, dated Sep. 30, 2020.

Notice of Allowance for U.S. Appl. No. 29/720,923, dated Sep. 30, 2020.

Office Action for U.S. Appl. No. 29/699,078, dated Oct. 6, 2020.

“WE Furniture AZ40SWICTWMDC Coffee Table.” Found online Sep. 30, 2020 at www.amazon.com. Product first available Jan. 23, 2019 Retrieved from URL: https://www.amazon.com/-/es/Furniture-AZ40SWICTWMDC-centro-Madera-Vidrio/dp/B07N282396/ref=psdc_3733631_J2_B07CYML1Lf (Year: 2019).

“Vasagle Glatal Glass Coffee Table.” Found online Sep. 30, 2020 at www.amazon.com. Product first available May 1, 2020. Retrieved from URL: <https://tinyurl.com/yxvuv2rf> (Year: 2020).

“Henn and Hart Coffe Table.” Found online Sep. 30, 2020 at www.amazon.com. Product first available Jan. 20, 2019. Retrieved from URL: https://www.amazon.com/-/es/Henn-Hart-talla-%C3%BAnica-color/dp/B07N8RRPT5/ref=psdc_3733631_t5_B07CYML1LF (Year: 2019).

Notice of Allowance for U.S. Appl. No. 29/677,755, dated Oct. 27, 2020.

Notice of Allowance for U.S. Appl. No. 29/720,923, dated Oct. 28, 2020.

Lorraine TV Stand for TVs up to 60" Retrieved online Nov. 3, 2020; from URL: <https://www.wayfair.com/furniture/pdp/three-posts-lorraine-tv-stand-for-tvs-up-to-60-w001527559.html>.

Notice of Allowance for U.S. Appl. No. 29/698,942, dated Nov. 3, 2020.

Notice of Allowance for U.S. Appl. No. 29/699,073, dated Nov. 3, 2020.

Notice of Allowance for U.S. Appl. No. 29/721,435, dated Nov. 3, 2020.

“Alera Angled Doors Oak Wood Black Sideboard” <https://www.decorpad.com/bookmark.htm?bookmarkId=69182> (Retrieved Nov. 12, 2020).

“Linus Base Cabinet w/Double Angled Doors by HABA, 460499*” <https://gresscoltd.com/linus-base-cabinet-w-double-angled-doors-by-haba-460499.html> (Retrieved Nov. 12, 2020).

“Solid Acacia Wood Canyon Ridge Three Drawer Media TV Console ith Metal Base” <https://www.hootjudkins.com/solid-acacia-wood-canyon-ridge-three-drawer-media-tv-console-with-metal-base> (Retrieved Nov. 12, 2020).

Office Action for U.S. Appl. No. 29/756,291, dated Nov. 23, 2020. Barn Door Console, @sarahashleyallen on Instagram, Dec. 26, 2016, site visited Nov. 18, 2020, available online at <https://www.instagram.com/p/BOFH8jggzjK/?taken-by=sarahashleyallen> (Year: 2016).

DIY Barn Door Hardware, Ana White, Oct. 17, 2018, site visited Nov. 18, 2020, available online at <https://www.ana-white.com/woodworking-projects/diy-barn-door-hardware-washers> (Year: 2018).

Office Action for U.S. Appl. No. 29/698,919, dated Nov. 24, 2020.

DIY Sliding Barn Door Console, Jaime Costiglio, Jan. 1, 2019, site visited Nov. 18, 2020, available online at <https://jaimecostiglio.com/diy-sliding-barn-door-console-free-plans/> (Year: 2019).

Notice of Allowance for U.S. Appl. No. 29/654,930, dated Dec. 10, 2020.

Notice of Allowance for U.S. Appl. No. 29/698,947, dated Dec. 10, 2020.

Notice of Allowance for U.S. Appl. No. 29/698,928, dated Dec. 11, 2020.

Notice of Allowance for U.S. Appl. No. 29/698,924, dated Dec. 18, 2020.

Notice of Allowance for U.S. Appl. No. 29/677,761, dated Dec. 22, 2020.

Notice of Allowance for U.S. Appl. No. 29/756,763, dated Dec. 22, 2020.

Notice of Allowance for U.S. Appl. No. 29/720,732; dated Jan. 25, 2021.

Notice of Allowance for U.S. Appl. No. 29/699,078, dated Jan. 28, 2021.

Studio 350 Wood Cabinet; retrieved on Mar. 11, 2021; <https://www.overstock.com/Home-Garden/Studio-350-Wood-Cabinet-30-inches-wide-34-inches-high/17357264/product.html>.

Amazon Brand—Rivet Mid-Century Modern Checkerboard Reclaimed Elm Buffet Sideboard Credenza Cabinet; retrieved on Mar. 11, 2021; https://www.amazon.com/Rivet-Mid-Century-Checkerboard-Reclaimed-Cabinet/dp/B075Z8628K/ref=h_npb_a2a_sims_1?_encoding=UTF8&pd_rd_i=B075Z8628K&pd_rd_r=a9f26748-f7ef-11e8-bd88-f19ea5af337e&pd_rd_w=LLe5w&pd_rd_wg=SDrAx&pf_rd_i=desktop-dp-sims&pf_rd_m=ATVPDKIKXODER&pf_rd_p=31feaa4d-b746-4950-83b6-1e38b78bee56&pf_rd_r=9MFY1C4VSTB9H8PGVEGJ&pf_rd_s=desktop-dp-sims&pf_rd_t=40701&psc=1&refRID=9MFY1C4VSTB9H8PGVEGJ.

Notice of Allowance for U.S. Appl. No. 29/720,093, dated Mar. 12, 2021.

Istopbedrooms, <https://www.istopbedrooms.com/ramona-autumn-bronze-media-console-electric-fireplace-with-acrylic-ice-xhd-firebox>. “Ramona Autumn Bronze Media Console Electric Fireplace with Acrylic Ice Xhd Firebox”. Date Unknown: Viewed Feb. 2021 (Year: 2021).

Office Action for U.S. Appl. No. 29/756,291, dated Mar. 18, 2021. “Pemberly Row 32-inch Farmhouse Sliding Barn Door Wood Accent Chest.” Found online Mar. 4, 2021 at www.amazon.com. Product first available Dec. 28, 2018. Retrieved from URL: <https://www.amazon.com/Pemberly-Row-Sliding-Console-Barnwood/dp/B07MQGF51Y> (Year: 2018).

“Walker Edison Abbey Modern Farmhouse Sliding X Barn Door Accent Console.” Found online Mar. 4, 2021 at www.amazon.com. Customer question answered Apr. 15, 2019. Retrieved from URL: <https://tinyurl.com/36keempk> (Year: 2019).

Notice of Allowance for U.S. Appl. No. 29/698,919; dated Mar. 30, 2021.

Bridgeport by Hopewood; Found online on Mar. 29, 2021 at <https://hubbingtons.com/product-category/bridgeport-by-hopewood/>.

Bridgeport Furniture; Found online on Mar. 29, 2021 at www.flemingtondepartmentstore.com/all/bridgeport/brand-collection.aspx. Bridgeport 3-Door Server; Found online on Mar. 29, 2021; Found online at [https://www.belfortfurniture.com/\(X\(1\)\)/item/dining-bridgeport-3-door-server/307396660](https://www.belfortfurniture.com/(X(1))/item/dining-bridgeport-3-door-server/307396660).

Office Action for U.S. Appl. No. 29/756,763; dated Apr. 12, 2021.

Gray Barn Wind Gap Sliding Barn Door TV Stand Console, overstock.com, review date with photo from Apr. 8, 2019 & Jul. 10, 2019, <https://www.overstock.com/Home-Garden/The-Gray-Barn-Wind-Gap-Sliding-Barn-Door-TV-Stand-Console/25490525/product.html> (Year: 2019).

Notice of Allowance for U.S. Appl. No. 29/743,416; dated Apr. 21, 2021.

Console, Item# W58SGRD Assembly Instructions; found online Jul. 2, 2020; retrieved on May 3, 2021, (online); https://www.overstock.com/downloads/pdf/1219684877_1dbe384b-588a-3260-a4d9-6d3bac52ba4a.pdf.

(56)

References Cited

OTHER PUBLICATIONS

Renegar 2 Door Accent Cabinet; Wayfair.com; found online Apr. 21, 2021; retrieved May 3, 2021 (online); <https://www.wayfair.com/furniture/pdp/gracie-oaks-renegar-2-door-accent-cabinet-w001524010.html>.

Guadalupe TV Stand; Wayfair.com; found online Apr. 21, 2021; retrieved May 4, 2021 (online); <https://www.wayfair.com/furniture/pdp/guadalupe-tv-stand-for-tvs-up-to-65-w003233469.html?piid=848017954>.

Corsham TV Stand; Wayfair.com; found online Apr. 21, 2021; retrieved May 4, 2021 (online); <https://www.wayfair.com/furniture/pdp/rosalind-wheeler-corsham-tv-stand-for-tvs-up-to-65-w003211663.html>.

Everitt TV Stand; Wayfair.com; found online Apr. 21, 2021; retrieved May 4, 2021 (online); <https://www.wayfair.com/furniture/pdp/gracie-oaks-everitt-tv-stand-for-tvs-up-to-65-w001524186.html?piid=1788638279>.

Guadalupe TV Stand with Electric Fireplace; Wayfair.com; found online Apr. 21, 2021; retrieved May 4, 2021 (online); <https://www.wayfair.com/furniture/pdp/guadalupe-tv-stand-for-tvs-up-to-65-with-electric-fireplace-included-w003233344.html>.

Brianna TV Stand; Wayfair.com; found online Apr. 21, 2021; retrieved May 4, 2021 (online); <https://www.wayfair.com/furniture/pdp/coastal-farmhouse-brianna-tv-stand-for-tvs-up-to-80-w004028674.html>.

Fryar TV Stand; Wayfair.com; found online Apr. 21, 2021; retrieved May 4, 2021 (online); <https://www.wayfair.com/furniture/pdp/gracie-oaks-fryar-tv-stand-for-tvs-up-to-75-w001713808.html>.

Polegate TV Stand; Wayfair.com; found online Apr. 21, 2021; retrieved May 4, 2021 (online); <https://www.wayfair.com/furniture/pdp/three-posts-teen-polegate-tv-stand-for-tvs-up-to-70-w000171190.html>.

Brawley TV Stand; Wayfair.com; found online Apr. 21, 2021; retrieved May 4, 2021 (online); <https://www.wayfair.com/furniture/pdp/17-stories-brawley-tv-stand-for-tvs-up-to-65-w004231614.html>.

Lorraine TV Stand; Wayfair.com; found online Apr. 21, 2021; retrieved May 4, 2021 (online); <https://www.wayfair.com/furniture/pdp/three-posts-lorraine-tv-stand-for-tvs-up-to-60-w001527559.html>.

Skofte TV Stand; Wayfair.com; found online Apr. 21, 2021; retrieved May 4, 2021 (online); <https://www.wayfair.com/furniture/pdp/gracie-oaks-skofte-tv-stand-for-tvs-up-to-60-w001487399.html>.

Miah TV Stand; Wayfair.com; found online Apr. 21, 2021; retrieved May 4, 2021 (online); <https://www.wayfair.com/furniture/pdp/rosalind-wheeler-miah-tv-stand-for-tvs-up-to-60-w002831147.html>.

Grendel TV Stand; Wayfair.com; found online Apr. 21, 2021; retrieved May 4, 2021 (online); <https://www.wayfair.com/furniture/pdp/gracie-oaks-grendel-tv-stand-for-tvs-up-to-65-w003337326.html>.

Heger TV Stand; Wayfair.com; found online Apr. 21, 2021; retrieved May 4, 2021 (online); <https://www.wayfair.com/furniture/pdp/gracie-oaks-heger-tv-stand-for-tvs-up-to-65-w002101430.html>.

Erwine TV Stand; Wayfair.com; found online Apr. 21, 2021; retrieved May 4, 2021 (online); https://www.wayfair.com/furniture/pdp/gracie-oaks-erwine-tv-stand-for-tvs-up-to-65-w004339905.html?categoryId=1868409&placement=3&slot=4&sponsoredid=0ca938f17db89643b10f637f9b2b9c0dba95bcc09d09607add3721a8a0b5e2dc&_txid=I%2FcmXF%2B1T41hnharBpMJA%3D%3D&isB2b=0&auctionId=f9be48b1-0bcd-4aaf-b285-dbb3ea880db5.

Sliding Barn Door Television Stand; Amazon.com; found online Apr. 21, 2021; retrieved May 4, 2021 (online); https://www.amazon.com/Home-Accent-Furnishings-Sliding-Television/dp/B07DKX44QQ/ref=sr_1_6?dchild=1&keywords=sliding+barn+door+tv+stand&qid=1603301187&sr=8-6.

Farmhouse Sliding Barn Door TV Stand; Amazon.com; found online Apr. 21, 2021; retrieved May 4, 2021 (online); <https://www.amazon.com/Rainbow-Sophia-Forest-Wooden-Sliding/dp/>

B081VWRSK/ref=sr_1_2?dchild=1&keywords=sliding+barn+door+tv+stand&qid=1603301187&sr=8-2.

GHQME Sliding Barn Door TV Stand; Amazon.com; found online Apr. 21, 2021; retrieved May 4, 2021 (online); https://www.amazon.com/GHQME-Table%EF%BC%8CWood-Universal-Stand%EF%BC%8CLiving-Entertainment/dp/B083BJR9YF/ref=sr_1_1_sspa?dchild=1&keywords=sliding+barn+door+tv+stand&qid=1603301187&sr=8-1-spons&psc=1&spLa=ZW5jenlwdGVkUXVhbGlmaWVyPUExVTYyT1hNVDk1VIVRJMmVuY3J5cHRIZElkPUEwMjgxmjgwMVVKTESHRkdKROUYTCZlbnNyeXBOZWZWRBZEIkPUEwNzQ5NzU4M1BENOWyMFPmNUgXQSZ3aWRnZXROYW1IPXNwX2FOZiZhY3Rpb249Y2xpY2tSZWRpcmVjdCZkb05vdExvZ0NsaWNrPXRydWU=.

Pamari Wrangler Sliding Barn Door TV Stand; Amazon.com; found online Apr. 21, 2021; retrieved May 4, 2021 (online); https://www.amazon.com/dp/B07KSMQH4D/refdp_cr_wdg_tit_nw_mr.

The Gray Barn Berkley TV Stand; Overstock.com; found online Apr. 21, 2021; retrieved May 4, 2021 (online); <https://www.overstock.com/Home-Garden/Convenience-Concepts-Blake-Barn-Door-TV-Stand/28387177/product.html?recalg=954%2C873%2C839&recidx=2&recset=0a8617dc-0d40-4dcf-b57f-7220ec2436da&refccid=2NUDESZYPUPIJKBLPZR6M7VUE>.

The Gray Barn Ansley Media Console; Overstock.com; found online Apr. 21, 2021; retrieved May 4, 2021 (online); <https://www.overstock.com/Home-Garden/Entertainment-Centers/2029/subcat.html?featuredproduct=31934591>.

Barn Door Rustic TV Stand; Overstock.com; found online Apr. 21, 2021; retrieved May 4, 2021 (online); <https://www.overstock.com/Home-Garden/TV-Stand-for-TVs-up-to-60-inches/30841483/product.html?TID=PDP%3ASimilarItemsCarousel%3Aclick&recalg=954%2C930&recidx=0&recset=0f33724c-aeb3-4523-8c14-9d784eb7cf87&refccid=GRRWJGIVNYNLCD2OLNZIHD3SPQ>.

Ktaxon 58' Farmhouse TV Stand; Walmart.com; found online Apr. 21, 2021; retrieved May 4, 2021 (online); <https://www.walmart.com/ip/Ktaxon-58-Farmhouse-TV-Stand-TVs-60-Sliding-Wood-Barn-Door-Media-Console-Storage-Cabinet-Rustic-Gray-Wash-Entertainment-Center-Living-Room/671965194>.

Sekey Home Sliding Barn Door TV Stand; Walmart.com; found online Apr. 21, 2021; retrieved May 4, 2021 (online); <https://www.walmart.com/ip/Sekey-Home-Sliding-Barn-Door-TV-Stand-Entertainment-Center-TV-Console-for-58-for-Flat-Screen-TV-s-Up-to-65-Light-Oak/458659151>.

Wrangler Sliding Barn Door TV Stand; Walmart.com; found online Apr. 21, 2021; retrieved May 4, 2021 (online); <https://www.walmart.com/ip/pamari-tc54-6127-tpg03-wrangler-sliding-barn-door-tv-stand-off-white/232902955>.

UBesGoo Wooden TV Stand; Walmart.com; found online Apr. 21, 2021; retrieved May 5, 2021 (online); <https://www.walmart.com/ip/UBesGoo-Wooden-58-TV-Stand-for-TVs-up-to-60-with-Sliding-Wood-Barn-Door-Media-Console-Storage-Cabinet-for-Living-Room-Bedroom-Rustic-Gray-Wash/152098747>.

Walker Edison White Oak Sliding Barn Door Media Console; Walmart.com; found online Apr. 21, 2021; retrieved May 5, 2021 (online); https://www.walmart.com/ip/58-inch-Sliding-Barn-Door-TV-Stand-Media-Console-in-White-Oak/207240611?wpa_bd=&wpa_pg_seller_id=203317B21FE947819EB684DAE150ECA5&wpa_ref_id=wpaqs:d_0rL0QQqieprA9uyaaVHrAzrOtC-Wq7We-HPBeJZ4x2Sw4Gpn_0lh25qru9K6ySqAW-QcvE3KfQy194-h8-MvmpzeSFJim72C-yCvH20ltMjV0nstG23HBInTx63HkquiB05hGWHy8kVH0xlaFLkbyfv2FAVWjeQNq2bW_hy9-0QU8KSQFz6Qk0VVS145ek5NrhChuAbB5luyXKyBnz7mBFX5QNgOiDbJF_agFSWAa0WyLemcKJRpUROh3rkbe2KNnr4XI_but_fHWOGMo6IGSyxVrdkdPvJOExzLt4pA&wpa_tag=&wpa_aux_info=&wpa_pos=1&wpa_plmt=1145x1145_T-C-IG_TI_1-2_HL-INGRID-GRID-NY&wpa_aduid=5766f3ab-d7ae-4319-80dd-6f96862cee51&wpa_pg=search&wpa_pg_id=sliding%20barn%20door%20tv%20stand&wpa_st=sliding%2Bbarn%2Bdoor%2Btv%2Bstand&wpa_tax=4044_103150_635499_2546222&wpa_bucket=__bkt__.

Albright TV Stand; Wayfair.com; found online Apr. 21, 2021; retrieved May 3, 2021 (online); <https://www.wayfair.com/furniture/pdp/three-posts-albright-tv-stand-w003419693.html?placement=1>.

(56)

References Cited

OTHER PUBLICATIONS

Chantell TV Stand; Wayfair.com; found online Apr. 21, 2021; retrieved May 5, 2021 (online); <https://www.wayfair.com/furniture/pdp/latitude-run-chantell-tv-stand-for-tvs-up-to-65-lrun1015.html>.

Gainesboro TV Stand; Wayfair.com; found online Apr. 21, 2021; retrieved May 5, 2021 (online); <https://www.wayfair.com/furniture/pdp/winston-porter-gainesboro-tv-stand-for-tvs-up-to-65-w003895133.html>.

Albritton TV Stand; Wayfair.com; found online Apr. 21, 2021; retrieved May 5, 2021 (online); <https://www.wayfair.com/furniture/pdp/three-posts-albritton-tv-stand-for-tvs-up-to-65-w003404447.html?placement=1>.

Chabelli TV Stand; Wayfair.com; found online Apr. 21, 2021; retrieved May 5, 2021 (online); https://www.wayfair.com/furniture/pdp/latitude-run-chabelli-tv-stand-for-tvs-up-to-65-w004029827.html?categoryid=1868409&placement=3&slot=5&sponsoredid=bb92fbde3cc952ed7e2c82697812cb88232c512191dad5893e80ad17d6adb05f&_txid=1%2FcmXF%2B1_T41hnharBpMJA%3D%3D&isB2b=0&auctionId=f9be48b1-0bcd-4aaf-b285-dbb3ea880db5.

Gaither TV Stand; Wayfair.com; found online Apr. 21, 2021; retrieved May 5, 2021 (online); <https://www.wayfair.com/furniture/pdp/alcott-hill-gaither-tv-stand-for-tvs-up-to-65-with-fireplace-included-acot3821.html>.

Plazonja TV Stand; Wayfair.com; found online Apr. 21, 2021; retrieved May 5, 2021 (online); <https://www.wayfair.com/furniture/pdp/winston-porter-plazonja-tv-stand-for-tvs-up-to-75-w002590978.html>.

Alis e Console; Wayfair.com; found online Apr. 21, 2021; retrieved May 5, 2021 (online); <https://www.wayfair.com/furniture/pdp/ebern-designs-alisee-tv-stand-for-tvs-up-to-78-w002981803.html>.

Bolderberg Console; Wayfair.com; found online Apr. 21, 2021; retrieved May 5, 2021 (online); <https://www.wayfair.com/furniture/pdp/winston-porter-bolderberg-tv-stand-for-tvs-up-to-78-w003404204.html?placement=1>.

Dunsmuir TV Stand; Wayfair.com; found online Apr. 21, 2021; retrieved May 5, 2021 (online); <https://www.wayfair.com/furniture/pdp/andover-mills-dunsmuir-tv-stand-for-tvs-up-to-78-w002122263.html>.

Annaliece TV Stand; Wayfair.com; found online Apr. 21, 2021; retrieved May 5, 2021 (online); <https://www.wayfair.com/furniture/pdp/red-barrel-studio-annaliece-tv-stand-for-tvs-up-to-78-w004115724.html>.

Straughn TV Stand; Wayfair.com; found online Apr. 21, 2021; retrieved May 5, 2021 (online); <https://www.wayfair.com/furniture/pdp/gracie-oaks-straughn-tv-stand-for-tvs-up-to-78-w004455598.html>.

Strausstown TV Stand; Wayfair.com; found online Apr. 21, 2021; retrieved May 5, 2021 (online); <https://www.wayfair.com/furniture/pdp/gracie-oaks-strausstown-tv-stand-for-tvs-up-to-78-w004458013.html>.

Adcock TV Stand; Wayfair.com; found online Apr. 21, 2021; retrieved May 5, 2021 (online); <https://www.wayfair.com/furniture/pdp/andover-mills-adcock-tv-stand-for-tvs-up-to-78-w004124702.html?placement=7>.

Gaudreau TV Stand; Wayfair.com; found online Apr. 21, 2022; retrieved May 5, 2021 (online); <https://www.wayfair.com/furniture/pdp/red-barrel-studio-gaudreau-solid-wood-tv-stand-for-tvs-up-to-78-qdy2069.html>.

Himrod TV Stand; Wayfair.com; found online Apr. 21, 2021; retrieved May 5, 2021 (online); <https://www.wayfair.com/furniture/pdp/loon-peak-himrod-tv-stand-for-tvs-up-to-78-w004412411.html>.

Mouton TV Stand; Wayfair.com; found online Apr. 21, 2021; retrieved May 5, 2021 (online); <https://www.wayfair.com/furniture/pdp/foundry-select-mouton-tv-stand-for-tvs-up-to-78-w001812510.html>.

Humphery TV Stand; Google Search; Wayfair.com; found online Apr. 21, 2021; retrieved May 10, 2021 (online); <https://www.hickoryfurniture.com/itembrowser.aspx?action=attributes&itemtype=furniture&event=reset&wcsearch=bridgeport>.

Vigue TV Stand; Wayfair.com; found online Apr. 21, 2021; retrieved May 5, 2021 (online); <https://www.wayfair.com/furniture/pdp/foundry-select-vigue-tv-stand-for-tvs-up-to-78-w002881900.html>.

Gorete TV Stand; Wayfair.com; found online Apr. 21, 2021; retrieved May 5, 2021 (online); <https://www.wayfair.com/furniture/pdp/latitude-run-gorete-tv-stand-for-tvs-up-to-78-w004589072.html>.

Alcott Hill TV Stand with Fireplace; Wayfair.com; found online Apr. 21, 2021; retrieved May 5, 2021 (online); <https://www.wayfair.com/furniture/pdp/alcott-hill-santa-tv-stand-for-tvs-up-to-70-with-fireplace-included-w001442995.html?piid=1644522337>.

West Elm Website “furniture” search; Westelm.com; retrieved Apr. 20, 2020 (online); https://www.westelm.com/shop/furniture/?searchredir=true&cm_sp=HeaderLinks_-_OnsiteSearch_-_MainSite&cm_type=OnsiteSearch&term=furniture&searchredirtype=br.

Raymour Flanigan Website “Living Rooms” search; raymourflanigan.com; retrieved Nov. 6, 2020 (online); <https://raymourflanigan.com/living-rooms>.

Crate and Barrel Website “Business Interior Design” search; crateandbarrel.com; retrieved Nov. 6, 2020 (online); https://www.crateandbarrel.com/trade-program/?a=784&campaignid=1061902950&adgroupid=55881134521&targetid=aud-1097585102856:kwd-415008832538&adpos=&creative=251673559670&device=c&matchtype=e&network=g&gclid=Cj0KCCQjwytOEBhD5ARIsANnRjVgCRKameP5yMquG6rsNP7KAU-nUpzG5NfgZU-PhRCRUgz507lttMaAhvLEALw_wcB.

Crate and Barrel Website “Business Office Design” search; crateandbarrel.com; retrieved Nov. 6, 2020 (online); <https://www.crateandbarrel.ca/trade-program/>.

Penny Mustard Website “Bridgeport” search; pennymustard.com; retrieved May 13, 2020 (online); <https://www.pennymustard.com/search.inc?q=bridgeport&p=1>.

Home Living Furniture Website “coaster furniture, bridgeport, servers” search; homelivingfurniture.com; retrieved May 13, 2020 (online); https://www.homelivingfurniture.com/st/_t_/105525.

Whitley Furniture Website “dining room, gat-creek, curio cabinets, bridgeport” search; whitleygalleries.com; retrieved May 13, 2020 (online); <https://www.whitleygalleries.com/gat-creek-bridgeport-four-door-cabinet/81593-1137/iteminformation.aspx>.

Oak Finish 70-Inch TV Stand, <https://www.inspireq.com/products/oak-finish-tv-stand-e976ak-t>, retrieved Jun. 2, 2021.

Grey Wash Finish TV Stand, <https://www.inspireq.com/collections/living-room/products/grey-wash-finish-tv-stand-with-door-e975gat>, retrieved Jun. 2, 2021.

Matte Black Finish Metal Coat Rack with Ladder Shelf, <https://www.inspireq.com/collections/home-decor/products/matte-black-finish-metal-coat-rack-with-ladder-shelf-e824bk>, retrieved Jun. 2, 2021.

Sadie Low Bookshelf, https://www.homethreads.com/products/furniture/tv-stands/sadie-low-bookshelf-oak?gclid=CjwKCAjwJ2FBhAuEiwAiku1903PBxz3p9PodtUUqKh6fPJHib_PGluJBJNuddyHp8BBTK412S1BoCgOoQAvD_BwE, retrieved Jun. 2, 2021, available on information and believe as early as Aug. 2013.

Ameriwood Home Farmington Electric Fireplace TV Console for TVs up to 60", Rustic, https://www.amazon.com/Ameriwood-Home-Farmington-Electric-Fireplace/dp/B01JADOQ52/ref=dp_prsubs_1?pd_rd_i=B01JADOQ52&psc=1, retrieved Jun. 2, 2021, available on information and believe as early as Jul. 2016.

Farmington 60 in. Century Barn Pine Wood TV Stand with 2 Drawer Fits TVs Up to 60 in. with Storage Doors, https://www.homedepot.com/pep/Altra-Furniture-Farmington-60-in-Century-Barn-Pine-Wood-TV-Stand-with-2-Drawer-Fits-TVs-Up-to-60-in-with-Storage-Doors-1783215PCOM/300318849?source=shoppingads&locale=en-US&mtc=Shopping-BA-F_HDH-G-D59-59_34_INTERIOR_FURNITURE-MULTI-NA-Feed-PLA-NA-NA-059_034_006_HOME_ENTERTAINMENT_FURN_Home_Entertainment&cm_mmc=Shopping-BA-F_HDH-G-D59-59_34_INTERIOR_FURNITURE-MULTI-NA-Feed-PLA-NA-NA-059_034_006_HOME_ENTERTAINMENT_FURN_Home_Entertainment-7170000051494672-58700004993904823-92700061190272430&gclid=CjwKCAjwJ2FBhAuEiwAiku19pVm9Q_

(56)

References Cited

OTHER PUBLICATIONS

uSEY88TOeOkNffZ8IAfWHtpcxTuqczP5-EYfeixW15etjLxoCh_QQAvD_BwE&gclid=aw.ds, retrieved Jun. 2, 2021, available on information and believe as early as Dec. 2015.

DIY Media Console—Free Plans, <https://www.shanty-2-chic.com/2015/07/diy-media-console-free-plans.html>, retrieved Jun. 2, 2021, available on information and believe as early as Jul. 2015.

DIY Barn Door Media Console, <https://www.shanty-2-chic.com/2014/06/diy-barn-door-media-console.html>, retrieved Jun. 2, 2021, available on information and believe as early as Jun. 2014.

Joss & Main TV Stand, available on information and believe as early as Jul. 2015.

Rogue Engineer, DIY Rustic Media Center, <https://rogueengineer.com/diy-rustic-media-center-plans/>, retrieved Jun. 2, 2021, available on information and believe as early as Jul. 2015.

Ameriwood Home Bloomfield Natural/Heritage Light Pine TV Stand, <https://www.lowes.com/pd/Ameriwood-Home-Bloomfield-TV-Stand-for-TVs-up-to-60-in-Natural/1003087852>, retrieved Jun. 2, 2021.

Custom 9-Foot Rustic Buffet, <https://www.pinterest.com/pin/40250990400157640/>, retrieved Jun. 2, 2021, available on information and believe as early as Jan. 2017.

Sauder Dakota Pass Credenza, https://us.amazon.com/dp/B01GK8VWPC/ref=tbl_dp_B07LGGGCFQ_0, retrieved Jun. 2, 2021, available on information and believe as early as Mar. 2016.

Aspen Antique Red 64" TV Stand, <https://www.sancarlosimports.com/asanredtvst.html>, retrieved Jun. 2, 2021, available on information and believe as early as Dec. 2015.

San Carlos Imports Santiago TV Stand, available on information and believe as early as Dec. 2015.

San Carlos Imports San Felipe TV Stand, available on information and believe as early as Dec. 2015.

Aspen Antique Multi Color 76" TV Stand, <https://www.pinterest.com/pin/315040936427682950/>, retrieved Jun. 2, 2021, available on information and believe as early as Dec. 2015.

San Carlos 65" Rustic TV Stand with Cross, <https://www.sancarlosimports.com/rustic-tv-stand-cross.html>, retrieved Jun. 2, 2021, available on information and believe as early as Dec. 2015.

Laredo Rustic 60" TV Stand, <https://www.pinterest.com/pin/37295503137850917/>, retrieved Jun. 2, 2021, available on information and believe as early as Dec. 2015.

San Carlos 48" TV Stand, <https://www.sancarlosimports.com/sanca48rutvs.html>, retrieved Jun. 2, 2021, available on information and believe as early as Dec. 2015.

Mountain Modern Cabinet, available on information and believe as early as Oct. 2015.

Safavieh American Homes Collection Sadie Low Bookshelf, Oak, retrieved from <https://www.amazon.com/Safavieh-AMH6525C-American-Collection-Bookshelf/dp/B00MMBHHVK> on Jun. 3, 2021.

Safavieh American Homes Collection Sadie Off White Low Bookshelf, found online on May 12, 2021 at https://www.amazon.com/dp/B004LGP9FO/ref=cm_sw_su_dp?tag=50kud003-20&th=1, retrieved Jun. 3, 2021.

Safavieh Sadie Low Bookshelf, found online at <https://web.archive.org/web/20150327201221/https://safavieh.com/furniture/bookcases/amh6525c>, retrieved Jun. 3, 2021, available on information and belief as early as Mar. 27, 2015.

Safavieh Sadie Country Nautical Low Bookshelf, found online on May 10, 2021 at <https://www.walmart.com/ip/Safavieh-Sadie-Country-Nautical-Low-Bookshelf/37549808?selected=true>, retrieved Jun. 3, 2021.

UHURU Furniture & Collectibles Long Low Wooden Bookcase, found online at <https://uhurufurniture.blogspot.com/2011/08/long-low-wooden-bookcase-90.html>, retrieved Jun. 3, 2021, available on information and belief as early as Aug. 17, 2011.

Woven Paths Open Storage TV Stand for TVs up to 80", Espresso, found online on May 10, 2021 at <https://www.walmart.com/ip/Woven-Paths-Open-Storage-TV-Stand-for-TVs-up-to-80-Espresso/411955245>, retrieved Jun. 3, 2021.

Notice of Allowance for U.S. Appl. No. 29/699,063; dated Jun. 17, 2021.

Notice of Allowance for U.S. Appl. No. 29/698,919; dated Jun. 23, 2021.

Office Action for U.S. Appl. No. 29/756,302; dated Jul. 12, 2021. "Pemberly Row Farmhouse Mesh Sliding Barn Door 32-inch Wood Home Coffee Station." Found online Jun. 30, 2021 at www.amazon.com. Product first available Dec. 28, 2018. Retrieved from URL: <https://tinyurl.com/2h79ybk5> (Year: 2018).

"Home Square 2 Piece Farmhouse Mesh Barn Door TV Stand." Found online Jun. 30, 2021 at www.amazon.com. Product first available Dec. 6, 2019. Retrieved from URL: <https://www.amazon.com/Home-Square-Farmhouse-Console-Cabinet/dp/B082DZ5J83?th=1> (Year 2019).

"The Gray Barn Kujawa Sliding Mesh Door Console." Found online Jun. 30, 2021 at www.overstock.com. Product reviewed May 11, 2020. Retrieved from URL: <https://tinyurl.com/24ttxchw> (Year: 2020).

"SSLine 32-inch Farmhouse Accent Storage Cabinet." Found online Jun. 30, 2021 at www.amazon.com. Product first available Jul. 20, 2020. Retrieved from URL: <https://www.amazon.com/dp/B0915LKX3W/?tag=abnd-20&th=1> (Year: 2020).

"Rustic Cabinet Barn Door Console." Found online Jun. 30, 2021 at www.ebay.com. Page dated Sep. 5, 2020. Retrieved from URL: <https://www.ebay.com/itm/313181659463> (Year: 2020).

"handbird Display Cabinet." Found online Jun. 30, 2021 at www.kmart.com. Product first available Jan. 29, 2021. Retrieved from URL: <https://www.kmart.com/handbird-display-cabinet-tv-stand-w-sliding-barn/p-A093830443> (Year: 2021).

Ex Parte Quayle Office Action for U.S. Appl. No. 29/756,303; dated Jul. 12, 2021.

"Walker Edison Weston Modern Farmhouse Sliding Glass Door Storage Console." Found online Jun. 30, 2021 at www.amazon.com. Product reviewed Mar. 26, 2019. Retrieved from URL: <https://tinyurl.com/3vnkj5z7> (Year: 2019).

"Manor Park 32 Sliding Glass Door Accent Cabinet." Found online Jun. 30, 2021 at www.walmart.com. Product reviewed Jul. 17, 2020. Retrieved from URL: <https://www.walmart.com/ip/Manor-Park-32-Sliding-Glass-Door-Accent-Cabinet-Solid-White/927438446?selected=true> (Year: 2020).

Notice of Allowance for U.S. Appl. No. 29/756,305; dated Jul. 16, 2021.

Notice of Allowance for U.S. Appl. No. 29/756,291; dated Jul. 14, 2021.

Notice of Allowance for U.S. Appl. No. 29/756,763; dated Jul. 23, 2021.

Sha Cerlin 52" Farmhouse TV Stand with Sliding Barn Door, retrieved from https://www.amazon.com/SHA-CERLIN-Farmhouse-Adjustable-Entertainment/dp/B094JWM1QF/ref=sr_1_21?dchild=1&m=A2YBITOQ3E0O2T&marketplaceID=ATVPDKIKXODER&qid=1626471396&s=merchant-items&sr=1-21, available on information and belief as of May 10, 2021; retrieved on Aug. 18, 2021.

Sha Cerlin TV Stand, retrieved from https://www.amazon.com/SHA-CERLIN-Farmhouse-Entertainment-Adjustable/dp/B094SWDB8J/ref=sr_1_63?dchild=1&keywords=sha+cerlin&qid=1626467539&s=home-garden&sr=1-63, available on information and belief as of May 13, 2021; retrieved on Aug. 18, 2021.

Restriction Requirement for U.S. Appl. No. 29/743,423; dated Sep. 7, 2021.

Restriction Requirement for U.S. Appl. No. 29/743,237; dated Sep. 7, 2021.

Walker Edison Willa Modern Farmhouse Sliding Single Slat Door Storage Console. Found online Jun. 30, 2021 at www.amazon.com. Product reviewed Jun. 18, 2019. Retrieved from URL: <https://tinyurl.com/4n3s9x45> (Year: 2019).

Woven Paths 32-inch Sliding Slat Door Accent Cabinet. Found online Jun. 30, 2021 at www.walmart.com. Product reviewed Sep. 14, 2019. Retrieved from URL: <https://tinyurl.com/2bsjztyv> (Year: 2019).

"HOM ECHO Farmhouse Storage Cabinet." Found online Jun. 30, 2021 at www.amazon.com. Product first available Oct. 7, 2020. Retrieved from URL: <https://tinyurl.com/9f2yj8ks> (Year: 2020).

(56)

References Cited

OTHER PUBLICATIONS

“HOMCOM Rustic Farmhouse Accent Side Cabinet.” Found online Jun. 30, 2021 at www.amazon.com. Product first available Jan. 20, 2021. Retrieved from URL: <https://tinyurl.com/ntzeu7ey> (Year: 2021).

Office Action for U.S. Appl. No. 29/743,244; dated Sep. 10, 2021. “Carson Carrington Esbo 48-inch Corner TV Stand Console” Jun. 29, 2020, overstock.com, site visited Sep. 7, 2021 <<https://www.overstock.com/Home-Garden/Carson-Carrington-Esbo-48-2-Door-Glass-Shelf-Corner-TV-Console/30270125/product.html>> (Year: 2020). Office Action for U.S. Appl. No. 29/743,250; dated Sep. 14, 2021. Office Action for U.S. Appl. No. 29/743,584; dated Sep. 14, 2021. Office Action for U.S. Appl. No. 29/743,247; dated Sep. 15, 2021. Notice of Allowance for U.S. Appl. No. 29/743,240; dated Sep. 15, 2021.

Restriction Requirement for U.S. Appl. No. 29/743,246; dated Sep. 14, 2021.

Notice of Allowance for U.S. Appl. No. 29/743,418; dated Sep. 20, 2021.

Sauder Saddler Way TV Stand for TVs up to 68", Lintel Oak Finish, retrieved from <https://www.walmart.com/ip/Sauder-Saddler-Way-TV-Stand-for- TVs-up-to-65-Lintel-Oak-Finish/522898196> on Sep. 23, 2021.

Sauder Adept Storage Accent Storage Cabinet, For TV's up to 39", Craftsman Oak finish, retrieved from https://www.amazon.com/Sauder-Adept-Storage-Cabinet-Craftsman/dp/B076FBWJV3/ref=cm_cr_ar_p_d_product_top?ie=UTF8 on Sep. 23, 2021.

Sauder Dakota Pass Entertainment/Fireplace Credenza, For TV's up to 60", Craftsman Oak finish, Retrieved from https://www.amazon.com/Sauder-419119-Entertainment-Fireplace-Craftsman/dp/B016QM1N1K/ref=cm_cr_ar_p_d_product_top?ie=UTF8 on Sep. 23, 2021.

Fireplace TV Credenza with Glass Doors, retrieved from <https://www.sauder.com/furniture/427377/fireplace-tv-credenza-with-glass-doors> on Sep. 23, 2021.

Sauder Barrister Lane Media Fireplace, for TVs up to 60", Salt Oak finish, retrieved from https://www.amazon.com/Sauder-Barrister-Fireplace-Entertainment-Accommodates/dp/B07GC88LRN/ref=cm_cr_ar_p_d_product_top?ie=UTF8 on Sep. 23, 2021.

JAXPETY 58" Wooden TV Stand with Glass Door for 65" TVs Farmhouse Style Media Console Storage Cabinet Entertainment Center for Living Room, retrieved from <https://www.sears.com/jaxpety-58inch-wooden-tv-stand-w-glass-door/p-A105951271> on Sep. 28, 2021.

Jaxpety 58" Farmhouse Barn Door TV Stand for TVs up to 65", Wooden Media Console Storage Cabinet for Living Room, Bedroom, Brown Oak, retrieved from <https://www.walmart.com/ip/Jaxpety-58-Farmhouse-Barn-Door-TV-Stand-for- TVs-up-to-65-Wooden-Media-Console-Storage-Cabinet-for-Living-Room-Bedroom-Brown-Oak/314330068> on Sep. 28, 2021.

Notice of Allowance for U.S. Appl. No. 29/756,303; dated Oct. 1, 2021.

Office Action for U.S. Appl. No. 29/773,569; dated Oct. 6, 2021. “Walker Edison Beaumont.” Found online Sep. 13, 2021 at www.amazon.com. Product first available Nov. 8, 2018. Retrieved from URL: https://www.amazon.com/dp/B07K9F9YGF/ref=sbl_dp_B092VPQV67_0 (Year: 2018).

“Woven Paths Modern Farmhouse Sliding Door Accent.” Found on line Sep. 13, 2021 at www.walmart.com. Product reviewed Jan. 19, 2019. Retrieved from URL: <https://www.walmart.com/ip/Woven-Paths-Modern-Farmhouse-Sliding-Door-Accent-Cabinet-Stone-Grey/418425379> (Year: 2019).

“Sauder Adept Storage Accent Storage Cabinet.” Found on line Sep. 13, 2021 at www.amazon.com. Product first available Oct. 30, 2017. Retrieved from URL: <https://tinyurl.com/2e7tnx7d> (Year: 2017). Notice of Allowance for U.S. Appl. No. 29/756,302; dated Oct. 27, 2021.

Office Action for U.S. Appl. No. 29/756,305; dated Nov. 15, 2021. Notice of Allowance for U.S. Appl. No. 29/743,240; dated Nov. 24, 2021.

Notice of Allowance for U.S. Appl. No. 29/743,418; dated Nov. 24, 2021.

“LuxenHome 3 Piece White Wood Bathroom Furniture Set” <https://www.homesquare.com/LuxenHome-3-Piece-White-Wood-Bathroom-Furniture-Set-2397532-PKG.htm> Found online Nov. 12, 2021; Retrieved on Dec. 2, 2021.

“Luxen Home Wood Farmhouse Storage Cabinet” https://shopping.yahoo.com/product/00810000777488/Luxen-Home-Wood-Farmhouse-Storage-Cabinet?pid=skimlinks_310-10477784&guccounter=1 Found online Nov. 12, 2021; Retrieved on Dec. 2, 2021.

“Luxen Home Rustic Chic Sliding Door Wood Cabinet” https://shopping.yahoo.com/product/00810000772858/Luxen-Home-Rustic-Chic-Sliding-Door-Wood-Cabinet?pid=skimlinks_310-9997530 Found online Nov. 12, 2021; Retrieved on Dec. 2, 2021.

“LuxenHome Sliding Door White Wood Wall Cabinet” <https://www.cymax.com/Sliding-Door-White-Wood-Wall-Cabinet-WHIF1248.htm> Found online Nov. 12, 2021; Retrieved on Dec. 2, 2021.

“LuxenHome Natural Oak Finish Wine Bar Cabinet with 2 Drawers, Wood Storage Sideboard with Slide Door, Corner Coffee Table with 2-Layer Storage Shelf for Dining Room Kitchen, 32 inch, Oak Color” https://www.amazon.com/LuxenH%C3%B6me-Natural-Cabinet-Drawers-Sideboard/dp/B097TTJMMT?ref=ast_sto_dp&th=1 Found online Nov. 12, 2021; Retrieved on Dec. 2, 2021.

“LuxenHome Weathered Wood Storage Single Barn Door Wall Cabinet, Farmhouse Wall Storage with Shelves Inside, Kitchen Wall Cabinet for Daily use, 22 Inch, Disdressed Wood” https://www.amazon.com/LuxenH%C3%B6me-Weathered-Storage-Farmhouse-Disdressed/dp/B09GL3WNL9/ref=sr_1_51?dchild=1&m=ADLW6LFQJQSW&marketplaceID=ATVPDKIKXODER&qid=1633737779&s=merchant-items&sr=1-51&th=1 Found online Nov. 12, 2021; Retrieved on Dec. 2, 2021.

“LuxenHome Pallet Sliding Door Wood Storage Cabinet, Modern Farmhouse Sliding Single Slat Door Storage Console, Coffee Table with Shelves Inside for Kitchen Living Room Bedroom, 32 inch, White/Brown” <https://www.amazon.com/Luxen-Pallet-Sliding-Storage-Cabinet/dp/BO8PDV42M3?> Found online Nov. 12, 2021; Retrieved on Dec. 2, 2021.

“WAMPAT Farmhouse Sliding Barn Door Accent Cabinet Buffet Entryway Bar Storage Table for Living Room, Bathroom and Home Kitchen, 35 Inch, White” <https://www.ubuy.co.id/en/product/1NJGSUT4-wampat-farmhouse-sliding-barn-door-accent-cabinet-buffet-entryway-bar-storage-table-for-living-room> Found online Nov. 12, 2021; Retrieved on Dec. 2, 2021.

“BELIFEGORY Barn Door Storage Cabinet, Farmhouse Sliding Barn Door Wood Accent Chest Kitchen Buffet Cabinet with Adjustable Shelves for Entryway Bar Home Office (Grey)” <https://www.ubuy.co.id/en/product/ZFHQSXO-belife glory-barn-door-storage-cabinet-farmhouse-sliding-barn-door-wood-accent-chest-kitchen-buffet-c> Found online Nov. 12, 2021; Retrieved on Dec. 2, 2021.

“Luxen Home Bathroom Wall Storage Cabinet” https://shopping.yahoo.com/product/00810000773121/Luxen-Home-Bathroom-Wall-Storage-Cabinet?pid=skimlinks_310-9997549 Found online Nov. 12, 2021; Retrieved on Dec. 2, 2021.

Yosef Entertainment Center for TVs up to 55" <https://www.wayfair.com/furniture/pdp/yosef-entertainment-center-for-tvs-up-to-55-w005296062.html> Found online Nov. 12, 2021; Retrieved on Dec. 2, 2021.

Saugeen TV Stand for TVs up to 64" <https://www.wayfair.com/furniture/pdp/gracie-oaks-saugeen-tv-stand-for-tvs-up-to-64-w003546807.html> Found online Nov. 12, 2021; Retrieved on Dec. 2, 2021.

Mcglathin TV Stand For TVs Up To 70" <https://cyewayinc.com/collections/tv-stand/products/mcglathin-tv-stand-for-tvs-up-to-70?variant=40149957247139> Found online Nov. 12, 2021; Retrieved on Dec. 2, 2021.

“Concordia TV Stand for TVs up to 65" with Fireplace Included” <https://www.wayfair.com/furniture/pdp/gracie-oaks-concordia-tv-stand-for-tvs-up-to-65-with-fireplace-included-w004032688.html> Found online Nov. 12, 2021; Retrieved on Dec. 2, 2021.

“Uli 48" Solid Wood Kitchen Island” <https://www.wayfair.com/furniture/pdp/gracie-oaks-uli-kitchen-island-oak-butcher-block-top-grks7182.html> Found online Nov. 12, 2021; Retrieved on Dec. 2, 2021.

(56)

References Cited

OTHER PUBLICATIONS

“Alayziah 52" Wide Buffet Table” <https://www.wayfair.com/furniture/pdp/gracie-oaks-alayziah-52-wide-buffet-table-w003233776.html> Found online Nov. 12, 2021; Retrieved on Dec. 2, 2021.

“Swedish Hill TV Stand for TVs up to 88" with Fireplace Included” <https://www.wayfair.com/furniture/pdp/gracie-oaks-swedish-hill-tv-stand-for-tvs-up-to-88-with-electric-fireplace-included-w000339756.html> Found online Nov. 12, 2021; Retrieved on Dec. 2, 2021.

Clematite TV Stand for TVs up to 65" <https://www.wayfair.com/furniture/pdp/gracie-oaks-clematite-tv-stand-for-tvs-up-to-65-w003025551.html> Found online Nov. 12, 2021; Retrieved on Dec. 2, 2021.

Arti TV Stand for TVs up to 65" <https://www.wayfair.com/furniture/pdp/gracie-oaks-arti-tv-stand-for-tvs-up-to-65-w004646275.html> Found online Nov. 12, 2021; Retrieved on Dec. 2, 2021.

Garden City TV Stand for TVs up to 65" <https://www.wayfair.com/furniture/pdp/gracie-oaks-garden-city-tv-stand-for-tvs-up-to-65-w002818215.html> Found online Nov. 12, 2021; Retrieved on Dec. 2, 2021.

“Seabeck TV Stand for TVs up to 55" with Fireplace Included” <https://www.wayfair.com/furniture/pdp/gracie-oaks-seabeck-w004878945.html> Found online Nov. 12, 2021 Retrieved on Dec. 2, 2021.

Theobald End Table" <https://www.wayfair.com/furniture/pdp/gracie-oaks-theobald-end-table-with-storage-w005274882.html> Found online Nov. 12, 2021; Retrieved on Dec. 2, 2021.

“Rossitano Solid Wood End Table” <https://www.wayfair.com/furniture/pdp/gracie-oaks-rossitano-end-table-hlds6279.html> Found online Nov. 12, 2021; Retrieved on Dec. 2, 2021.

“Berneau 30.7" Wide Sideboard” <https://www.wayfair.com/furniture/pdp/gracie-oaks-berneau-307-wide-sideboard-w003399479.html> Found online Nov. 12, 2021; Retrieved on Dec. 2, 2021.

“FurnitureR 32 Inch Sideboard Open Storage Cabinet with Sliding Door, 2 Shelves for Kitchen & Dining Furniture,Manufactured Wood” <https://www.amazon.com/FurnitureR-Sideboard-Storage-Furniture-Manufactured/dp/B097PFWYDT> Found online Nov. 12, 2021; Retrieved on Dec. 2, 2021.

“1-Door Accent Cabinet” <https://www.wayfair.com/furniture/pdp/39f-inc-newbarn-cabinet-tnfi2607.html> Found online Nov. 12, 2021; Retrieved on Dec. 2, 2021.

“Newbarn TV Stand” <https://www.homylin.com/products/newbarn-tv-stand> Found online Nov. 12, 2021 Retrieved on Dec. 2, 2021.

“32" Farmhouse Sliding Barn Door Storage Cabinet ,Wood Accent Cabinet Kitchen Buffet Cabinet With Adjustable Shelves White” <https://www.walmart.com/ip/Farmhouse-Sliding-Barn-Storage-Cabinet/306453208> Found online Nov. 12, 2021; Retrieved on Dec. 2, 2021.

“TV Stand with Barn Door, 2 Open Compartments, Cable Management, TV Table for TVs up to 57 Inches” <https://www.walmart.com/ip/TV-Stand-with-Barn-Door-2-Open-Compartments-Cable-Management-TV-Table-for-TVs-up-to-57-Inches/935482009> Found online Nov. 12, 2021; Retrieved on Dec. 2, 2021.

“TV Stand with Barn Door, 2 Open Compartments, Cable Management, TV Table for TVs up to 57 Inches Grey” <https://www.walmart.com/ip/TV-Stand-with-Barn-Door-2-Open-Compartments-Cable-Management-TV-Table-for-TVs-up-to-57-Inches-Grey/379595098> Found online Nov. 12, 2021; Retrieved on Dec. 2, 2021.

Office Action for U.S. Appl. No. 29/743,423; dated Dec. 3, 2021.

Office Action for U.S. Appl. No. 29/743,246; dated Dec. 6, 2021.

Notice of Allowance for U.S. Appl. No. 29/743,237; dated Dec. 13, 2021.

DIY Media Center/Buffet With Barn Doors; “Against the Grain” video <https://www.youtube.com/watch?v=IOF-uZeuoXE>; Found online on Dec. 14, 2021.

Ana White, Grandy Barn Door Console; “How to build barn door console or buffet-free plans by ana-white.com” <http://www.ana-white.com/woodworking-projects/grandy-barn-door-console>; Found online on Dec. 14, 2021; Retrieved on Dec. 17, 2021.

Notice of Allowance for U.S. Appl. No. 29/743,244; dated Jan. 5, 2022.

Notice of Allowance for U.S. Appl. No. 29/743,247; dated Jan. 5, 2022.

Notice of Allowance for U.S. Appl. No. 29/814,516; dated Jan. 20, 2022.

“Leather Belt Silver Square 2 Inch Buckle” Oct. 11, 2016, bucklemybelt.com, site visited Jan. 4, 2022 <<https://bucklemybelt.com/products/silver-square-2-inch-leather-belt>> (Year: 2016).

“Superstrut 5-Count 3/4-in Galvanized/Coated Square Washer” Jul. 6, 2018, lowes.com, site visited Jan. 4, 2022 <<https://www.lowes.com/pd/Superstrut-5-Count-3-4-in-Galvanized-Coated-Square-Washers/3284472>> (Year: 2018).

“2" Wide Brass Leather Belt . . . ” Mar. 6, 2019, etsy.com, site visited Jan. 4, 2022 <https://www.etsy.com/listing/548206878/2-wide-brass-leather-belt-2-inch-belt?click_key=e4f72ca8f0645d9ccb32a01b02514d7ff873a3aa%3A548206878&click_sum=d7a93e5e&rec_type=ss&ref=landingpage_similar_listing_top-1&frs=1>(Year: 2019).

Notice of Allowance for U.S. Appl. No. 29/743,250; dated Jan. 20, 2022.

Notice of Allowance for U.S. Appl. No. 29/743,584; dated Jan. 20, 2022.

Notice of Allowance for U.S. Appl. No. 29/815,518; dated Jan. 24, 2022.

“The Gray Barn Wind Gap 58-inch Sliding Barn Door TV Console” Nov. 6, 2021, overstock.com, site visited Jan. 3, 2022 <<https://www.overstock.com/Home-Garden/The-Gray-Barn-Wind-Gap-58-Sliding-Barn-Door-TV-Console/21852732/product.html>> (Year: 2021).

“Rustic 68" White Barn-Door Media Console” Apr. 19, 2017, houzz.com, site visited Jan. 3, 2022 <https://www.houzz.com/products/rustic-68-white-barn-door-media-console-prvw-vr-820744547m_refid=PLA_HZ_82074454_10577457359&device=c&nw=u&gclid=EA1a1QobChMI-6a19byW9QIV9walCROUqQJUEAQYBSABEgKqlvD_BwE> (Year: 2017).

Notice of Allowance for U.S. Appl. No. 29/773,569; dated Feb. 2, 2022.

Office Action for U.S. Appl. No. 29/720,729, dated Feb. 4, 2022. Tier Top 2-Door TV Stand by Copper Grove, first available: Sep. 27, 2019. Overstock.com [online], [site visited Jan. 10, 2022], Internet URL: <https://www.overstock.com/Home-Garden/Copper-Grove-60-Tiered-2-Door-TV-Stand-Console-60-x-16-x-28H/28274571/product.html?opre=1&option-49501574#review-aggregation-region> (Year: 2019).

Classic 2-Door Tiered TV Console by Home Accent Furnishings, first available: Jun. 16, 2020. Amazon.com [online], [site visited Jan. 10, 2022], Internet URL: <https://www.amazon.com/60-Classic-2-Door-Tiered-Console/dp/B08B Bcxj Ps> (Year: 2020).

Office Action for U.S. Appl. No. 29/720,927; dated Feb. 4, 2022. Fireplace TV Console by Carson Carrington, first available: Apr. 10, 2020. Overstock.com [online], [site visited Jan. 10, 2022], Internet URL: <https://www.overstock.com/Home-Garden/Carson-Carrington-60-Fireplace-TV-Console-60-x-16-X-28H/28790125/product.html> (Year: 2020).

TV Stand with Fireplace by Wrought Studio, first available: Sep. 18, 2019. Wayfair.com [online], [site visited Jan. 10, 2022], Internet URL: <https://www.wayfair.com/furniture/pdp/wrought-studio-eglinton-tv-stand-for-tvs-up-to-65-with-electric-fireplace-included-w006544022.html?piid=205535335> (Year: 2019).

Office Action for U.S. Appl. No. 29/720,942; dated Feb. 4, 2022. Tier Top Fireplace by The Gray Barn, first available: Oct. 1, 2020. Overstock.com [online], [site visited Jan. 10, 2022], Internet URL: <https://www.overstock.com/Home-Garden/The-Gray-Barn-70-Tiered-Top-Open-Shelf-Fireplace-TV-Console-70-x-16-x-26H/28790042/product.html> (Year: 2020).

TV Stand with Fireplace by Millwood Pines, first available: Sep. 8, 2019. Wayfair.com [online], [site visited Jan. 10, 2022], Internet URL: <https://www.wayfair.com/furniture/pdp/millwood-pines-woodbury-tv-stand-for-tvs-up-to-78-with-electric-fireplace-included-w005270949.html?piid=713008694> (Year: 2019).

Office Action for U.S. Appl. No. 29/720,948; dated Feb. 4, 2022. Industrial 3-Door Buffet Sideboard by Walker Edison, first available: Jul. 18, 2019. Amazon.com [online], [site visited Jan. 10,

(56)

References Cited

OTHER PUBLICATIONS

2022], Internet URL: https://www.amazon.com/Walker-Edison-Furniture-Company-AZU48RAD3DSG/dp/B07VF58RD6/ref=sr_1_12 (Year: 2019).

Wide Buffet Table by Gracie Oaks, first available: Aug. 23, 2019. Wayfair.com [online], [site visited Jan. 10, 2022], Internet URL: <https://www.wayfair.com/furniture/pdp/gracie-oaks-dostie-48-wide-buffet-table-w006543360.html?piid=625134232> (Year: 2019).

Office Action for U.S. Appl. No. 29/720,734; dated Feb. 8, 2022.

Metal Accent TV Console by The Gray Barn, first available: Jul. 31, 2019. Overstock.com [online], [site visited Jan. 10, 2022], Internet URL: <https://www.overstock.com/Home-Garden/The-Gray-Barn-70-Metal-X-Accent-TV-Stand-Console-70-x-16-x-25H/28274605/product.html#review-aggregation-region> (Year: 2019).

Daisy-Jayne TV Stand by Gracie Oaks, first available: Unknown. Wayfair.com [online], [site visited Jan. 10, 2022], Internet URL: <https://www.wayfair.com/furniture/pdp/gracie-oaks-li-aoliving-room-traditional-style-tv-cabinet-entertainment-center-storage-table-2-cabinets-and-2-shelves-suitable-for-tvs-up-to-65-inchesbrown-w006674724.html> (Year: 2022) (Year: 2022).

Camargue TV Stand by Williston Forge, first available: Nov. 28, 2021. Website [online], [site visited Jan. 10, 2022], Internet URL: <https://www.wayfair.com/furniture/pdp/williston-forge-camargue-tv-stand-for-tvs-up-to-65-w005578471.html> (Year: 2020).

Enzo Entertainment Center by Foundstone, first available: Feb. 1, 2020. Wayfair.com [online], [site visited Jan. 10, 2022], Internet URL: <https://www.wayfair.com/furniture/pdp/foundstone-enzo-entertainment-center-for-tvs-up-to-78-w004433726.html> (Year: 2020). Notice of Allowance for U.S. Appl. No. 29/743,423; dated Feb. 16, 2022.

Notice of Allowance for U.S. Appl. No. 29/815,516; dated Feb. 16, 2022.

Office Action for U.S. Appl. No. 29/756,302; dated Feb. 22, 2022. VINGLI Rustic Electric Fireplace TV Stand with Barn Doors, 60 Inch TV Stand with Fireplace, Fireplace Media Console with Remote, White Oak; <https://www.amazon.ca/VINGLI-Rustic-Electric-Fireplace-Console/dp/B08PK1M5Q9>; Found online on Feb. 25, 2022; Retrieved on Feb. 28, 2022.

Vingli Electric Fireplace TV Stand 65 inch, Oak Electric Fireplace Entertainment Center; Retrieved on Feb. 2, 2022 (No url).

Notice of Allowance for U.S. Appl. No. 29/756,303; dated Feb. 24, 2022.

Notice of Allowance for U.S. Appl. No. 29/756,305; dated Feb. 28, 2022.

Farmhouse TV Credenza in Orchard Oak Finish; <https://www.sauder.com/furniture/427687/farmhouse-tv-credenza-in-orchard-oak-finish>; Retrieved Apr. 19, 2022.

Accent Storage Cabinet; <https://www.sauder.com/furniture/422473/accent-storage-cabinet>; Retrieved Apr. 19, 2022.

Credenza; <https://www.sauder.com/furniture/419119/credenza>; Retrieved Apr. 19, 2022.

Fireplace TV Credenza with Glass Doors; <https://www.sauder.com/furniture/427377/fireplace-tv-credenza-with-glass-doors>; Retrieved Apr. 19, 2022.

Sauder Barrister Lane Media Fireplace, for TVs up to 60", Salt Oak finish; https://www.amazon.com/Sauder-Barrister-Fireplace-Entertainment-Accommodates/dp/B07GC88LRN/ref=sr_1_49?dchild=1&keywords=sauder&qid=1631797685&sr=8-49; retrieved Apr. 19, 2022.

Cye-Way Inc. Ladonia TV Stand for TVs up to 65" (No URL).

Cye-Way Inc. TV Stand for TVs up to 55" with Fireplace Included (No URL).

Edgewood TV Console with Fireplace for TVs up to 60", Distressed Brown Oak; <http://www.altrafurniture.com/eng/Products/Fireplaces/Details/7766-1819096COM-Edgewood-TV-Console-wlth-Fireplace-for-TVs-up-to-60,-Distressed-Brown-Oal> (No URL).

Coridon TV Stand for TVs up to 65" by Gracie Oaks; <https://www.wayfair.com/furniture/pdp/gracie-oaks-coridon-tv-stand-for-tvs-up-to-65-w005934624.html>; Retrieved on Apr. 28, 2022.

Speer 40" Tall 2-Door Accent Cabinet; <https://www.wayfair.com/furniture/pdp/gracie-oaks-speer-2-door-accent-cabinet-w003036688.html>; Retrieved on Apr. 28, 2022.

Talamantez TV Stand for Ts up to 50" by Gracie Oaks; <https://www.wayfair.com/furniture/pdp/gracie-oaks-talamantez-tv-stand-for-tvs-up-to-50-w000082662.html>; Retrieved on Apr. 28, 2022.

Coridon 33" Tall 2-Door Accent Cabinet by Gracie Oaks; <https://www.wayfair.com/furniture/pdp/gracie-oaks-coridon-2-door-accent-cabinet-w007417683.html> Retrieved on Apr. 28, 2022.

Eberardo TV Stand for TVs up to 58" by Gracie Oaks; <https://www.wayfair.com/furniture/pdp/gracie-oaks-eberardo-tv-stand-for-tvs-up-to-58-w002730362.html>; Retrieved on Apr. 28, 2022.

Canyonlands TV Stand for TVs up to 60" with Fireplace Included by Gracie Oaks; <https://www.wayfair.com/furniture/pdp/gracie-oaks-canyonlands-tv-stand-for-tvs-up-to-60-with-electric-fireplace-included-w003423049.html>; Retrieved on Apr. 28, 2022.

Oriane 55" Wide 2 Drawer Sideboard by Gracie Oaks by Gracie Oaks; <https://www.wayfair.com/furniture/pdp/gracie-oaks-orianne-55-wide-2-drawer-sideboard-w003261524.html>; Retrieved on Apr. 28, 2022.

Terence TV Stand for TVs up to 48" by Gracie Oaks; <https://www.wayfair.com/furniture/pdp/gracie-oaks-terence-tv-stand-for-tvs-up-to-78-w005000943.html>; Retrieved on Apr. 28, 2022.

Wayne Wood 9 Pair Shoe Storage Cabinet by Gracie Oaks; <https://www.wayfair.com/storage-organization/pdp/gracie-oaks-wayne-wood-9-pair-shoe-storage-cabinet-w003600913.html>; Retrieved on Apr. 28, 2022.

Theobald 25" Tall End Table by Gracie Oaks; <https://www.wayfair.com/furniture/pdp/gracie-oaks-theobald-end-table-with-storage-w005274882.html>; Retrieved on Apr. 28, 2022.

Soza TV Stand for TVs up to 65" with Fireplace Included by Gracie Oaks; <https://www.wayfair.com/furniture/pdp/gracie-oaks-soza-tv-stand-for-tvs-up-to-65-with-electric-fireplace-included-w003573842.html>; Retrieved on Apr. 28, 2022.

Seabeck TV Stand for TVs up to 55" with Fireplace Included by Gracie Oaks; <https://www.wayfair.com/furniture/pdp/gracie-oaks-seabeck-w004878945.html>; Retrieved on Apr. 28, 2022.

Hadria TV Stand for TVs up to 65" by Gracie Oaks; <https://www.wayfair.com/furniture/pdp/gracie-oaks-hadria-tv-stand-for-tvs-up-to-65-w004292348.html>; Retrieved on Apr. 28, 2022.

Garden City TV Stand for TVs up to 65" by Gracie Oaks; <https://www.wayfair.com/furniture/pdp/gracie-oaks-garden-city-tv-stand-for-tvs-up-to-65-w002818215.html>; Retrieved on Apr. 28, 2022.

Dougan TV Stand for TVs up to 65" with Fireplace Included by Gracie Oaks; <https://www.wayfair.com/furniture/pdp/gracie-oaks-dougan-tv-stand-for-tvs-up-to-65-with-electric-fireplace-included-w000061918.html>; Retrieved on Apr. 28, 2022.

Soynov TV Stand for TVs up to 65" with Fireplace Included by Gracie Oaks; <https://www.wayfair.com/furniture/pdp/gracie-oaks-soynov-tv-stand-for-tvs-up-to-65-with-electric-fireplace-included-w003572931.html>; Retrieved on Apr. 28, 2022.

Mastrangelo TV Stand for TVs up to 65" with Fireplace Included by Gracie Oaks; <https://www.wayfair.com/furniture/pdp/gracie-oaks-mastrangelo-tv-stand-for-tvs-up-to-65-with-fireplace-included-w003239856.html>; Retrieved on Apr. 28, 2022.

Laurena TV Stand for TVs up to 65" by Gracie Oaks; <https://www.wayfair.com/furniture/pdp/gracie-oaks-laurena-tv-stand-for-tvs-up-to-65-w004552097.html>; Retrieved on Apr. 29, 2022.

Goldsboro TV Stand for TVs up to 50" with Fireplace Included by Gracie Oaks <https://www.wayfair.com/furniture/pdp/gracie-oaks-goldsboro-tv-stand-for-tvs-up-to-50-with-electric-fireplace-included-w004365440.html>; Retrieved on Apr. 29, 2022.

2 Door Apothecary Accent Cabinet by Gracie Oaks; <https://www.shopstyle.com/g/living/gracie-oaks/2-door-apothecary-accent-cabinet-color-gray/866040563>; Retrieved on Apr. 29, 2022.

Rosenbloom TV Stand for TVs up to 65" by Laurel Foundry Modern Farmhouse; <https://www.wayfair.com/furniture/pdp/gracie-oaks-arti-tv-stand-for-tvs-up-to-65-w004646275.html> Retrieved on Apr. 29, 2022.

Clematite TV Stand for TVs up to 65" by Gracie Oaks; <https://www.wayfair.com/furniture/pdp/gracie-oaks-clematite-tv-stand-for-tvs-up-to-65-w003025551.html>; Retrieved on Apr. 29, 2022.

(56)

References Cited

OTHER PUBLICATIONS

Theis 29.9" Wide Hall Tree with Shoe Storage by Gracie Oaks; <https://www.wayfair.com/furniture/pdp/gracie-oaks-theis-hall-tree-w006116080.html>; Retrieved on Apr. 29, 2022.

Zayyan TV Stand for TVs up to 65" with Fireplace Included by Gracie Oaks <https://www.wayfair.com/furniture/pdp/gracie-oaks-zayyan-tv-stand-for-tvs-up-to-65-with-electric-fireplace-included-w003158283.html>; Retrieved on Apr. 29, 2022.

Rosenblatt TV Stand for TVs up to 88" with Fireplace Included by Laurel Foundry Modern Farmhouse; <https://www.wayfair.com/furniture/pdp/rosenblatt-tv-stand-for-tvs-up-to-88-with-electric-fireplace-included-w000339756.html>; Retrieved on Apr. 29, 2022.

Khouribga TV Stand for TVs up to 58" by Gracie Oaks; <https://www.wayfair.com/furniture/pdp/gracie-oaks-khouribga-tv-stand-for-tvs-up-to-58-w004406142.html>; Retrieved on Apr. 29, 2022.

Chouhan 30" Console Table by Gracie Oaks; <https://www.wayfair.com/furniture/pdp/gracie-oaks-chouhan-30-console-table-w003438515.html>; Retrieved on Apr. 29, 2022.

Alayziah 52" Wide Buffet Table by Gracie Oaks; <https://www.wayfair.com/furniture/pdp/gracie-oaks-alayziah-52-wide-buffet-table-w003233776.html>; Retrieved on Apr. 29, 2022.

Kulap 51.87" Wide Buffet Table by Gracie Oaks; <https://www.wayfair.com/furniture/pdp/gracie-oaks-kulap-5187-wide-buffet-table-w005160419.html>; Retrieved on Apr. 29, 2022.

Belleze Modern 58 Inch Farmhouse TV Stand & Media Entertainment Center Console Table for TVs up to 65 Inch with Two Shelves and Storage Cabinets—Hilo (Sargent Oak); https://www.amazon.com/dp/B085SZGDBC/ref=sspa_dk_detail_0?pd_rd_i=B085SZGDBC&pd_rd_w=fnZlz&pf_rd_p=48d372c1-f7e1-4b8b-9d02-4bd86f5158c5&pd_rd_wg=yFmhh&pf_rd_r=GSVBZ5XVRK4VHOYGGGEYF&pd_rd_r=da233890-cbb8-4a32-8964-f4ed978b9d32&spLa=ZW5jcnlwdGVkUXVhbGlmaWVyPUFES05GM1kwOUoyVUsmZW5jenlwdGVkSWQ9QTA5NTkyMjMyV1NIMEE3TTFITz3JmVuY3J5cHRIZEFkSWQ9QTA5MDM2MzQzMUHVTFVQNTBjNFZSIndpZGdlde5hbWU9c3BfbXRmJmFjdGljbGlja1JIZGIyZWVhbnRvTm90TG9nQ2xpY2s9dHJ1ZQ&th=1; Retrieved Apr. 19, 2022.

Belleze Modern 52 Inch Farmhouse Highboy TV Stand & Media Entertainment Center Console Table for TVs up to 60 Inch with Sliding Barn Door and Storage Cabinets—Parker (Sargent Oak); https://www.amazon.com/BELLEZE-Sliding-Console-Entertainment-Sargent/dp/B085T6CS65/ref=sr_1_117_sspa?dchild=1&keywords=BELLEZE&qid=1586370992&sr=8-117-spons&psc=1&spLa=ZW5jcnlwdGVkUXVhbGlmaWVyPUFEPQIFJRENARURZQ1MmZW5jenlwdGVkSWQ9QTAwNTk1MDAxSDhMUEszVIIOMOOxJmVuY3J5cHRIZEFkSWQ9QTA1NDAYNjcxRVNGU09BMzlsVURHJndpZGdlde5hbWU9c3BfbXRmJmFjdGljbGlja1JIZGIyZWVhbnRvTm90TG9nQ2xpY2s9dHJ1ZQ; Retrieved Apr. 19, 2022.

Belleze Modern 50 Inch Farmhouse Electronic Fireplace TV Stand & Media Entertainment Center Console Table for TVs up to 55 Inch with Open Storage Shelves & Cabinets—Kenton (Sargent Oak) https://www.amazon.com/BELLEZE-Traditional-Console-Electric-Fireplace/dp/B081QY7D89/ref=sr_1_49?dchild=1&keywords=BELLEZE&qid=1586369491&sr=8-49&th=1; Retrieved Apr. 19, 2022.

Belleze Preston 57 Inch TV Stand Storage Cabinet Shelves Media Console, Rustic Oak; <https://www.walmart.com/ip/BELLEZE-Preston-57-Inch-TV-Stand-Storage-Cabinet-Shelves-Media-Console/570873266>; Retrieved Apr. 19, 2022.

Belleze Fireplace TV Stand Media Entertainment Center—Cayman (Brown) <https://www.walmart.com/ip/BELLEZE-60-Entertainment-Center-TV-Stand-Console-With-Shelves-For-TVs-up-to-65-Wide-W-Fireplace/389600040>; Retrieved Apr. 19, 2022.

Belleze Modern 58 Inch Farmhouse TV Stand & Media Entertainment Center Console Table for TVs up to 65 Inch with Sliding Barn Door and Storage Cabinets—Truman (Espresso); https://www.amazon.com/BELLEZE-Sliding-Console-Entertainment-Sargent/dp/B08D3DQMRS/ref=sr_1_117_sspa?dchild=1&keywords=BELLEZE&qid=1586370992&sr=8-117-spons&spLa=ZW5jcnlwdGVkUXVhbGlmaWVyPUFEPQIFJRENARURZQ1MmZW5jenlwdGVkSWQ9

QTAwNTk1MDAxSDhMUEszVIIOMOOxJmVuY3J5cHRIZEFkSWQ9QTA1NDAYNjcxRVNGU09BMzlsVURHJndpZGdlde5hbWU9c3BfbXRmJmFjdGljbGlja1JIZGIyZWVhbnRvTm90TG9nQ2xpY2s9dHJ1ZQ&th=1; Retrieved Apr. 19, 2022.

Prepac Sonoma 72 inch TV Stand, Espresso; https://www.walmart.com/ip/Sonoma-72-inch-TV-Stand-Espresso/945247253?wmlspartner=wlp&selectedSellerId=0&adid=2222222227&wl0=&wl1=g&wl2=c&wl3=341753167656&wl4=pla-293946777986&wl5=9029714&wl6=&wl7=&wl8=&wl9=pla&wl10=8175035&wl11=online&wl12=945247253&veh=sem&gclid=CjwKCAjwkPXOBRBKEiWA7THxiOgc_QK1wR1QW9YqoSdx_uf4dQ2sBw9n8brCJ-Sfp7AwN2vV-nUwXR0CSV8QAvD_BwE.

AV 48 in. Black Composite TV Stand Fits TVs Up to 48 in. with Cable Management; <https://www.homedepot.com/p/Prepac-AV-48-in-Black-Composite-TV-Stand-Fits-TVs-Up-to-48-in-with-Cable-Management-BPV-4701/203055128>; Retrieved Apr. 19, 2022.

AV 48 in. Black Composite TV Stand First TVs Up to 48 in. with Cable Management; <https://www.homedepot.com/p/Prepac-AV-48-in-Black-Composite-TV-Stand-Fits-TVs-Up-to-48-in-with-Cable-Management-BCV-4722/203055129>; Retrieved Apr. 19, 2022.

Assembly Instructions for Z-Line Designs Zen 50" W Plasma/Flat Panel TV Mount Stand Model CC785BO-50S.

Office Action for U.S. Appl. No. 29/743,246, dated May 2, 2022. Notice of Allowance for U.S. Appl. No. 29/815,518, dated May 4, 2022.

Office Action for U.S. Appl. No. 29/720,729; dated May 24, 2022. Final Office Action for U.S. Appl. No. 29/720,927; dated May 24, 2022.

Office Action for U.S. Appl. No. 29/720,942; dated May 24, 2022. Office Action for U.S. Appl. No. 29/768,116; dated May 24, 2022.

Caramel and Black TV Stand by Walker Edison Furniture Co, first available: Sep. 1, 2021. Bellacor.com [online], [site visited May 18, 2022], Internet URL <https://www.bellacor.com/productdetail/walker-edison-furniture-co-w70fln3dcabl-caramel-and-black-tv-stand-2343976.html> (Year: 2021).

Heitzman Solid Wood TV Stand by Mercury Row, first available: Jul. 1, 2021. Wayfair.com [online], [site visited May 18, 2022], Internet URL: <https://www.wayfair.com/furniture/pdp/mercury-row-heitzman-solid-wood-tv-stand-for-tvs-up-to-85-w005039715.html?piid=331763805> (Year: 2021).

Flint TV Stand by Walker Edison, first available: Unknown. Walkeredison.com [online], [site visited May 18, 2022], Internet URL: <https://walkeredison.com/collections/wood-consoles/products/modern-boho-3-grooved-door-wood-tv-stand-for-tvs-up-to-80?variant=39311011479618> (Year: 2022).

Notice of Allowance for U.S. Appl. No. 29/720,948; dated May 31, 2022.

Restriction Requirement for U.S. Appl. No. 29/767,917, dated Jun. 2, 2022.

Mid Century Chevron Solid Pine Accent Cabinet by Sacacina Home, first available: Unknown. Target.com [online], [site visited May 16, 2022], Internet URL: <https://www.target.com/p/mid-century-chevron-solid-pine-wood-accent-cabinet-caramel-saracina-home/-/A-82820883> (Year: 2022).

Eloise Wood Detail Accent Cabinet by Walker Edison, first available: Unknown. Walkeredison.com [online], [site visited May 16, 2022], Internet URL: <https://walkeredison.com/collections/accent-tables/products/eloise-wood-detail-accent-cabinet?variant=39272893415490> (Year: 2022).

Grimsley 33" Tall Solid Wood 2 by Mercury Row, first available: Apr. 10, 2021. Wayfair.com [online], [site visited May 16, 2022], Internet URL: <https://www.wayfair.com/furniture/pdp/mercury-row-grimsley-33-tall-solid-wood-2-door-accent-cabinet-w004897558.html> (Year: 2021).

Office Action for U.S. Appl. No. 29/756,302, dated Jun. 3, 2022. Notice of Allowance for U.S. Appl. No. 29/720,734, dated Jun. 8, 2022.

Notice of Allowance for U.S. Appl. No. 29/743,246, dated Jun. 9, 2022.

TV Stand with Barn Doors; <https://www.vasagleb2b.com/product/living-room/tv-stands/tv-stand-with-door.html>; retrieved on Jun. 24, 2022.

(56)

References Cited

OTHER PUBLICATIONS

58 in. Saw Cut-Off White TV Stand for TVs up to 65 in. with Electric Fireplace; <https://www.ebay.com/itm/144363603712?hash=item219cbdc700:g:jplAAOSwidVh2sgu>; retrieved on Jun. 24, 2022.

LuxenHome Farmhouse White and Walnut Engineered Wood Cabinet; <https://www.cymax.com/LuxenHome-Farmhouse-White-and-Walnut-Engineered-Wood-Cabinet-WHIF1383.htm>; retrieved on Jun. 24, 2022.

LuxenHome Weathered Brown Wood Storage Single Barn Door Wall Cabinet; <https://www.cymax.com/LuxenHome-Weathered-Wood-Storage-Single-Barn-Door-Wall-Cabinet-WHIF1496.htm>; Retrieved on Jun. 24, 2022.

LuxenHome Natural Oak Finish Wine Bar Cabinet with 2 Drawers, Wood Storage Sideboard with Slide Door, Corner Coffee Table with 2-Layer Storage Shelf for Dining Room Kitchen, 32 inch, Oak Color https://www.amazon.com/LuxenH%C3%B6me-Natural-Cabinet-Drawers-Sideboard/dp/B097TTJMMT?ref=ast_stodp&th=1; retrieved on Jun. 24, 2022.

LuxenHome Farmhouse Rustic Engineered Wood Tall Cabinet; <https://www.cymax.com/LuxenHome-Farmhouse-Rustic-Engineered-Wood-Tall-Cabinet-WHIF1381.htm#&gid=1&pid=1>; retrieved on Jun. 24, 2022.

LuxenHome Rustic Wood Storage Cabinet with Sliding Barn Door, Storage Organizer with 2 Drawer, Vintage End Table Console Cabinet for Kitchen Living Room Bedroom, 24 inch, Wood Grain https://www.amazon.com/LuxenH%C3%B6me-Storage-Cabinet-Sliding-Organizer/dp/B09DMZPP4J?ref=ast_sto_dp; retrieved on Jun. 24, 2022.

LuxenHome Black and Oak Engineered Wood Storage Wine Cabinet <https://www.homesquare.com/LuxenHome-Black-and-Oak-Engineered-Wood-Storage-Wine-Cabinet-WHIF1510.htm>; retrieved on Jun. 24, 2022.

LuxenHome Sliding Door White Wood Wall Cabinet, Farmhouse Wall Storage with Plastic Rattan Mesh Door, Kitchen Wall Cabinet with Shelves Inside, 20 Inch, Off-White https://www.amazon.com/LuxenH%C3%B6me-Sliding-Cabinet-Farmhouse-Off-White/dp/B09DTG6RRP?ref=ast_sto_dp&th=1; retrieved on Jun. 24, 2022.

Luxen Home Farmhouse Antique White Wood Storage Cabinet <https://www.ubuy.co.id/en/product/1A3N7MWH6-luxen-home-wood-farmhouse-storage-cabinet-white#gallery-1>; retrieved on Jun. 24, 2022.

LuxenHome Rustic Sliding One Door Wood Cabinet Distressed Farmhouse Cabinet with 4 Drawer, Drawer Chest with Inside Shelves, Nightstand for Living Room, Bedroom, 32 Inch https://www.amazon.com/LuxenH%C3%B6me-Rustic-Sliding-Door-Cabinet/dp/B08D6ZBDXD?ref=ast_sto_dp; retrieved on Jun. 24, 2022.

LuxenHome Rustic Sliding Door Wood Cabinet; https://www.amazon.com/LuxenH%C3%B6me-Rustic-Sliding-Door-Cabinet/dp/B09F5M9LQX?ref=ast_sto_dp; retrieved on Jun. 24, 2022.

LuxenHome Black and Oak Manufactured Wood 2-Door Buffet Sideboard Cabinet <https://www.homesquare.com/LuxenHome-Black-and-Oak-Engineered-Wood-Buffet-Sideboard-Storage-Cabinet-WHIF1511.htm>; retrieved on Jun. 24, 2022.

Dajuana TV Stand for TVs up to 65" with Fireplace Included; <https://www.wayfair.com/furniture/pdp/gracie-oaks-60-electric-fireplace-tv-stand-for-tvs-up-to-65-entertainment-center-media-storage-television-console-with-remote-control-for-living-room-gray-w006680975.html?piid=831677979>; Jun. 24, 2022.

Hazelip TV Stand for TVs up to 65" with Fireplace Included <https://www.wayfair.com/furniture/pdp/hazelip-tv-stand-for-tvs-up-to-65-with-electric-fireplace-included-w004168317.html>; retrieved on Jun. 24, 2022.

Hallway Storage Cabinet With Sliding Door & Drawer, FSB59-N; <https://haotiangr.com/collections/kitchen-and-dinner-room/products/copy-of-haotian-fsb59-n-storage-cabinet-sideboard-with-sliding-door-kitchen-living-room-storage-cabinet-cupboard-hallway-shoe-cabinet?variant=39735832379490>; retrieved on Jun. 28, 2022.

Hallway Sideboard with 2 Sliding Doors, FSB60-N; <https://haotiangr.com/products/copy-of-haotian-kitchen-dining-room-living-room->

[storage-cabinet-cupboard-sideboard-grey-fsb25-hg?variant=39735832346722">storage-cabinet-cupboard-sideboard-grey-fsb25-hg?variant=39735832346722](#); retrieve on Jun. 28, 2022.

Office Action for U.S. Appl. No. 29/785,154; dated Jul. 15, 2022. Little Italy TV Stand by Trent Austin Design, first available: Jul. 14, 2019. Wayfair.com [online], [site visited Jul. 7, 2022], Internet URL: <https://www.wayfair.com/furniture/pdp/trent-austin-design-little-italy-tv-stand-for-tvs-up-to-58-w008054711.html?piid=824835749> (Year: 2019).

Office Action for U.S. Appl. No. 29/794,743; dated Jul. 15, 2022. Farmhouse Glass and Wood TV Stand by Walker Edison, first available: Jun. 3, 2020. Amazon.com [online], [site visited Jul. 8, 2020], Internet URL: <https://www.amazon.com/Walker-Edison-Farmhouse-Universal-Entertainment/dp/B07TGFTWQR?th=1> (Year: 2020).

Office Action for U.S. Appl. No. 29/794,737; dated Jul. 15, 2022. Avenue Contemporary TV Stand by Delacora, first available: Feb. 26, 2019. Amazon.com [online], [site visited Jul. 7, 2019], Internet URL: <https://www.amazon.com/Delacora-BD52AV2DWH-WE-BD52AV2D-Avenue-Cabinet/dp/B0888DP7QZ?th=1> (Year: 2019). Modern Glass and Wood Universal TV Stand by Walker Edison, first available: Feb. 12, 2018. Amazon.com [online], [site visited Jul. 7, 2022], Internet URL: https://www.amazon.com/dp/B071KWNS3X/ref=twister_B095F8LVD2?th=1 (Year: 2018).

Office Action for U.S. Appl. No. 29/794,351; dated Jul. 18, 2022. Tucker Barn Door Fireplace TV Stand by Home Accent Furnishings, first available: Jun. 1, 2018. Amazon.com [online], [site visited Jul. 11, 2022], Internet URL: <https://www.amazon.com/Home-Accent-Furnishings-Fireplace-Television/dp/B07DGP6T17> (Year: 2018).

Office Action for U.S. Appl. No. 29/794,596; dated Jul. 29, 2022. Absalon Corner TV Stand by Millwood Pines, first available: Dec. 10, 2019. Wayfair.com [online], [site visited Jul. 11, 2022], Internet URL: <https://www.wayfair.com/furniture/pdp/millwood-pines-absalon-corner-tv-stand-for-tvs-up-to-55-w004759506.html?piid=1245037994> (Year: 2019).

Vivian Mid-Century Modern Wine Buffet—Buylateral; <https://www.target.com/p/vivian-mid-century-modern-wine-buffet-buylateral/-/A-87008255?preselect=86325669#Ink=sametab>; Retrieved on Aug. 3, 2022.

Amerlife 3 Piece Living Room Table Set—Includes Coffee Table, End Table & Entry Table for Modern Farmhouse/Industrial Style—Rustic Oak; <https://www.amazon.com/dp/B09PH5J1QG>; Retrieved on Aug. 3, 2022.

Costway 58" Corner TV Stand 4 Cubby Entertainment Media Console w/ 2 Shelves; <https://www.target.com/p/costway-58-corner-tv-stand-4-cubby-entertainment-media-console-w-2-shelves/-/A-84038415#Ink=sametab>; Retrieved on Aug. 3, 2022.

Kopf TV Stand for TVs up to 70"; <https://www.wayfair.com/furniture/pdp/three-posts-kopf-tv-stand-for-tvs-up-to-70-w007147538.html>; Retrieved on Aug. 3, 2022.

Tavin TV Stand for TVs up to 78"; <https://www.wayfair.com/furniture/pdp/steelside-tavin-tv-stand-for-tvs-up-to-78-w004589072.html>; Retrieved on Aug. 3, 2022.

Kopec TV Stand for TVs up to 65"; <https://www.wayfair.com/furniture/pdp/three-posts-kopec-tv-stand-for-tvs-up-to-65-w007149894.html?piid=1943323452>; Retrieved on Aug. 3, 2022.

Notice of Allowance for U.S. Appl. No. 29/720,942, dated Aug. 3, 2022.

Javier TV Stand for TVs up to 55"; <https://www.wayfair.ca/furniture/pdp/brayden-studio-javier-tv-stand-for-tvs-up-to-55-brsu1013.html>; retrieved on Aug. 8, 2022.

Office Action for U.S. Appl. No. 29/720,729; dated Aug. 11, 2022.

Office Action for U.S. Appl. No. 29/767,917; dated Aug. 25, 2022.

Office Action for U.S. Appl. No. 29/794,592; dated Aug. 25, 2022.

Vintage Modern Luxury Furniture Sideboard by Fujian Kegao Furniture Co, first available: Jun. 4, 2021. Website [online], [site visited Aug. 15, 2022], Internet URL: https://www.alibaba.com/product-detail/Vintage-Modern-Luxury-Furniture-OAK-Wood_1600101109396.html (Year: 2021).

Office Action for U.S. Appl. No. 29/797,119; dated Aug. 25, 2022. Brumit 59" Wide 4 Drawer Sideboard by Mercury Row, first available: Aug. 25, 2020. Wayfair.com [online], [site visited Aug. 8,

(56)

References Cited

OTHER PUBLICATIONS

2022], Internet URL: <https://www.wayfair.com/Mercury-Row%C2%AE--Brumit-59-Wide-4-Drawer-Sideboard-X114445641-L161-K-W003334530.html> (Year: 2020).

Sliding Slat Door Sideboard by Middlebrook Designs, first available: Aug. 8, 2020. Overstock.com [online], [site visited Aug. 12, 2022], Internet URL: <https://www.overstock.com/Home-Garden/Middlebrook-Designs-Sliding-Slat-Door-Sideboard/31644839/product.html#reviewRegion> (Year: 2020).

Office Action for U.S. Appl. No. 29/818,157; dated Aug. 25, 2022. 71" Venna Industrial Farmhouse X Leg Trestle Dining Table by Saracina Home, first available: Jul. 30, 2021. Target.com [online], [site visited 00/00/0000], Internet URL: <https://www.target.com/p/71-34-venna-industrial-farmhouse-x-leg-trestle-dining-table-rustic-oak-saracina-home/-/A-82831104> (Year: 2021).

Notice of Allowance for U.S. Appl. No. 29/768,116; dated Aug. 31, 2022.

Notice of Allowance for U.S. Appl. No. 29/720,927; dated Sep. 14, 2022.

58" TV Stand for TVs up to 65" with Electric Fireplace Oak—Home Essentials; <https://www.target.com/p/58-34-tv-stand-for-tvs-up-to-65-34-with-electric-fireplace-oak-home-essentials/-/A-81967912#Ink=sametab>; retrieved on Sep. 20, 2022.

Amerlife Fireplace TV Stand Sliding Barn Door Wood Entertainment Center with a 23" Electric Fireplace Insert, Modern Farmhouse Storage Cabinet Console for TVs Up to 65", Distressed White & Barnwood; <https://www.walmart.com/ip/Amerlife-Fireplace-TV-Stand-Sliding-Barn-Door-Wood-Entertainment-Center-23-Electric-Insert-Modern-Farmhouse-Storage-Cabinet-Console- TVs-Up-65-Distres/983471069>; retrieved on Oct. 12, 2022.

Fireside 48 in. Wooden Electric Fireplace TV Stand in Rustic Brown, with Sliding Barn Door, Entertainment Center; <https://www.homedepot.com/p/TURBRO-Fireside-48-in-Wooden-Electric-Fireplace-TV-Stand-in-Rustic-Brown-with-Sliding-Barn-Door-Entertainment-Center-FS48/315692701>; retrieved on Oct. 12, 2022.

Notice of Allowance for U.S. Appl. No. 29/756,302; dated Oct. 13, 2022.

Notice of Allowance for U.S. Appl. No. 29/767,917; dated Oct. 13, 2022.

U.S. Appl. No. 29/806,955, filed Sep. 8, 2021, Duhadway.

U.S. Appl. No. 29/806,959, filed Sep. 27, 2021, Naylor.

U.S. Appl. No. 29/805,787, filed Sep. 13, 2021, Naylor.

Notice of Allowance for U.S. Appl. No. 29/720,729; dated Nov. 7, 2022.

Notice of Allowance for U.S. Appl. No. 29/768,116; dated Nov. 16, 2022.

* cited by examiner

FIG. 1

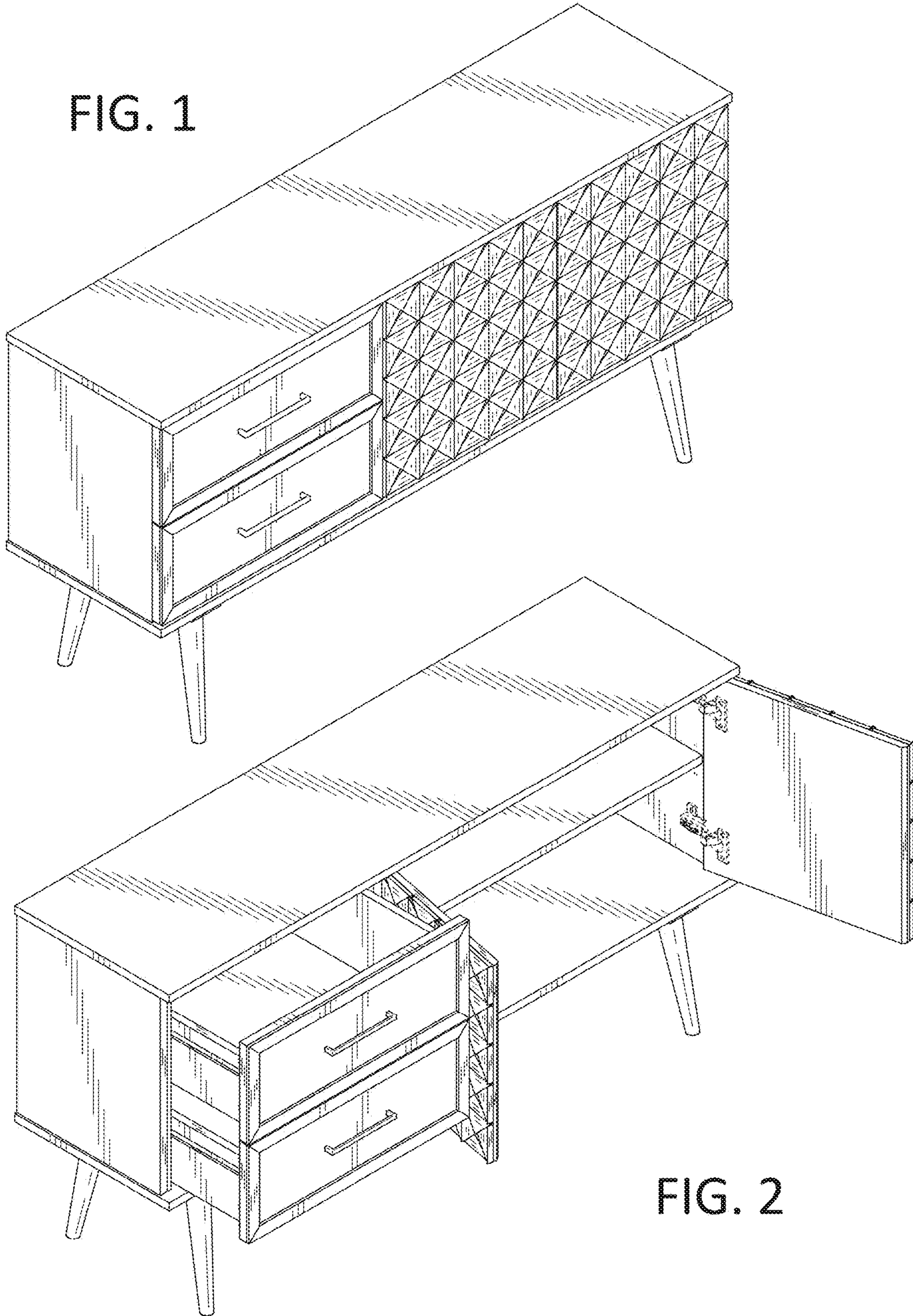


FIG. 2

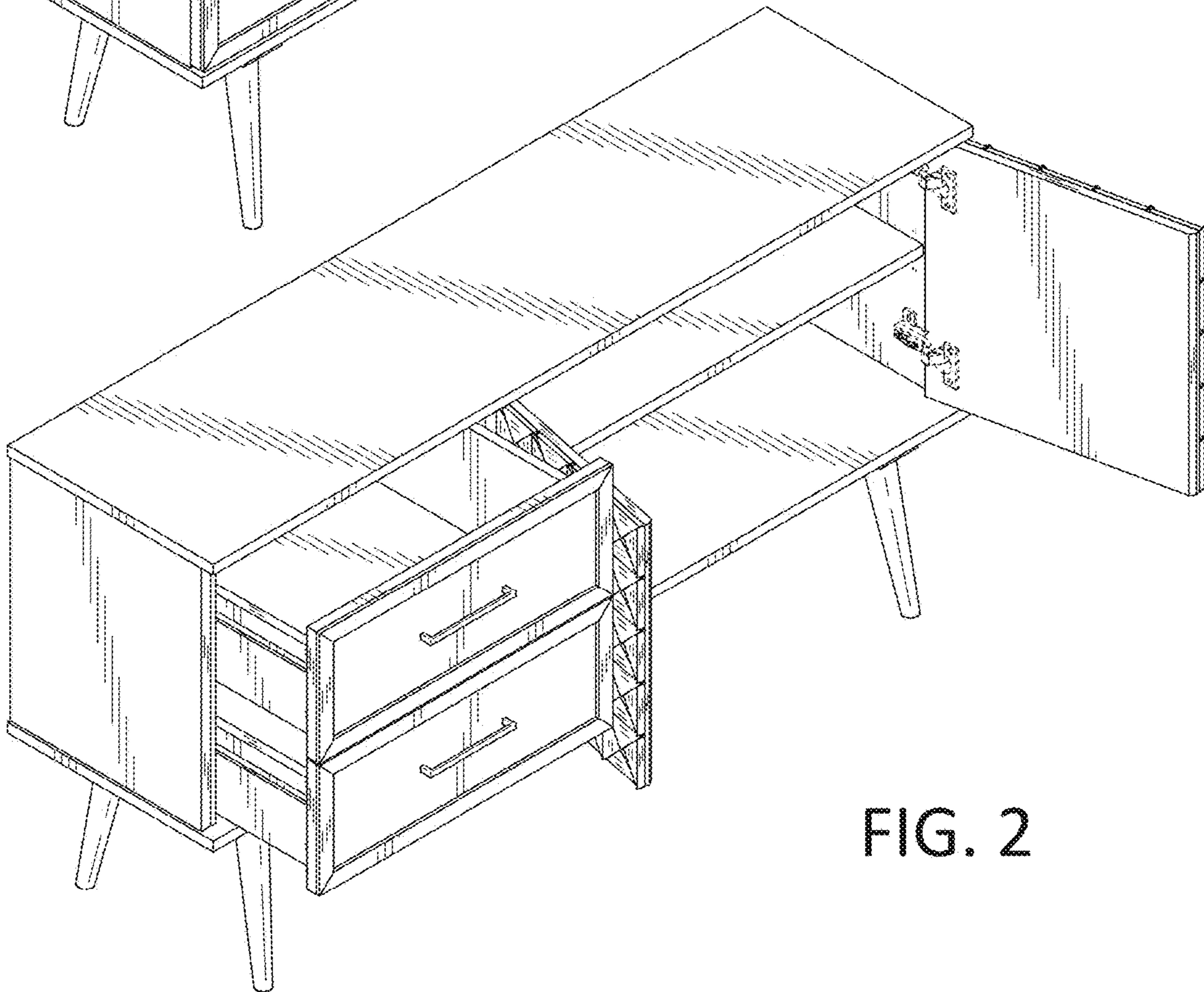


FIG. 3

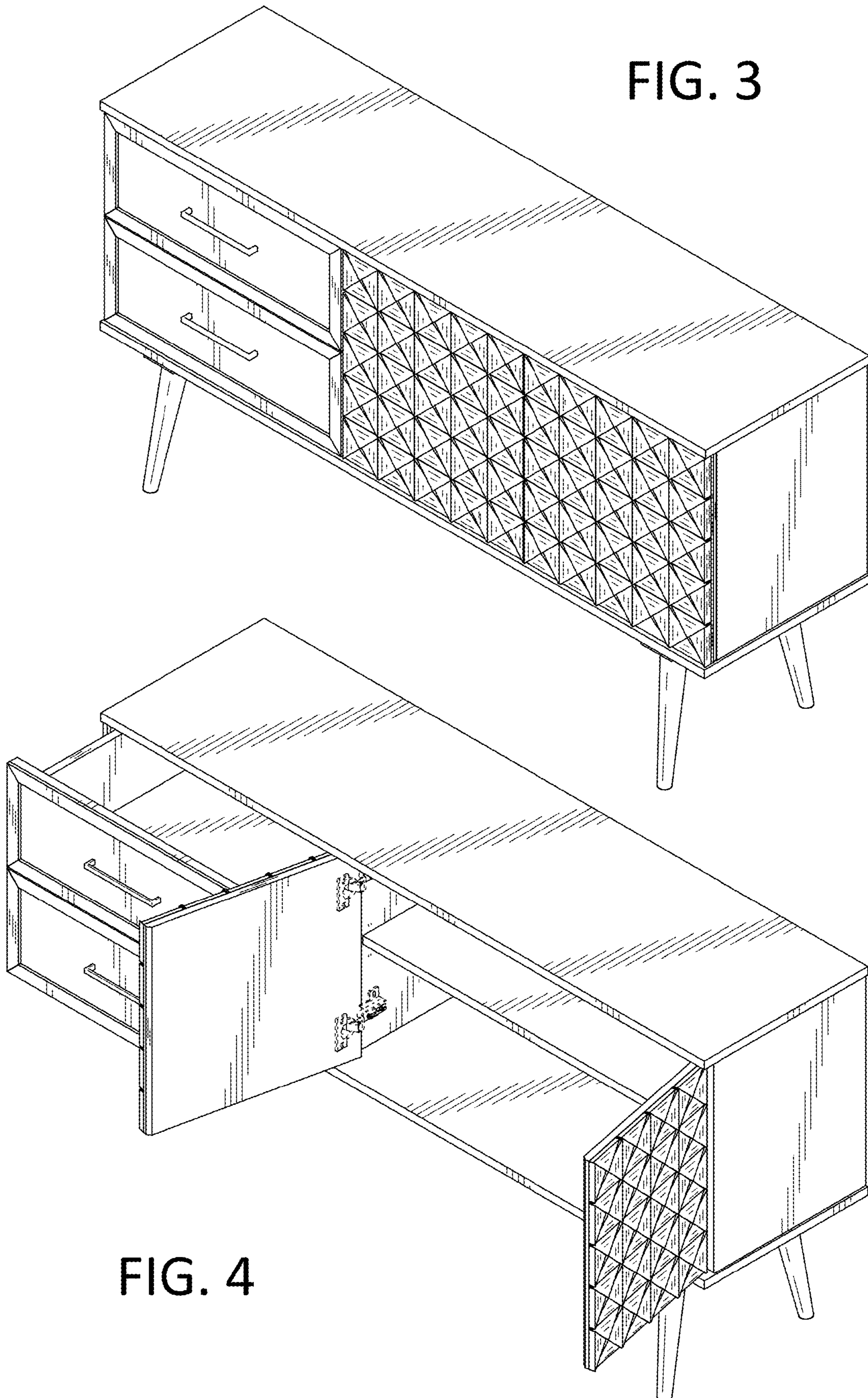
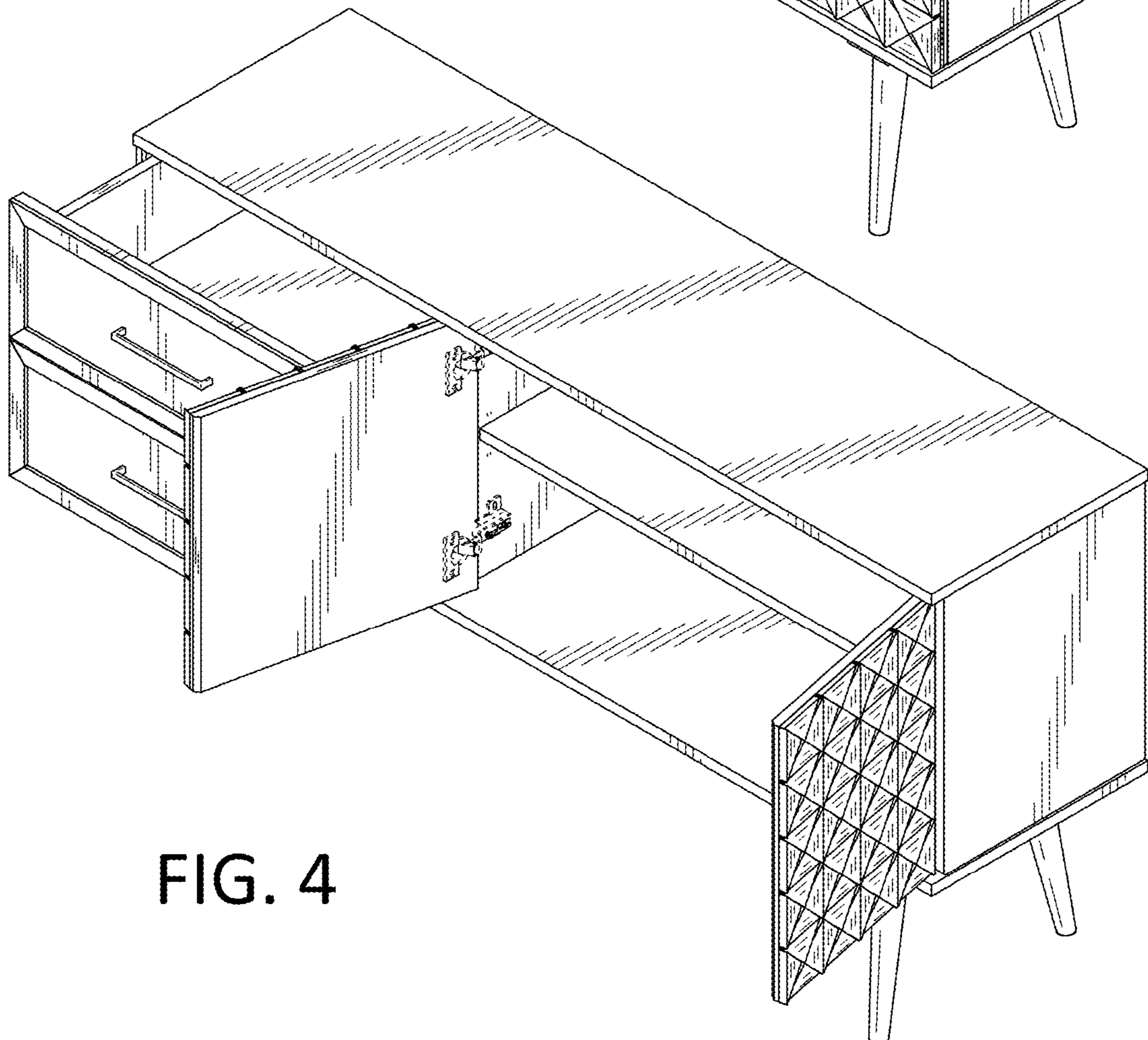


FIG. 4



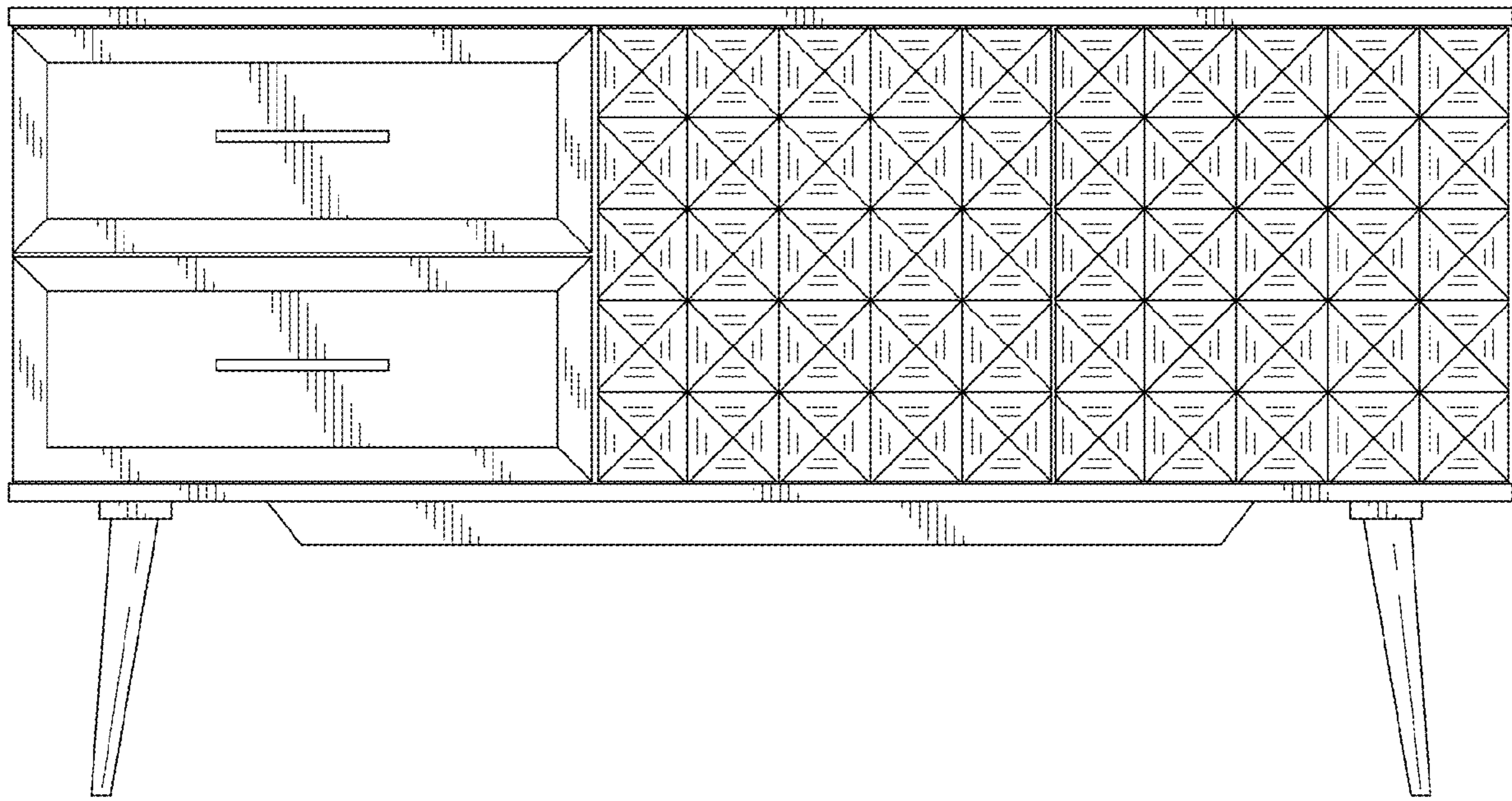


FIG. 5

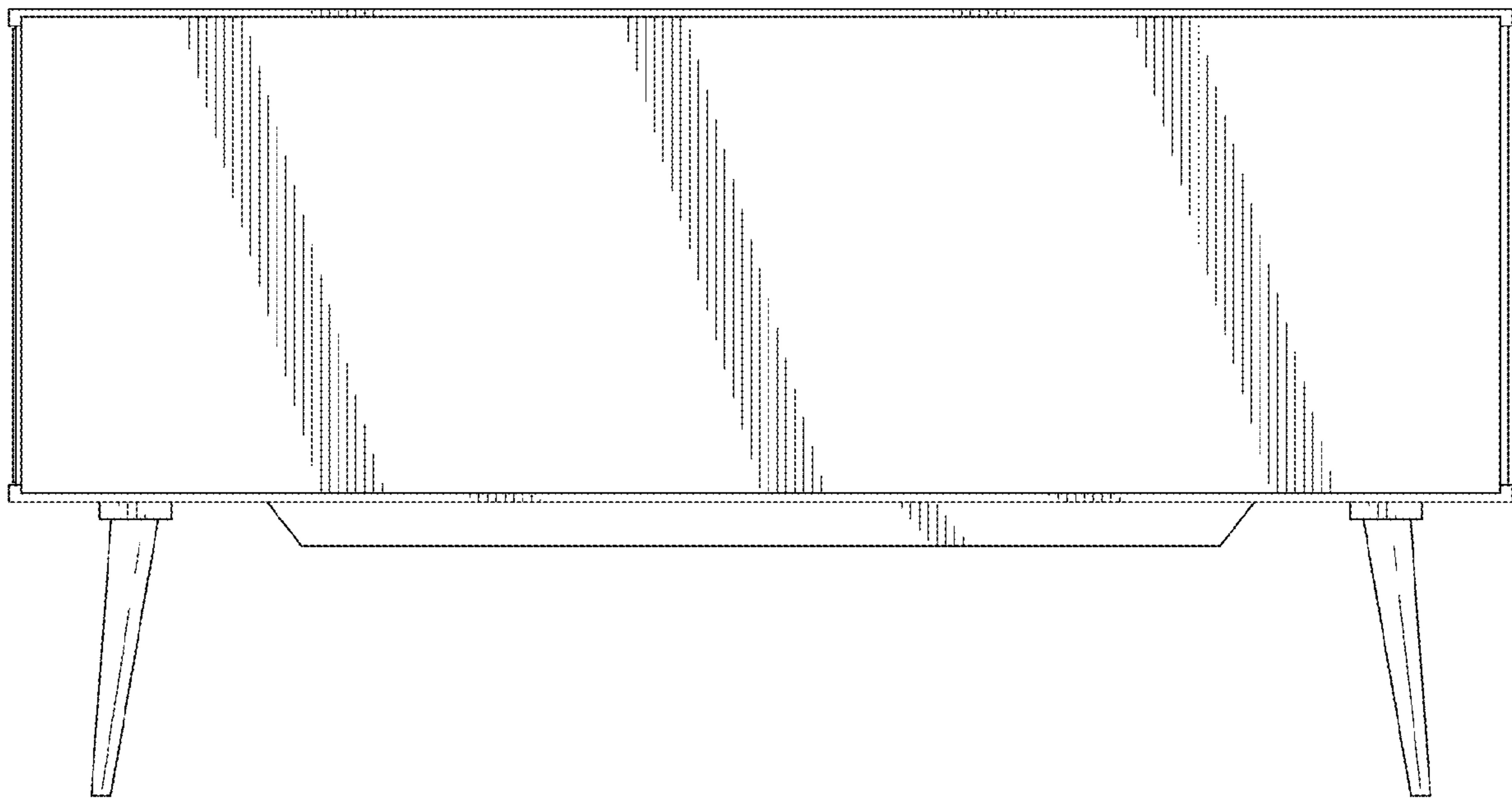


FIG. 6

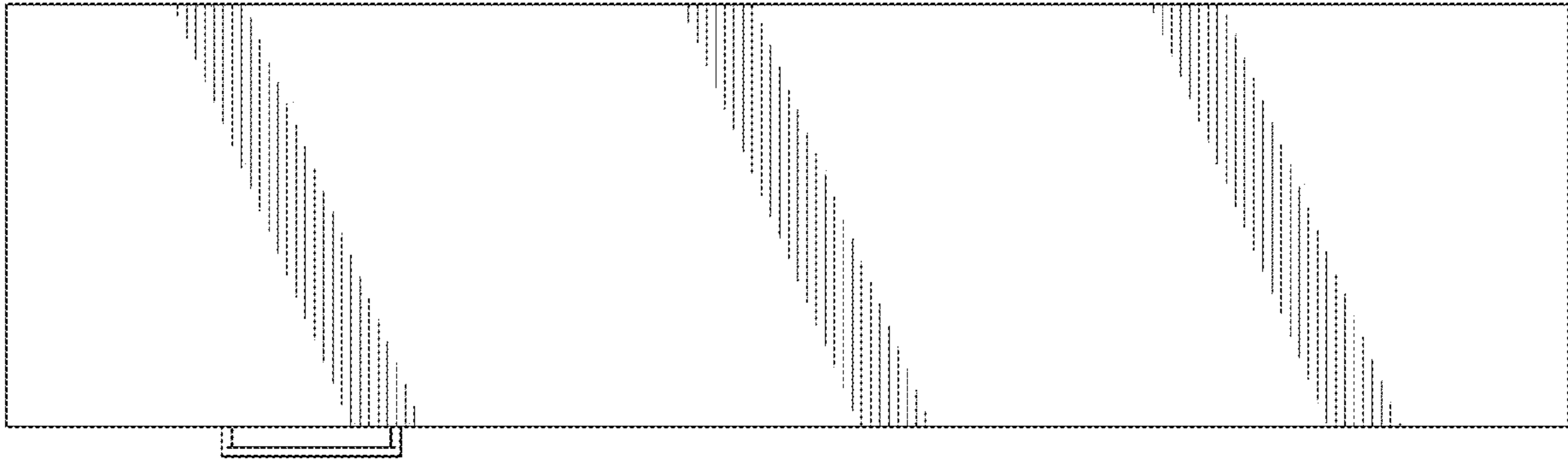


FIG. 7

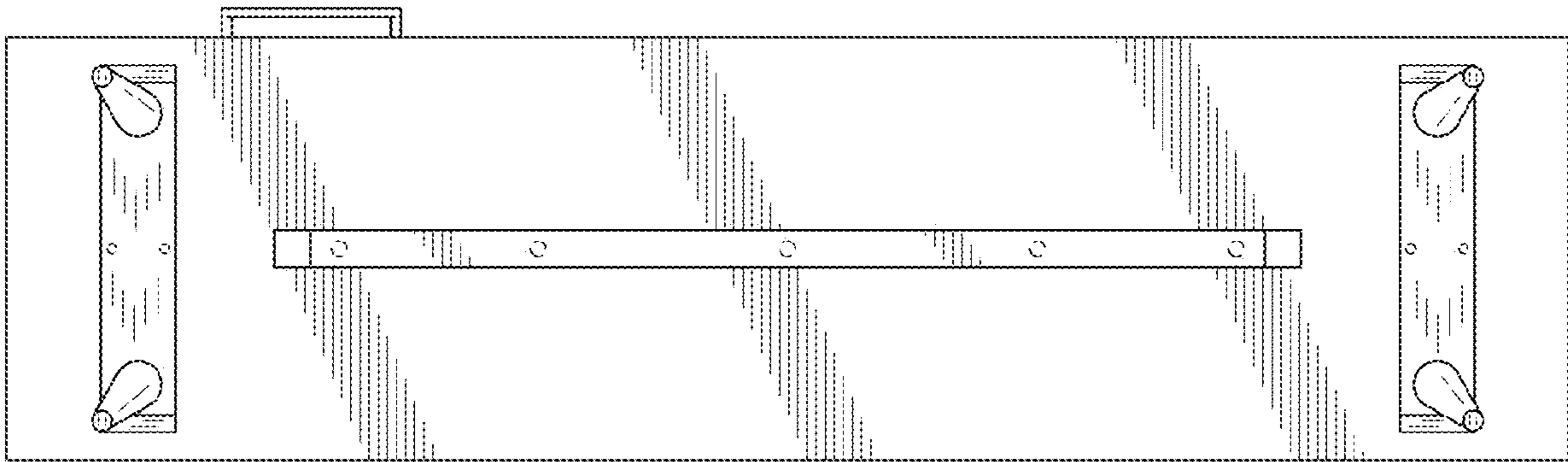


FIG. 8

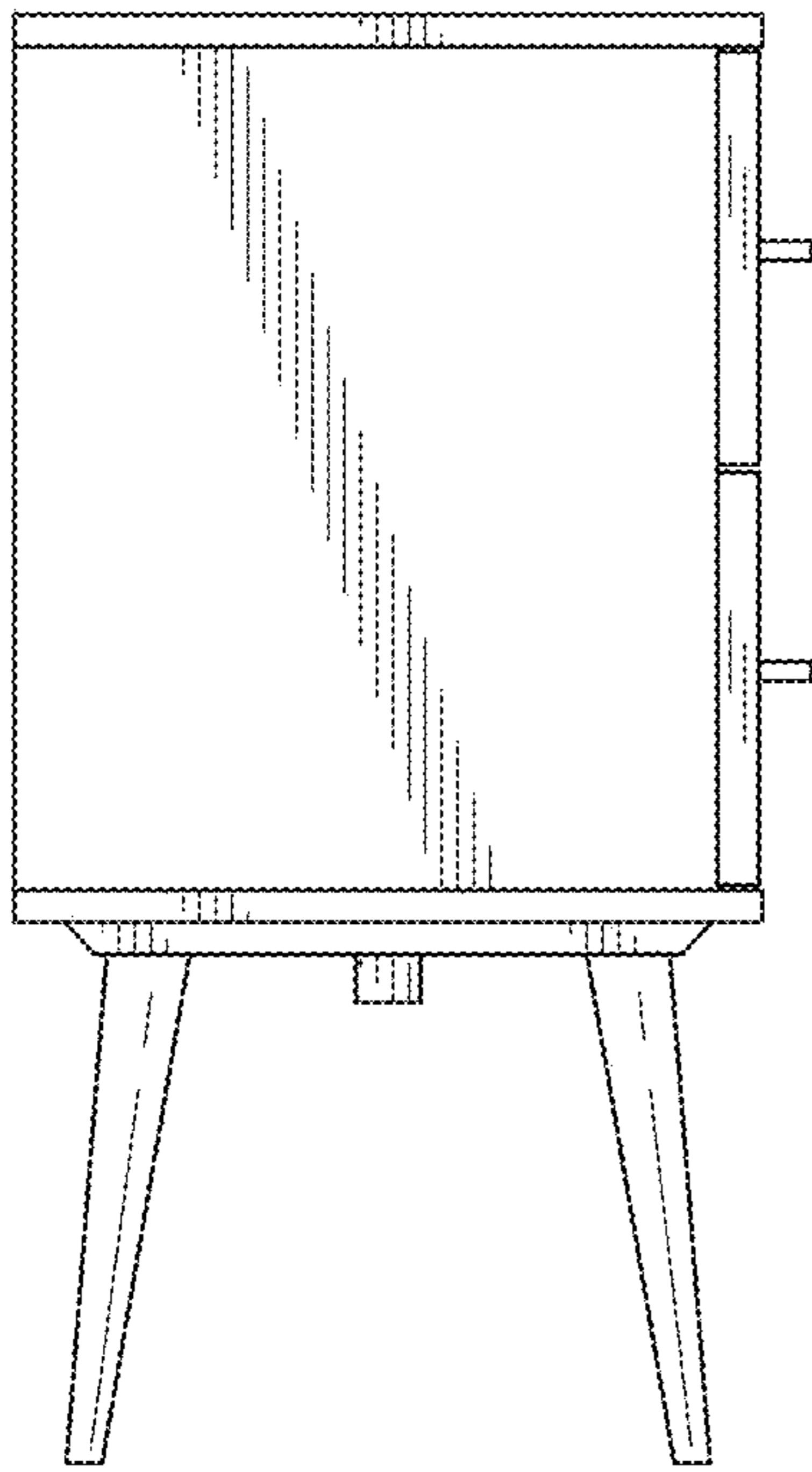


FIG. 9

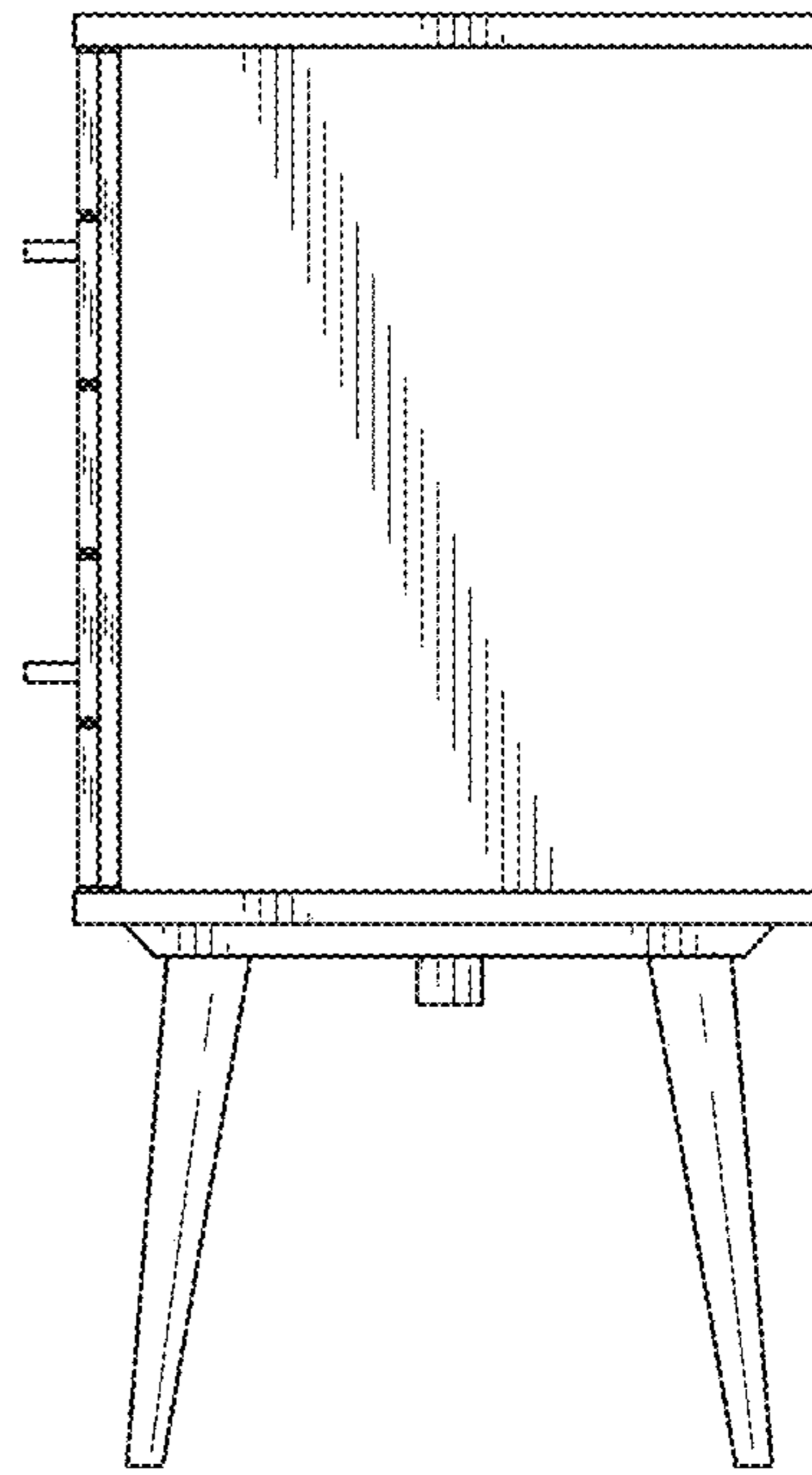


FIG. 10