



US00D979293S

(12) **United States Design Patent** (10) **Patent No.:** **US D979,293 S**  
**Hu** (45) **Date of Patent:** **\*\* Feb. 28, 2023**

(54) **COMPOSITE DESK**

- (71) Applicant: **Yajun Hu**, El Dorado Hills, CA (US)
- (72) Inventor: **Yajun Hu**, El Dorado Hills, CA (US)
- (73) Assignees: **Yajun Hu**, Moreau, CT (US);  
**EUREKA LLC**, EL Dorado Hills, CA (US)
- (\*\*) Term: **15 Years**
- (21) Appl. No.: **29/759,837**
- (22) Filed: **Nov. 25, 2020**
- (51) **LOC (14) Cl.** ..... **06-03**
- (52) **U.S. Cl.**  
USPC ..... **D6/653.1**
- (58) **Field of Classification Search**  
USPC .... D6/641, 642, 653, 653.1, 653.11, 653.17,  
D6/655, 655.1, 655.11, 655.12, 655.15,  
D6/655.17-655.19  
CPC ..... A47B 7/00; A47B 11/00; A47B 13/00;  
A47B 13/02; A47B 13/04; A47B 13/06;  
A47B 13/10; A47B 13/12; A47B 17/00;  
A47B 21/00; A47B 21/0314; A47B  
2021/0364; A47B 2200/0001; A47B  
2200/0011; A47B 2200/002  
See application file for complete search history.

(56) **References Cited**

**U.S. PATENT DOCUMENTS**

D237,439	S	*	11/1975	Kiser	.....	D6/673
D465,941	S	*	11/2002	Ko	.....	D6/653
D478,225	S		8/2003	Wang		
D499,273	S		12/2004	Chang		
D499,576	S		12/2004	Long		
D526,812	S		8/2006	Chen		
D547,970	S		8/2007	Chou		
D549,009	S		8/2007	Lin		
9,591,919	B2		3/2017	Ergun et al.		
D783,316	S	*	4/2017	Davis	.....	D6/655.1
9,635,932	B2		5/2017	Kelley et al.		

**OTHER PUBLICATIONS**

- Tribesigns Extra Long Two Person Desk with Storage Shelves—Amazon, first available Jul. 14, 2020 <https://www.amazon.com/Tribesigns-Computer-Printer-Workstation-Storage/dp/B08ZXLH1RH/> retrieved from the internet on Oct. 31, 2022.\*
- Costway 59" Computer Desk—Amazon, first available Jan. 3, 2022 <https://www.amazon.com/COSTWAY-Removable-Industrial-Workstation-Headphone/dp/B09PL3PT11/> retrieved from the internet on Oct. 31, 2022.\*
- Cubiker Computer Desk—Amazon, first available Nov. 29, 2020 <https://www.amazon.com/Cubiker-Computer-Storage-Shelves-Writing/dp/B08P9VB9B6/> retrieved from the internet on Oct. 31, 2022.\*
- Unikito Double Desk with Power Outlet—Amazon, first available Jun. 10, 2022 <https://www.amazon.com/Unikito-Storage-Shelves-Printer-Computer/dp/B0B3QWJ3G/> retrieved from the internet on Oct. 31, 2022.\*
- Merax, Brown Computer Desk for Two People—Amazon, first available Sep. 5, 2021 <https://www.amazon.com/Merax-Computer-Bookshelf-Multi-Function-Drafting/dp/B09DSCBP6V/> retrieved from the internet on Oct. 31, 2022.\*

\* cited by examiner

*Primary Examiner* — Mary Ann Calabrese

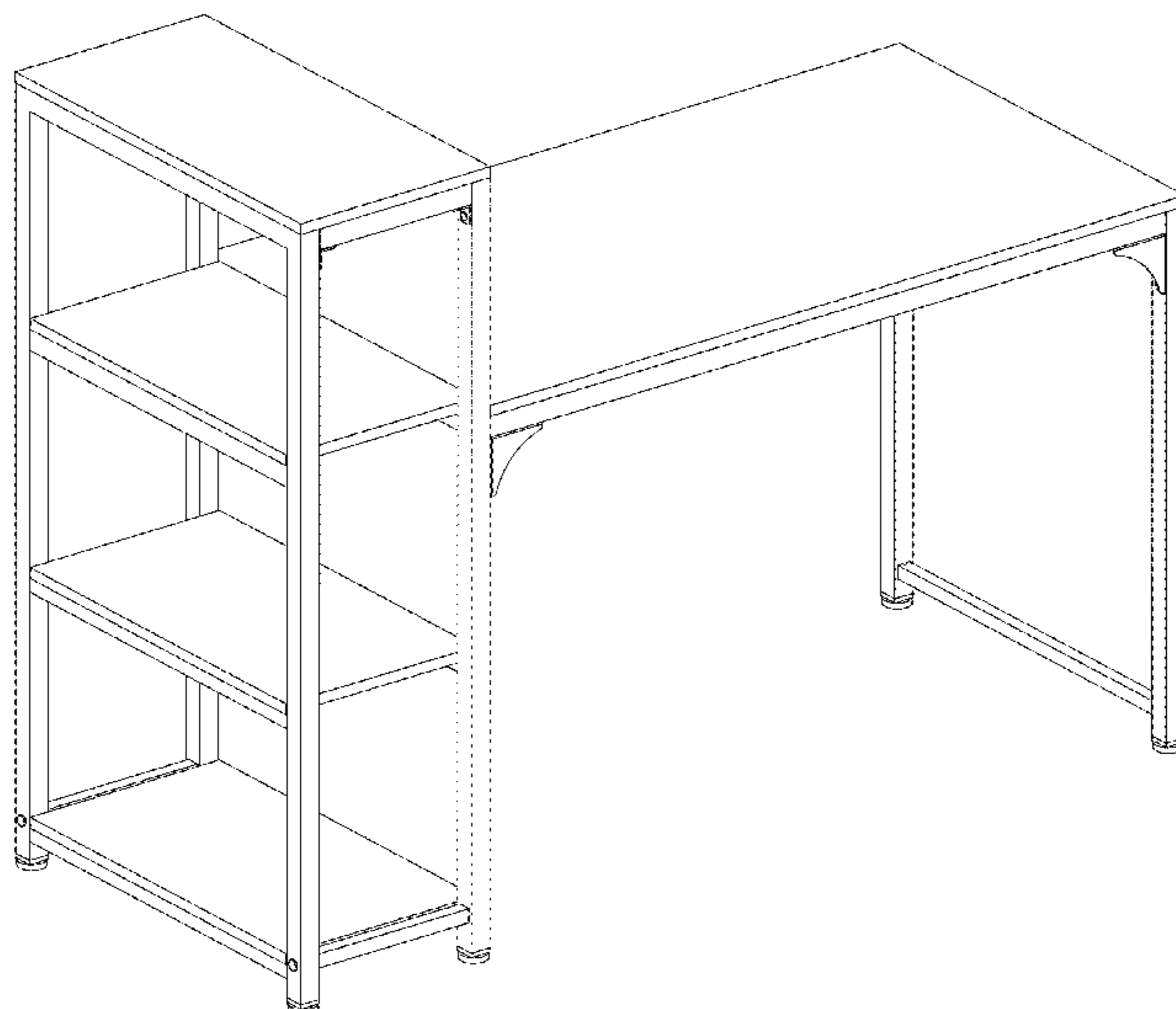
(57) **CLAIM**

I claim the ornamental design for a composite desk, as shown and described.

**DESCRIPTION**

FIG. 1 is a perspective view of a composite desk showing my new design;  
 FIG. 2 is a front view thereof;  
 FIG. 3 is a bottom view thereof;  
 FIG. 4 is a top view thereof;  
 FIG. 5 is a left side view thereof; and,  
 FIG. 6 is a right side view thereof.  
 In the drawings, the broken lines show portions of the desk that form no part of the claimed design.

**1 Claim, 6 Drawing Sheets**



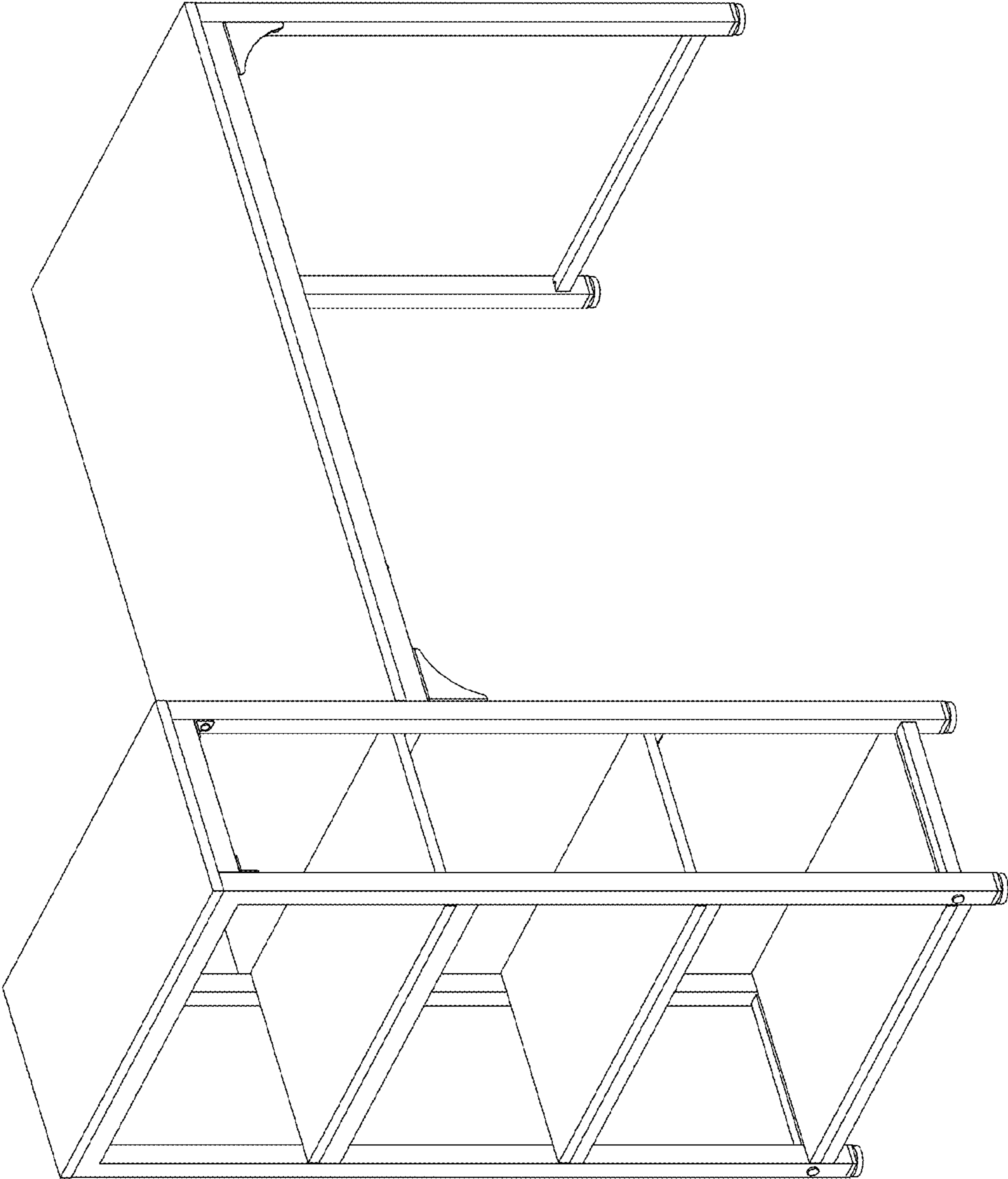


FIG.1

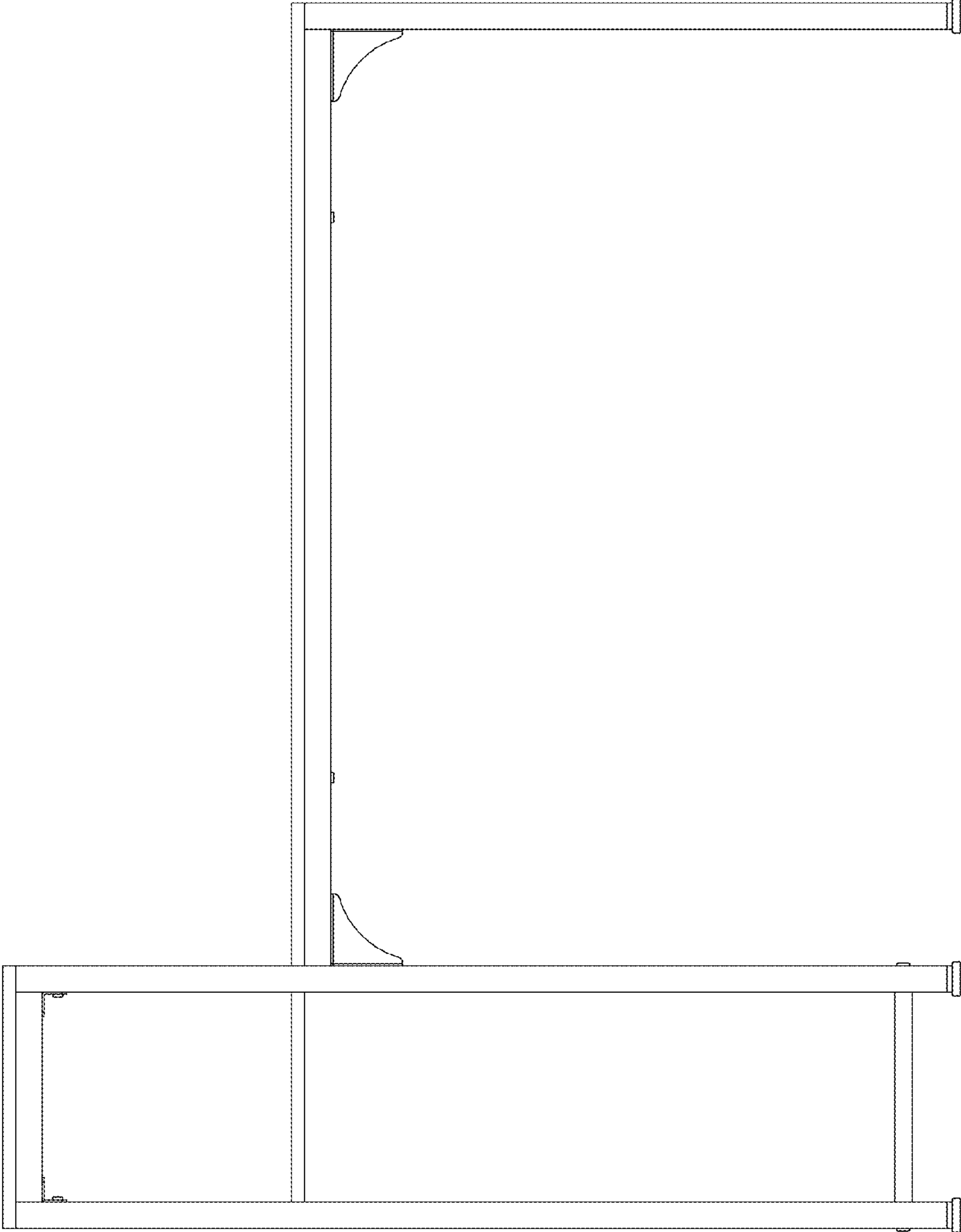


FIG.2

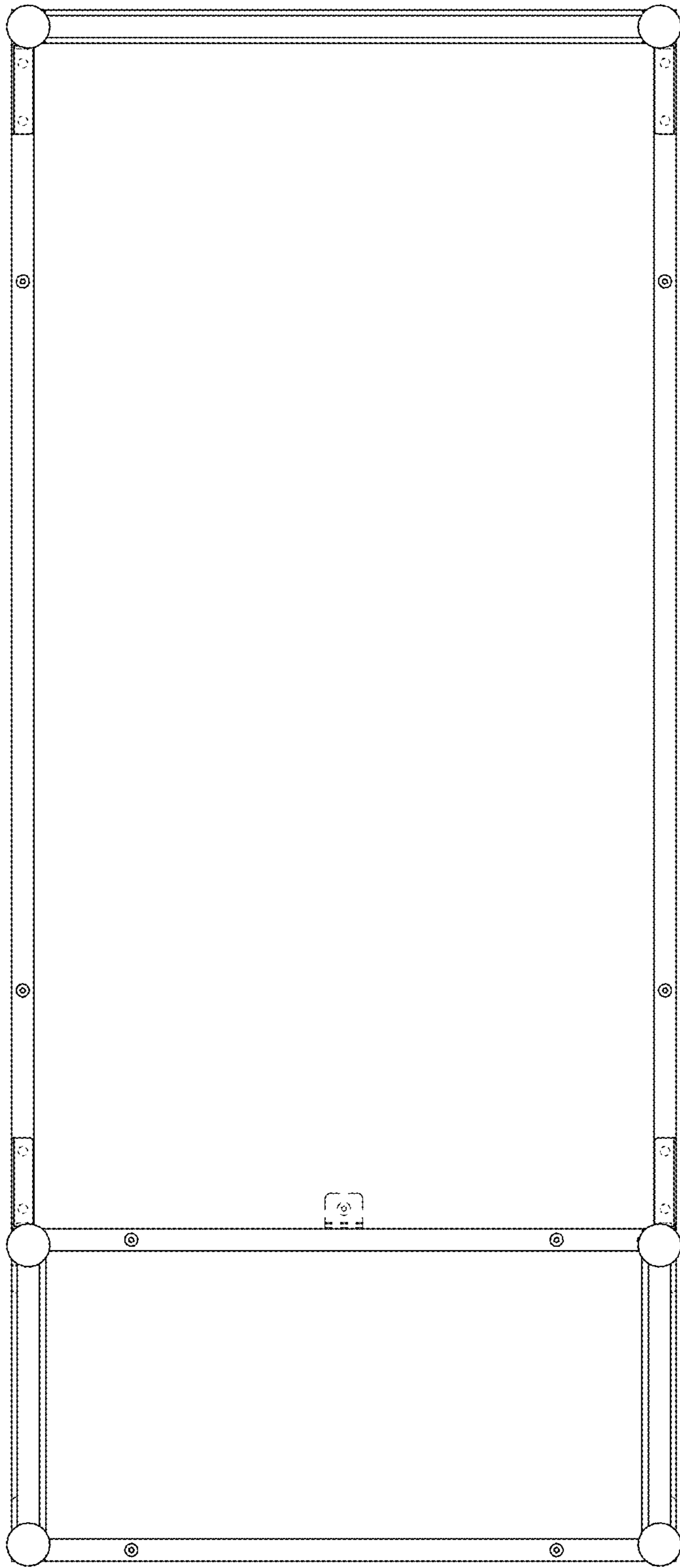


FIG.3

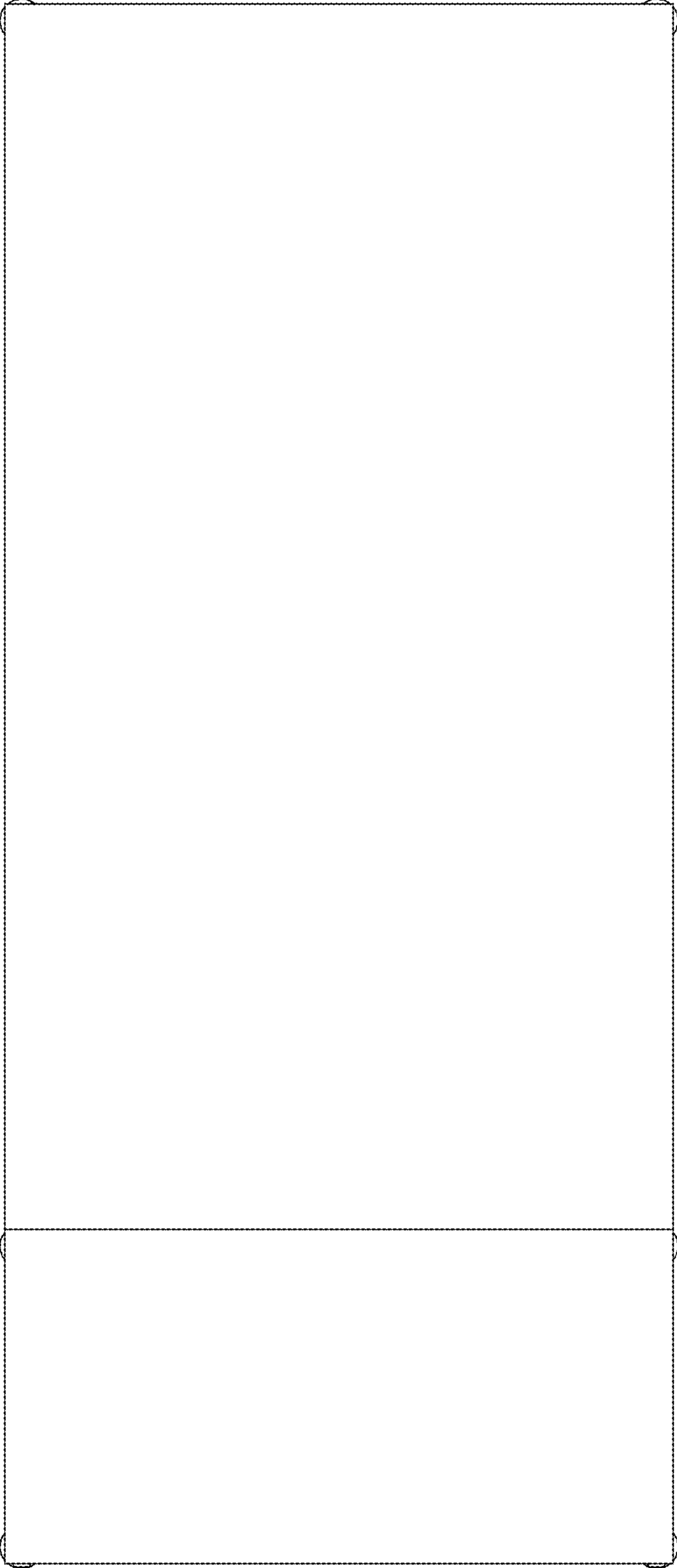


FIG.4

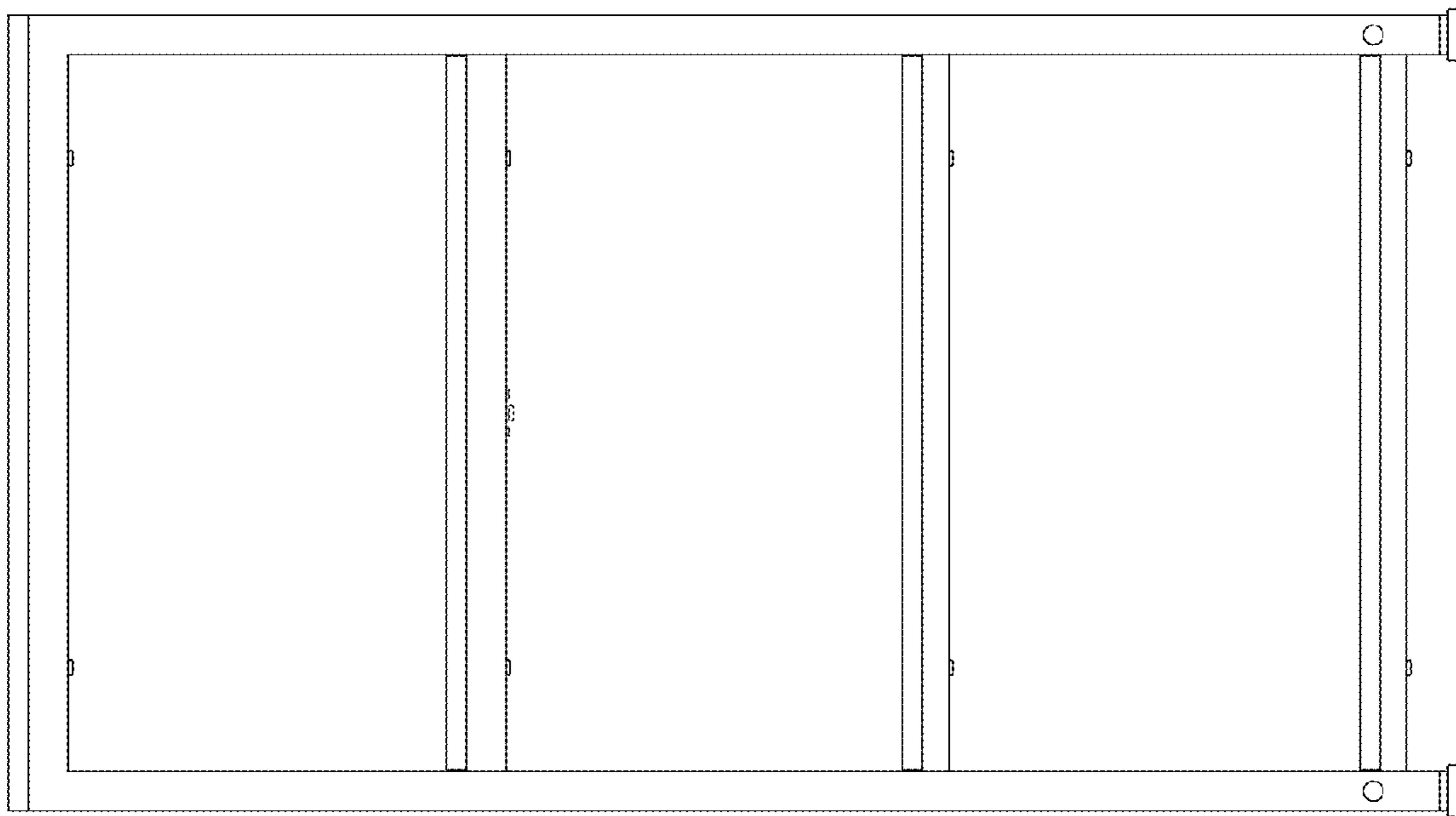


FIG.5

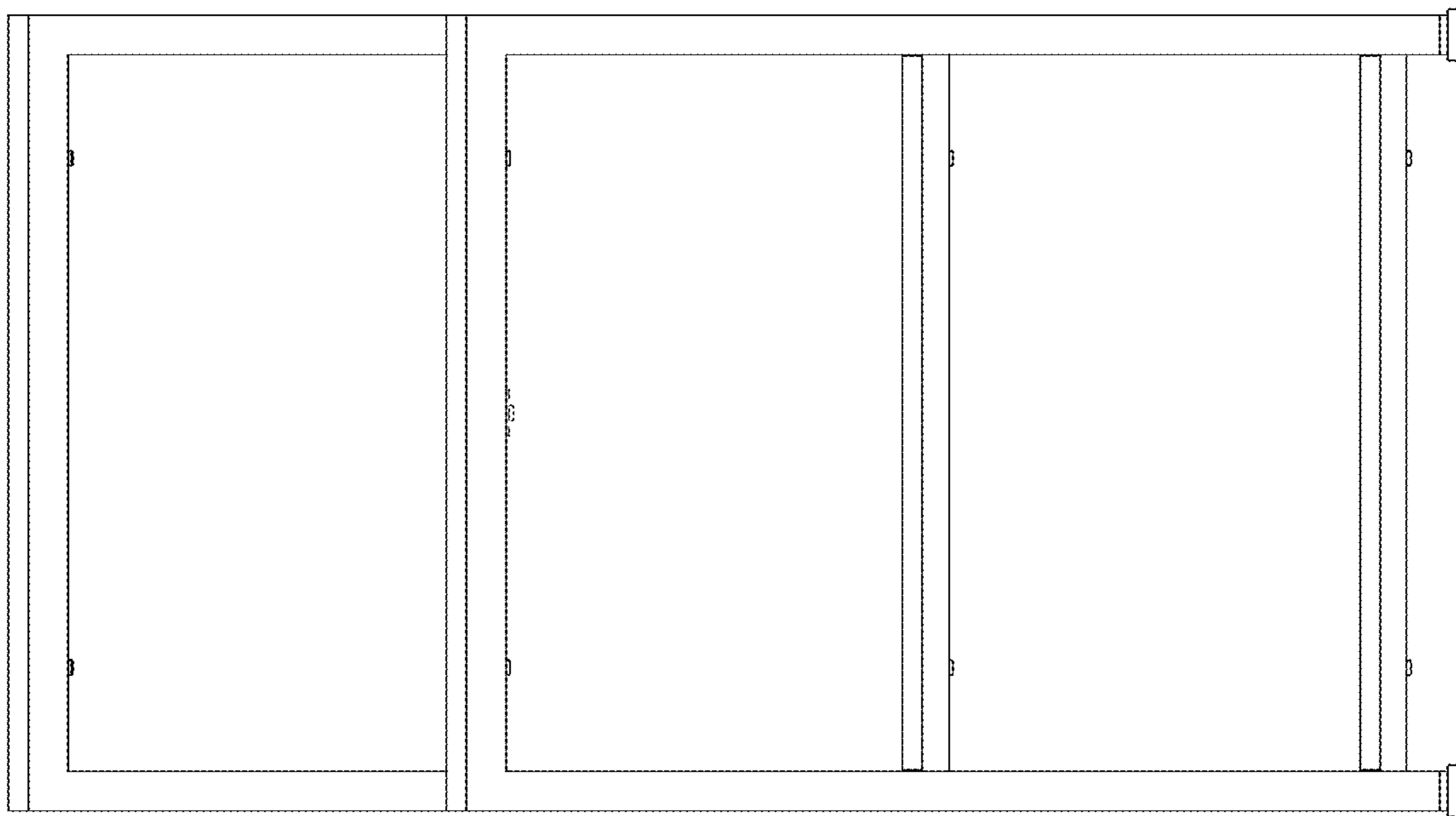


FIG.6