



US00D979292S

(12) **United States Design Patent** (10) **Patent No.:** **US D979,292 S**
Colondona (45) **Date of Patent:** **** Feb. 28, 2023**

(54) **OUTDOOR FURNITURE CUSHIONS CARRIER COVER**

FOREIGN PATENT DOCUMENTS

WO 2019222279 A1 11/2019

(71) Applicant: **Michele Colondona**, Manorville, NY (US)

OTHER PUBLICATIONS

(72) Inventor: **Michele Colondona**, Manorville, NY (US)

The Outer Shell Cover; "Explore the Sofa/The Outershell (TM) Cover"; <https://liveouter.com>; download dated Mar. 20, 2020; pp. 1-13.

(73) Assignee: **Creative Covers by JM Designs, LLC**, Manorville, NY (US)

Primary Examiner — Kevin K Rudzinski
Assistant Examiner — Clare Ann Gannon

(**) Term: **15 Years**

(74) *Attorney, Agent, or Firm* — Alfred M. Walker; John F. Vodopia

(21) Appl. No.: **29/754,836**

(57) **CLAIM**

(22) Filed: **Oct. 14, 2020**

I claim the ornamental design for an outdoor furniture cushions carrier cover, as shown and described.

(51) **LOC (14) Cl.** **06-13**

DESCRIPTION

(52) **U.S. Cl.**
USPC **D6/611**

(58) **Field of Classification Search**
USPC D6/610-612; D7/402; D12/221
CPC A47C 31/10; A47C 31/11; A47C 7/386;
A47J 37/0786; B60N 2/60; B60N 2/6018;
A47K 1/06
See application file for complete search history.

FIG. 1 is a top view of the outdoor furniture cushions carrier cover showing the new design in a position of use on an environmental chair.
FIG. 2 is a front perspective view thereof.
FIG. 3 is a front elevation view thereof.
FIG. 4 is a rear elevation view thereof.
FIG. 5 is a left end side elevation view thereof.
FIG. 6 a right end side elevation view thereof.
FIG. 7 is a top view thereof.
FIG. 8 is a bottom view thereof; and,
FIG. 9 is a perspective view thereof, shown in a flattened, exploded view with the environmental cushions removed.
The bracketed solid wavy curved break lines of the outdoor furniture cushions carrier cover are shown with a bracket indicating the symbolic break in its width. The appearance of any portion of the article between the break lines forms no part of the claimed design.
The chair, seat cushion and back rest cushion shown in dashed lines are shown for environmental purposes in dashed lines and form no part of the claimed design.

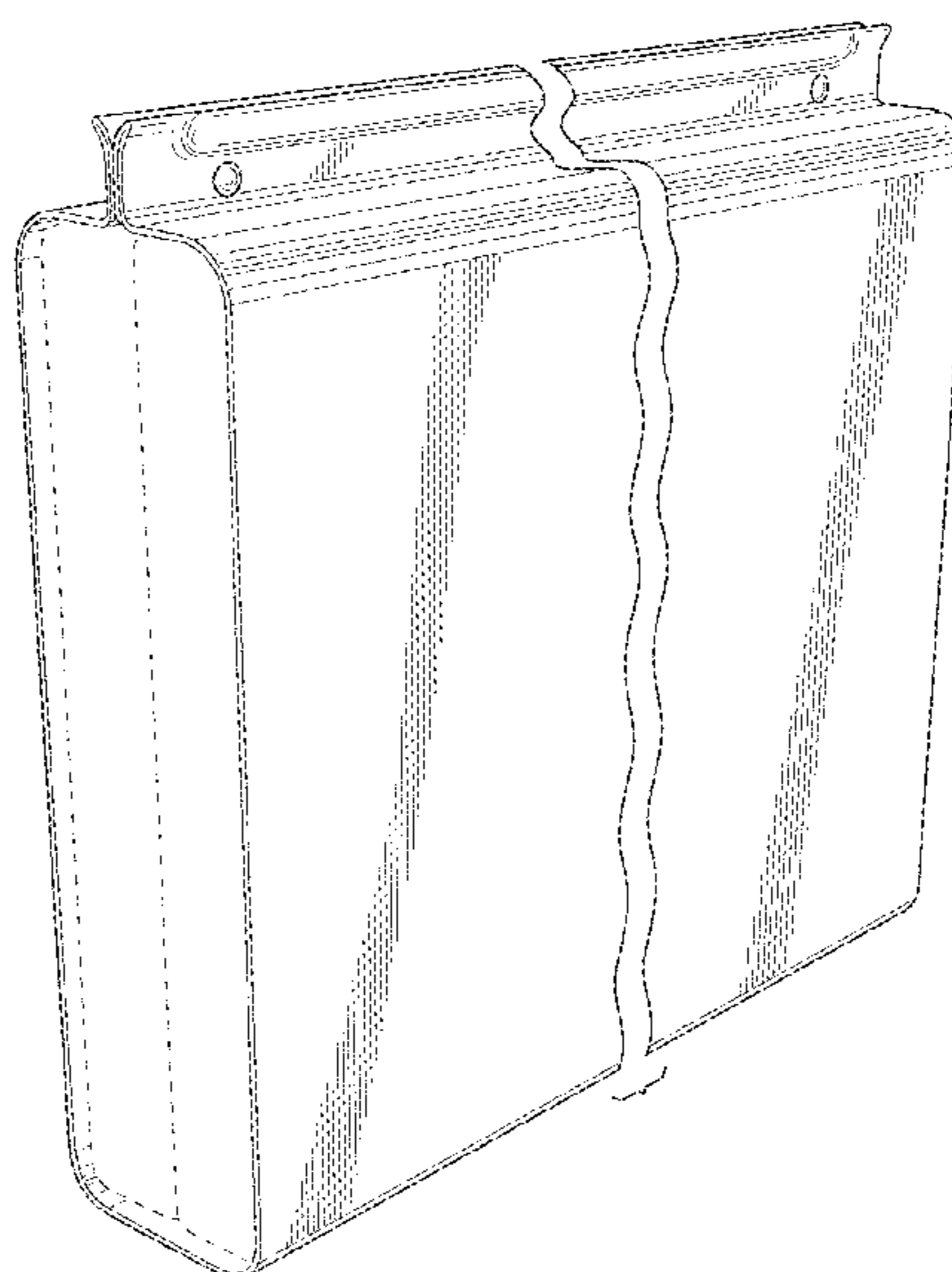
(56) **References Cited**

U.S. PATENT DOCUMENTS

D137,638 S *	4/1944	Spiro, Jr.	D6/610
4,600,238 A	7/1986	Goodford		
4,705,084 A	11/1987	Rodebaugh et al.		
4,891,918 A *	1/1990	Wiley	B65D 85/62 47/20.1
5,694,866 A	12/1997	Muller		
6,030,034 A	2/2000	Plohetski		
D423,271 S *	4/2000	Brock	A47C 7/425 D6/613
6,312,051 B1 *	11/2001	Adams	A47C 31/113 297/228.11
6,647,570 B1	11/2003	Ong		

(Continued)

1 Claim, 7 Drawing Sheets



(56)

References Cited

U.S. PATENT DOCUMENTS

6,951,039	B2	10/2005	Roseff	
D603,201	S *	11/2009	Corle	D6/611
D610,855	S *	3/2010	Siklosi	B64D 11/0627
				D6/611
D634,152	S *	3/2011	Natkin	D6/611
8,191,966	B1	6/2012	Longenette	
8,393,675	B2	3/2013	Swanson	
D680,360	S *	4/2013	Ogawa	D6/611
D685,213	S *	7/2013	Margalit	D6/611
D783,315	S *	4/2017	Gourley	D6/611
9,815,395	B2	11/2017	Umlauf	
9,845,034	B1 *	12/2017	Lew	B64D 11/0627
2008/0179926	A1 *	7/2008	Kushner	B60N 2/6063
				297/229
2010/0078458	A1	4/2010	Mottram et al.	
2012/0212019	A1	8/2012	Rodriguez et al.	
2014/0042786	A1	2/2014	Miller	
2014/0224701	A1 *	8/2014	Floyd-Vester	A45C 9/00
				206/546
2020/0039402	A1 *	2/2020	Barker	B60N 2/6027
2020/0154903	A1	5/2020	Lin et al.	
2021/0307537	A1 *	10/2021	Colondona	A47C 7/425

* cited by examiner

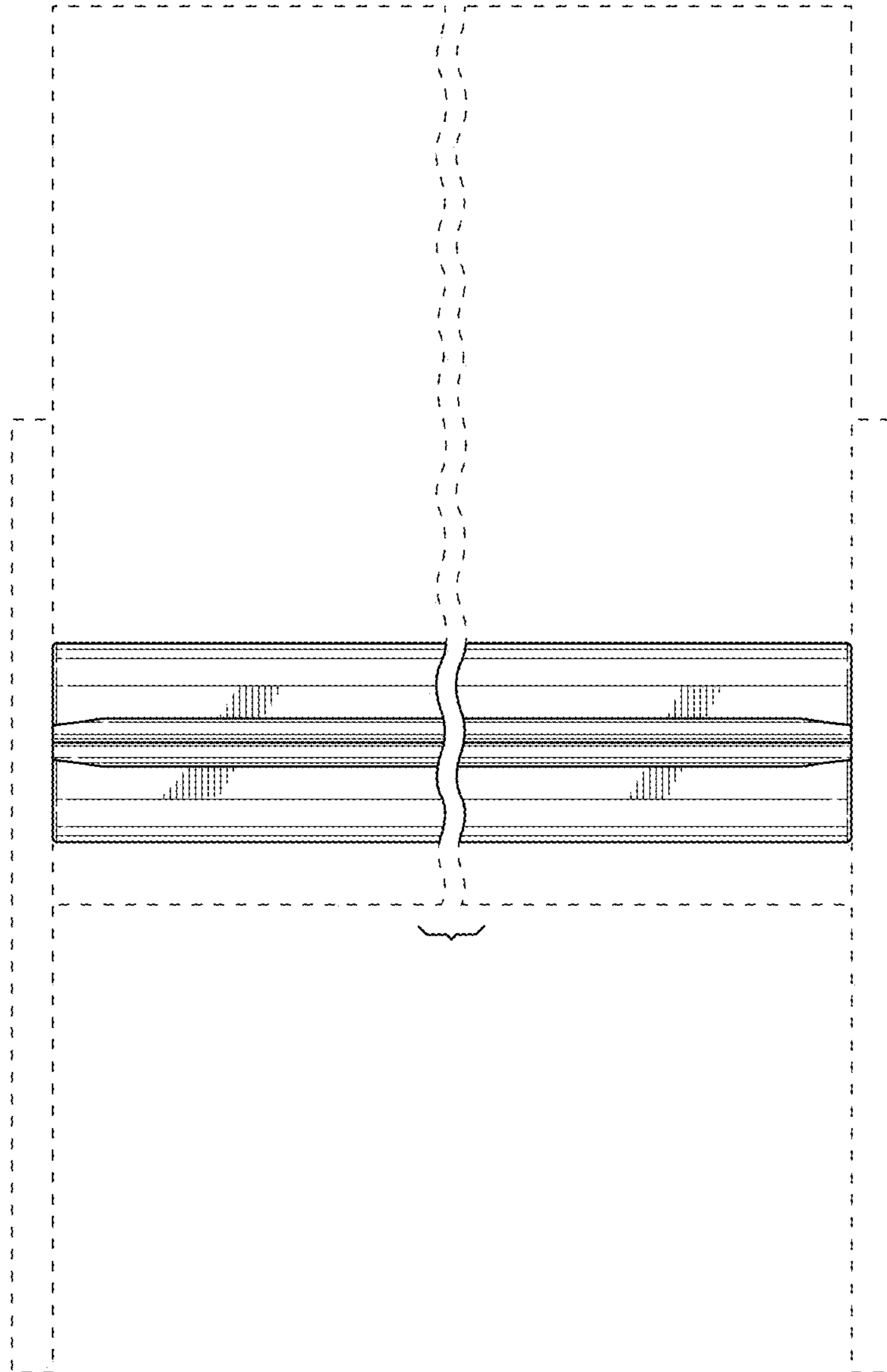


FIG. 1

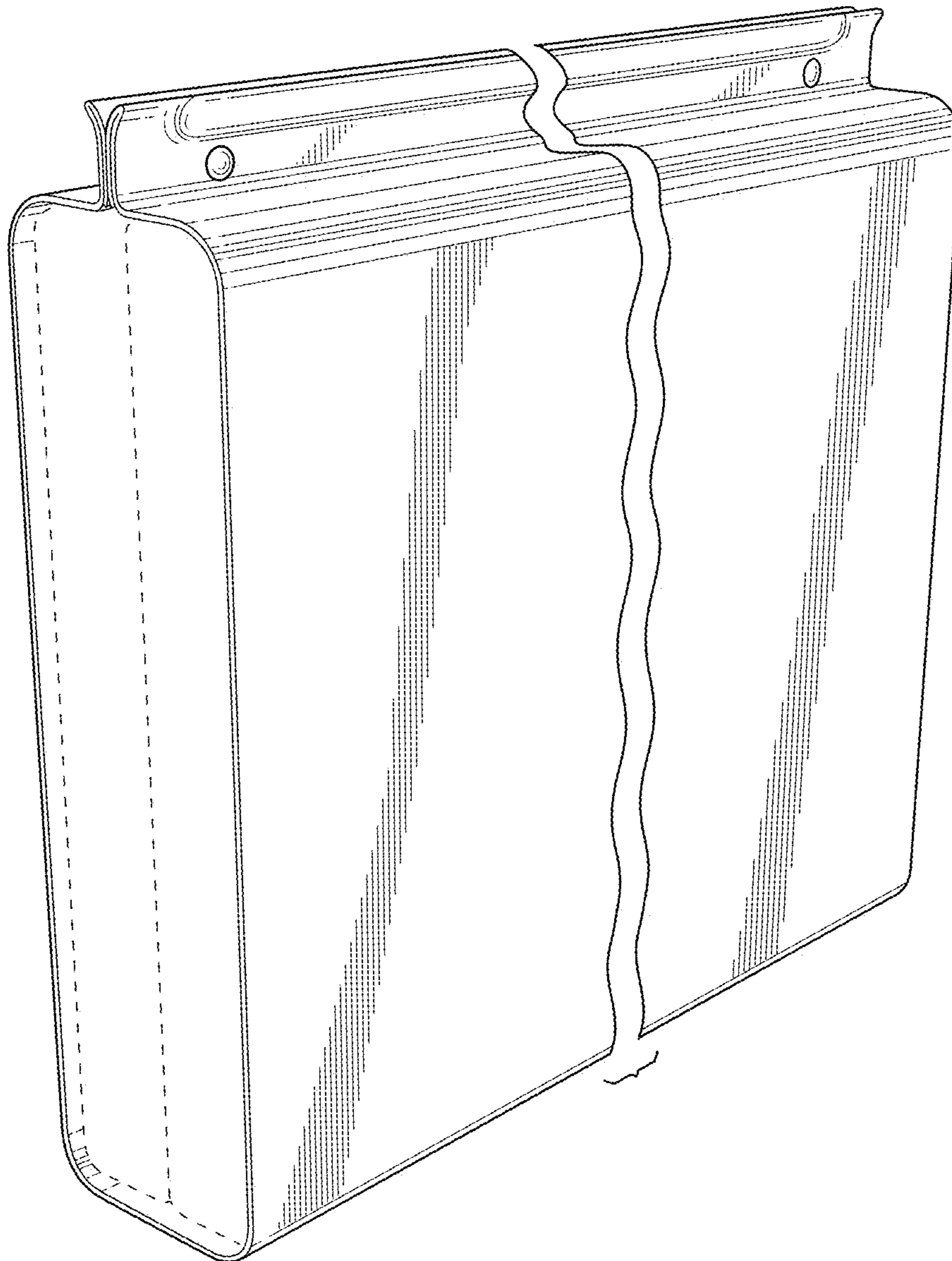


FIG. 2

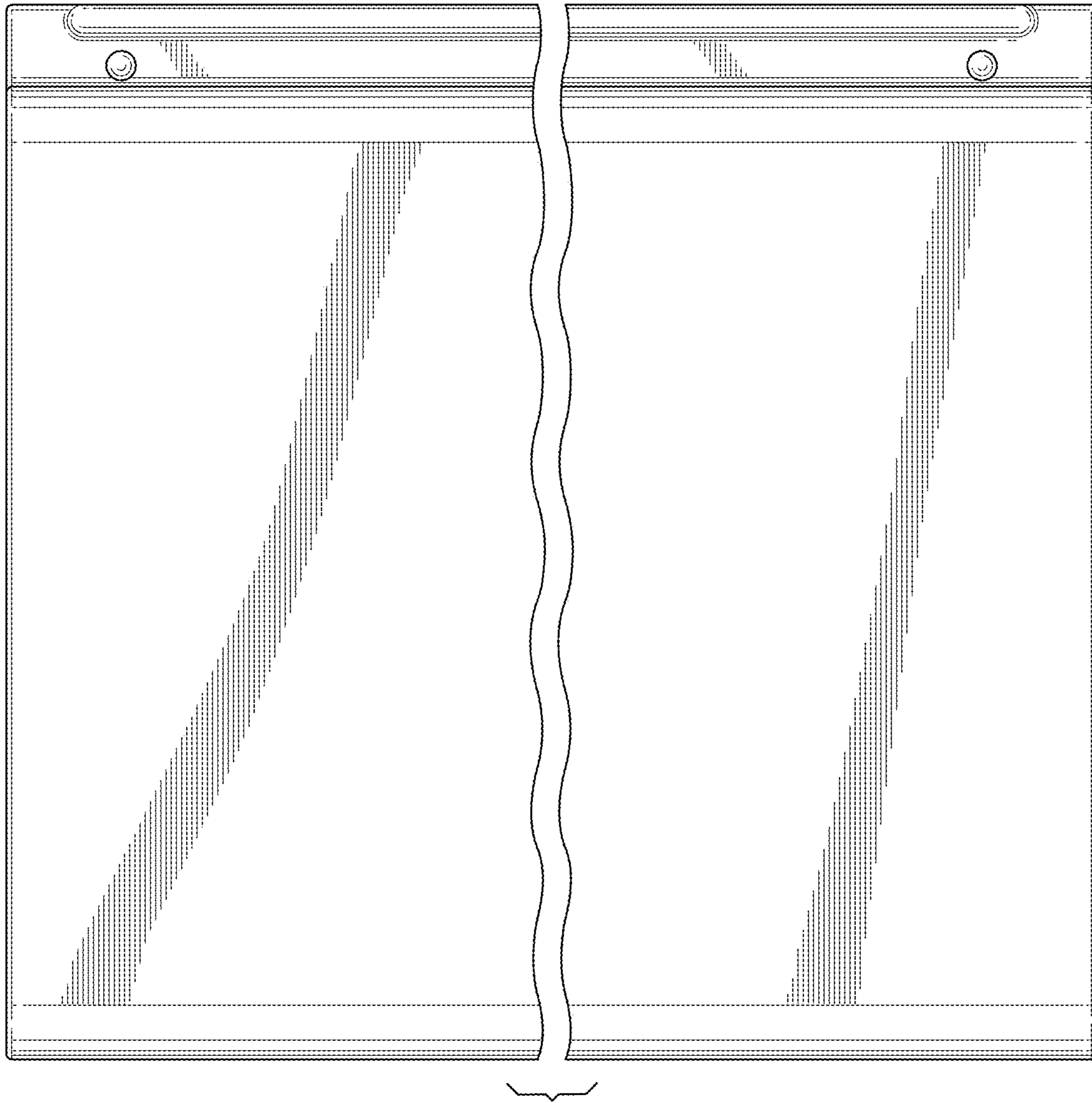


FIG. 3

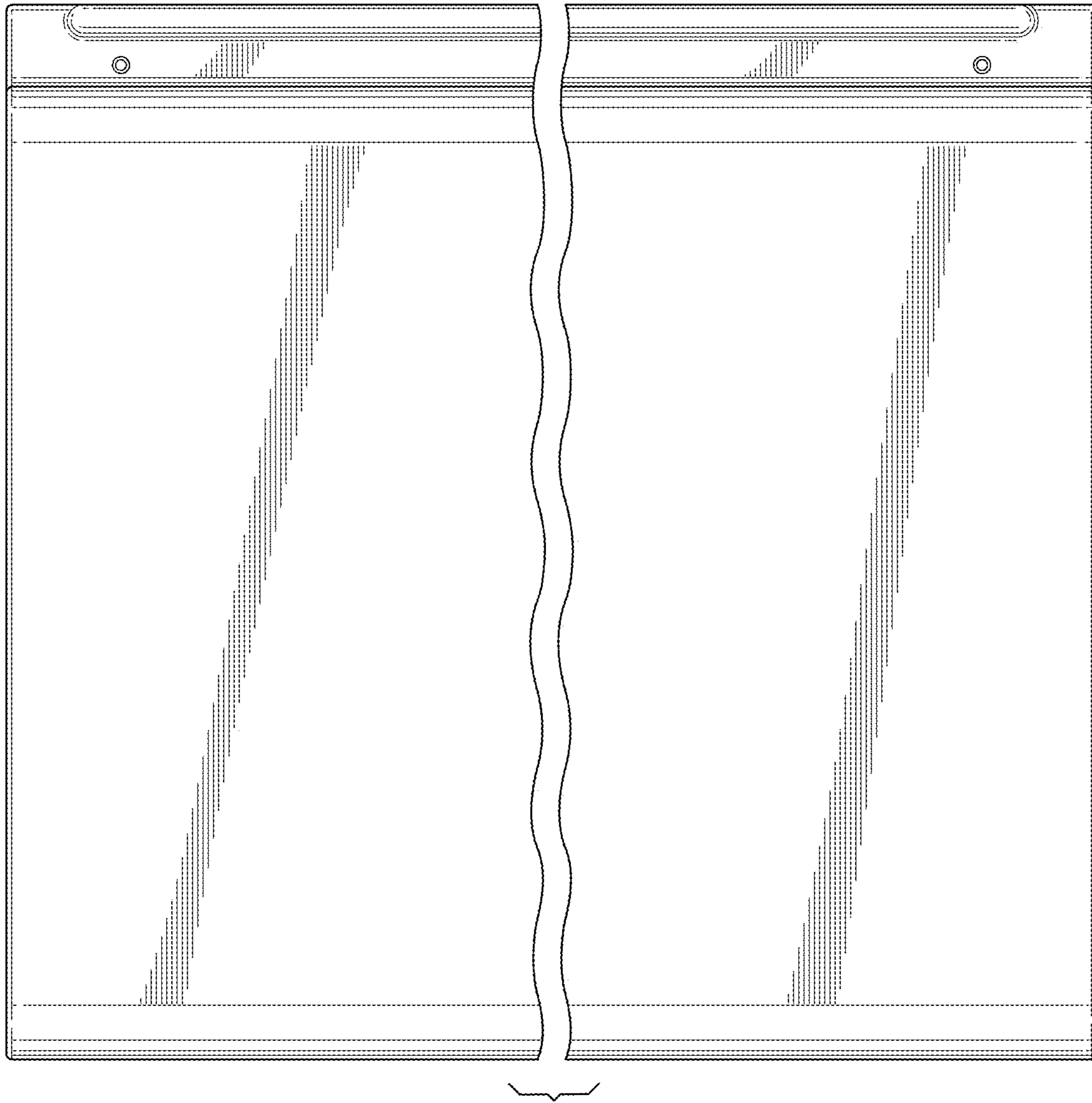


FIG. 4

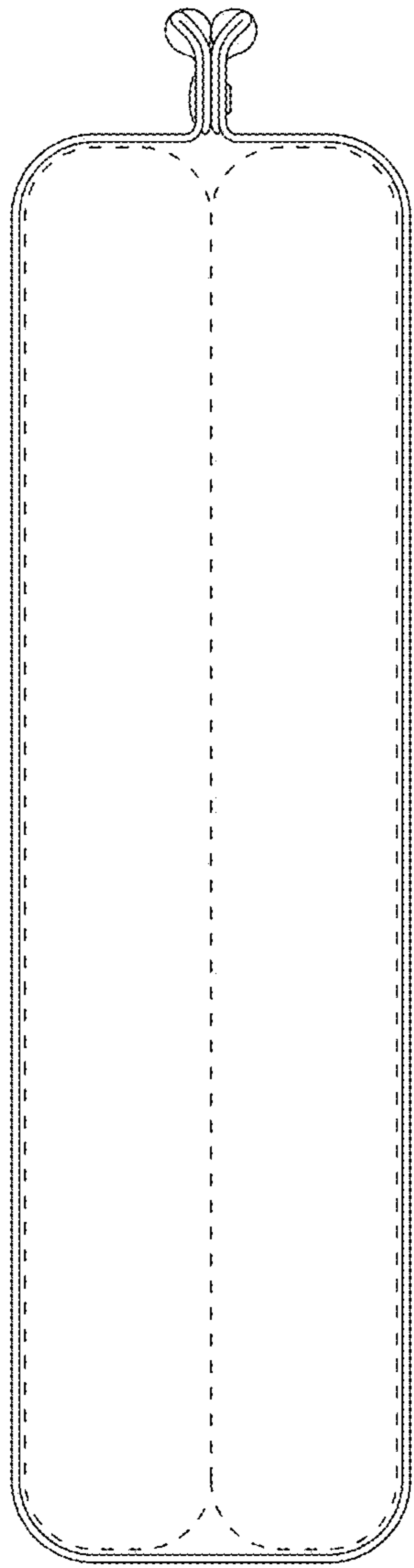


FIG. 5

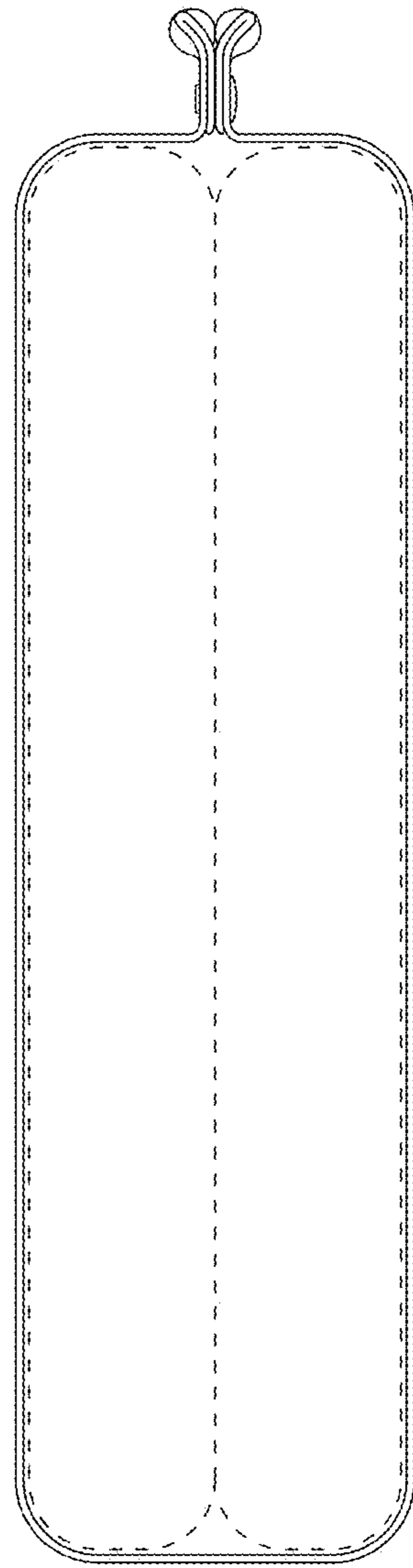


FIG. 6

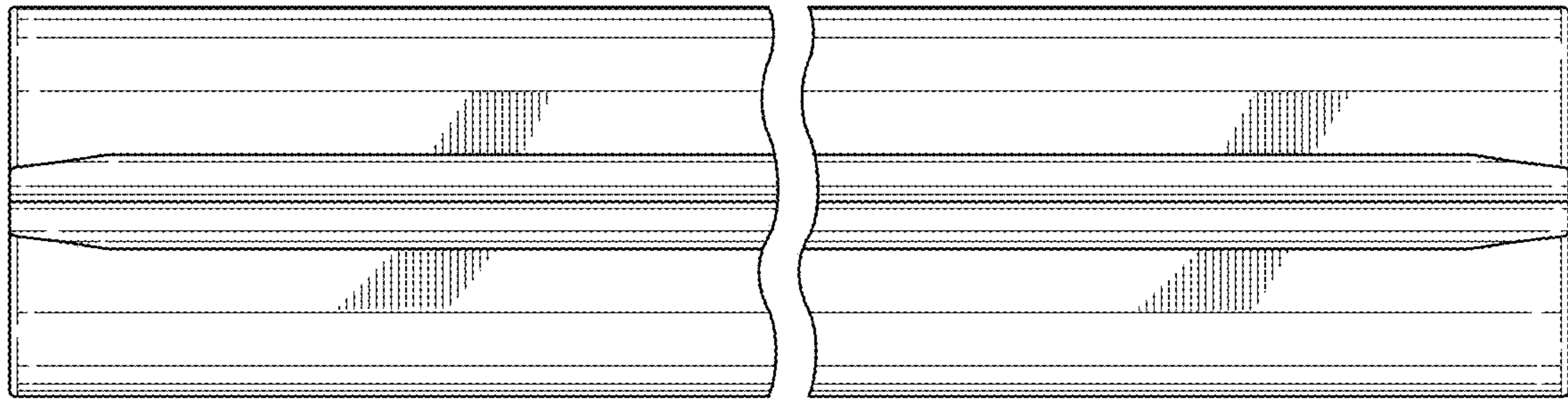


FIG. 7

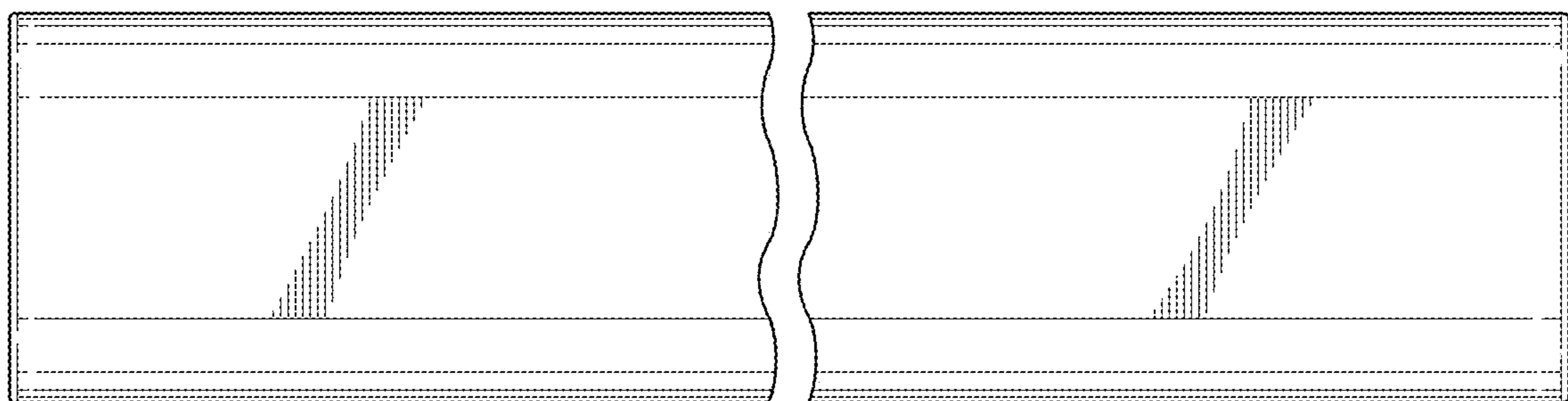


FIG. 8

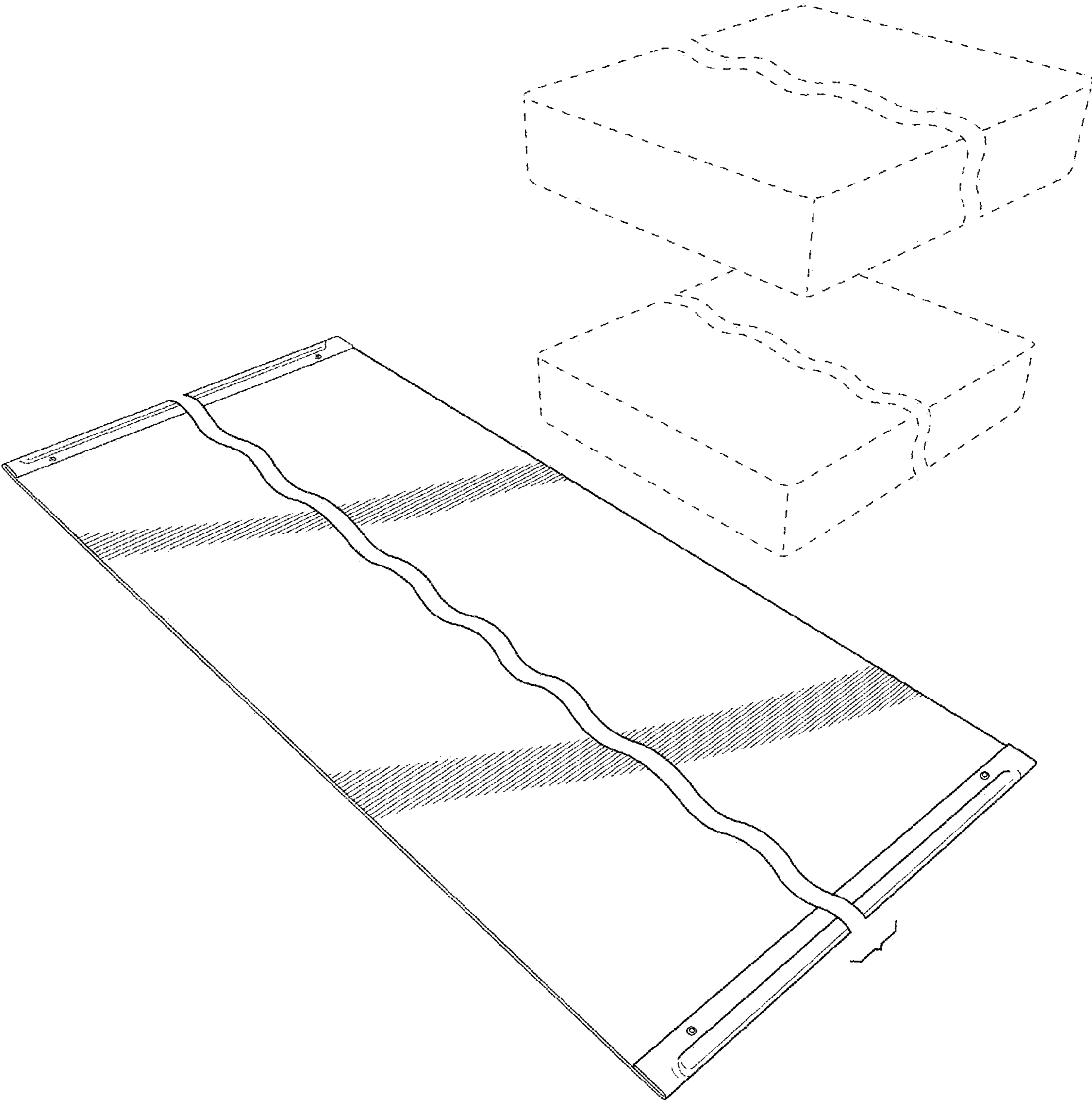


FIG. 9