

US00D979290S

(12) **United States Design Patent**
Adjesson

(10) **Patent No.:** **US D979,290 S**
(45) **Date of Patent:** **** Feb. 28, 2023**

- (54) **COMFORTER**
- (71) Applicant: **Eric Adjesson**, Stone Mountain, GA
(US)
- (72) Inventor: **Eric Adjesson**, Stone Mountain, GA
(US)
- (**) Term: **15 Years**
- (21) Appl. No.: **29/728,952**
- (22) Filed: **Mar. 23, 2020**

- 2,679,056 A * 5/1954 Simpson A47G 9/0246
5/497
- 3,144,666 A * 8/1964 Mazera A47G 9/0284
5/493
- 3,377,636 A * 4/1968 Addario A47C 21/00
5/497
- 3,879,777 A * 4/1975 Walker A47G 9/02
5/500
- 4,461,048 A * 7/1984 Allaire, Jr. A47G 9/0246
5/493
- 4,964,184 A * 10/1990 Lewis A47G 9/02
5/498
- D313,140 S * 12/1990 Johnson D6/602
- 5,042,098 A * 8/1991 Stultz A47G 9/0246
5/497
- D324,971 S * 3/1992 Blocker D6/602
(Continued)

Related U.S. Application Data

- (63) Continuation-in-part of application No. 16/810,359,
filed on Mar. 5, 2020, now abandoned.
- (51) **LOC (14) Cl.** **06-13**
- (52) **U.S. Cl.**
USPC **D6/603**
- (58) **Field of Classification Search**
USPC D5/1-4, 7, 37, 55-62, 99; D6/575, 582,
D6/583, 588, 592, 601, 602, 603, 604,
D6/605, 608, 613, 617; D25/138
CPC A45C 13/36; A45C 13/001; A45C 5/03;
A45C 31/11; A45C 27/08; A45C 27/14;
A47G 27/02; A47G 27/04; A47G 27/45;
B44F 7/00; B60N 2/60; D03D 1/02;
D03D 1/06; D03D 1/0047; D03D 1/0082;
D03D 15/46; D03D 27/02
See application file for complete search history.

Primary Examiner — Karen S Acker

(57) **CLAIM**

The ornamental design for a comforter, as shown and described.

DESCRIPTION

FIG. 1 is a front-top perspective view of a comforter showing my new design;
 FIG. 2 is a front-bottom perspective view thereof;
 FIG. 3 is a rear-top perspective view thereof;
 FIG. 4 is a rear-bottom perspective view thereof;
 FIG. 5 is a front elevational view thereof;
 FIG. 6 is a rear elevational view thereof;
 FIG. 7 is a left elevational view thereof;
 FIG. 8 is a right elevational view thereof;
 FIG. 9 is a top plan view thereof; and,
 FIG. 10 is a bottom plan view thereof.

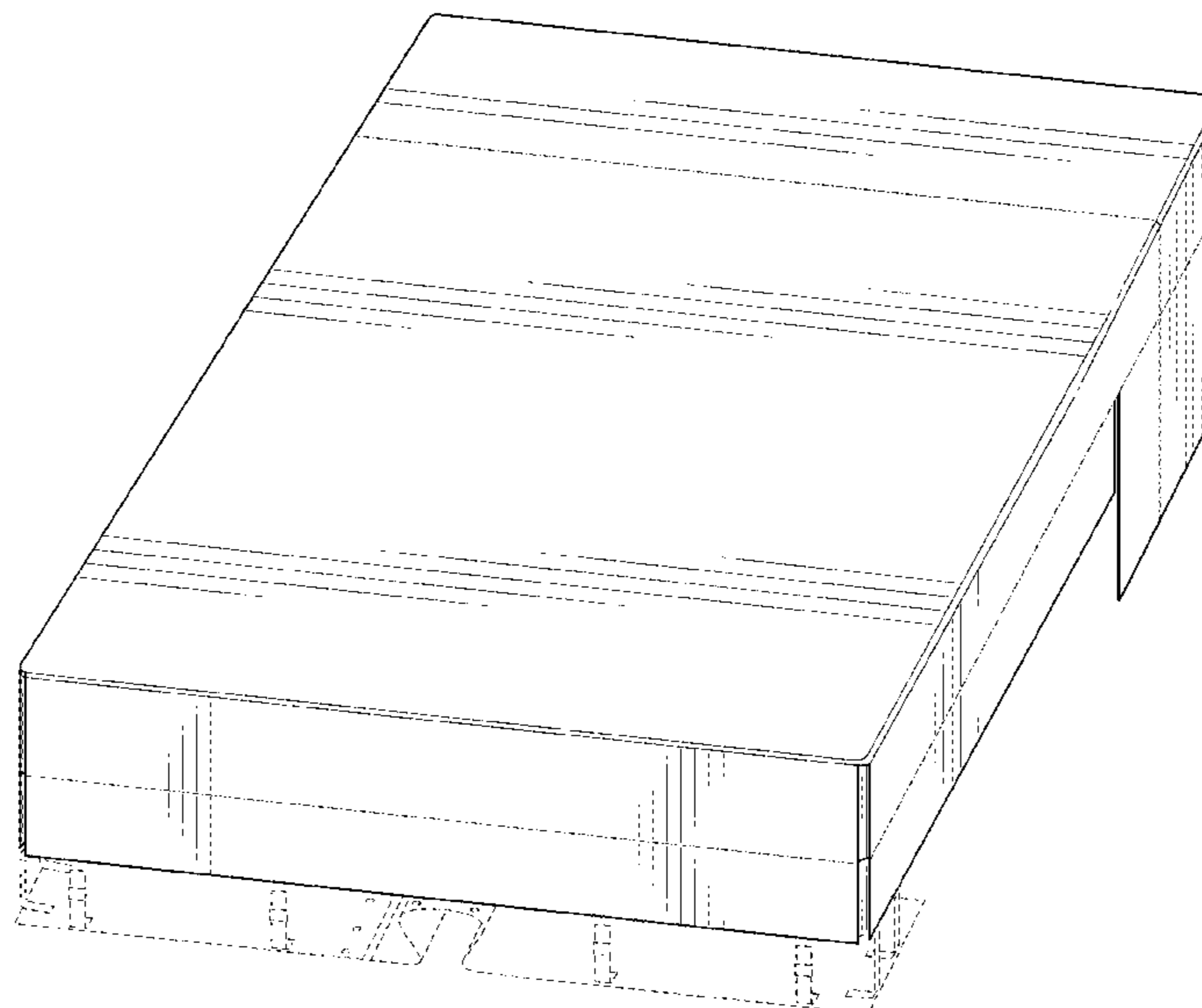
The evenly spaced broken lines and areas within them depict environmental subject matter that forms no part of the claimed design.
 The dot dash broken lines depict claimed feature lines intended to indicate how the comforter is to be folded.

(56) **References Cited**

U.S. PATENT DOCUMENTS

- 1,343,881 A * 6/1920 Christensen A47G 9/0284
5/490
- 2,313,337 A * 3/1943 Gurke A47G 9/04
D6/596
- 2,598,141 A * 5/1952 Simpson A47G 9/0246
112/475.08

1 Claim, 10 Drawing Sheets



US D979,290 S

Page 2

(56)

References Cited

U.S. PATENT DOCUMENTS

5,442,822 A * 8/1995 Diaz A47G 9/0246
5/497
5,465,440 A * 11/1995 Heptner A47G 9/0246
5/497
D370,822 S * 6/1996 Palomo A47G 9/0223
D6/602
5,901,389 A * 5/1999 Manner A47G 9/02
5/482
6,502,258 B1 * 1/2003 Mitchell A47G 9/0246
5/497
6,725,477 B2 * 4/2004 Ciaglia A47G 9/02
5/500
D512,869 S * 12/2005 Green-Law A47G 9/0246
D6/596
D527,562 S * 9/2006 Manning D6/603
D630,878 S * 1/2011 Kennett D6/603

D687,654 S * 8/2013 Jalan D6/602
D715,582 S * 10/2014 Mun A47G 9/02
D6/602
D724,862 S * 3/2015 Ferguson A47G 9/0246
D6/602
D778,638 S * 2/2017 Williams A47G 9/0246
D6/602
D831,478 S * 10/2018 Moon A47G 9/02
D6/596
D907,401 S * 1/2021 Joy A47G 9/0246
D6/602
11,426,014 B1 * 8/2022 Bagley, Sr. A47G 9/08
2006/0282950 A1 * 12/2006 Shuster A47G 9/0246
5/486
2009/0265855 A1 * 10/2009 Hawk A47D 15/001
5/655
2021/0274943 A1 * 9/2021 Adjesson A47C 21/028
2022/0133052 A1 * 5/2022 Adjesson A47G 9/0223
5/498

* cited by examiner

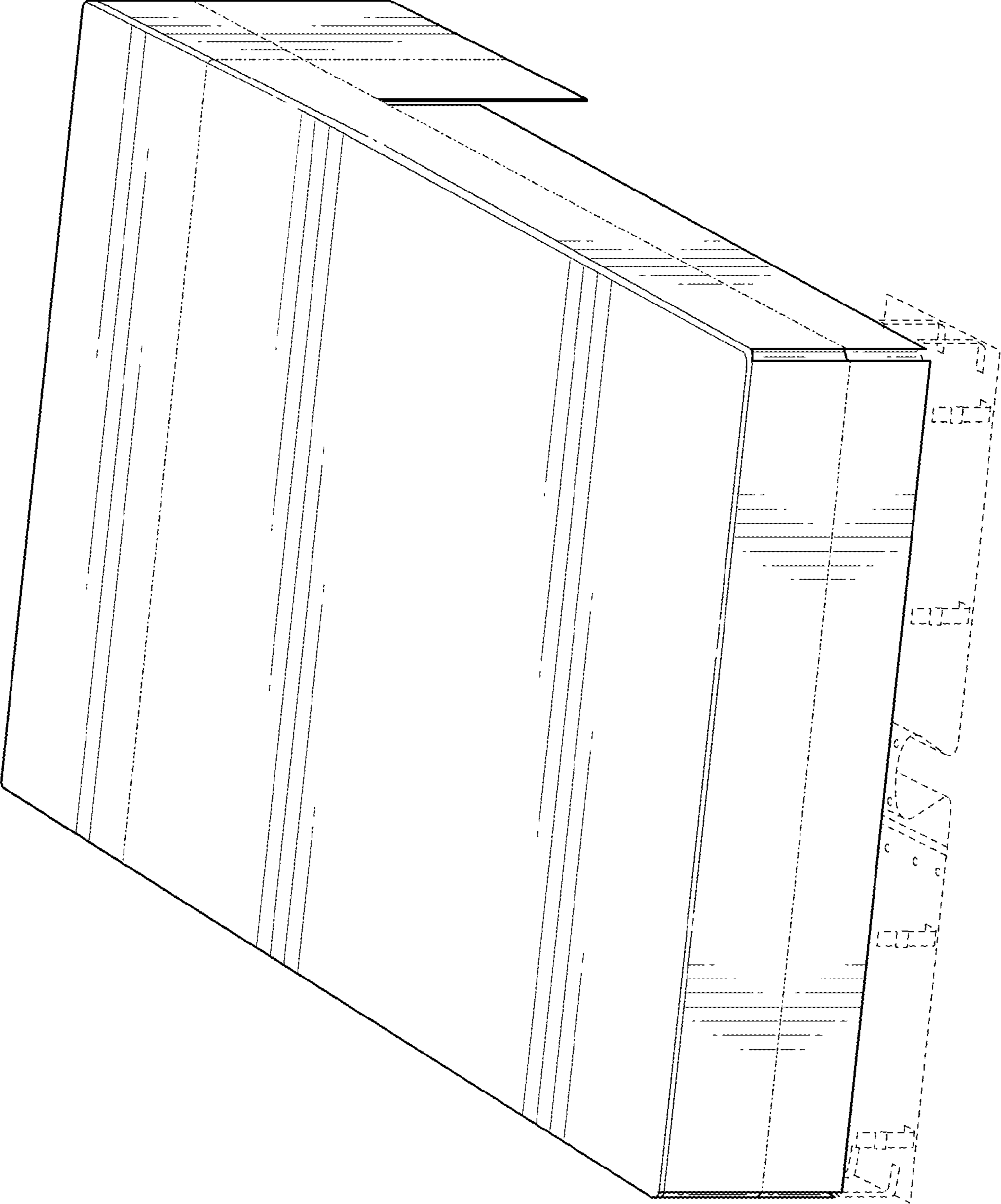


FIG. 1

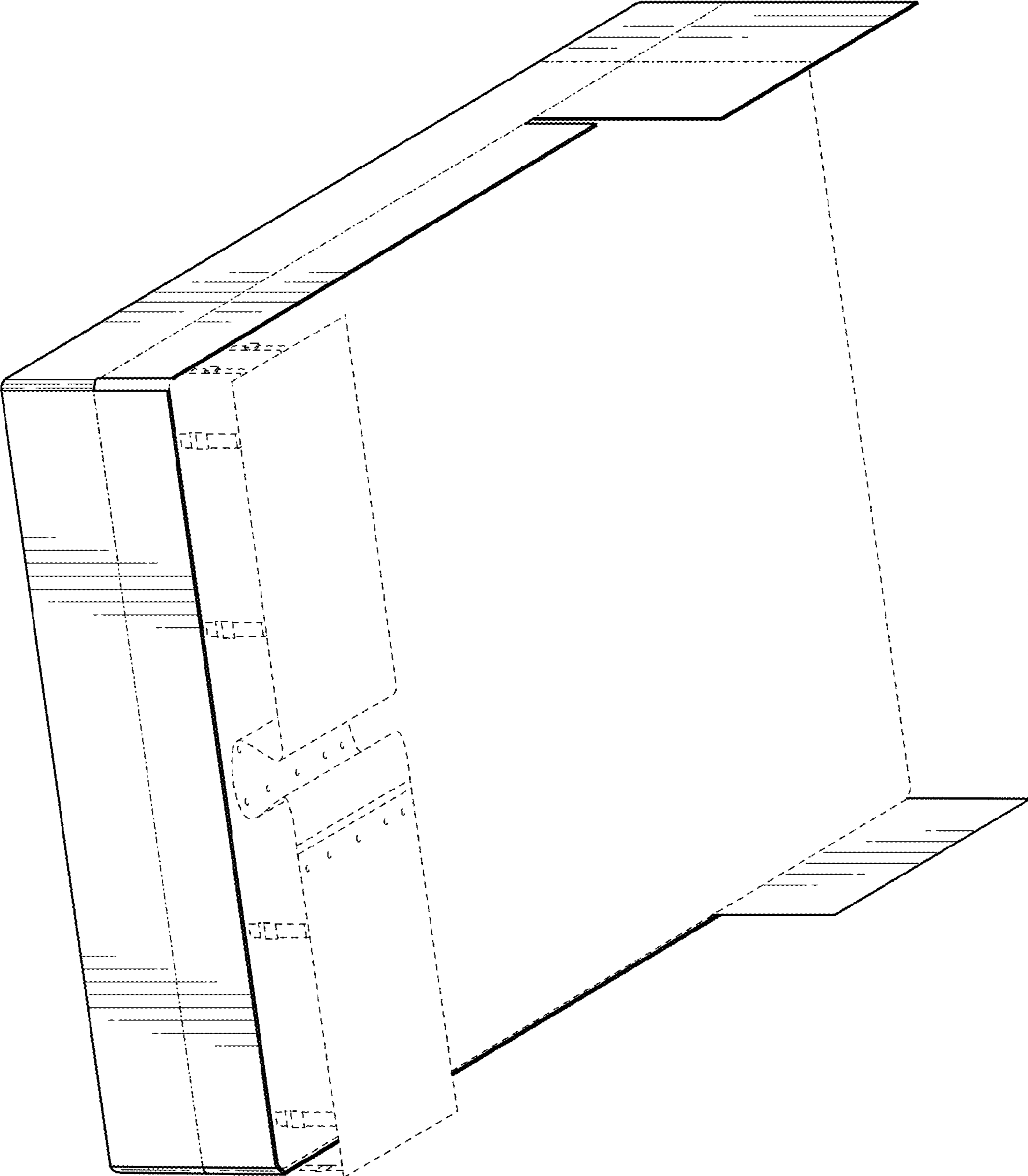


FIG. 2

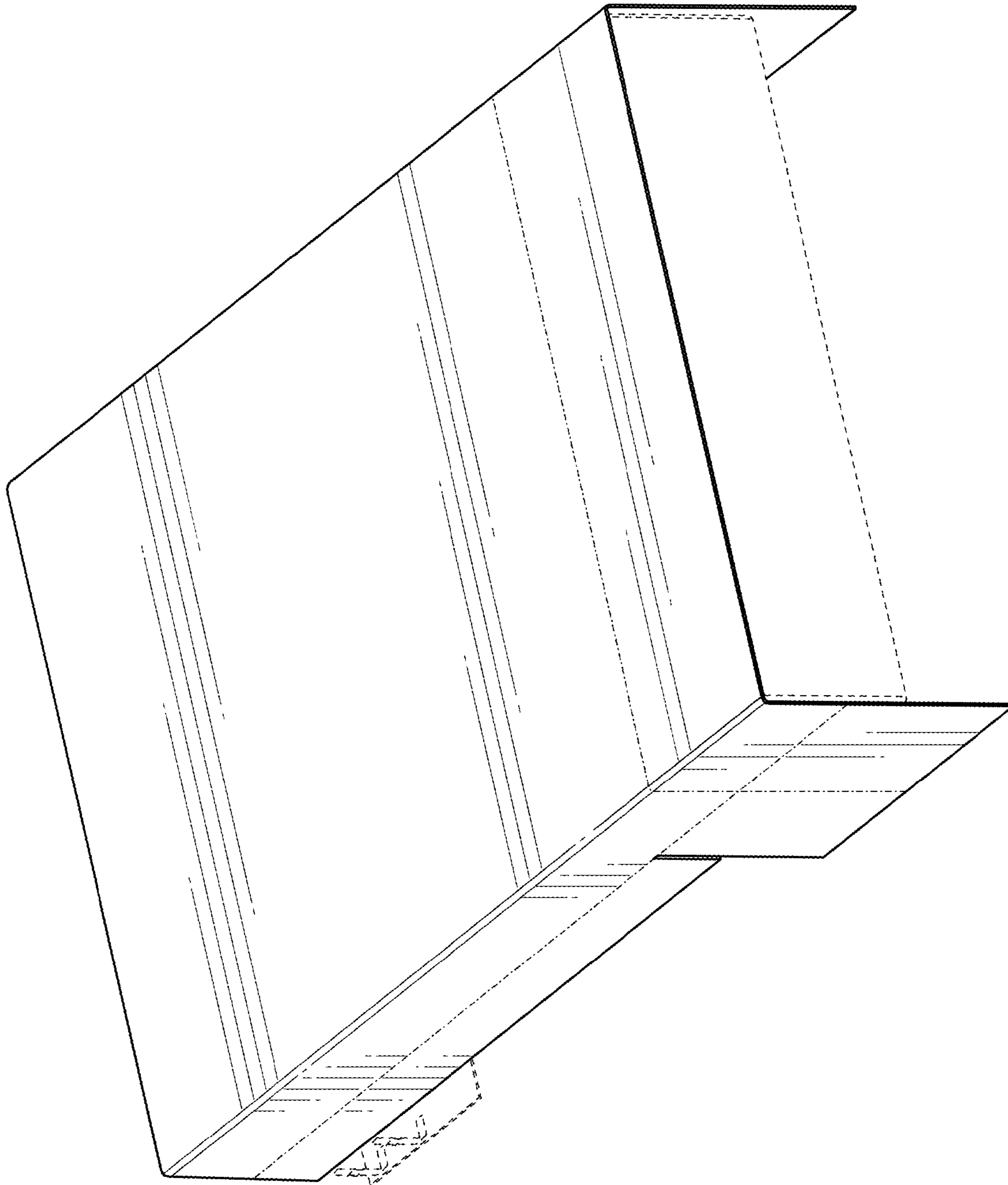


FIG. 3

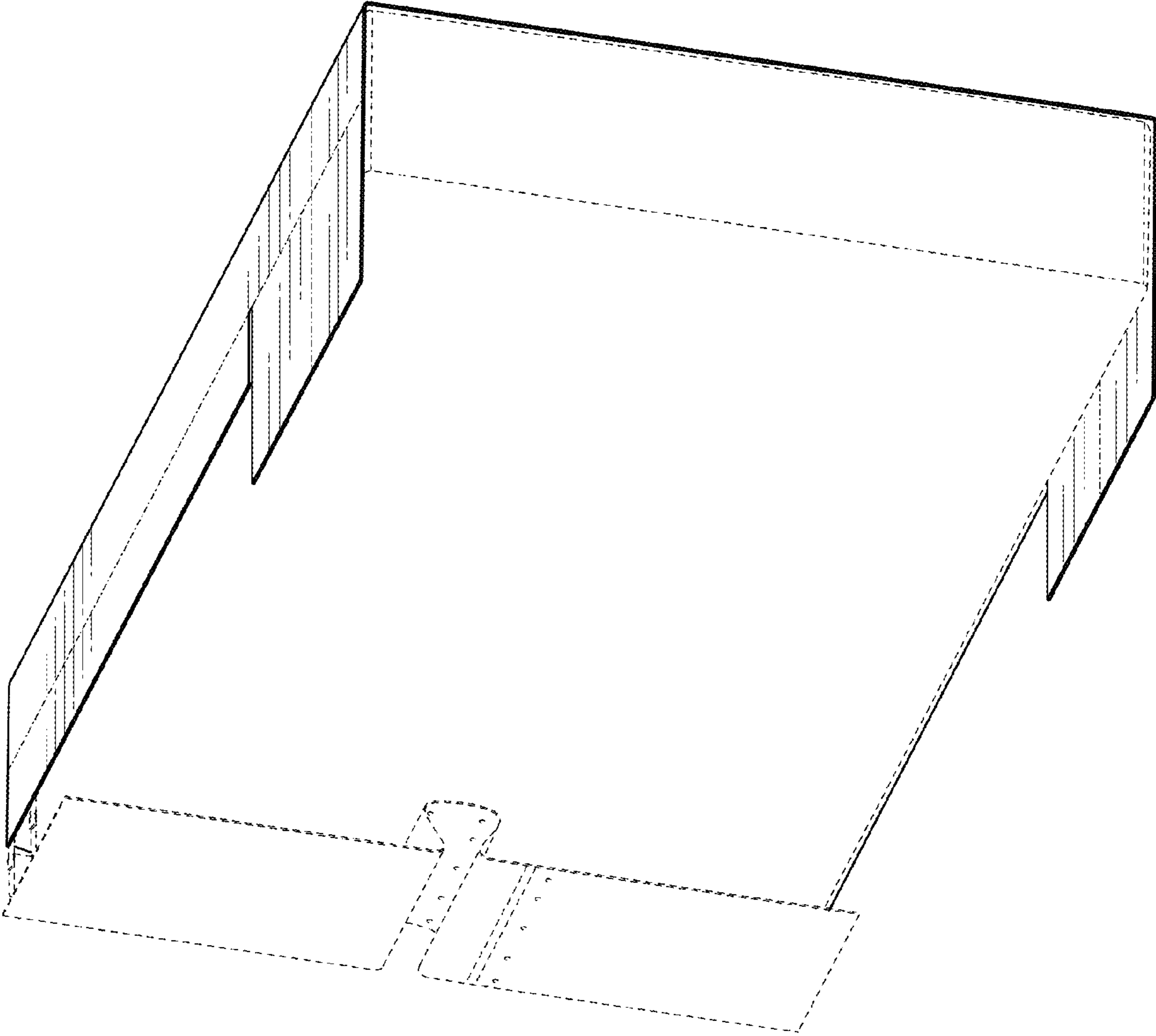


FIG. 4

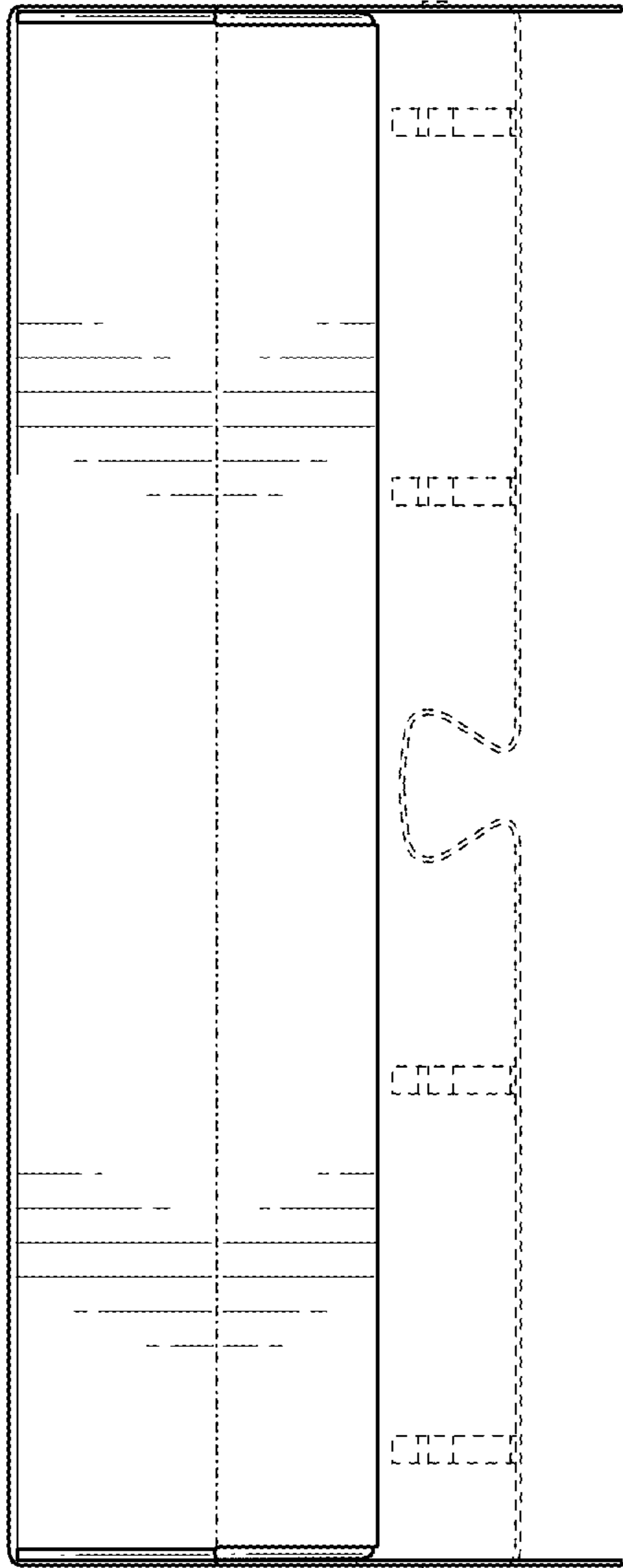


FIG. 5

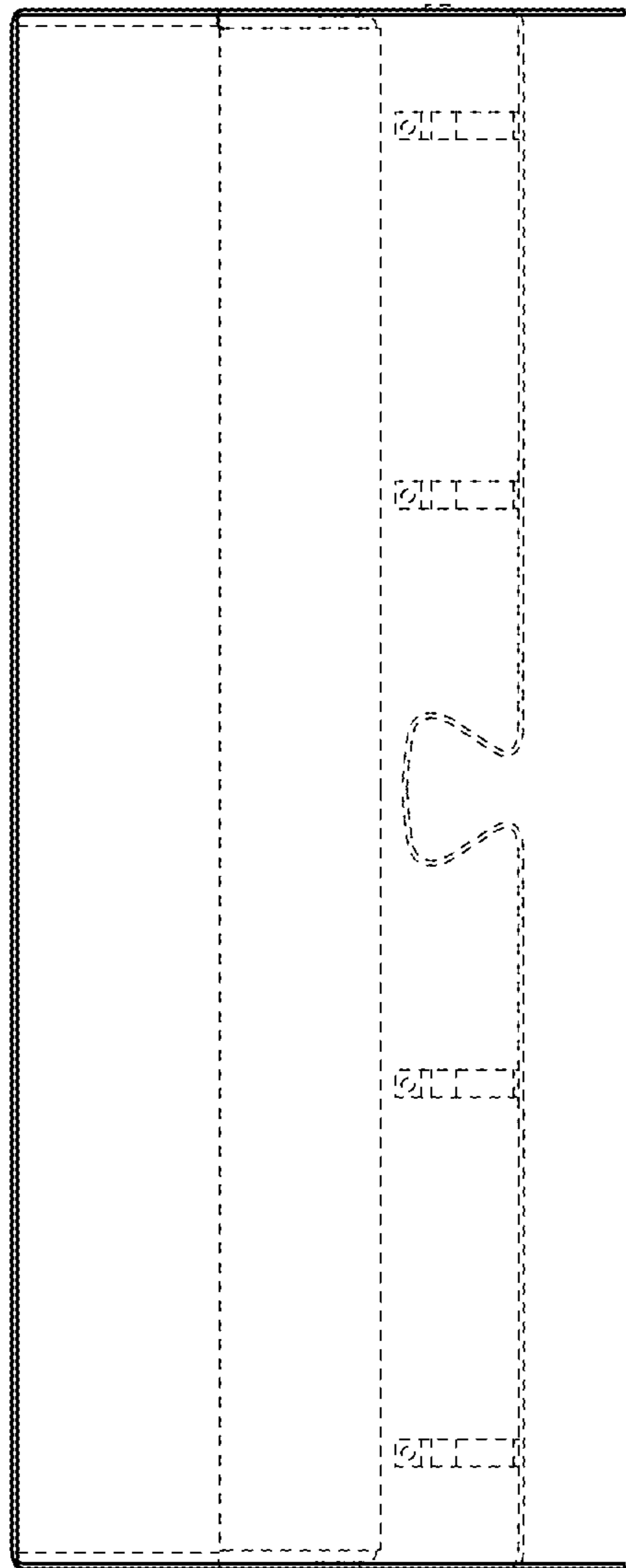


FIG. 6

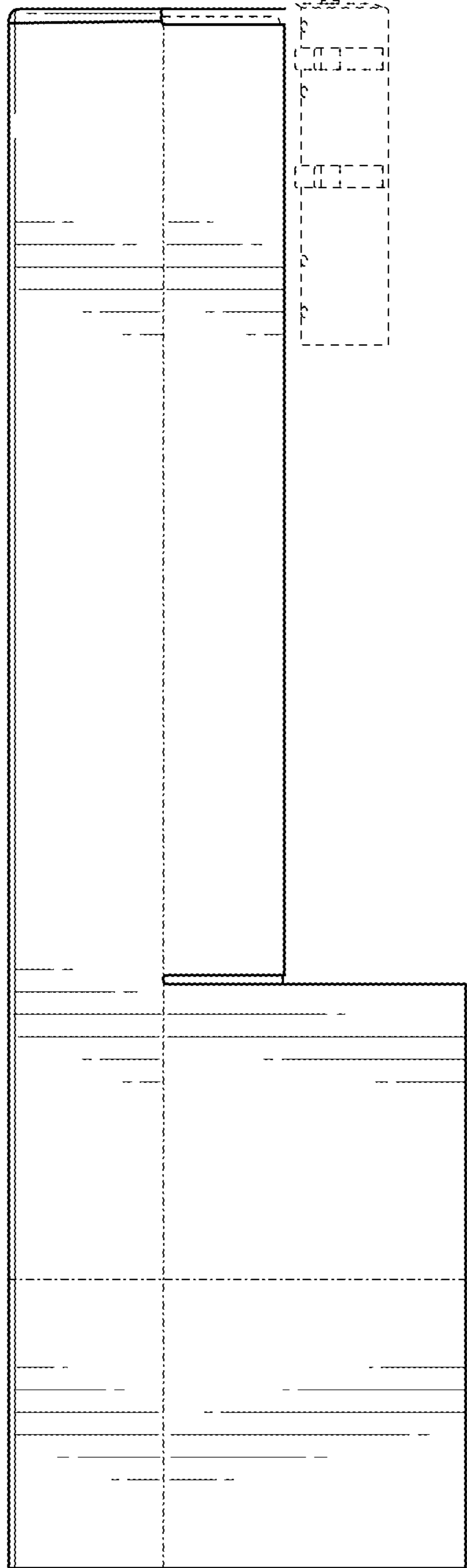


FIG. 7

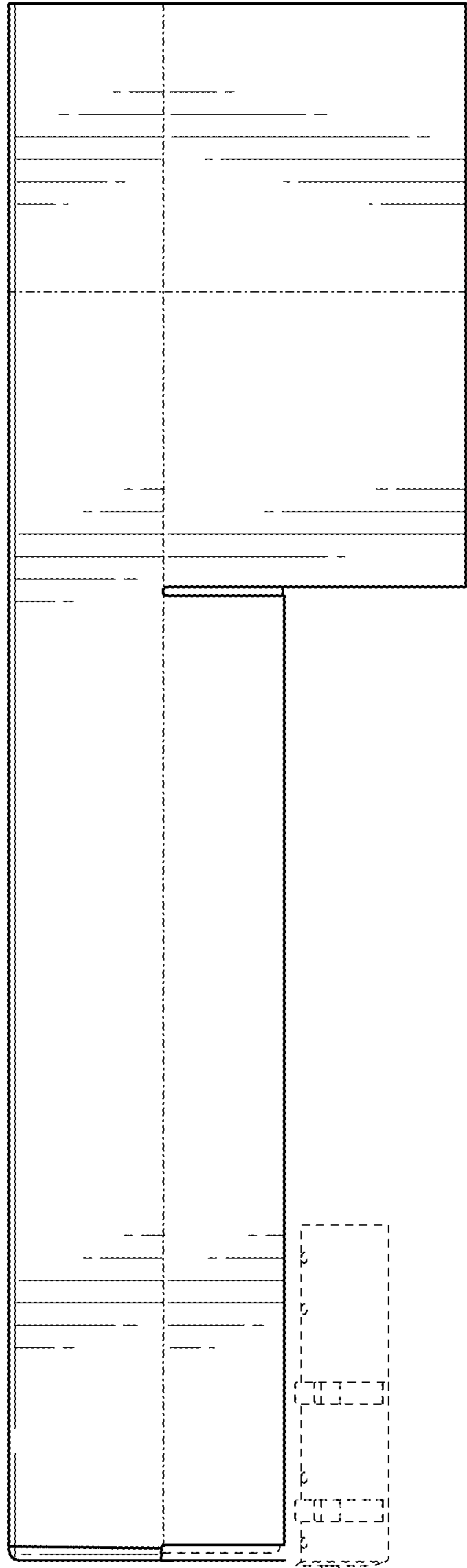


FIG. 8

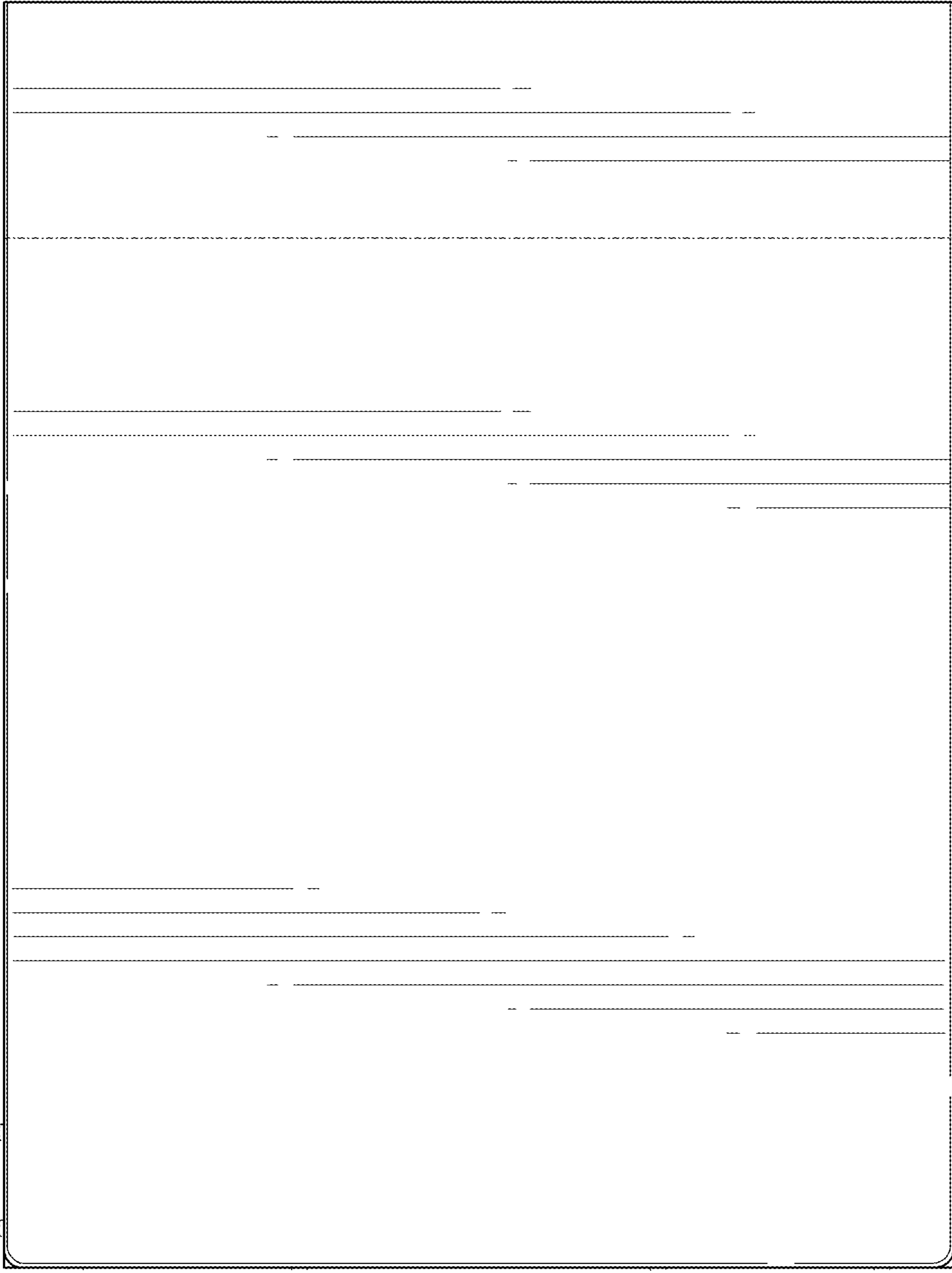


FIG. 9

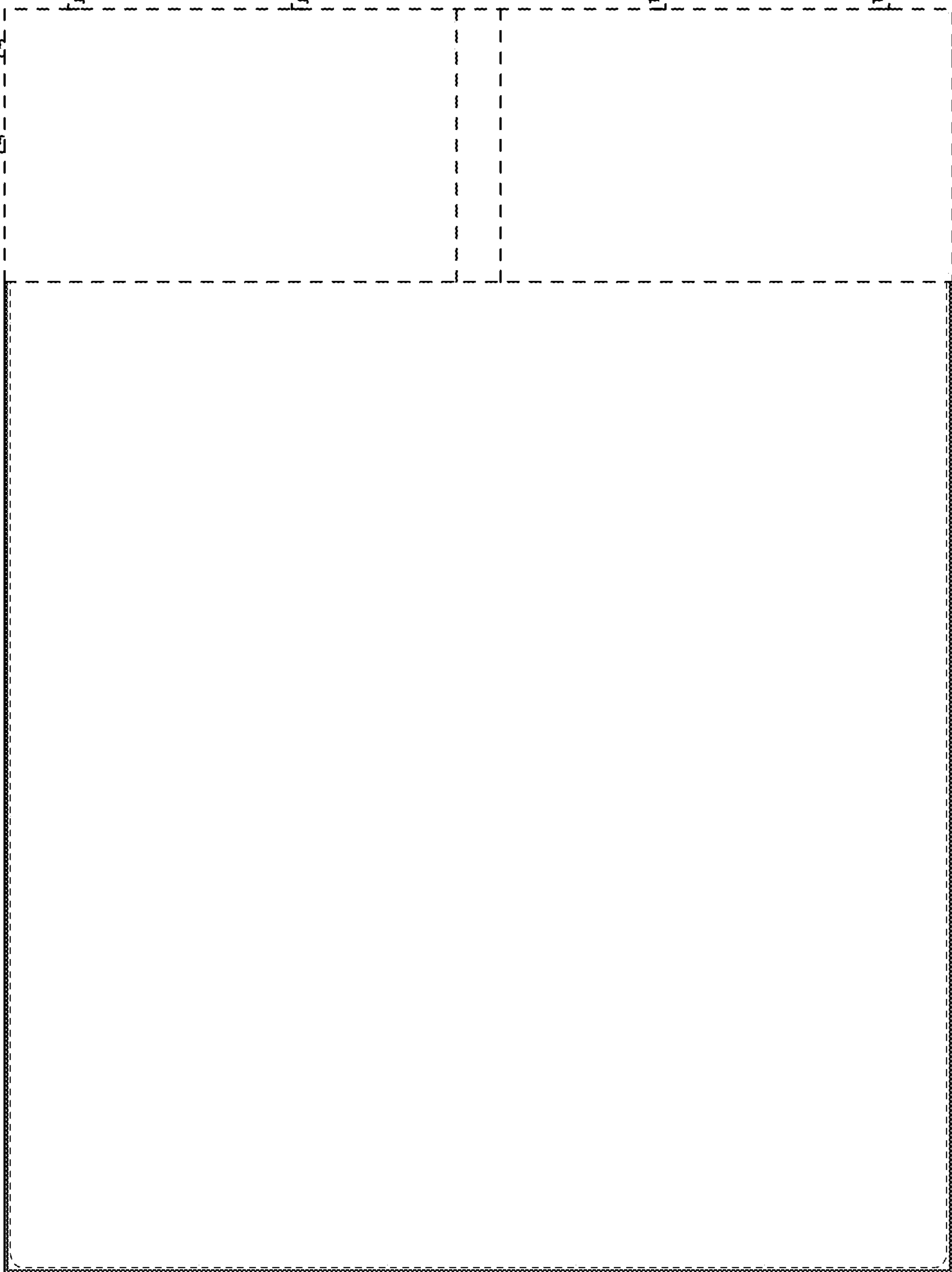


FIG. 10