



US00D979289S

(12) **United States Design Patent** (10) **Patent No.:** **US D979,289 S**
Cousineau et al. (45) **Date of Patent:** **** Feb. 28, 2023**

(54) **BACK SUPPORT**

FOREIGN PATENT DOCUMENTS

- (71) Applicant: **FKA Distributing Co., LLC**,
Commerce Township, MI (US)
- (72) Inventors: **Tiziano Niccolo Giuseppe Cousineau**,
Markham (CA); **Chaunta Johns**, West
Bloomfield, MI (US); **Amanda**
Beuckelaere, Royal Oak, MI (US)
- (73) Assignee: **FKA Distributing Co., LLC**,
Commerce Township, MI (US)
- (**) Term: **15 Years**
- (21) Appl. No.: **29/830,936**
- (22) Filed: **Mar. 16, 2022**

CN	105640186	A	6/2016
CN	303905069	S	11/2016
CN	304124110	S	5/2017
DE	202015008090	U1	12/2015
EP	26173256	B1	10/2014

OTHER PUBLICATIONS

HoMedics® Contouring Back Support in Black, bedbathandbeyond.com, Retrieved Date: Nov. 3, 2022, p. 1, from https://www.bedbathandbeyond.com/store/product/homedics-contouring-back-support/5646341?skuId=69772040&store=269&enginename=google&mcid=PS_googlelia_nonbrand_liahealthandbeautylowermid_local&product_id=69772040&adtype=&product_channel=local&adpos=&creative=615582123495&device=c&matchtype=&network=u&gclid=EAla1QobChMInJ-B4M6T-wlVjElyCh2wXA3pEAKYByABEgKI-fD_BwE&glsrc=aw.ds&pickup=true (Year: 2022).*

Cool Vent Cushion Mesh Back Lumbar Support Office Home Car Seat Chair Truck Seat, from walmart.com, Retrieved Date Feb. 10, 2022, https://www.walmart.com/ip/Cool-Vent-Cushion-Mesh-Back-Lumbar-Support-Office-Home-Car-Seat-Chair-Truck-Seat/406691516?wmlspartner=wlp&selectedSellerid=16214&&adid=2222222227324288408&w0=&w1=g&w2=c&w3=472245526747&w4=pla-848779416455&w5=9059726&w6=&w7=&w8=&w9=pla&w10=120798572&w11=online&w12=406691516&veh=sem&gclid=EAla1OobcshMl_M6dt-L29QIVj4v1Ch3m-wrdEAQYCiABEglf4fD_BwE&glsrc=aw.ds (Year: 2022).

* cited by examiner

Primary Examiner — Mimosa De
(74) *Attorney, Agent, or Firm* — Brooks Kushman P.C.

(57) **CLAIM**

The ornamental design for a back support, as shown and described.

DESCRIPTION

FIG. 1 is a perspective view of a back support according to an embodiment;
FIG. 2 is a right side view of the back support of FIG. 1;
FIG. 3 is a left side view of the back support of FIG. 1;

(Continued)

Related U.S. Application Data

- (62) Division of application No. 29/710,905, filed on Oct. 28, 2019, now Pat. No. Des. 950,275.
- (51) **LOC (14) Cl.** **06-09**
- (52) **U.S. Cl.**
USPC **D6/601**
- (58) **Field of Classification Search**
USPC D6/601, 716, 716.4
CPC .. A47C 7/021; A47C 7/40; A47C 7/42; A47C
7/44; A47C 7/46; A47C 7/425; A47C
16/005; A47C 7/74; A47C 7/742; A47G
9/109

See application file for complete search history.

(56) **References Cited**

U.S. PATENT DOCUMENTS

2,804,912	A	9/1957	Pickard	
D341,053	S	11/1993	Hassel et al.	
D659,252	S	5/2012	Batiste et al.	
8,261,384	B2	9/2012	Batiste et al.	
D833,176	S	11/2018	Wang	
D851,961	S	6/2019	Rifelj	
D950,275	S	* 5/2022	Cousineau D6/601

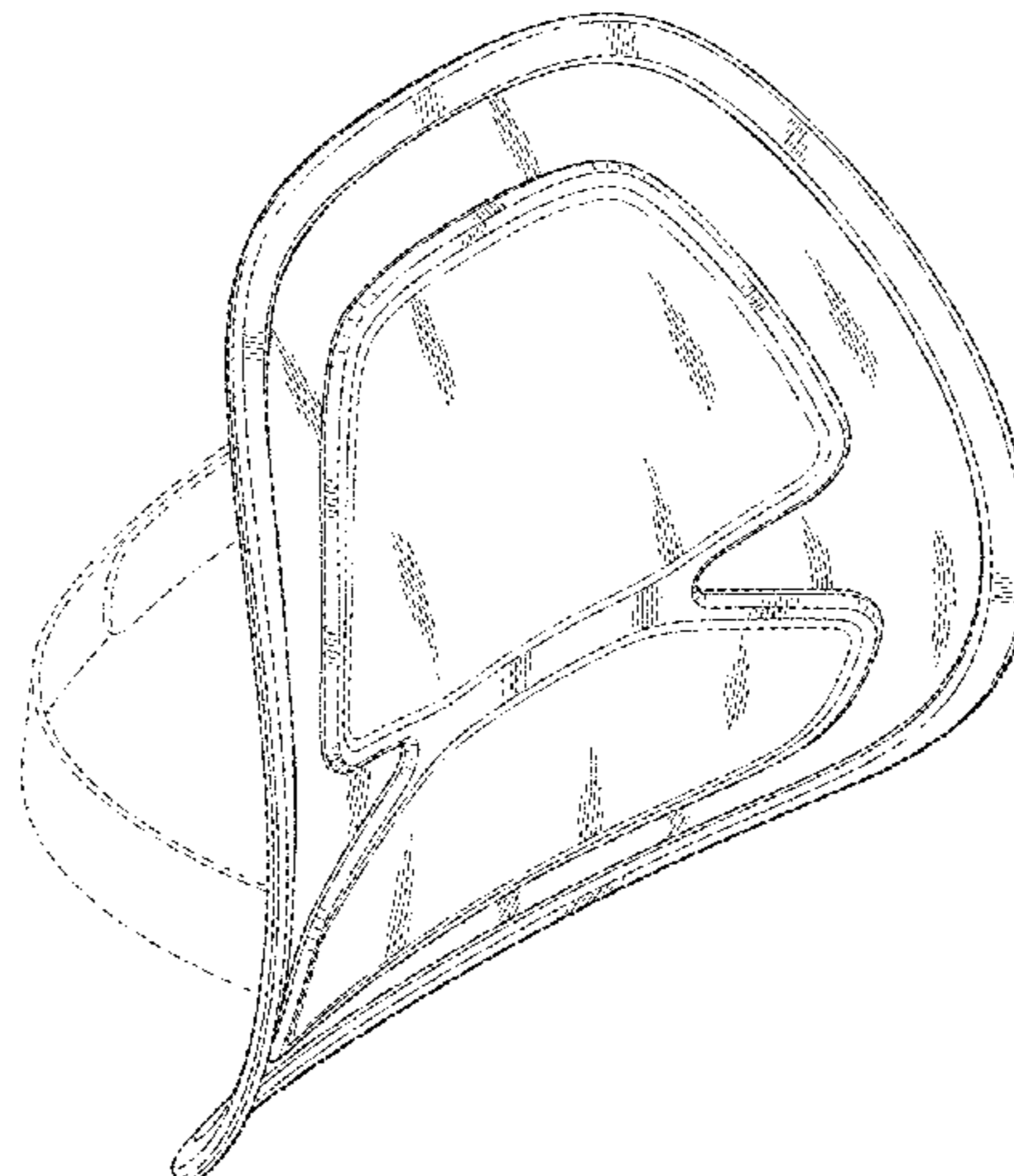


FIG. 4 is a front view of the back support of FIG. 1;
FIG. 5 is a rear view of the back support of FIG. 1;
FIG. 6 is a top view of the back support of FIG. 1; and,
FIG. 7 is a bottom view of the back support of FIG. 1.
The broken lines show portions of the article not claimed
and form no part of the claimed design.

1 Claim, 5 Drawing Sheets

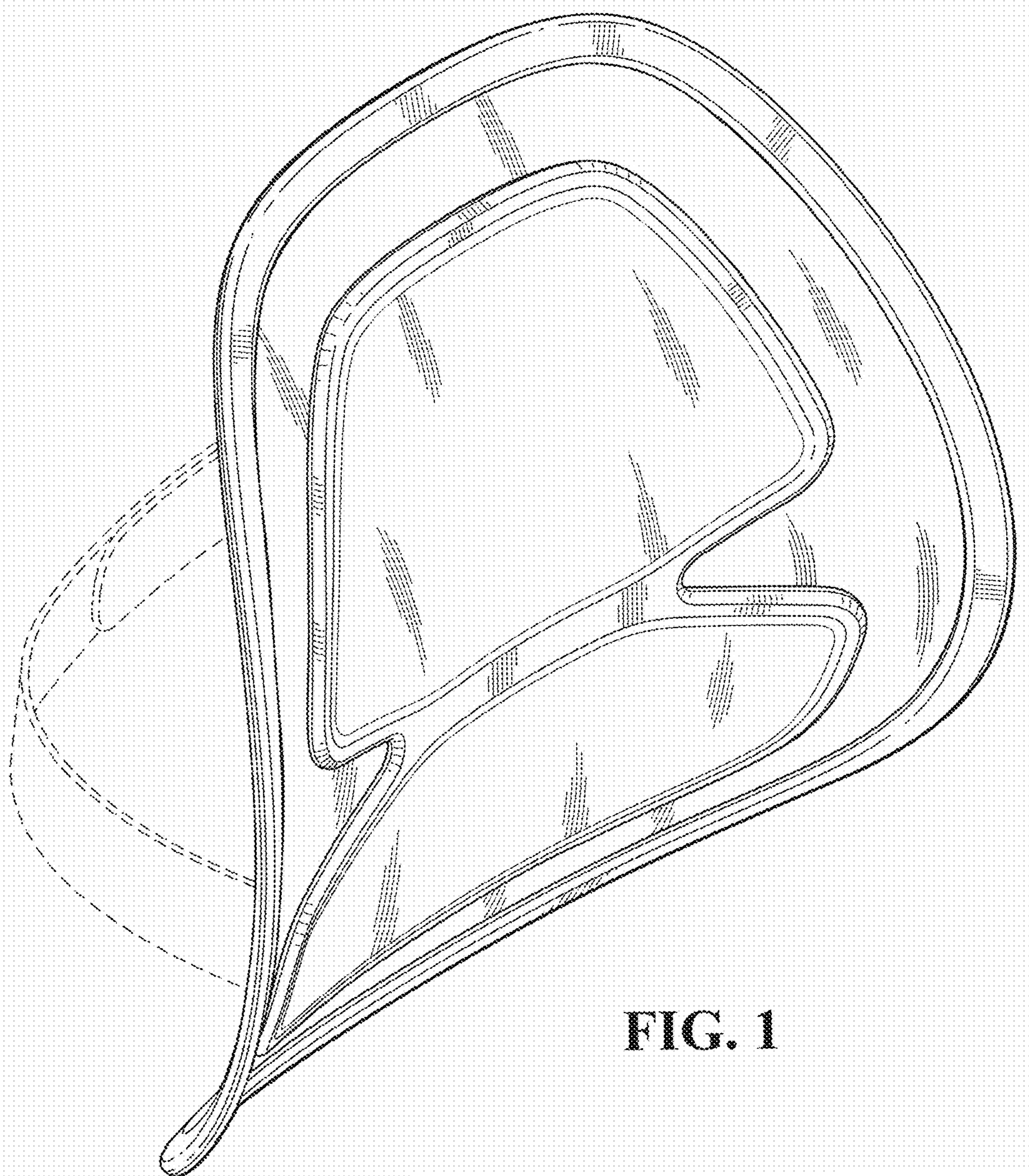


FIG. 1

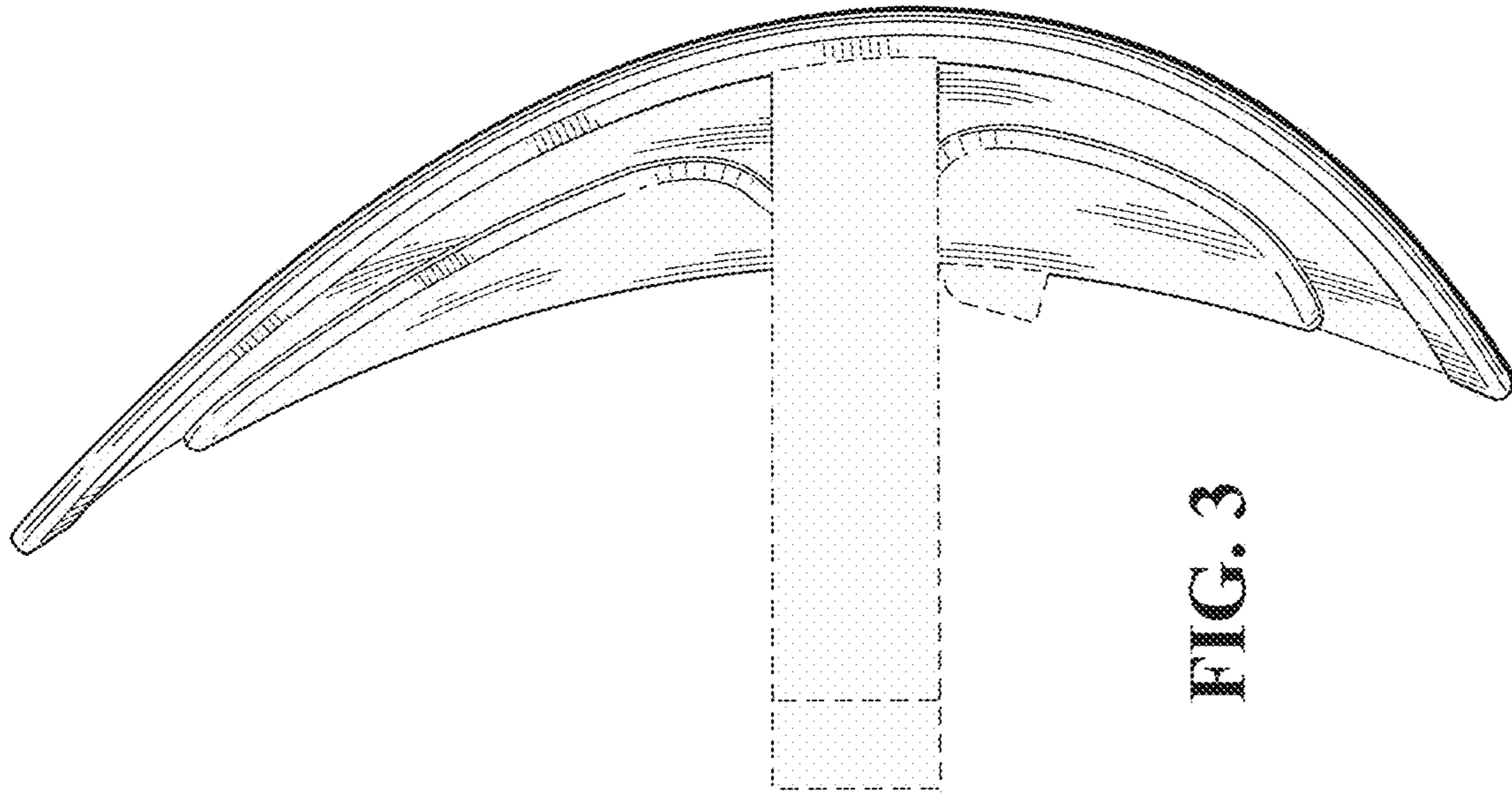


FIG. 3

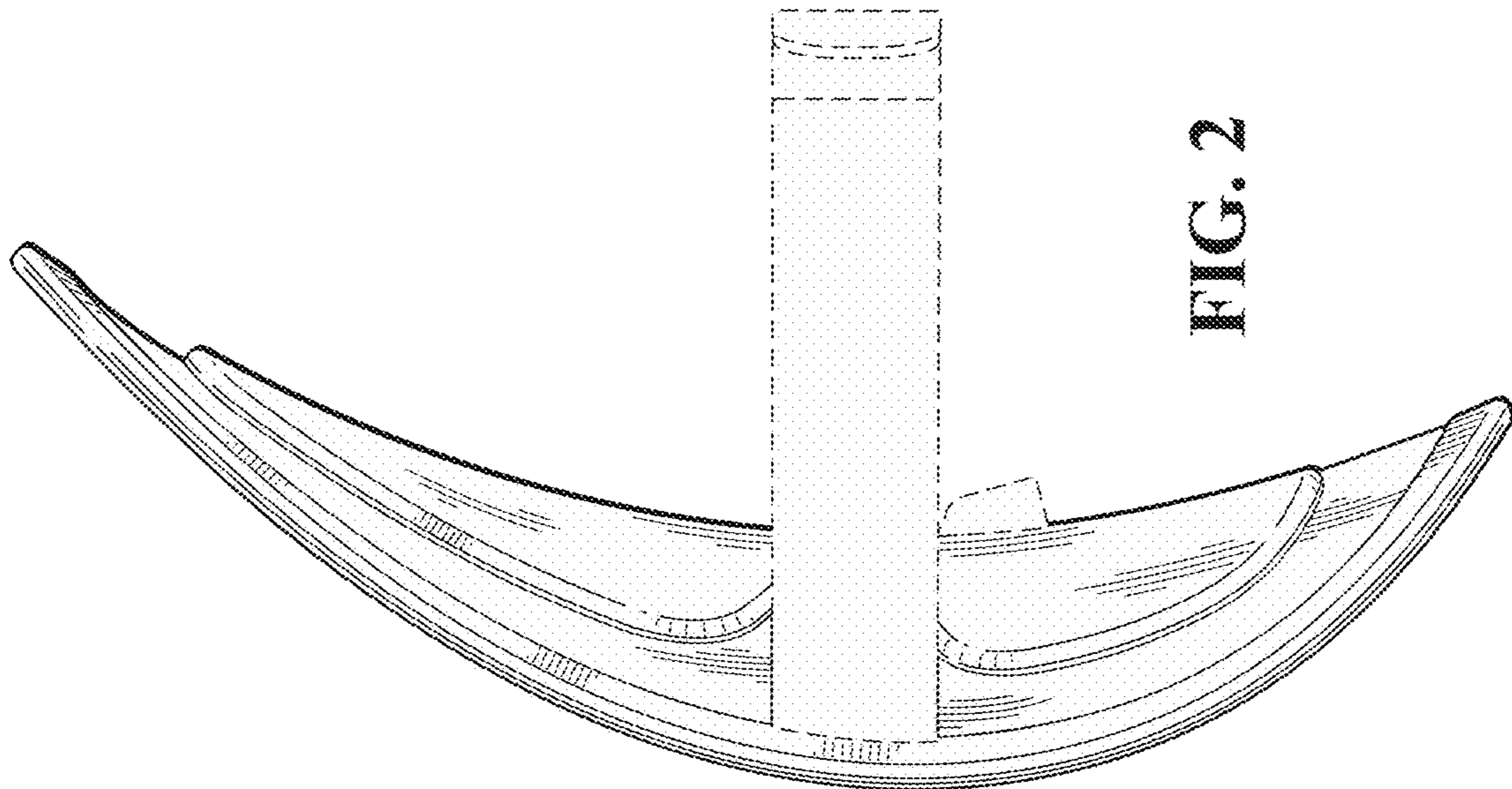


FIG. 2

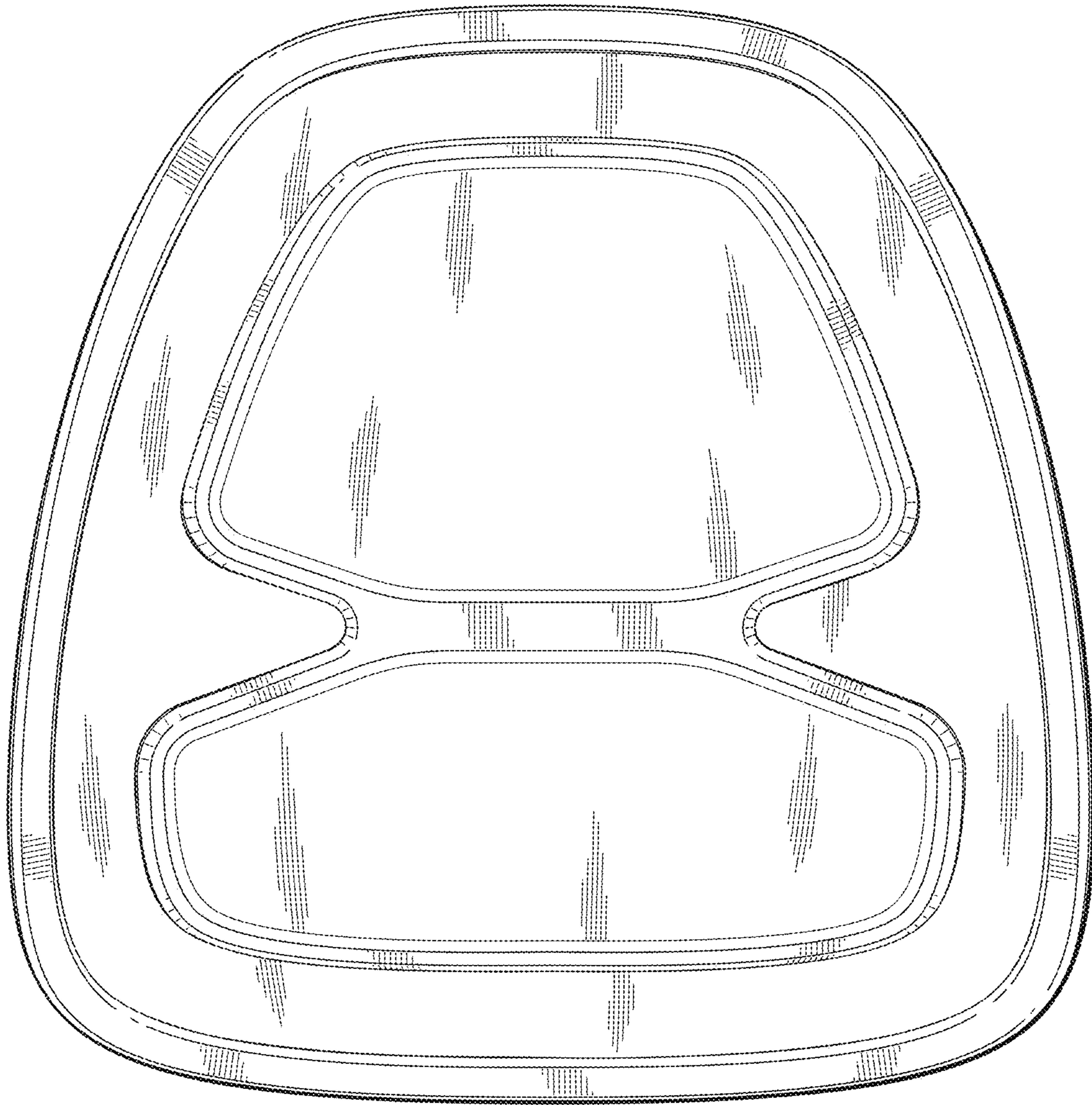


FIG. 4

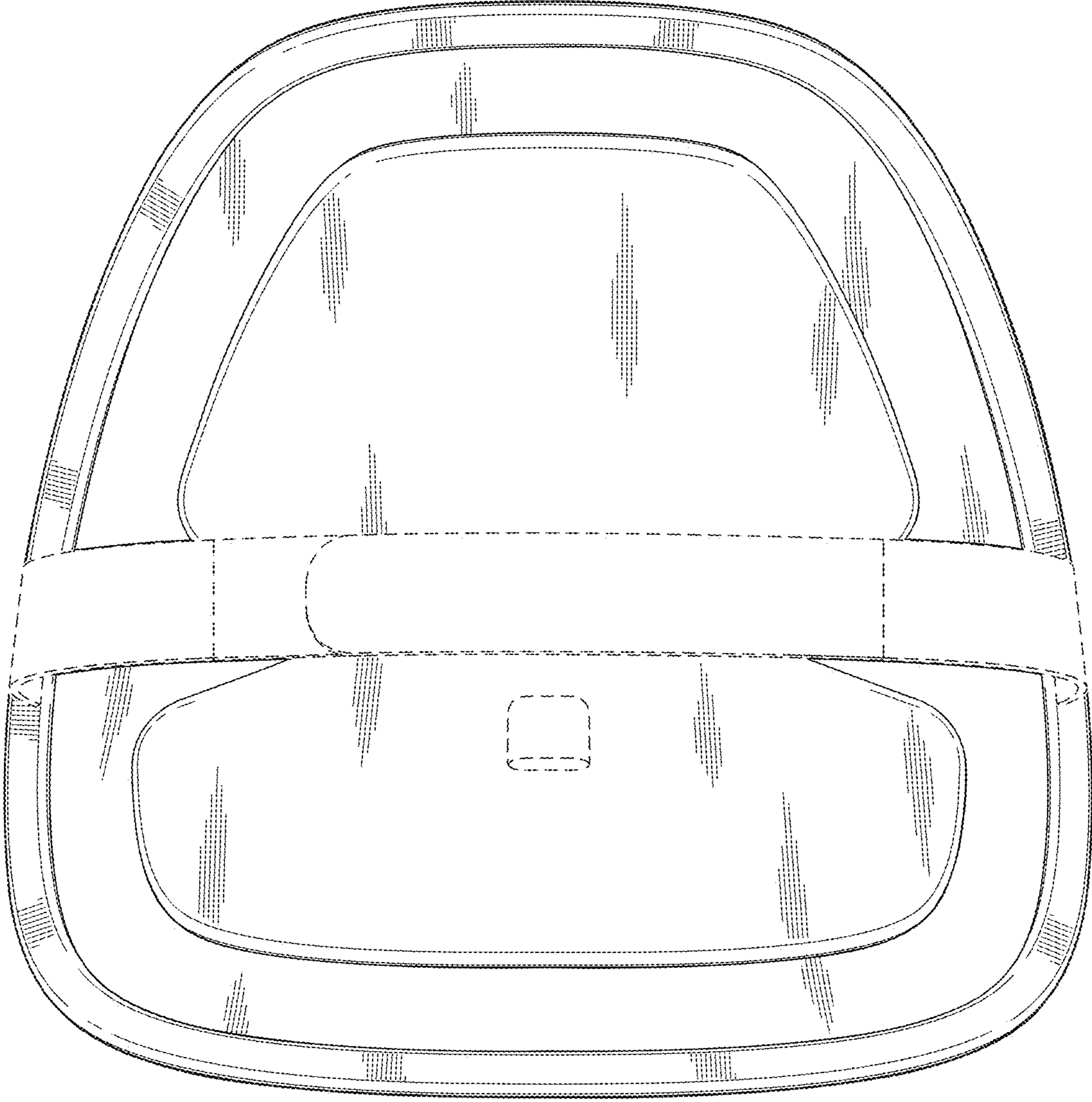


FIG. 5

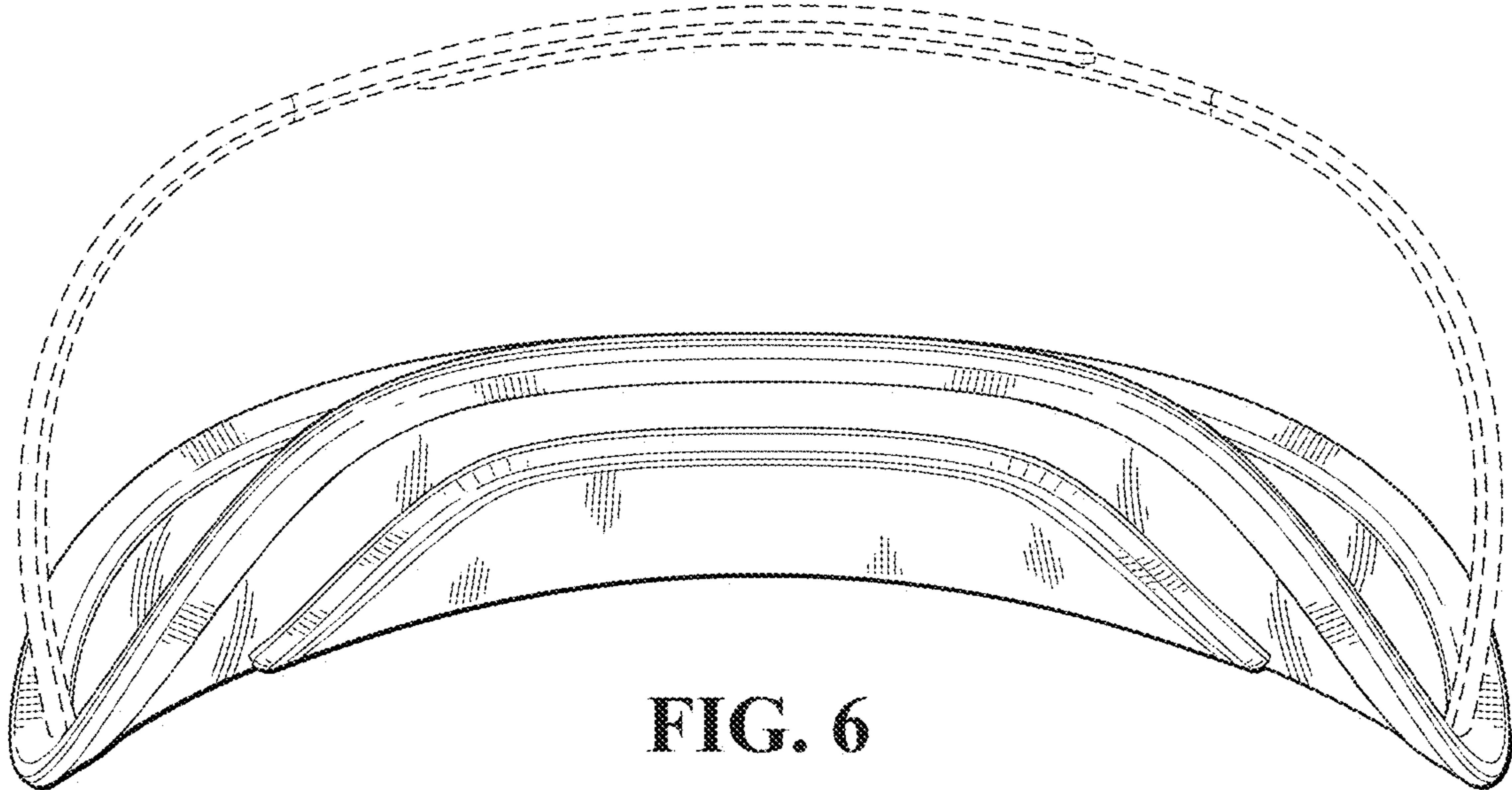


FIG. 6

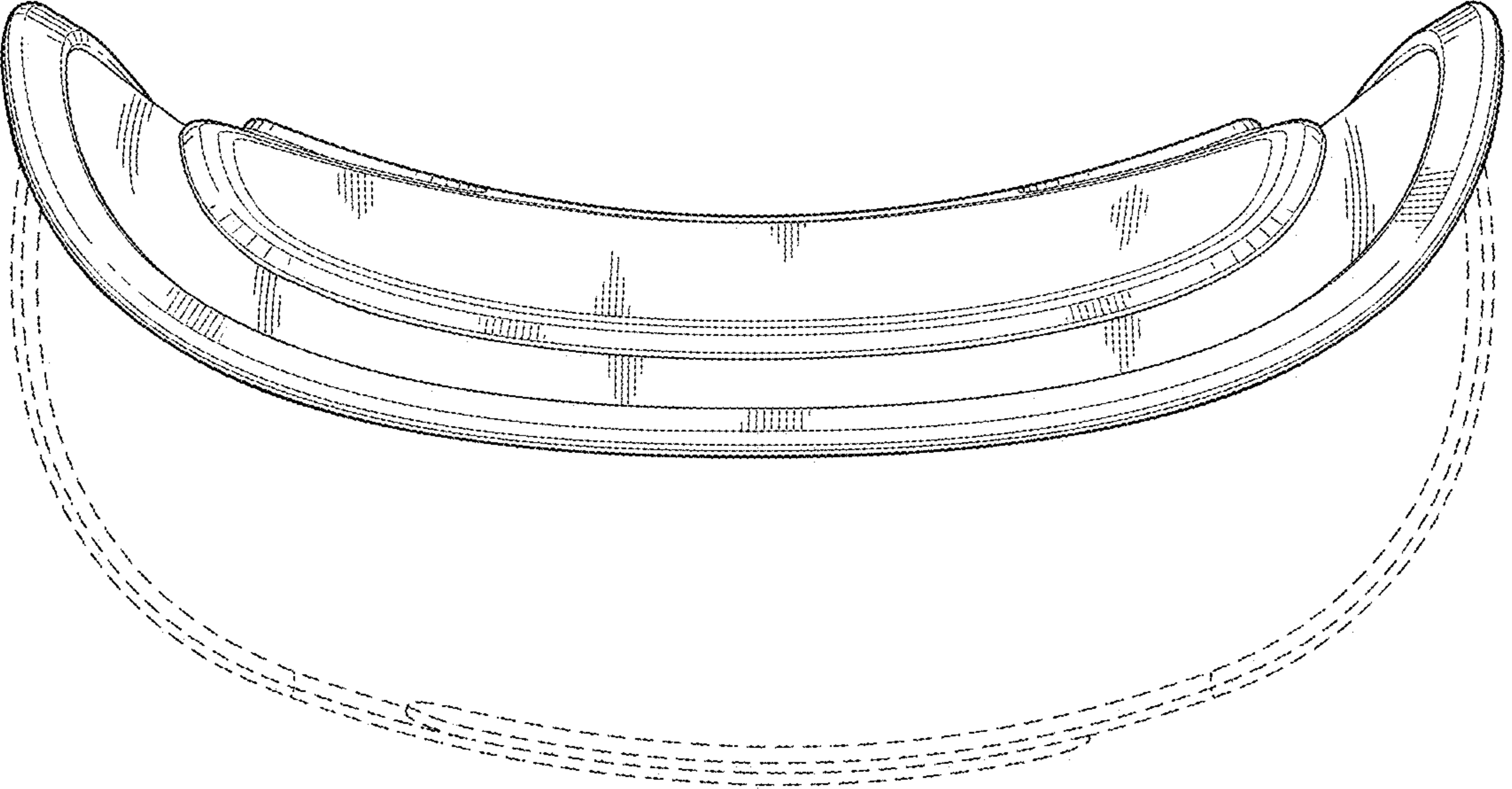


FIG. 7