



US00D979284S

(12) **United States Design Patent** (10) **Patent No.:** **US D979,284 S**
Gass et al. (45) **Date of Patent:** **** Feb. 28, 2023**

- (54) **FLUID DISPENSER COVERING**
- (71) Applicant: **WELLA INTERNATIONAL OPERATIONS SWITZERLAND SÀRL**, Petit-Lancy (CH)
- (72) Inventors: **Ann-Marie Gass**, Darmstadt (DE); **Hauke Schormair**, Griesheim (DE); **Massimo Morini**, Bad Soden (DE)
- (73) Assignee: **WELLA INTERNATIONAL OPERATIONS SWITZERLAND SÀRL**, Petit-Lancy (CH)
- (**) Term: **15 Years**
- (21) Appl. No.: **29/765,515**
- (22) Filed: **Jan. 8, 2021**
- (51) **LOC (14) Cl.** **23-08**
- (52) **U.S. Cl.**
USPC **D6/545**
- (58) **Field of Classification Search**
USPC D6/524, 542-545, 518, 519, 522;
D7/306, 312, 313, 321, 322, 391, 397,
D7/398, 307, 309, 600.1, 601, 619.1;
D23/208, 234, 286; D24/128, 234;
D28/38, 54.1; D20/1; D8/71; D9/455
CPC A47G 23/0258; B05B 11/00412; B05B
11/3047; A47K 5/1211
See application file for complete search history.

D332,670 S * 1/1993 McFarland D28/38
D341,520 S * 11/1993 LaBelle D15/199
5,263,611 A 11/1993 Trippen
(Continued)

FOREIGN PATENT DOCUMENTS

CA 2076863 A1 9/1991
CA 2547135 A1 5/2005
(Continued)

OTHER PUBLICATIONS

Here's How We Keep Our Products Sustainable, available in blog.wella.com, published Apr. 10, 2021 Year 2021 [online], Retrieved on Jul. 11, 2022 from URL: <https://blog.wella.com/our-approach-to-sustainable-packaging> (Year: 2021).*
(Continued)

Primary Examiner — Vy N Koenig
Assistant Examiner — Michelle M Reeves
(74) *Attorney, Agent, or Firm* — Dennemeyer & Associates LLC; Victoria Friedman

(57) **CLAIM**

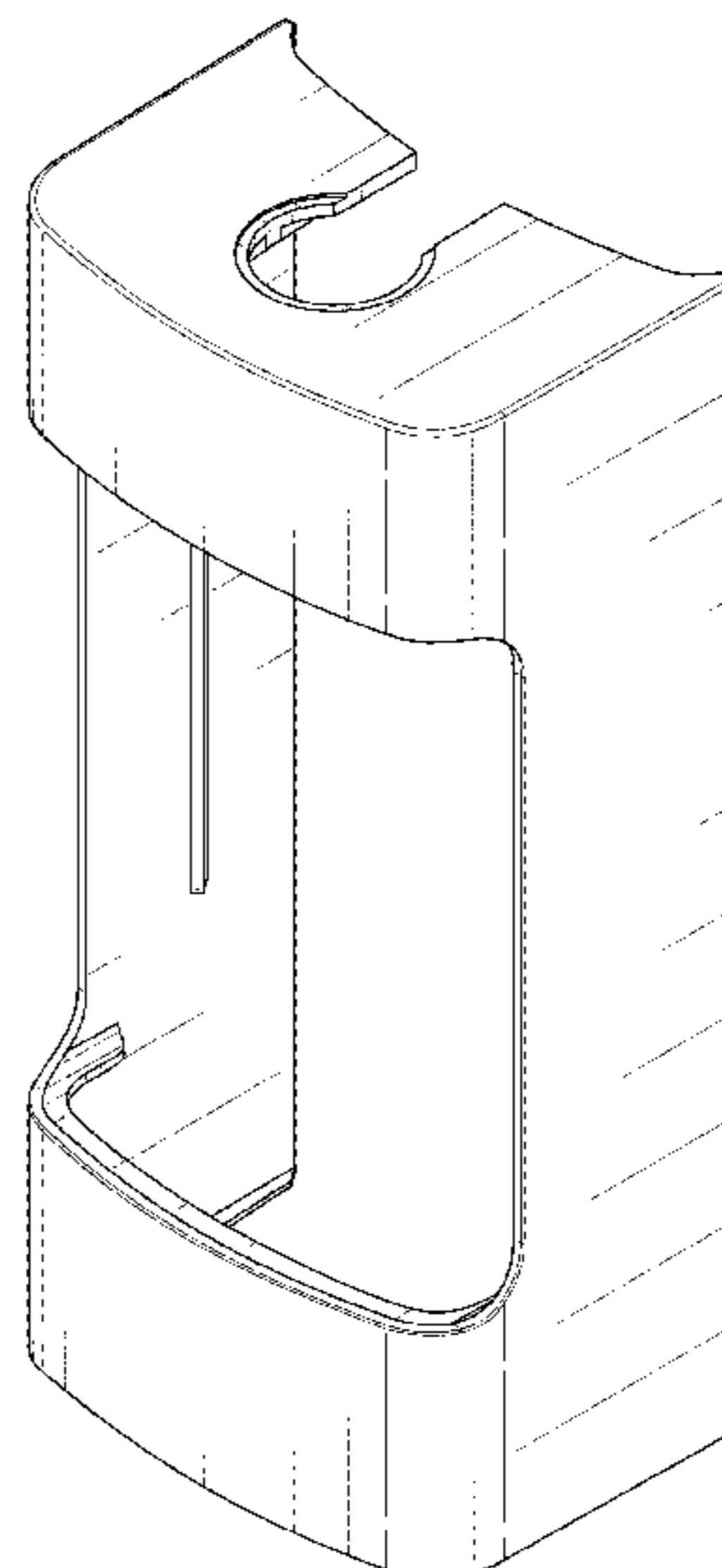
The ornamental design for a fluid dispenser covering, as shown and described.

DESCRIPTION

FIG. 1 is a front-right perspective view of a fluid dispenser covering showing our new design.
FIG. 2 is a front view thereof.
FIG. 3 is a back view thereof.
FIG. 4 is a left side view thereof.
FIG. 5 is a right side view thereof.
FIG. 6 is a top view thereof; and,
FIG. 7 is a bottom view thereof.
The shade lines show surface contour and not surface ornamentation.

1 Claim, 6 Drawing Sheets

- (56) **References Cited**
U.S. PATENT DOCUMENTS
3,540,628 A 11/1970 Trosch
4,457,455 A 7/1984 Meshberg
4,615,476 A * 10/1986 Hobbs A47K 5/1211
222/153.09
4,763,818 A 8/1988 Stefano et al.
D299,897 S * 2/1989 Rasmussen D7/619.1
4,848,598 A 7/1989 McKinney
D304,670 S * 11/1989 Johnson D7/400



(56)

References Cited

U.S. PATENT DOCUMENTS

5,328,055 A 7/1994 Battle
 5,343,901 A 9/1994 Meshberg
 5,465,872 A 11/1995 Gueret
 D376,949 S * 12/1996 Barriault D7/619.1
 5,680,966 A 10/1997 Johnson
 6,116,466 A 9/2000 Gueret
 6,412,663 B1 * 7/2002 Adamson, II A47G 23/0258
 222/321.9
 6,510,965 B1 1/2003 Decottignies et al.
 6,619,505 B1 9/2003 Decottignies et al.
 D498,357 S * 11/2004 Smith D3/229
 D561,885 S 2/2008 Furner et al.
 D568,660 S * 5/2008 Hodgson D6/545
 D616,683 S * 6/2010 Law D6/545
 D619,835 S 7/2010 Goeking et al.
 7,770,762 B2 8/2010 Arghyris et al.
 D643,152 S * 8/2011 Peele D28/38
 D667,665 S 9/2012 DelGigante et al.
 8,668,178 B2 * 3/2014 Ziaylek F17C 13/084
 224/570
 9,101,948 B2 * 8/2015 Baron B05B 11/3045
 9,573,151 B1 2/2017 Miller et al.
 D846,300 S * 4/2019 Morales D6/545
 D847,634 S * 5/2019 Hatakeyama D9/455
 10,342,391 B2 * 7/2019 Beckerman A47F 1/085
 D862,107 S 10/2019 Subera et al.
 2003/0141317 A1 * 7/2003 Vance A47G 23/0258
 222/321.7
 2004/0112918 A1 6/2004 Decottignies et al.
 2013/0341354 A1 12/2013 Archer
 2017/0015545 A1 1/2017 Derby et al.
 2017/0113236 A1 4/2017 Taberlet et al.
 2020/0324936 A1 * 10/2020 Fabozzi B65D 47/00

FOREIGN PATENT DOCUMENTS

CA 2695292 A1 9/2010
 CN 201647355 U 11/2010
 CN 209160393 U 7/2019
 DE 60022730 T2 6/2006
 DE 102019000187 A1 4/2021
 DM 092286 10/2016
 FR 2697508 A1 5/1994
 GB 6117766 * 2/2021
 JP H0648466 A 2/1994
 JP 2572337 5/1998
 JP 2000085867 A 3/2000
 JP 2000238869 A 9/2000

JP 1131926 1/2002
 JP 2002179099 A 6/2002
 JP 2003012067 A 1/2003
 JP 3097498 U 8/2003
 JP 1153073 8/2005
 JP 1153074 8/2005
 JP 1248592 8/2005
 JP 2006256699 A 9/2006
 JP 2007015742 A 1/2007
 JP 2007015743 A 1/2007
 JP 2007297075 A 11/2007
 JP 2008213909 A 9/2008
 JP 2008213932 A 9/2008
 JP 3152346 U 7/2009
 JP 4379898 B1 10/2009
 JP 2009269651 A 11/2009
 JP 3165984 U 1/2011
 JP 2011189984 A 9/2011
 JP 2012153415 A 8/2012
 JP 1475430 7/2013
 JP 2019123530 A 7/2019
 KR 200418214 Y1 6/2006
 WO 03084842 A3 10/2003
 WO 2003084842 A2 10/2003
 WO 2018193946 A1 10/2018
 WO 2020117770 A1 6/2020

OTHER PUBLICATIONS

Patentability Search Report—"Fluid Dispenser Covering."
 "Smart Holder" for flexible packaging with pump dispenser, Worldstar
 Global Packaging Awards, Website: <https://www.worldstar.org/winner/2019/%E2%80%9Csmart-holder%E2%80%9D-flexible-packaging-pump-dispenser-kao-corporation-yoshino-kogyosho-coldt%C2%A0>.
 "Sonic Eco Soap dispenser", Eco Soap Design Study, Dieline—
 Design, Branding & Packaging Inspiration, Website: <https://thedieline.com/blog/2011/2/3/eco-soap-design-study.html?>
 "Eco-pump Refill Dispenser", YD Yanko Design, Website: <https://www.yankodesign.com/2010/01/20/smart-dispenser/>.
 "Nemera Sof®Bag® airless system", Nemera, Website: http://www.nemera.net/wp-content/uploads/2014/06/Nemera_WP_Dermal-SofBag_Nov20151.pdf.
 "PacPlus Clean Clic Dispenser", PacPlus, Website: <https://www.pacplus.co.jp/en/products/dispenser.php>.
 "Trust Hand Sanitiser Pouch", Trust Hygiene Services LTD, Website: <https://www.trusthygiene.co.uk/blog/convert-your-bulk-soap-system/>.
 "Bangor Dosing with dispenser", Aliminter, Website: <https://www.aliminter.com/media/pdf/POUCHES%20CATALOGUE.pdf>.

* cited by examiner

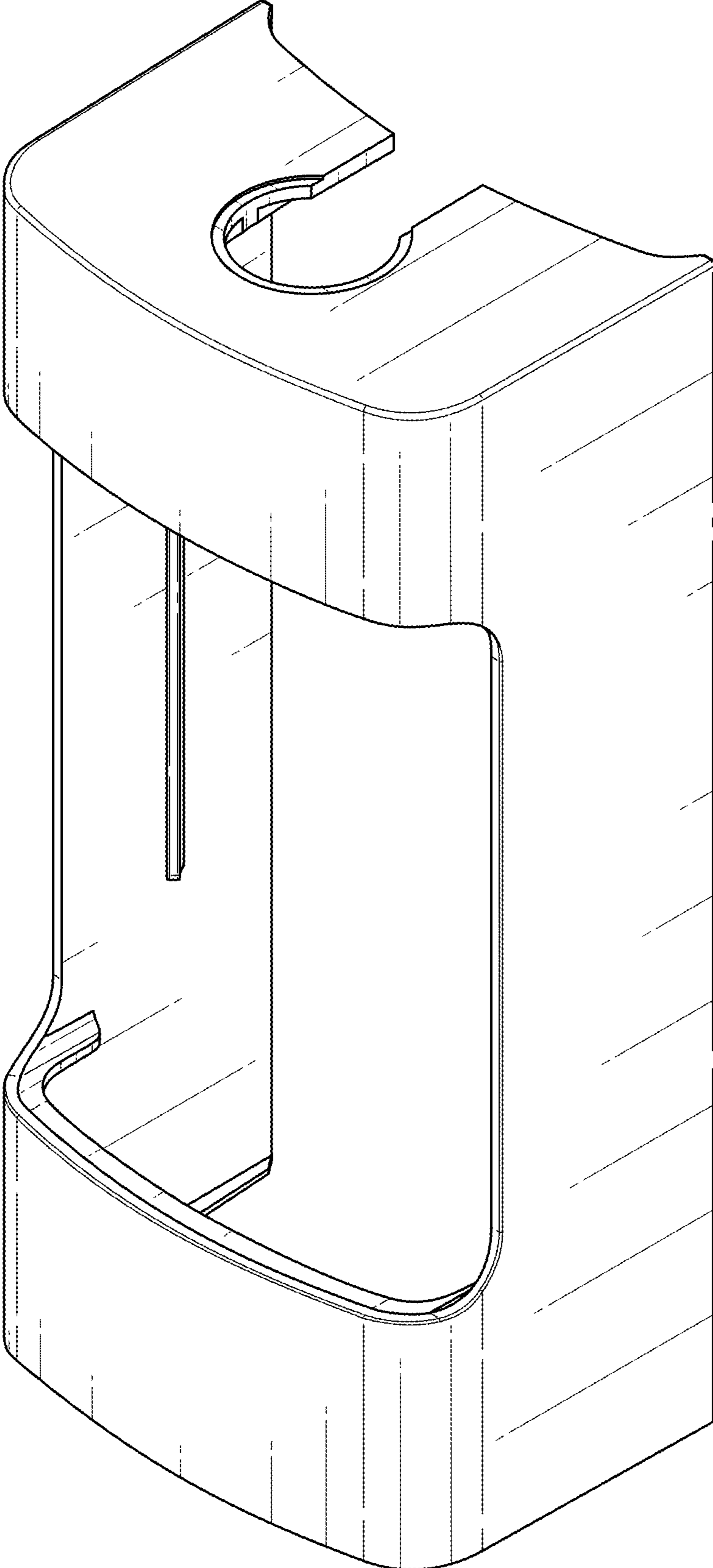


FIG. 1

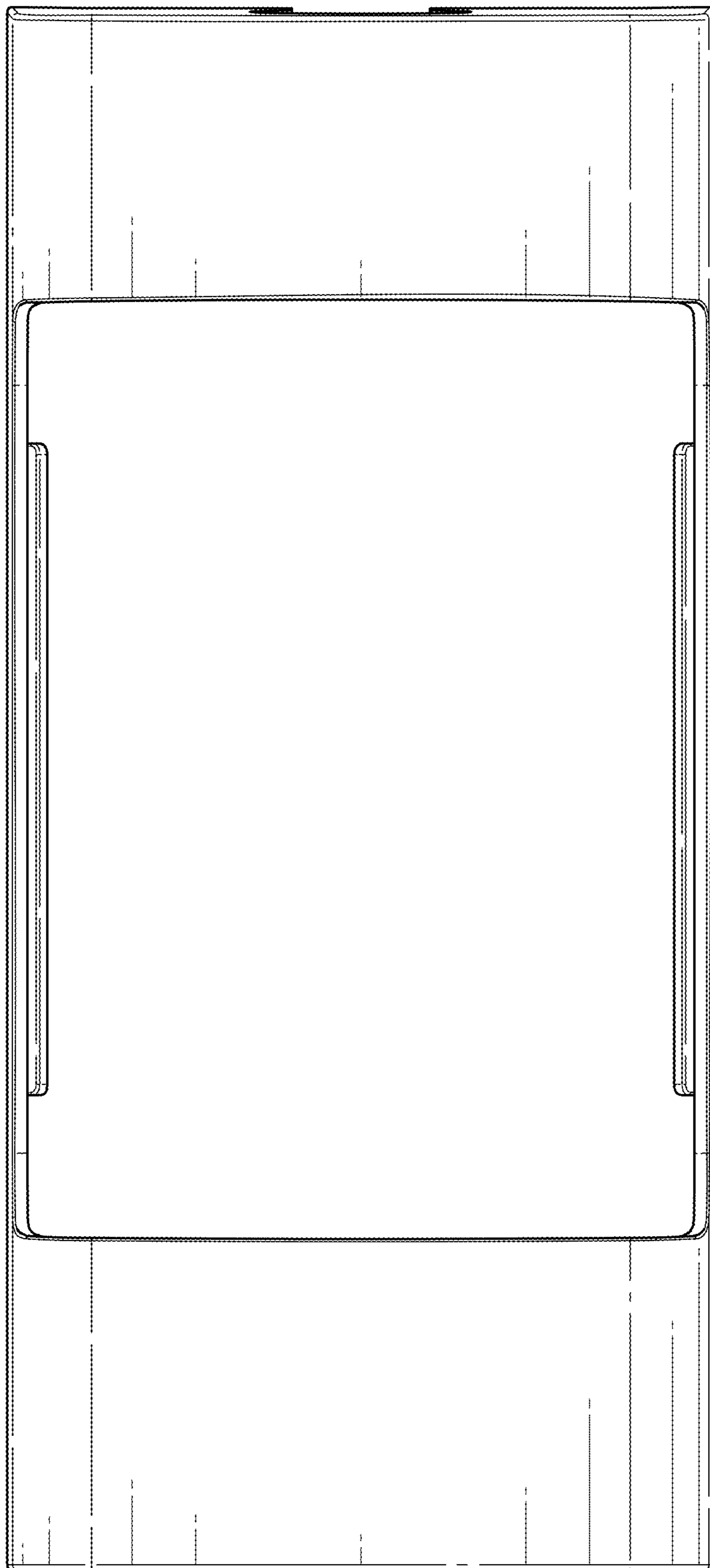


FIG. 2

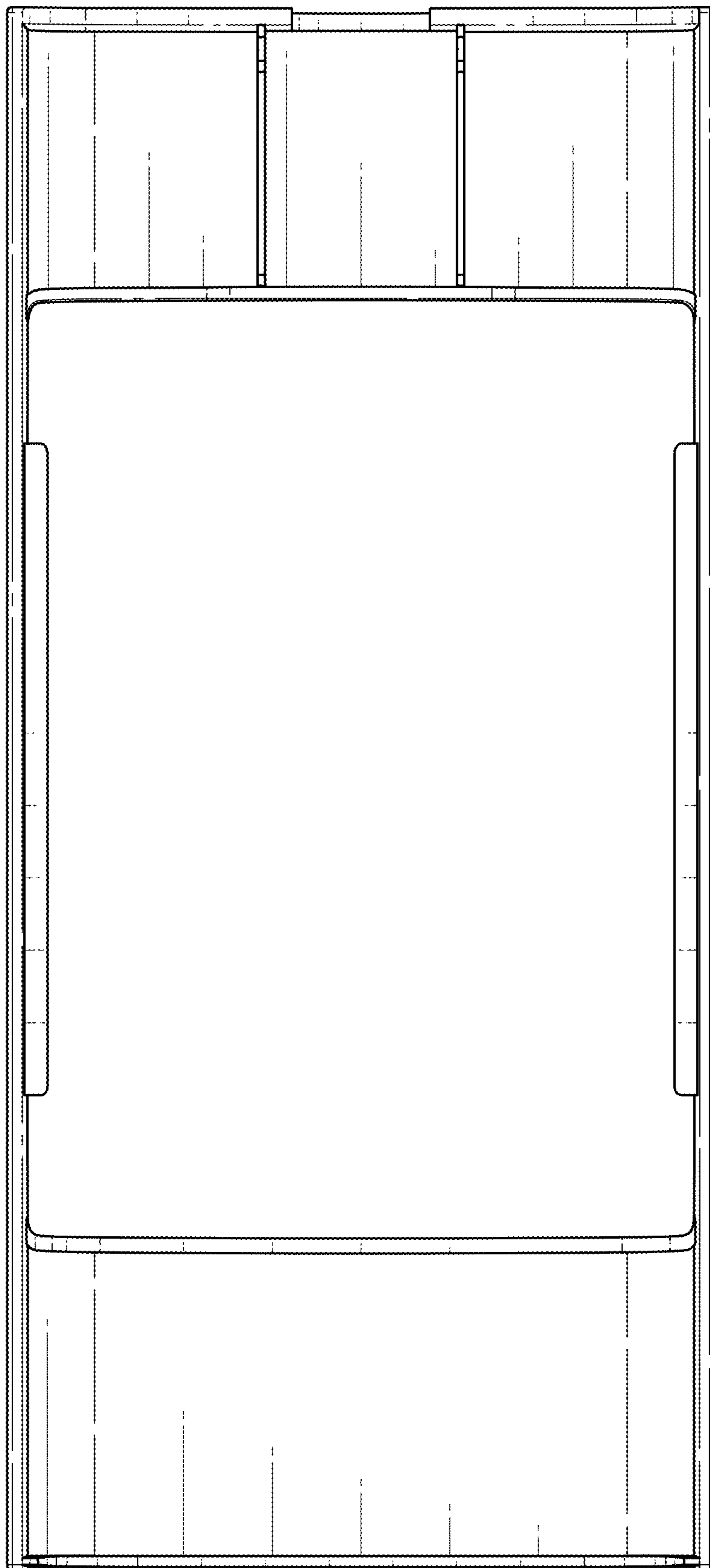


FIG. 3

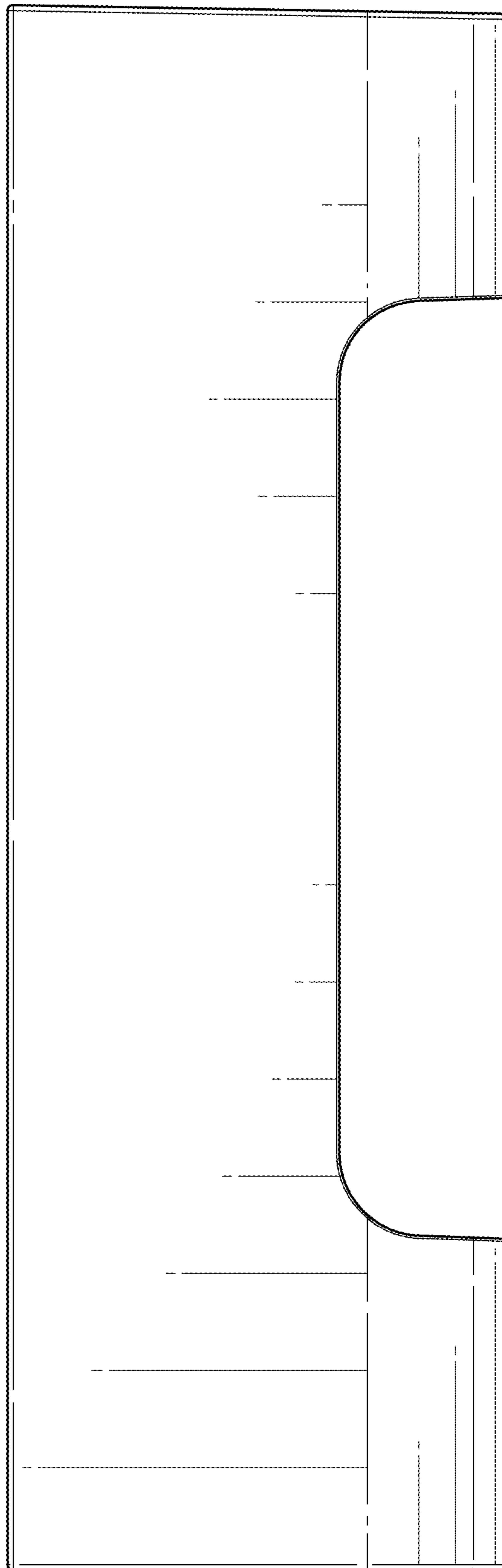


FIG. 4

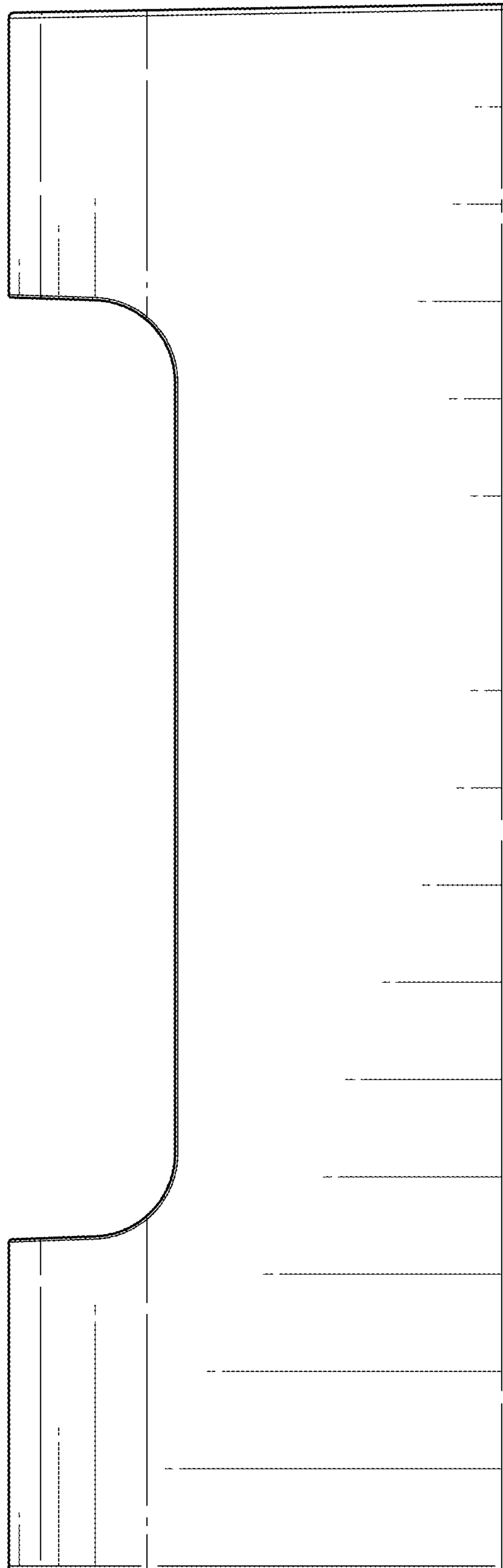


FIG. 5

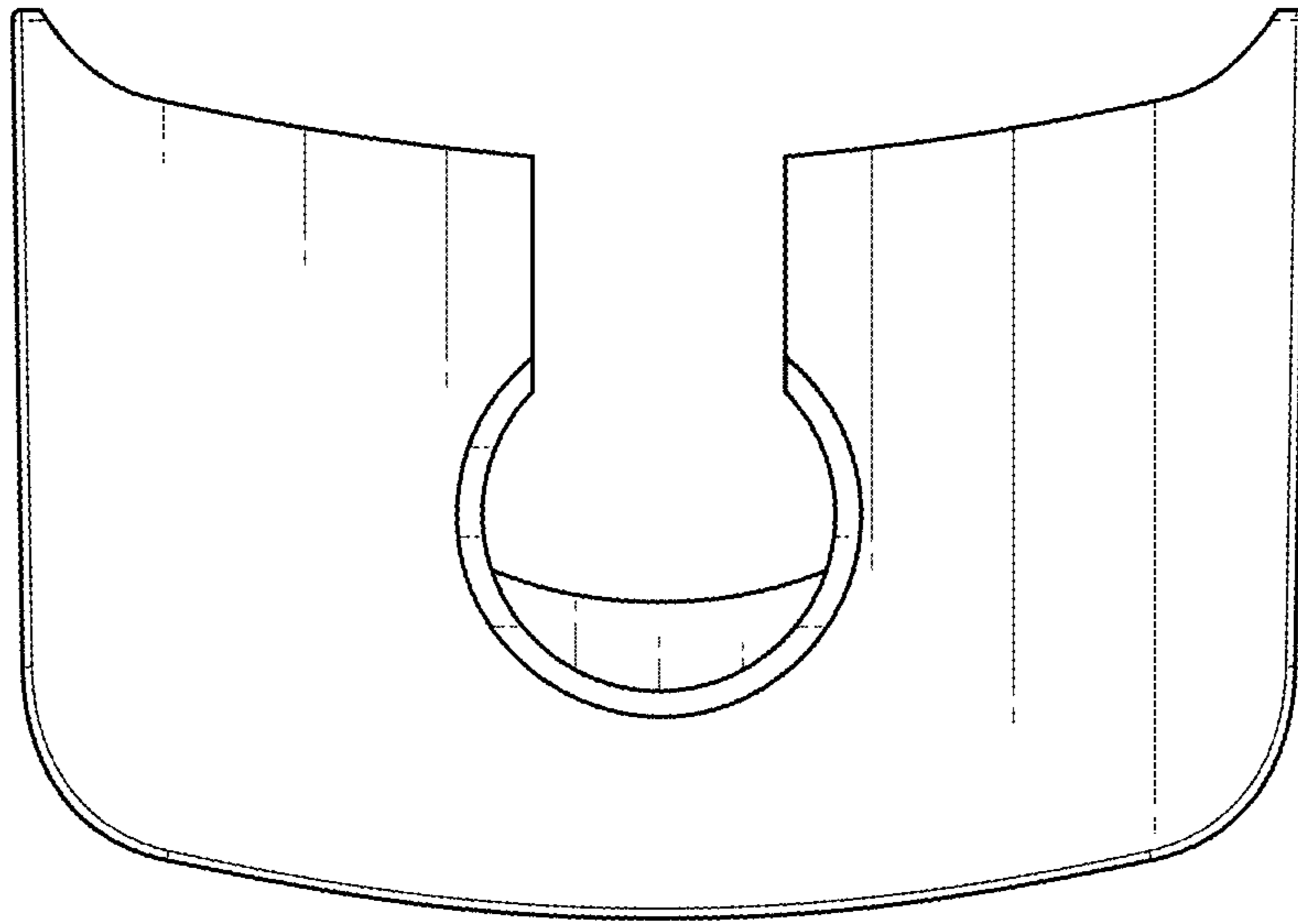


FIG. 6

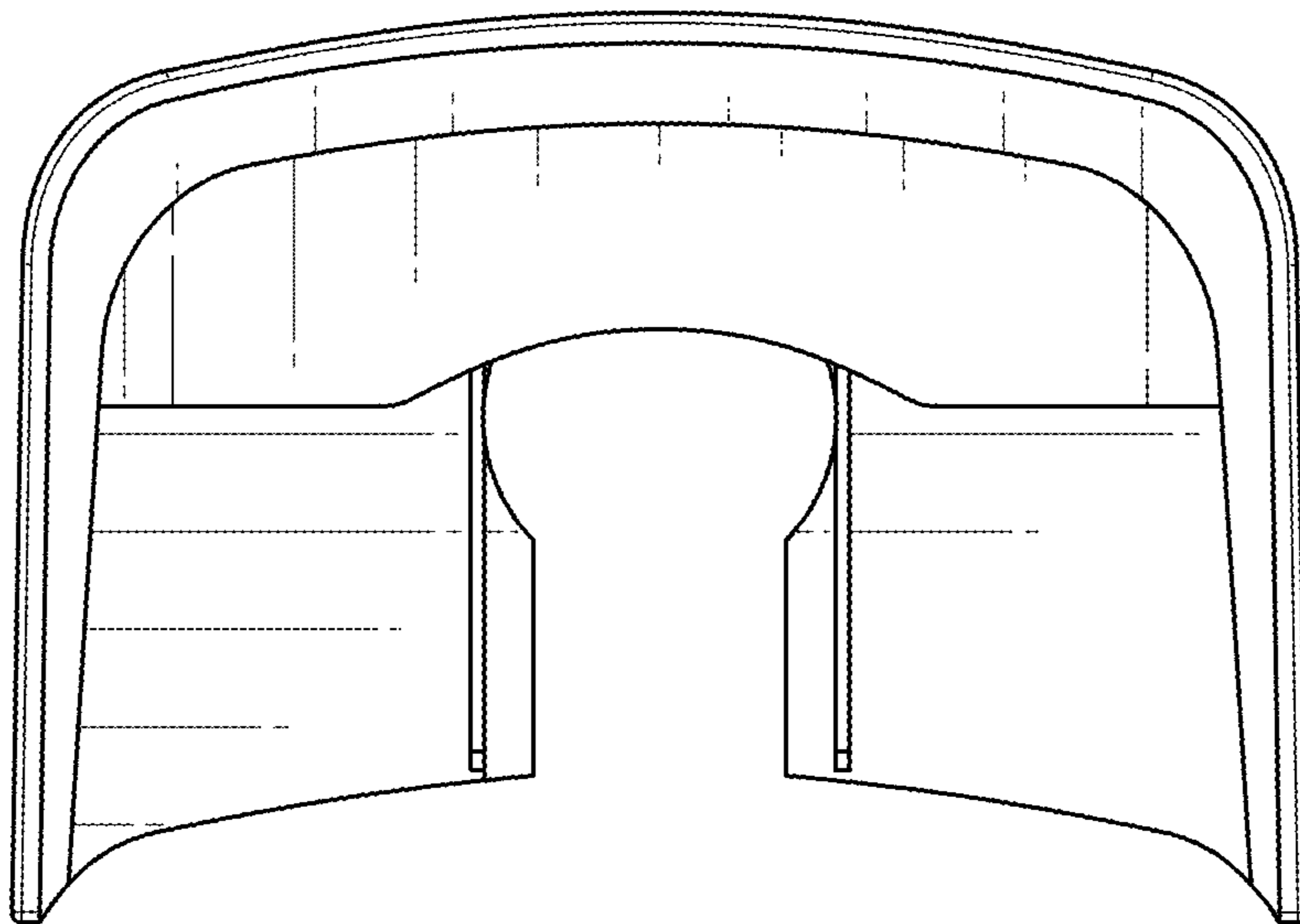


FIG. 7