



US00D979282S

(12) **United States Design Patent** (10) **Patent No.:** **US D979,282 S**
Jing (45) **Date of Patent:** **** Feb. 28, 2023**

(54) **SOAP DISPENSER**

(71) Applicant: **Ningbo Forward Plastic Co., Ltd,**
Yuyao (CN)

(72) Inventor: **Weilie Jing,** Shenzhen (CN)

(73) Assignee: **Ningbo Forward Plastic Co., Ltd,**
Yuyao (CN)

(**) Term: **15 Years**

(21) Appl. No.: **29/736,077**

(22) Filed: **May 27, 2020**

(51) **LOC (14) Cl.** **23-08**

(52) **U.S. Cl.**
USPC **D6/542**

(58) **Field of Classification Search**
USPC D6/524, 542-545; D7/306, 312, 313,
D7/322, 397, 398; D23/207, 208, 234,
D23/366
CPC . A45D 19/02; A47K 5/00; A47K 5/12; B05B
7/00; B05B 11/00; B65D 83/00; B67D
7/00; C11D 17/00; C11D 17/08; Y10T
137/9464

See application file for complete search history.

(56) **References Cited**

U.S. PATENT DOCUMENTS

D593,784	S	*	6/2009	Chan	D6/542
D663,983	S	*	7/2012	Yang	D6/542
D818,741	S	*	5/2018	Yang	D6/542
D866,219	S	*	11/2019	Wegner	D6/542
D895,998	S	*	9/2020	Li	D6/542
D897,721	S	*	10/2020	Jia	D6/542
D906,723	S	*	1/2021	Chen	D6/542
D911,739	S	*	3/2021	Zhao	D6/542
D916,499	S	*	4/2021	Chen	D6/542
D937,606	S	*	12/2021	Chen	D6/542
D953,062	S	*	5/2022	Wang	D6/542
D959,168	S	*	8/2022	Su	D6/542

D959,171	S	*	8/2022	Lauritzen	D6/542
2015/0366411	A1	*	12/2015	Yang	A47K 5/1217 222/25
2016/0256016	A1	*	9/2016	Yang	B05B 7/005

(Continued)

FOREIGN PATENT DOCUMENTS

CN	305358036	*	9/2019
CN	305699587	*	4/2020
CN	305950199	*	7/2020

(Continued)

OTHER PUBLICATIONS

Touchless Sensor Hand Sanitizer Free Waterproof Automatic Liquid Soap Dispenser for Bathroom & Kitchen Hotel and Restaurant https://www.alibaba.com/product-detail/Automatic-Soap-Dispenser-Touchless-Sensor-Hand_1600576680590.html Date unknown (Year: 2022).*

(Continued)

Primary Examiner — Jennifer L Rempfer
Assistant Examiner — Bethany Louise Mallino
(74) *Attorney, Agent, or Firm* — Dragon Sun Law Firm, PC; Jinggao Li, Esq.; Nathaniel Perkins

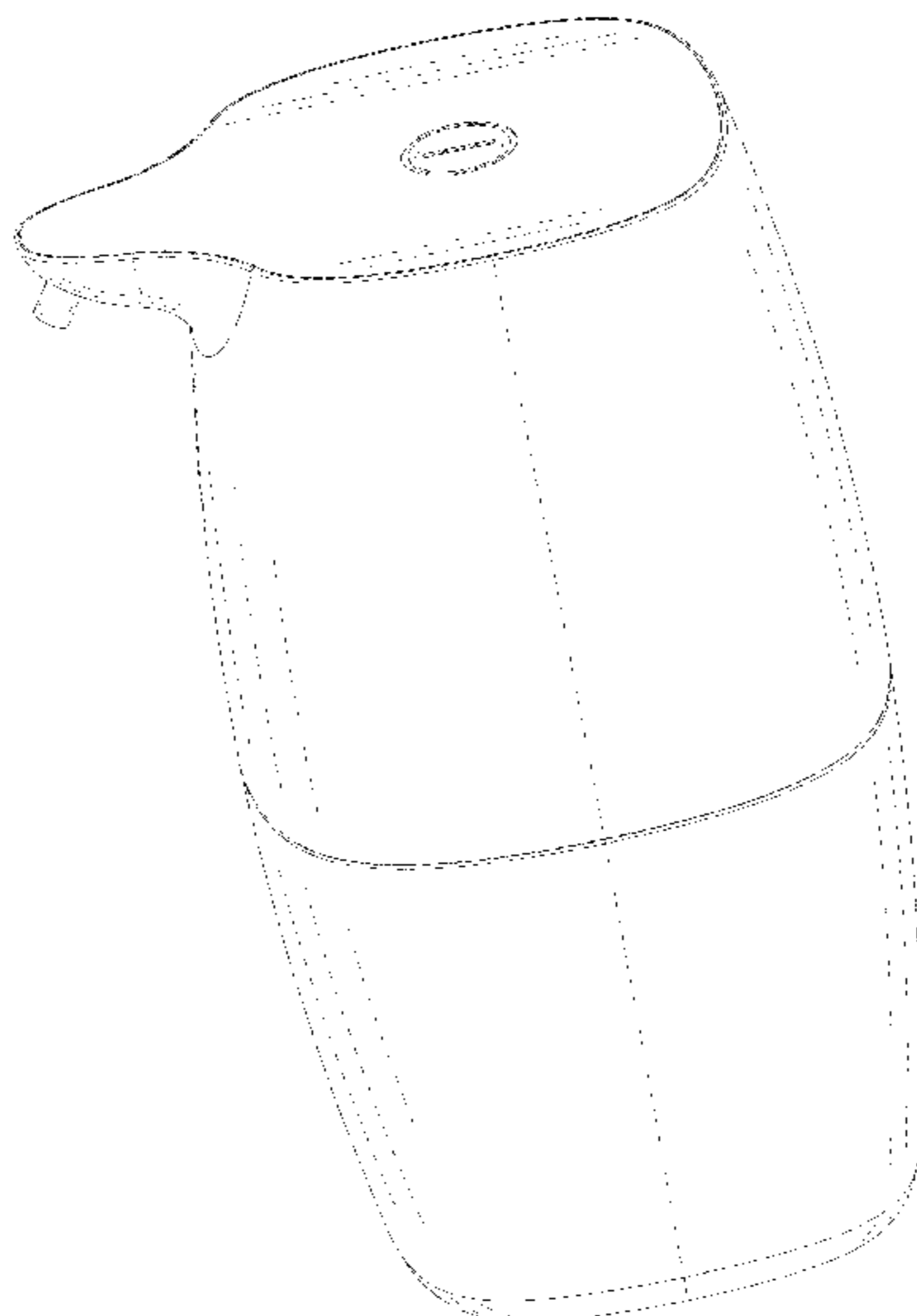
(57) **CLAIM**

The ornamental design for the soap dispenser, as shown and described.

DESCRIPTION

FIG. 1 is a prospective view of a soap dispenser showing my new design;
FIG. 2 is another prospective view thereof;
FIG. 3 is a front view thereof;
FIG. 4 is a rear view thereof;
FIG. 5 is a left side view thereof;
FIG. 6 is a right side view thereof;
FIG. 7 is a top view thereof; and,
FIG. 8 is a bottom view thereof.

1 Claim, 8 Drawing Sheets



(56)

References Cited

U.S. PATENT DOCUMENTS

2018/0360276 A1* 12/2018 Yang F04B 43/04
2022/0095851 A1* 3/2022 Romanyszyn A47K 5/1217

FOREIGN PATENT DOCUMENTS

CN	305950224	*	7/2020
CN	306013517	*	8/2020
CN	306060392	*	9/2020
CN	306087033	*	10/2020
CN	306107861	*	10/2020
CN	306107886	*	10/2020
CN	306205667	*	12/2020

OTHER PUBLICATIONS

Kohler: Kumin Soap Dispenser (Deck Mount) <https://www.kohler.com.sg/productDetails/33989T?skuid=33989T-0> Date unknown (Year: 2022).*

“29736077 NPL Google Search” Snagit Collection, <https://tinyurl.com/soap-dispenser-google-search>, Oct. 6, 2022 (Year: 2022).*

* cited by examiner



FIG. 1

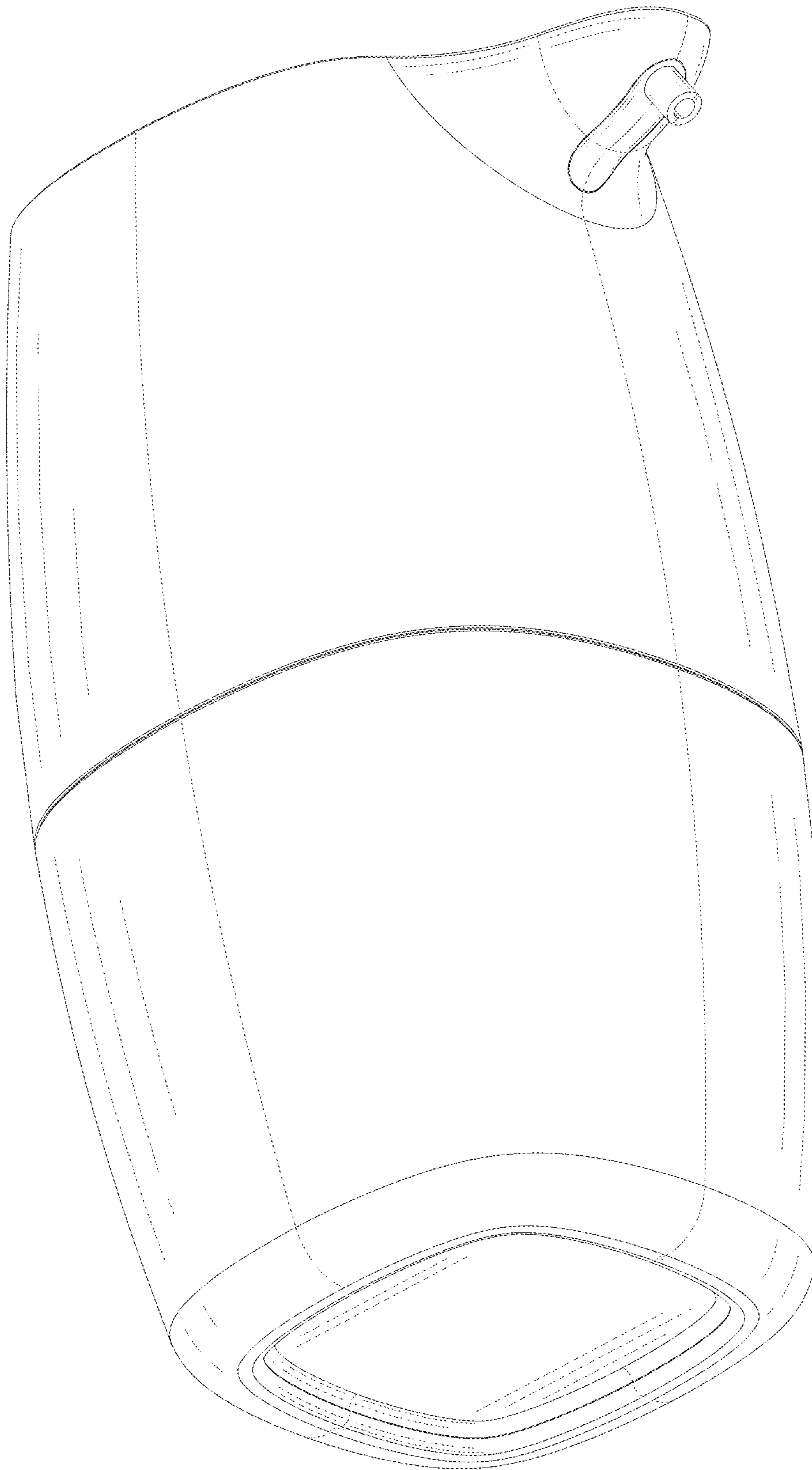


FIG. 2

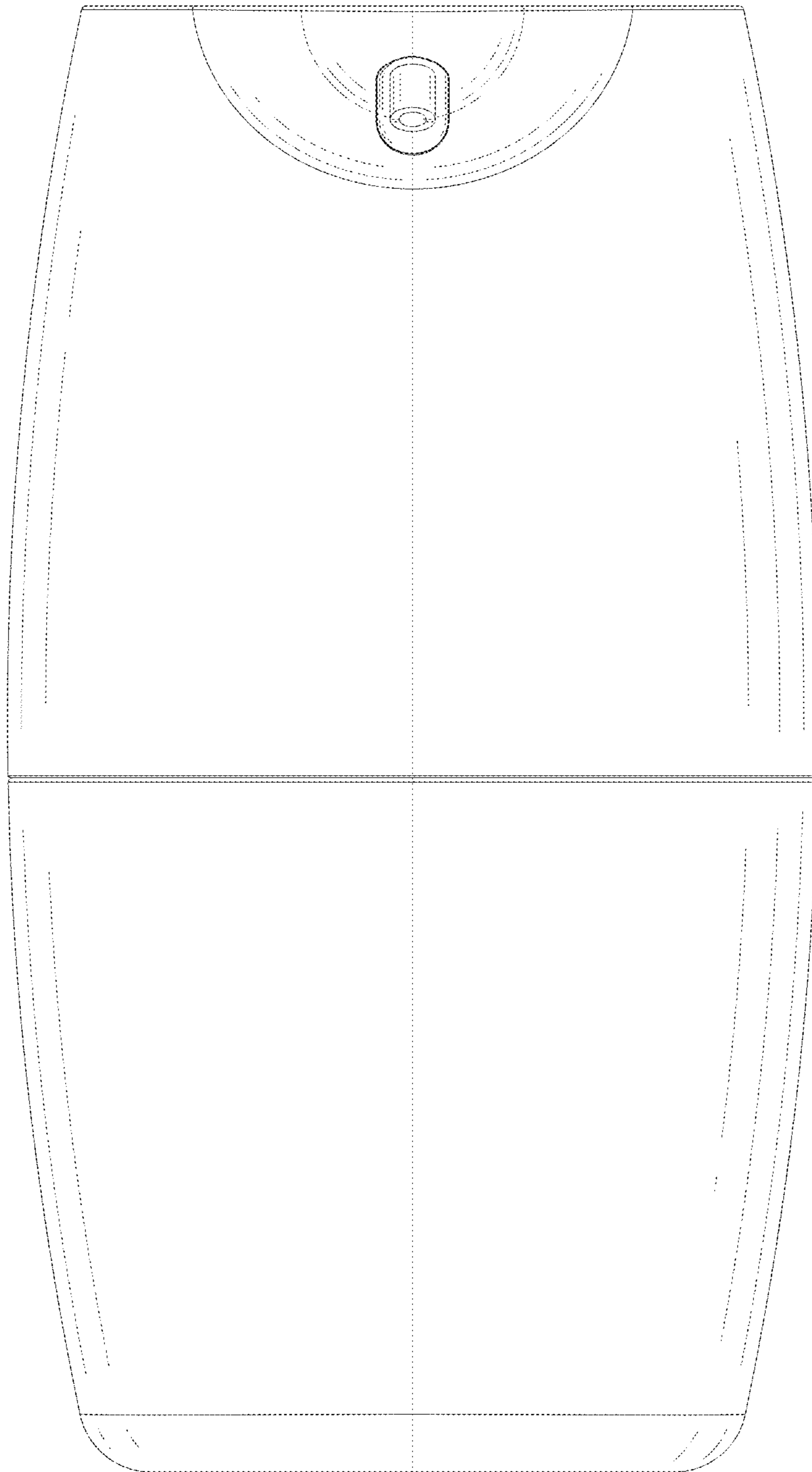


FIG. 3

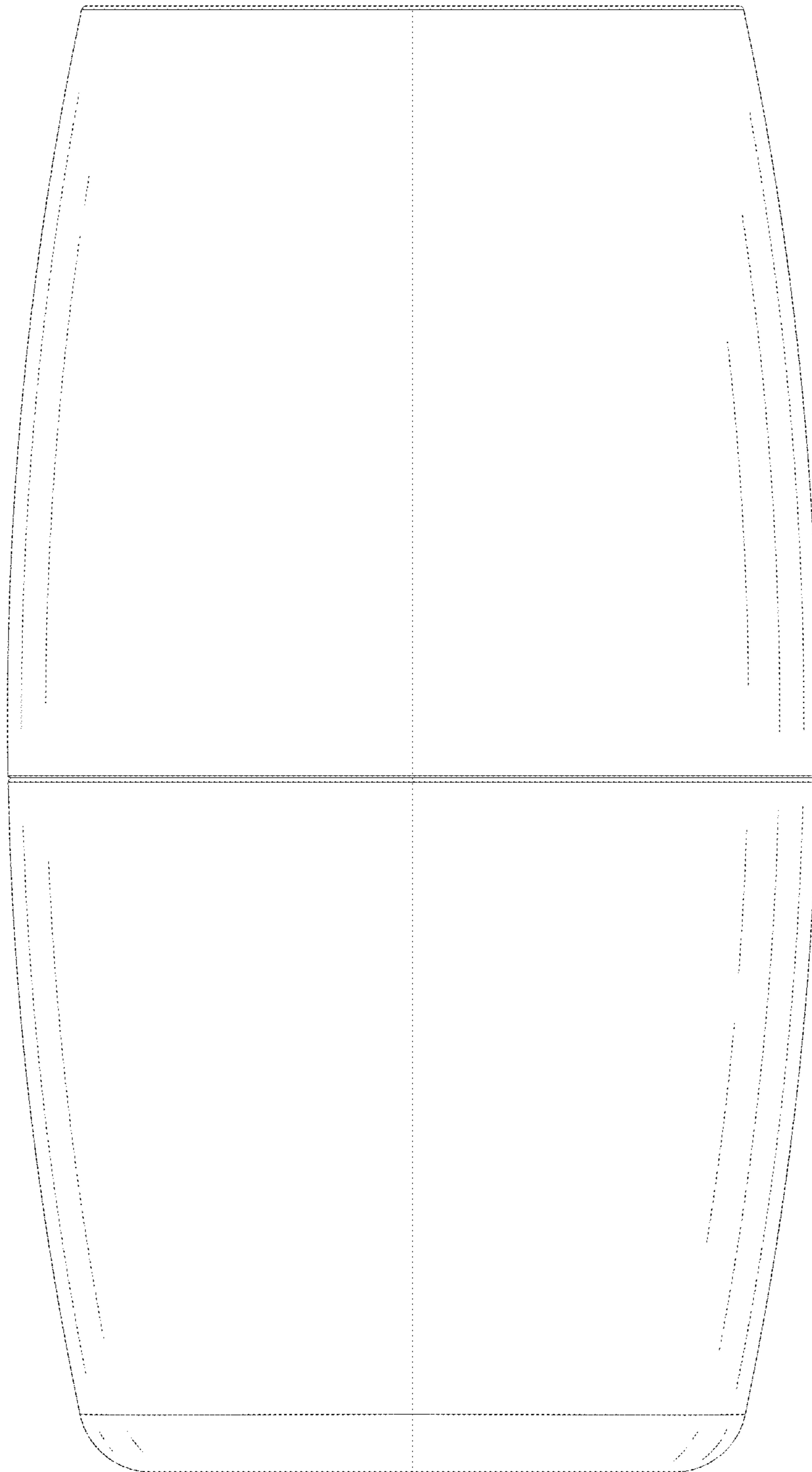


FIG. 4

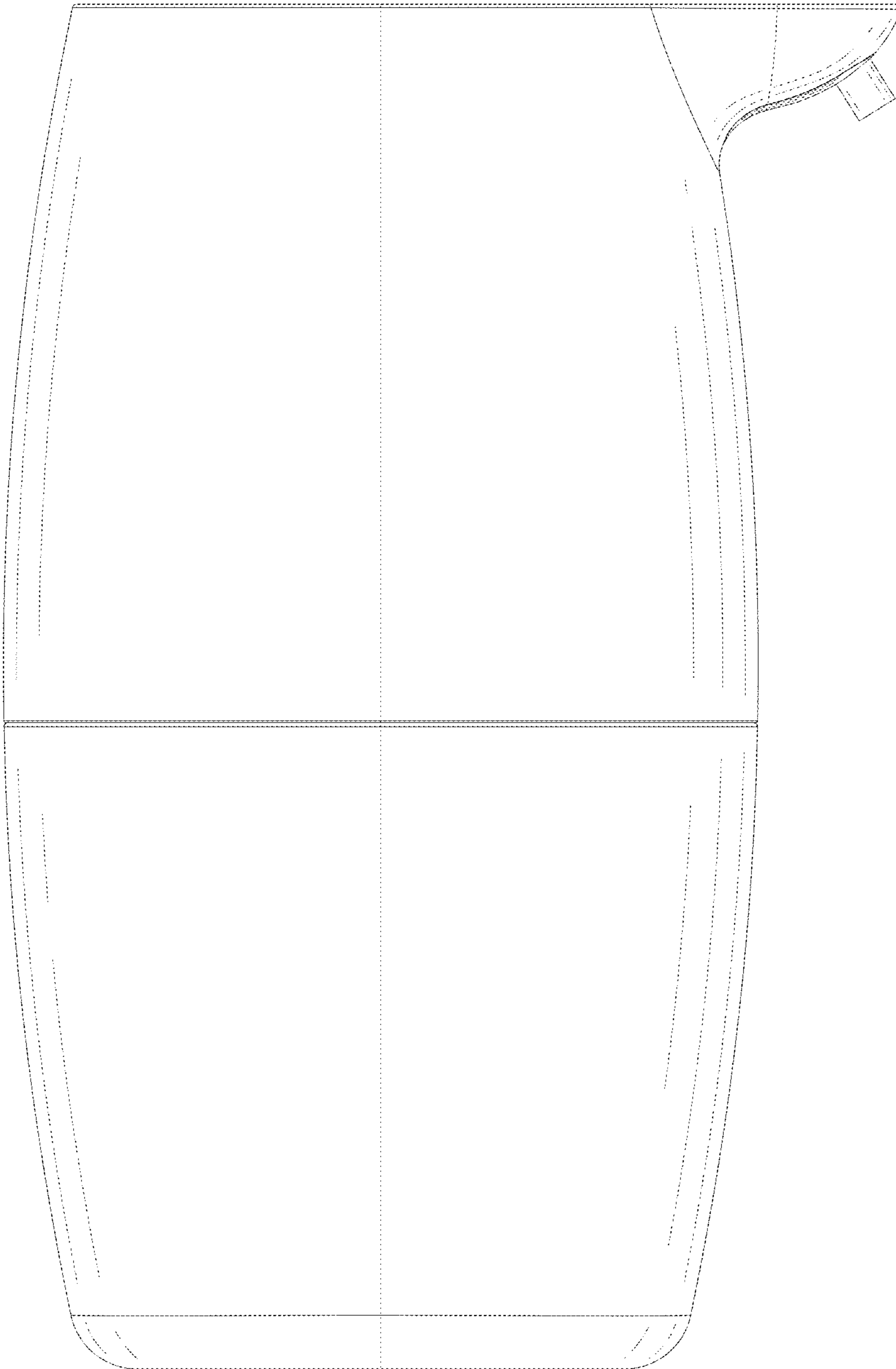


FIG. 5

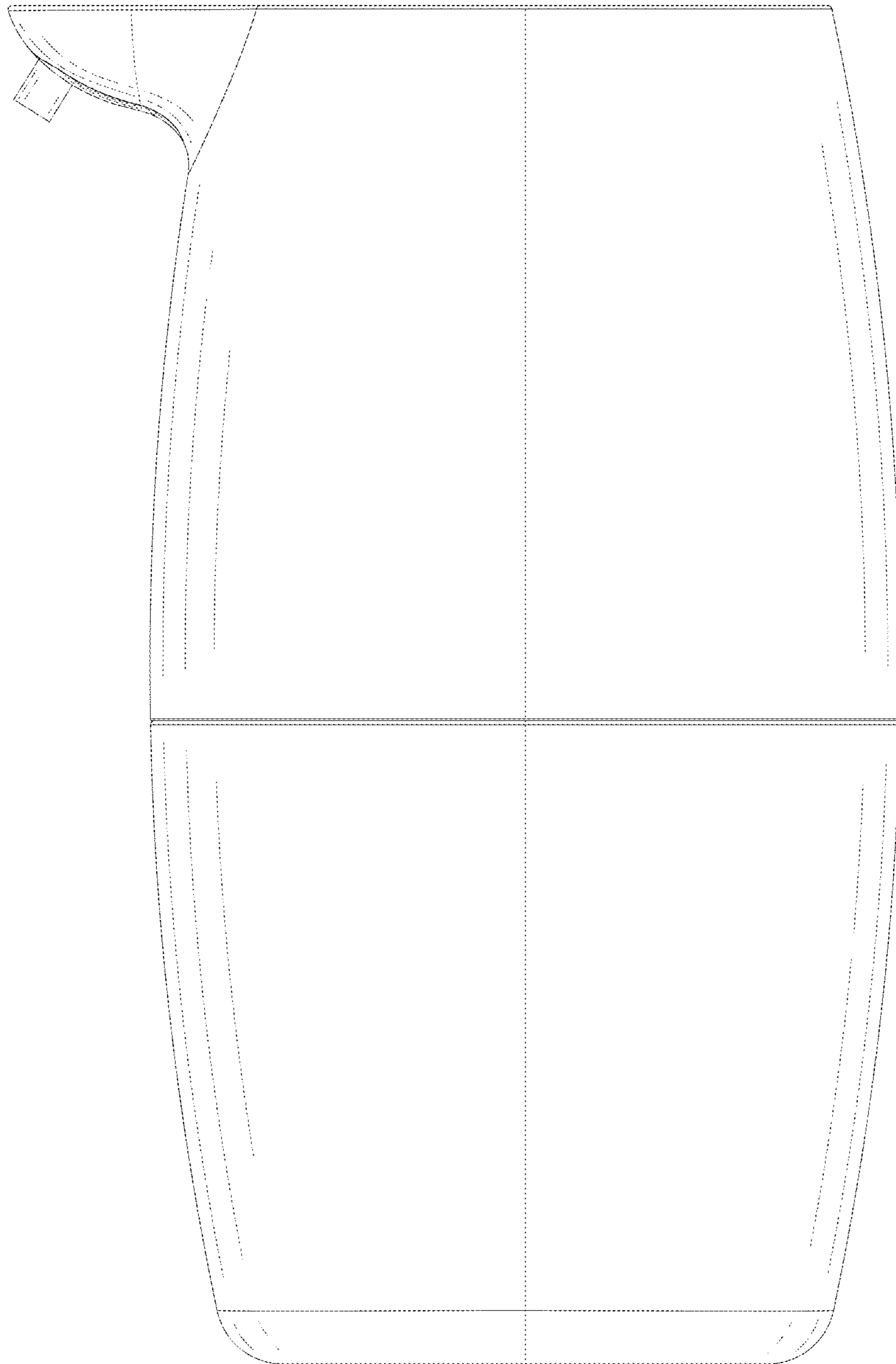


FIG. 6

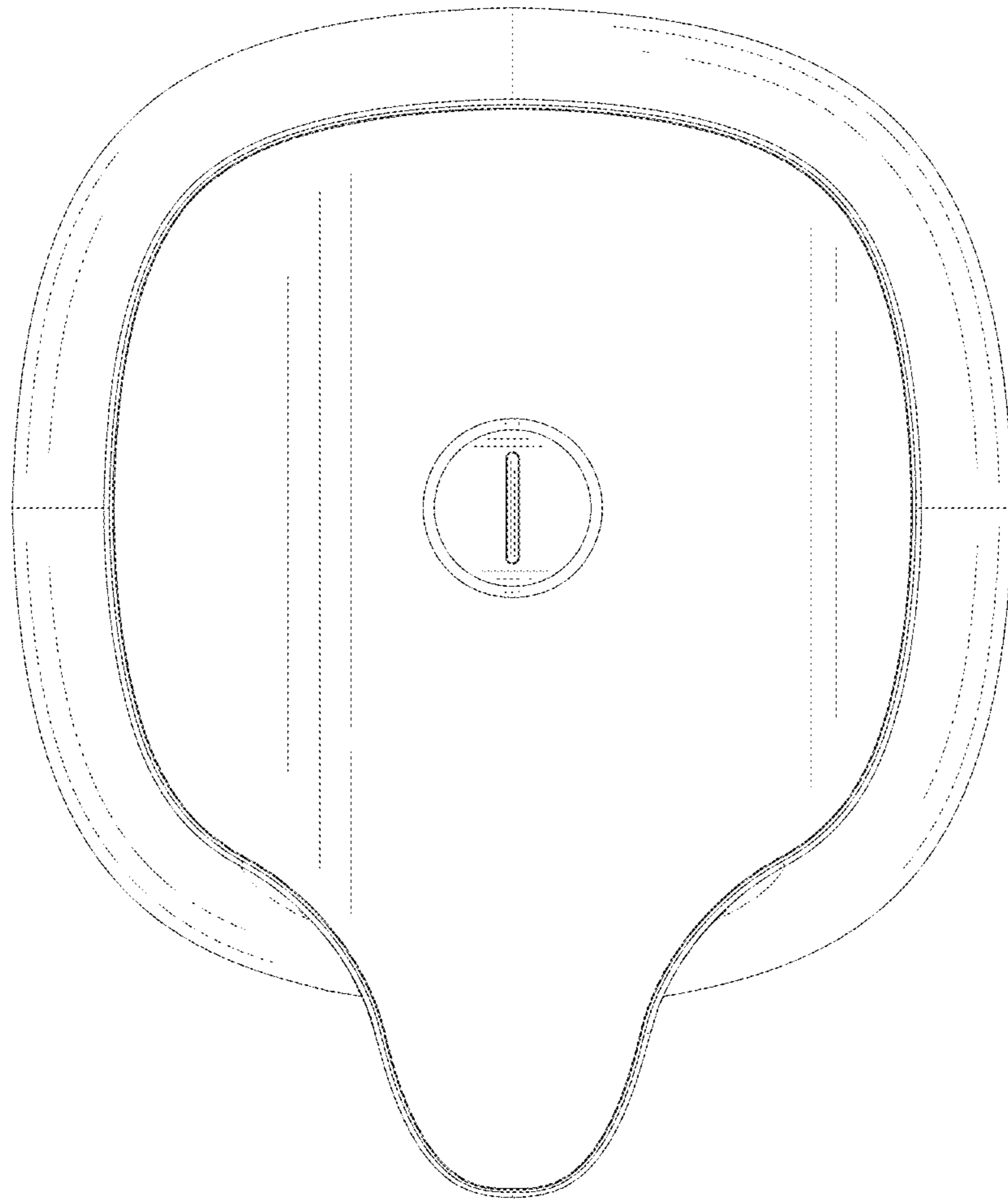


FIG. 7

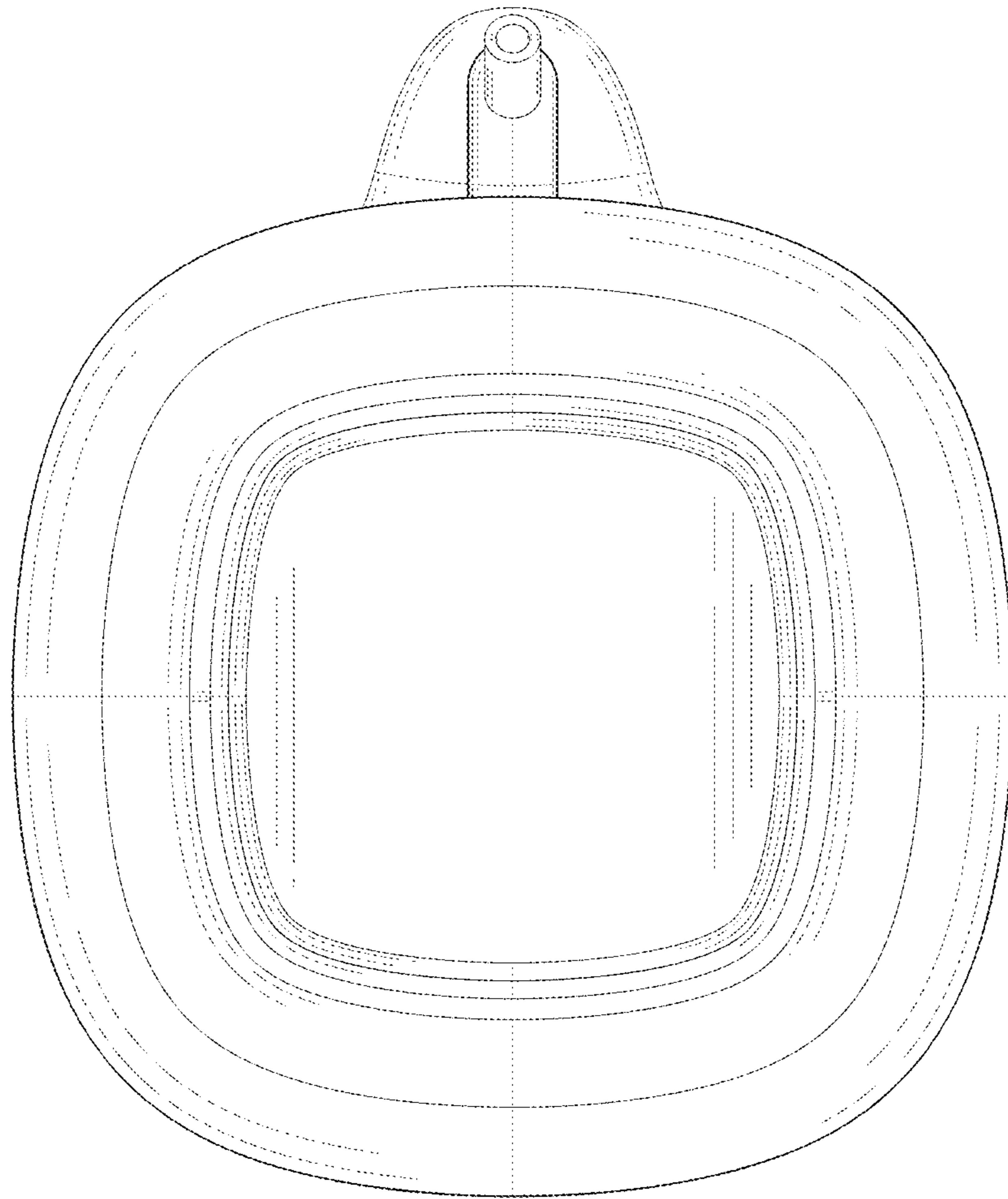


FIG. 8