



US00D979281S

(12) **United States Design Patent** (10) **Patent No.:** **US D979,281 S**
Bao (45) **Date of Patent:** **** Feb. 28, 2023**

- (54) **TOILET PAPER HOLDER**
- (71) Applicant: **Yiqing Bao**, Hunan Province (CN)
- (72) Inventor: **Yiqing Bao**, Hunan Province (CN)
- (*) Notice: Patent file contains an affidavit/declaration under 37 CFR 1.130(b).
- (**) Term: **15 Years**
- (21) Appl. No.: **29/839,432**
- (22) Filed: **May 20, 2022**
- (51) **LOC (14) Cl.** **23-08**
- (52) **U.S. Cl.**
USPC **D6/523**; D6/521
- (58) **Field of Classification Search**
USPC D6/540, 566, 567, 518-524, 545, 512, D6/515; D3/10; D14/224
CPC A47K 10/42; A47K 10/38
See application file for complete search history.

D951,920 S * 5/2022 Turksu D14/224
 2003/0213761 A1* 11/2003 Sparkowski A47F 13/085
 211/85.3
 2016/0095478 A1* 4/2016 Toma A47K 10/42
 242/594

OTHER PUBLICATIONS

Cisily Black Toilet Paper Holder Stand with Phone Shelf, date first available Nov. 25, 2021 [online], Retrieved on Aug. 10, 2022 from URL: <https://www.amazon.com/Holders-Standing-Bathroom-Storage-Pending/dp/B09MKFW3R3/> (Year: 2021).*

* cited by examiner

Primary Examiner — Vy N Koenig
Assistant Examiner — Michelle M Reeves

(57) **CLAIM**

The ornamental design for a toilet paper holder, as shown and described.

(56) **References Cited**

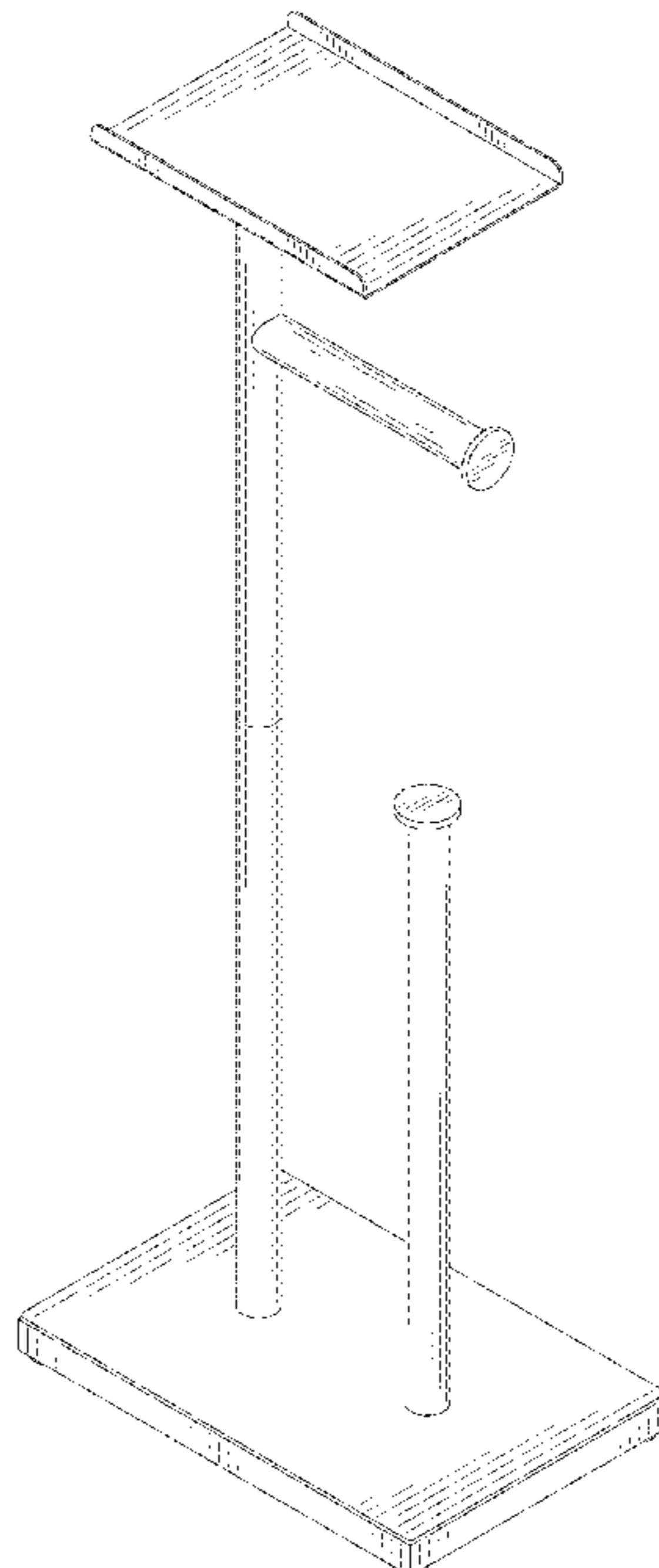
U.S. PATENT DOCUMENTS

- D253,265 S * 10/1979 Miller D6/521
- 5,125,609 A * 6/1992 Demeo B44C 7/06
248/309.2
- D341,080 S * 11/1993 Heinrich D6/521
- D360,887 S * 8/1995 Karnaze D6/675.1
- D414,053 S * 9/1999 Ordelman D3/10
- D581,698 S * 12/2008 Fix D14/224
- D596,433 S * 7/2009 Brewster D6/521
- D691,389 S * 10/2013 Snider D6/519
- D723,011 S * 2/2015 Symons D14/224
- D761,039 S * 7/2016 Locker D6/521
- D867,011 S * 11/2019 Snell D6/520
- D916,493 S * 4/2021 Tu
- D918,616 S * 5/2021 Zheng D6/523

DESCRIPTION

FIG. 1 is a front and top perspective view of a toilet paper holder, showing my new design;
 FIG. 2 is a rear and bottom, perspective view thereof;
 FIG. 3 is a front elevation view thereof;
 FIG. 4 is a rear elevation view thereof;
 FIG. 5 is a left side elevation view thereof;
 FIG. 6 is a right side elevation view thereof;
 FIG. 7 is a top plan view thereof; and,
 FIG. 8 is a bottom plan view thereof.
 The broken lines in the figures illustrate portions of the toilet paper holder that form no part of the claimed design.

1 Claim, 8 Drawing Sheets



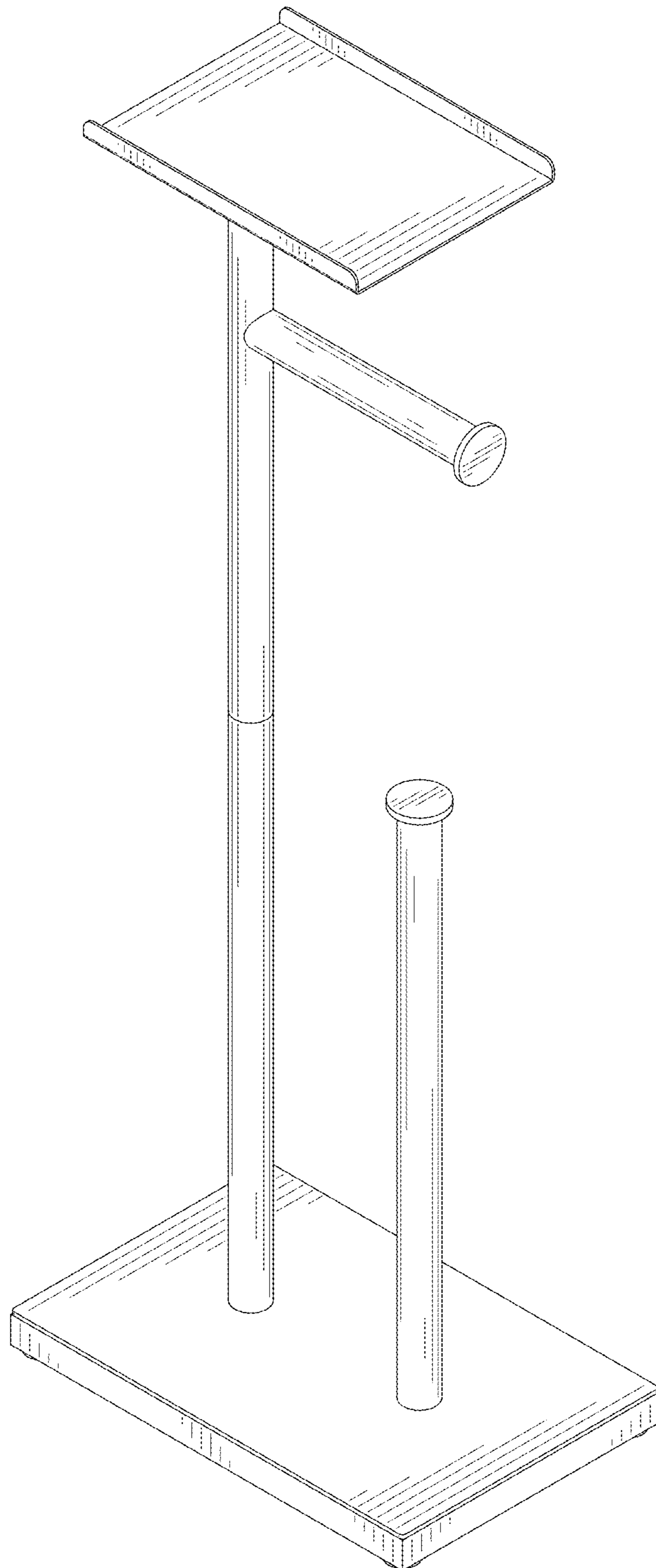


FIG. 1

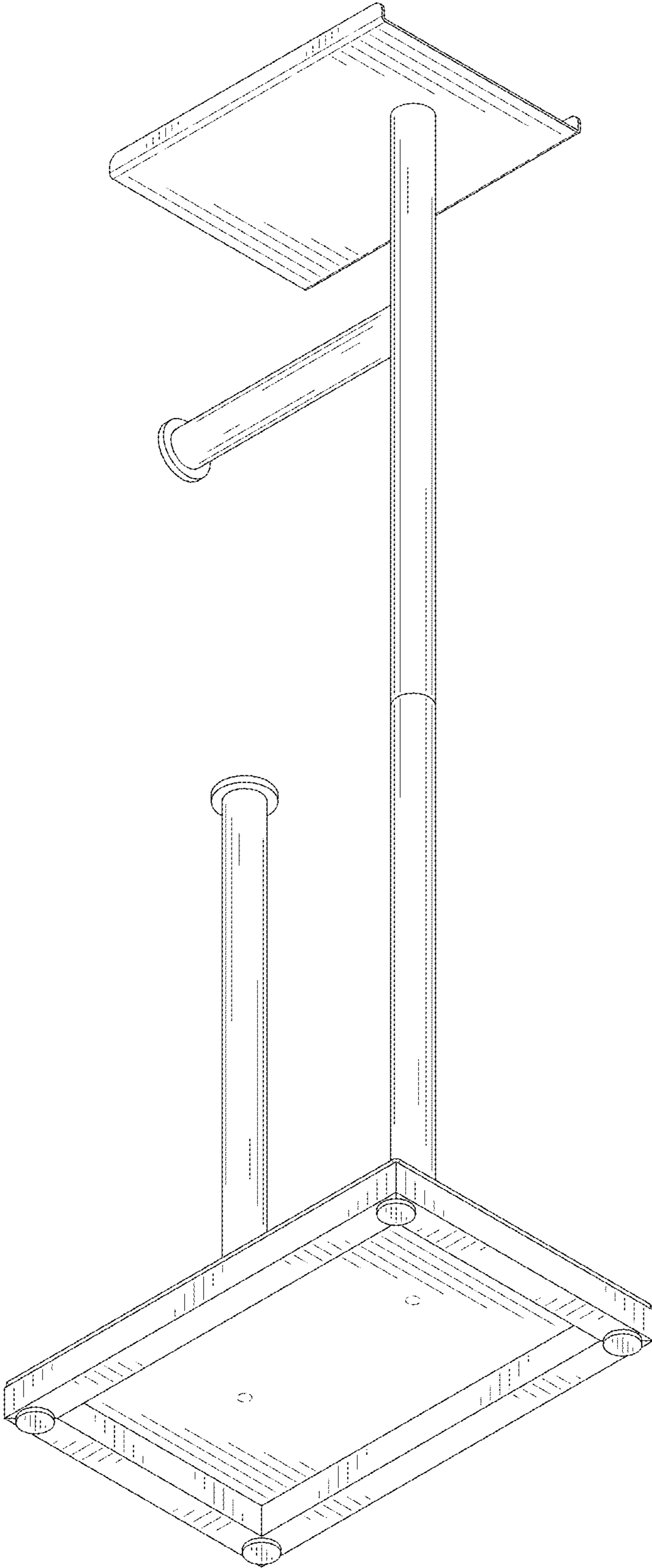


FIG. 2

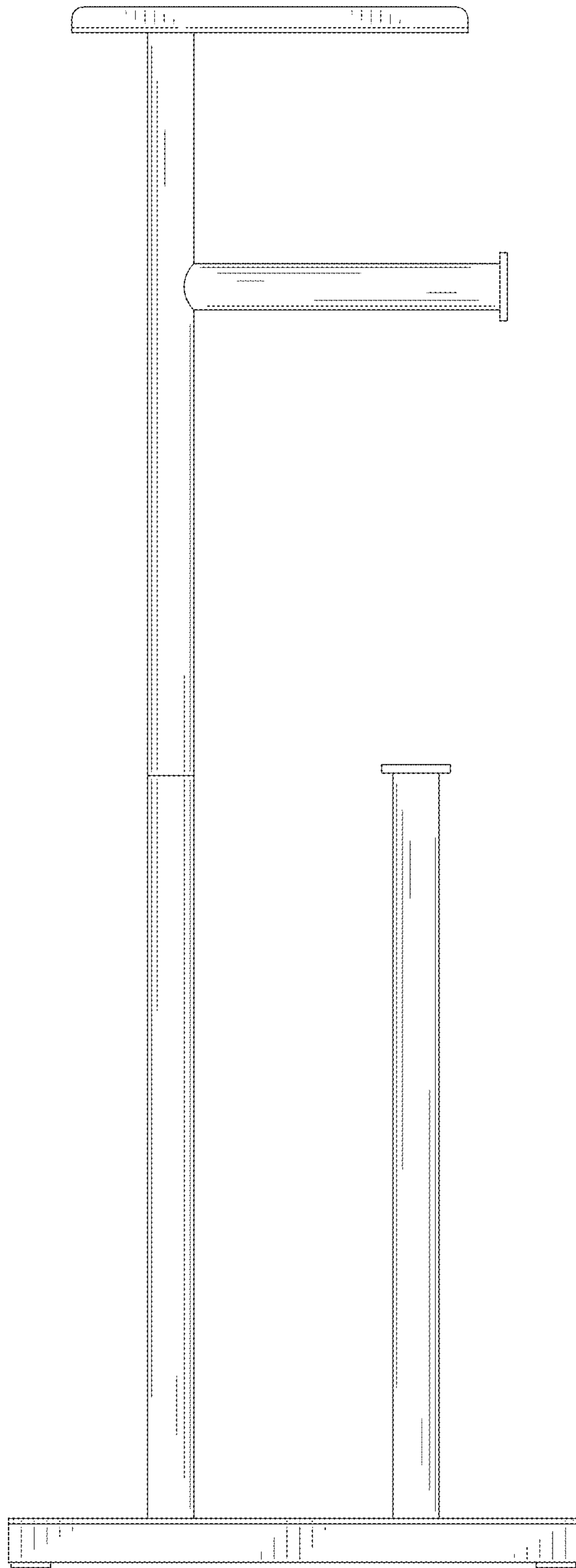


FIG. 3

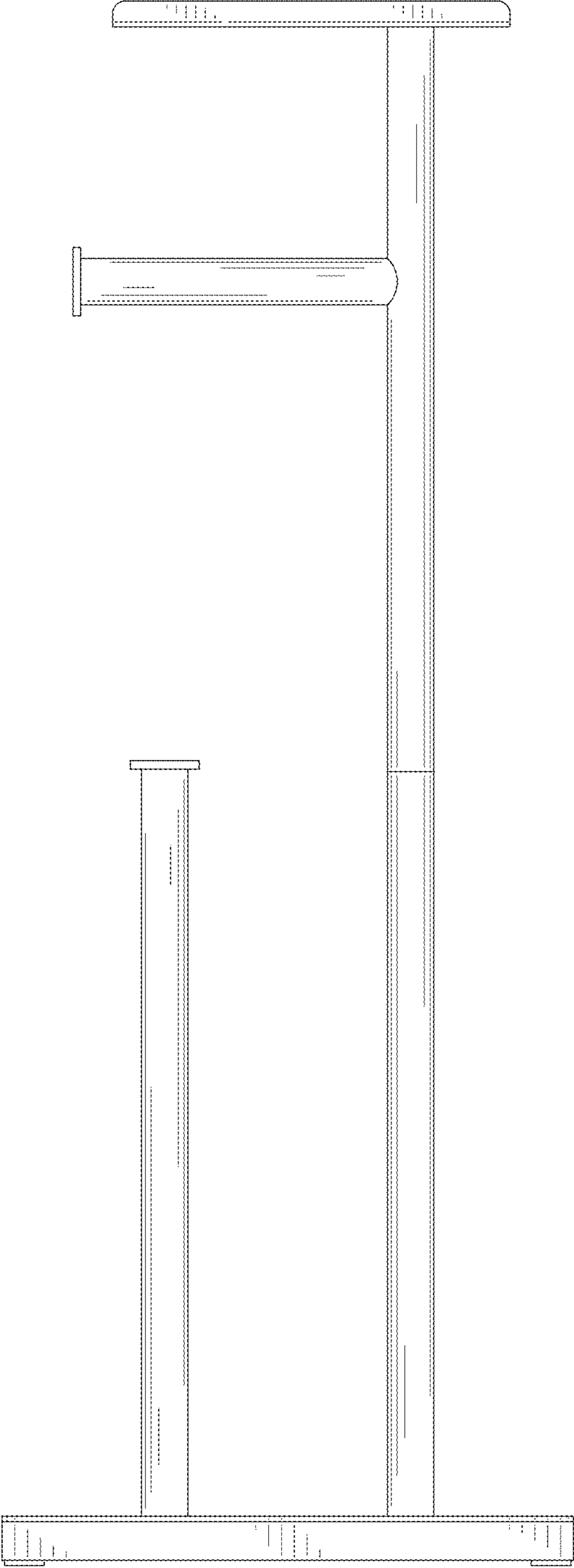


FIG. 4

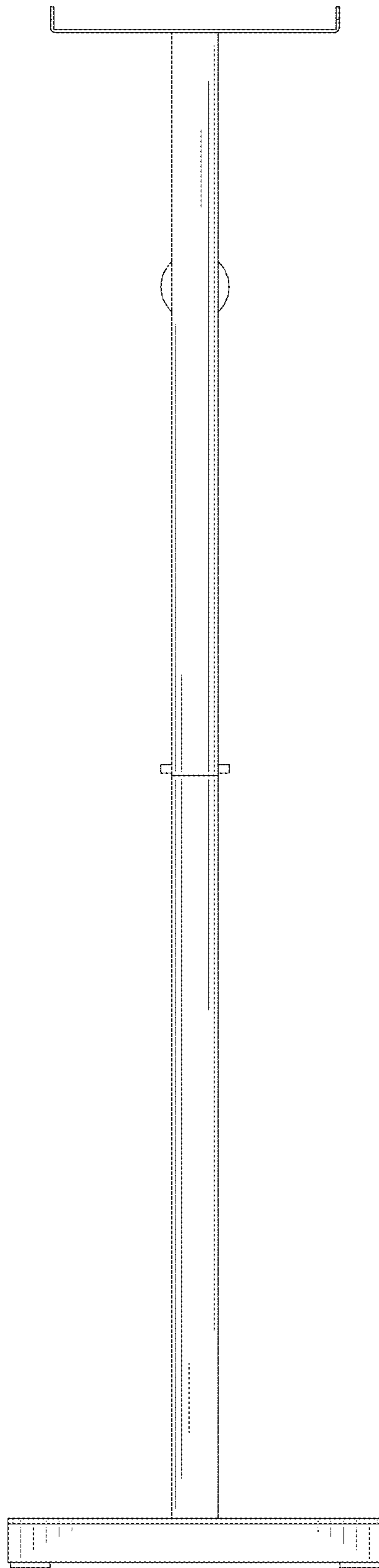


FIG. 5

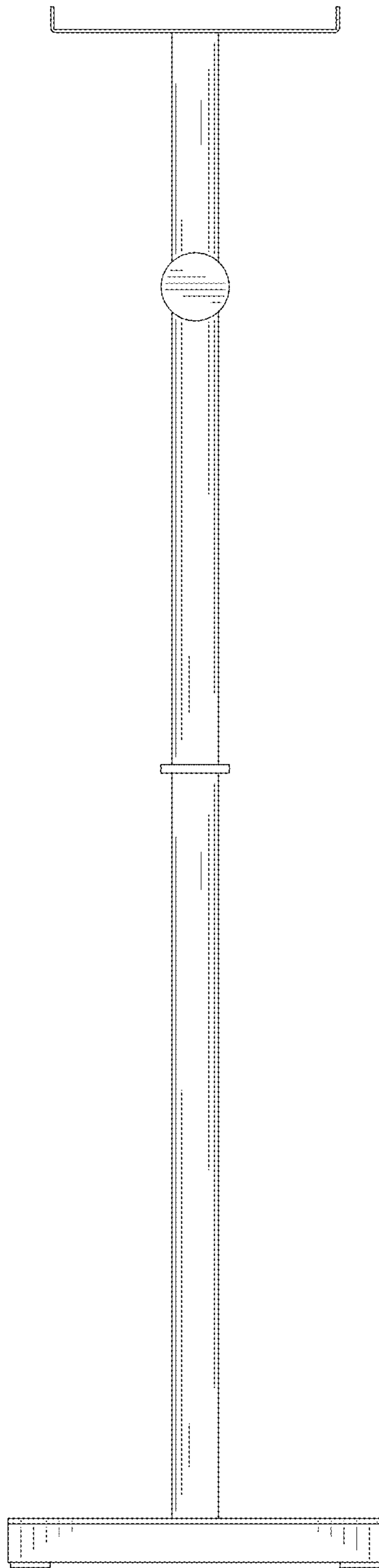


FIG. 6

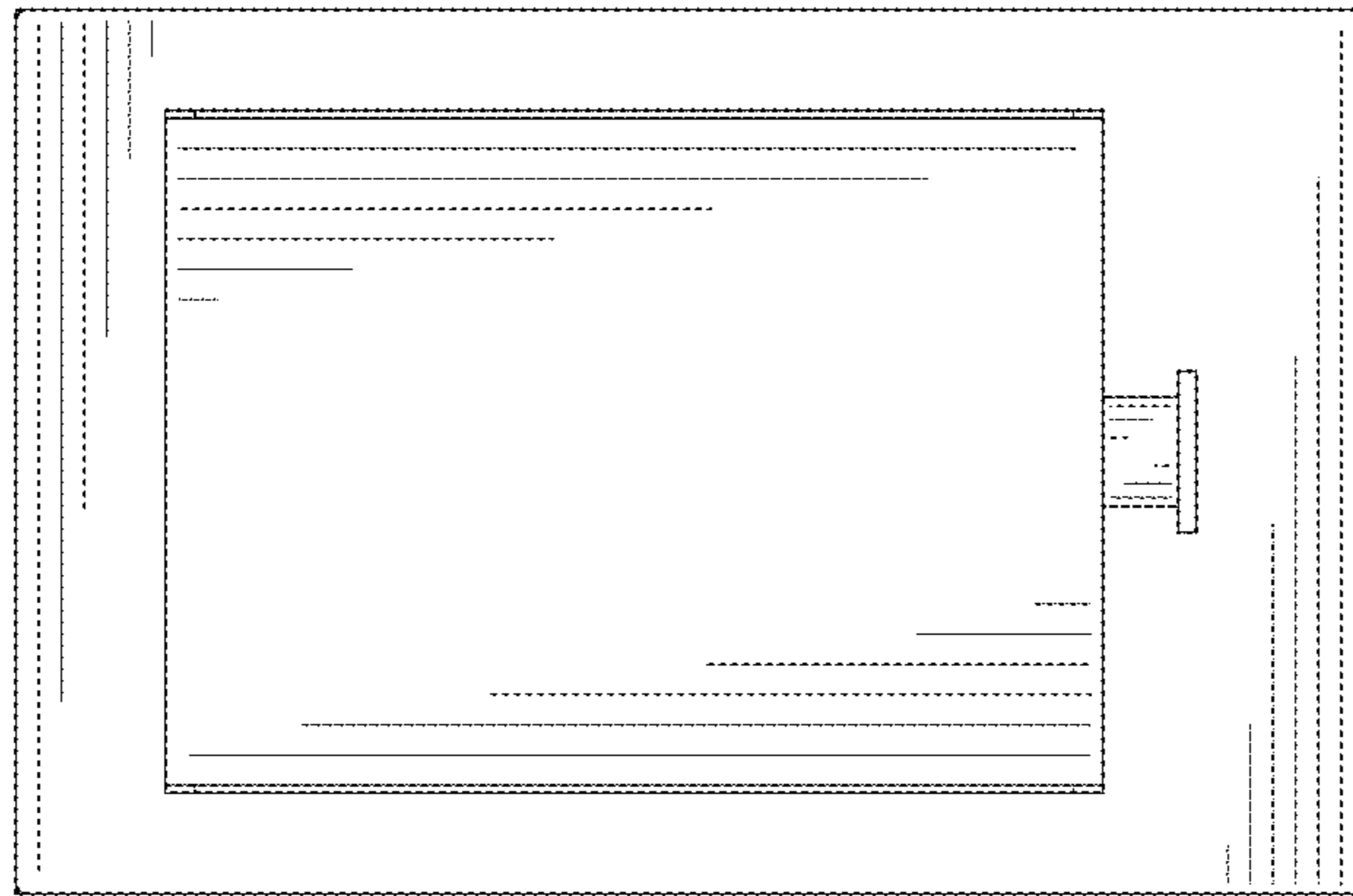


FIG. 7

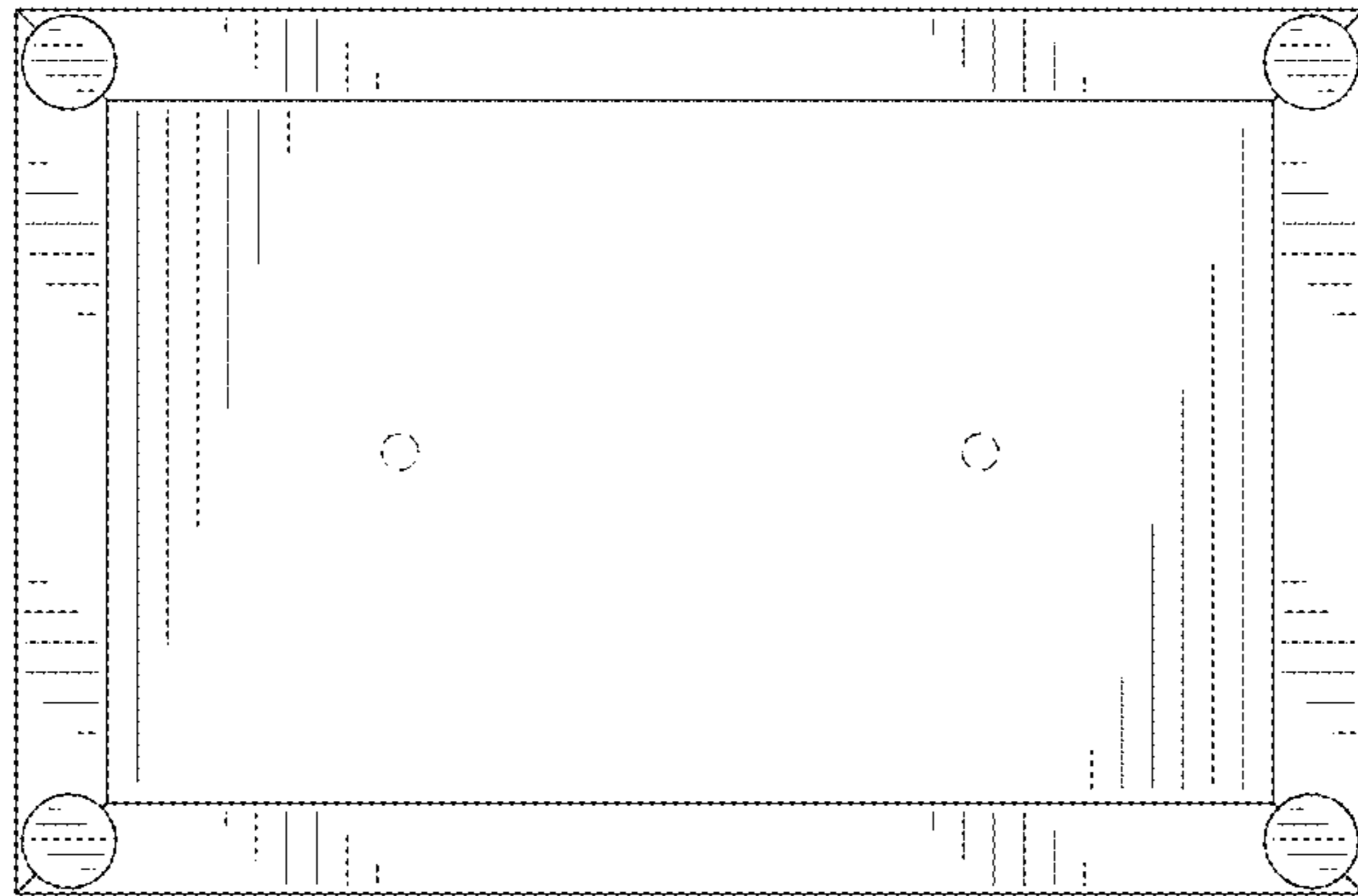


FIG. 8