



US00D979280S

(12) **United States Design Patent** (10) **Patent No.:** **US D979,280 S**
Byrne et al. (45) **Date of Patent:** **** Feb. 28, 2023**

(54) **DRAPE-OVER ARTICLE WITH STORAGE**
(71) Applicants: **Norman R. Byrne**, Ada, MI (US);
Peter Stathis, The Sea Ranch, CA (US)
(72) Inventors: **Norman R. Byrne**, Ada, MI (US);
Peter Stathis, The Sea Ranch, CA (US)
(73) Assignee: **Norman R. Byrne**, Ada, MI (US)
(**) Term: **15 Years**

(21) Appl. No.: **29/692,684**
(22) Filed: **May 28, 2019**
(51) **LOC (14) Cl.** **06-06**
(52) **U.S. Cl.**
USPC **D6/513**
(58) **Field of Classification Search**
USPC D6/514, 512-513, 553, 540, 567, 574,
D6/320; D3/90, 201, 304, 315;
206/77.1, 5, 207, 349, 361, 363, 812;
211/13.1, 85.1, 82.12, 70.6, 86.01, 87.01,
211/119.009, 126.1; D8/373; 224/275;
361/810
CPC A45C 7/0036; A45C 7/0054; A45C 11/24;
A45C 13/30; A45C 13/36; A45C 7/0077;
A45C 7/0095; A45C 13/001; A45F 3/00;
A45F 5/00; A45F 2005/002; B25H 3/02;
A44B 11/253
See application file for complete search history.

(56) **References Cited**
U.S. PATENT DOCUMENTS

D175,798 S *	10/1955	Price	D6/320
3,506,820 A	4/1970	Shannon		
4,602,191 A	7/1986	Davila		
4,709,307 A	11/1987	Branom		
D324,810 S *	3/1992	Moye, Sr.	D3/218
5,213,519 A	5/1993	Dorfman		
5,245,717 A	9/1993	Rudy		

(Continued)

Primary Examiner — Mary Shannon Malley
(74) *Attorney, Agent, or Firm* — Gardner, Linn, Burkhardt & Ondermsa LLP

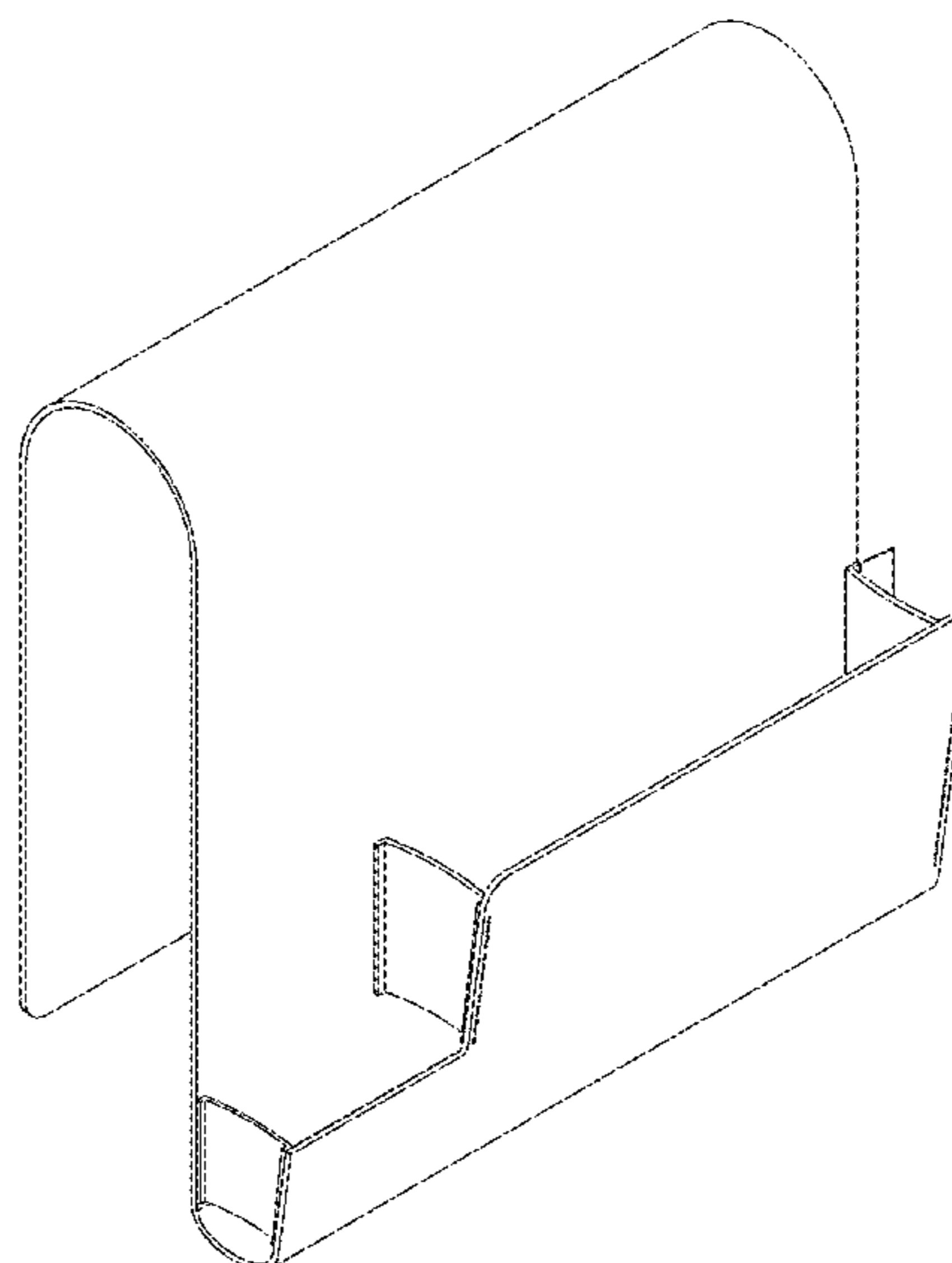
(57) **CLAIM**

The ornamental design for a drape-over article with storage, as shown and described.

DESCRIPTION

FIG. 1 is a top-front perspective view of a drape-over article with storage showing our new design in an in-use configuration, viewed from the right side;
FIG. 2 is a top-rear perspective view thereof, viewed from the right side;
FIG. 3 is a bottom-front perspective view thereof, viewed from the left side;
FIG. 4 is another bottom-front perspective view thereof, viewed from the right side;
FIG. 5 is a front elevation thereof;
FIG. 6 is a rear elevation thereof;
FIG. 7 is a top plan view thereof;
FIG. 8 is a bottom plan view thereof;
FIG. 9 is a left side elevation thereof;
FIG. 10 is a right side elevation thereof;
FIG. 11 is another top-front perspective view thereof, viewed from the right side, and shown in a lowered in-use configuration;
FIG. 12 is another top-front perspective view thereof, viewed from the right side, and shown in a non-use configuration; and,
FIG. 13 is another top-front perspective view thereof, viewed from the right side, and shown with articles positioned therein.
The broken lines in FIG. 13 showing a book and an electronic device and accessory depict environmental subject matter that form no part of the claimed design. The remaining broken lines depict portions of the drape-over article with storage that form no part of the claimed design.

1 Claim, 10 Drawing Sheets



(56)

References Cited

U.S. PATENT DOCUMENTS

5,339,956 A 8/1994 Thomason
 5,503,571 A 4/1996 Cheslock
 5,531,601 A 7/1996 Amoroso
 5,810,168 A 9/1998 Eggering
 5,872,702 A * 2/1999 Kopel H01H 9/025
 361/810
 6,192,805 B1 2/2001 Saylor et al.
 D438,412 S * 3/2001 Dolan D6/513
 6,402,336 B1 6/2002 Reese
 6,784,364 B2 8/2004 Kochanski et al.
 6,803,744 B1 10/2004 Sabo
 6,976,744 B2 12/2005 Hay et al.
 7,021,637 B2 4/2006 Snider et al.
 D545,095 S * 6/2007 Lomas D6/514
 7,262,700 B2 8/2007 Hsu
 7,863,861 B2 1/2011 Cheng et al.
 7,916,467 B2 3/2011 Hotelling et al.
 7,952,322 B2 5/2011 Partovi et al.
 D639,092 S * 6/2011 Lundy D6/513
 8,164,222 B2 4/2012 Baarman
 8,283,602 B2 10/2012 Augustine et al.
 8,292,657 B2 10/2012 Singh
 8,421,407 B2 4/2013 Johnson
 8,456,038 B2 6/2013 Azancot et al.
 8,456,819 B1 6/2013 Smith

8,469,884 B2 6/2013 David et al.
 D693,595 S * 11/2013 Pierre-Pipkin D6/513
 8,626,297 B2 1/2014 Jaax et al.
 9,124,308 B2 9/2015 Metcalf
 9,173,493 B1 11/2015 Fulton et al.
 9,392,870 B2 6/2016 Suman
 9,407,110 B2 8/2016 Lui et al.
 9,450,456 B2 9/2016 Cook et al.
 9,539,722 B2 1/2017 Martinez et al.
 9,666,980 B2 5/2017 Pearson
 9,681,561 B2 6/2017 DeSanctis
 D817,020 S * 5/2018 Polifroni D6/513
 10,116,106 B2 10/2018 Byrne et al.
 2003/0048254 A1 3/2003 Huang
 2004/0189246 A1 9/2004 Bulai et al.
 2010/0201201 A1 8/2010 Mobarhan et al.
 2011/0123038 A1 5/2011 Clark
 2012/0200129 A1 8/2012 Wilson, Jr.
 2012/0253433 A1 10/2012 Rosen et al.
 2013/0049482 A1 2/2013 Rofe et al.
 2013/0105533 A1 * 5/2013 Orduno B60R 7/043
 224/275
 2013/0234481 A1 11/2013 Johnson
 2013/0298926 A1 11/2013 Smeragliuolo
 2014/0166516 A1 6/2014 Martinez et al.
 2018/0191178 A1 6/2018 Byrne et al.
 2018/0191112 A1 7/2018 Byrne et al.

* cited by examiner

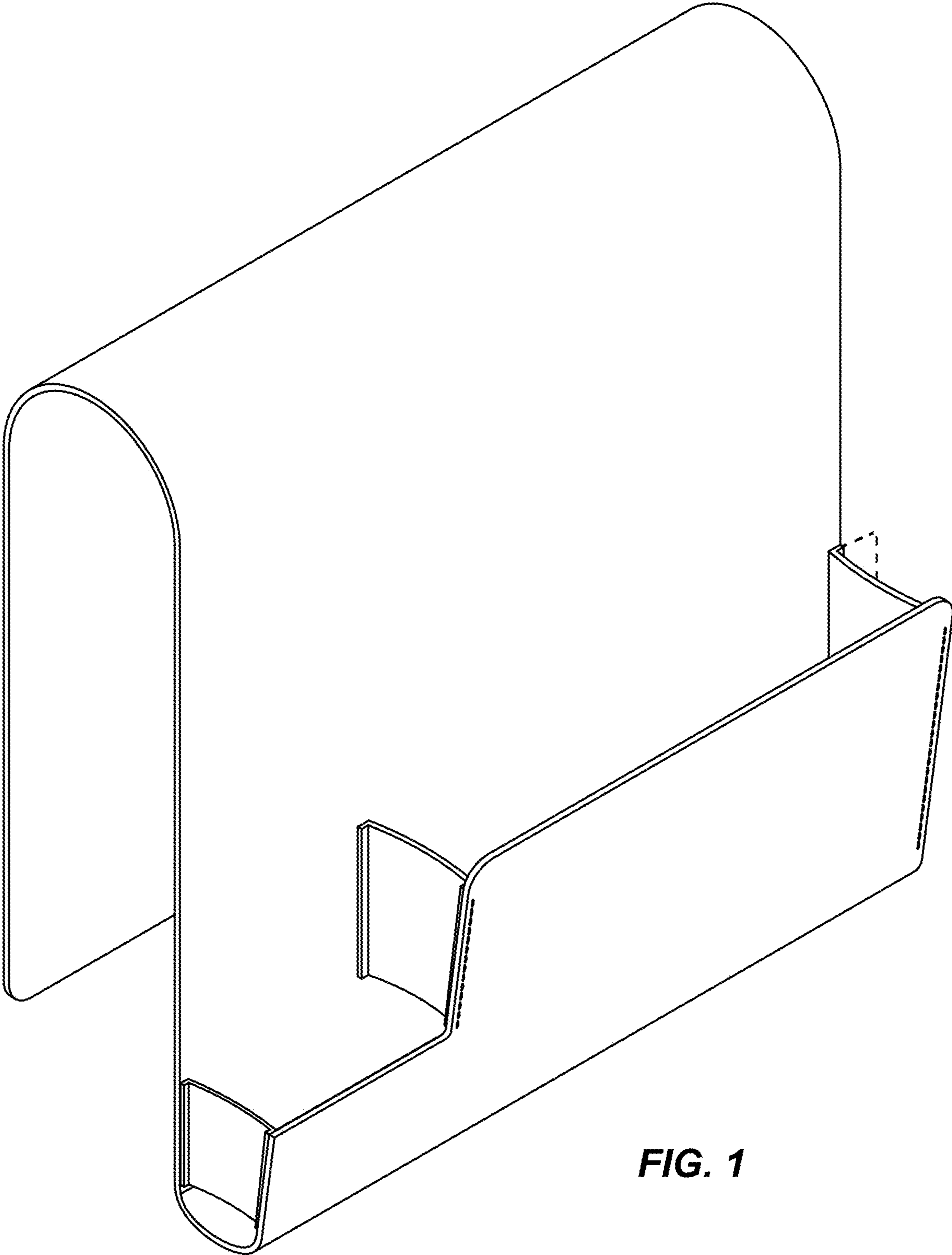


FIG. 1

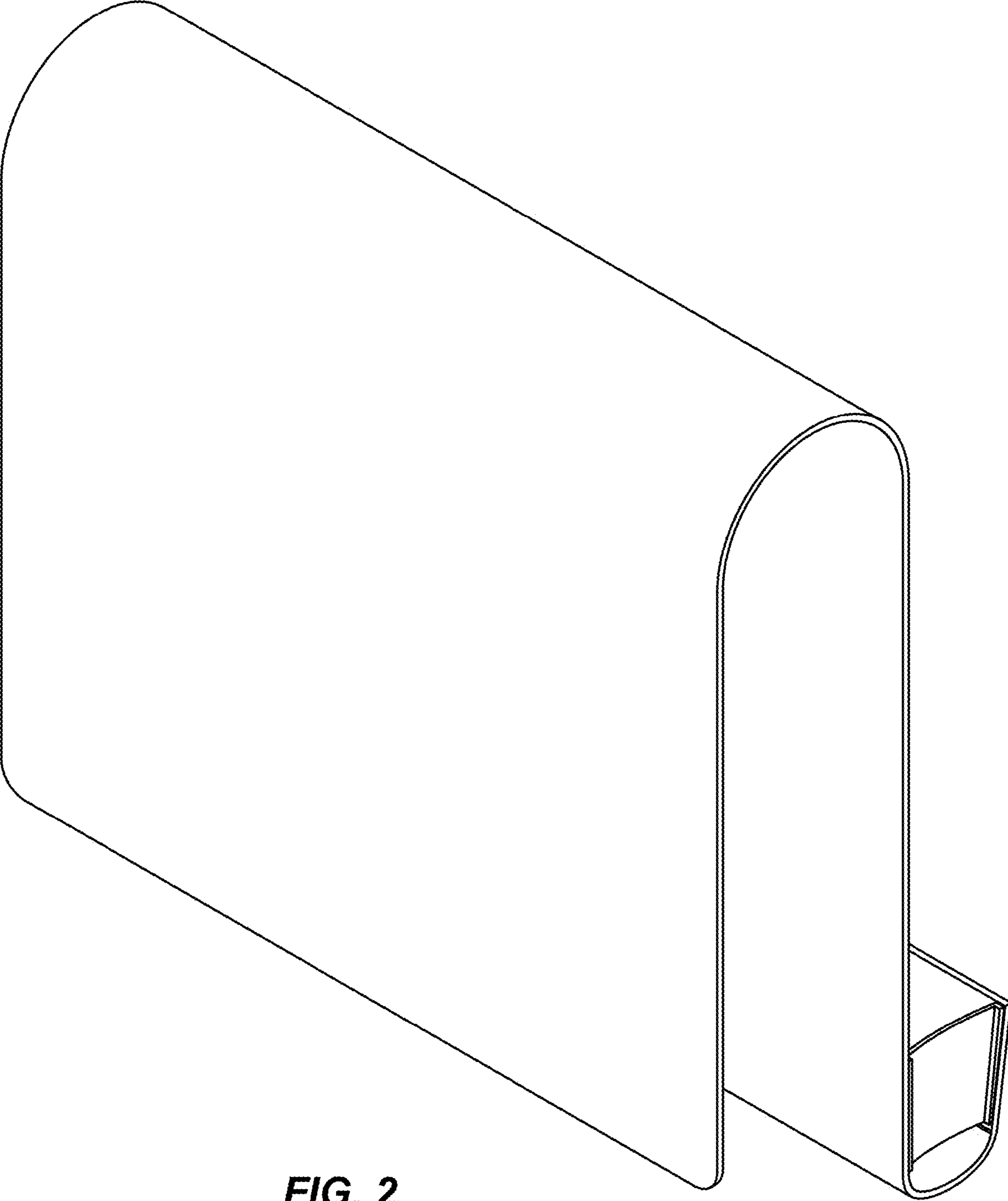


FIG. 2

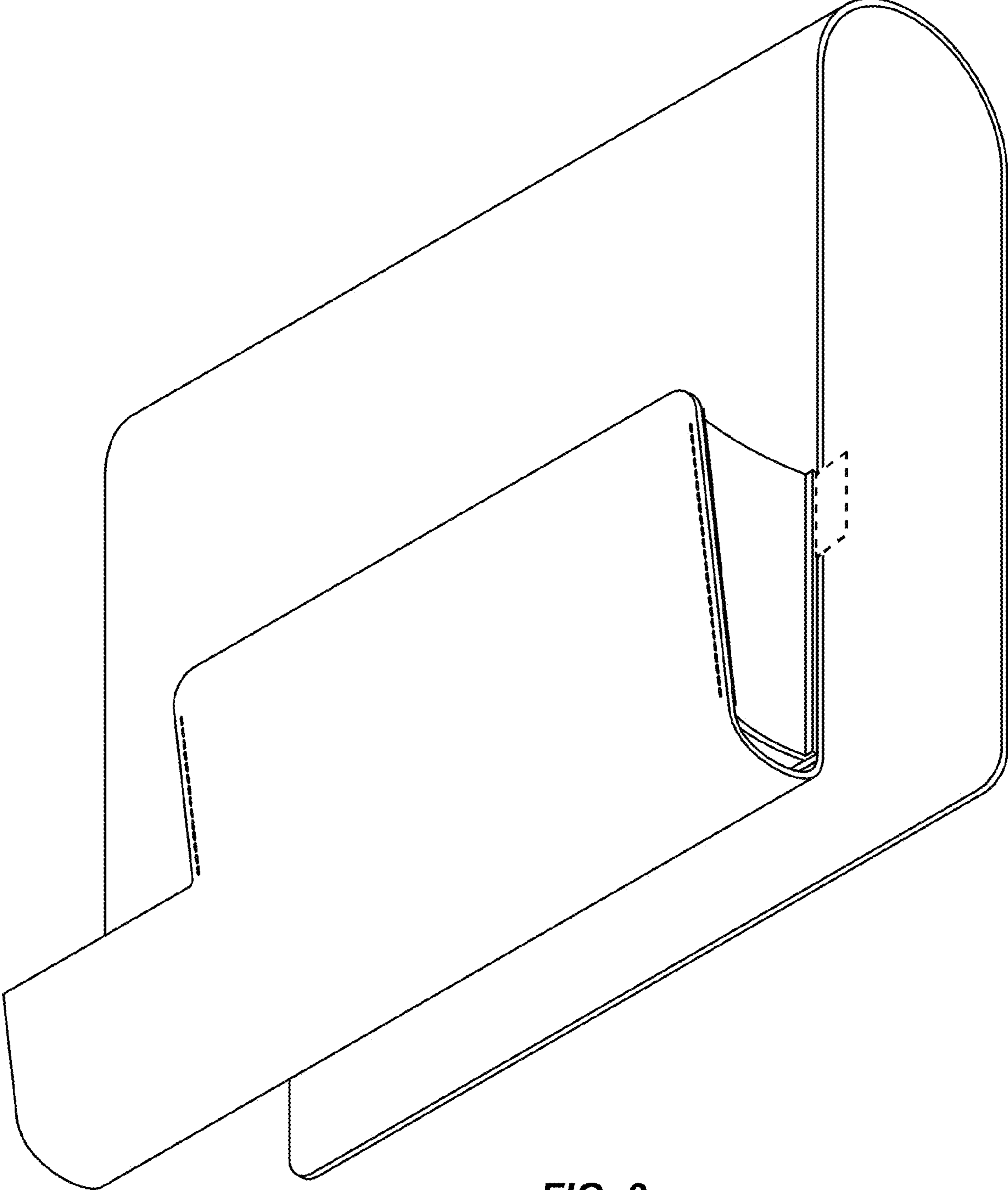


FIG. 3

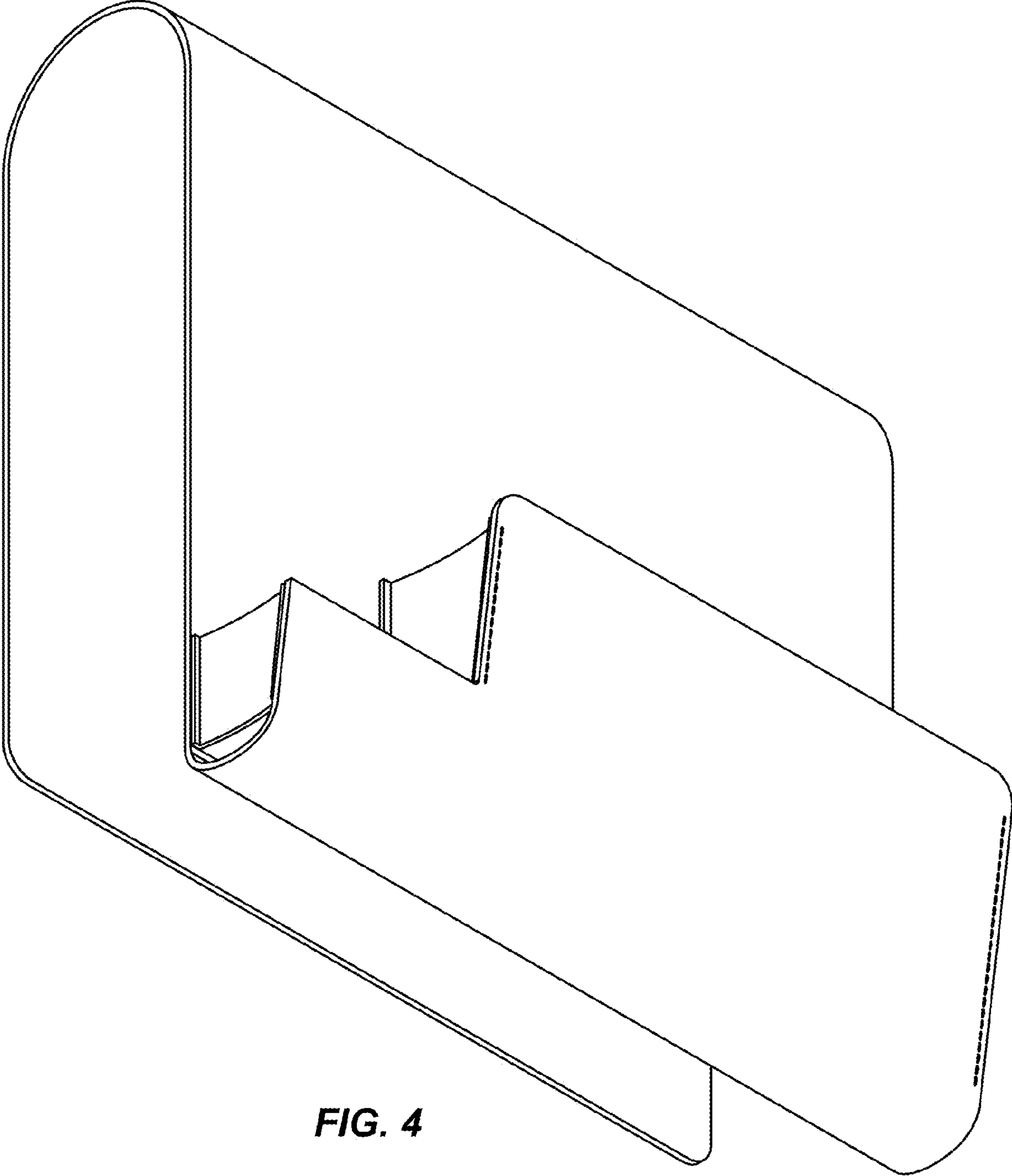


FIG. 4

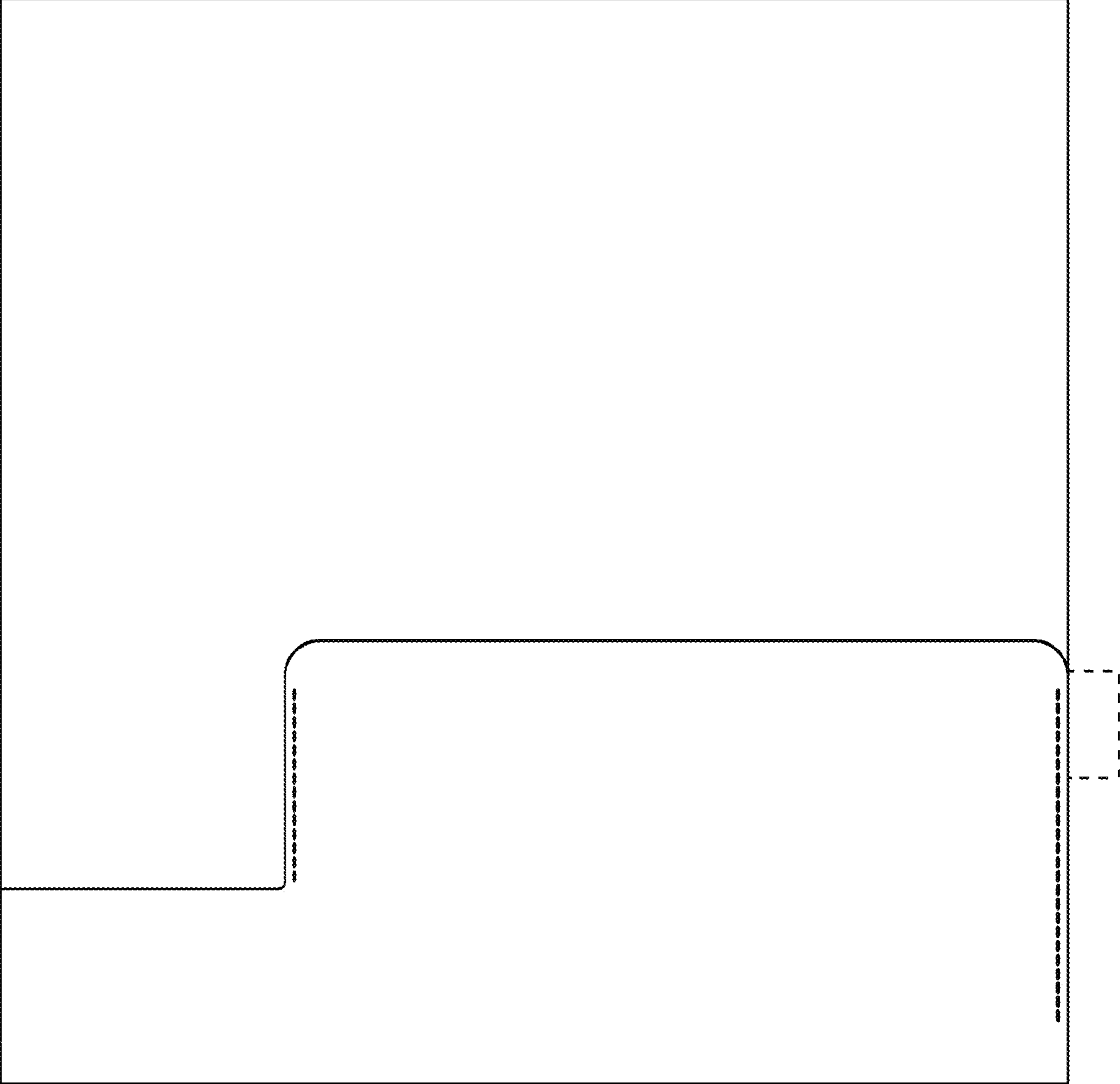


FIG. 5

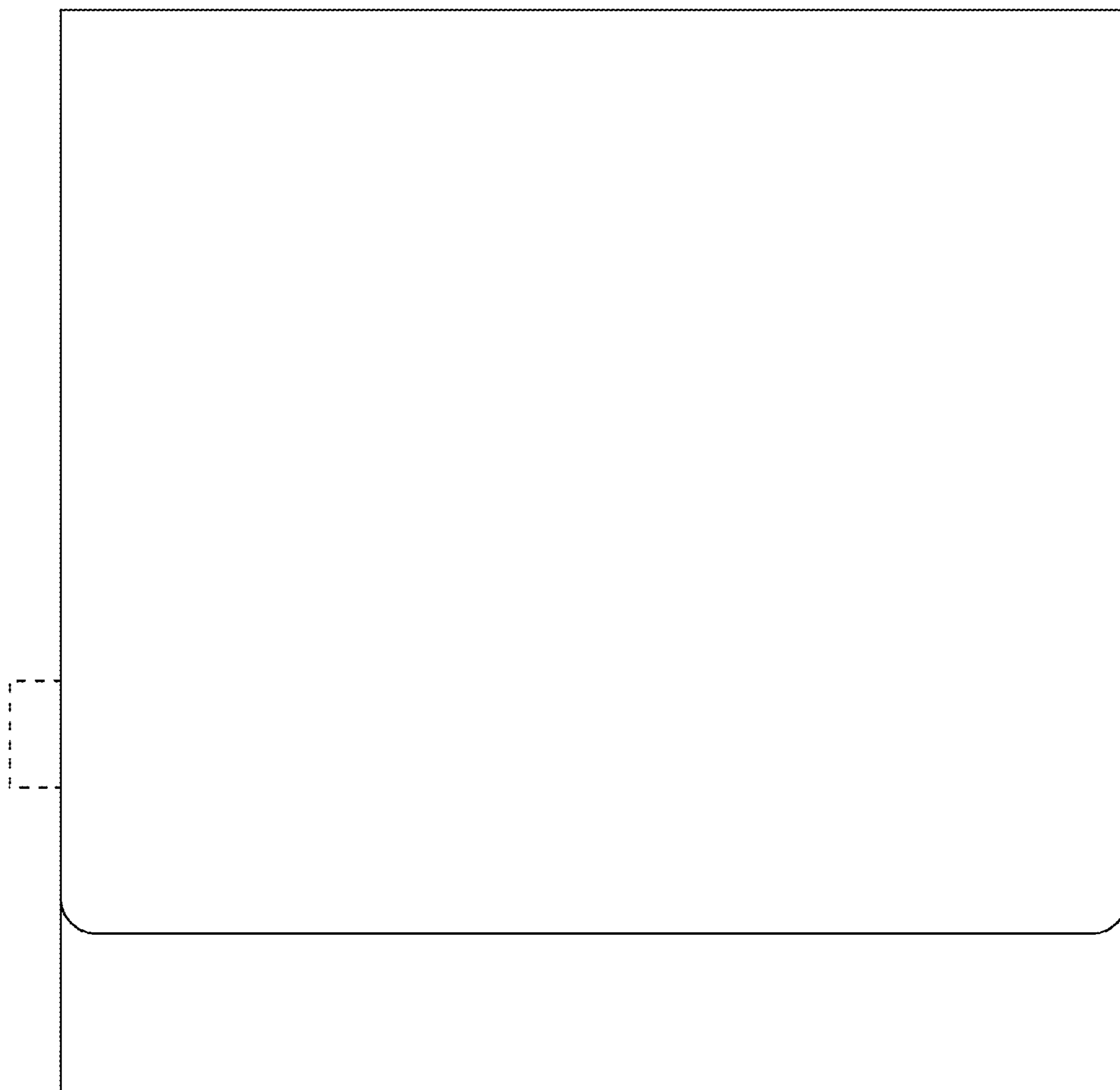


FIG. 6

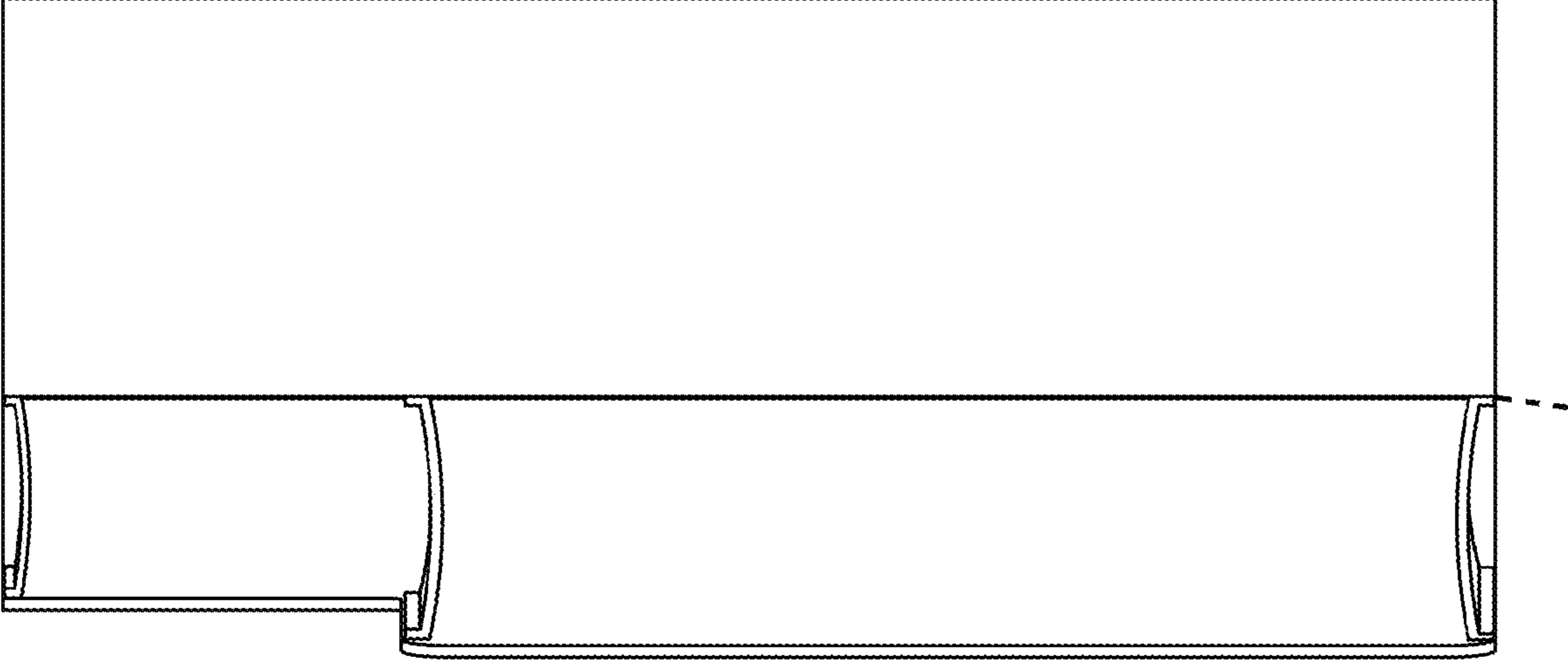


FIG. 7

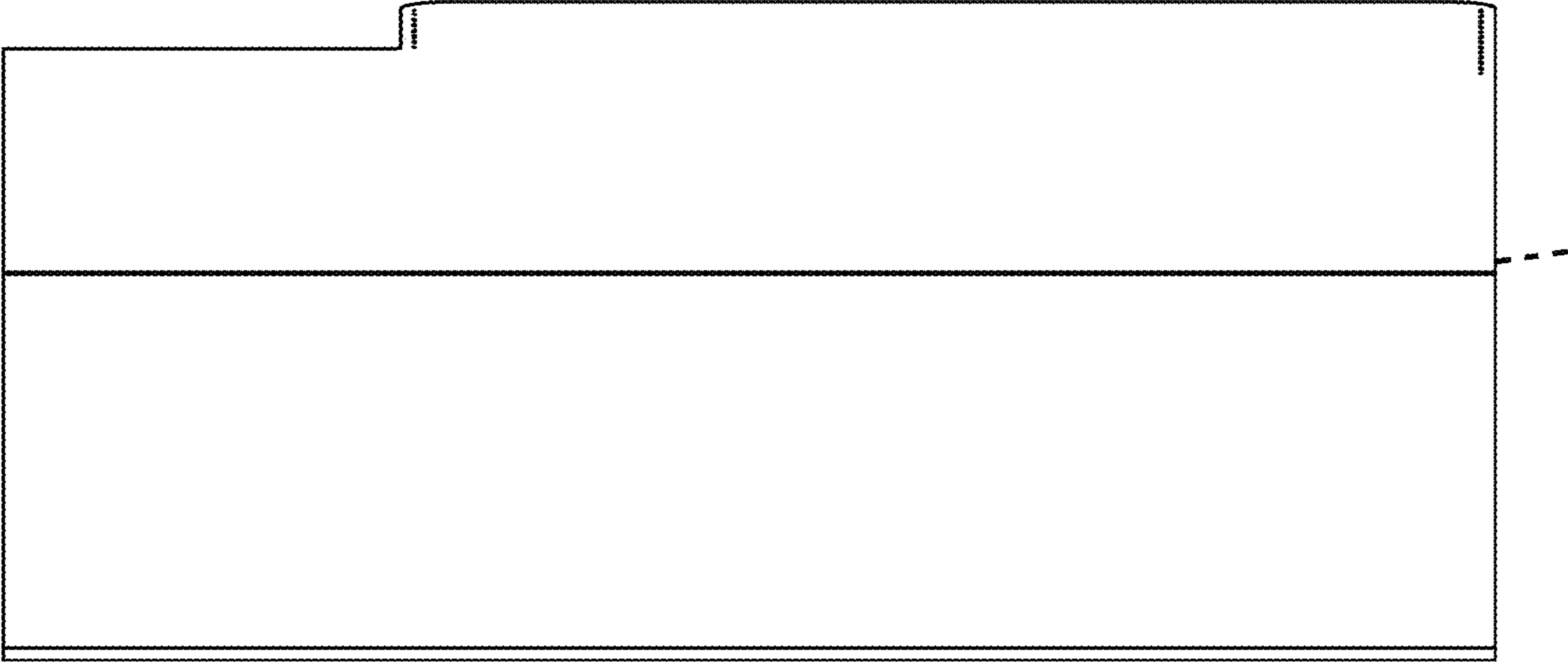


FIG. 8

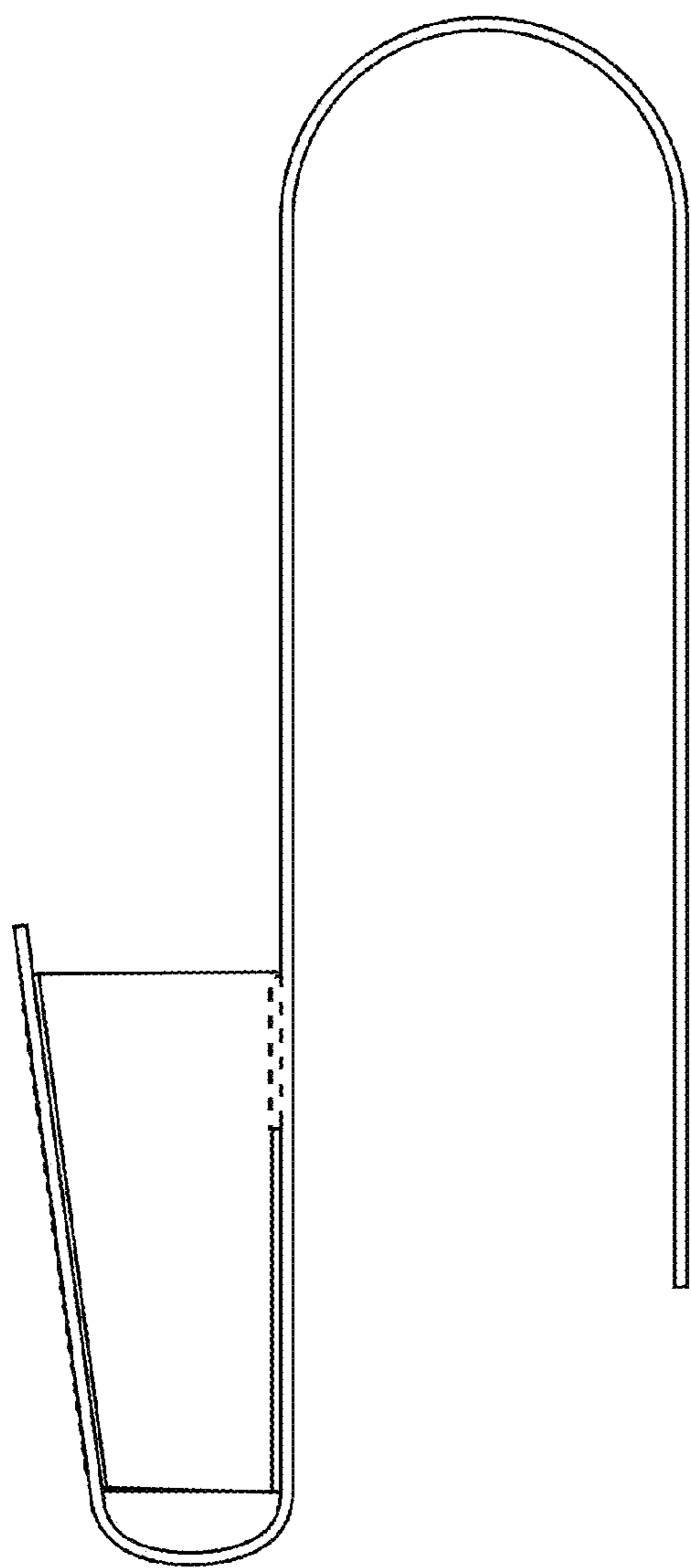


FIG. 9

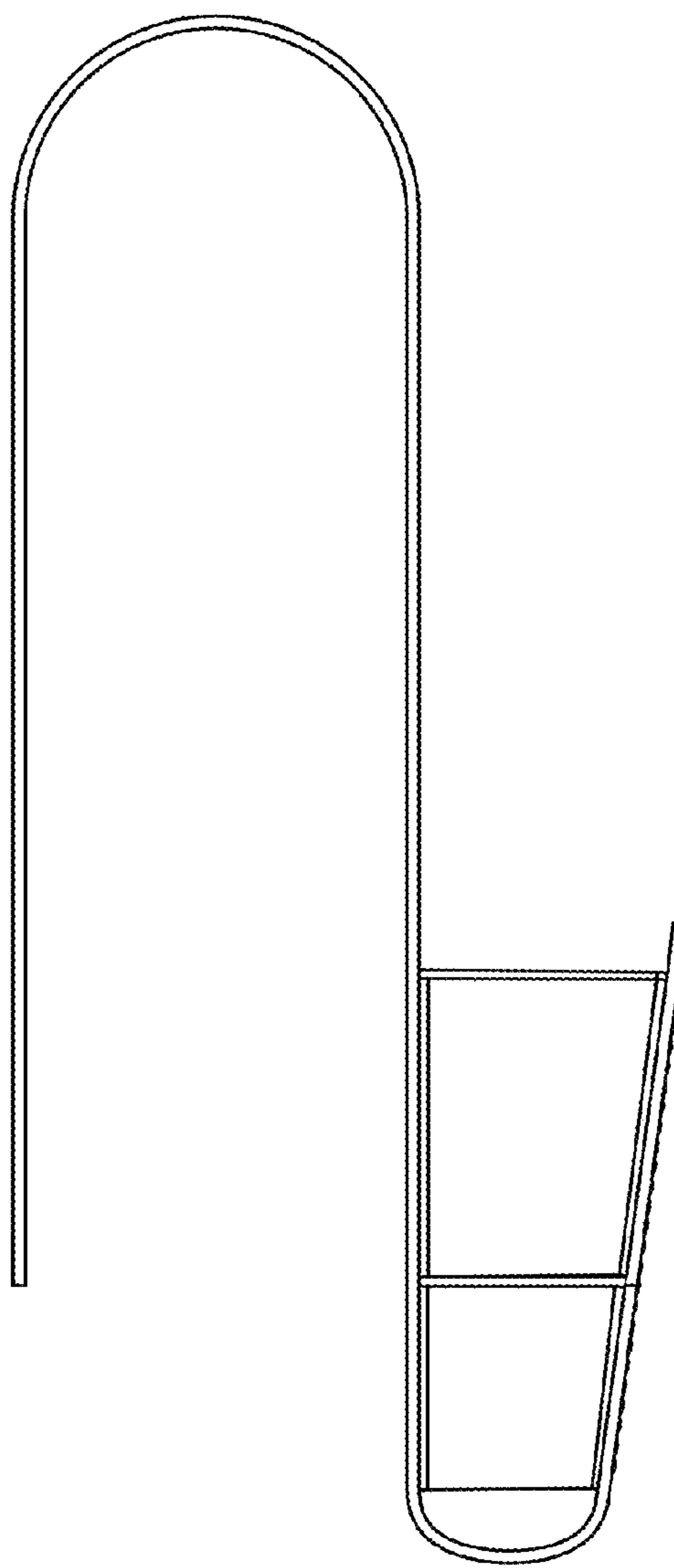


FIG. 10

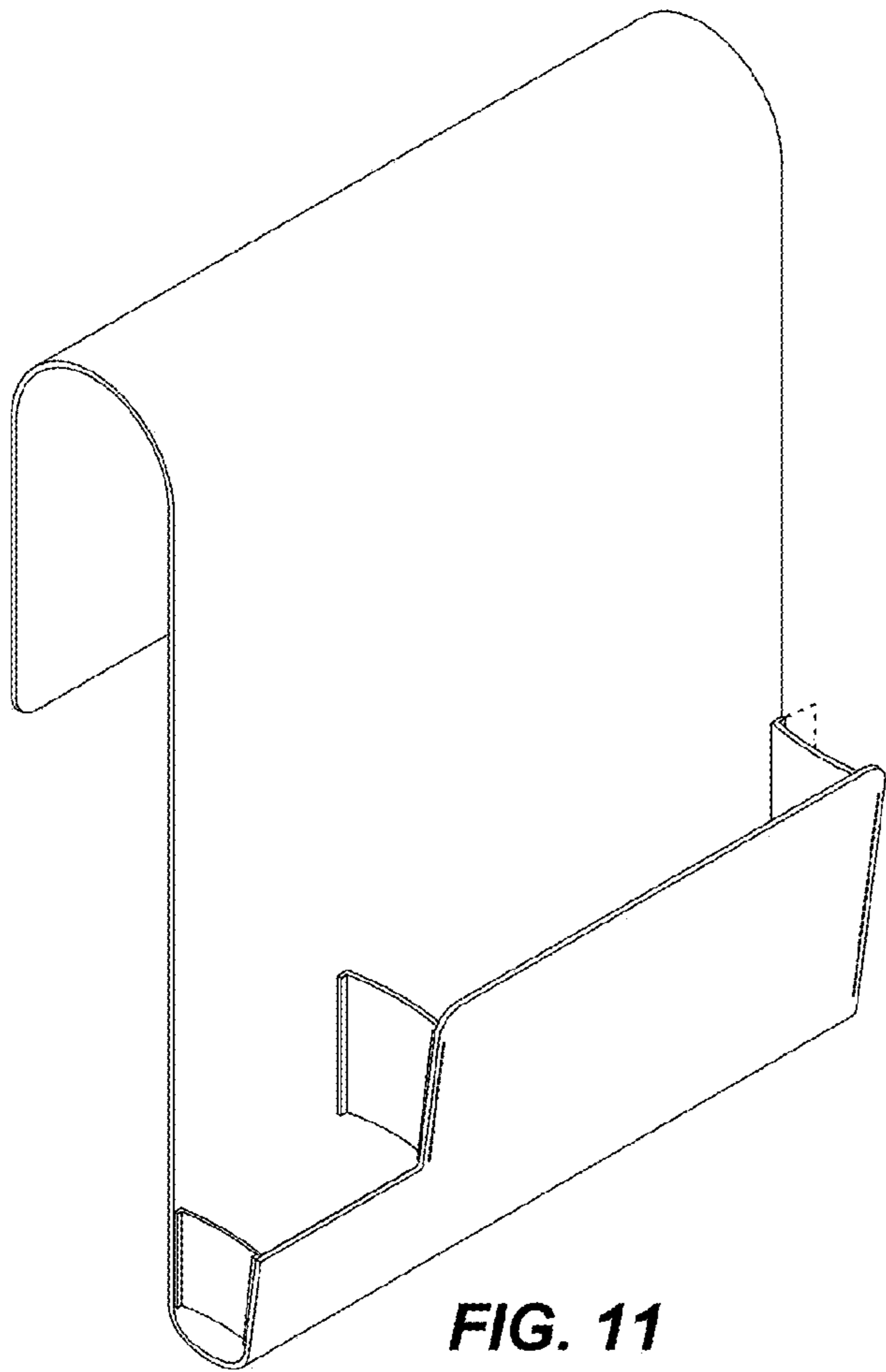


FIG. 11

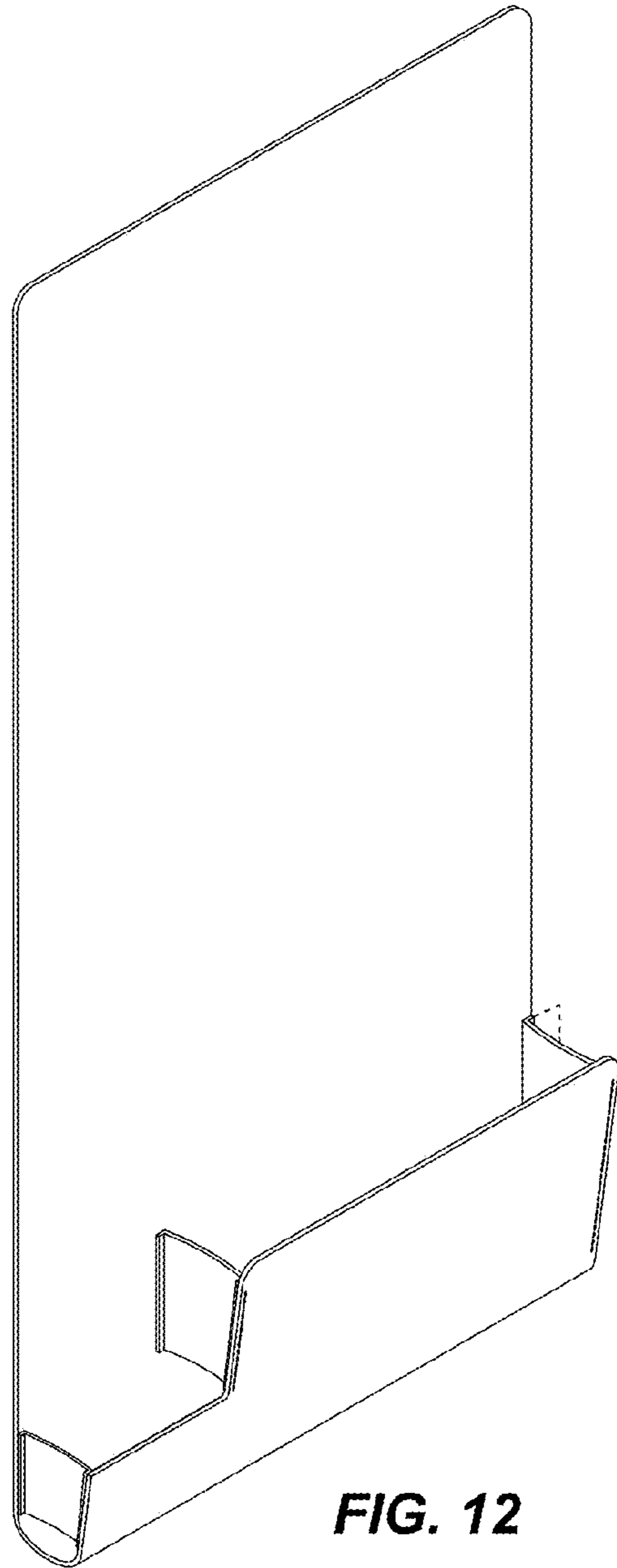


FIG. 12

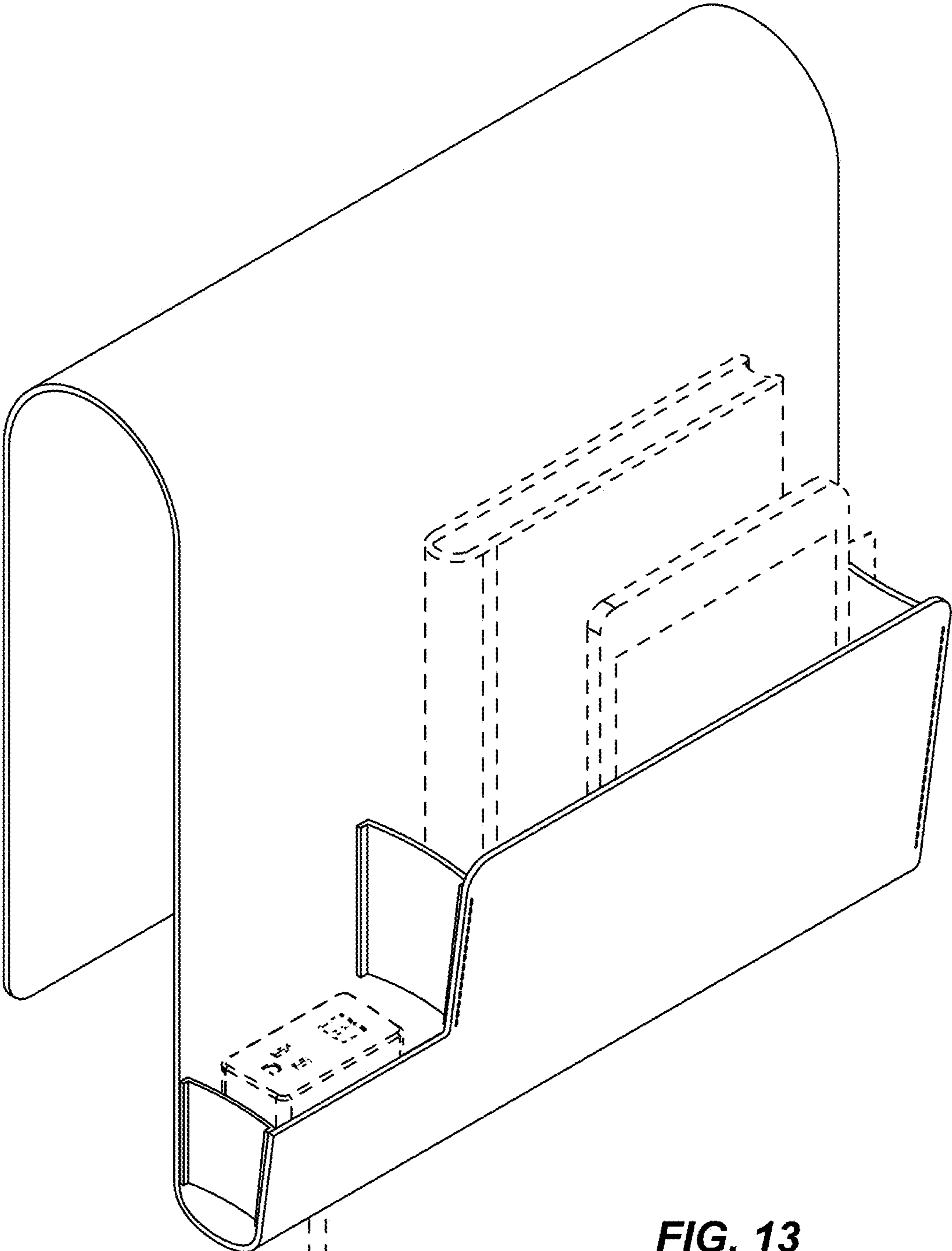


FIG. 13

