



US00D979278S

(12) **United States Design Patent**  
**Pedigo**

(10) **Patent No.:** **US D979,278 S**

(45) **Date of Patent:** **\*\* Feb. 28, 2023**

(54) **FLOATING LAP DESK**

(71) Applicant: **Kevin Pedigo**, Portland, OR (US)

(72) Inventor: **Kevin Pedigo**, Portland, OR (US)

(\*\*) Term: **15 Years**

(21) Appl. No.: **29/778,065**

(22) Filed: **Apr. 9, 2021**

(51) **LOC (14) Cl.** ..... **06-04**

(52) **U.S. Cl.**  
USPC ..... **D6/406.3**

(58) **Field of Classification Search**  
USPC ..... D6/406.3, 406.5, 406.6, 339, 567;  
D19/92; D7/550.1, 554.3, 555, 553.2  
CPC .... A47G 23/00; A47G 23/06; A47G 23/0608;  
A47G 23/08; A47G 23/0625; A47B  
3/002; A47B 3/02; A47B 2003/008; A47B  
17/00; A47B 23/00; A47B 23/001; A47B  
23/002

See application file for complete search history.

(56) **References Cited**

U.S. PATENT DOCUMENTS

4,893,363	A	1/1990	Huff	
D373,198	S *	8/1996	Hill	D6/406.6
5,722,586	A	3/1998	Hansen	
6,044,758	A	4/2000	Drake	
D488,816	S *	4/2004	Tyler	D14/457
8,656,842	B1	2/2014	McDonley	
8,910,838	B2	12/2014	Palmer et al.	
9,999,298	B1 *	6/2018	Sullins	A47B 23/06
D836,937	S *	1/2019	Sullins	D6/406.3
D936,997	S *	11/2021	Li	D6/406.6
D944,554	S *	3/2022	Zhang	D6/406.5
2014/0216306	A1 *	8/2014	Allen	A45F 5/00 108/43
2017/0127811	A1 *	5/2017	Young	A47G 23/06
2018/0064061	A1 *	3/2018	Koskey, Jr.	E06B 7/28
2020/0128953	A1	4/2020	Goldhammer et al.	

(Continued)

FOREIGN PATENT DOCUMENTS

GB 6055284 \* 2/2019  
GB 6116713 \* 2/2021

OTHER PUBLICATIONS

Floating Desk, posted Mar. 19, 2021 [online], [retrieved Dec. 7, 2022]. Retrieved from internet, <https://www.etsy.com/listing/821841620/floating-desk-standing-desk-computer> (Year: 2021).\*

(Continued)

*Primary Examiner* — Cynthia Ramirez  
*Assistant Examiner* — Jeremy S. Swartz

(57) **CLAIM**

The ornamental design for a floating lap desk, as shown and described.

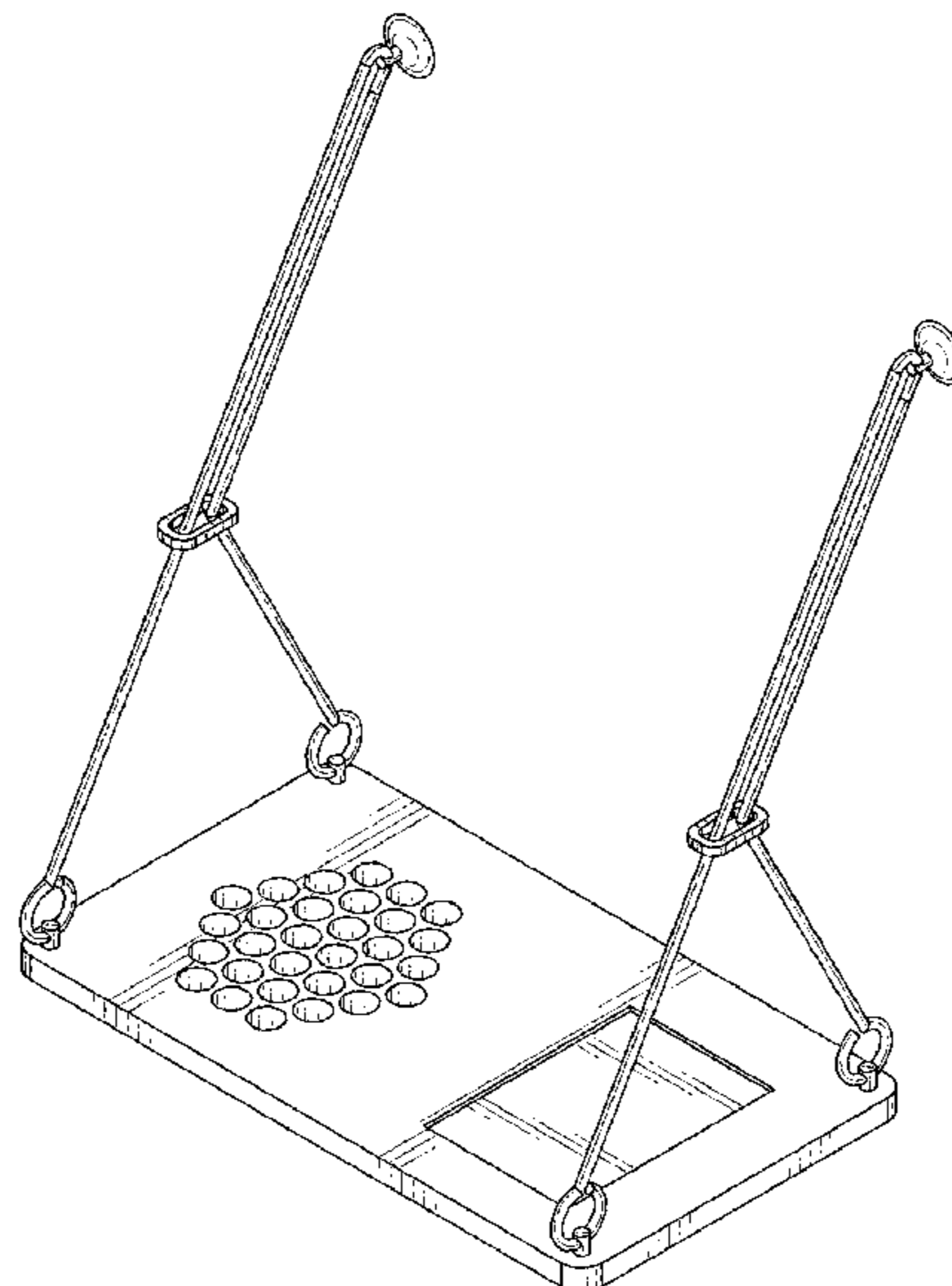
**DESCRIPTION**

FIG. 1 is a perspective view of a floating lap desk; FIG. 2 is a front elevational view thereof; FIG. 3 is a rear elevational view thereof; FIG. 4 is a left-side elevational view thereof; FIG. 5 is a right-side elevational view thereof; FIG. 6 is a top plan view thereof; FIG. 7 is a bottom plan view thereof; FIG. 8 is a perspective view of the desk with cords unattached; FIG. 9 is an enlarged perspective view of the floating lap desk of FIG. 1; and, FIG. 10 is an enlarged perspective view of the floating lap desk of FIG. 8.

The cables and the desk have been shown separately in FIGS. 9 and 10 to show aspects of the design that may not be apparent in the other views.

The broken lines in the drawings show environment and form no part of the claimed design.

**1 Claim, 10 Drawing Sheets**



(56)

**References Cited**

U.S. PATENT DOCUMENTS

2021/0219715 A1\* 7/2021 Goldberg ..... A47B 23/002

OTHER PUBLICATIONS

Rope & Pipe Desk, posted Jan. 13, 2021 [online], [retrieved Dec. 7, 2022]. Retrieved from internet, <https://www.etsy.com/listing/266270614/rope-pipe-desk-farmhouse-suspended-wood> (Year: 2021).\*

Hanging Window Desk, posted Jul. 31, 2020 [online], [retrieved Dec. 7, 2022]. Retrieved from internet, <https://www.etsy.com/shop/MonkeyBusinessDesk> (Year: 2020).\*

Feterr Laptop Bed Desk, posted unknown [online], [retrieved Dec. 7, 2022]. Retrieved from internet, <https://www.amazon.com/Feterr-Foldable-Portable-Multifunctional-Computer/dp/B0B4YTTZ7V?th=1> (Year: 2022).\*

Cat Window Perch, posted unknown [online], [retrieved Dec. 7, 2022]. Retrieved from internet, <https://www.amazon.com/Window-Hammock-Saving-Mounted-Premium/dp/B07MH7WTSN?th=1> (Year: 2022).\*

Granita Floating Desk, posted May 1, 2021 [online], [retrieved Dec. 7, 2022]. Retrieved from internet, <https://www.wayfair.com/furniture/pdp/etta-avenue-granita-floating-desk-w004599500.html> (Year: 2021).\*

EZ Mount Cat Window Perch, <https://www.chewy.com/kh-pet-products-ez-mount-cat-window/dp/128080>.

\* cited by examiner

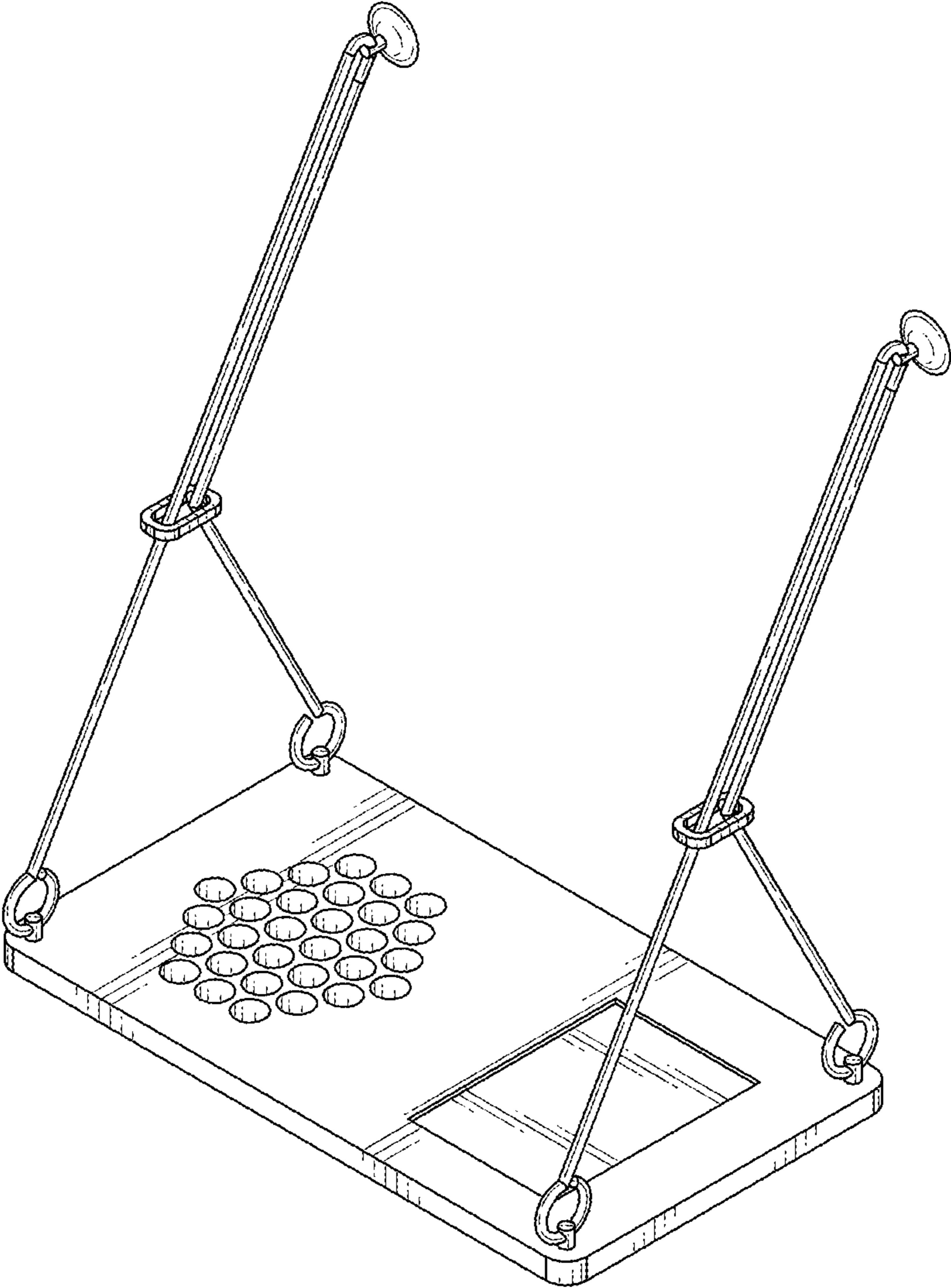


FIG. 1

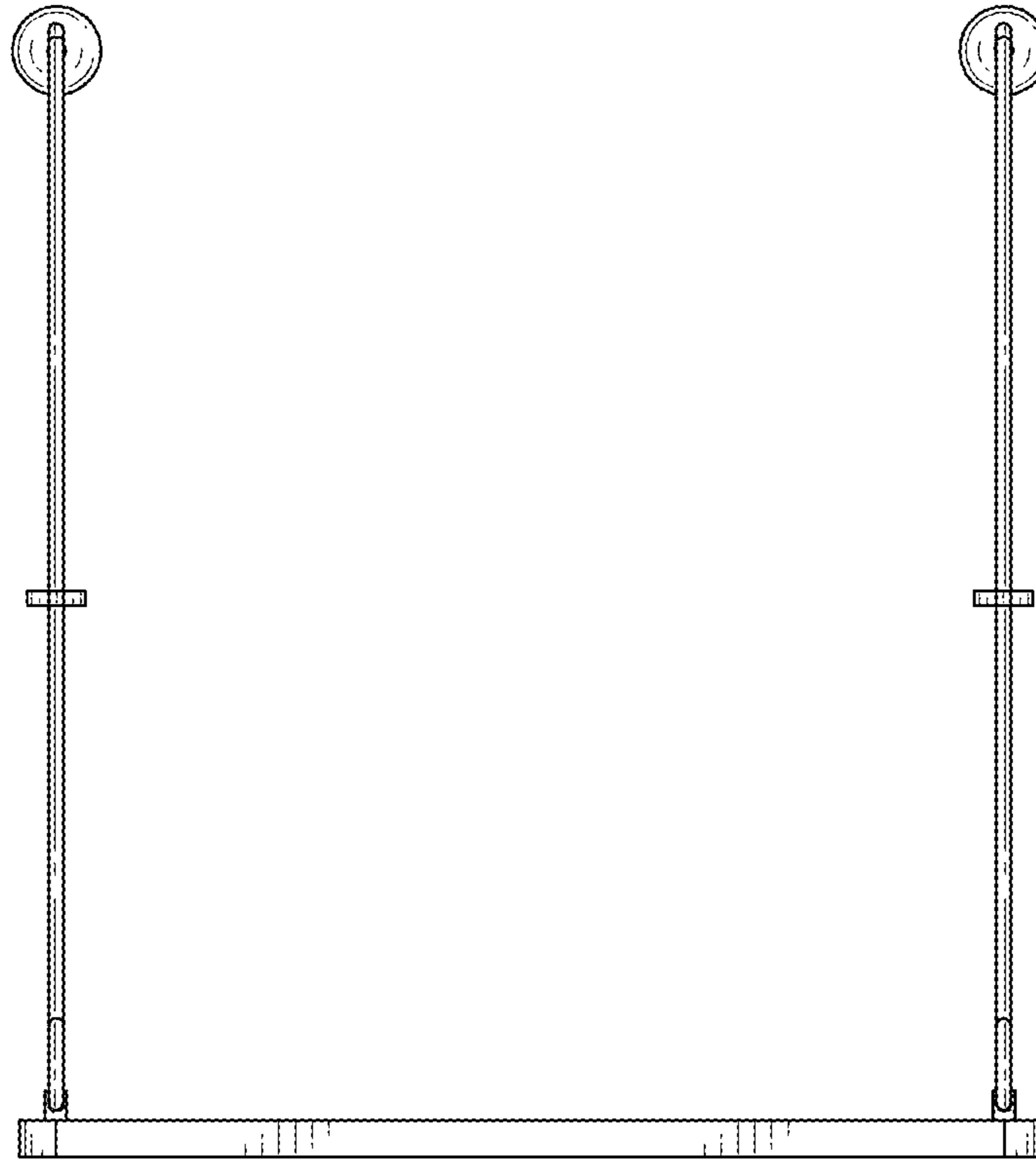


FIG. 2

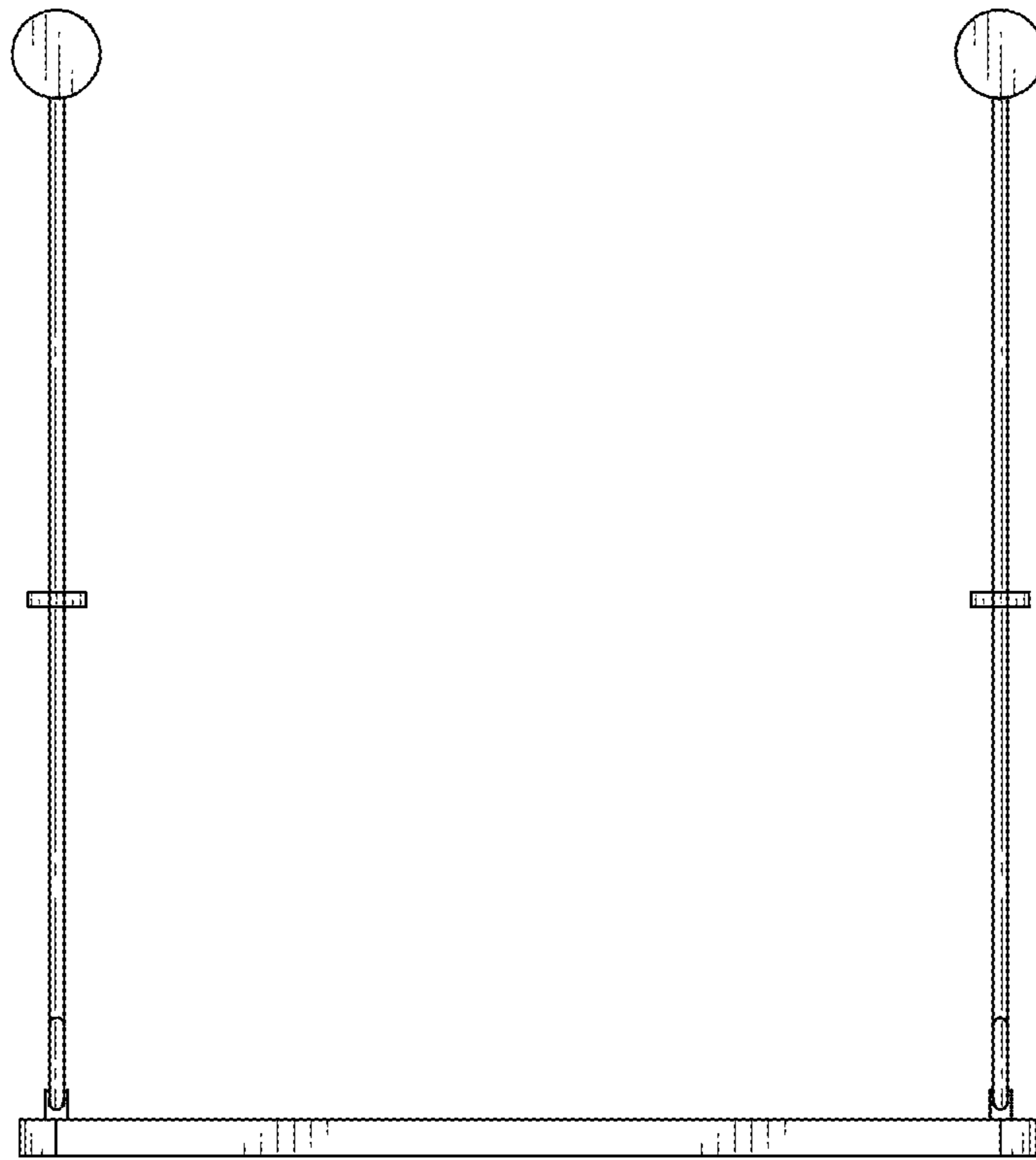


FIG. 3

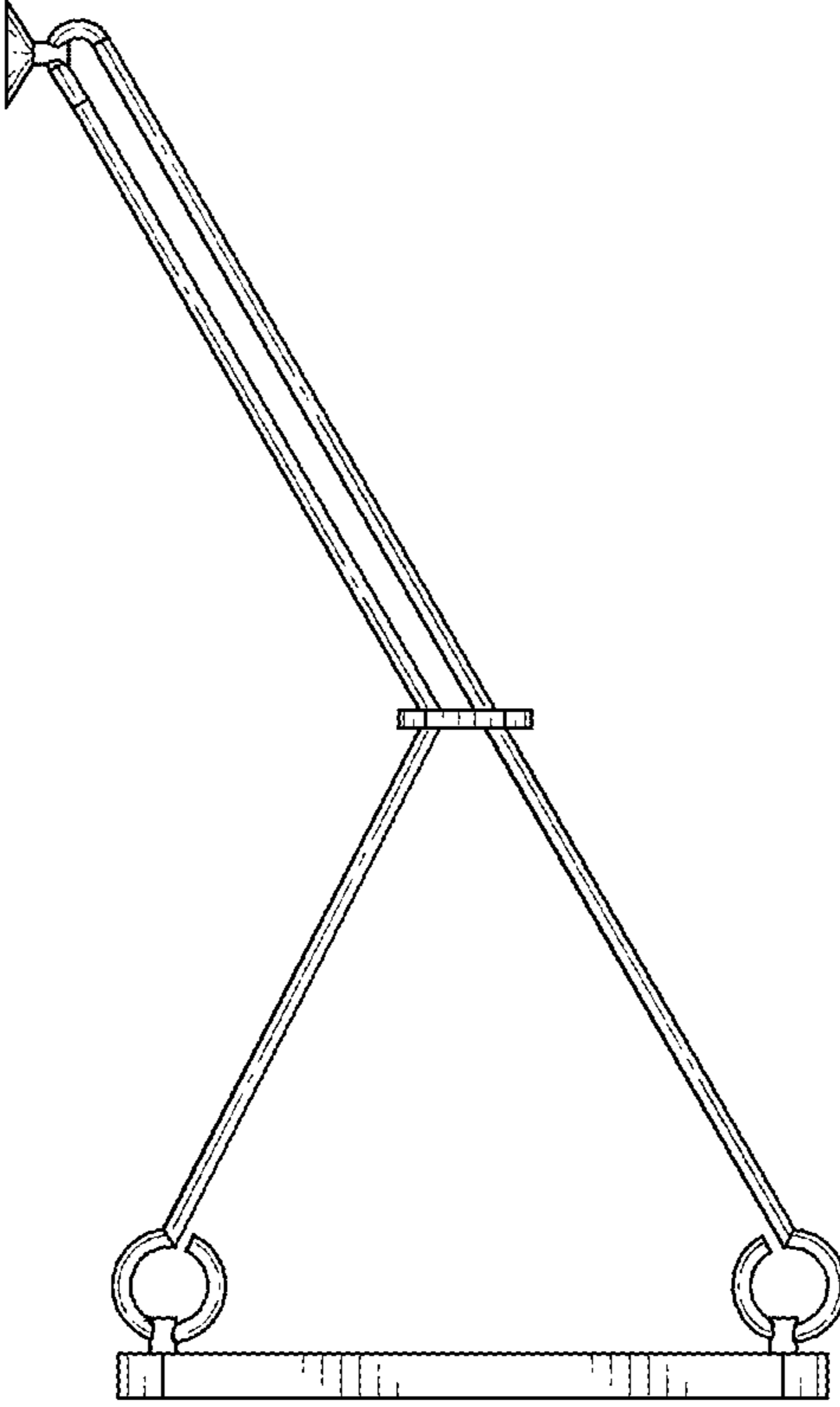


FIG. 4

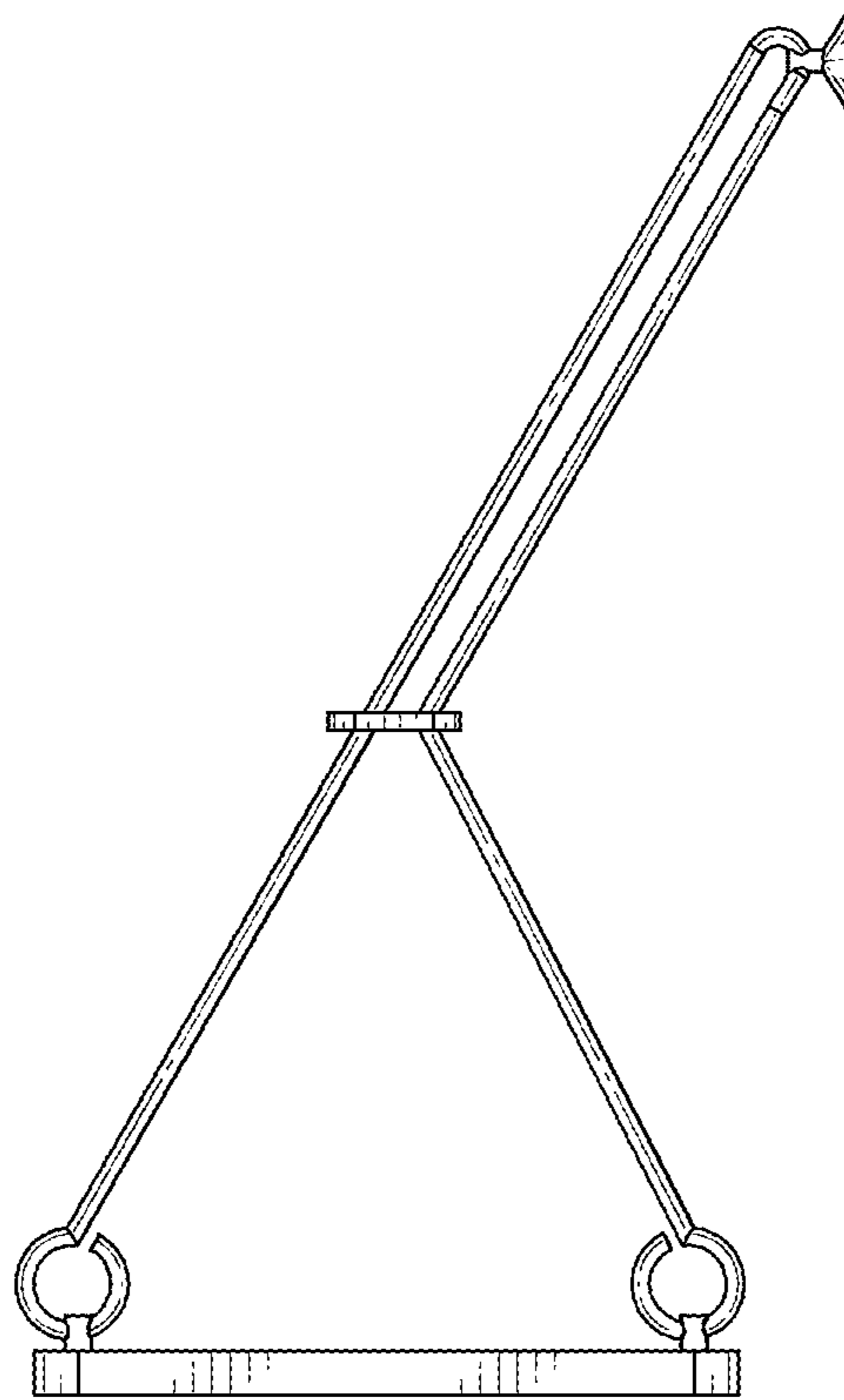


FIG. 5



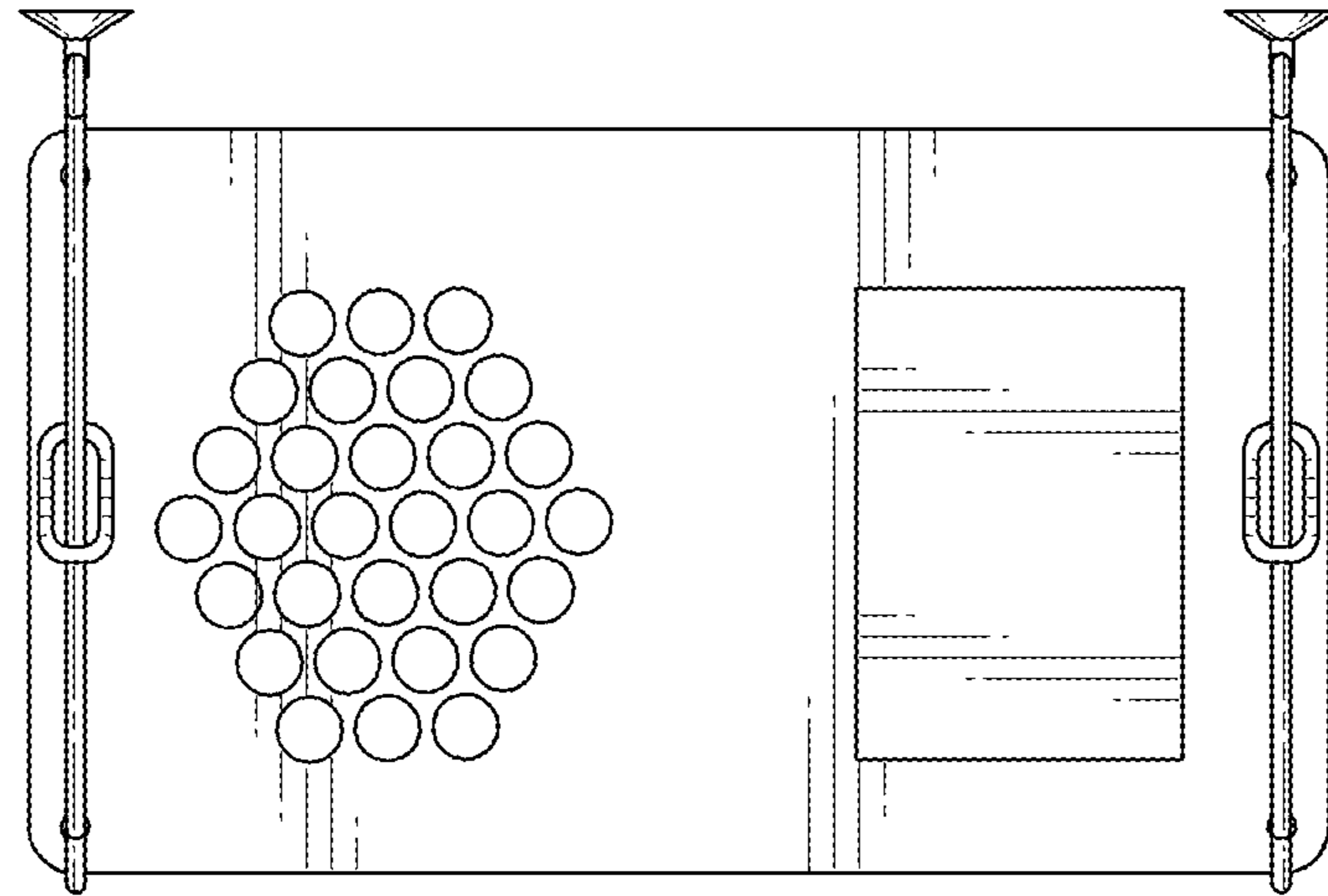


FIG. 6



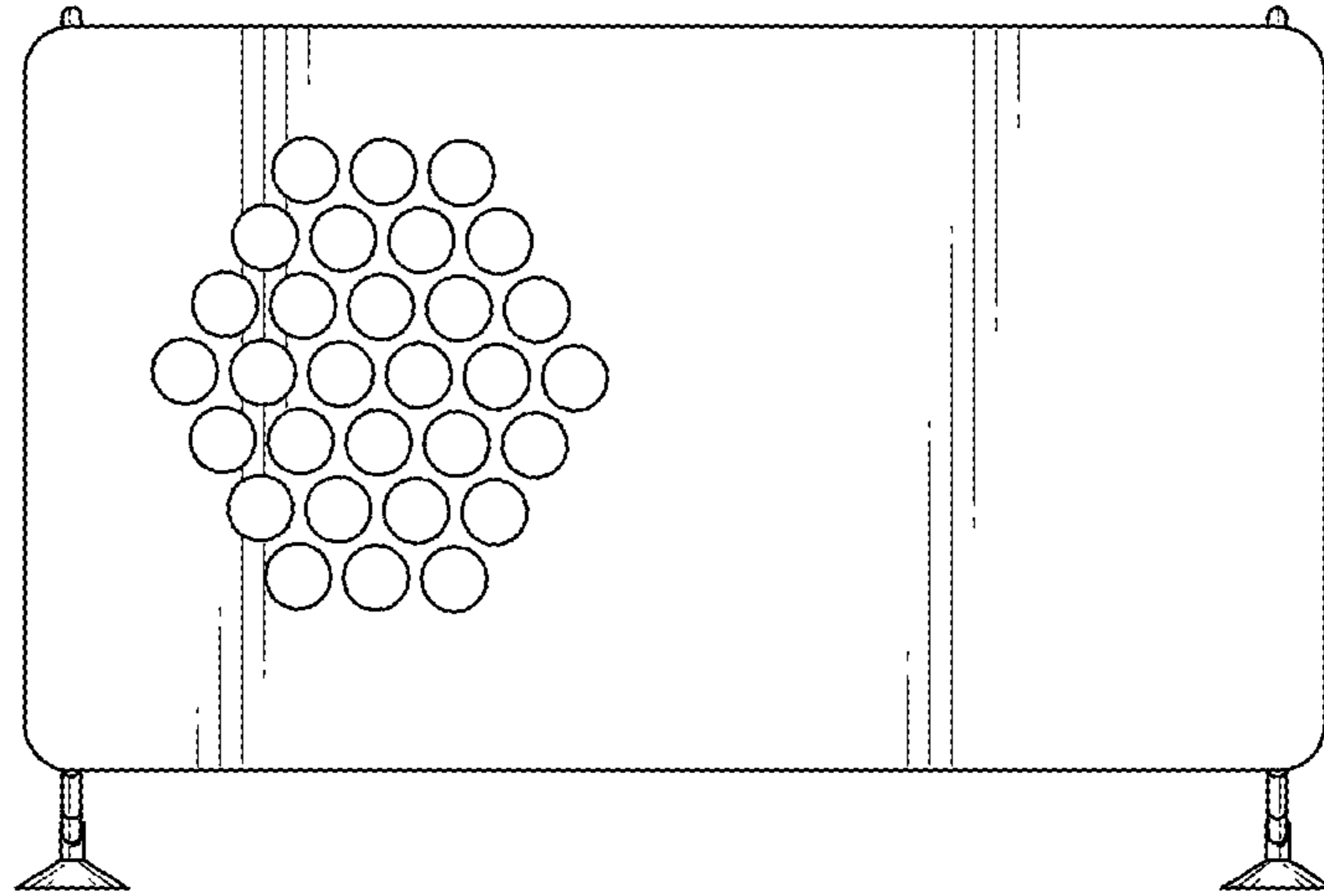


FIG. 7

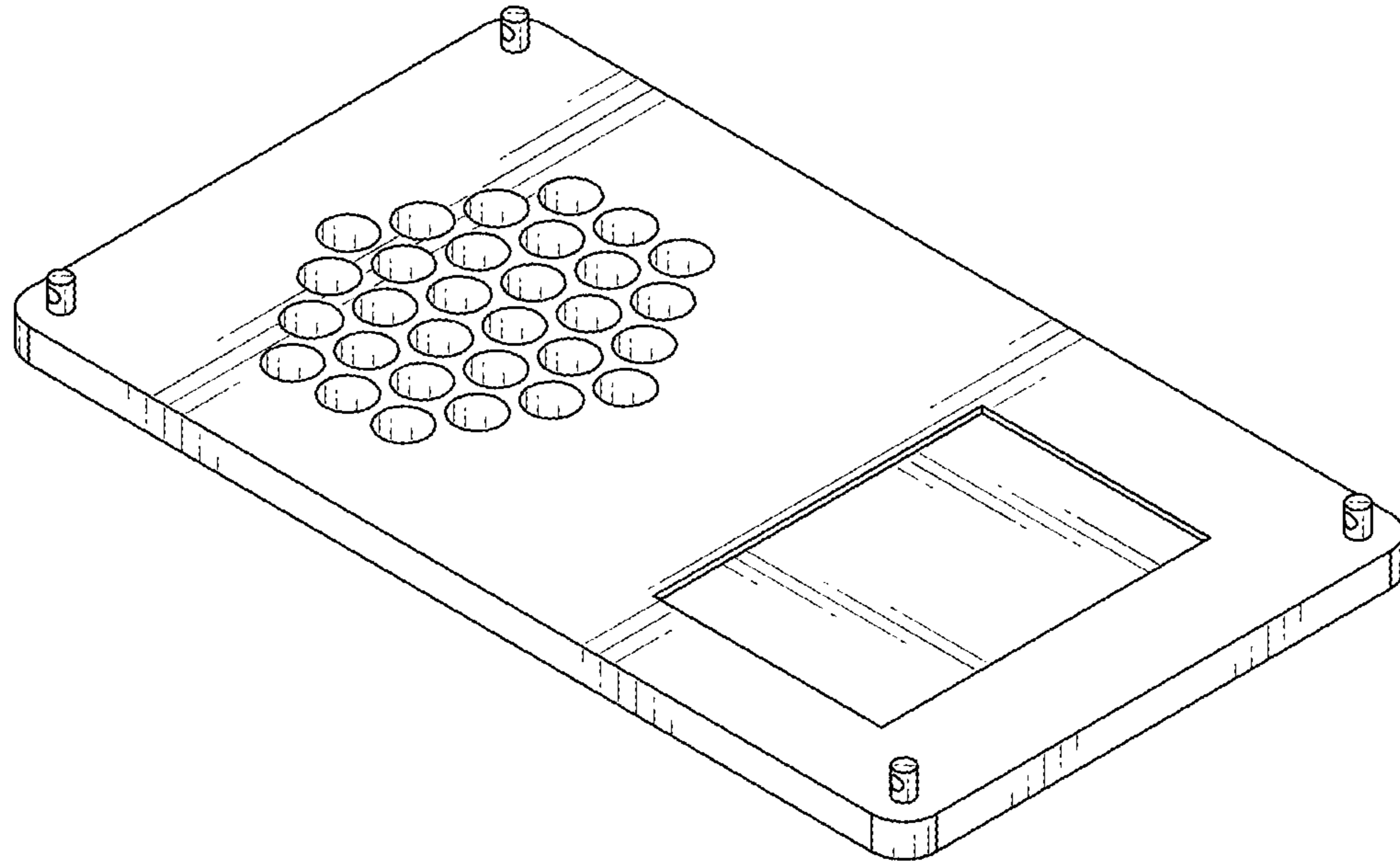


FIG. 8

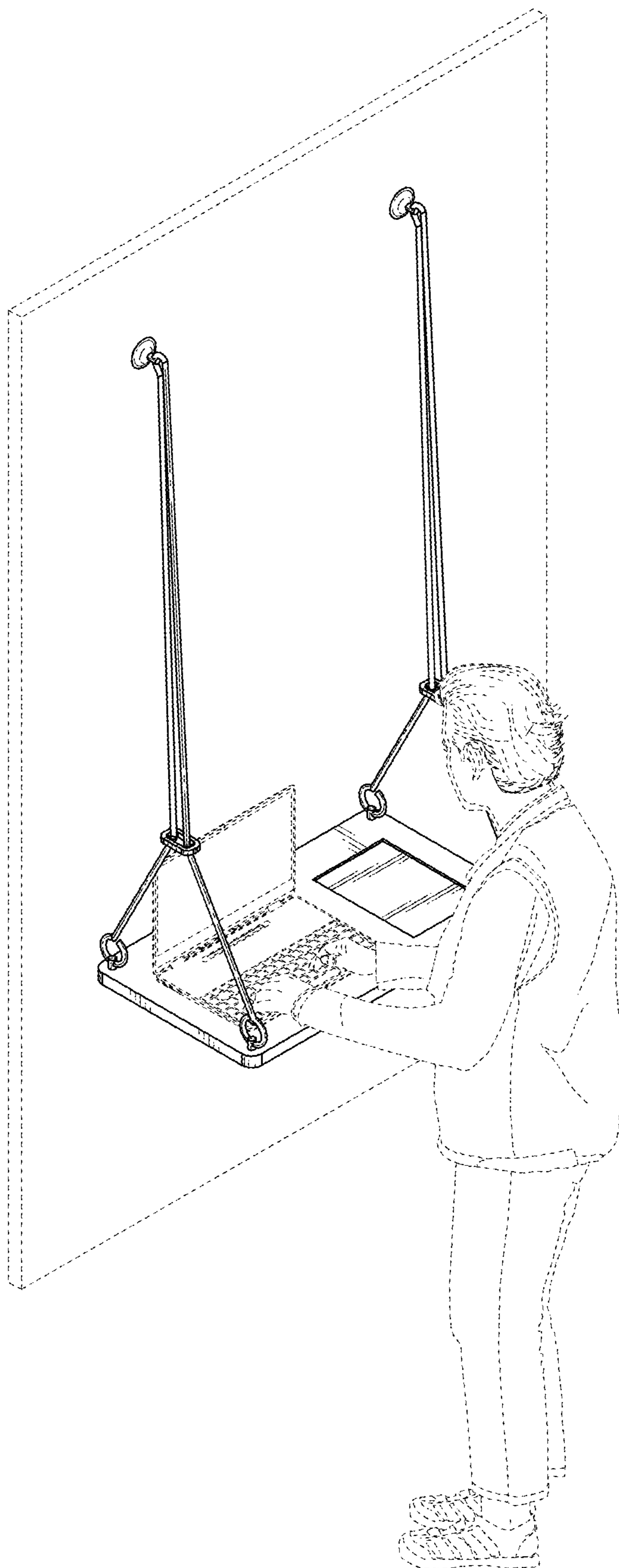


FIG. 9

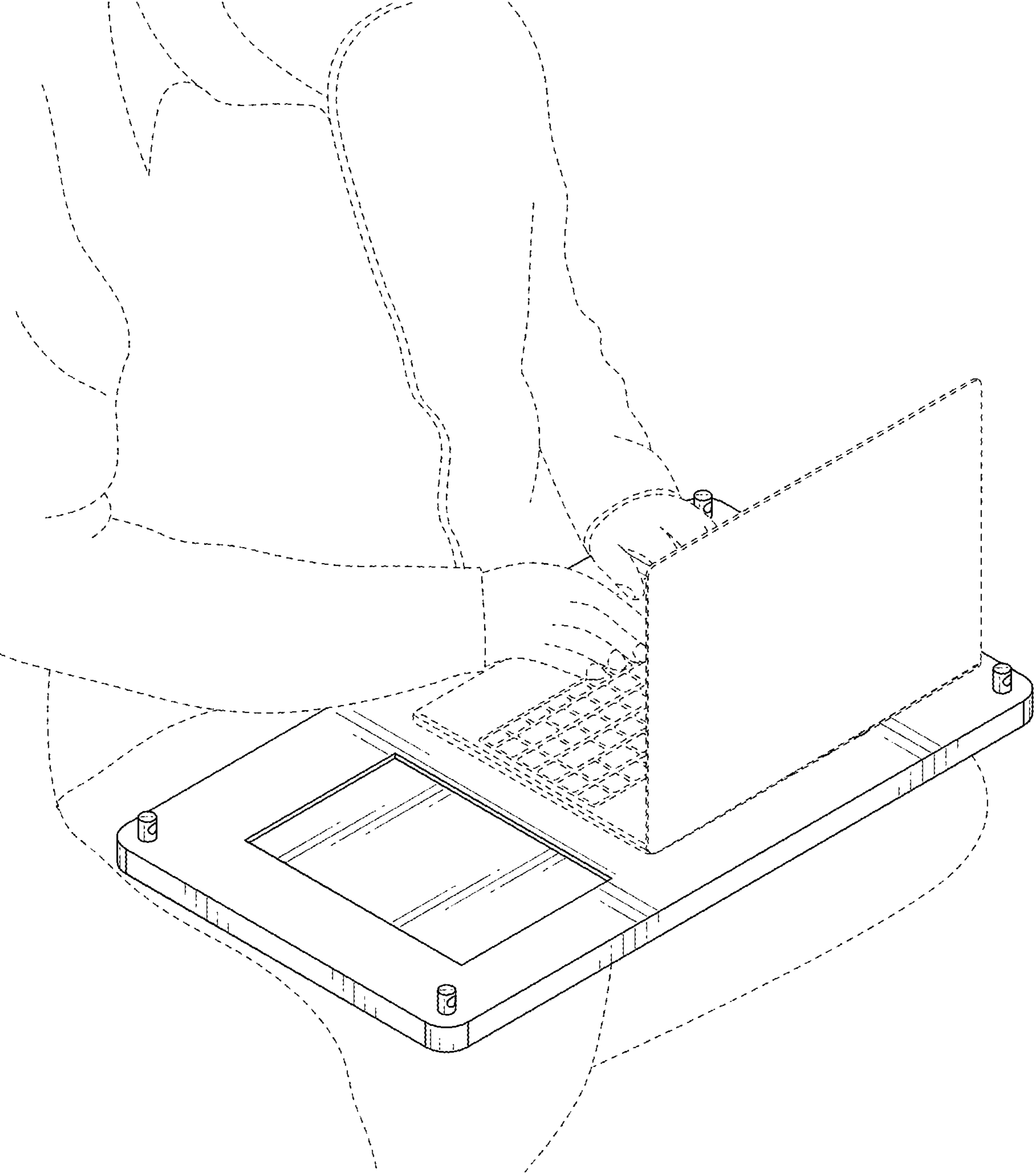


FIG. 10