

US00D979275S

(12) **United States Design Patent** (10) **Patent No.:** **US D979,275 S**
Bowers (45) **Date of Patent:** **** Feb. 28, 2023**

- (54) **BASSINET**
- (71) Applicant: **Wonderland Switzerland AG**,
Steinhausen (CH)
- (72) Inventor: **Patrick J. G. Bowers**, West Chester,
PA (US)
- (73) Assignee: **WONDERLAND SWITZERLAND**
AG, Steinhausen (CH)
- (**) Term: **15 Years**
- (21) Appl. No.: **29/742,407**
- (22) Filed: **Jan. 6, 2021**
- (51) **LOC (14) Cl.** **06-02**
- (52) **U.S. Cl.**
USPC **D6/390**
- (58) **Field of Classification Search**
USPC D6/331, 382, 389, 390, 391, 392, 718,
D6/718.26; D21/520
CPC A47D 13/06; A47D 13/061; A47D 13/063;
A47D 5/006; A47D 9/00; A47D 9/005;
A47D 7/00; A47D 7/002
See application file for complete search history.

- 2013/0145545 A1* 6/2013 Yan A47D 7/00
5/93.1
- 2014/0068857 A1* 3/2014 Jackson A47D 13/063
5/98.1
- 2015/0007387 A1* 1/2015 Lo A47D 9/005
5/98.1
- 2017/0276157 A1* 9/2017 Hu F16B 5/0692
- 2018/0035821 A1* 2/2018 Bass-Conn A47D 9/00

OTHER PUBLICATIONS

Graco My View 4-in-1 Bassinet, available on Walmart.com, oldest review of Jan. 7, 2020, site visited Jun. 21, 2022, <https://www.walmart.com/ip/Graco-My-View-4-in-1-Bassinet-Infant-and-Travel-Bassinet-in-One-Ramley/324995552?wmlspartner=wlpas&selectedSell> (Year: 2020).*

* cited by examiner

Primary Examiner — Mary Ann Calabrese
Assistant Examiner — Mark David Wolfley
(74) *Attorney, Agent, or Firm* — Bacon & Thomas, PLLC

(57) **CLAIM**

The ornamental design for a bassinet, as shown and described.

DESCRIPTION

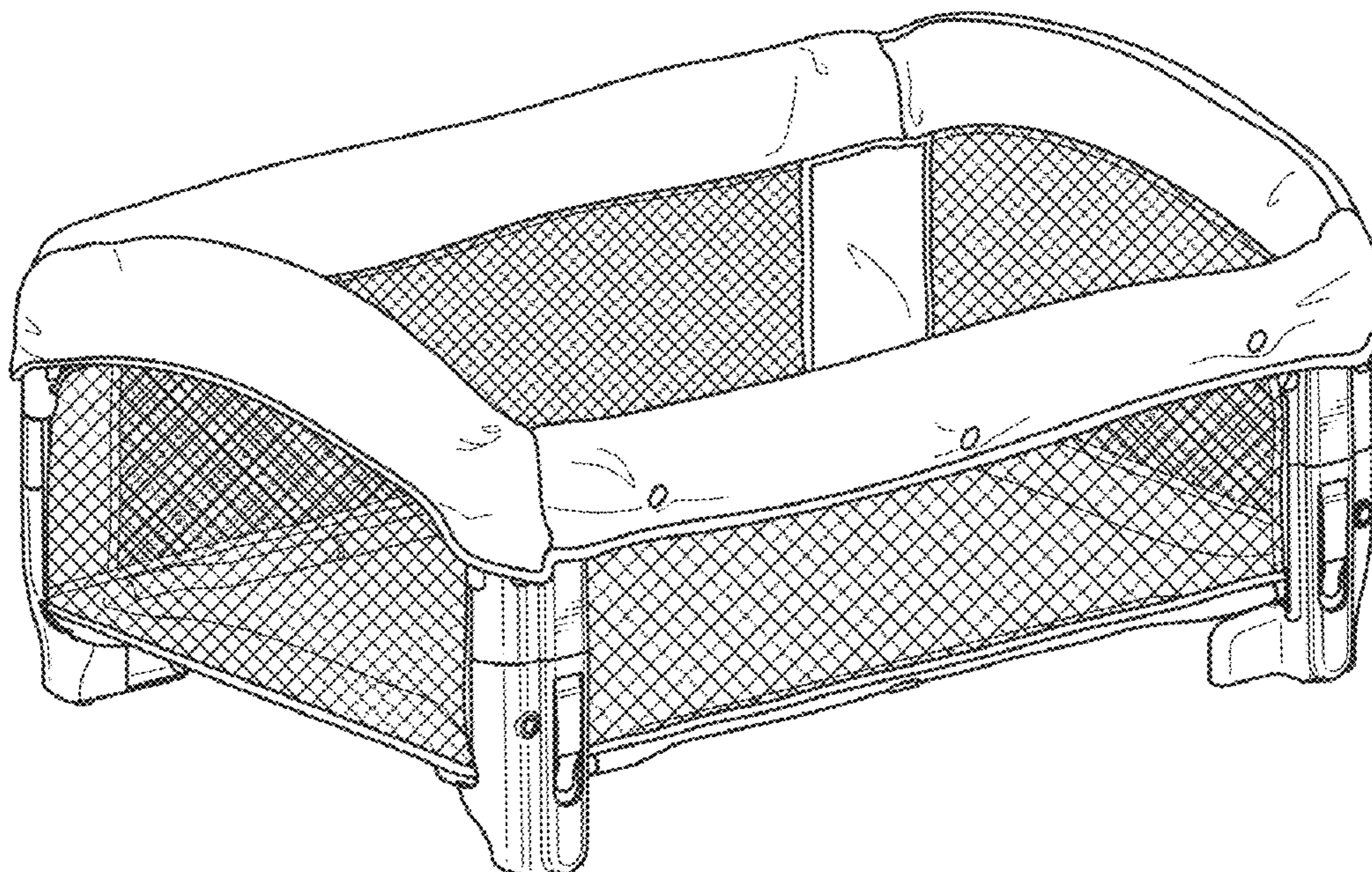
FIG. 1 is a perspective view of a bassinet showing my new design;
FIG. 2 is a front view of FIG. 1;
FIG. 3 is a rear view of FIG. 1;
FIG. 4 is a left side view of FIG. 1;
FIG. 5 is a right side view of FIG. 1;
FIG. 6 is a top view of FIG. 1; and,
FIG. 7 is a bottom view of FIG. 1.

1 Claim, 4 Drawing Sheets

(56) **References Cited**

U.S. PATENT DOCUMENTS

- 6,588,033 B1* 7/2003 Welsh, Jr. A47D 7/002
5/98.1
- 7,401,366 B1* 7/2008 Costa A47D 13/06
5/663
- 9,962,012 B1* 5/2018 Schmid A47D 9/00
- 2002/0166170 A1* 11/2002 Hartenstine A47D 13/063
5/99.1
- 2010/0269256 A1* 10/2010 Lin A47D 13/063
5/282.1



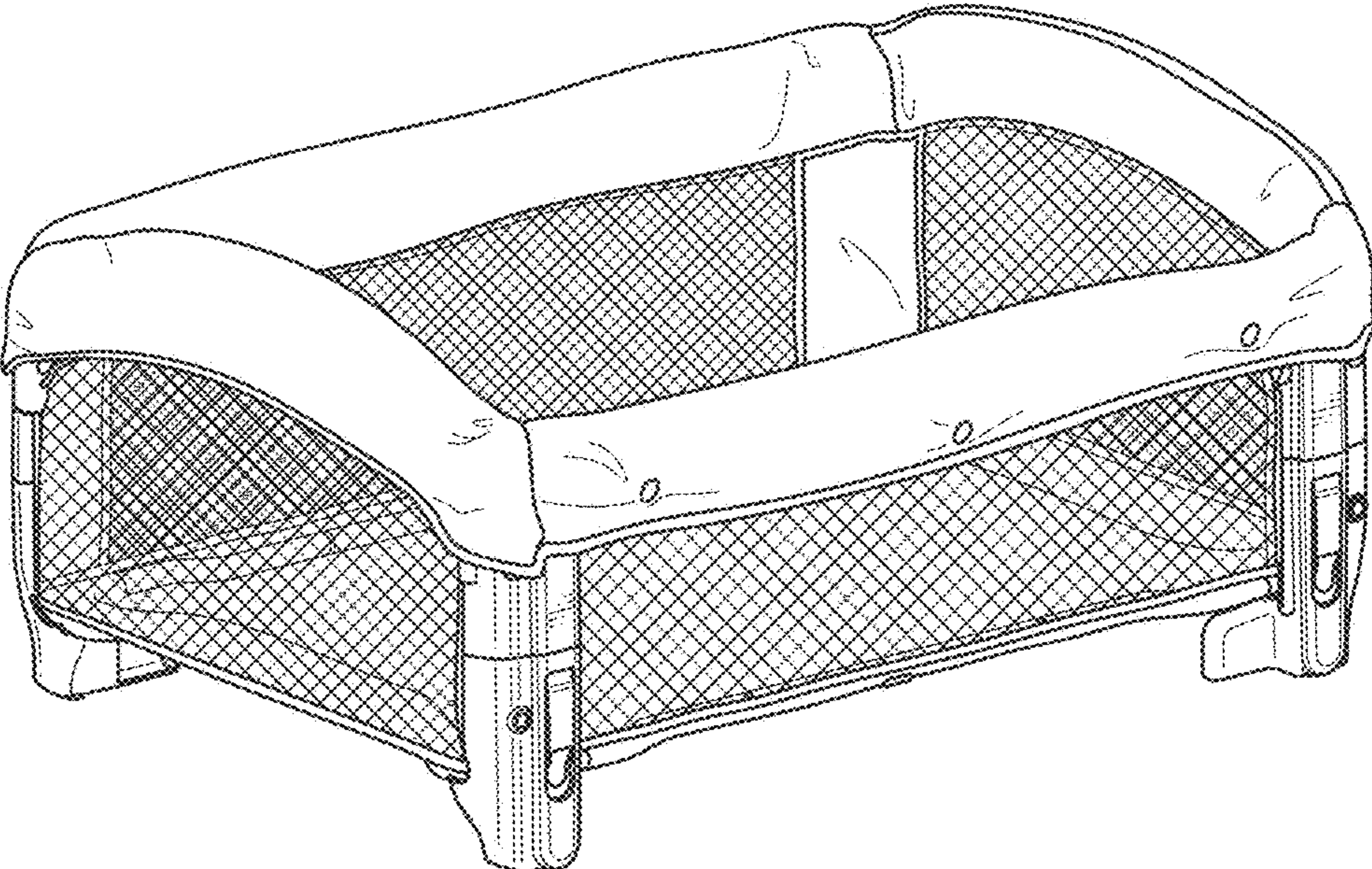


FIG. 1

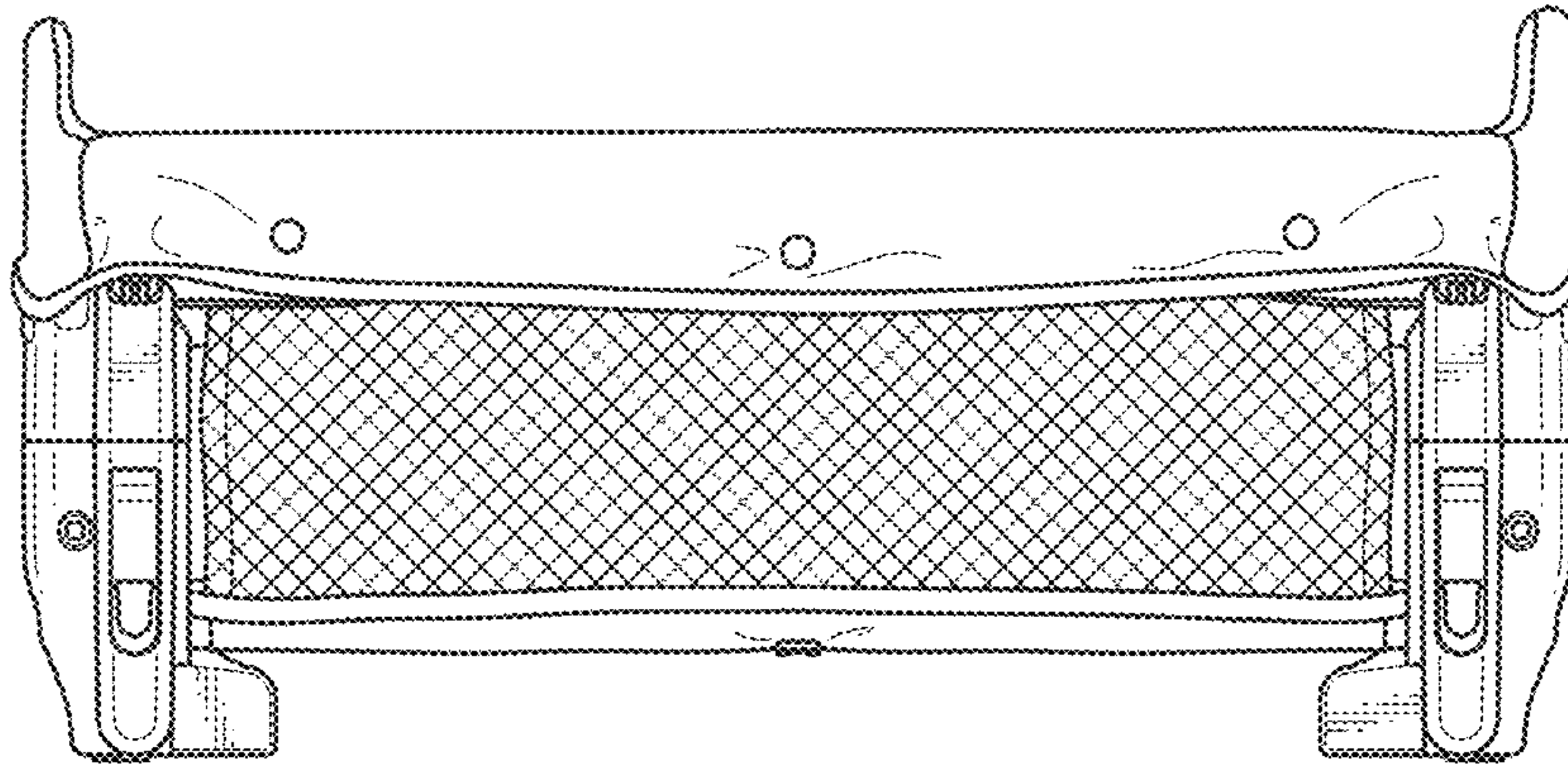


FIG. 2

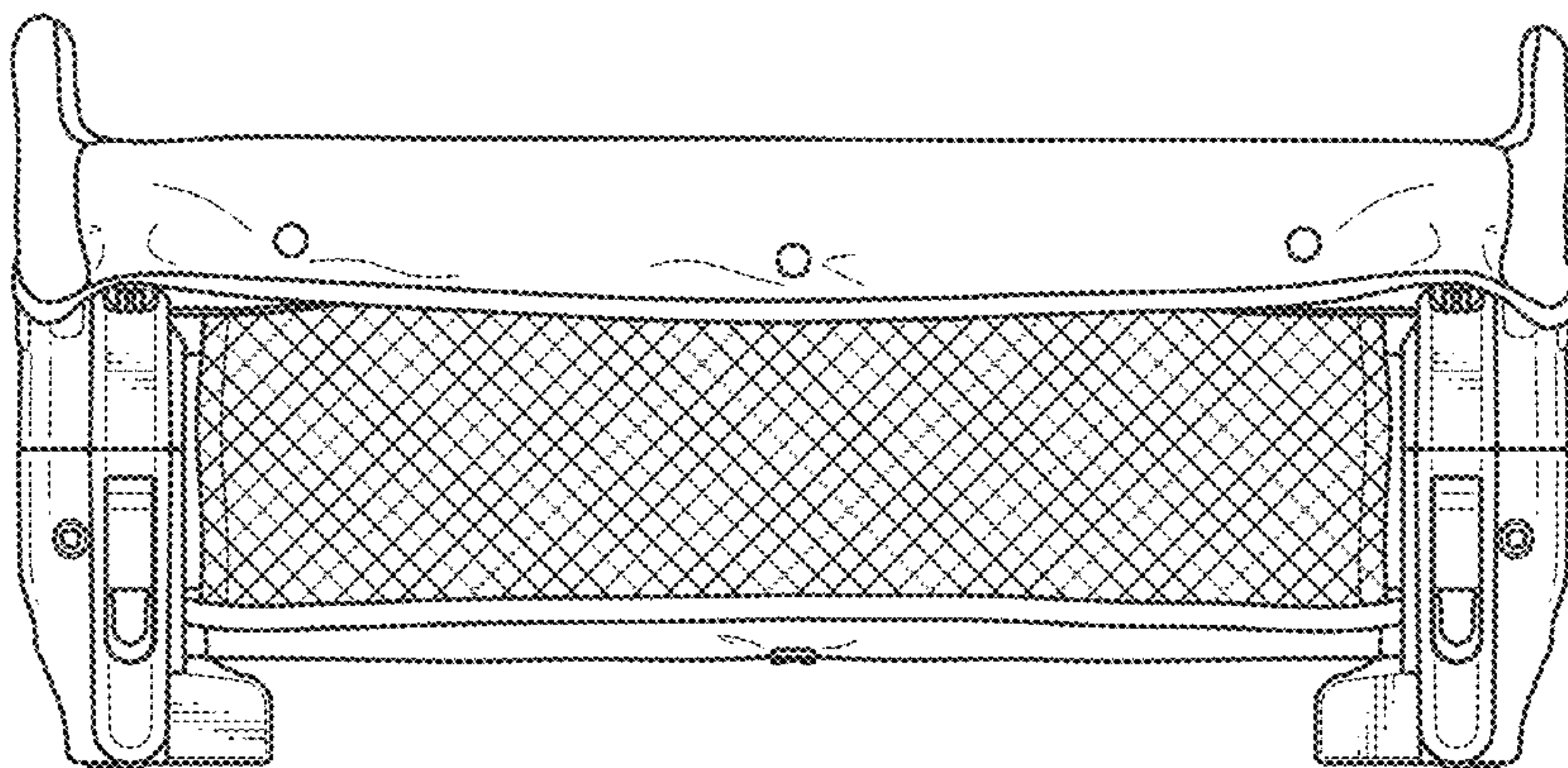


FIG. 3

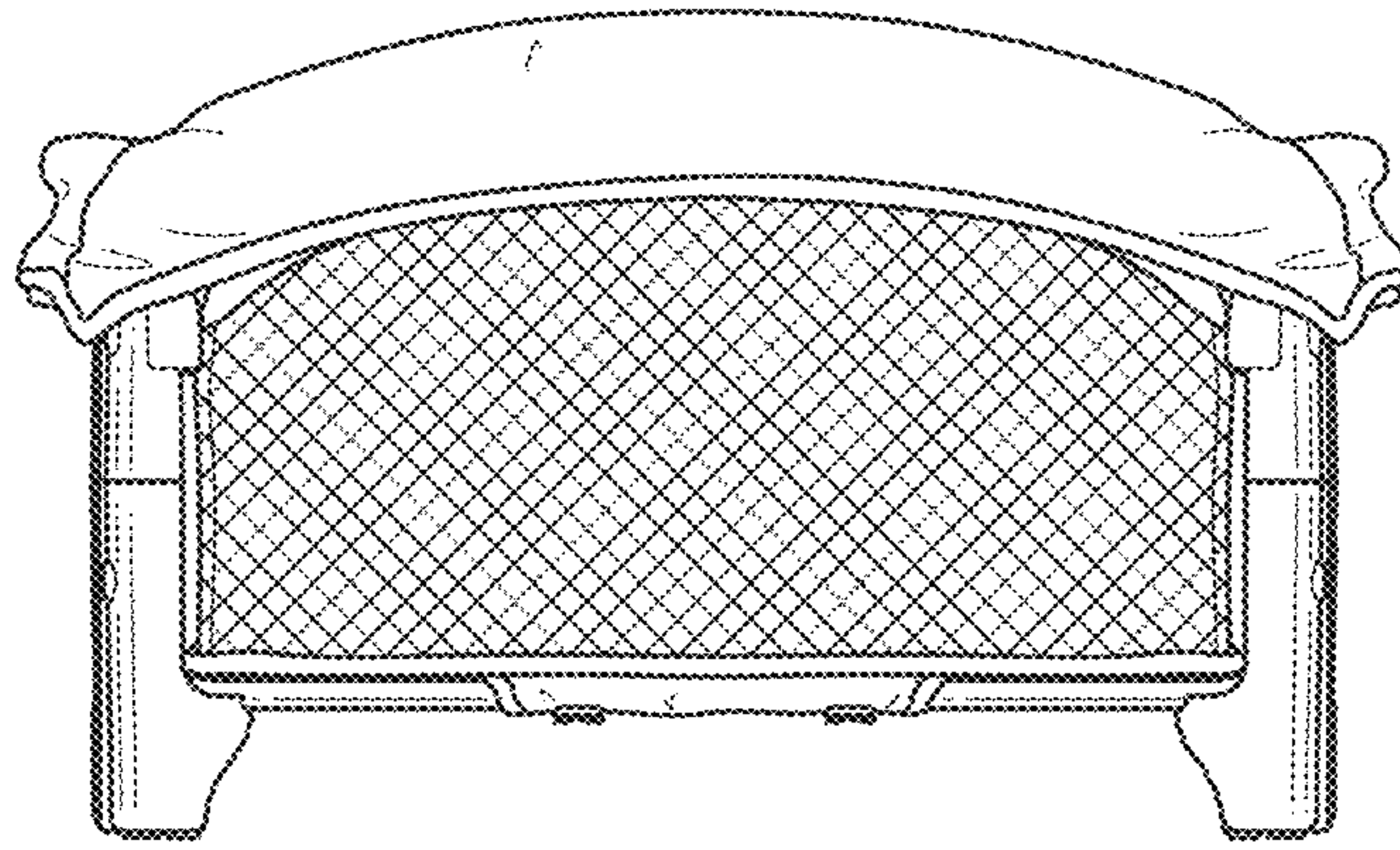


FIG. 4

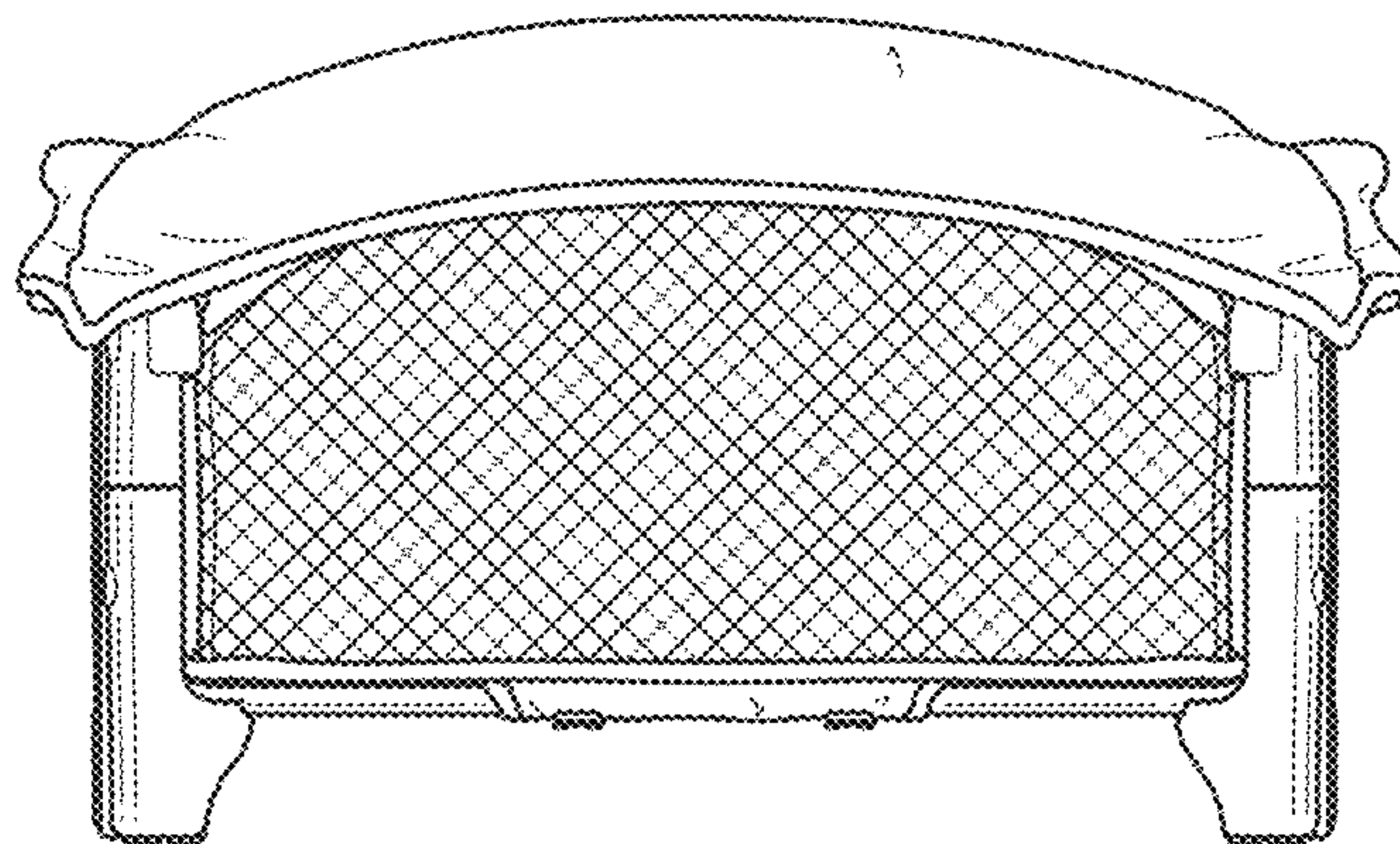


FIG. 5

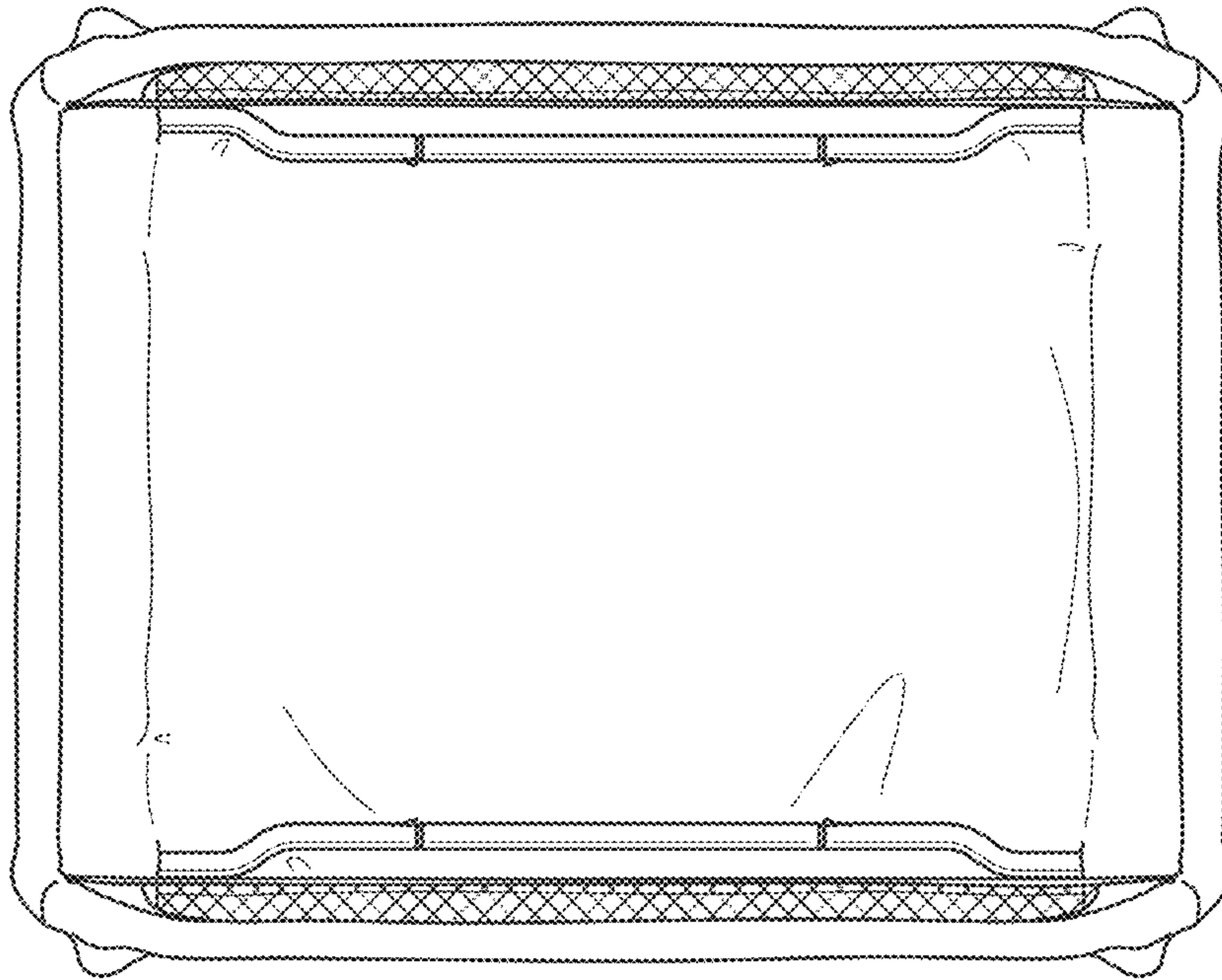


FIG. 6

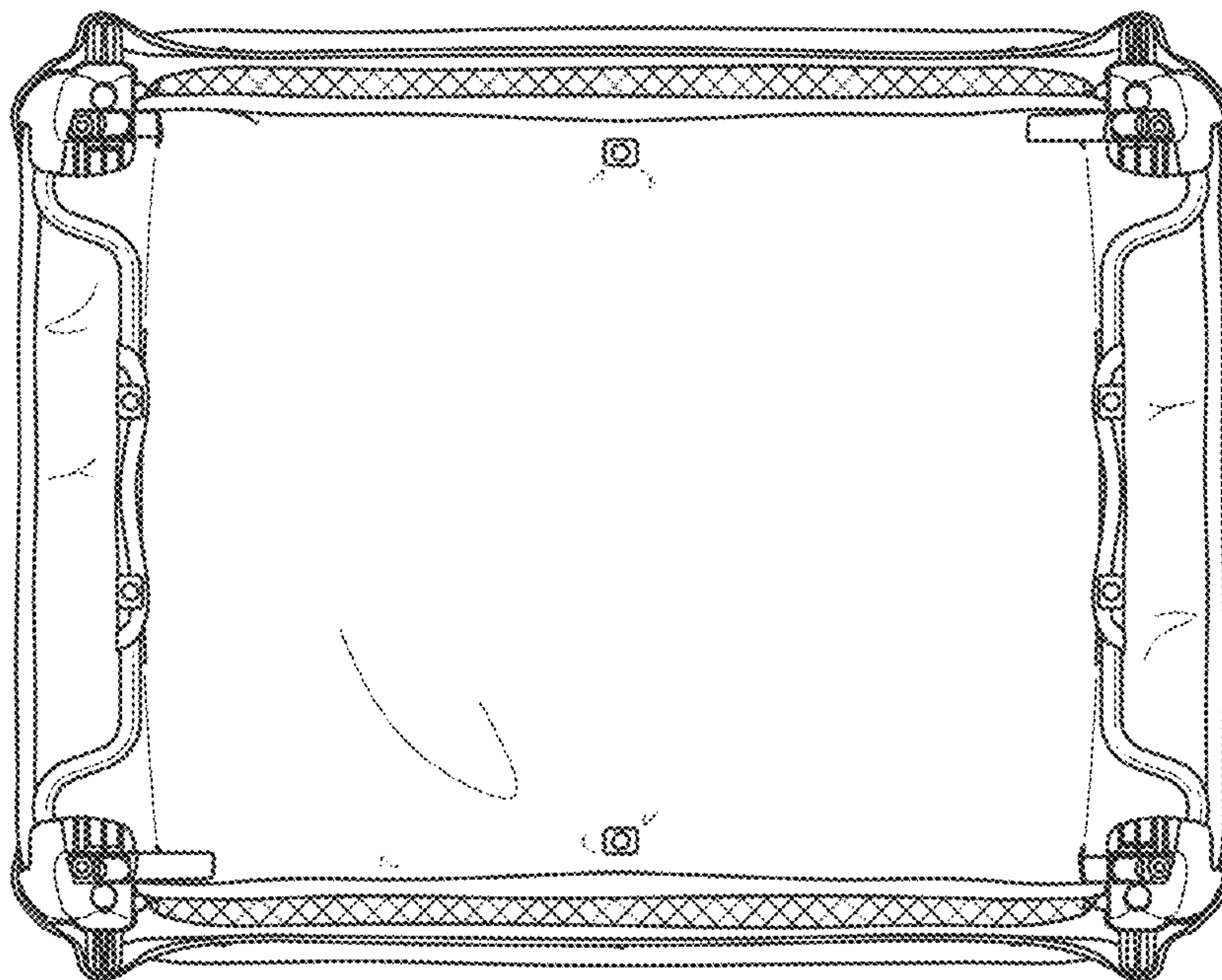


FIG. 7