



US00D979274S

(12) **United States Design Patent** (10) **Patent No.:** **US D979,274 S**
Rybakken et al. (45) **Date of Patent:** **** Feb. 28, 2023**

- (54) **ARMCHAIR**
- (71) Applicant: **HAY ApS**, Horsens (DK)
- (72) Inventors: **Daniel Rybakken**, Gothenburg (SE);
Andreas Engesvik, Oslo (NO)
- (73) Assignee: **HAY ApS**, Horsens (DK)
- (**) Term: **15 Years**
- (21) Appl. No.: **29/796,440**
- (22) Filed: **Jun. 24, 2021**
- (30) **Foreign Application Priority Data**

May 12, 2021 (EM) 008536213-0001

- (51) **LOC (14) Cl.** **06-01**
- (52) **U.S. Cl.**
USPC **D6/379**
- (58) **Field of Classification Search**
USPC D6/369, 370, 371, 372, 373, 374, 375,
D6/378, 379
CPC .. A47C 1/02; A47C 4/028; A47C 4/02; A47C
7/02; A47C 7/20; A47C 7/14; A47C 7/44
See application file for complete search history.

(56) **References Cited**

U.S. PATENT DOCUMENTS

- D182,740 S * 5/1958 Peabody D6/379
- D188,046 S * 5/1960 Galloway D6/379
- 3,019,051 A * 1/1962 Nugent A47C 31/11
297/297
- D193,980 S * 11/1962 Ritts D6/369

- D889,877 S * 7/2020 Hale D6/381
- D903,359 S * 12/2020 Young D6/374
- D953,057 S * 5/2022 Engesvik D6/381
- D966,729 S * 10/2022 Esteve Cambra D6/369
- 2012/0212019 A1* 8/2012 Rodriguez A47C 31/11
297/219.1

FOREIGN PATENT DOCUMENTS

EM 008020176-0002 6/2020

* cited by examiner

Primary Examiner — Kevin K Rudzinski

Assistant Examiner — Paul D Bohannon

(74) *Attorney, Agent, or Firm* — Michael Best & Friedrich LLP

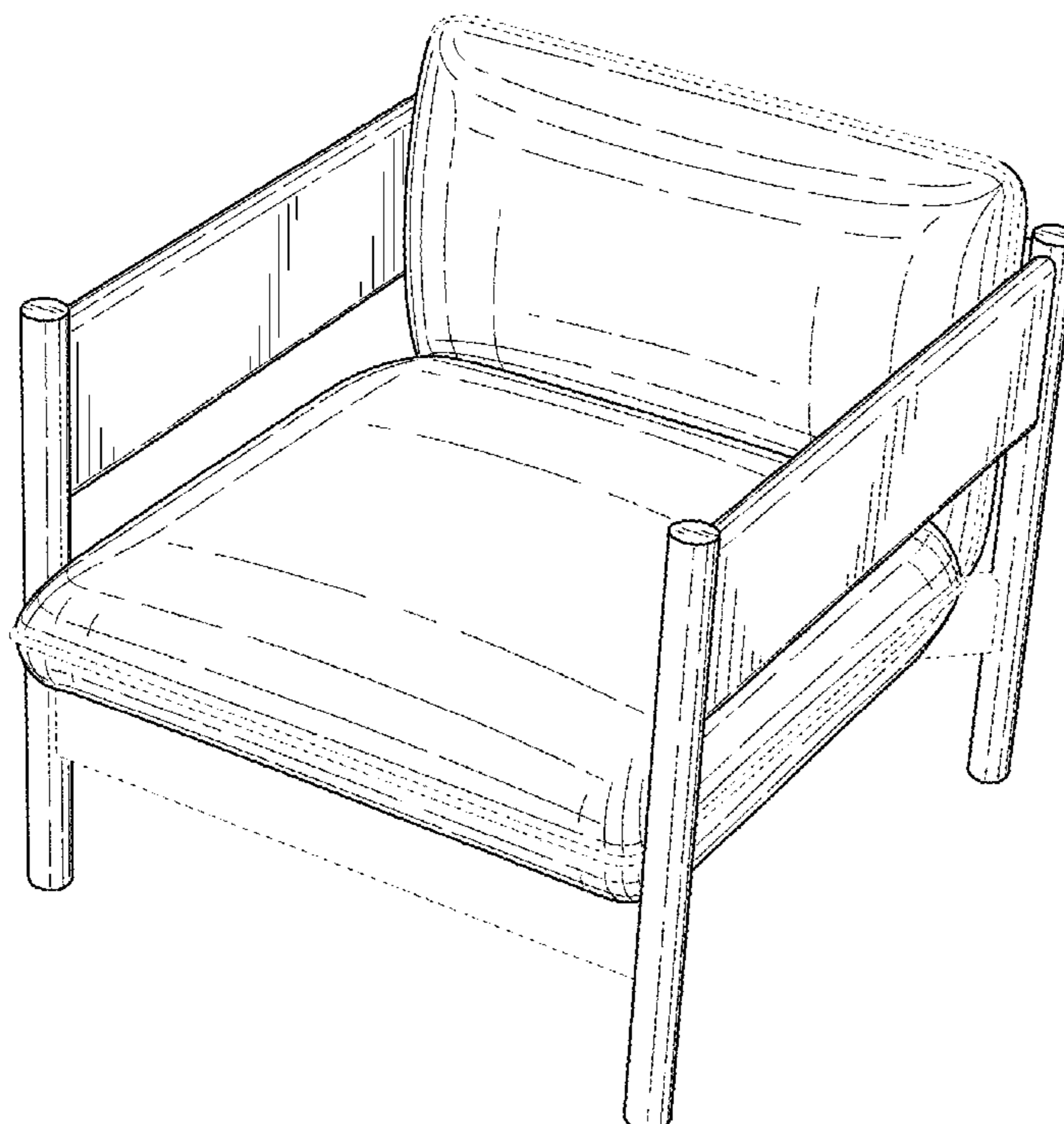
(57) **CLAIM**

We claim the ornamental design for an armchair, as shown and described.

DESCRIPTION

FIG. 1 is a perspective view of an armchair.
 FIG. 2 is a front view of the armchair of FIG. 1.
 FIG. 3 is a rear view of the armchair of FIG. 1.
 FIG. 4 is a side view of the armchair of FIG. 1.
 FIG. 5 is a top view of the armchair of FIG. 1.
 FIG. 6 is a perspective view of another armchair.
 FIG. 7 is a front view of the armchair of FIG. 6.
 FIG. 8 is a rear view of the armchair of FIG. 6.
 FIG. 9 is a side view of the armchair of FIG. 6; and,
 FIG. 10 is a top view of the armchair of FIG. 6.
 The broken lines in the drawings illustrate portions of the article that form no part of the claimed design.

1 Claim, 10 Drawing Sheets



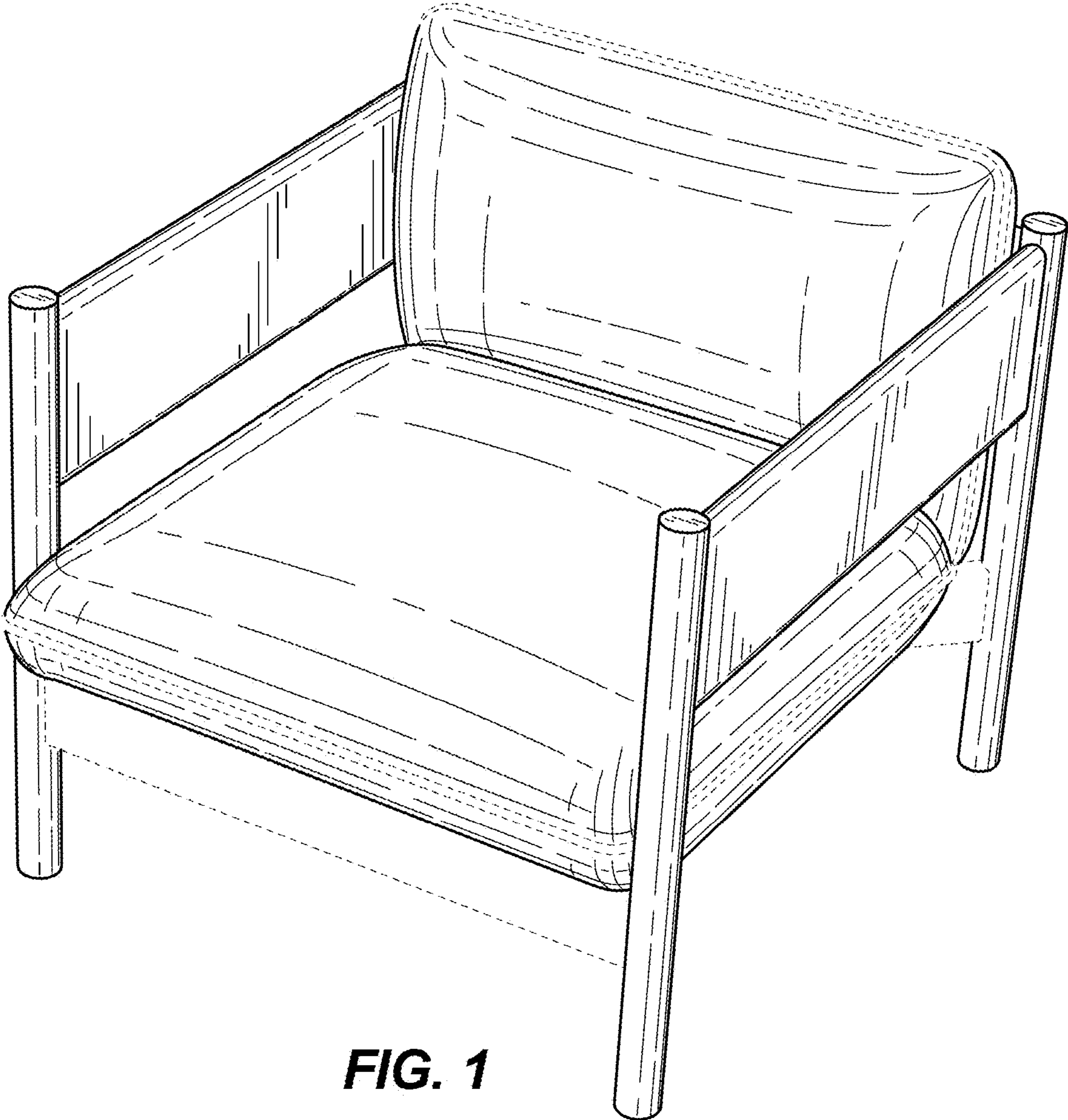


FIG. 1

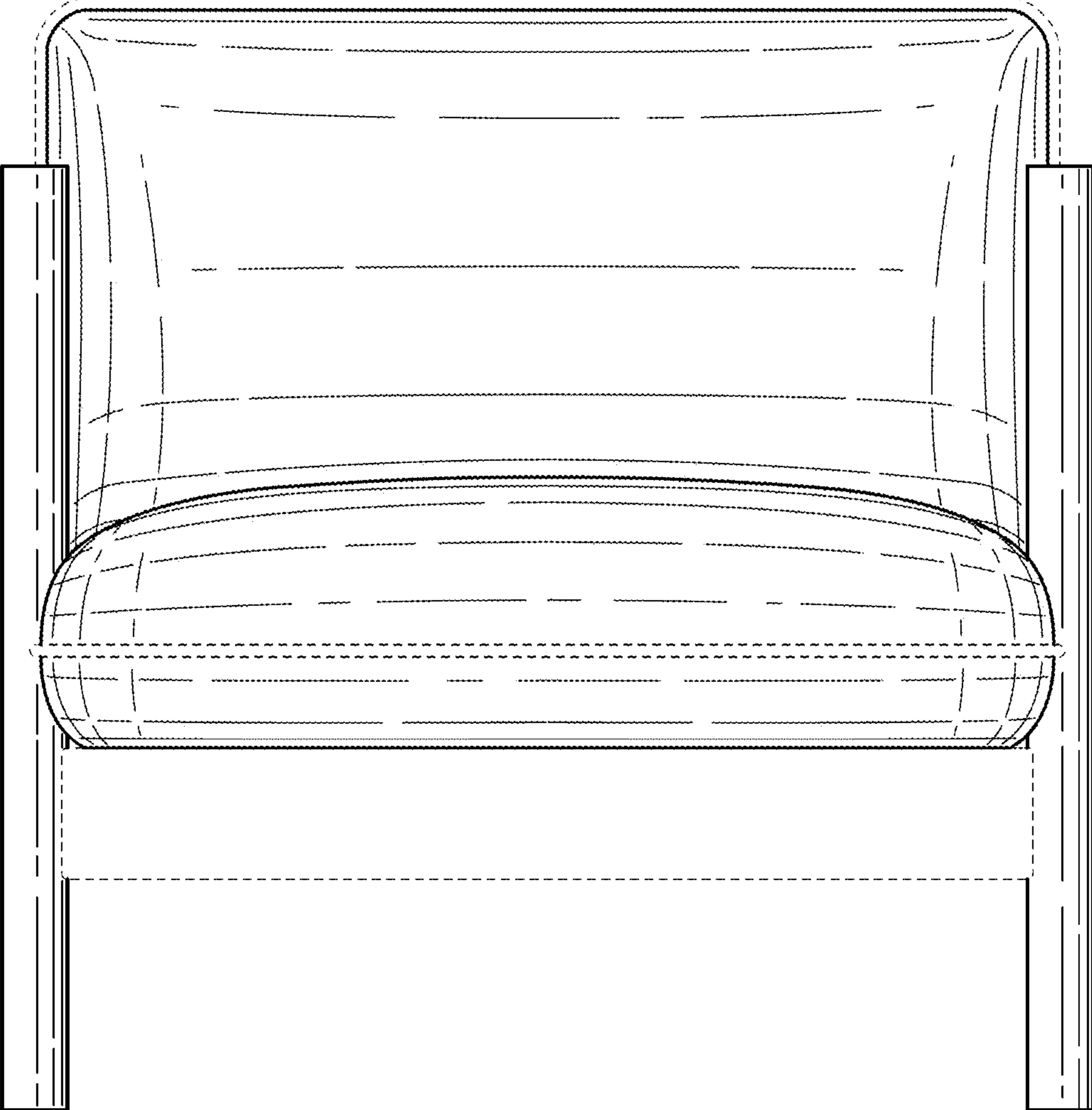


FIG. 2

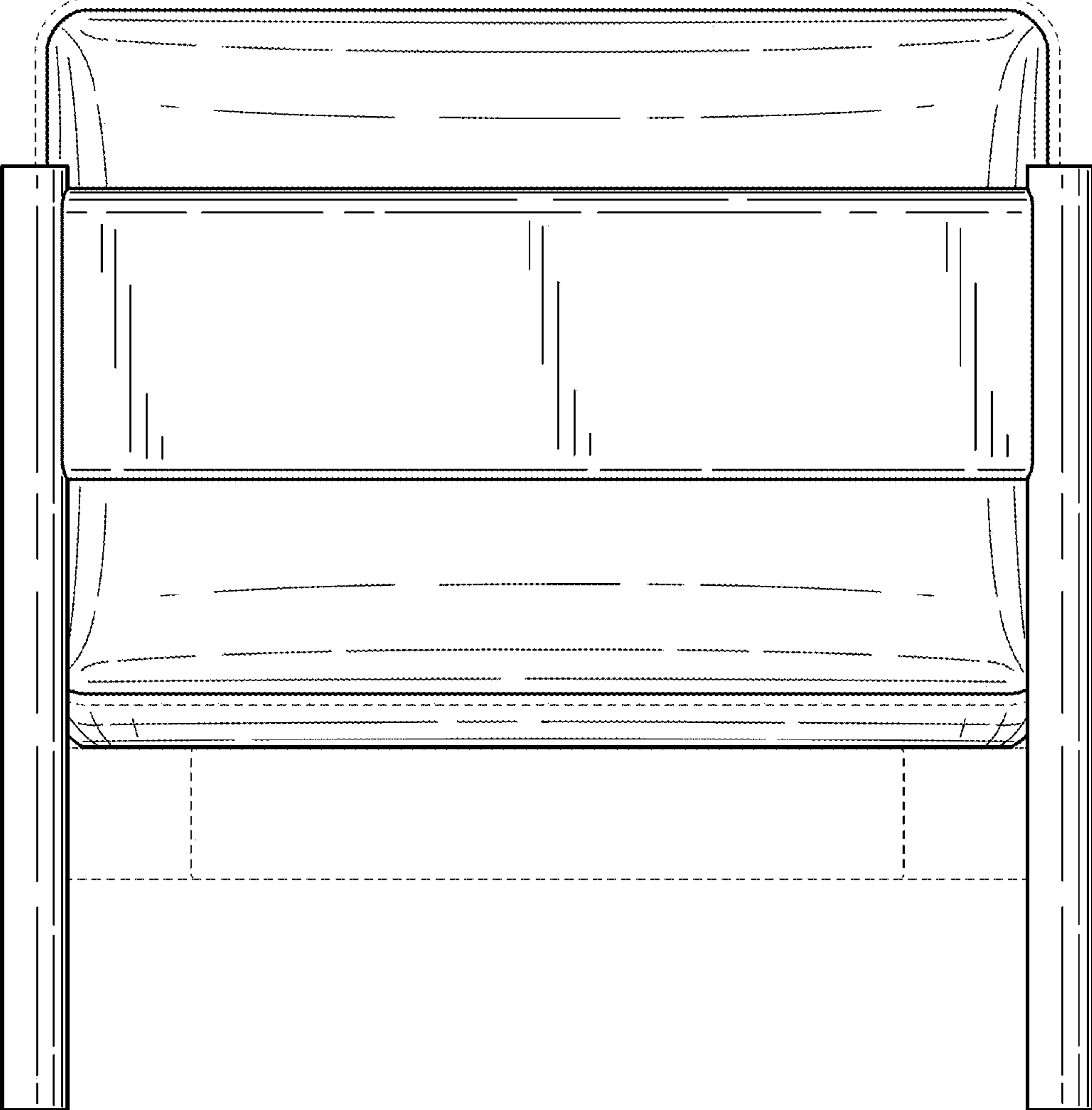


FIG. 3

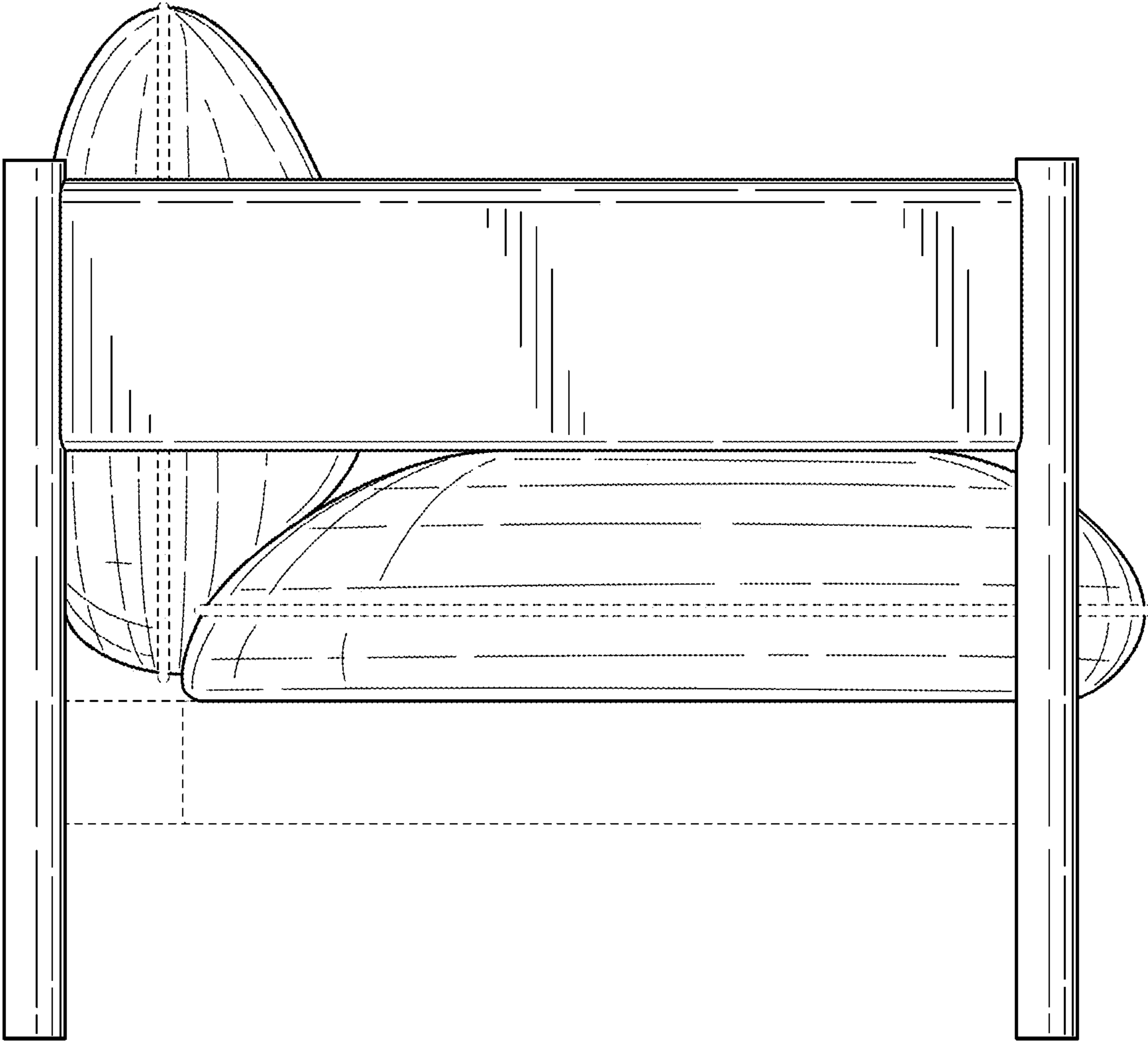


FIG. 4

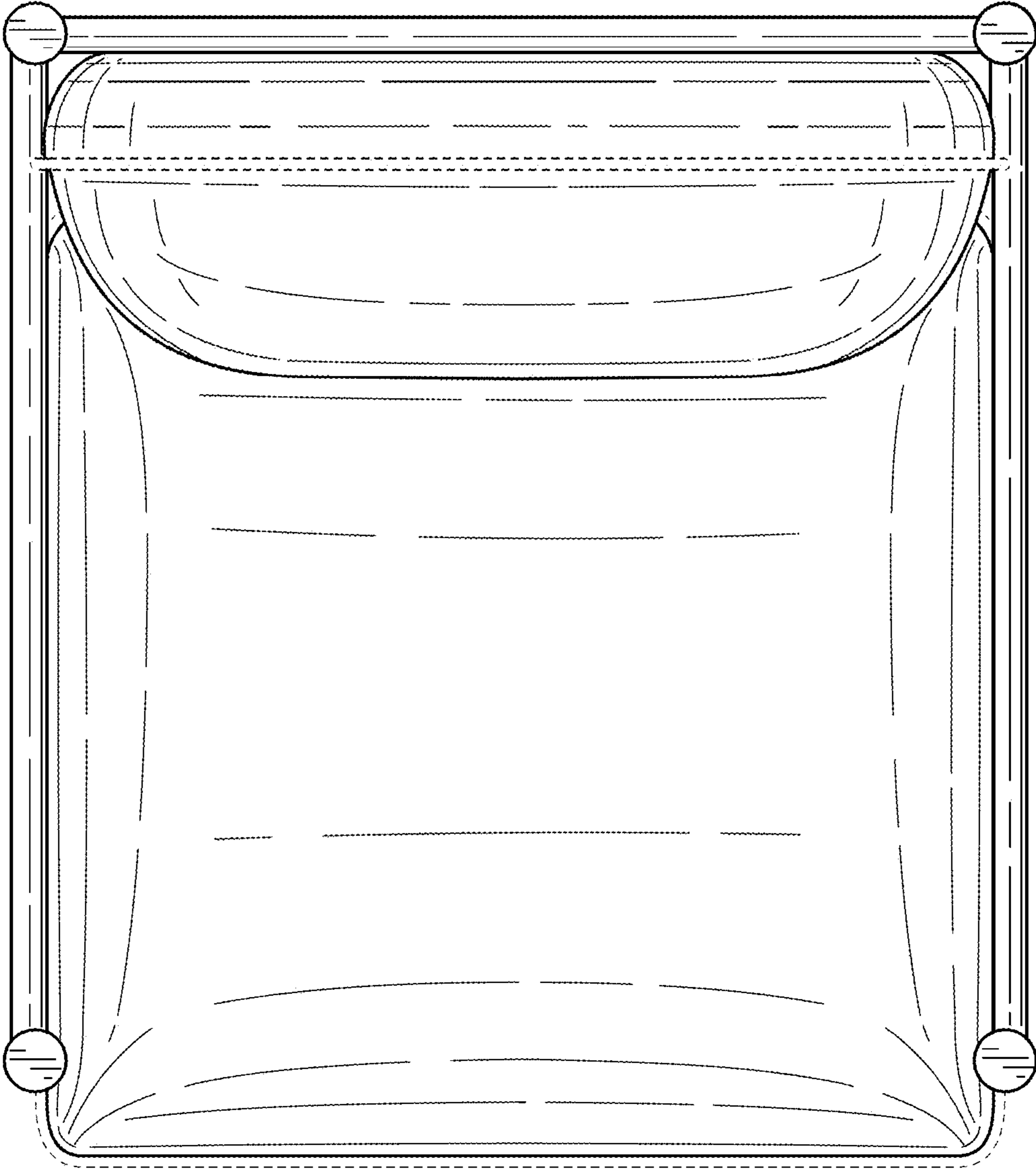


FIG. 5

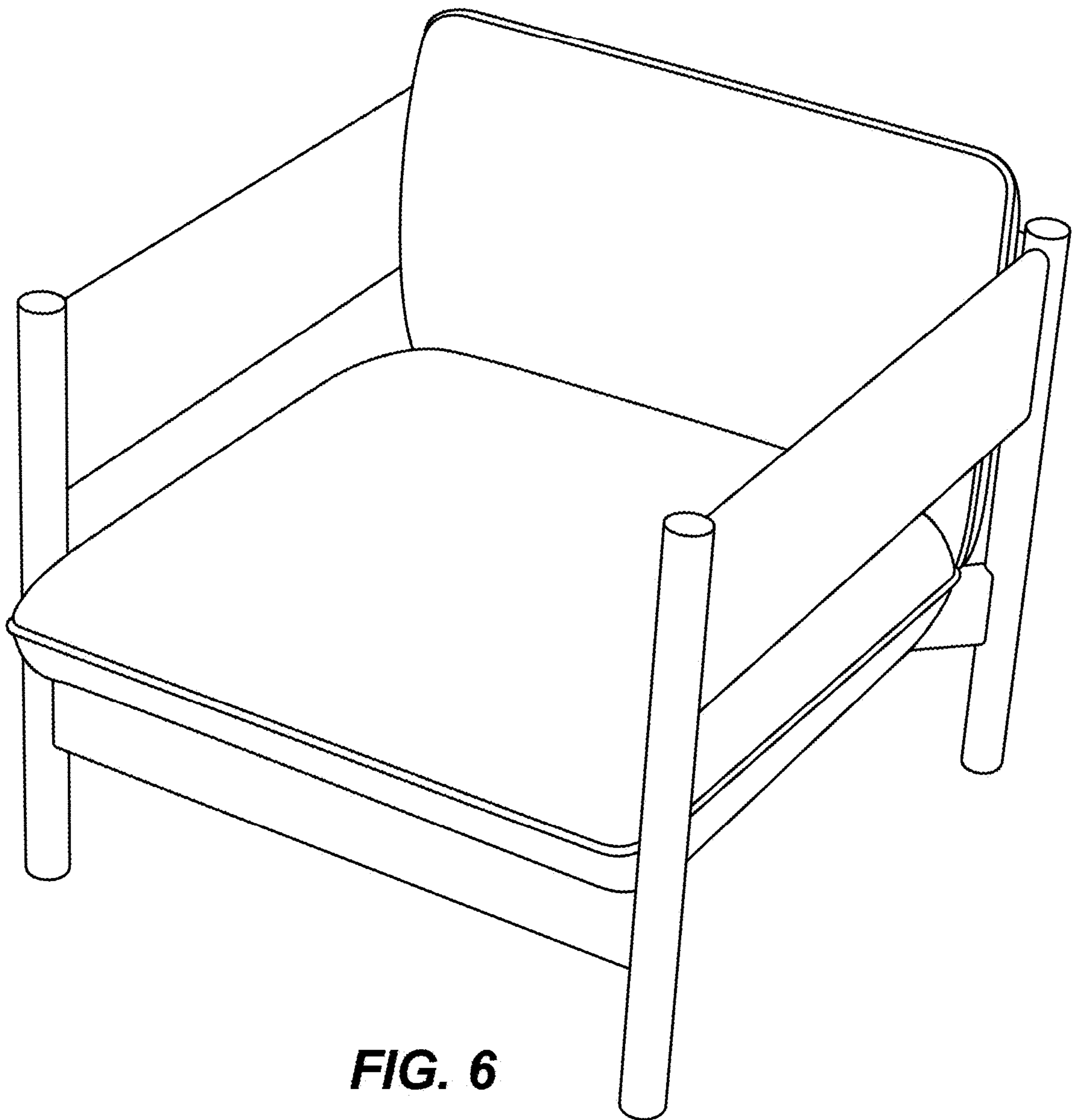


FIG. 6

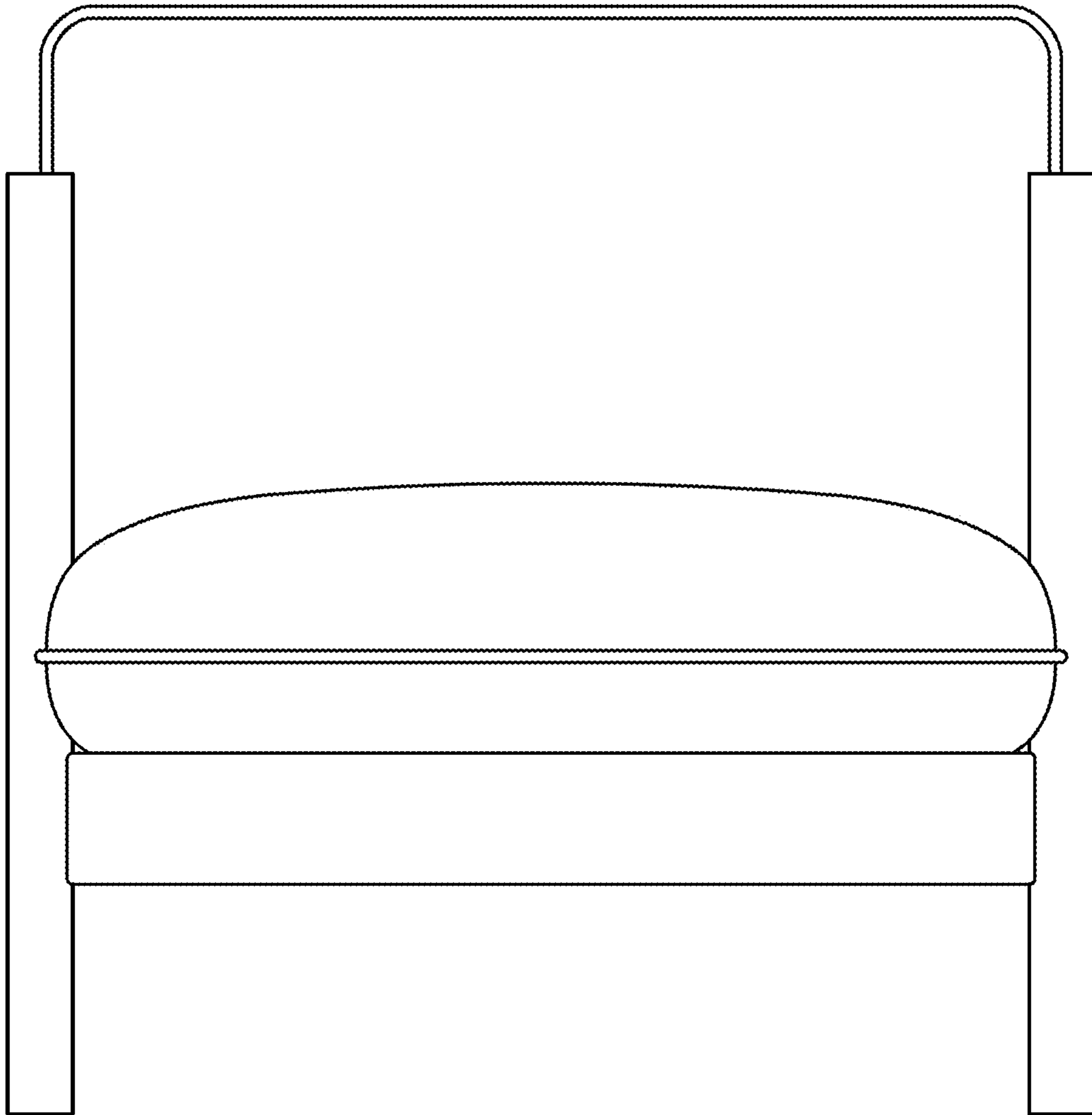


FIG. 7

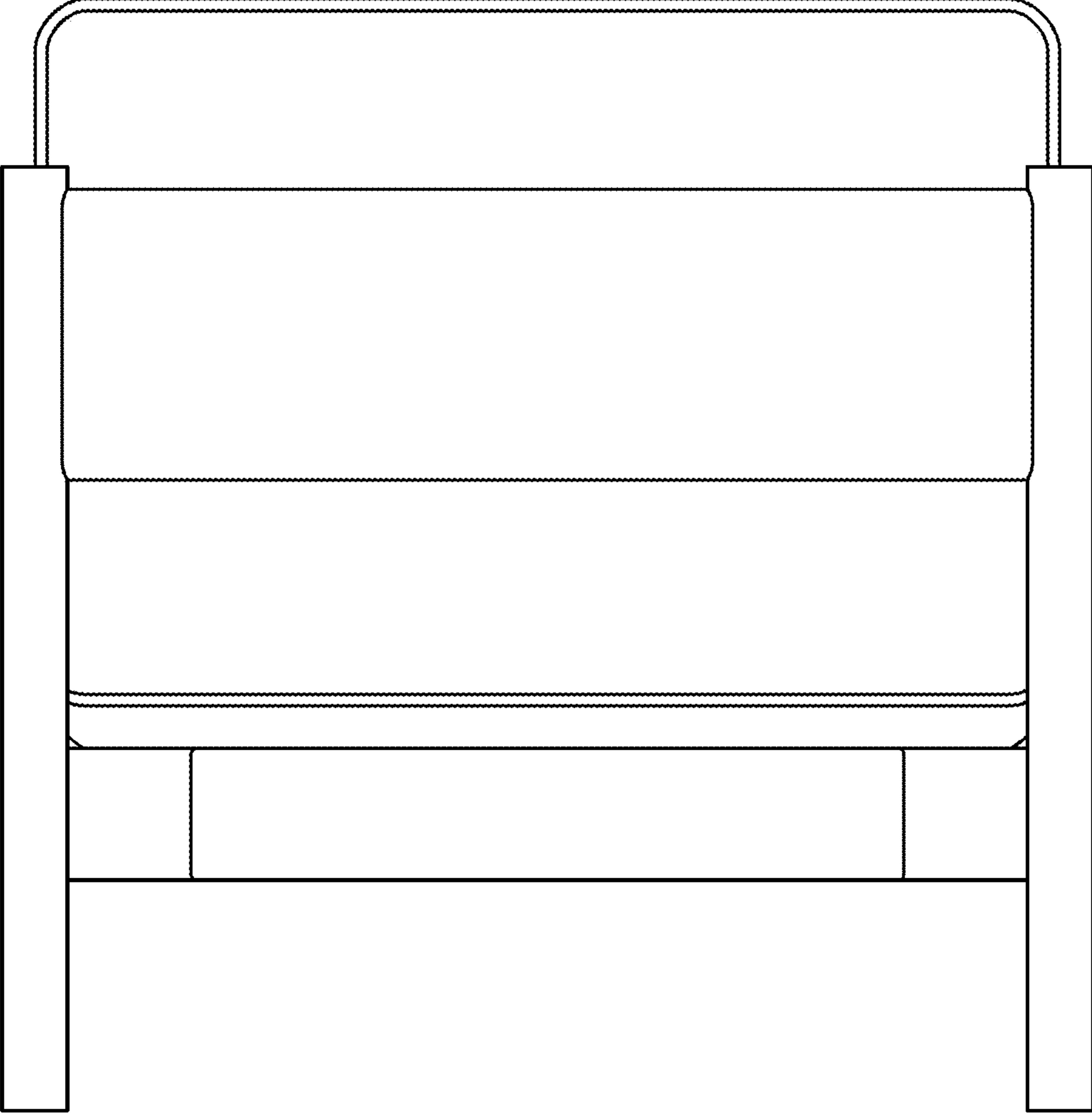


FIG. 8

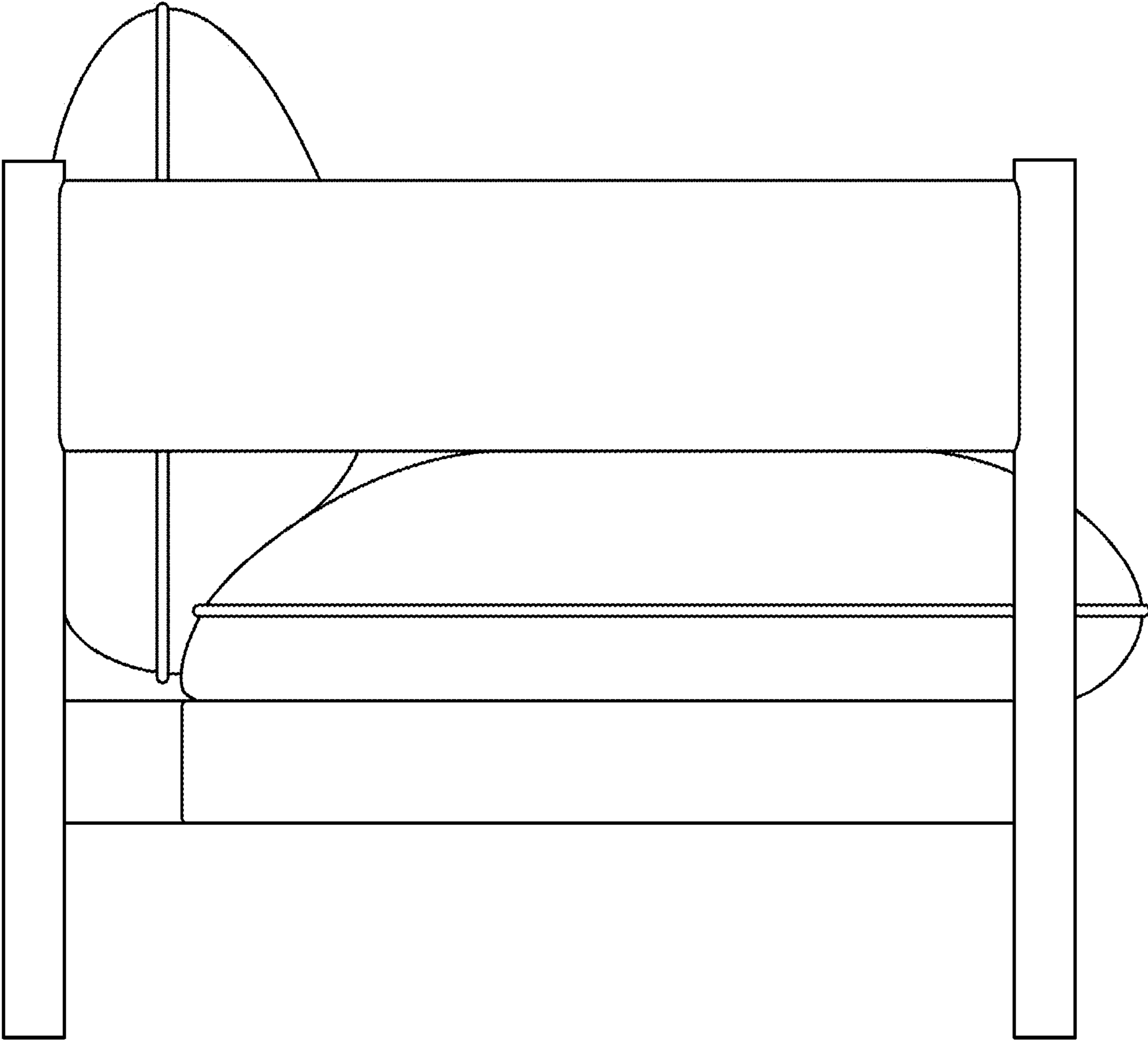


FIG. 9

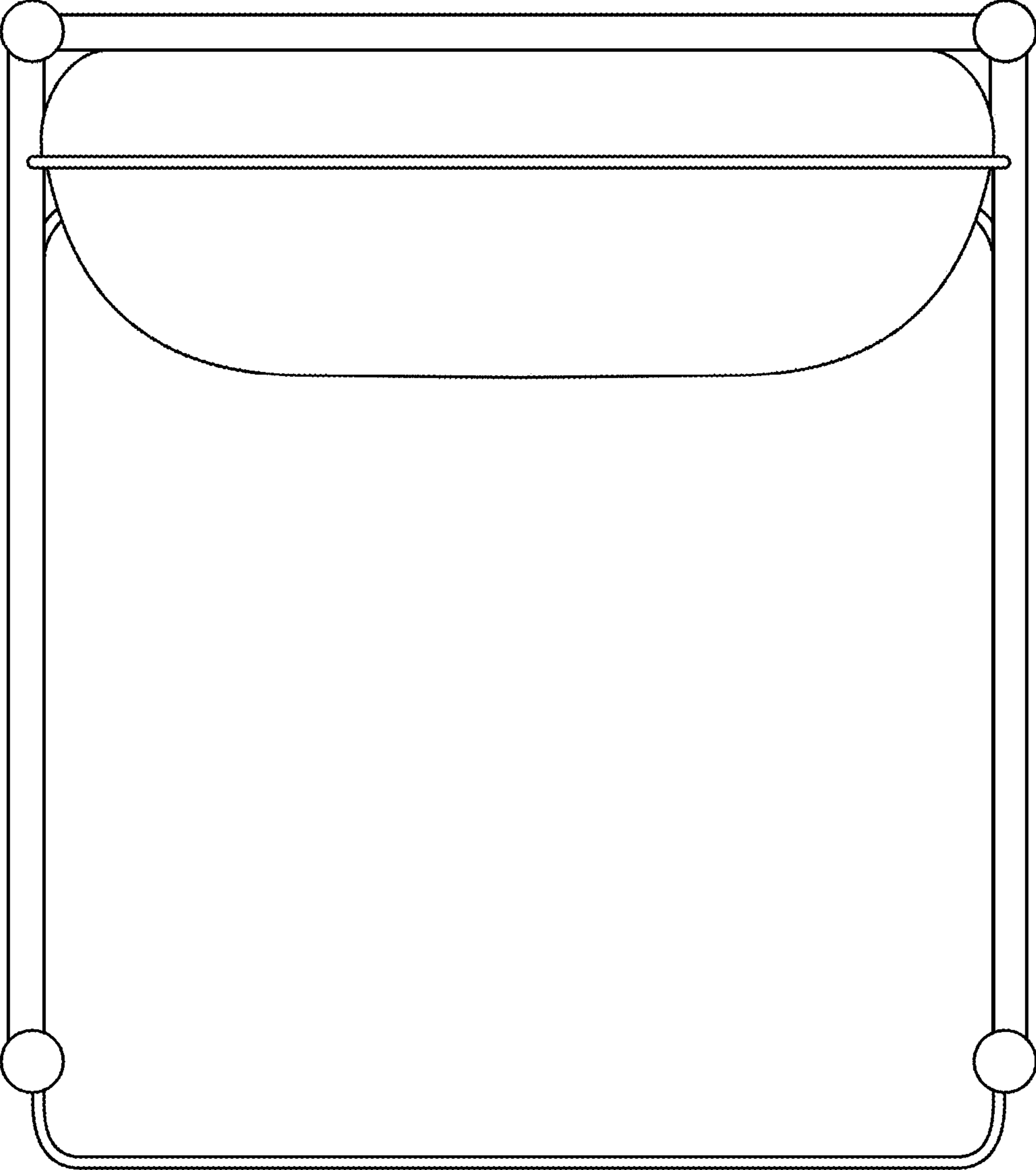


FIG. 10