



US00D979273S

(12) **United States Design Patent**
Atlason

(10) **Patent No.:** **US D979,273 S**
(45) **Date of Patent:** **** Feb. 28, 2023**

(54) **CHAIR**

(71) Applicant: **HERMAN MILLER, INC.**, Zeeland, MI (US)

(72) Inventor: **Hlynur Atlason**, New York, NY (US)

(73) Assignee: **MillerKnoll, Inc.**, Zeeland, MI (US)

(**) Term: **15 Years**

(21) Appl. No.: **29/768,517**

(22) Filed: **Jan. 29, 2021**

(51) **LOC (14) Cl.** **06-01**

(52) **U.S. Cl.**
USPC **D6/379**

(58) **Field of Classification Search**
USPC D6/369, 370, 379, 375, 372, 716.4, 371, D6/374, 334, 381, 717, 360, 380, 716
CPC A47C 1/124; A47C 3/025; A47C 3/18; A47C 3/12; A47C 3/34; A47C 4/028; A47C 4/02; A47C 5/12; A47C 5/125; A47C 5/02; A47C 5/06; A47C 5/08; A47C 7/445; A47C 7/443; A47C 7/60; A47C 7/506; A47C 9/007; A47C 13/005; A47C 13/023; A47C 31/003; A47C 31/008; A47C 31/113; A47C 31/02; A47B 85/04; B60R 2/0284; B60R 2/062; B60R 22/001; B60R 22/24; B60R 22/28; B60R 22/58; B60R 22/64; B60R 22/68; B60R 22/80; B60R 22/99; B60R 22/245; B60R 22/643; B60R 22/646; B60R 22/665; B60R 22/686; B60R 22/688; B60R 22/803; B60R 22/986; B60R 22/914; B60R 22/995

See application file for complete search history.

(56) **References Cited**

U.S. PATENT DOCUMENTS

D85,121 S * 9/1931 Sobel D6/379
D95,078 S * 4/1935 Schob D6/379

D105,878 S * 8/1937 Johnson D6/373
D106,137 S * 9/1937 Johnson D6/379
D177,620 S * 5/1956 Futorian D6/360
2,771,940 A * 11/1956 Peterson A47C 7/00
297/411.43
D180,688 S * 7/1957 Jiranek D6/379
2,909,247 A * 10/1959 Romito A61G 15/02
297/344.19
D190,645 S * 6/1961 Sundberg D6/379
3,007,736 A * 11/1961 Watlington A47C 13/00
297/217.3

(Continued)

Primary Examiner — Kevin K Rudzinski
Assistant Examiner — Paul D Bohannon
(74) *Attorney, Agent, or Firm* — Michael Best & Friedrich LLP

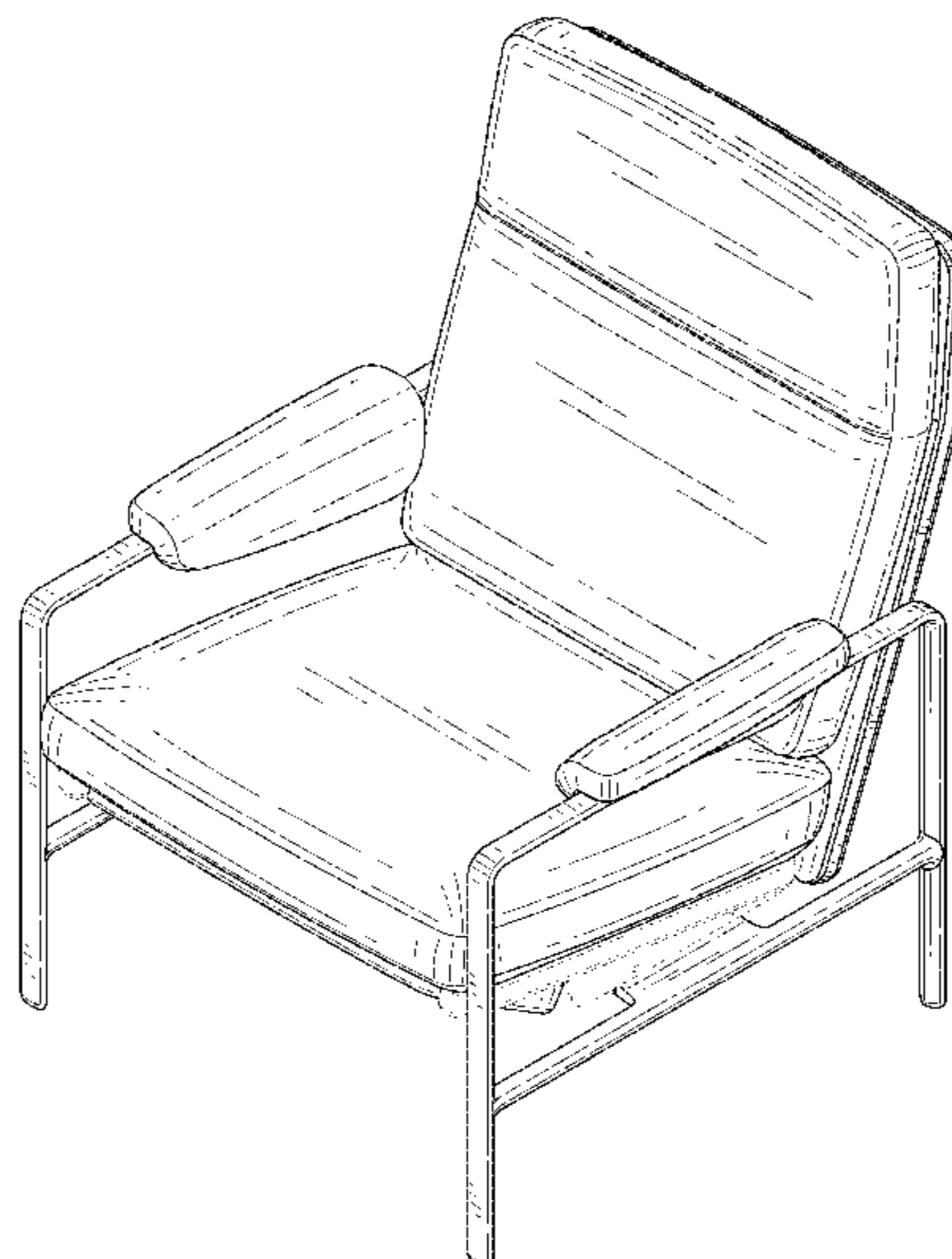
(57) **CLAIM**

I claim the ornamental design for a chair, as shown and described.

DESCRIPTION

FIG. 1 is a perspective view of a chair according to the invention, shown in a first position of use;
FIG. 2 is a first side view thereof;
FIG. 3 is a second side view thereof;
FIG. 4 is a front plan view thereof;
FIG. 5 is a rear plan view thereof;
FIG. 6 is a top plan view thereof;
FIG. 7 is a perspective view of the chair, shown in a second position of use;
FIG. 8 is a first side view thereof;
FIG. 9 is a second side view thereof;
FIG. 10 is a front plan view thereof;
FIG. 11 is a rear plan view thereof; and,
FIG. 12 is a top plan view thereof.
The broken lines shown in the drawings are for the purpose of illustrating portions of the article and form no part of the claimed design.

1 Claim, 12 Drawing Sheets



(56)

References Cited

U.S. PATENT DOCUMENTS

3,134,623 A * 5/1964 Pini A47C 1/035
297/78
D223,245 S * 4/1972 Thomas D6/379
3,767,190 A * 10/1973 Biggerstaff A47C 4/26
297/50
D234,989 S * 4/1975 Lopez-Benitez D6/379
D244,163 S * 5/1977 Friedman D6/334
D255,625 S * 7/1980 Lubke D6/379
D260,950 S * 9/1981 Aulenti D6/379
D268,799 S * 5/1983 Feldberg D6/379
4,848,843 A * 7/1989 Gibbs A47C 3/00
297/226
D399,071 S * 10/1998 Noll D6/370
D810,457 S * 2/2018 Natuzzi D6/379
D823,613 S * 7/2018 Hale D6/375
D925,943 S * 7/2021 Wu D6/379

* cited by examiner

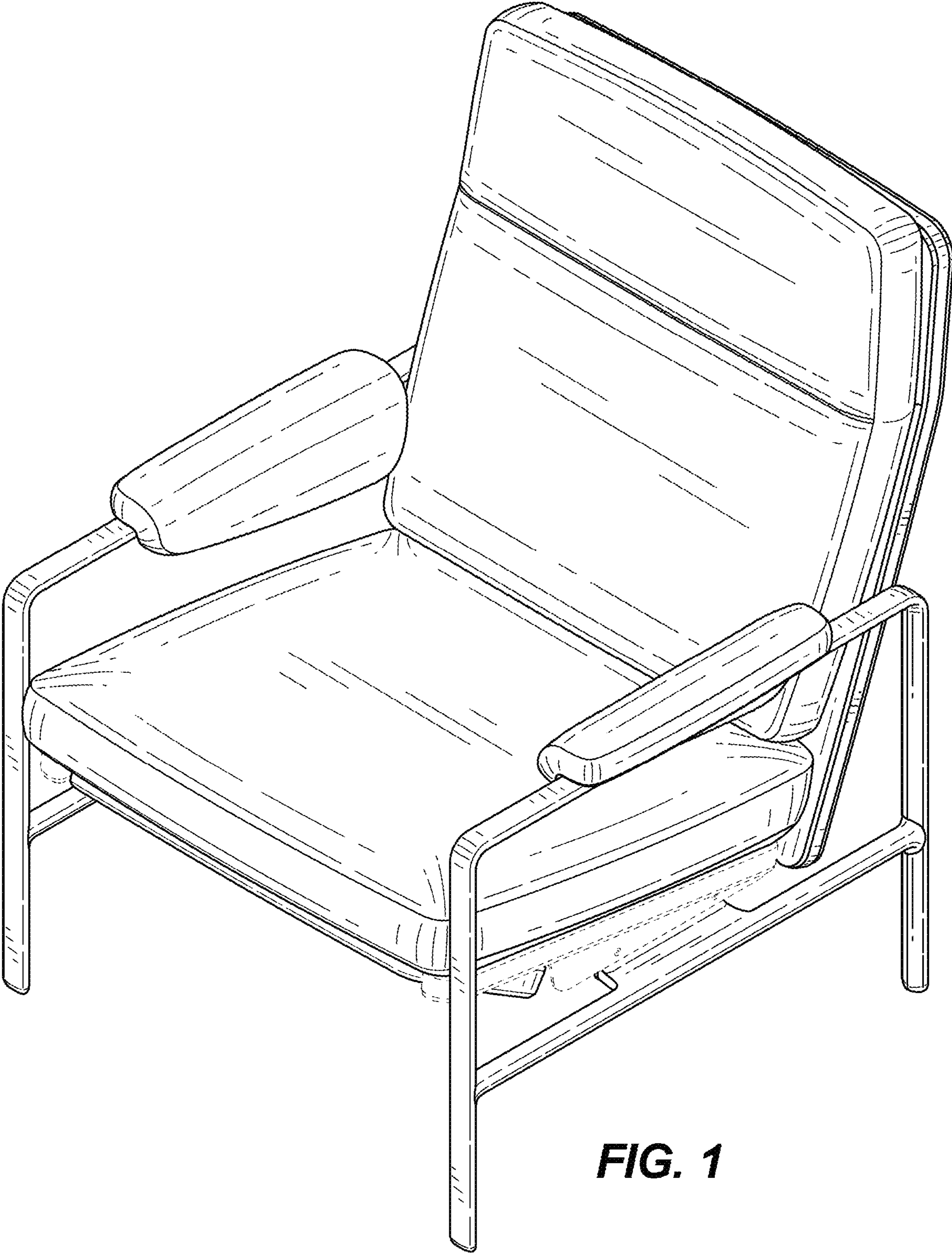


FIG. 1

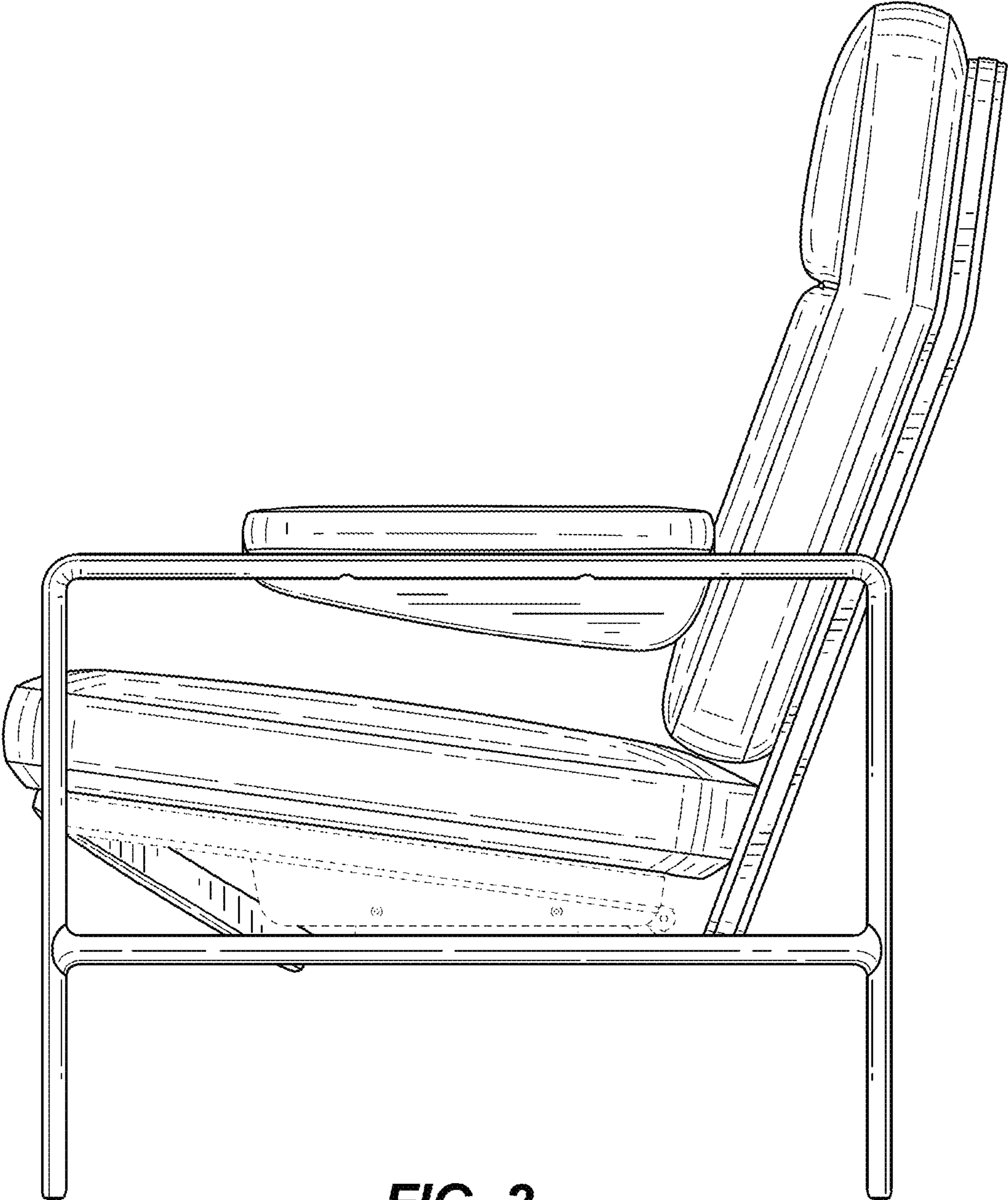


FIG. 2

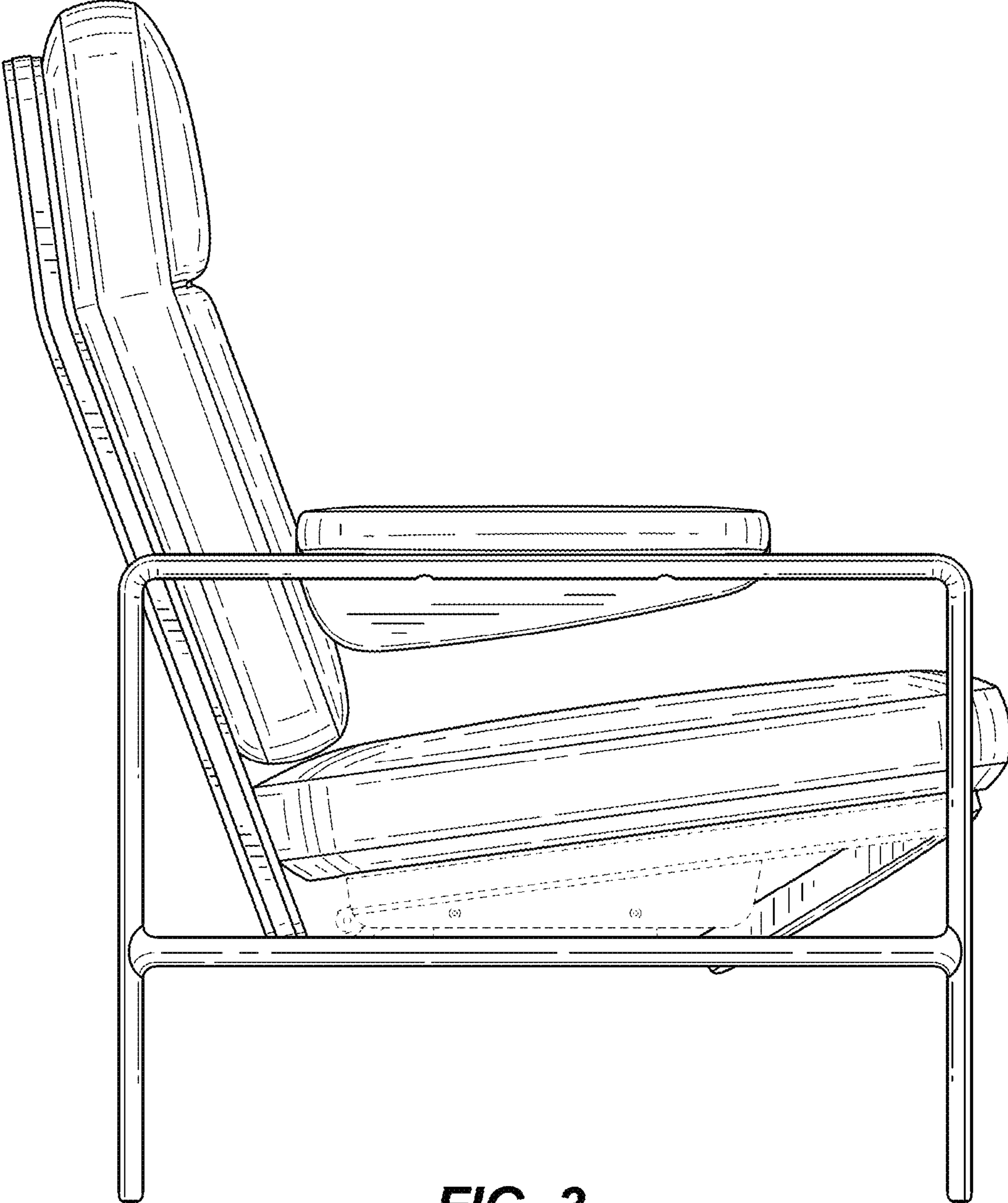


FIG. 3

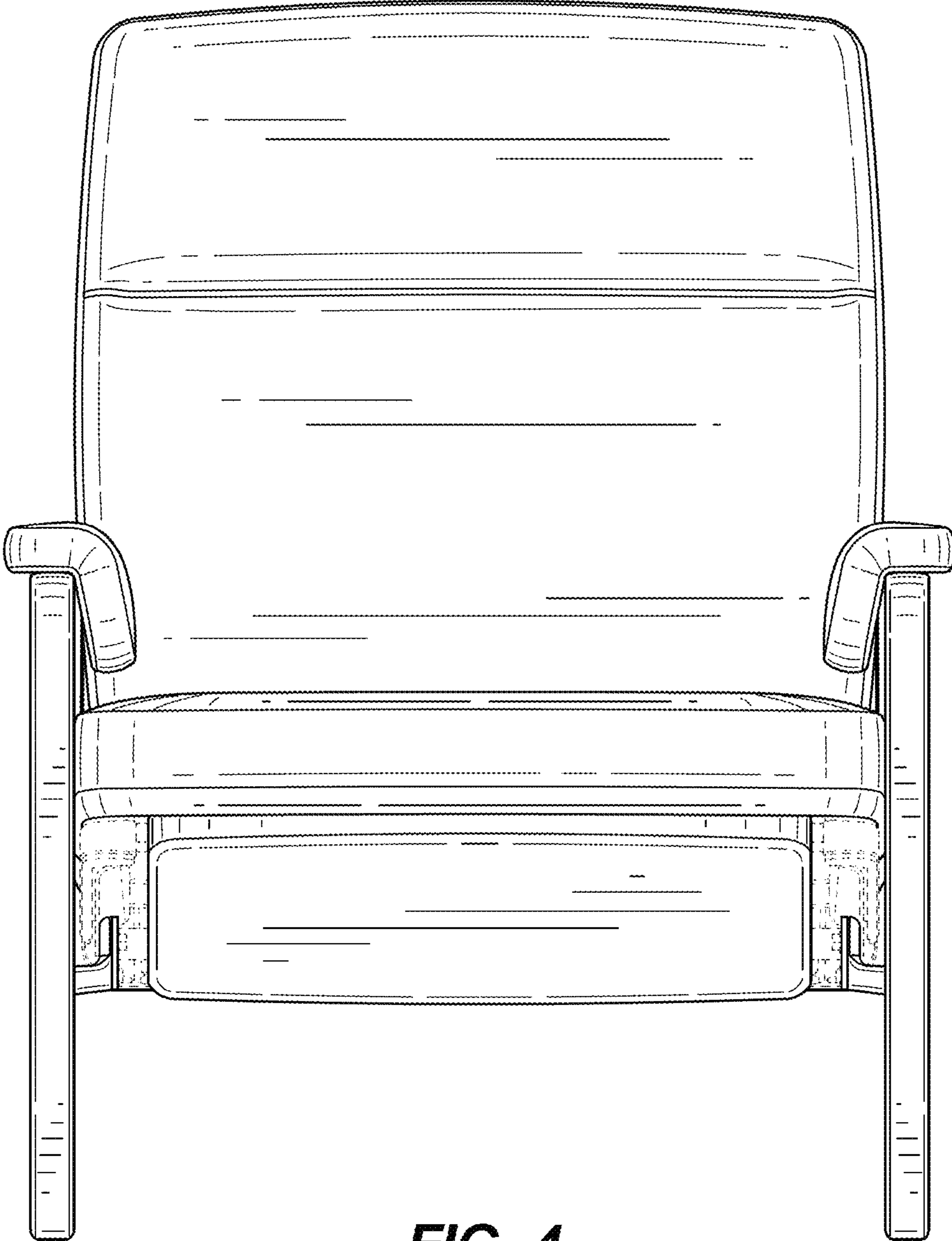


FIG. 4

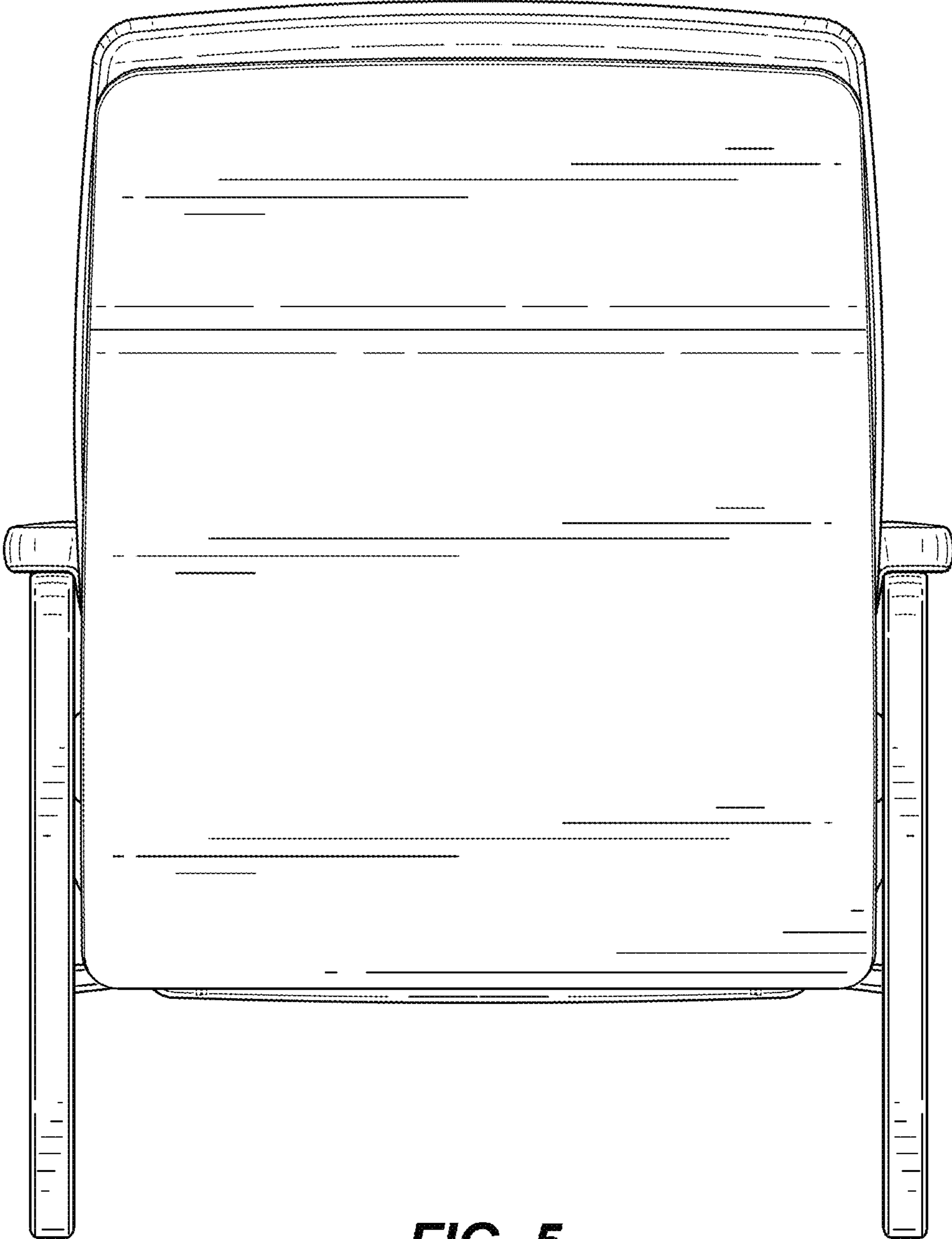


FIG. 5

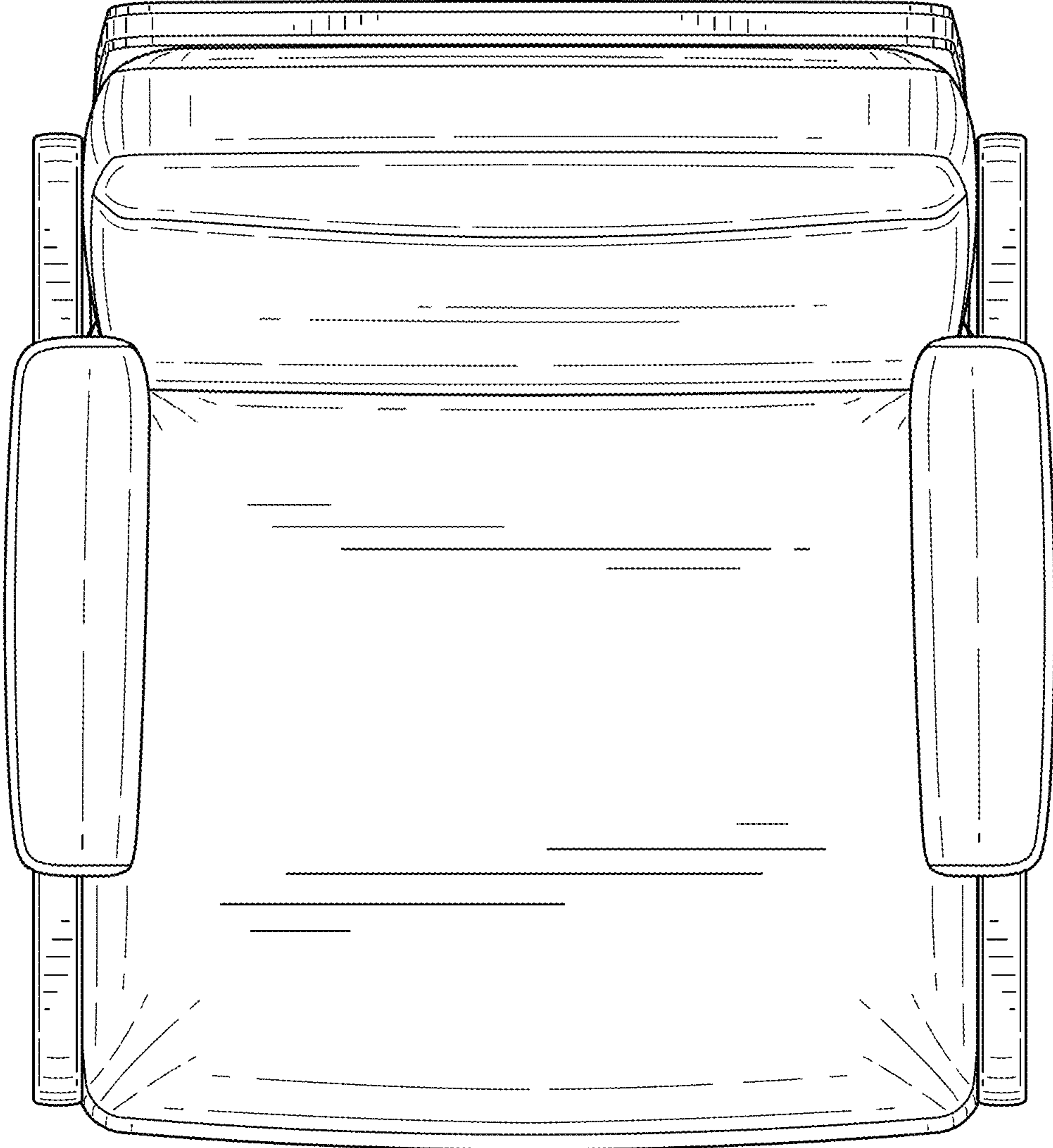


FIG. 6

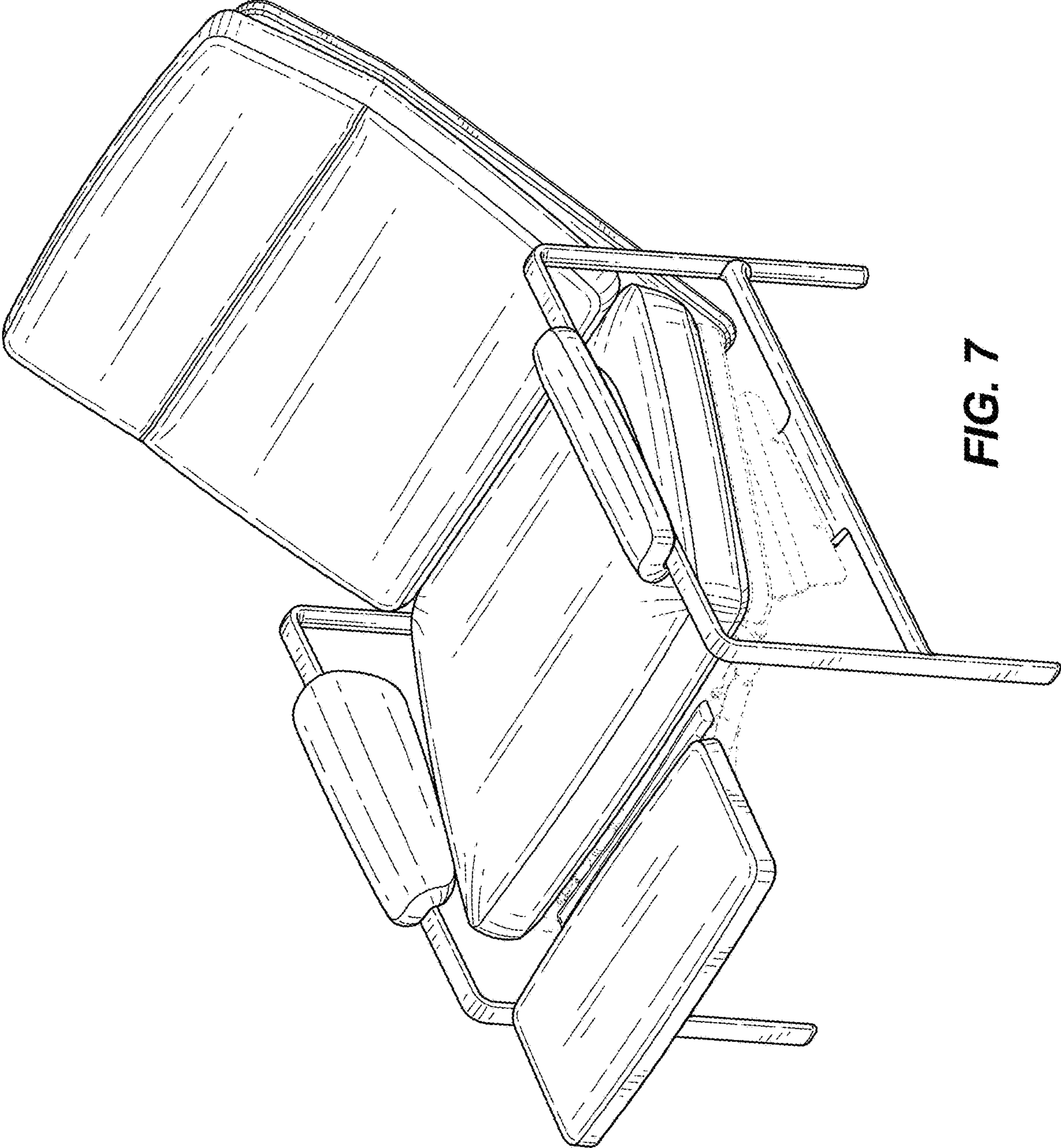


FIG. 7

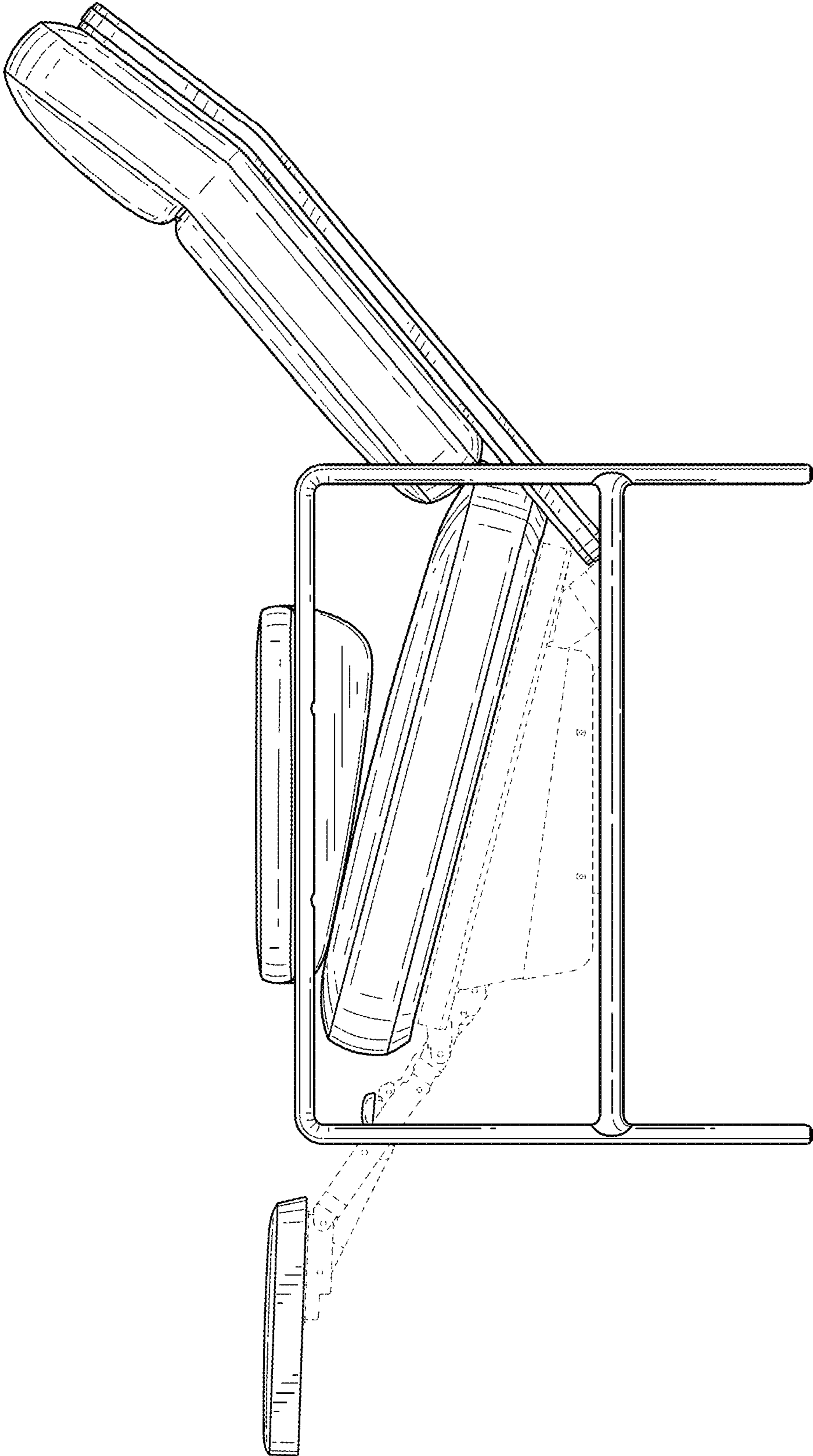


FIG.8

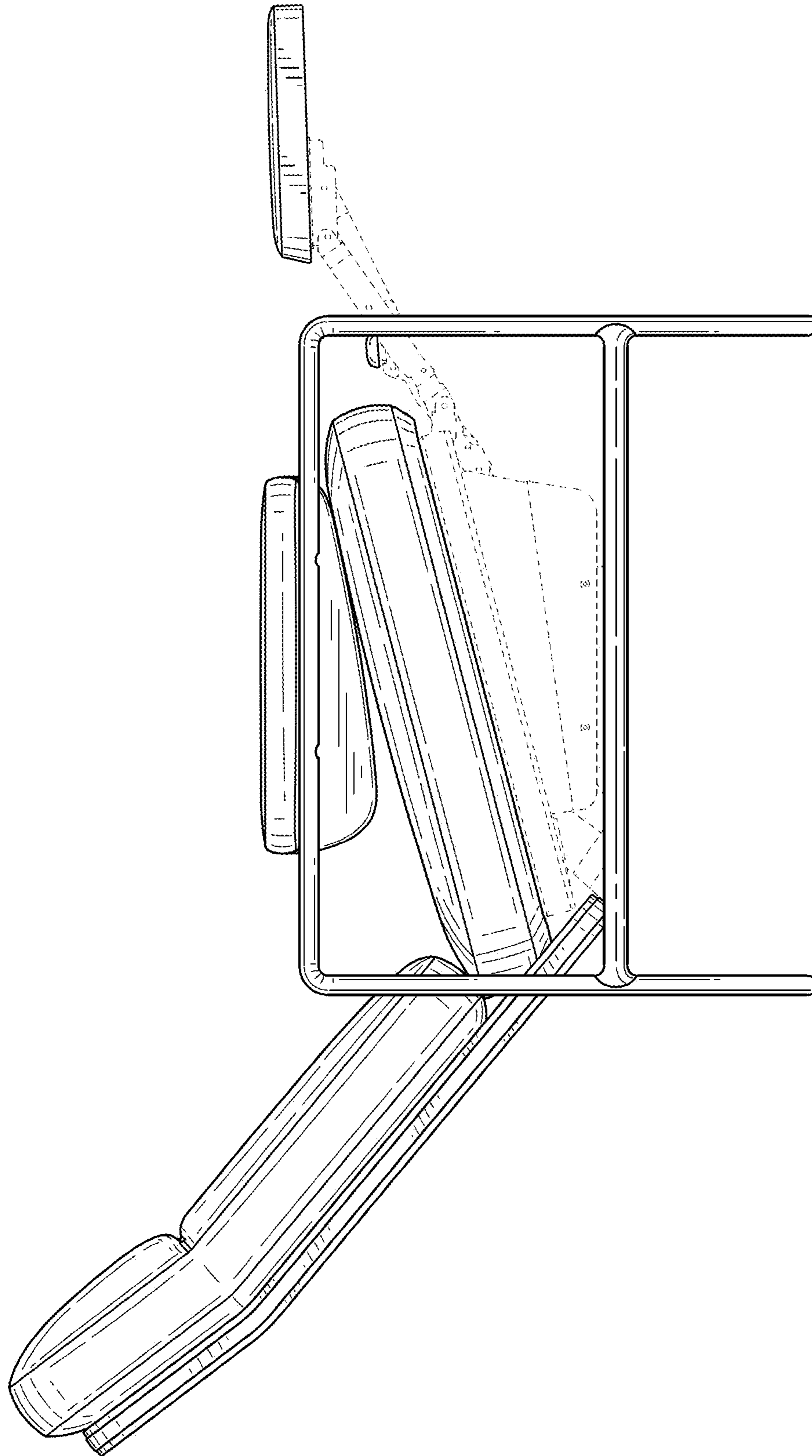


FIG. 9

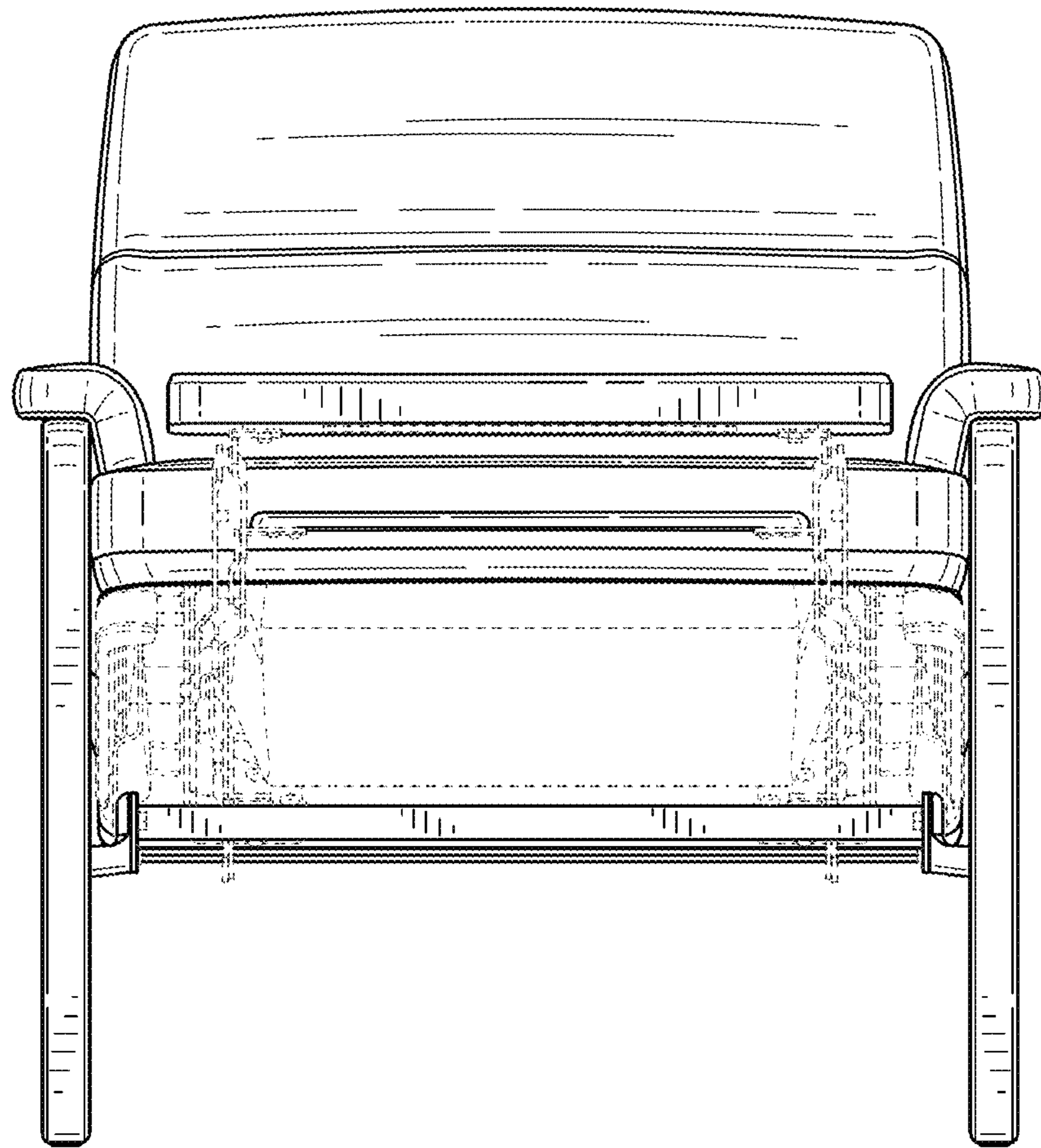


FIG. 10

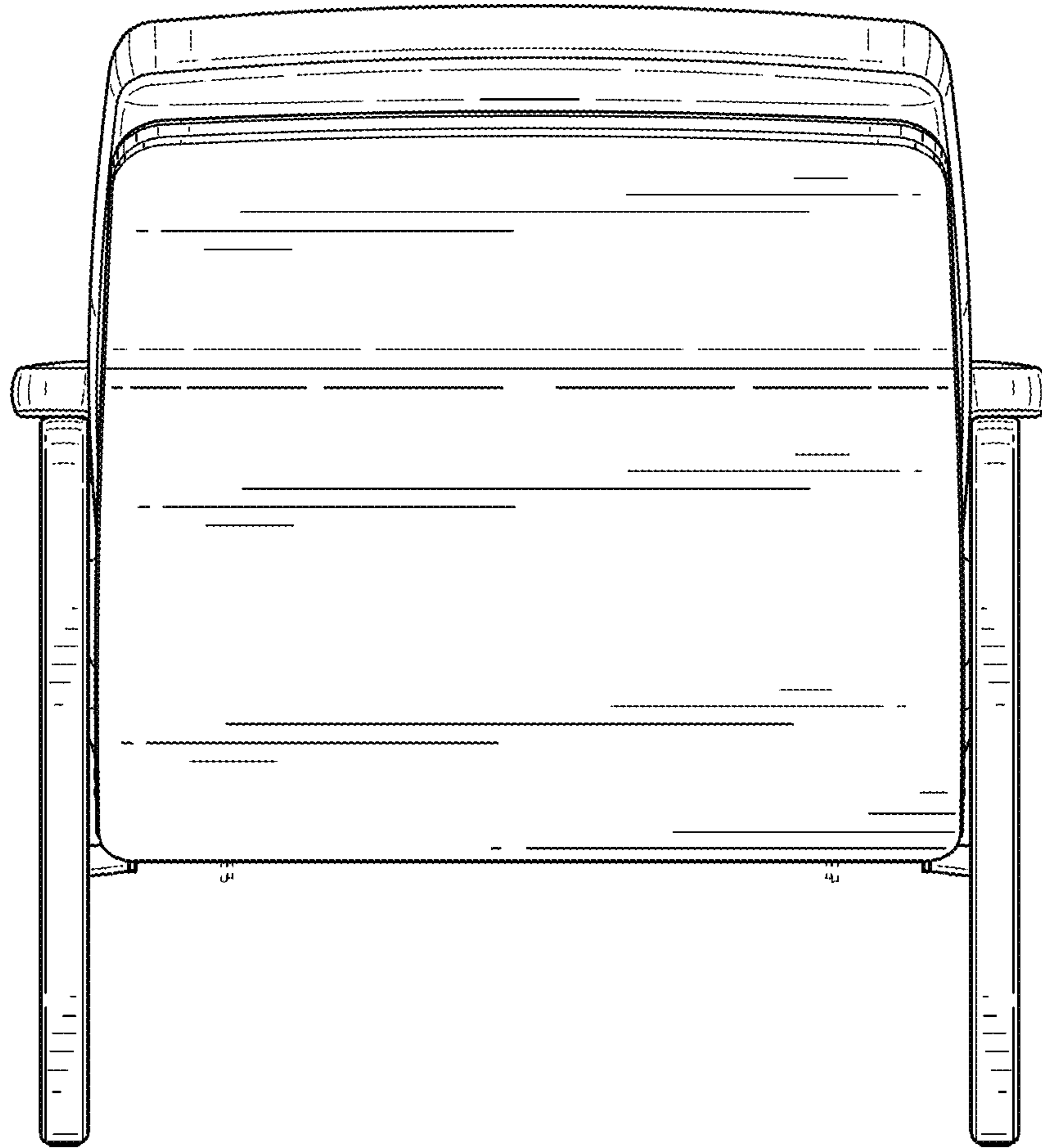


FIG. 11

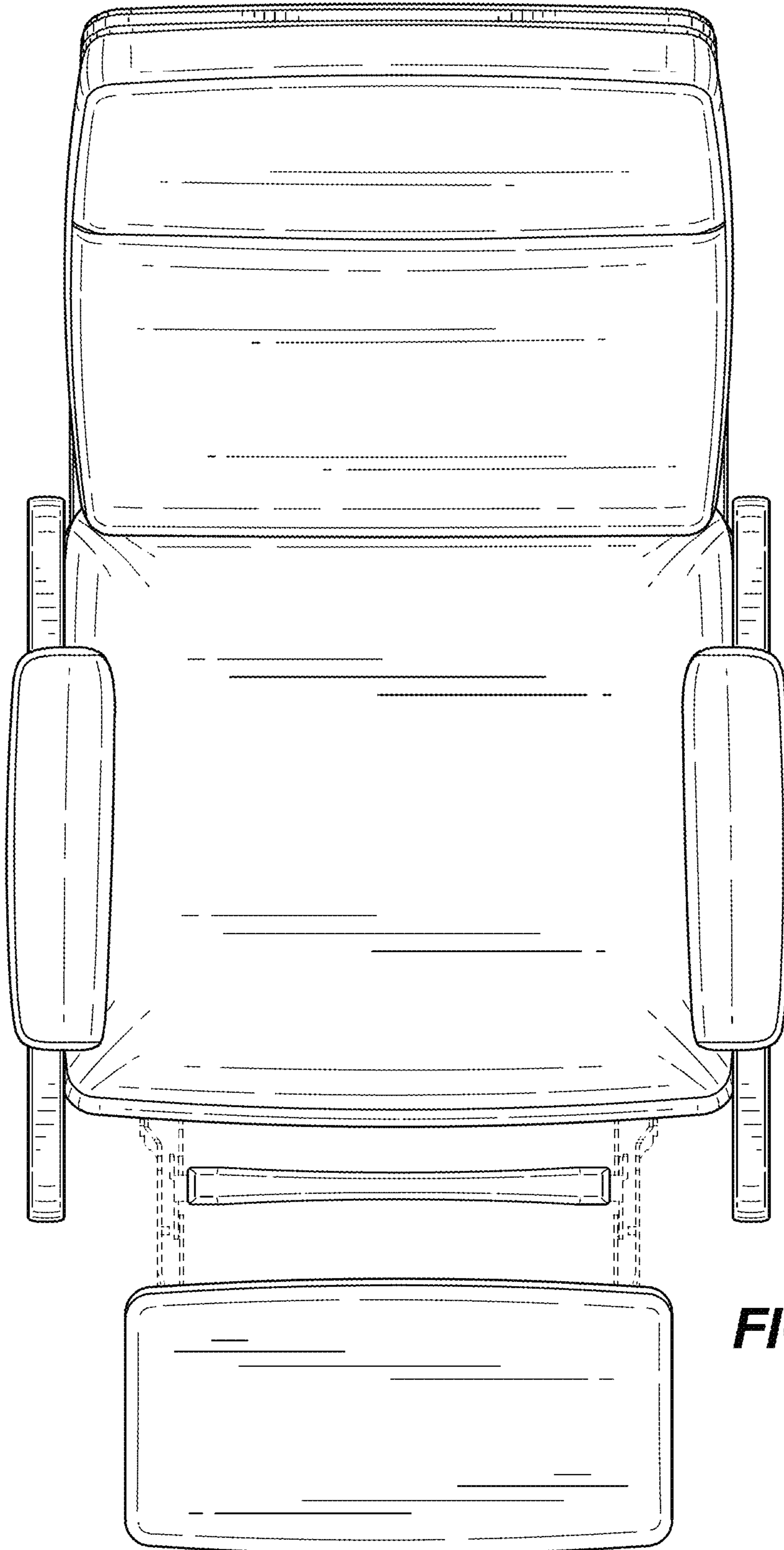


FIG. 12