



US00D979272S

(12) **United States Design Patent**  
**Olarte**

(10) **Patent No.:** **US D979,272 S**  
(45) **Date of Patent:** **\*\* Feb. 28, 2023**

(54) **CHAIR**  
(71) Applicant: **Series International, LLC**, Aventura, FL (US)  
(72) Inventor: **Alvaro Mauricio Olarte**, Aventura, FL (US)  
(73) Assignee: **Series International, LLC**, Aventura, FL (US)

2,652,881 A \* 9/1953 Rowe ..... A47C 7/56  
297/440.22  
2,750,993 A \* 6/1956 McGregor ..... A47C 4/22  
297/360  
2,828,803 A \* 4/1958 Howe ..... A47C 7/58  
297/333  
2,986,201 A \* 5/1961 McCartan ..... A47C 7/506  
297/423.31  
3,137,527 A \* 6/1964 Hoven ..... A47C 1/124  
297/331

(Continued)

(\*\*) Term: **15 Years**

*Primary Examiner* — Kevin K Rudzinski

*Assistant Examiner* — Paul D Bohannon

(21) Appl. No.: **29/846,102**

(74) *Attorney, Agent, or Firm* — St. Onge Steward  
Johnston & Reens LLC

(22) Filed: **Jul. 13, 2022**

(51) **LOC (14) Cl.** ..... **06-01**

(57) **CLAIM**

The ornamental design for a chair, as shown and described.

(52) **U.S. Cl.**  
USPC ..... **D6/374**

**DESCRIPTION**

(58) **Field of Classification Search**  
USPC ..... D6/364, 368, 360, 717, 341  
CPC ..... A47C 1/12; A47C 1/024; A47C 1/121;  
A47C 4/04; A47C 7/54; A47C 7/622;  
A47C 7/624; B64D 11/064; B64D  
2011/0046  
See application file for complete search history.

FIG. 1 is a front perspective view of a chair in accordance with the new design;  
FIG. 2 is a front view thereof;  
FIG. 3 is a rear view thereof;  
FIG. 4 is a right view thereof;  
FIG. 5 is a left view thereof;  
FIG. 6 is a top view thereof;  
FIG. 7 is a bottom view thereof;  
FIG. 8 is a front perspective view of a chair of FIG. 1, with the seat in the open position;  
FIG. 9 is a front view thereof;  
FIG. 10 is a rear view thereof;  
FIG. 11 is a right view thereof;  
FIG. 12 is a left view thereof;  
FIG. 13 is a top view thereof; and,  
FIG. 14 is a bottom view thereof.

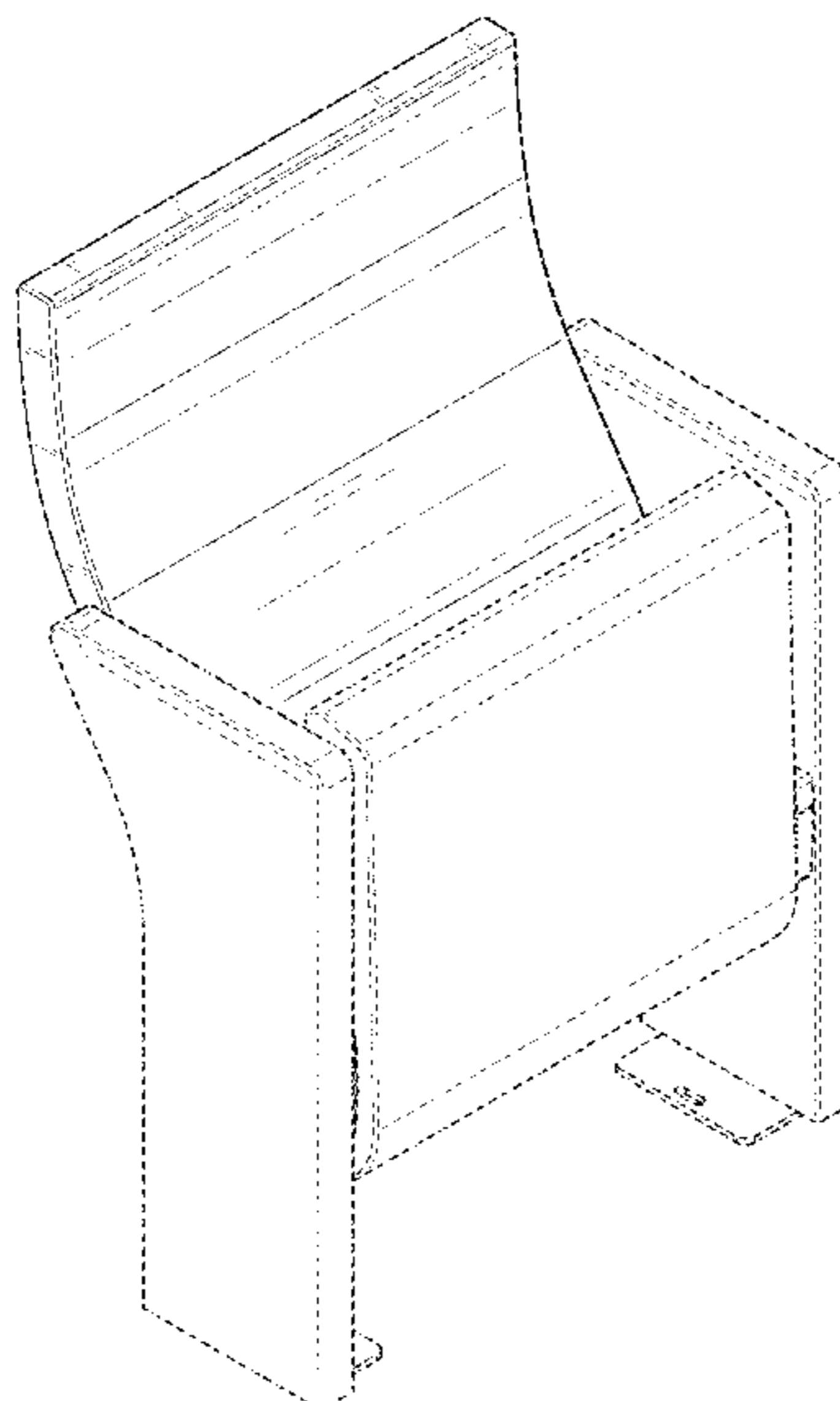
The broken lines shown in the drawings are for the purpose of illustrating portions of the article that form no part of the claimed design.

(56) **References Cited**

U.S. PATENT DOCUMENTS

2,492,103 A \* 12/1949 Merrill ..... A47C 7/566  
297/331  
2,492,111 A \* 12/1949 Prosser ..... A47C 7/566  
297/331  
2,500,124 A \* 3/1950 Hoven ..... A47C 7/566  
297/331  
2,518,381 A \* 8/1950 Runkles ..... A47C 7/70  
297/145  
D165,457 S \* 12/1951 Hoven et al. .... D6/368  
2,608,238 A \* 8/1952 Larsen ..... A47C 7/56  
297/332  
2,620,858 A \* 12/1952 Hoven ..... A47C 7/58  
248/575

**1 Claim, 14 Drawing Sheets**



(56)

**References Cited**

U.S. PATENT DOCUMENTS

3,182,377 A \* 5/1965 Hoven ..... A47C 1/12  
 297/452.55  
 D208,468 S \* 9/1967 Okiyama ..... D6/360  
 D210,364 S \* 3/1968 Lindberg ..... D6/717  
 3,479,084 A \* 11/1969 Van Ryn ..... A47C 7/70  
 297/170  
 D216,305 S \* 12/1969 Gazit ..... D6/368  
 D222,350 S \* 10/1971 Sundberg ..... D6/368  
 D447,642 S \* 9/2001 Kimura ..... D6/368  
 6,582,020 B1 \* 6/2003 Tenenboym ..... A47C 1/121  
 297/335  
 D520,765 S \* 5/2006 Piano ..... D6/368  
 D530,936 S \* 10/2006 Gehry ..... D6/368  
 D672,980 S \* 12/2012 Mitjans ..... D6/364  
 2007/0063568 A1 \* 3/2007 Figueras Mitjans ..... A47C 7/54  
 297/411.2  
 2014/0225404 A1 \* 8/2014 Ramirez Magana .. A47C 1/024  
 297/248  
 2016/0288910 A1 \* 10/2016 Udriste ..... B60N 2/062  
 2020/0189739 A1 \* 6/2020 Schultz ..... B60N 2/66  
 2020/0216178 A1 \* 7/2020 Lin ..... B64D 11/0627

\* cited by examiner

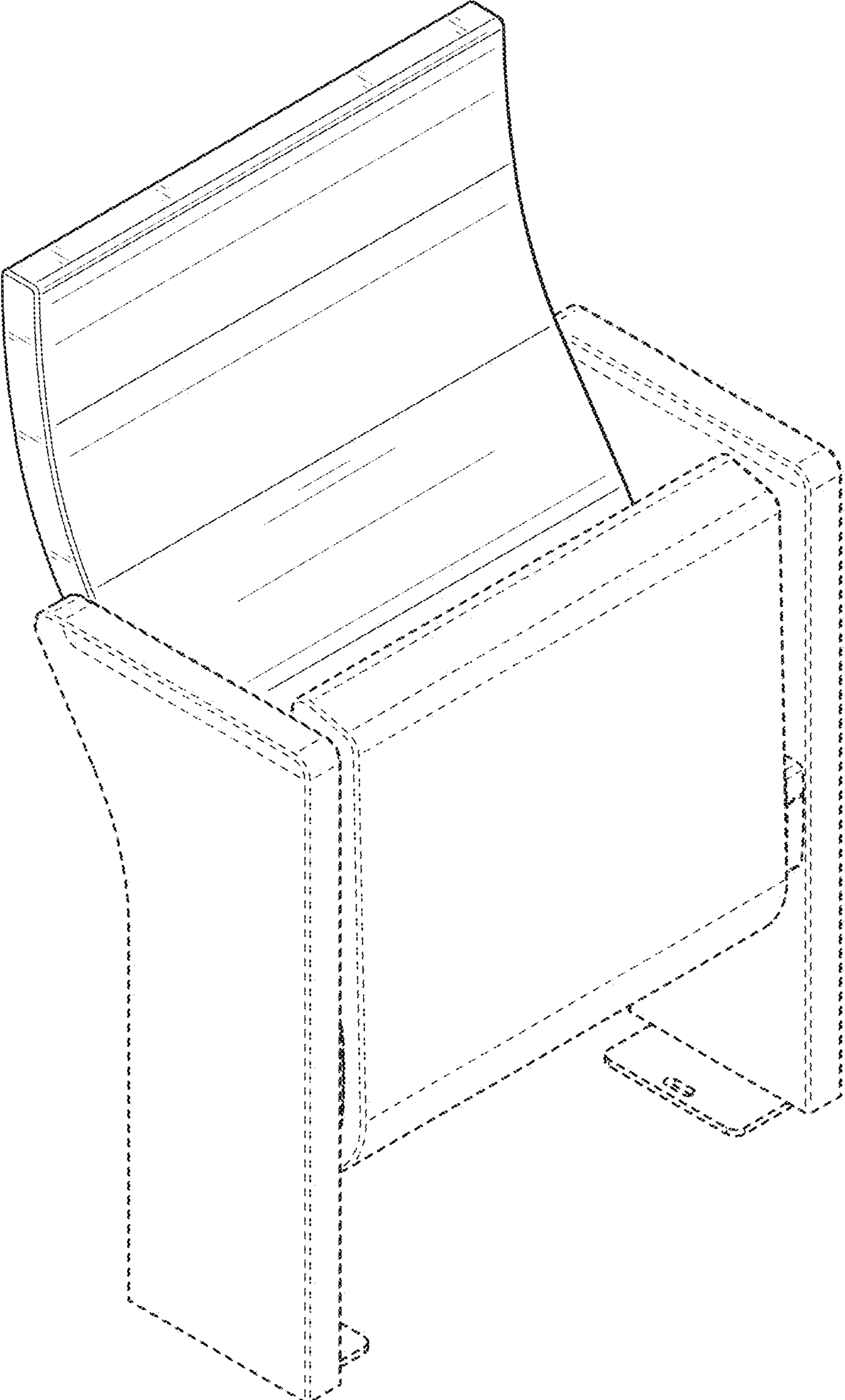


FIG. 1

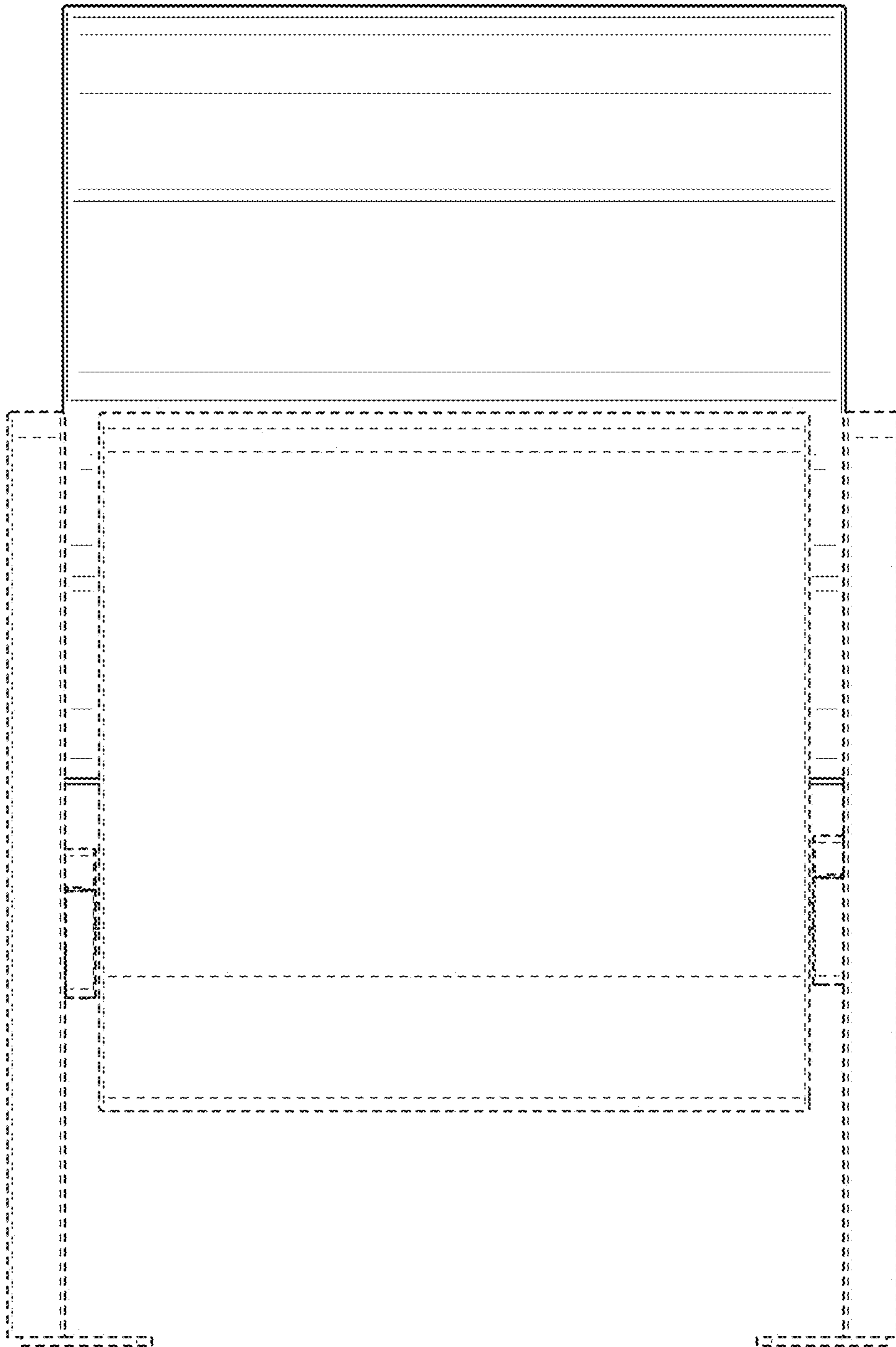


FIG. 2

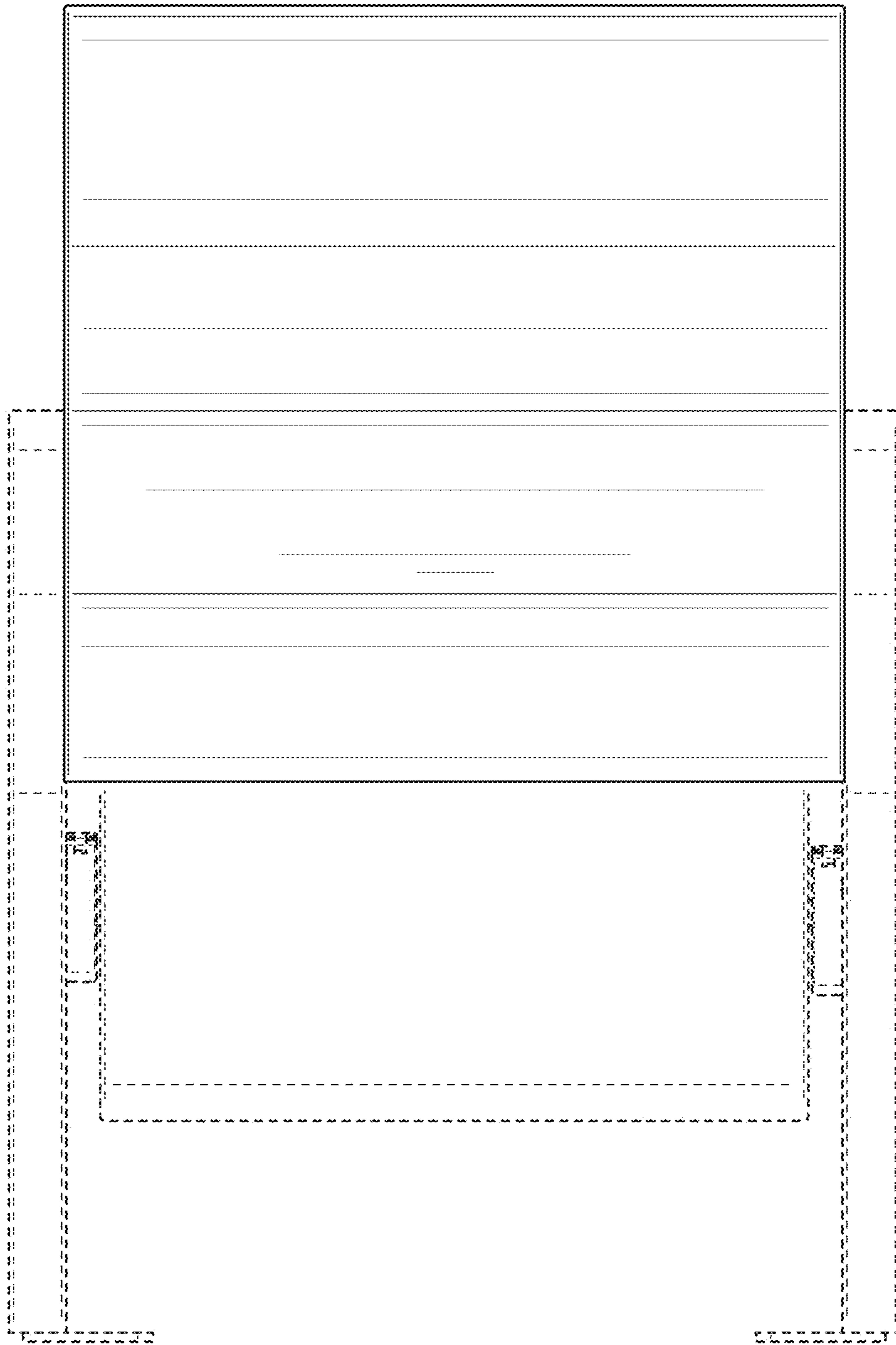


FIG. 3

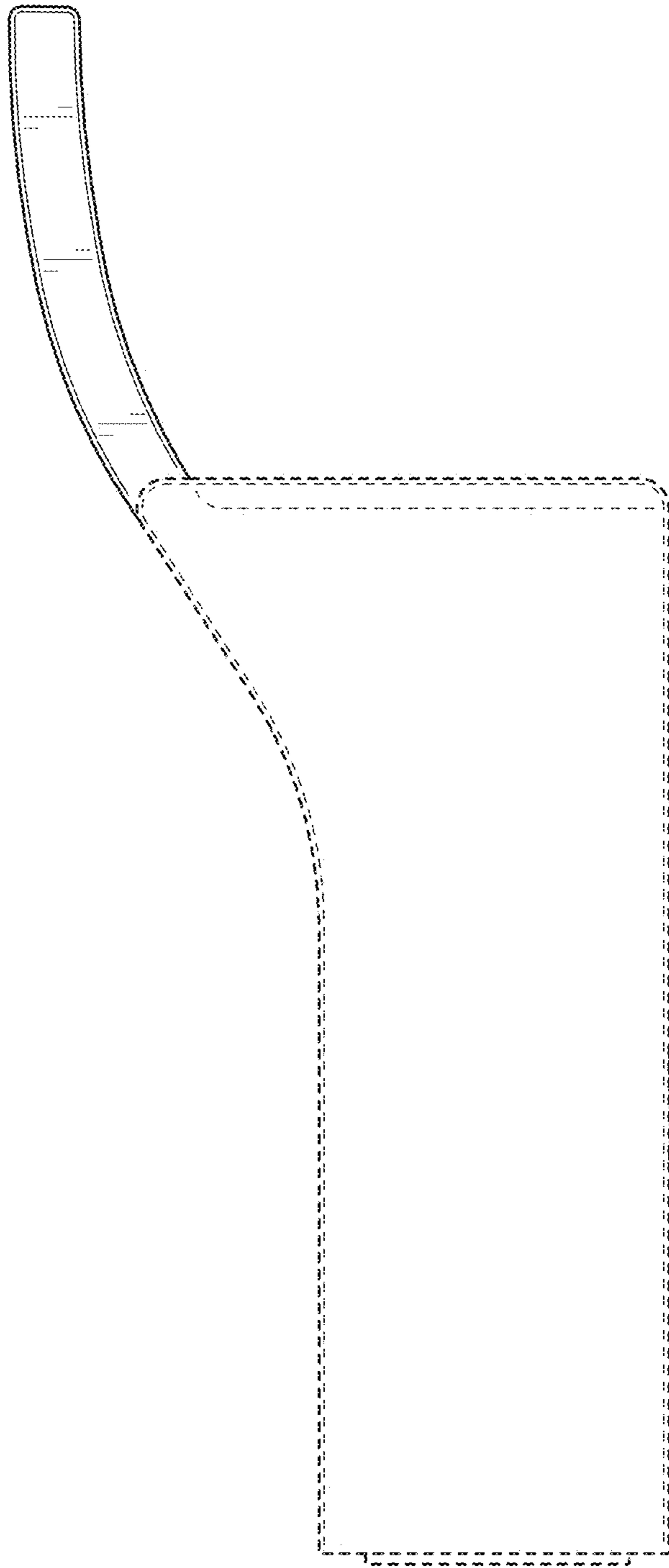


FIG. 4

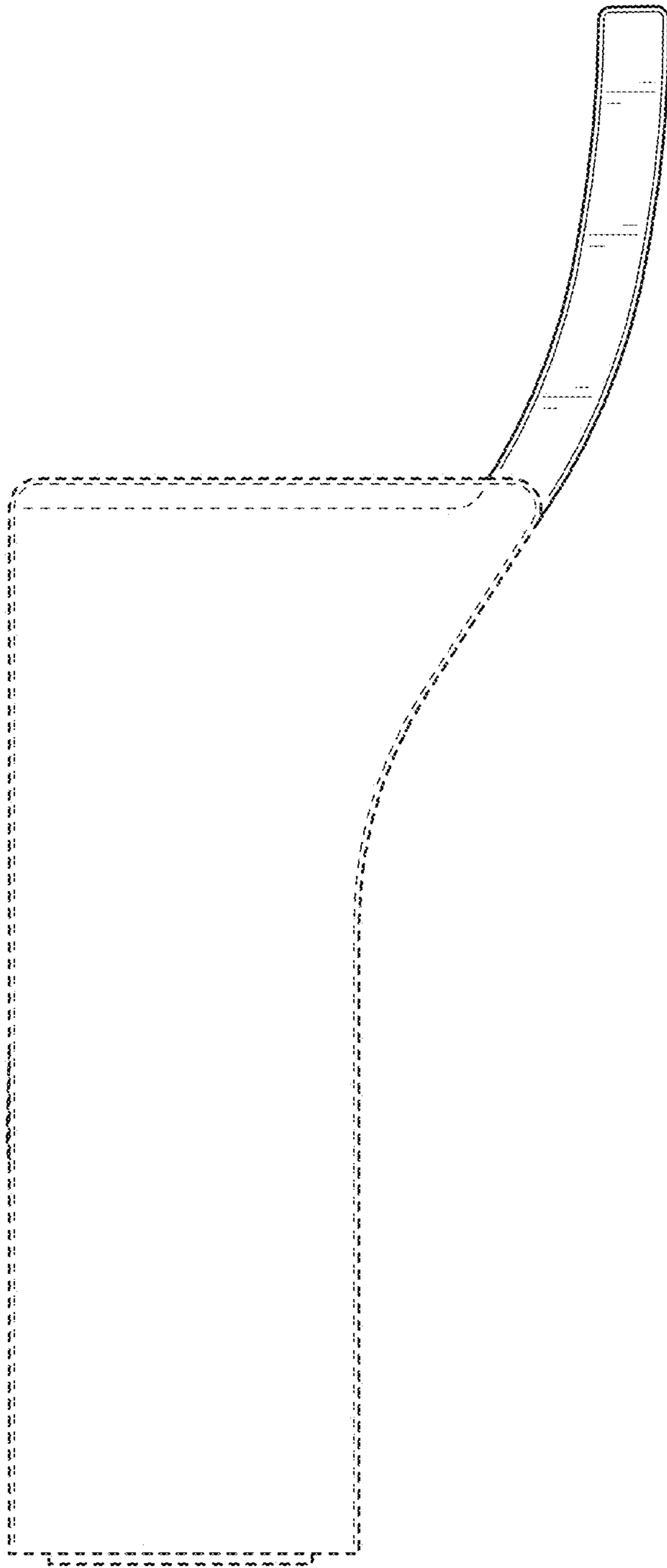


FIG. 5

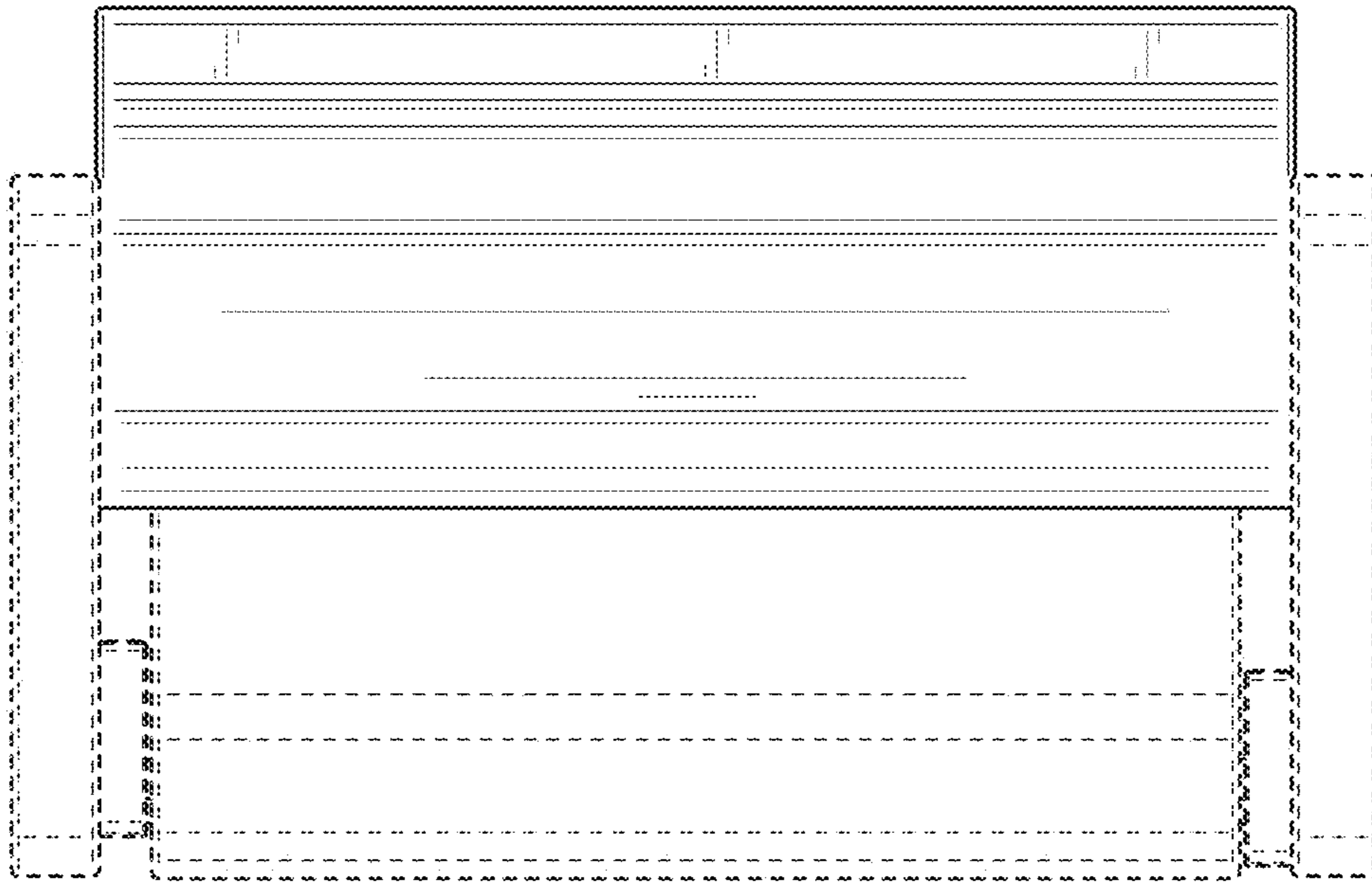


FIG. 6



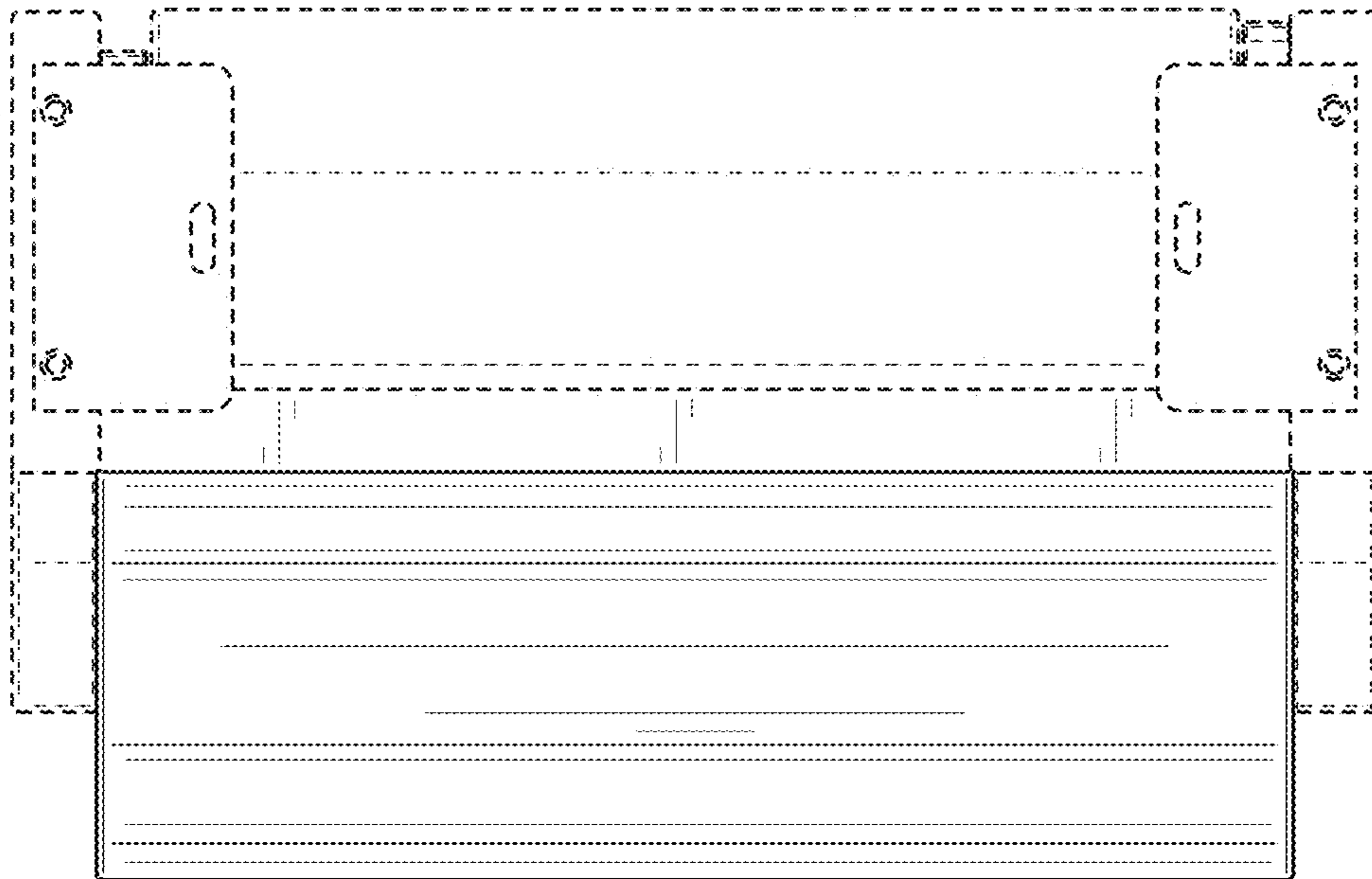


FIG. 7

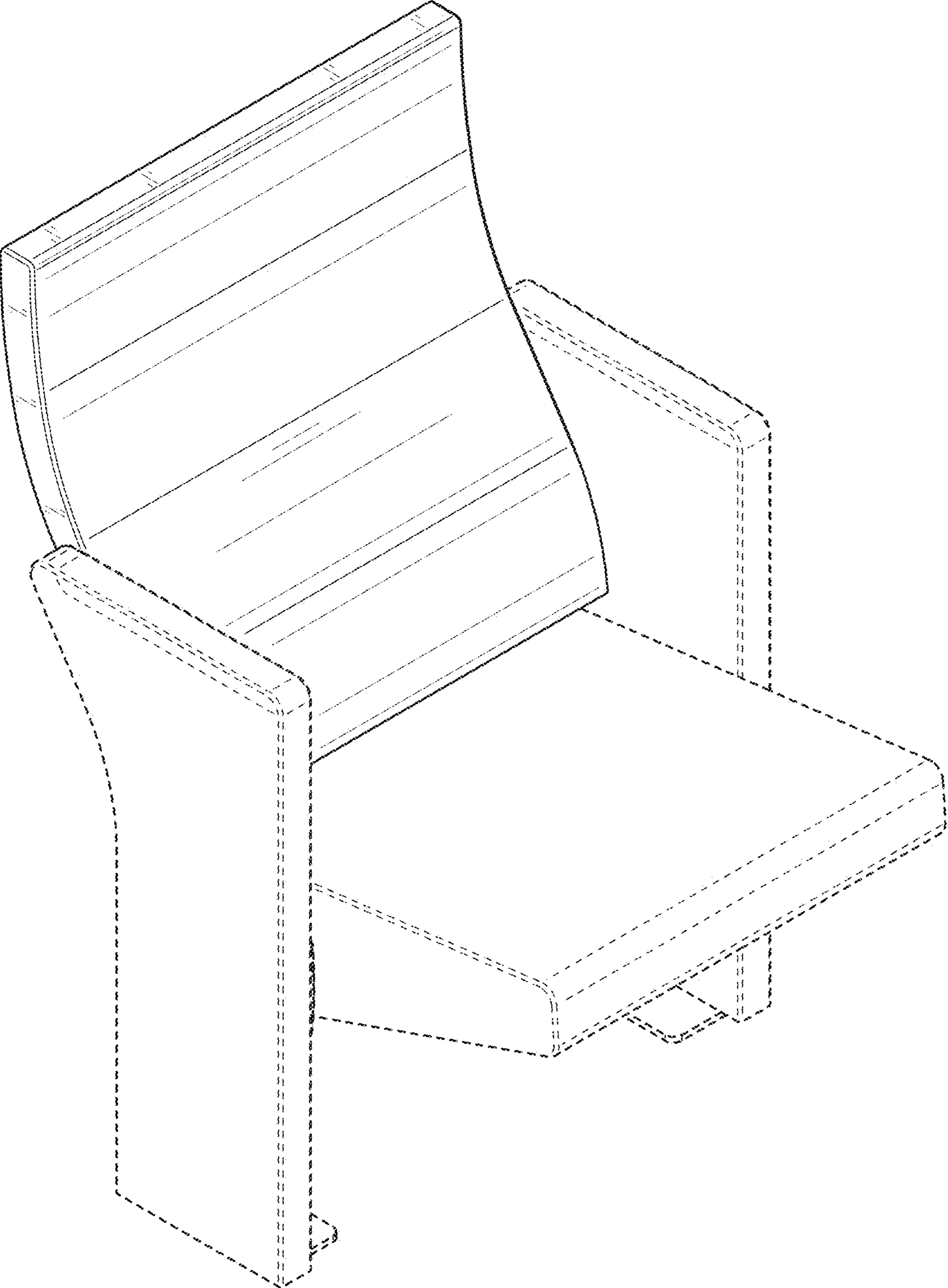


FIG. 8

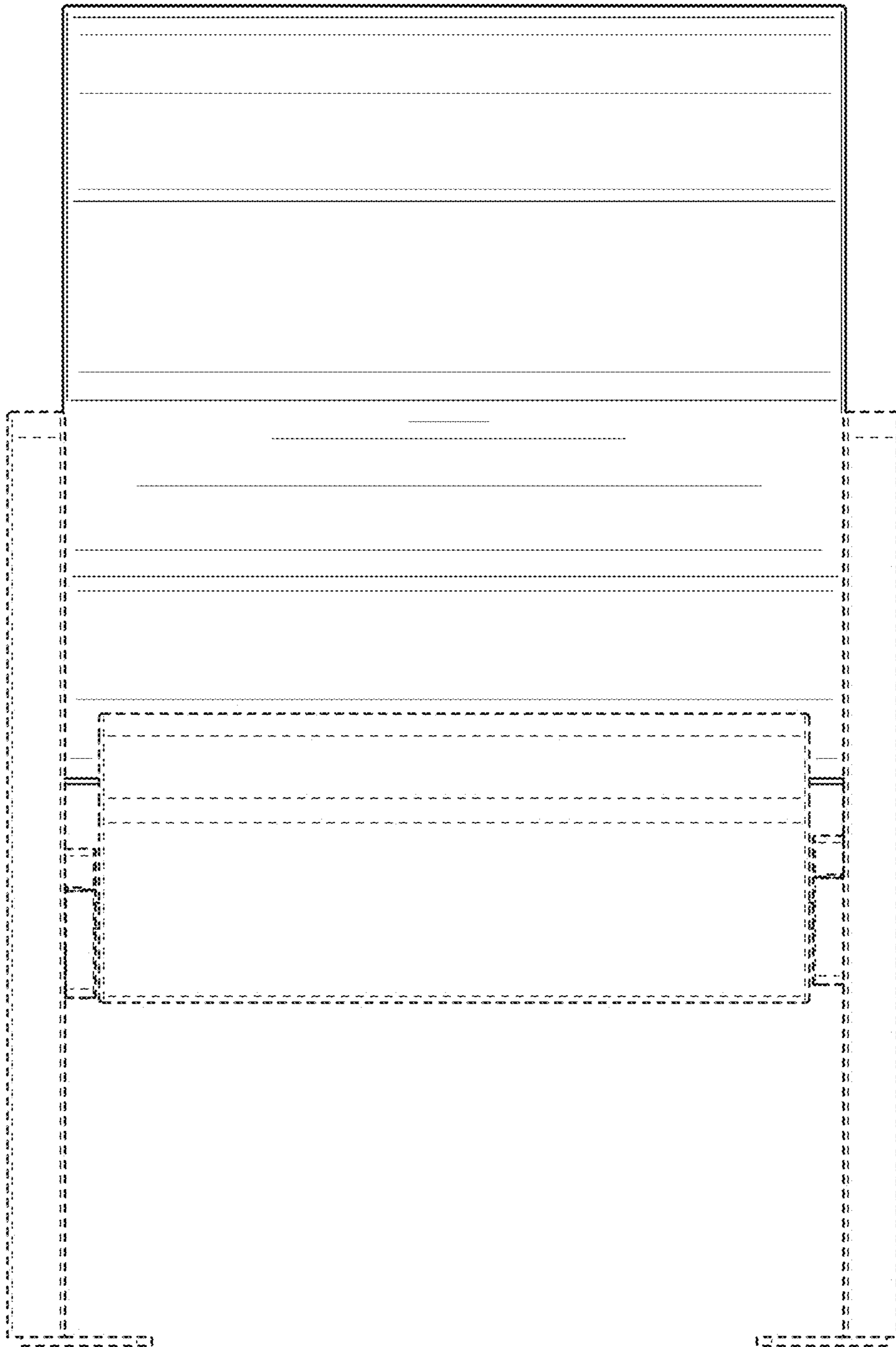


FIG. 9

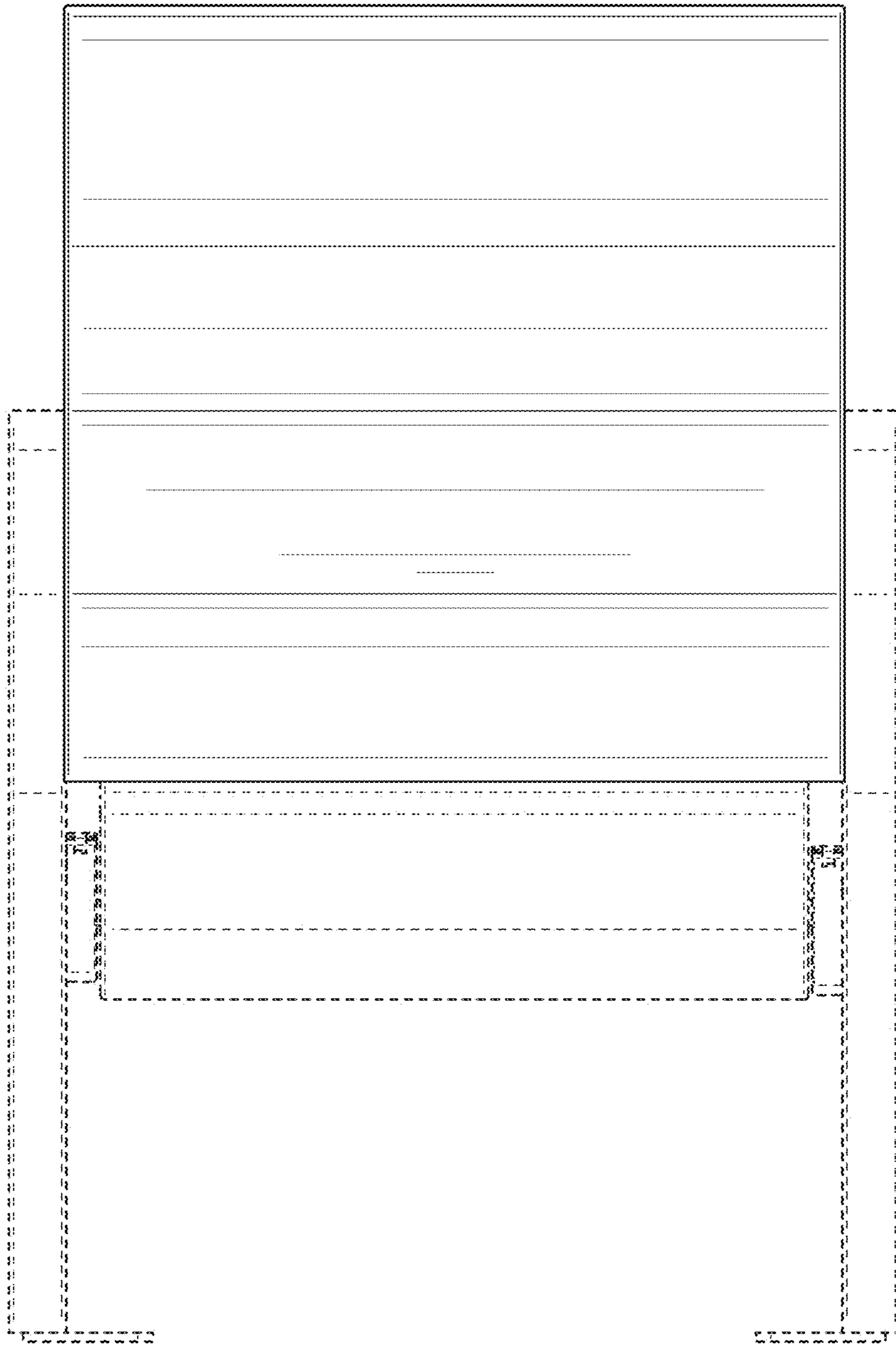


FIG. 10

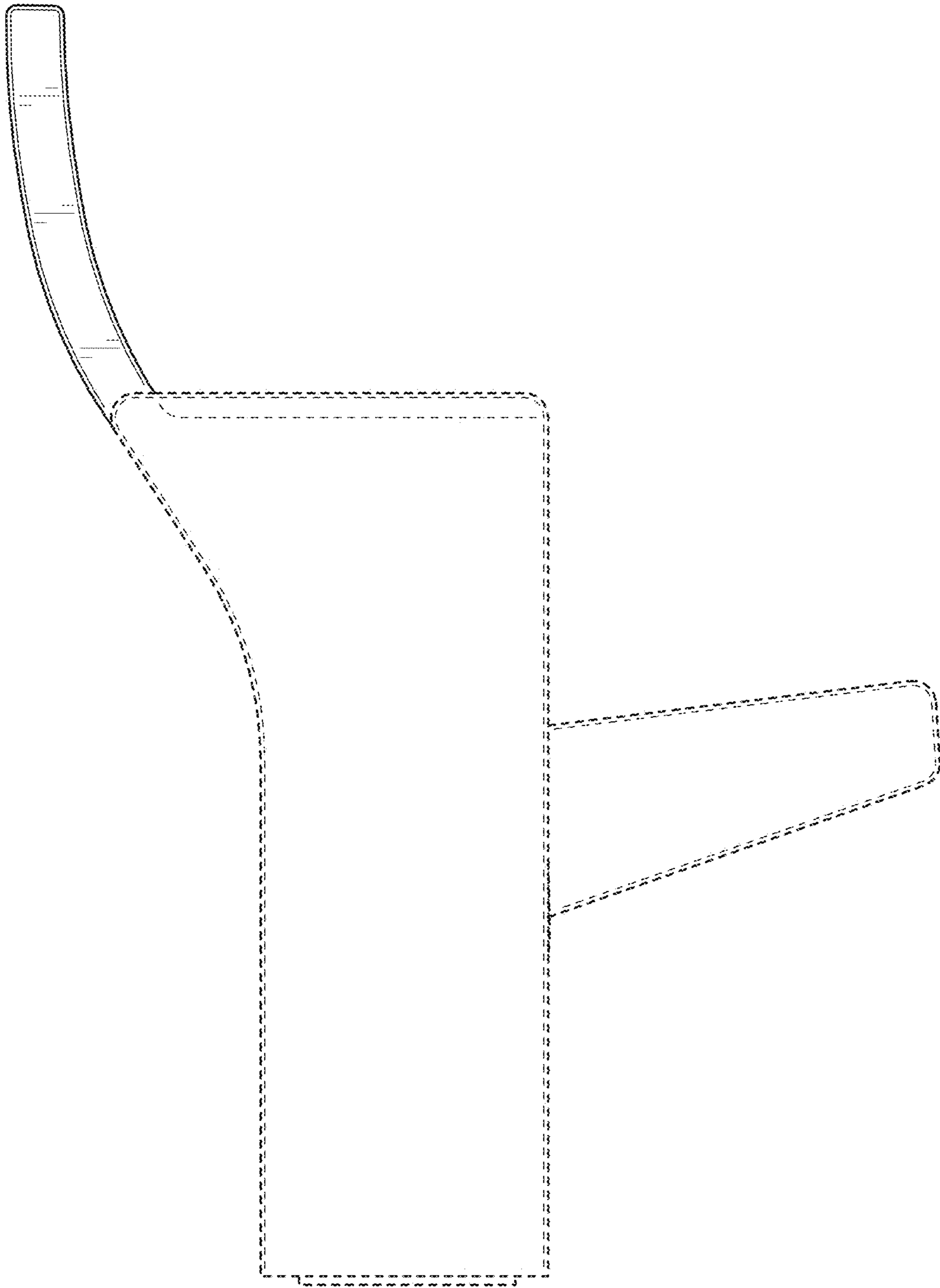


FIG. 11

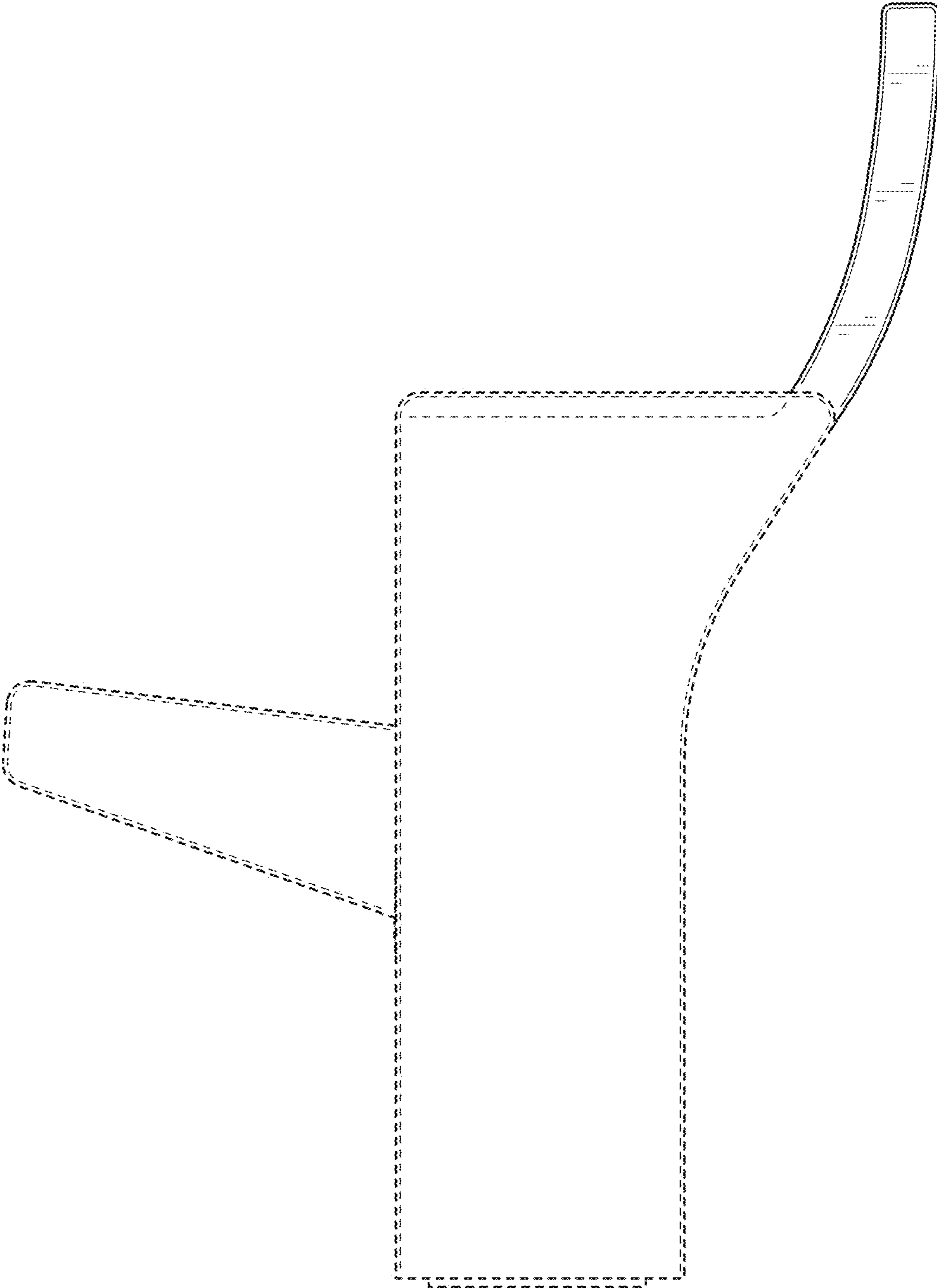


FIG. 12

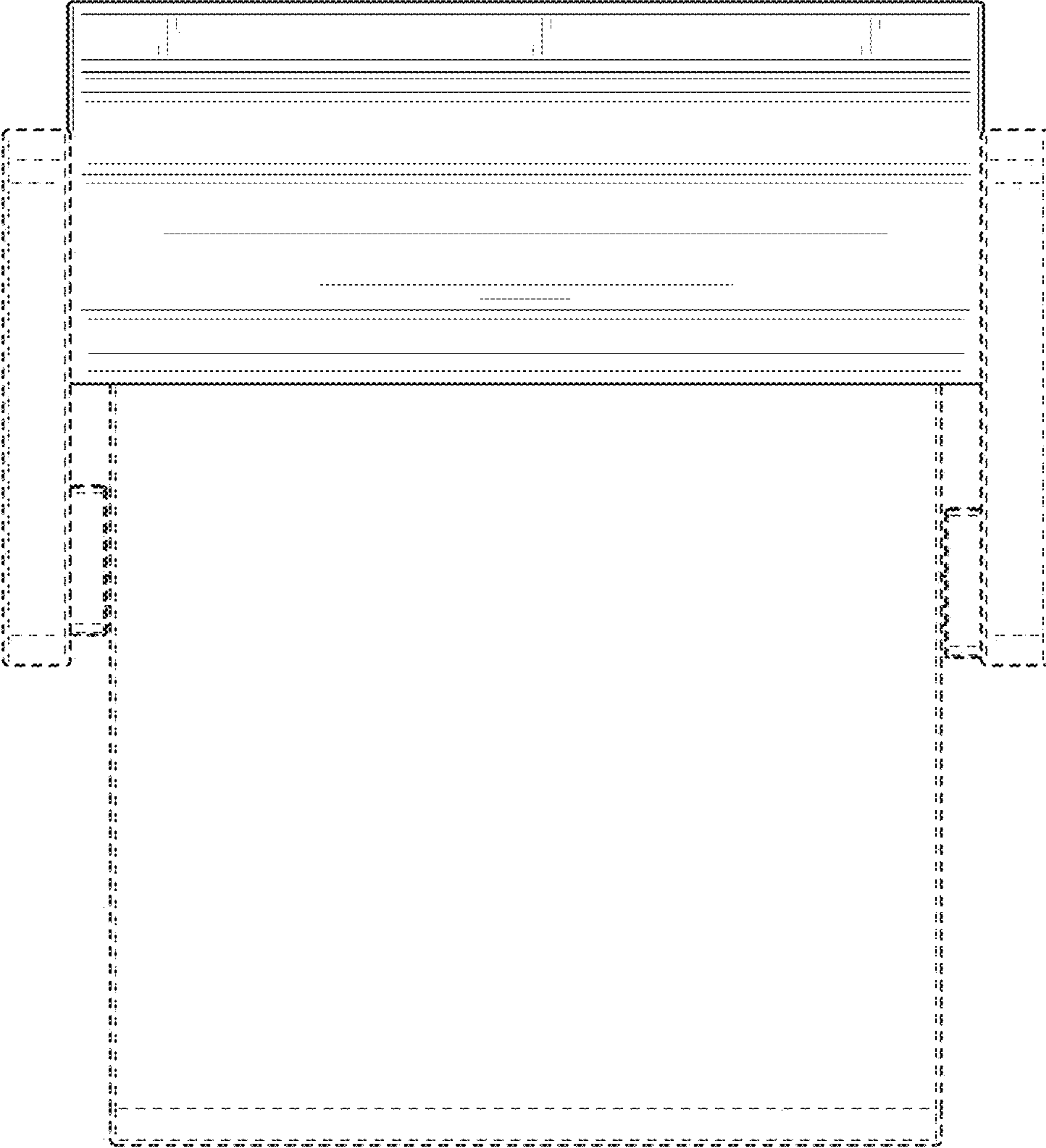


FIG. 13

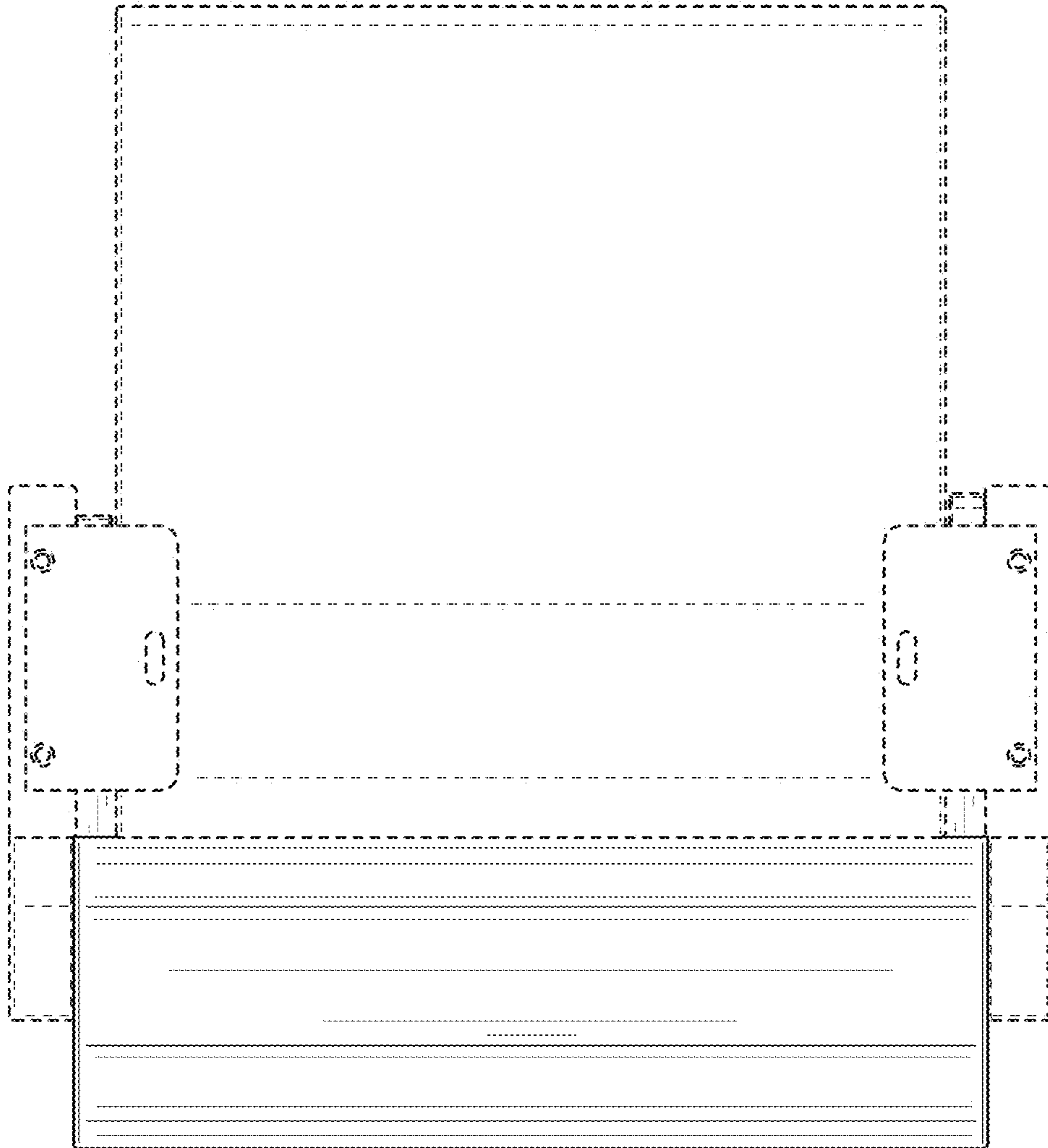


FIG. 14