



US00D979271S

(12) **United States Design Patent** (10) **Patent No.:** **US D979,271 S**  
**Hale et al.** (45) **Date of Patent:** **\*\* Feb. 28, 2023**

(54) **FOLDING CHAIR** D511,628 S \* 11/2005 Cross ..... D6/370  
6,976,733 B1 \* 12/2005 Biederman ..... A47C 4/24  
297/173  
(71) Applicant: **Backyard Nature Products**, Chilton, WI (US) D646,071 S \* 10/2011 Bogdan ..... D6/370  
D687,234 S \* 8/2013 Pedersen ..... D6/370  
(72) Inventors: **Ryan Hale**, Chilton, WI (US); **David Demarco**, Chilton, WI (US) D719,751 S \* 12/2014 Nelson ..... D6/370  
D749,861 S \* 2/2016 Lawrence ..... D6/342  
D845,018 S \* 4/2019 Schölander ..... D6/380  
D896,540 S \* 9/2020 Schölander ..... D6/368  
(73) Assignee: **Backyard Nature Products, LLC**, Chilton, WI (US) 2022/0007838 A1 \* 1/2022 Hale ..... A47C 4/24

(\*\*) Term: **15 Years**  
(21) Appl. No.: **29/756,995**

(22) Filed: **Nov. 2, 2020**  
(51) **LOC (14) Cl.** ..... **06-01**  
(52) **U.S. Cl.**  
USPC ..... **D6/368**  
(58) **Field of Classification Search**  
USPC ..... D6/360, 368, 369, 374, 375, 376, 379, D6/380, 716  
CPC .. A47C 3/04; A47C 7/029; A47C 7/40; A47C 9/007  
See application file for complete search history.

(56) **References Cited**  
**U.S. PATENT DOCUMENTS**  
D44,752 S \* 10/1913 Eckerson ..... D6/370  
2,873,793 A \* 2/1959 Garcia ..... A47C 4/14  
297/57  
D276,107 S \* 10/1984 Grosfillex ..... D6/370  
D288,870 S \* 3/1987 Biscarini ..... D6/368  
D295,345 S \* 4/1988 Hubert ..... D6/370  
D461,968 S \* 8/2002 Adams ..... D6/368  
D461,969 S \* 8/2002 Diaz-Azcuy ..... D6/369  
D479,774 S \* 9/2003 Wimberger ..... D6/370  
6,682,138 B2 \* 1/2004 Adams ..... A47C 4/14  
297/56  
D489,912 S \* 5/2004 Hutton ..... D6/370  
D501,732 S \* 2/2005 Hutton ..... D6/370

**OTHER PUBLICATIONS**

“Askholmen” May 25, 2017, ikea.com, site visited May 16, 2022  
<<https://www.ikea.com/us/en/p/askholmen-chair-outdoor-foldable-light-brown-stained-50240031/>> (Year: 2017).\*

\* cited by examiner

*Primary Examiner* — Kevin K Rudzinski  
*Assistant Examiner* — Paul D Bohannon

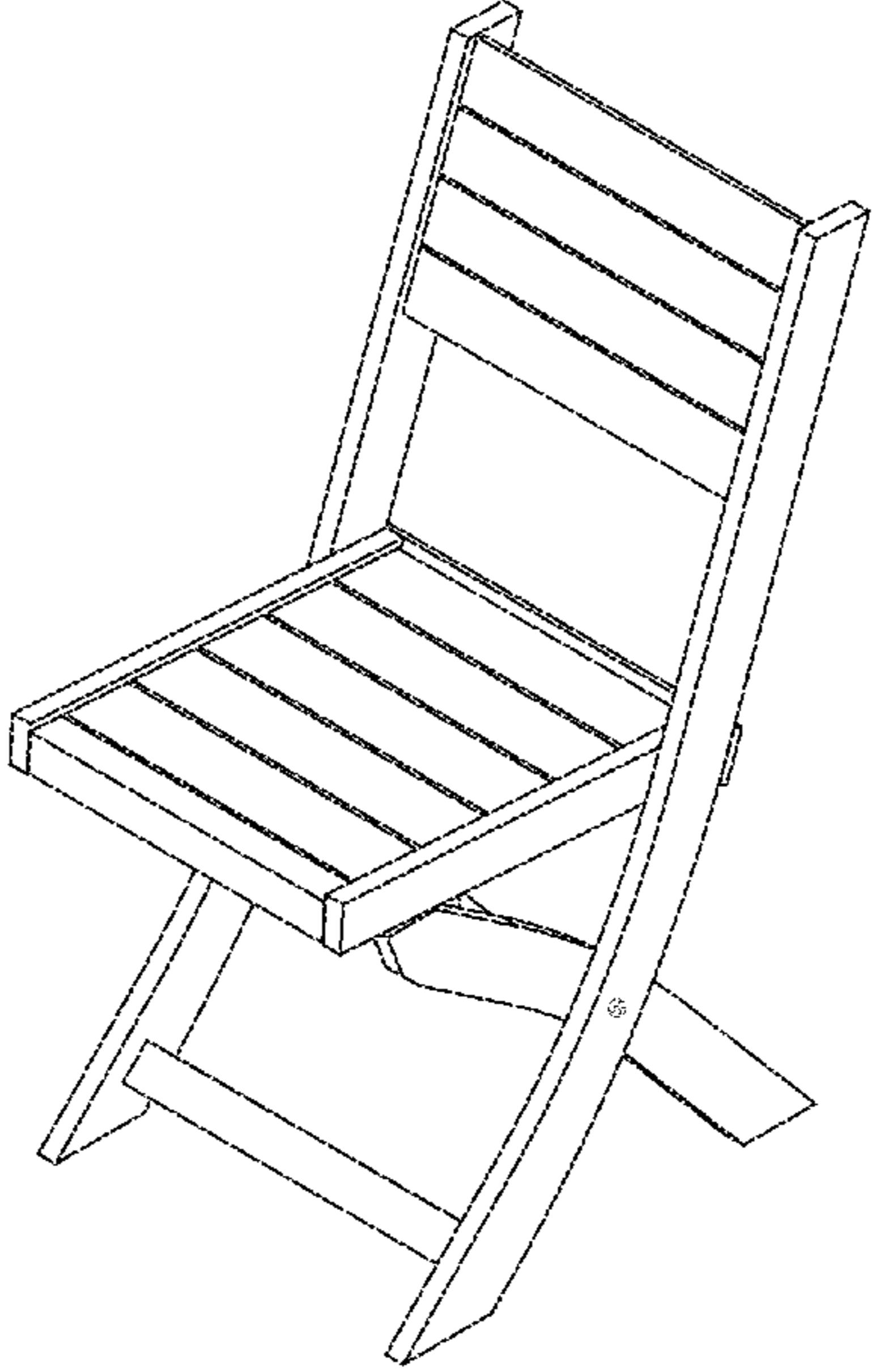
(57) **CLAIM**

The ornamental design for a folding chair, substantially as shown and described.

**DESCRIPTION**

FIG. 1 is a top, front-left perspective view of a folding chair in a first unfolded position of use.  
FIG. 2 is a top, rear-right perspective view thereof.  
FIG. 3 is a right side elevation view thereof.  
FIG. 4 is a bottom, right side perspective view thereof.  
FIG. 5 is a rear elevation view thereof.  
FIG. 6 is a top, front-left side perspective view thereof, shown in a second folded position of use.  
FIG. 7 is a right side elevation view thereof; and,  
FIG. 8 is a top, rear-left side perspective view thereof.  
The broken lines shown in the drawings illustrate portions of the article that form no part of the claimed design.

**1 Claim, 8 Drawing Sheets**



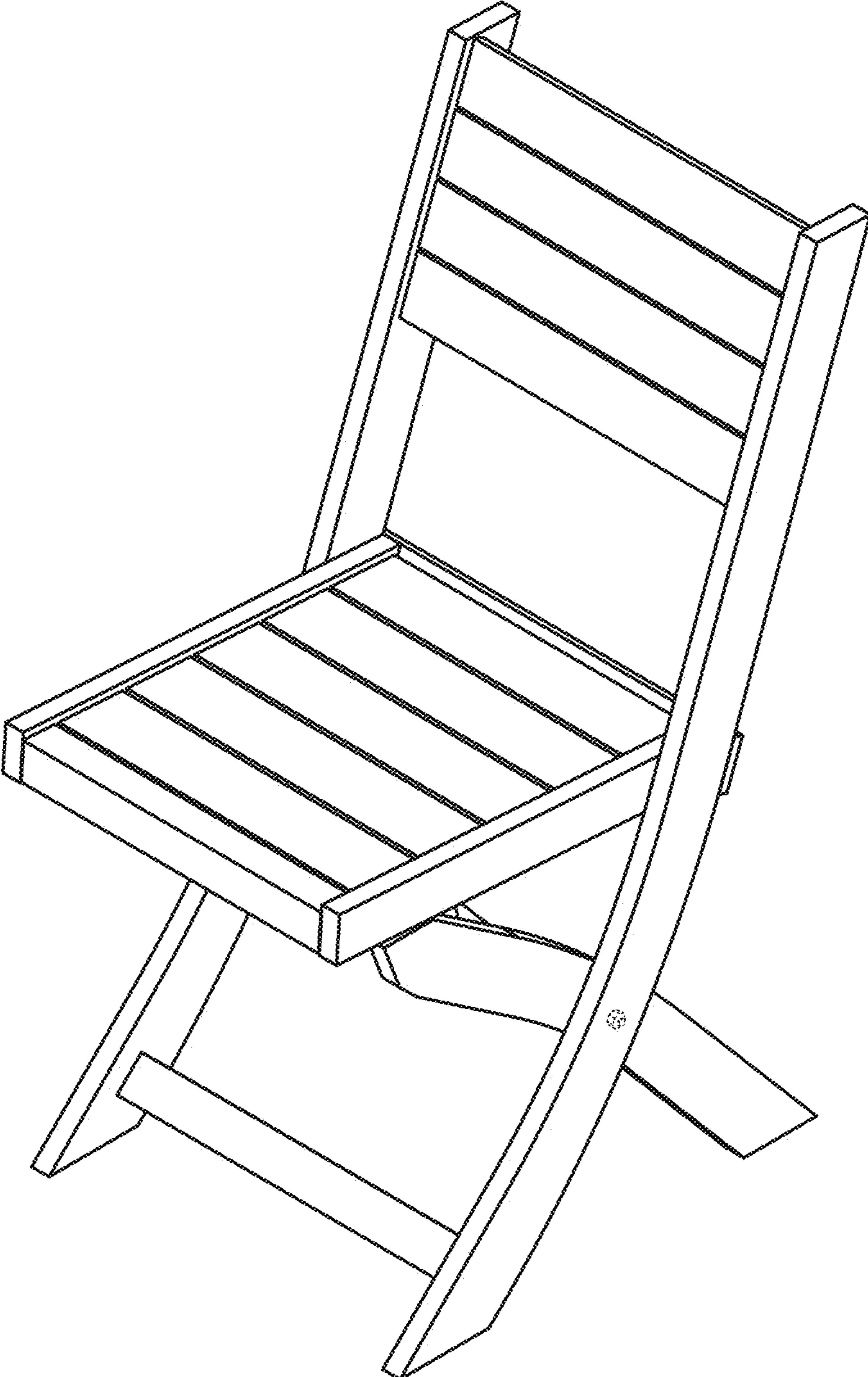


FIGURE 1

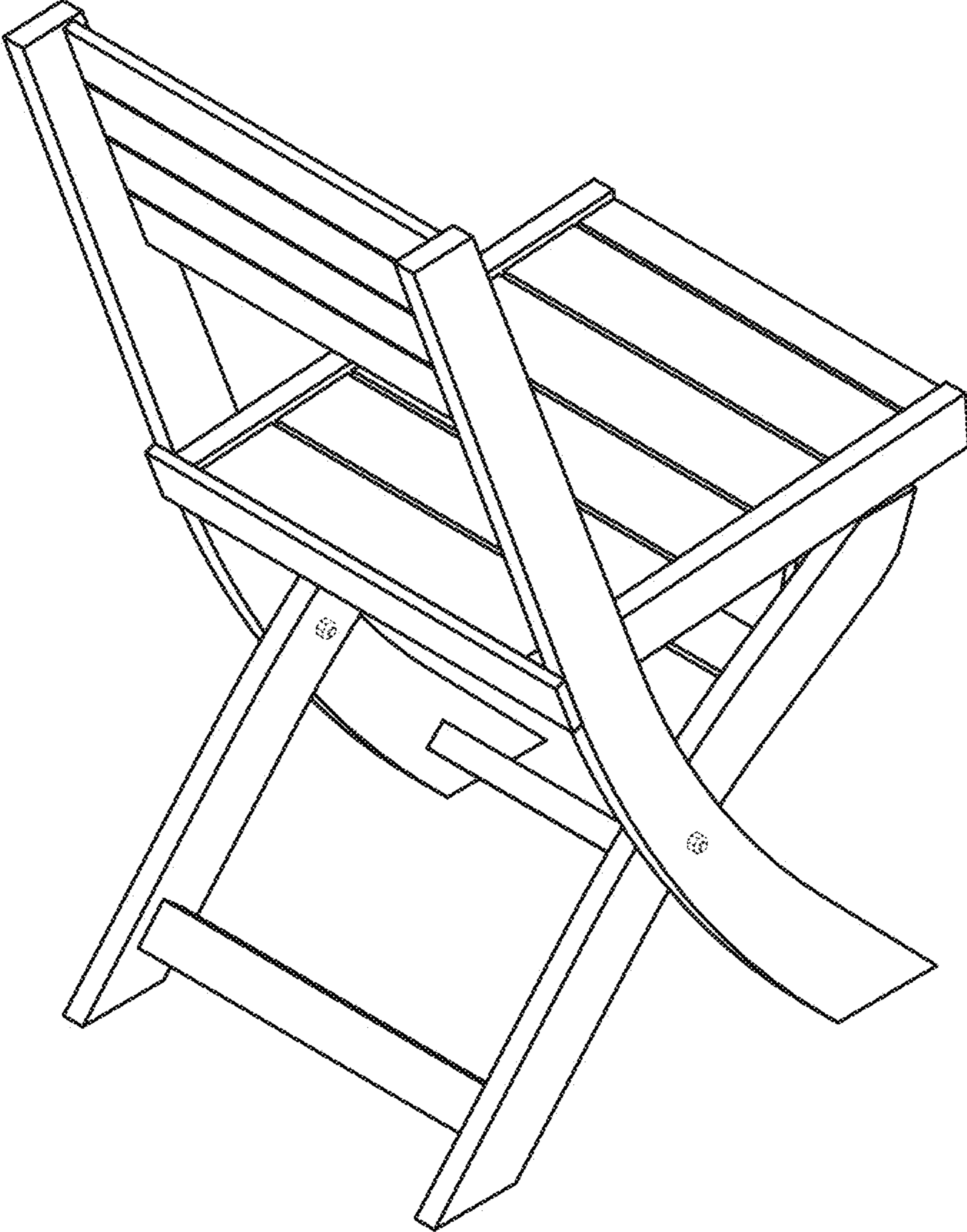


FIGURE 2

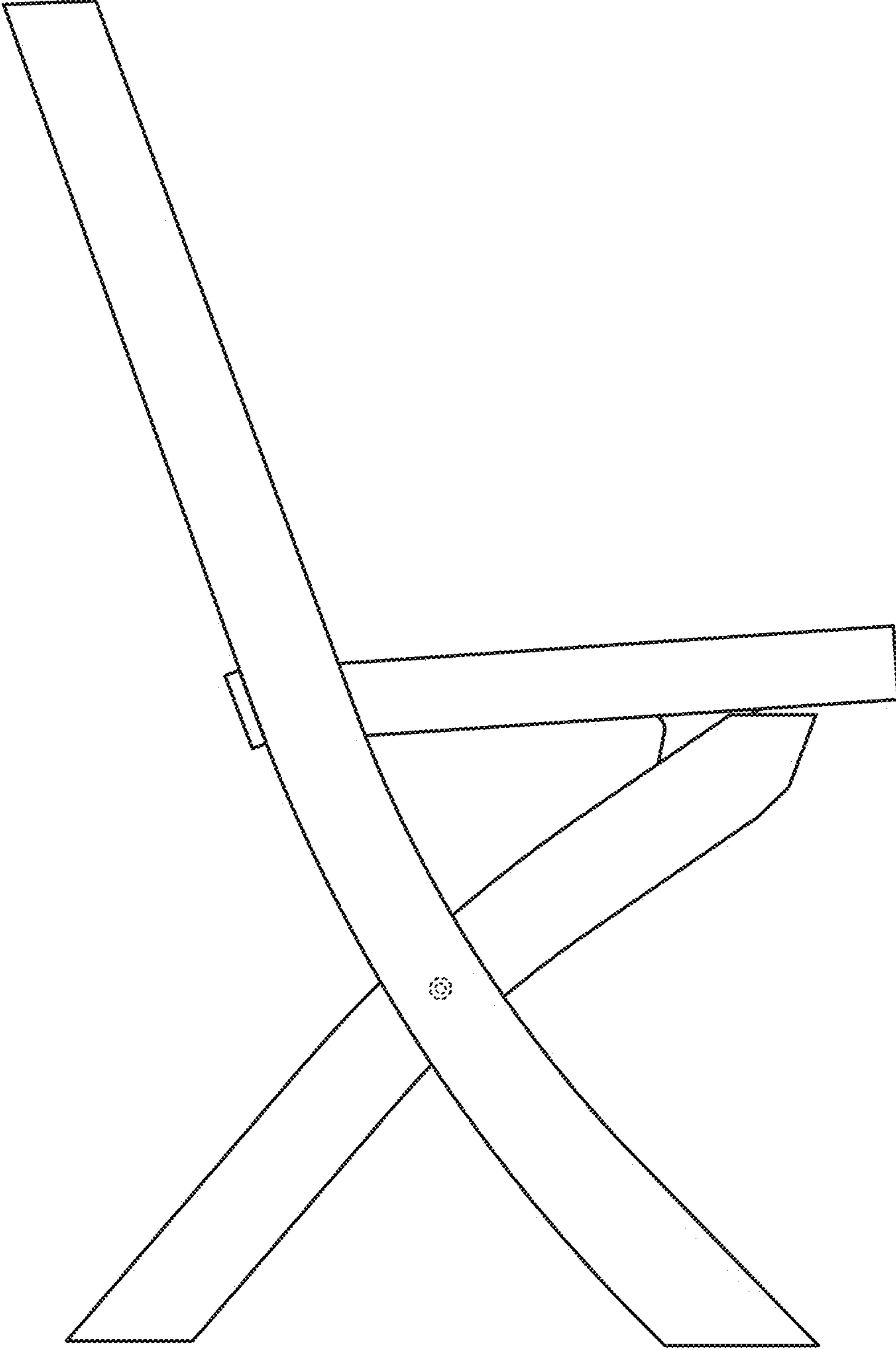


FIGURE 3



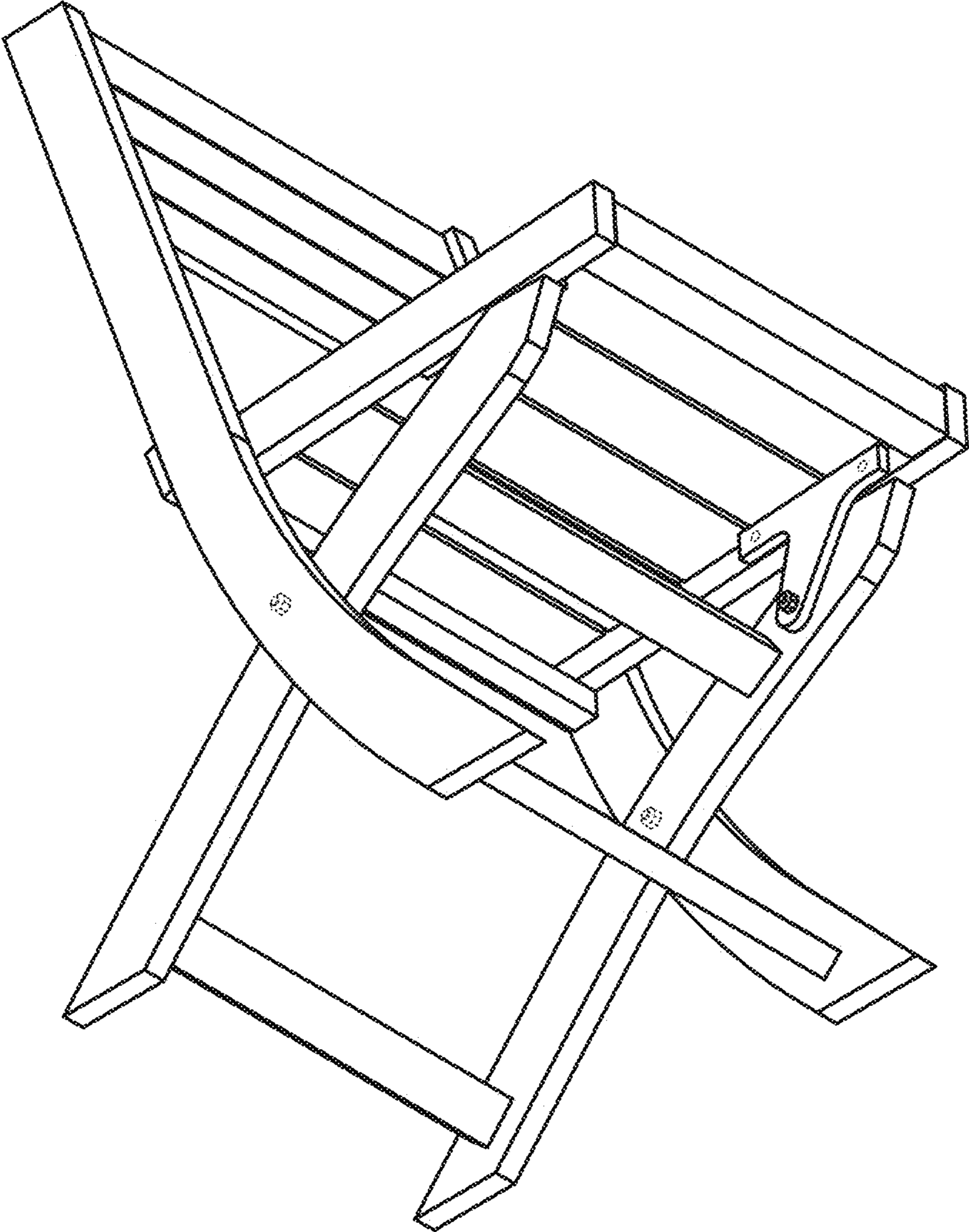


FIGURE 4

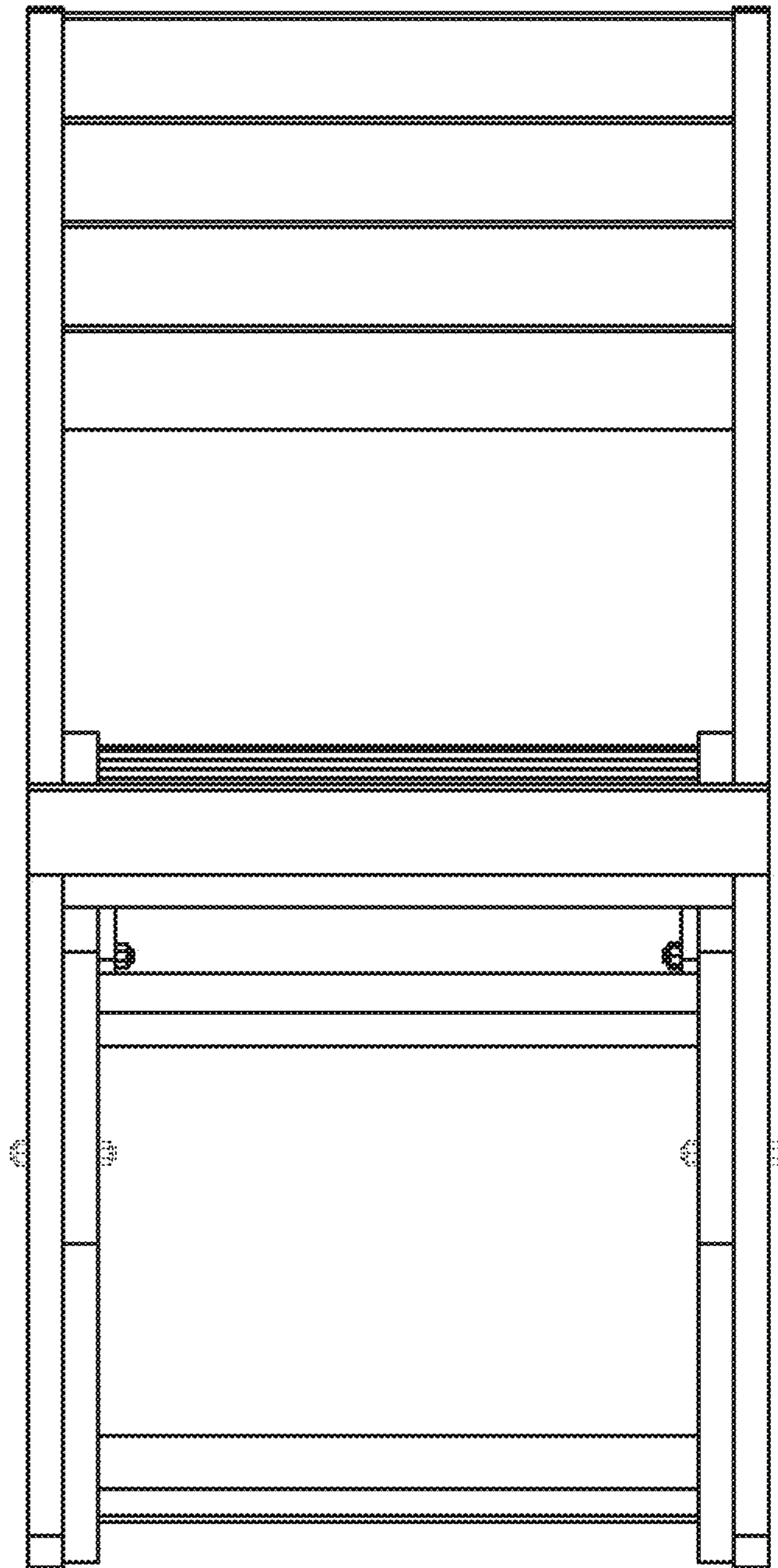


FIGURE 5

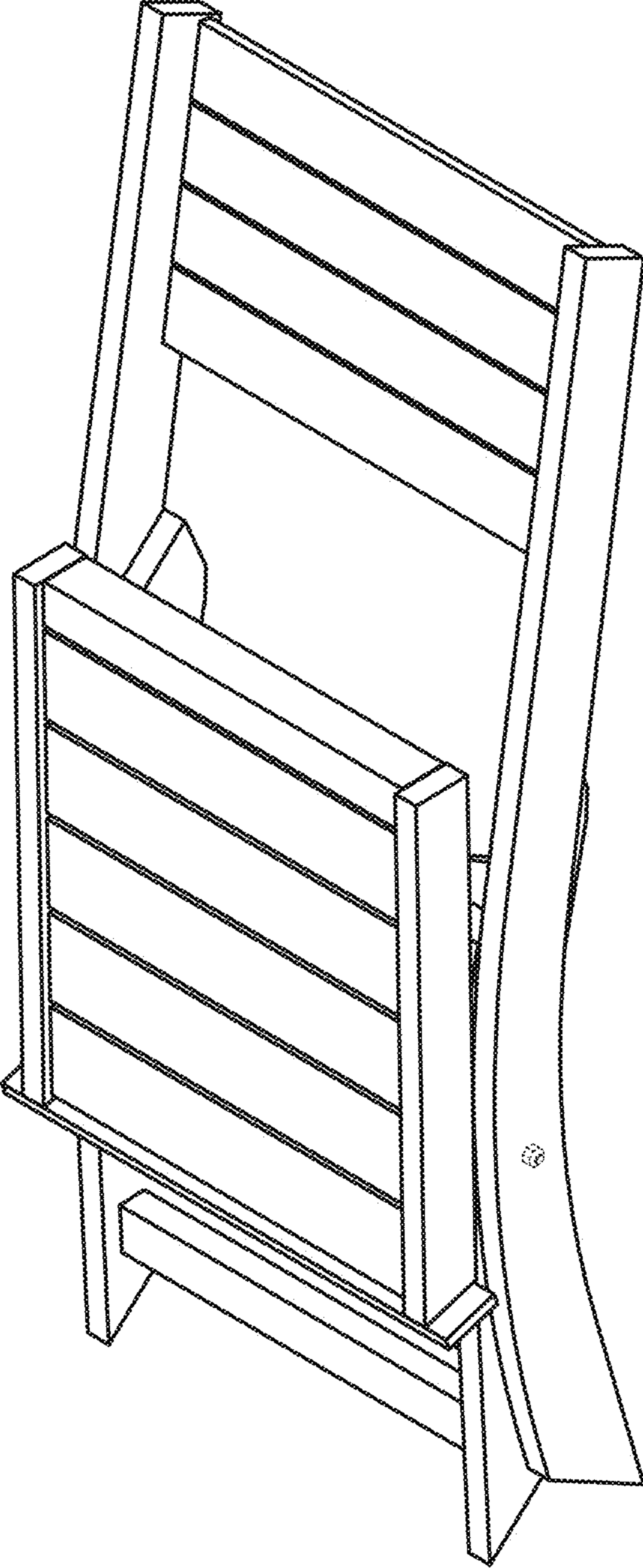


FIGURE 6

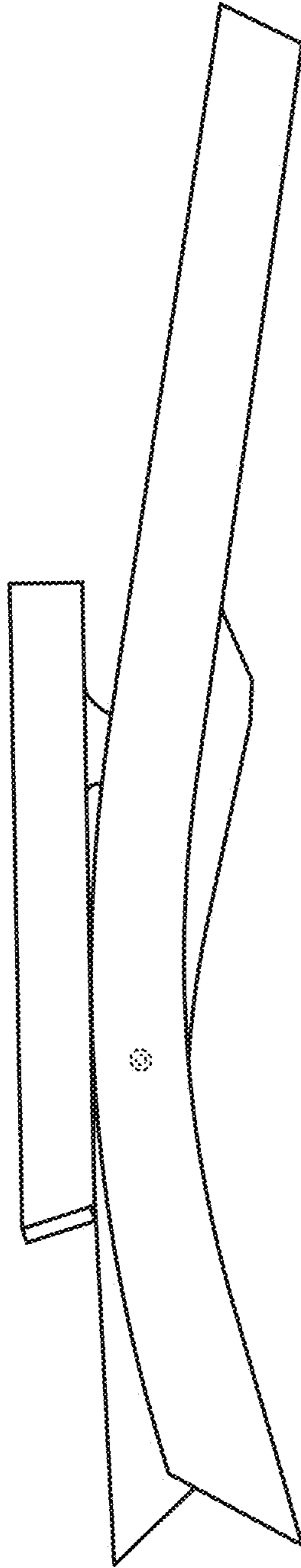


FIGURE 7



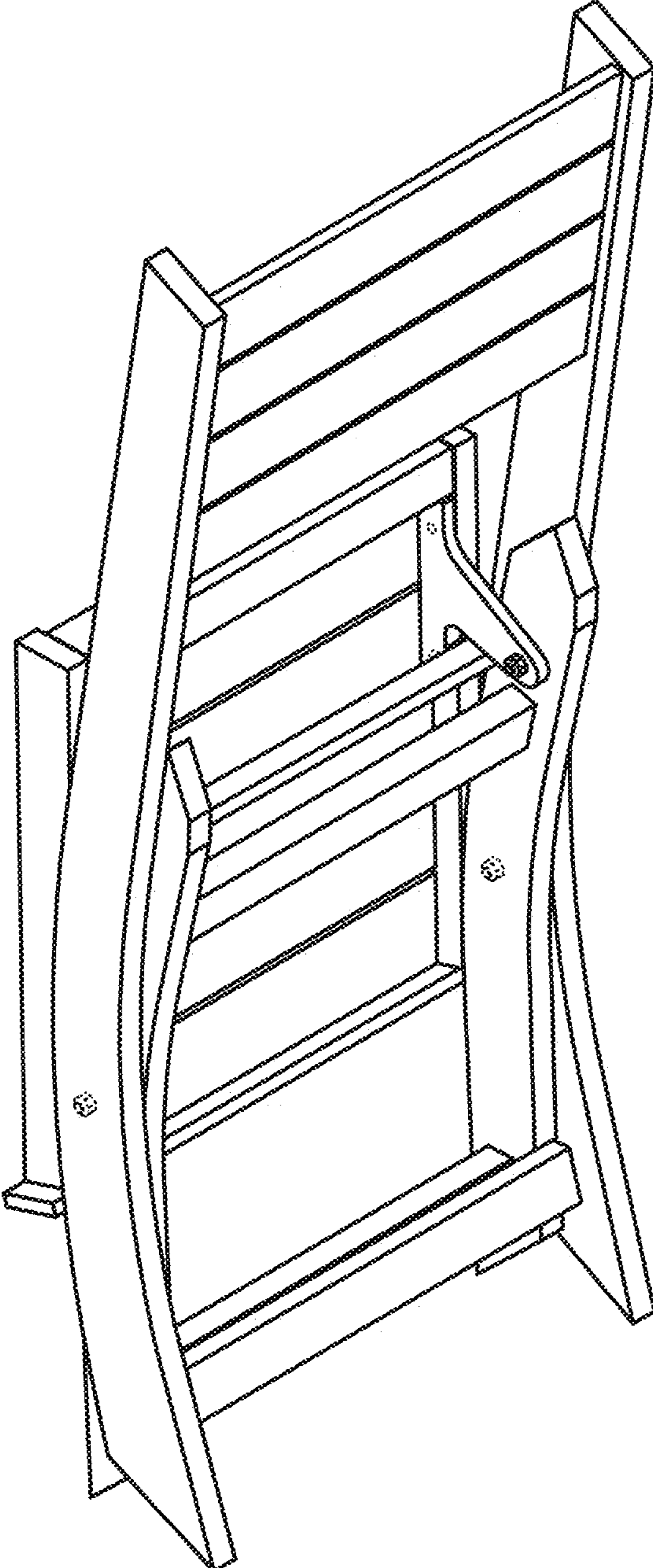


FIGURE 8