



US00D979270S

(12) **United States Design Patent** (10) **Patent No.:** **US D979,270 S**
Ruggiero et al. (45) **Date of Patent:** **** Feb. 28, 2023**

(54) **MESSAGE CHAIR WITH KIOSK DISPLAY AND PARTITION**

(71) Applicant: **Innovative Vending Solutions LLC**, Clayton, NJ (US)

(72) Inventors: **Michael Ruggiero**, Berlin, NJ (US); **Richard Ruggiero**, Sewell, NJ (US); **Gregory Ruggiero**, Sewell, NJ (US)

(73) Assignee: **Innovative Vending Solutions LLC**, Clayton, NJ (US)

(**) Term: **15 Years**

(21) Appl. No.: **29/750,460**

(22) Filed: **Sep. 14, 2020**

(51) **LOC (14) Cl.** **06-01**

(52) **U.S. Cl.**
USPC **D6/367**

(58) **Field of Classification Search**
USPC D6/367, 371, 381; D23/184
(Continued)

(56) **References Cited**

U.S. PATENT DOCUMENTS

D110,791 S * 8/1938 Armour D6/336
D116,800 S * 9/1939 Forster et al. D6/371
(Continued)

FOREIGN PATENT DOCUMENTS

CN 2875408 Y 3/2007
CN 202191023 U 4/2012
(Continued)

OTHER PUBLICATIONS

Osaki OS-7200H Ultra Curve 3D Deluxe Zero gravity Massage Chair, Mar. 18, 2014, <<http://www.themassagechair.com>> <<http://themassagechair.com>>.

(Continued)

Primary Examiner — Kevin K Rudzinski

Assistant Examiner — Paul D Bohannon

(74) *Attorney, Agent, or Firm* — Fox Rothschild LLP; Carol E. Thorstad-Forsyth

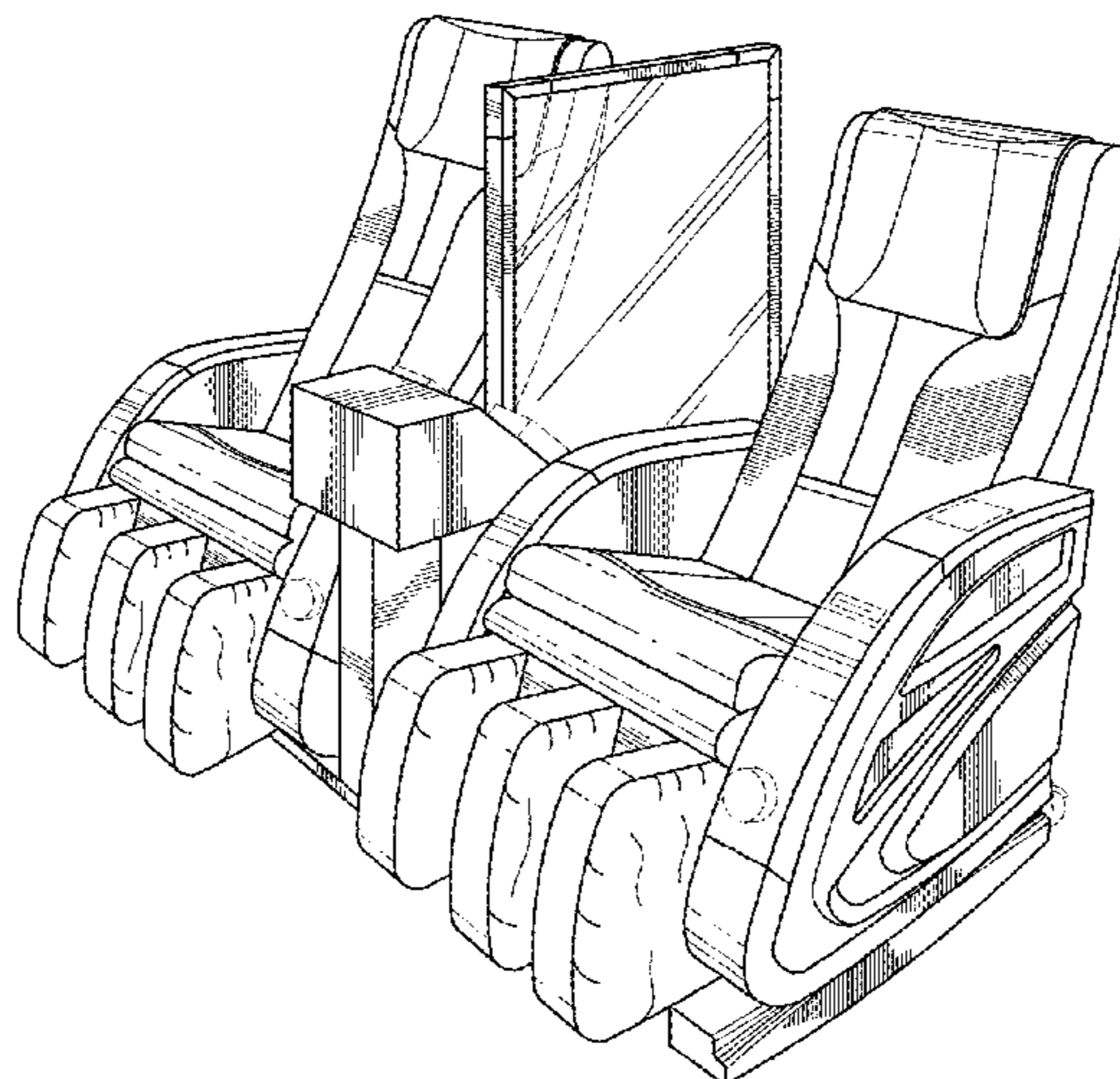
(57) **CLAIM**

The ornamental design for a massage chair with kiosk display and partition, as shown and described.

DESCRIPTION

FIG. 1 is a front right perspective view of a first embodiment of a massage chair with kiosk display and partition; FIG. 2 is a front view of the massage chair shown in FIG. 1; FIG. 3 is a rear view of the massage chair shown in FIG. 1; FIG. 4 is a left side view of the massage chair shown in FIG. 1; FIG. 5 is a right side view of the massage chair shown in FIG. 1; FIG. 6 is a top view of the massage chair shown in FIG. 1; and FIG. 7 is a bottom view of the massage chair shown in FIG. 1. FIG. 8 is a front right perspective view of a second embodiment of a massage chair with kiosk display and partition; FIG. 9 is a front view of the massage chair shown in FIG. 8; FIG. 10 is a rear view of the massage chair shown in FIG. 8; FIG. 11 is a left side view of the massage chair shown in FIG. 8; FIG. 12 is a right side view of the massage chair shown in FIG. 8; FIG. 13 is a top view of the massage chair shown in FIG. 8; and, FIG. 14 is a bottom view of the massage chair shown in FIG. 8. The stipple shading is used to indicate wood panels. The evenly spaced dash-dash broken lines shown in the drawings are for illustrating portions of the article that form no part of the claimed design.

1 Claim, 14 Drawing Sheets



(58) **Field of Classification Search**
 CPC A47C 1/02; A47C 1/0355; A47C 1/037;
 A47C 1/12; A47C 16/02; A47C 17/161;
 A47C 7/407; A47C 7/506; A47C 7/5068;
 A47C 7/52; A47C 7/566; A47C 7/68;
 A47C 7/624
 See application file for complete search history.

(56) **References Cited**

U.S. PATENT DOCUMENTS

D121,587 S * 7/1940 Duncan et al. D6/367
 D173,625 S * 12/1954 Maurer 297/83
 3,102,648 A 9/1963 Hughes et al.
 3,948,379 A 4/1976 Warner
 3,978,659 A 9/1976 Smith et al.
 3,978,959 A 9/1976 Muellner
 4,009,891 A 3/1977 Jensen
 4,381,870 A 5/1983 Muellner
 4,450,968 A 5/1984 Muellner
 4,538,719 A 9/1985 Gray et al.
 D289,578 S 4/1987 Ruffin
 D302,063 S 7/1989 Frazier et al.
 5,149,114 A 9/1992 Lewandowski et al.
 D331,135 S 11/1992 Lewandowski et al.
 5,526,916 A 6/1996 Amdahl et al.
 D372,800 S * 8/1996 Yamasaki D6/367
 D389,522 S 1/1998 Hesselbach et al.
 D396,918 S 8/1998 Golichowski et al.
 5,921,373 A 7/1999 Amdahl et al.
 D416,395 S * 11/1999 George D6/335
 6,024,203 A 2/2000 Amdahl et al.
 D424,575 S 5/2000 Wilson
 6,125,985 A 10/2000 Amdahl et al.
 6,142,283 A 11/2000 Amdahl et al.
 D438,182 S 2/2001 Wilson
 D439,752 S * 4/2001 Natuzzi D6/334
 D442,375 S * 5/2001 Stammberger D6/335
 6,250,451 B1 6/2001 Thirkill
 D447,350 S * 9/2001 Carlson D6/335
 D447,639 S * 9/2001 Carlson D6/335
 D448,580 S * 10/2001 Carlson D6/336
 D452,711 S 1/2002 White et al.
 6,381,744 B2 4/2002 Nanos et al.
 D462,183 S * 9/2002 Canto Garcia D6/335
 D462,533 S * 9/2002 Popham D6/381
 D462,845 S * 9/2002 Canto Garcia D6/335
 D464,816 S * 10/2002 Leib D6/335
 D470,895 S 2/2003 Cole
 D477,037 S 7/2003 O'Connor
 D505,765 S 5/2005 Swaine et al.
 D505,948 S 6/2005 Vrachan et al.
 D531,375 S 10/2006 Lauer et al.
 D532,984 S * 12/2006 Bernett D6/367
 D541,064 S * 4/2007 Miller D6/367
 D547,087 S * 7/2007 Natuzzi D6/381
 D566,702 S 4/2008 Malone et al.
 D580,665 S * 11/2008 Aoki D6/335
 D590,387 S 4/2009 Chen
 D590,449 S 4/2009 Ishii et al.
 D607,948 S 1/2010 de Viveiros Ortiz
 D611,047 S 3/2010 Smith et al.
 7,748,511 B1 7/2010 Maher
 7,766,293 B2 * 8/2010 Seidl A47C 7/72
 248/311.2
 7,794,014 B2 9/2010 Beall et al.
 D626,544 S 11/2010 Bleck et al.
 D658,721 S 5/2012 Yang
 D661,293 S 6/2012 Kuroda et al.
 8,272,491 B2 9/2012 Khairallah et al.
 D674,020 S 1/2013 Hecht et al.
 8,613,385 B1 12/2013 Hulet et al.
 D708,676 S 7/2014 Ballman et al.
 D709,264 S 7/2014 Lee et al.
 D716,792 S 11/2014 Raymonde Looze
 D723,538 S 3/2015 Catoe et al.
 D724,290 S 3/2015 Cha et al.

D727,307 S 4/2015 Kraft et al.
 D734,735 S 7/2015 Tooker et al.
 D749,290 S 2/2016 Pollmann
 D752,573 S 3/2016 Ballman et al.
 D756,064 S 5/2016 Budde et al.
 9,418,345 B1 8/2016 Meehan et al.
 9,471,918 B1 10/2016 Krampe et al.
 D782,465 S 3/2017 Chen et al.
 D808,380 S 1/2018 Dillon et al.
 D809,068 S 1/2018 Ballman et al.
 D809,069 S 1/2018 Ballman et al.
 9,904,917 B2 2/2018 Ruggiero et al.
 D828,348 S 9/2018 Lee et al.
 D841,643 S 2/2019 Dillon et al.
 D843,366 S 3/2019 Koltsov
 D851,953 S * 6/2019 Shen D6/367
 D871,498 S 12/2019 Kim
 D872,414 S 1/2020 Naganawa et al.
 D896,219 S 9/2020 Ruggiero et al.
 D900,088 S 10/2020 Aughney et al.
 D902,197 S 11/2020 Cloak
 D917,185 S * 4/2021 Reid D6/334
 11,147,384 B1 * 10/2021 Lopez Ramirez A47C 1/12
 11,219,315 B1 * 1/2022 Marshall A47C 7/624
 2001/0004679 A1 * 6/2001 Ichikawa A61H 7/001
 601/148
 2005/0033204 A1 * 2/2005 Nakamura A61H 23/04
 601/103
 2005/0101891 A1 5/2005 Dehli
 2006/0103194 A1 5/2006 Thalheimer
 2006/0217643 A1 * 9/2006 Yonekawa A61H 9/0078
 601/151
 2007/0040652 A1 2/2007 Quatro
 2007/0205277 A1 9/2007 Tashiro
 2007/0222261 A1 * 9/2007 True A47C 3/16
 297/188.1
 2008/0072509 A1 3/2008 Eberhardt
 2008/0185888 A1 8/2008 Beall et al.
 2009/0152915 A1 * 6/2009 Krasna A47C 7/624
 297/217.3
 2009/0266673 A1 10/2009 Dallaire et al.
 2011/0011930 A1 1/2011 Starr et al.
 2011/0052357 A1 3/2011 Torrison
 2011/0307394 A1 12/2011 Rzepecki
 2012/0280789 A1 11/2012 Gerhardt et al.
 2012/0310425 A1 12/2012 Kang
 2013/0030998 A1 1/2013 Colley et al.
 2013/0046197 A1 2/2013 Dlugos, Jr. et al.
 2014/0266594 A1 9/2014 Reiser
 2015/0057837 A1 2/2015 Moore, Jr.
 2015/0356801 A1 12/2015 Nitu et al.
 2017/0015376 A1 1/2017 Belman
 2019/0088055 A1 3/2019 Homad

FOREIGN PATENT DOCUMENTS

CN 203318207 U 12/2013
 CN 105701656 A 6/2016
 DE 202004017141 U1 1/2005
 ES 2401012 A1 4/2013
 JP 2000264213 A 9/2000
 JP 2017049777 3/2017
 JP 2019051840 A 4/2019
 KR 101197587 B1 11/2012
 WO 2013/045728 4/2013

OTHER PUBLICATIONS

“The Charger Chair”, Mar. 17, 2014, <<http://www.personal.psu.edu/cjz5033/charger%20chair%20concept.html>>.
 Mitchell et al. “Wheelchairs: What life care planners should know.”
 Inn: Journal of Life Care Planning. 2005 Retrieved on Feb. 29, 2020
 from <<http://www.figeduction.com/nlcp/resources/section-1/Wheelchairs%20what%20LCP%20Should%20know.pdf>>.

(56)

References Cited

OTHER PUBLICATIONS

Extended European Search Report issued in European Patent Application No. 20740932 dated Dec. 21, 2021.

* cited by examiner

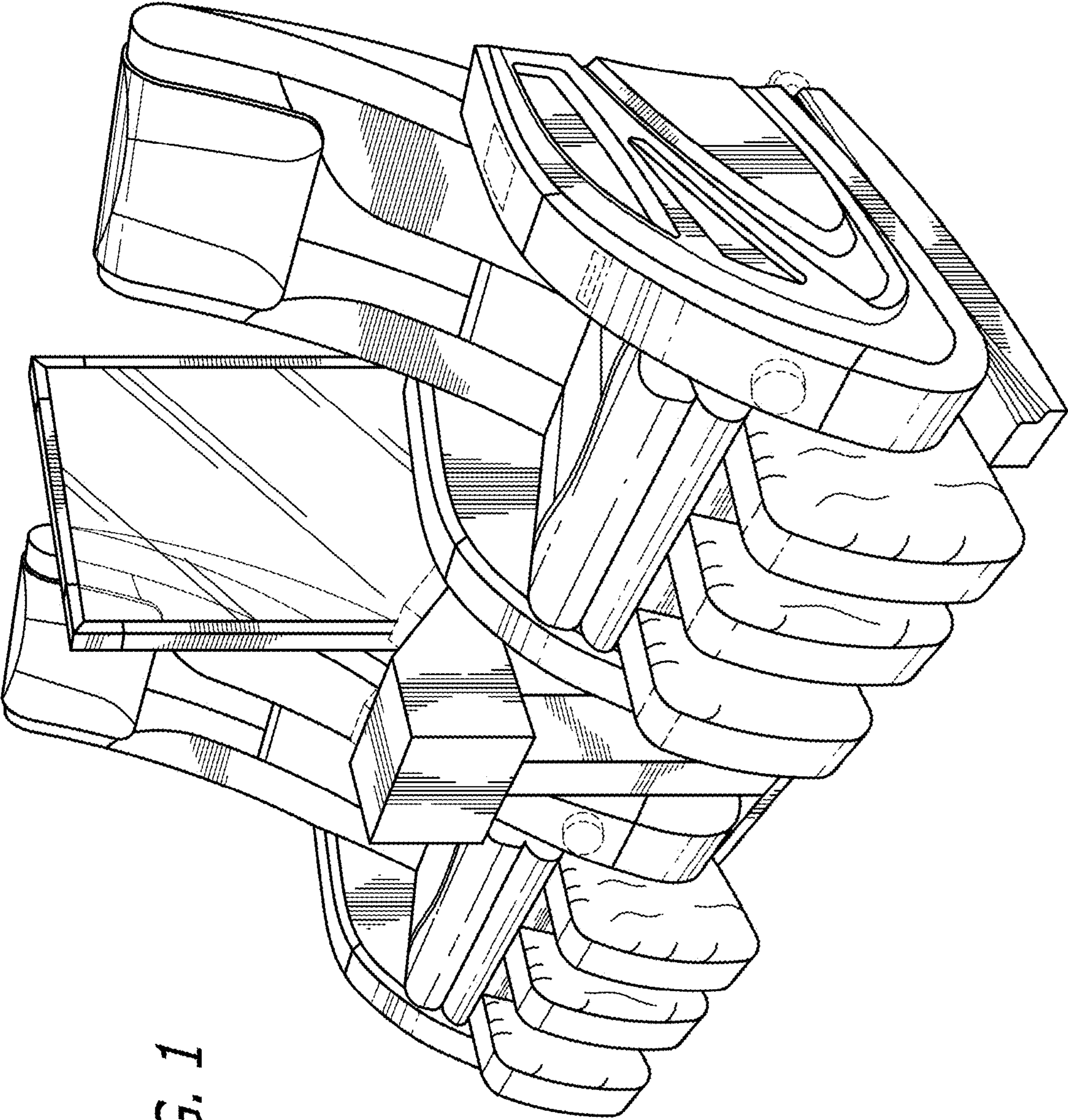


FIG. 1

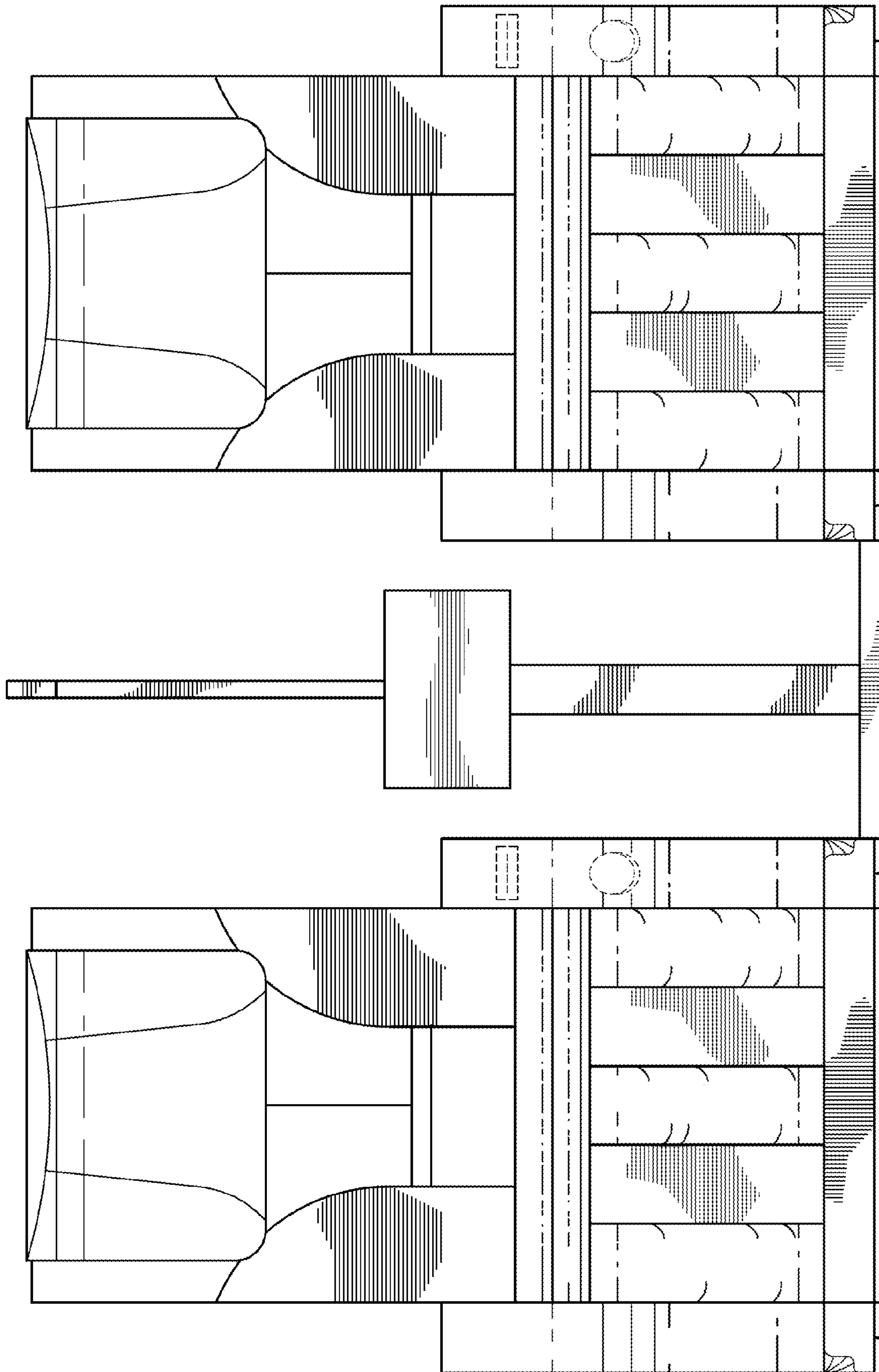


FIG. 2

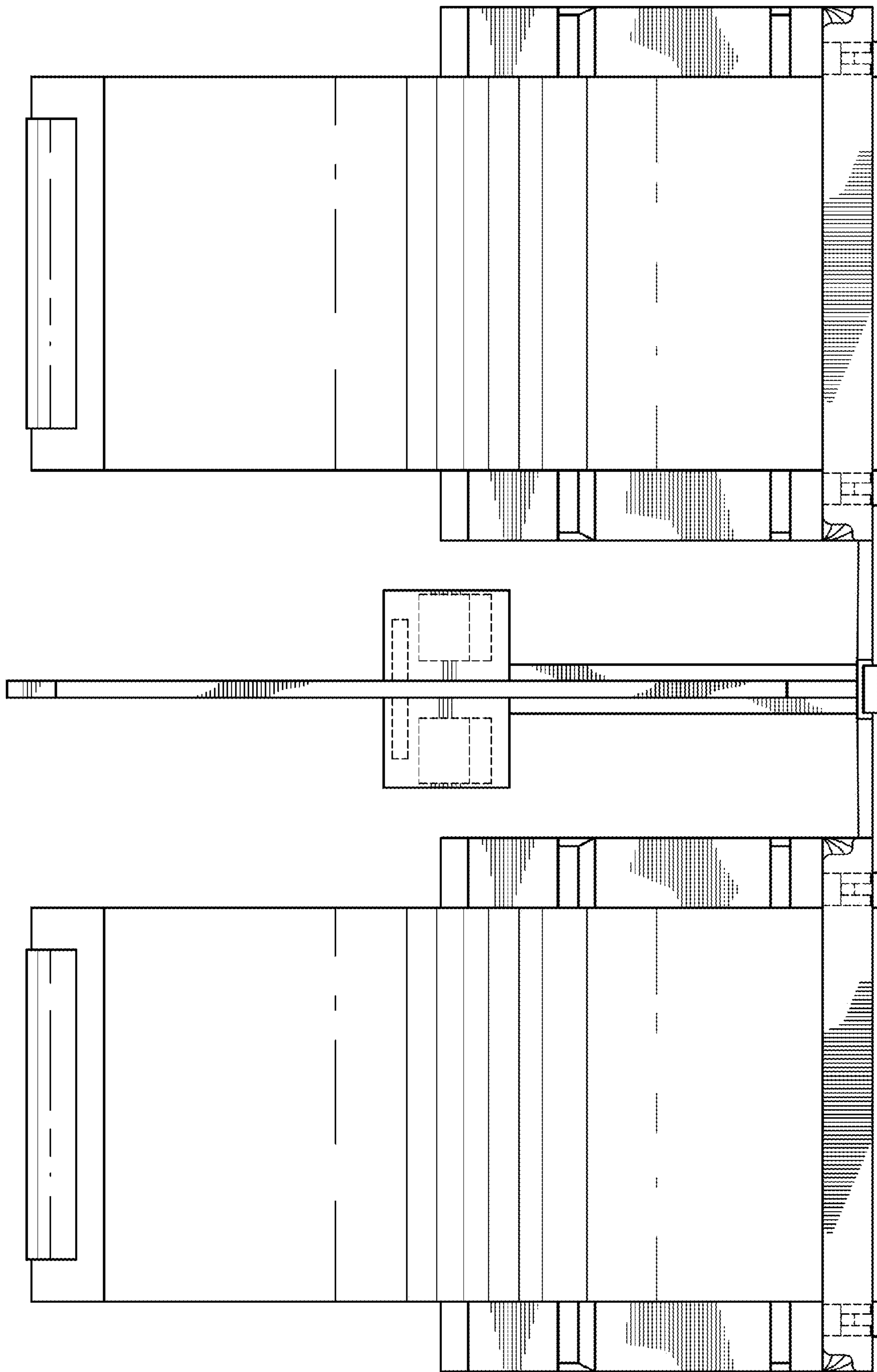
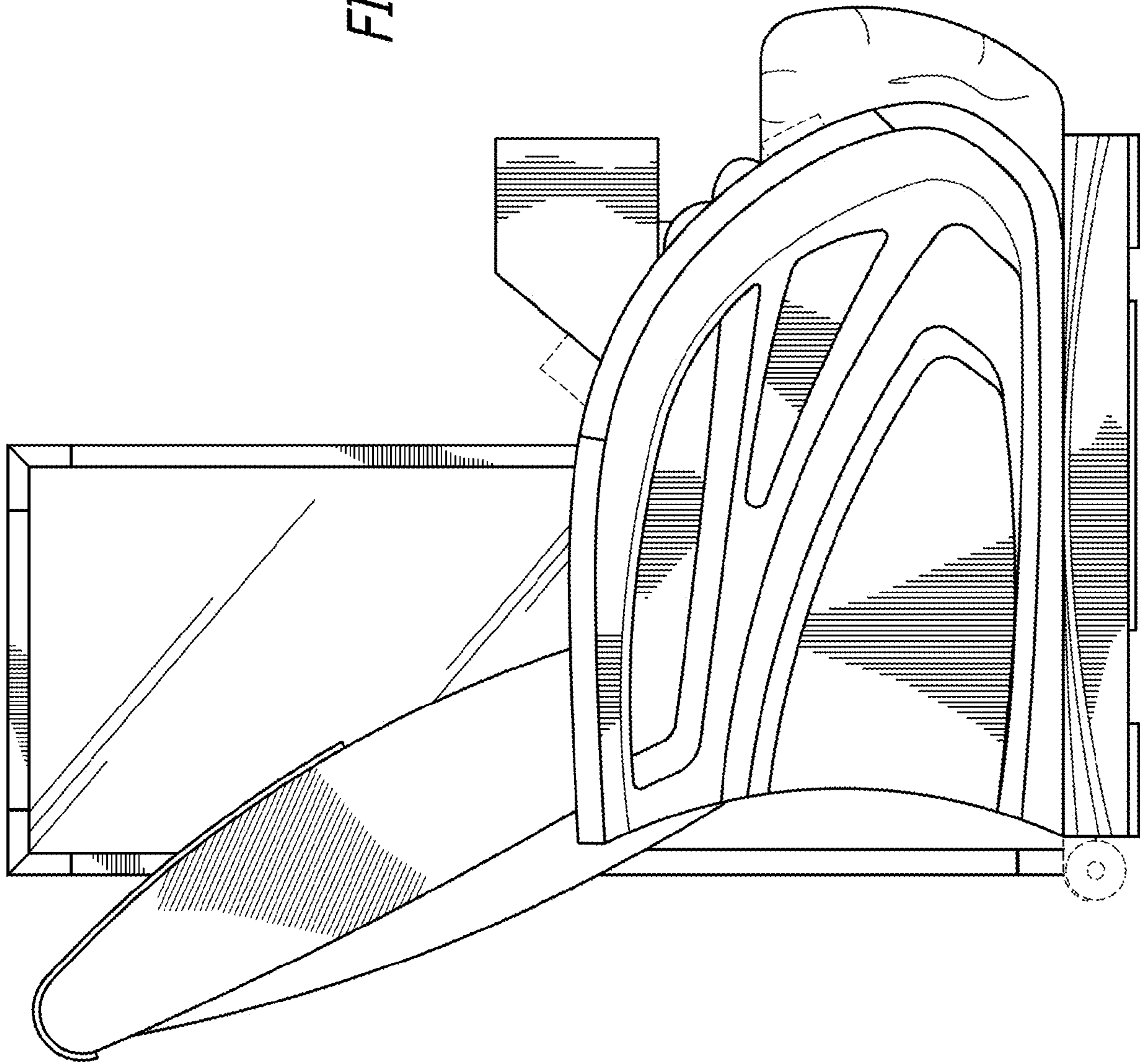


FIG. 3

FIG. 4



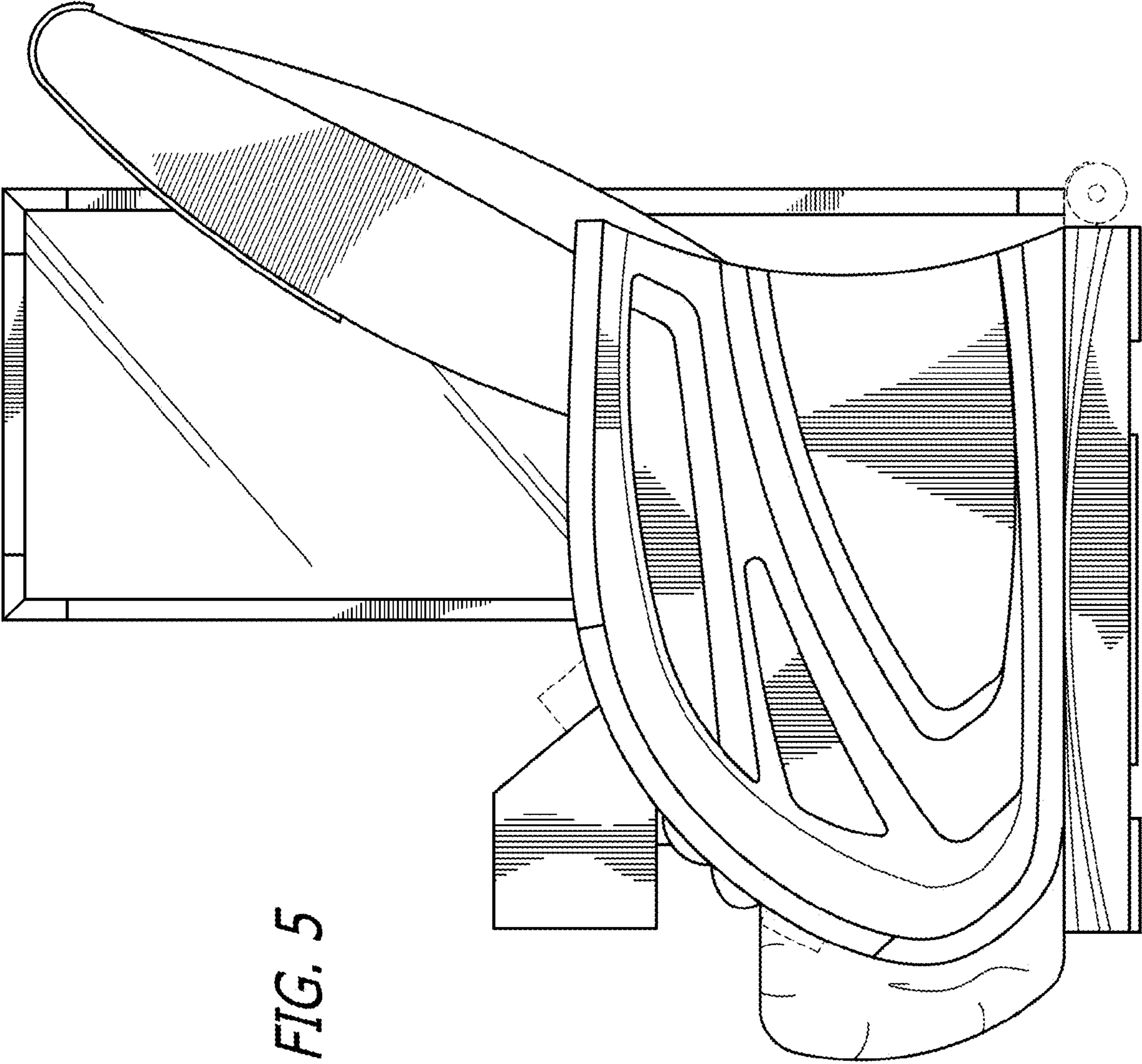


FIG. 5

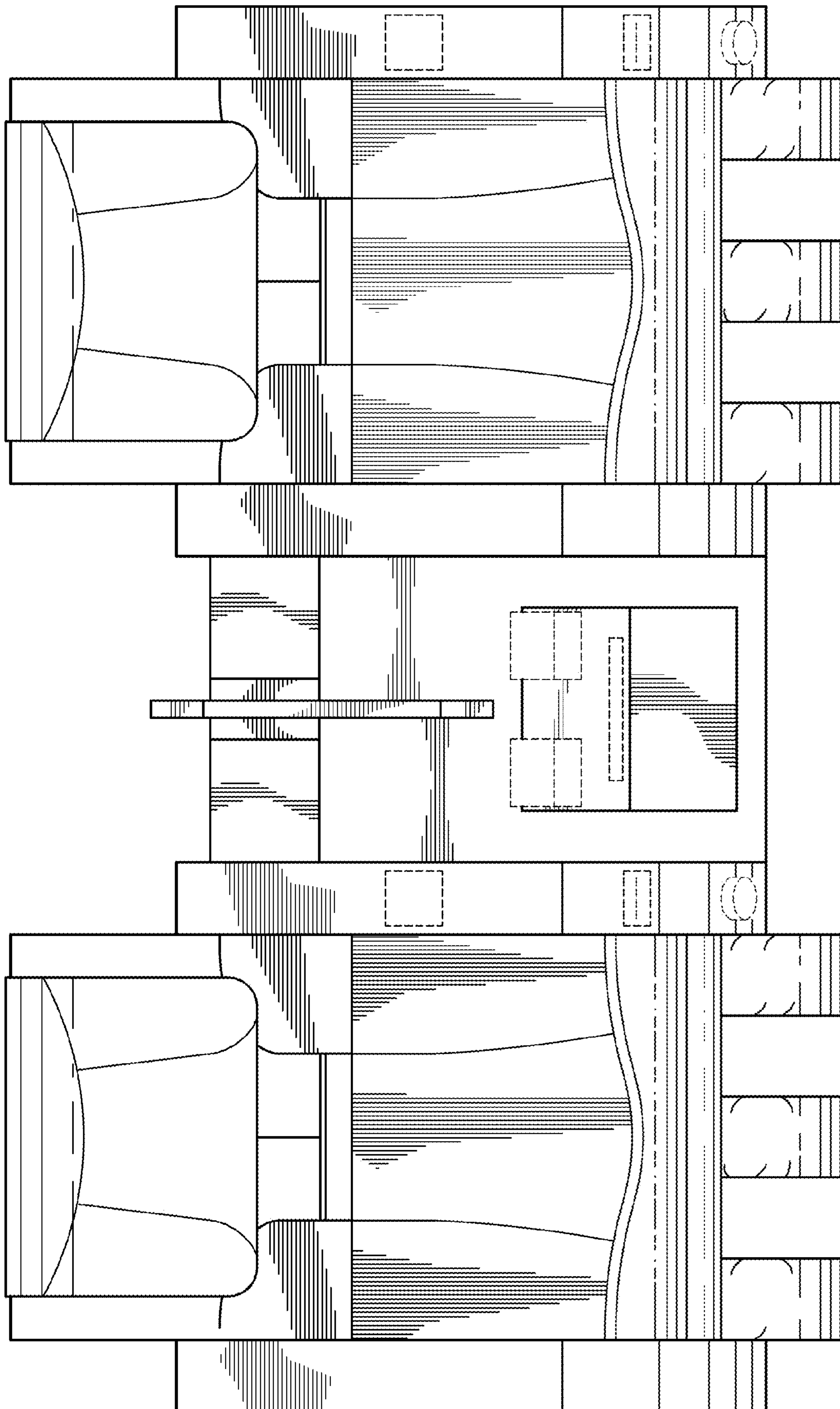


FIG. 6

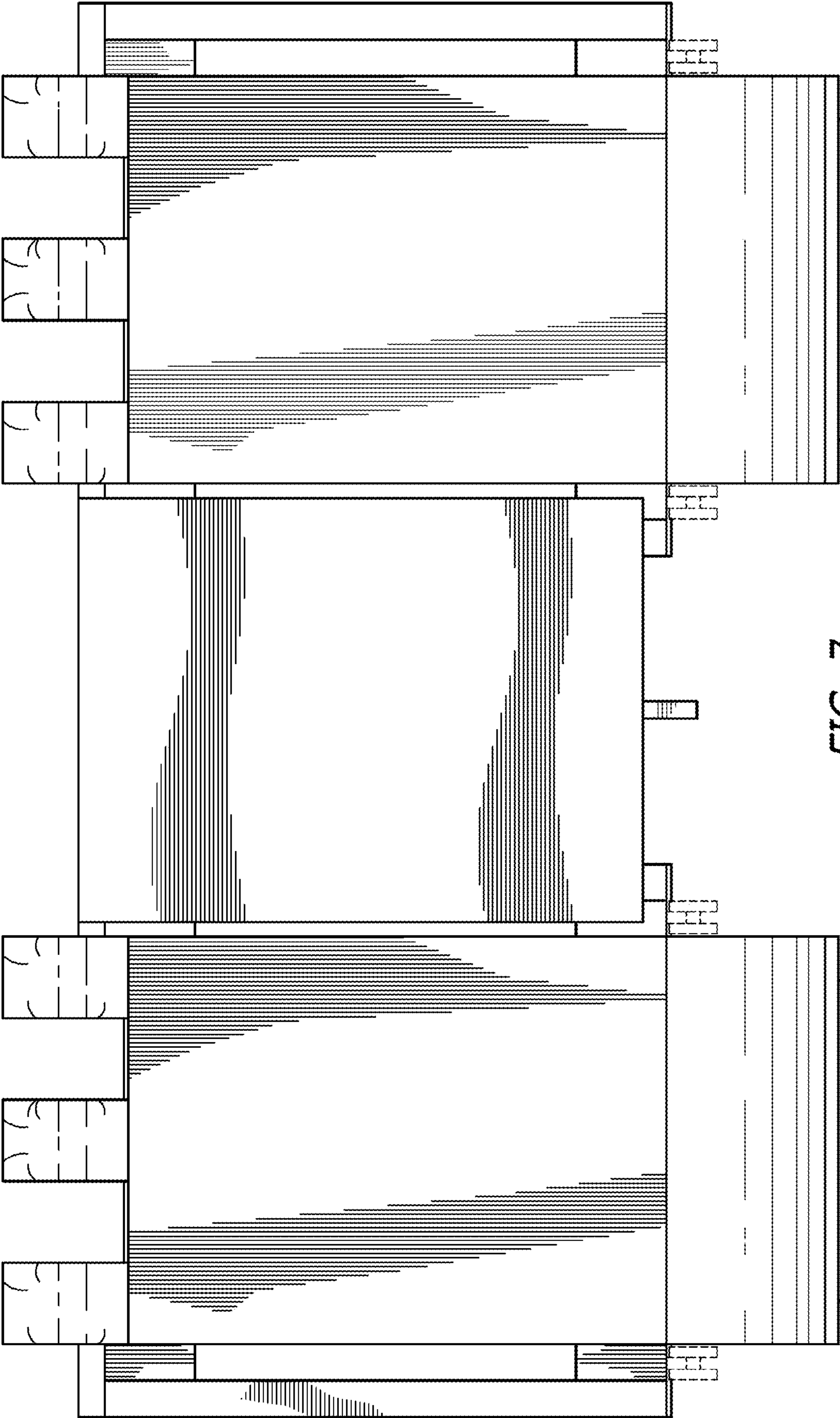


FIG. 7

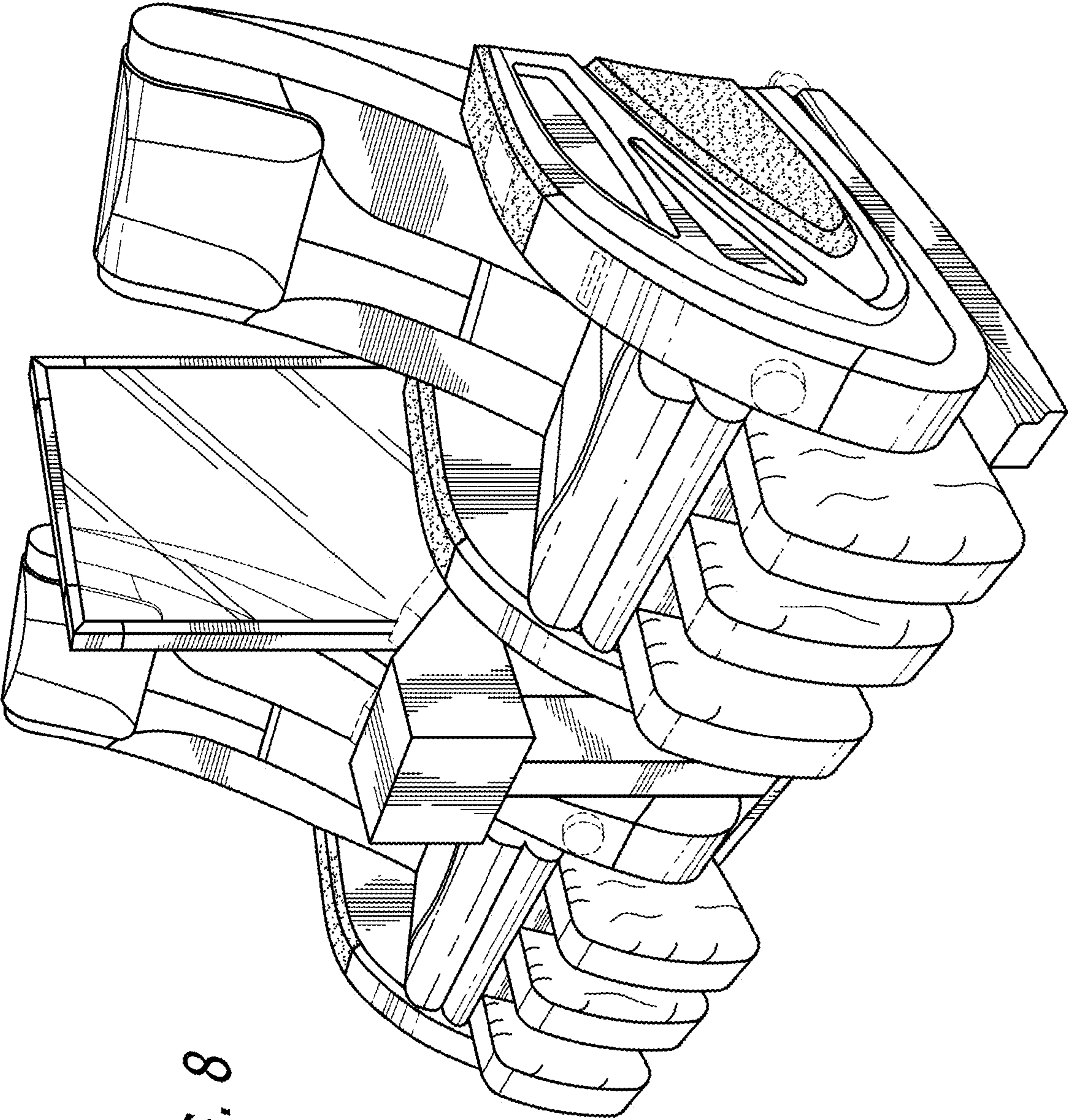


FIG. 8

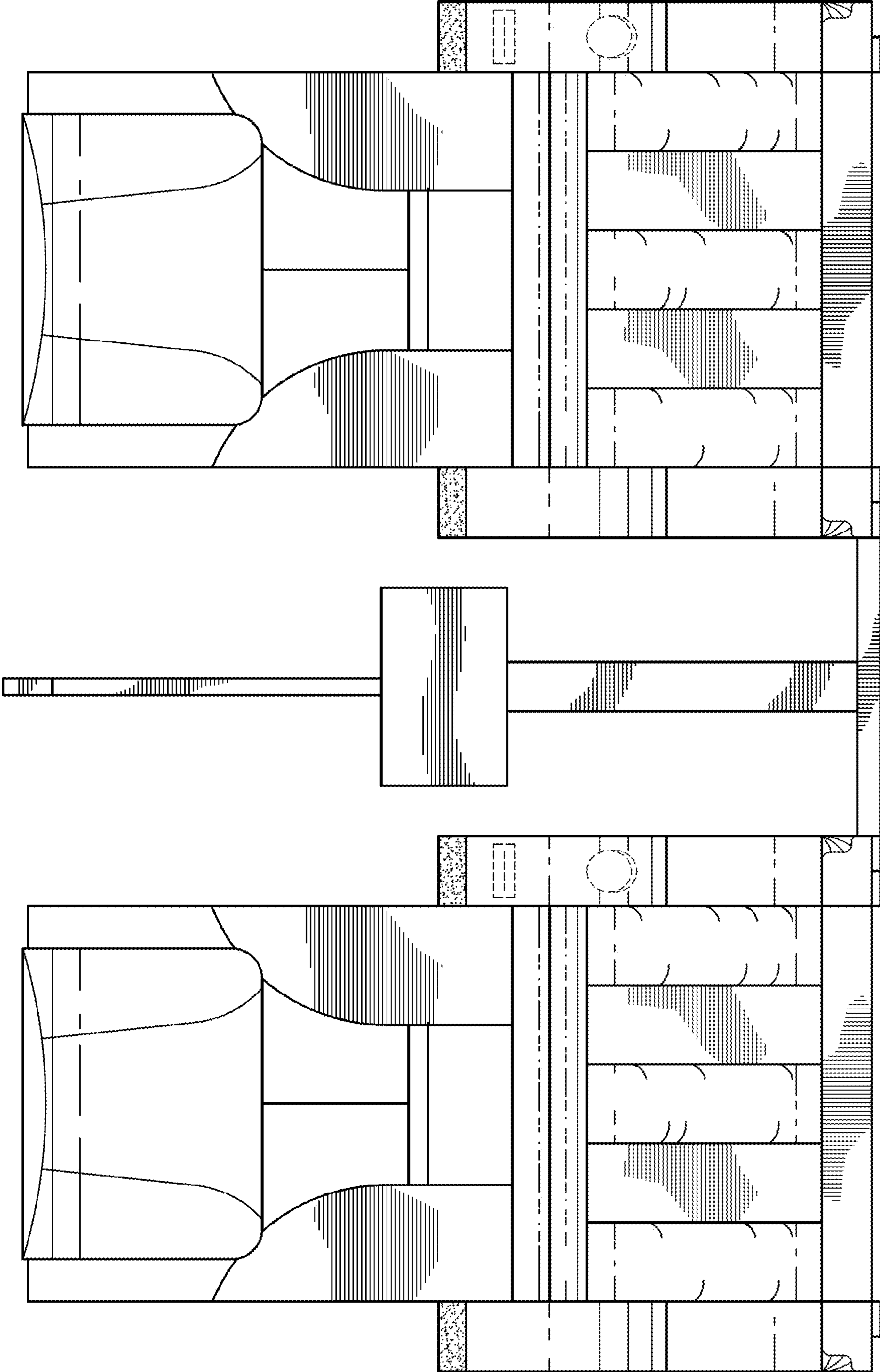


FIG. 9

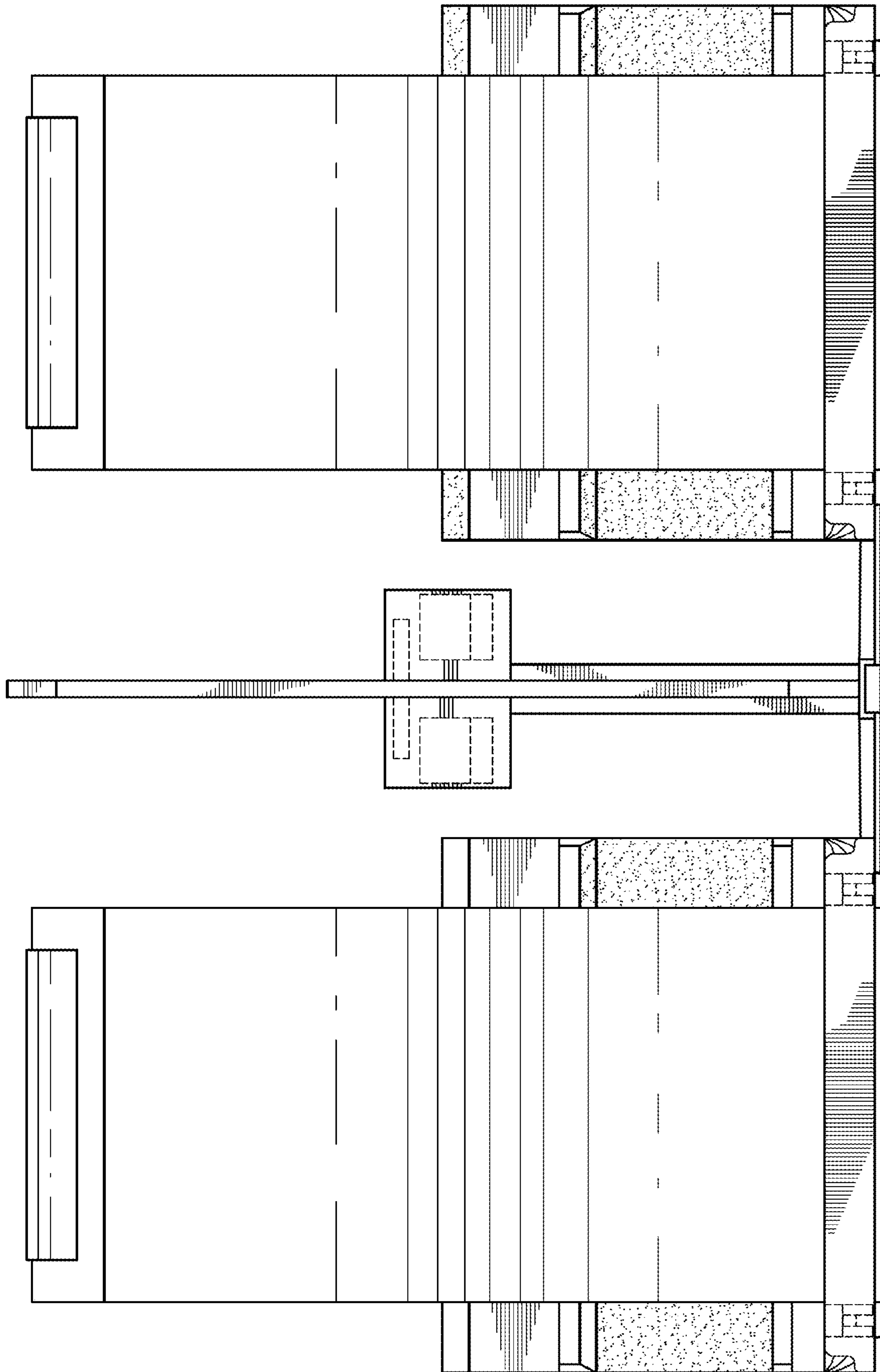
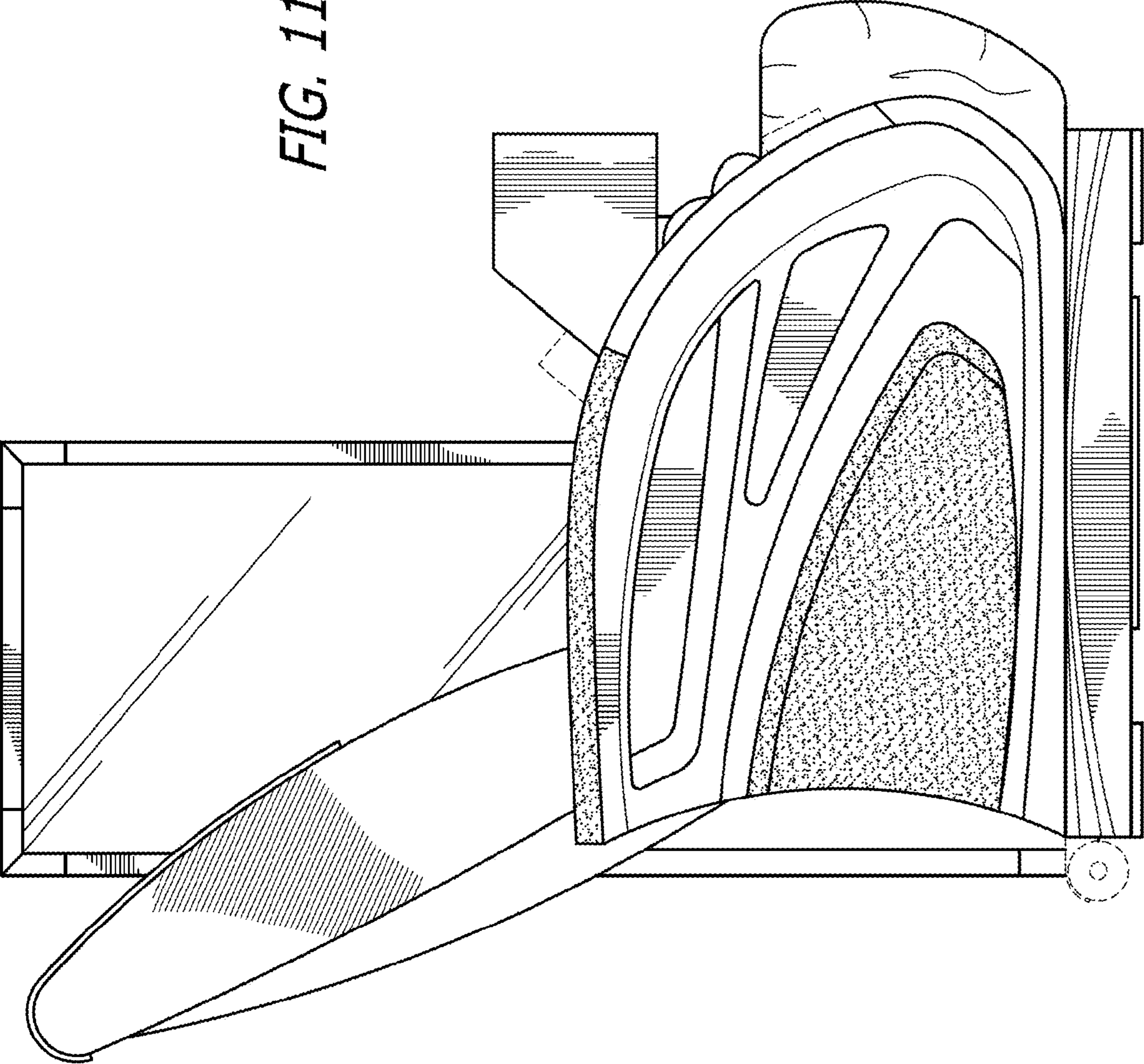


FIG. 10

FIG. 11



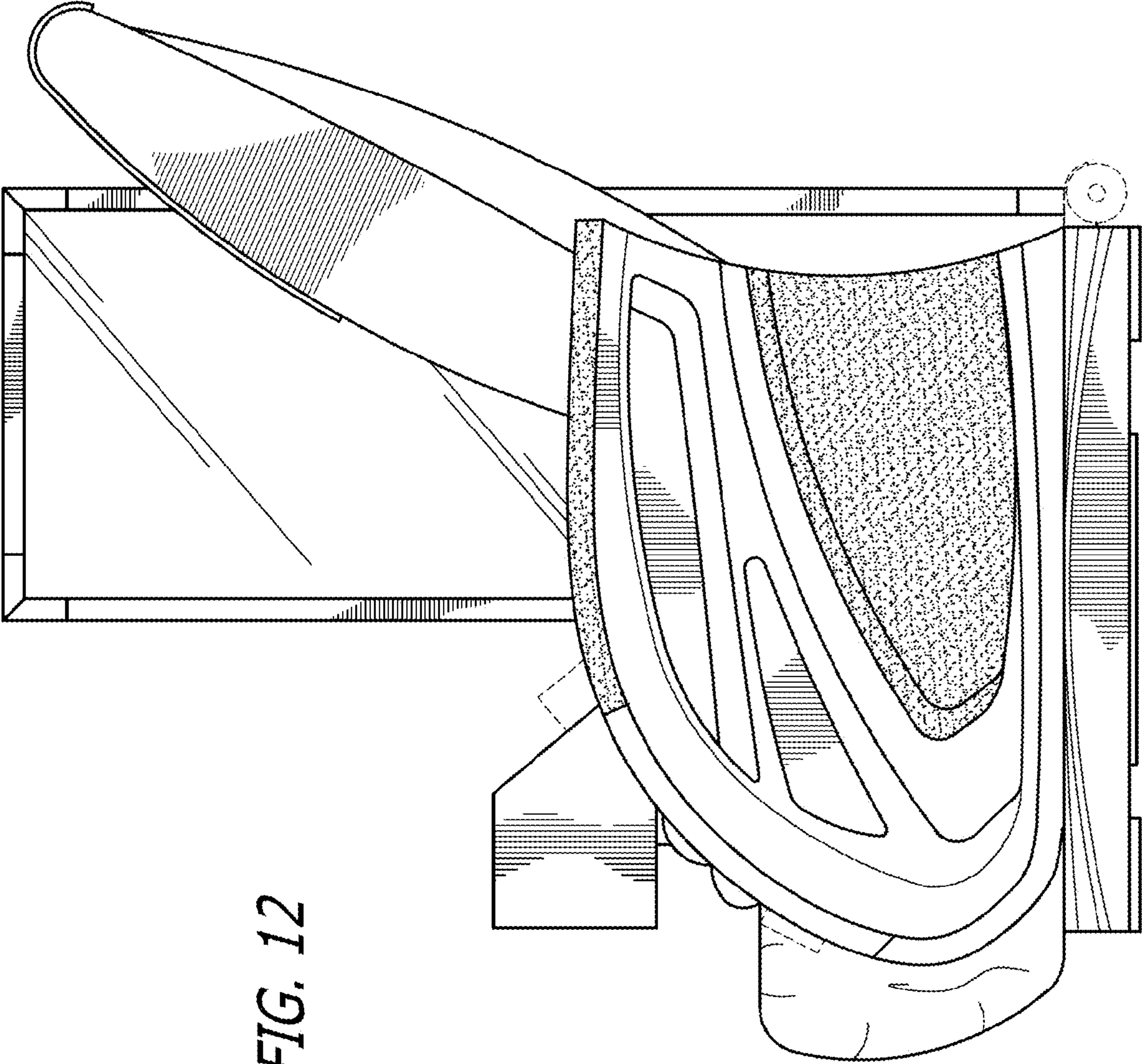


FIG. 12

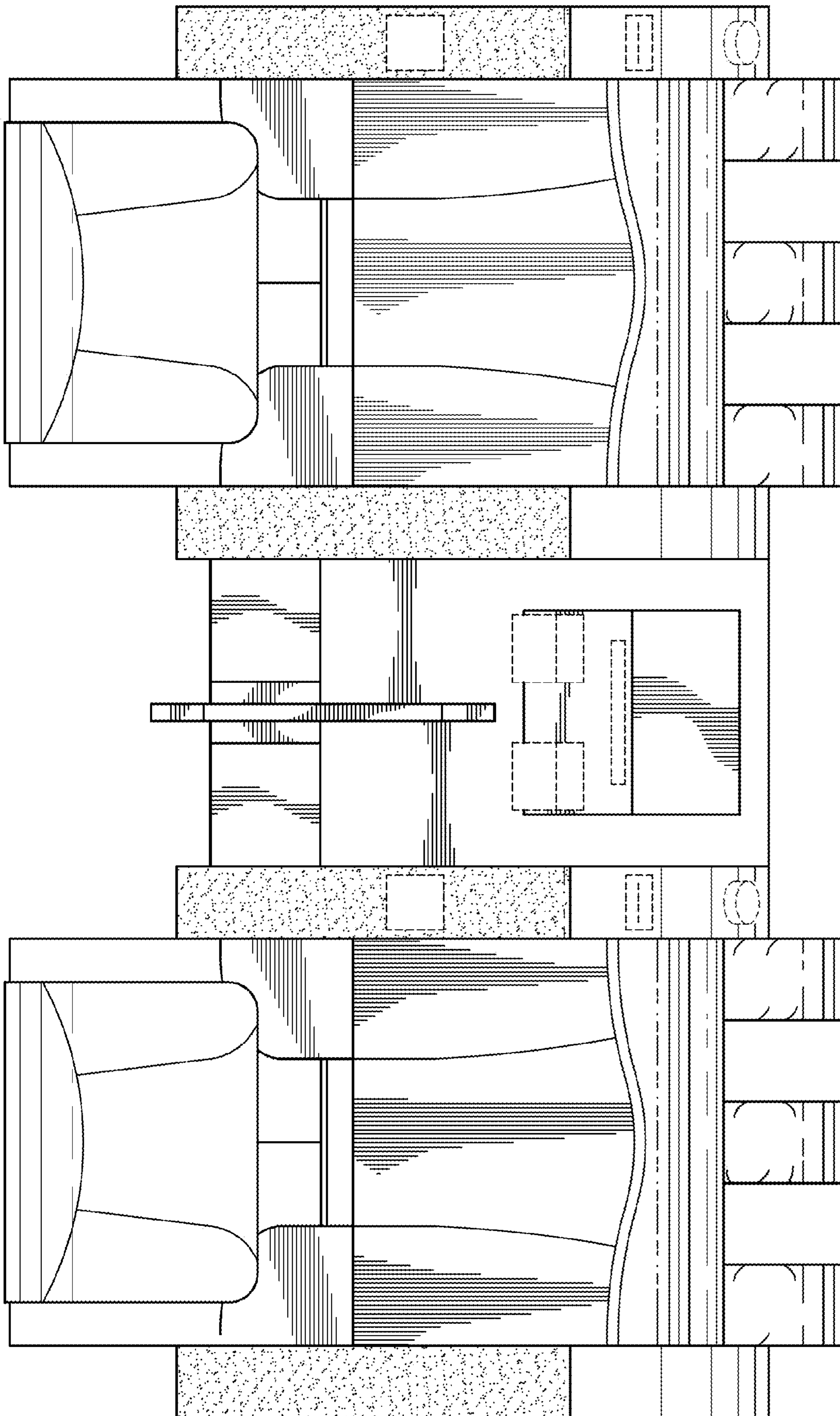


FIG. 13

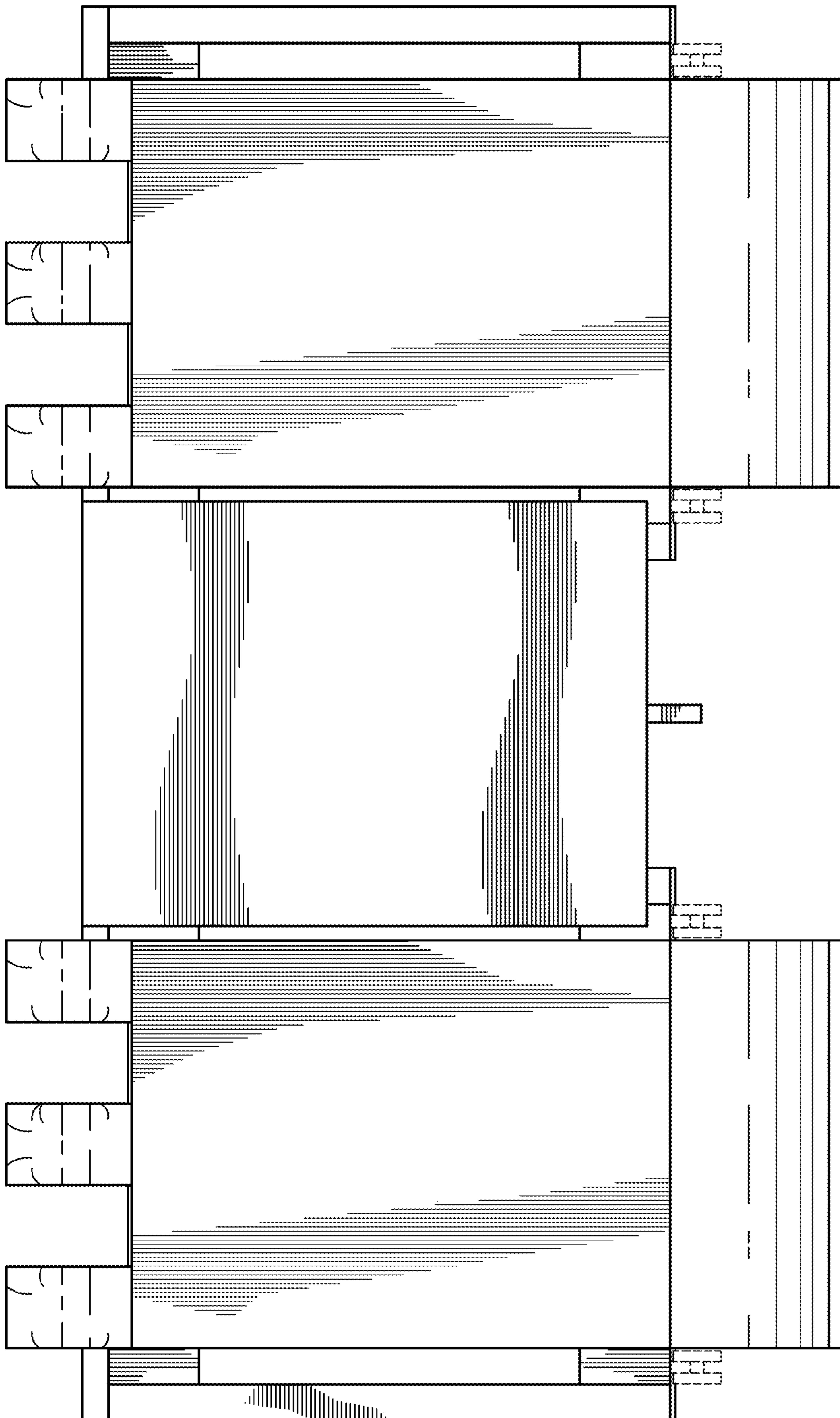


FIG. 14