



US00D979269S

(12) **United States Design Patent** (10) **Patent No.:** **US D979,269 S**
Chen (45) **Date of Patent:** **** Feb. 28, 2023**

(54) **OFFICE CHAIR**
(71) Applicant: **Linwei Chen**, Jiaxing (CN)
(72) Inventor: **Linwei Chen**, Jiaxing (CN)
(**) Term: **15 Years**
(21) Appl. No.: **29/853,958**
(22) Filed: **Sep. 21, 2022**
(51) **LOC (14) Cl.** **06-01**
(52) **U.S. Cl.**
USPC **D6/366**
(58) **Field of Classification Search**
USPC D6/369, 375, 377, 379, 380, 716.4, 332,
D6/334, 335, 364, 358, 363, 371, 643,
D6/643.1, 644, 366, 374, 716; D12/345;
D25/138
CPC A47B 91/04; A47C 1/143; A47C 3/00;
A47C 3/023; A47C 3/12; A47C 4/02;
A47C 5/12; A47C 7/002; A47C 7/46;
A47C 7/66; A47C 9/005; A47C 9/025;
Y10S 297/02
See application file for complete search history.

D920,697 S 6/2021 Li
D924,589 S 7/2021 Li
D924,592 S * 7/2021 Li D6/366
D924,593 S 7/2021 Chen
D938,172 S 12/2021 Li
D938,180 S * 12/2021 Li D6/369
D938,182 S * 12/2021 Li D6/369
D938,746 S 12/2021 Grcic
D948,226 S 4/2022 Garn
D948,230 S 4/2022 Du
D965,323 S * 10/2022 Chen D6/369
D965,324 S * 10/2022 Chen D6/369
D965,325 S * 10/2022 Chen D6/369

* cited by examiner

Primary Examiner — Kevin K Rudzinski
Assistant Examiner — Paul D Bohannon
(74) *Attorney, Agent, or Firm* — Rumit Ranjit Kanakia

(57) **CLAIM**

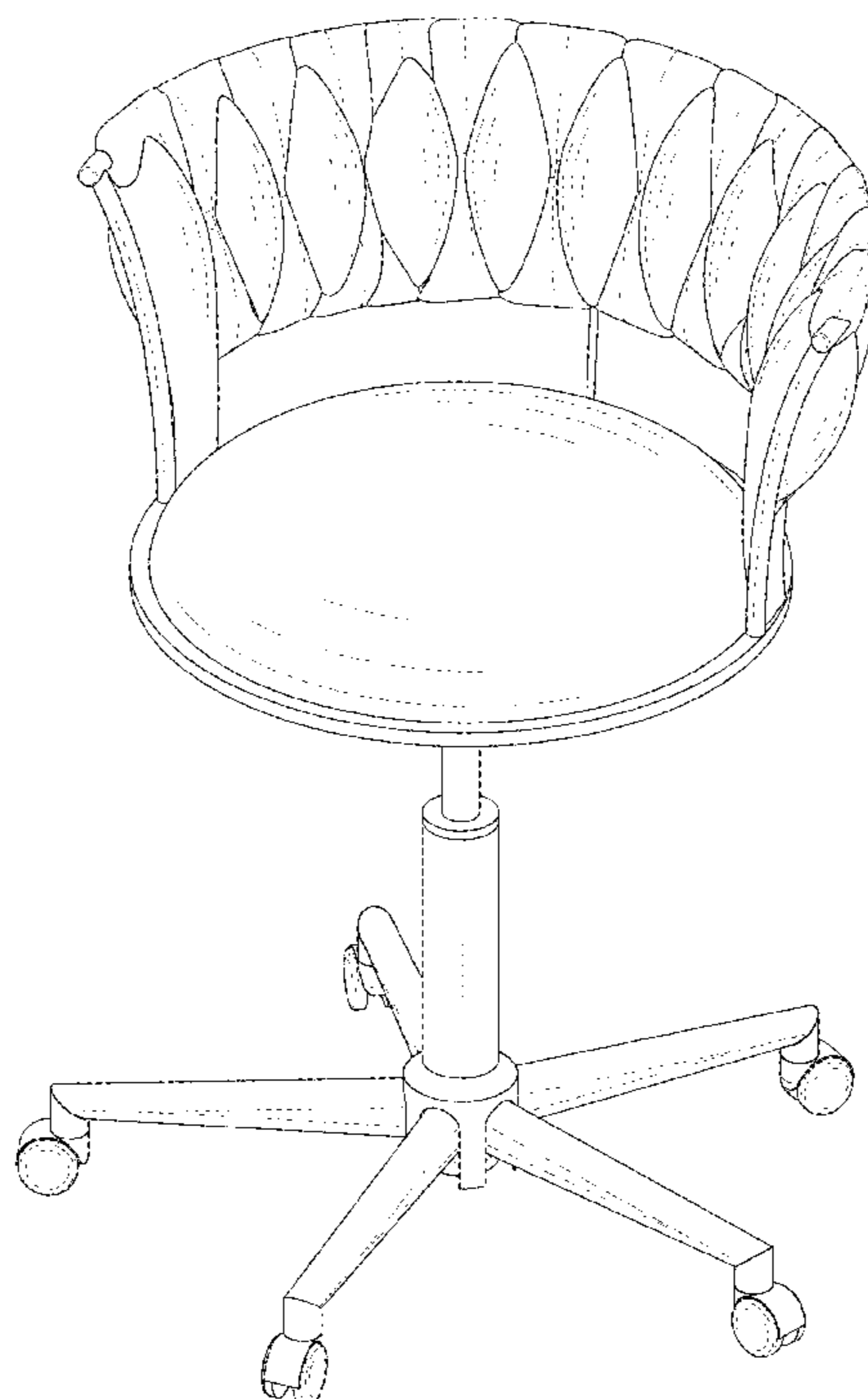
The ornamental design for a office chair, as shown and described.

DESCRIPTION

FIG. 1 is a perspective view of an office chair, showing my new design;
FIG. 2 is another perspective view thereof;
FIG. 3 is a front elevational view thereof;
FIG. 4 is a rear elevational view thereof;
FIG. 5 is a left side view thereof;
FIG. 6 is a right side view thereof;
FIG. 7 is a top plan view thereof;
FIG. 8 is a bottom plan view thereof; and,
FIG. 9 is a partial enlarged view of FIG. 2.

1 Claim, 9 Drawing Sheets

(56) **References Cited**
U.S. PATENT DOCUMENTS
D261,078 S * 10/1981 Wilson D6/366
D720,149 S * 12/2014 Armani D6/369
D761,582 S * 7/2016 Armani D6/369
D780,471 S * 3/2017 Weng D6/369
D907,385 S * 1/2021 Li D6/366
D910,327 S 2/2021 Xu
D911,056 S 2/2021 Altherr
D913,007 S 3/2021 Shen



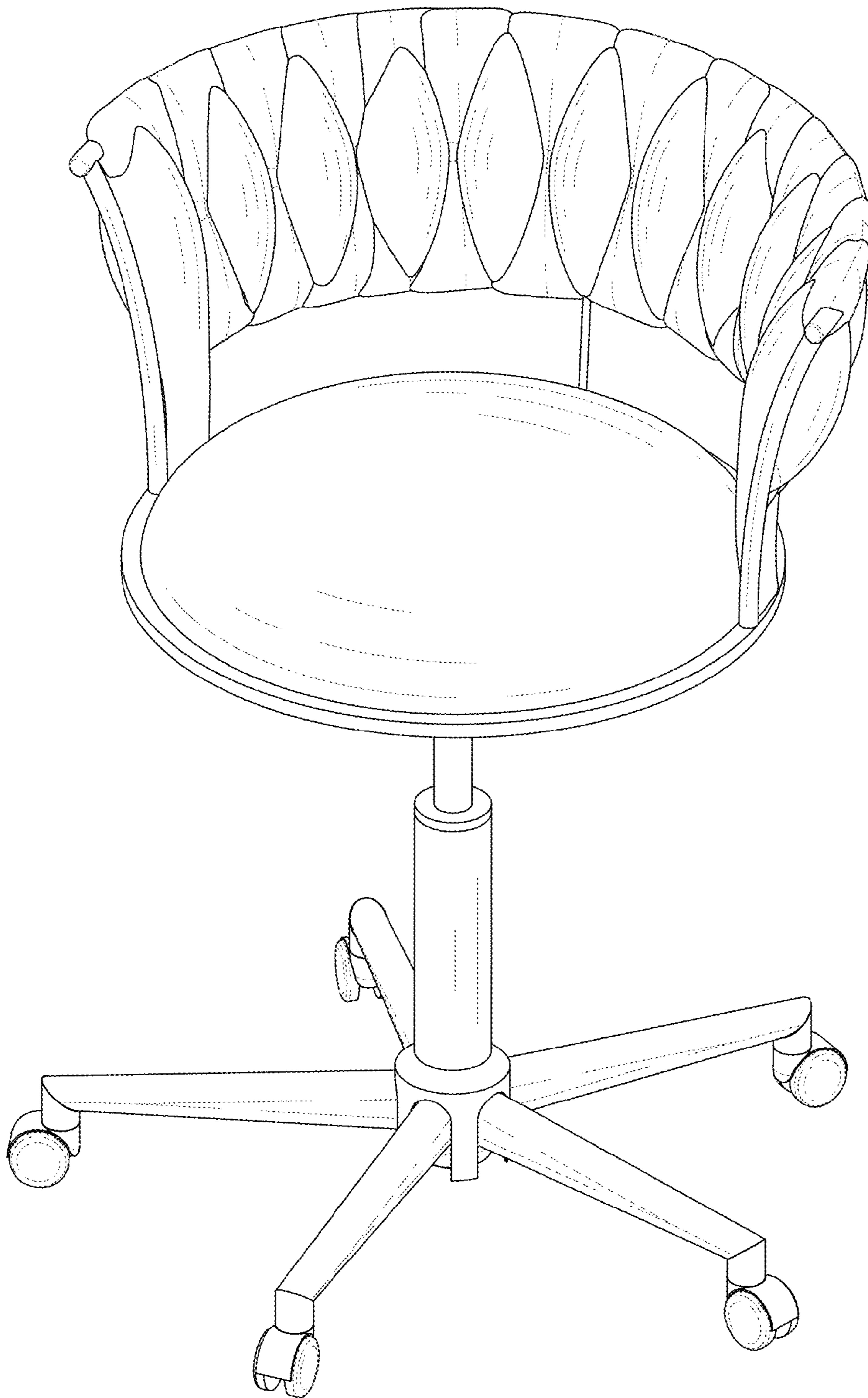


FIG. 1

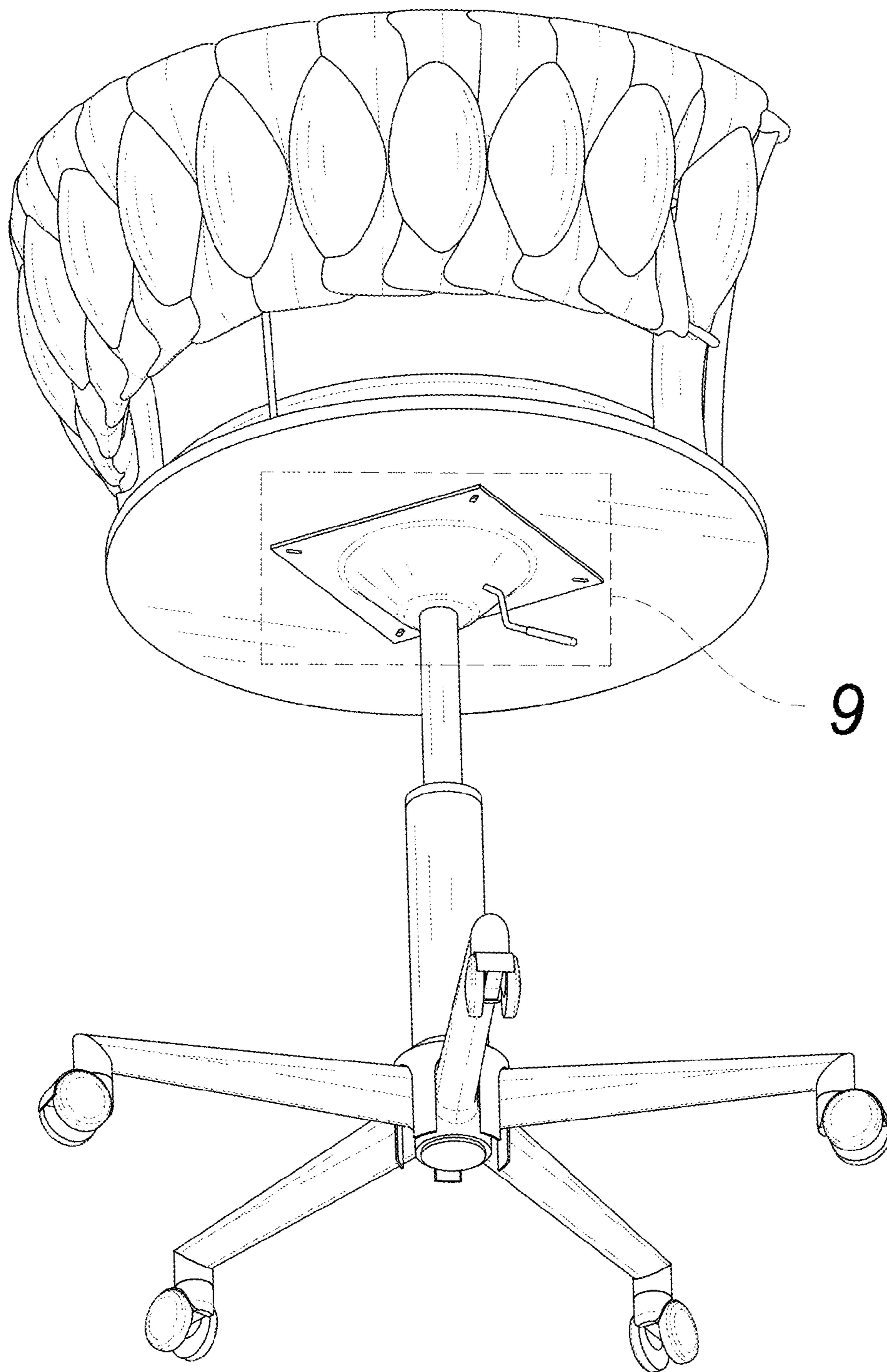


FIG. 2

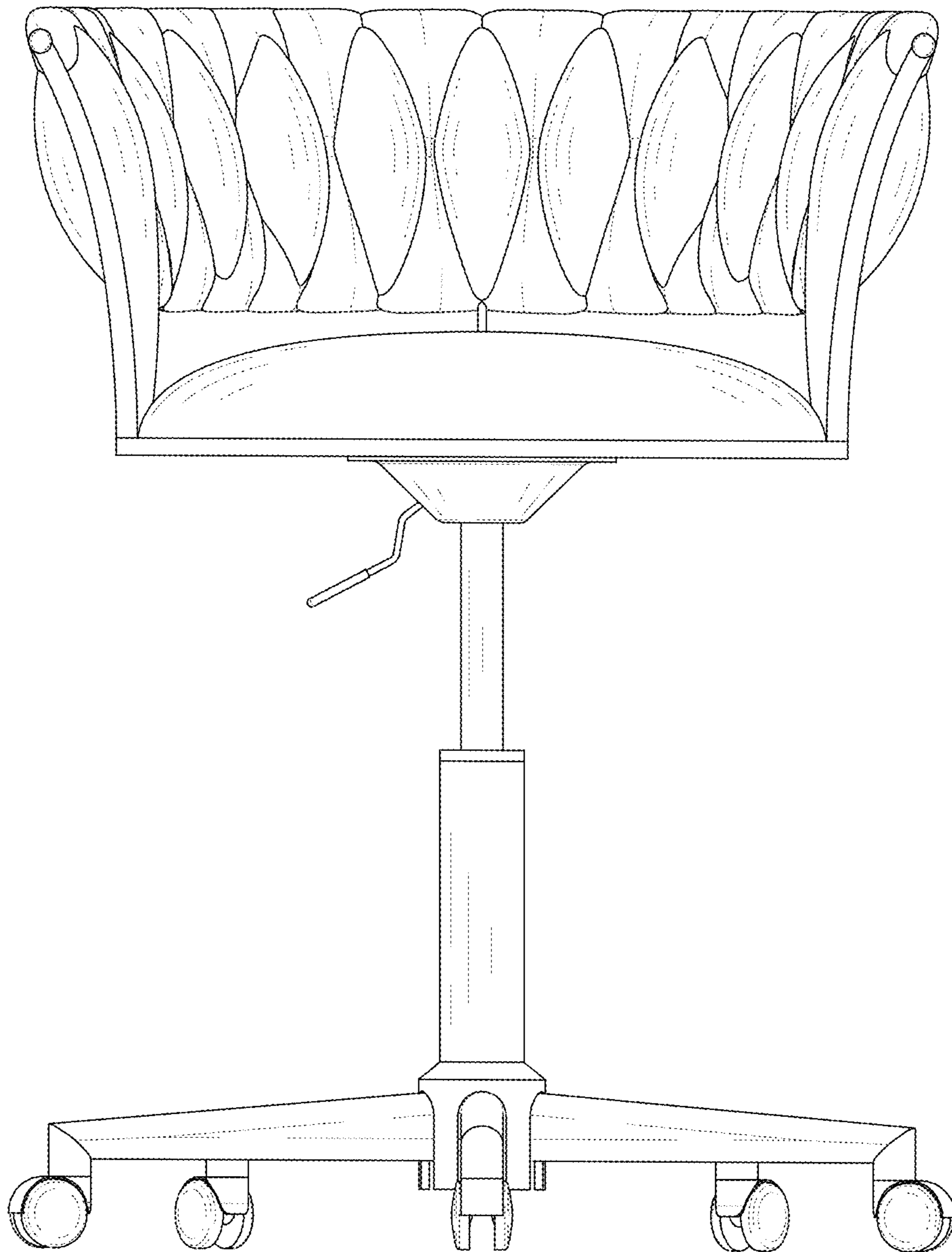


FIG. 3

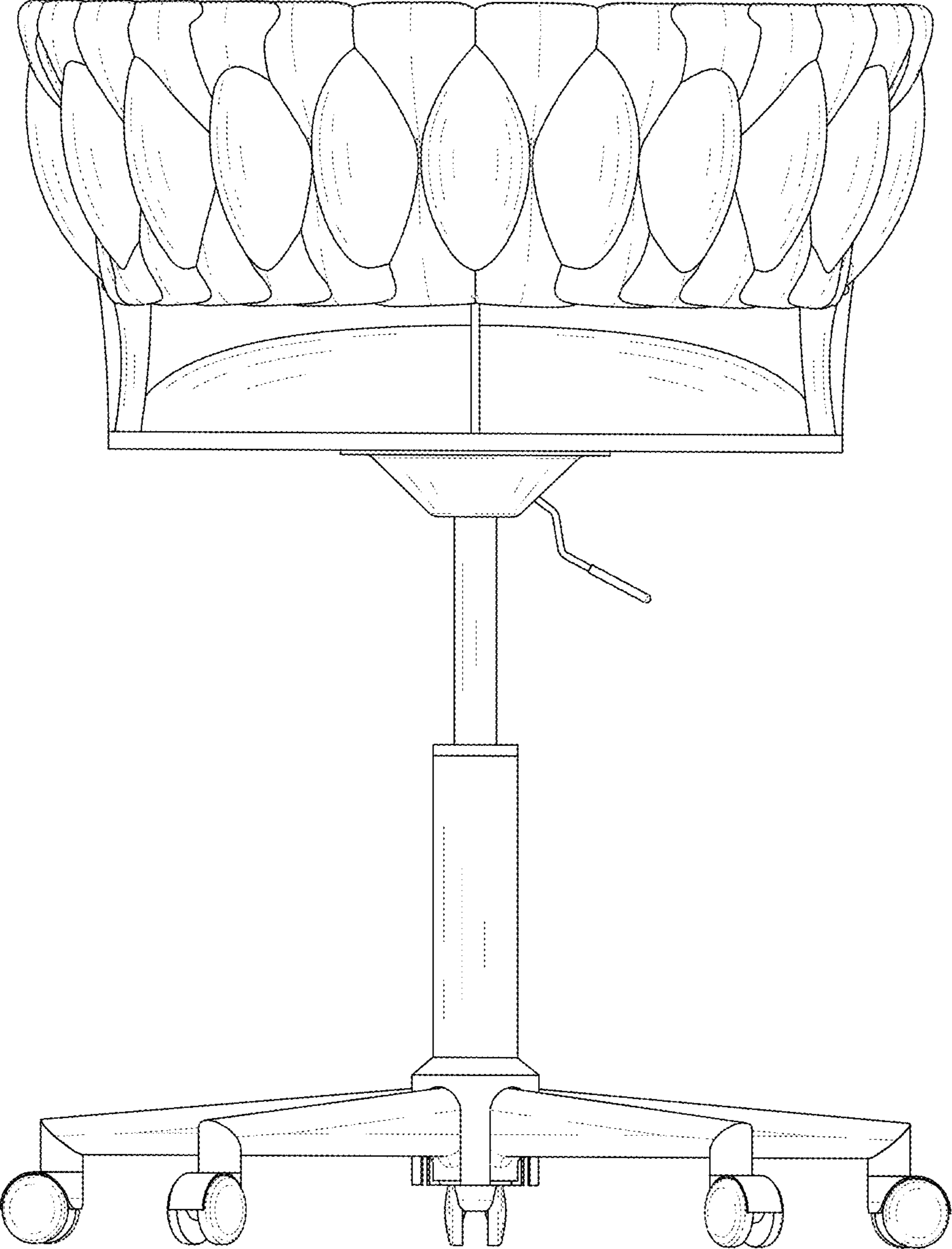


FIG. 4

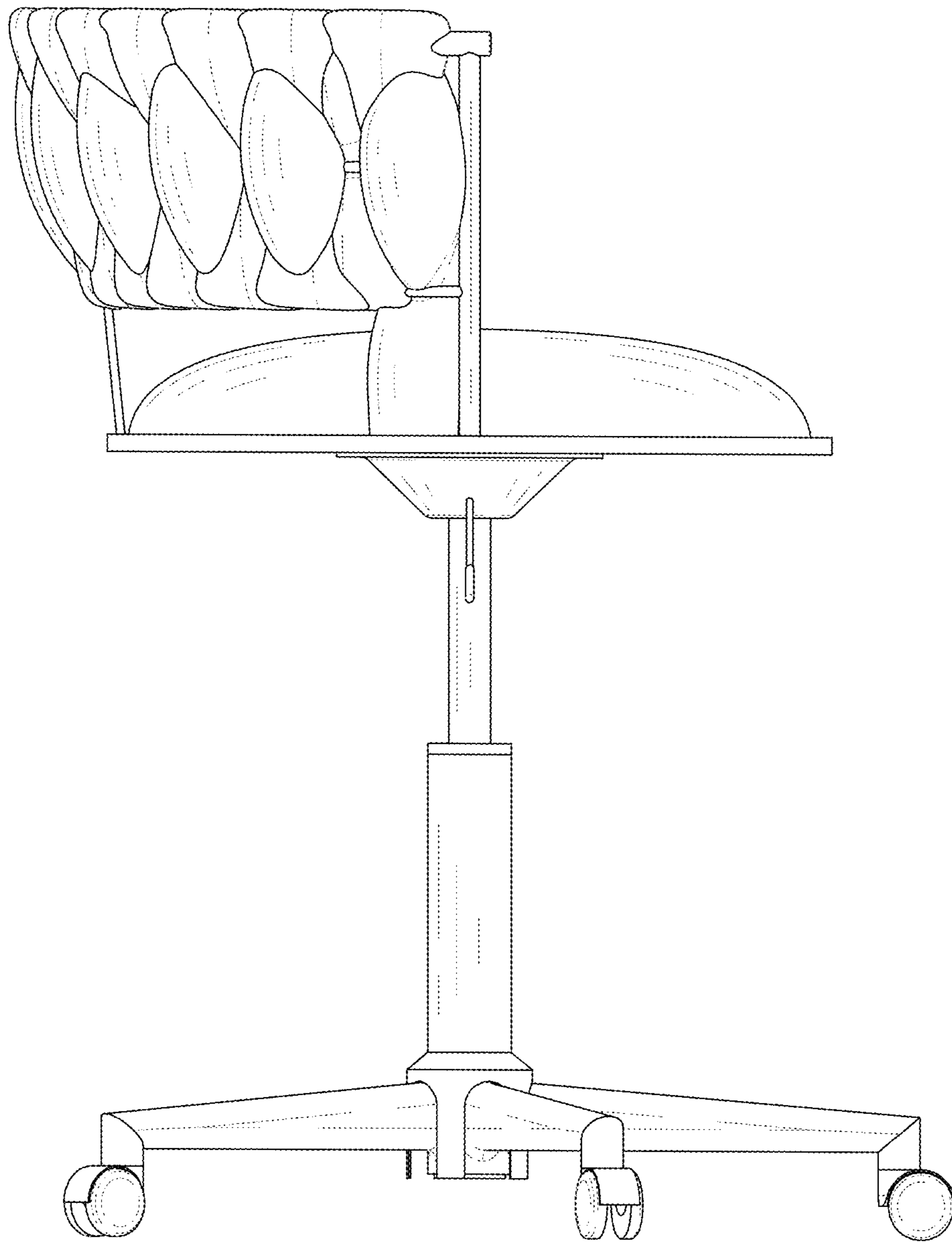


FIG. 5

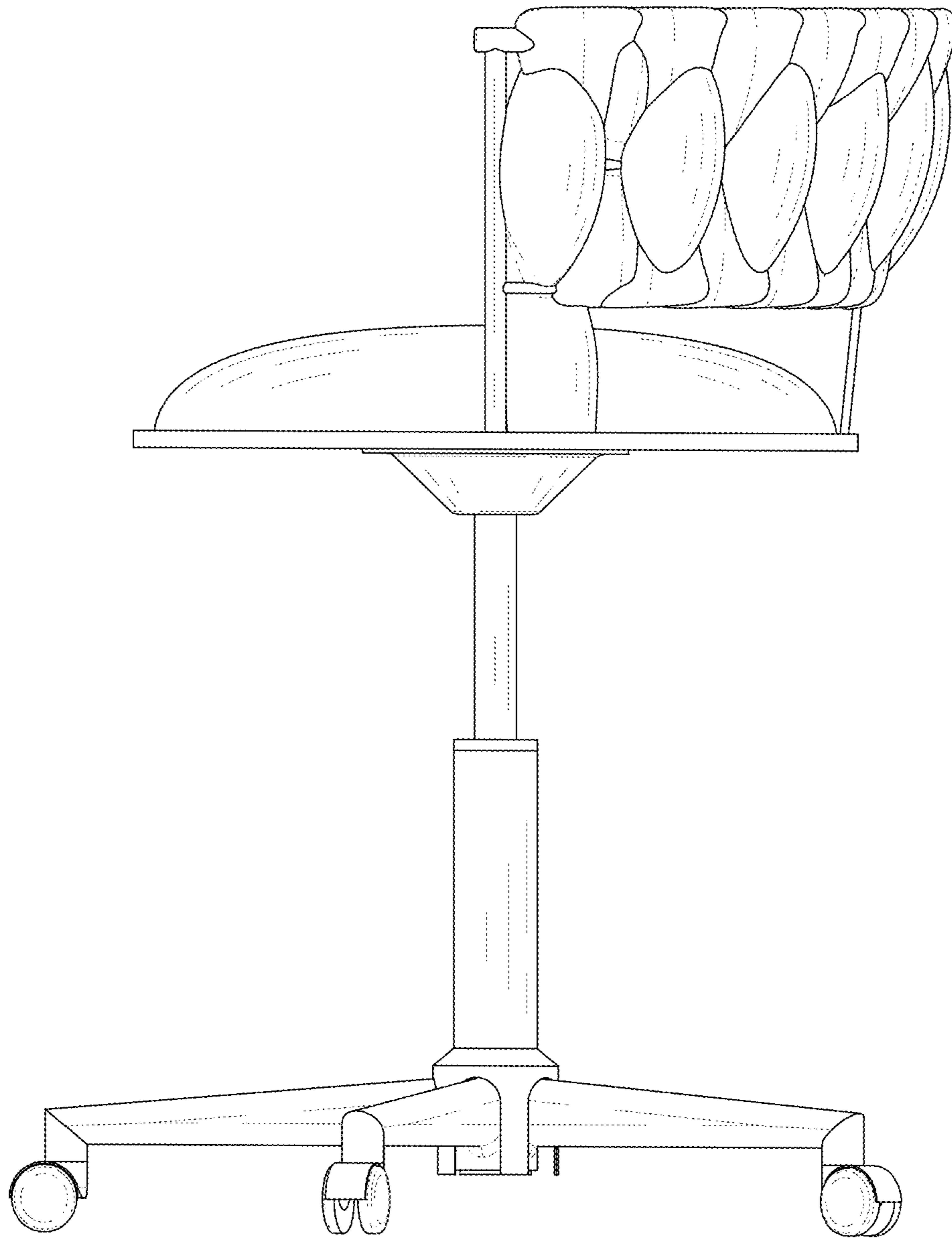


FIG. 6

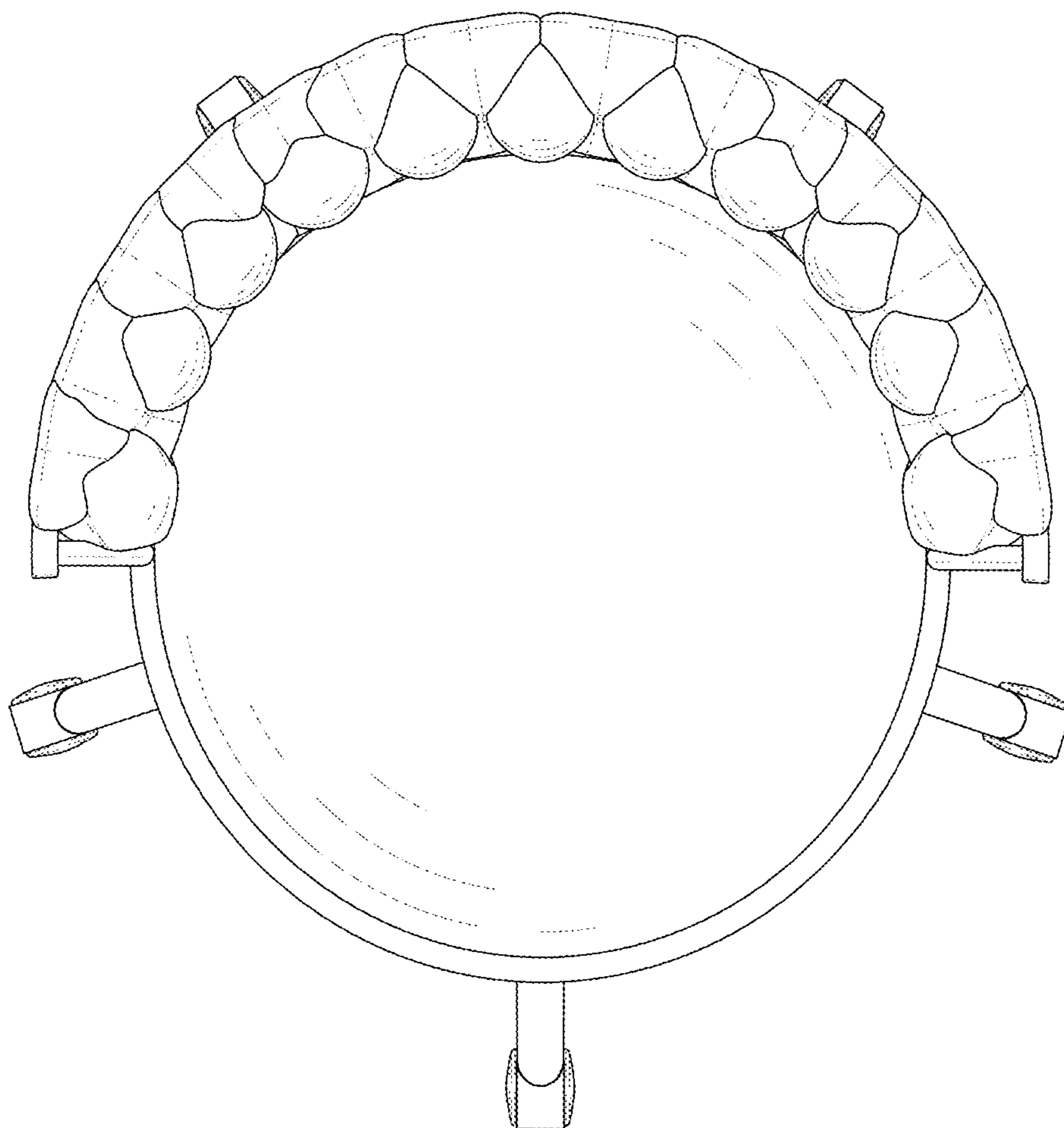


FIG. 7

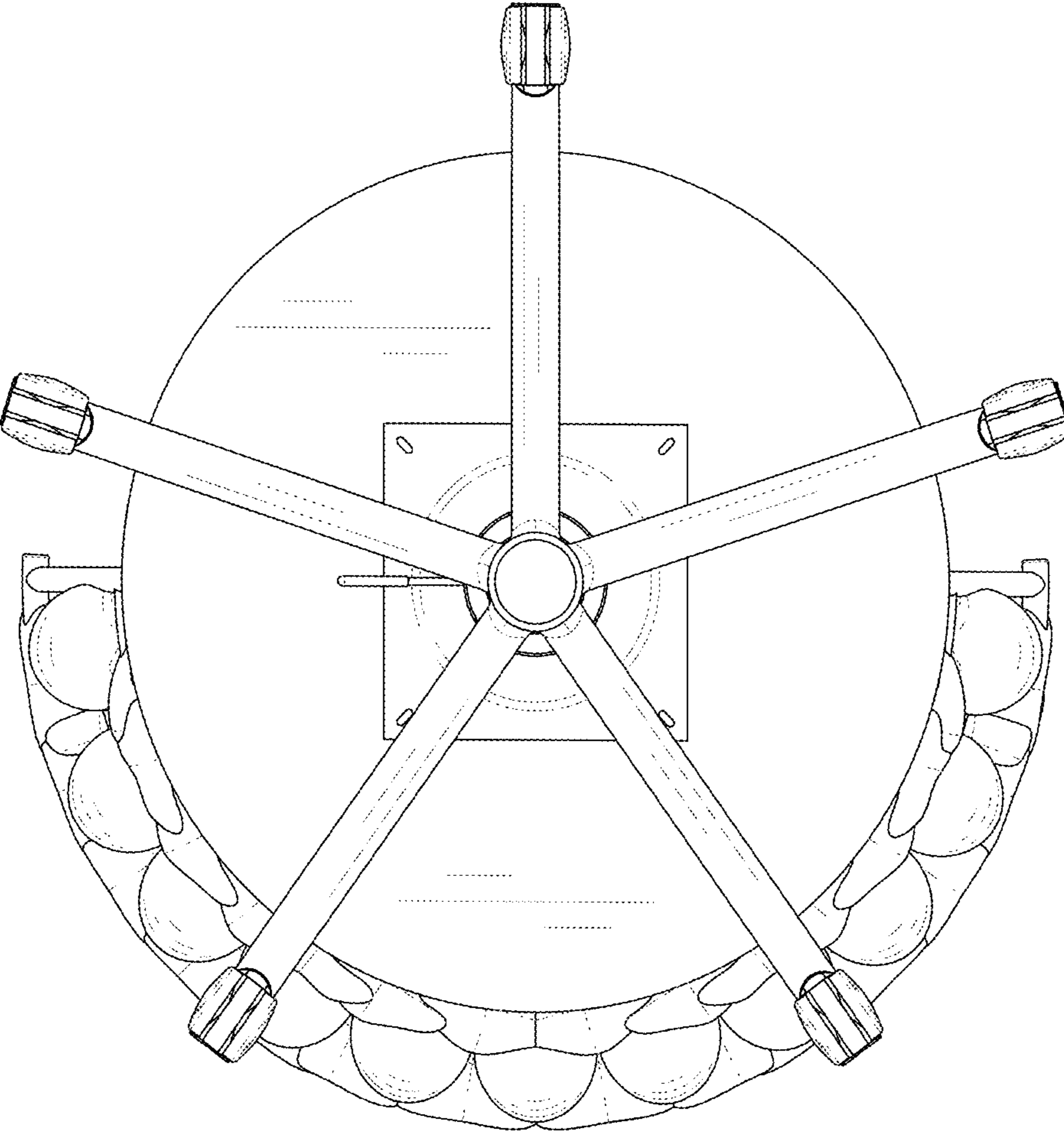


FIG. 8

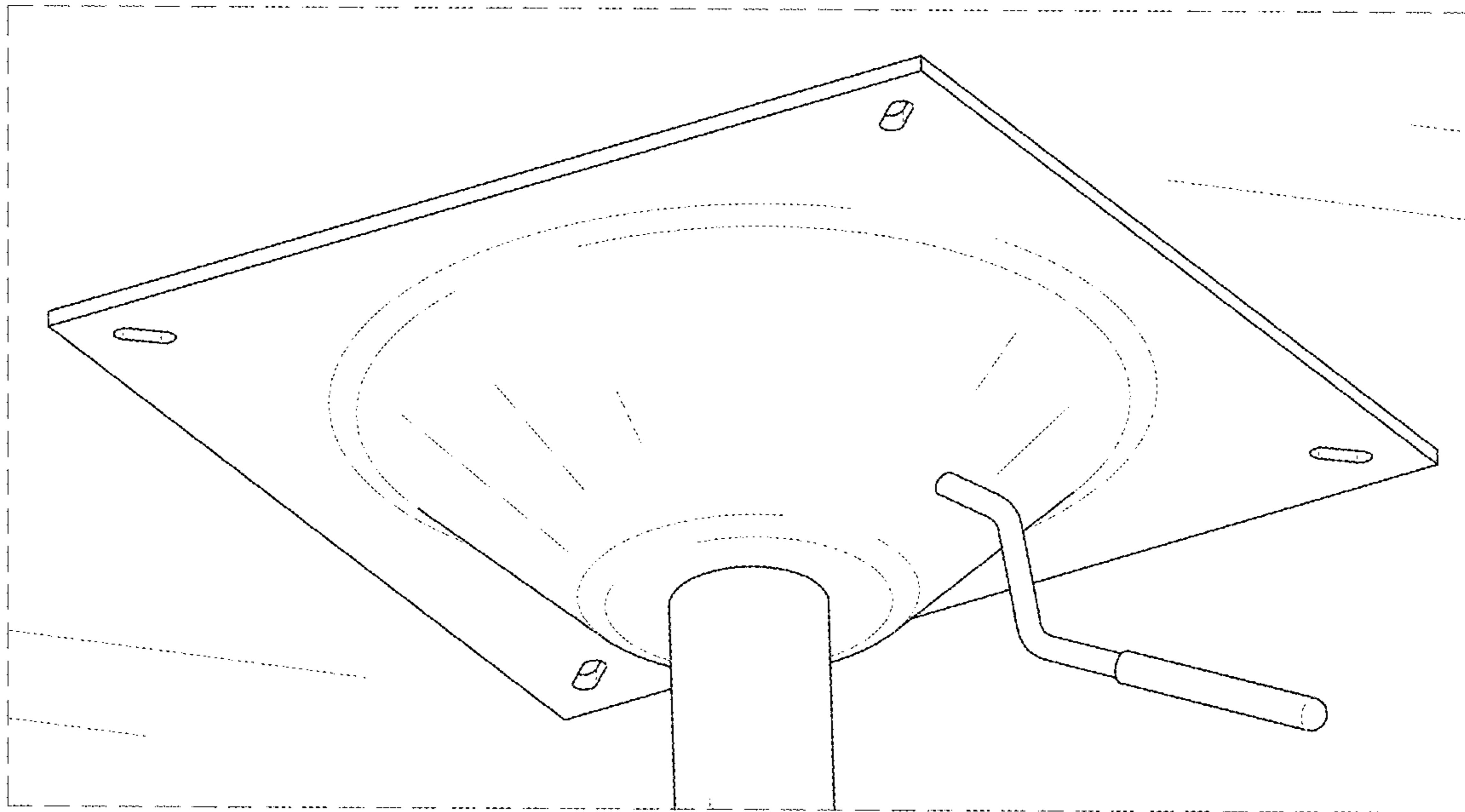


FIG. 9