



US00D979267S

(12) **United States Design Patent** (10) **Patent No.:** **US D979,267 S**  
**Tsai** (45) **Date of Patent:** **\*\* Feb. 28, 2023**

(54) **MAIN BODY OF BICYCLE SADDLE**

2021/0094641 A1\* 4/2021 Li ..... B62J 1/08  
2021/0114677 A1\* 4/2021 Perotto ..... B29C 45/14065  
2021/0129931 A1\* 5/2021 Bigolin ..... B62J 1/08  
2022/0153372 A1\* 5/2022 Drew ..... B62J 1/002

(71) Applicant: **Foming Bicycle Parts Co., Ltd.**,  
Fuxing Township, Changhua County  
(TW)

**FOREIGN PATENT DOCUMENTS**

(72) Inventor: **Shang-Tsang Tsai**, Fuxing Township  
(TW)

CN 305366219 \* 9/2019  
CN 305773889 \* 5/2020  
CN 306494374 \* 4/2021

(73) Assignee: **Foming Bicycle Parts Co., Ltd.**,  
Fuxing Township (TW)

**OTHER PUBLICATIONS**

(\*\*) Term: **15 Years**

SLR Tekno Saddle, posted unknown [online], [retrieved Oct. 19, 2022]. Retrieved from internet, <https://www.competitivecyclist.com/selle-italia-slr-tekno-saddle-sel0079> (Year: 2022).\*

(21) Appl. No.: **29/781,571**

(Continued)

(22) Filed: **Apr. 30, 2021**

(51) **LOC (14) Cl.** ..... **06-01**

*Primary Examiner* — Cynthia Ramirez

(52) **U.S. Cl.**

*Assistant Examiner* — Jeremy S. Swartz

USPC ..... **D6/354**

(58) **Field of Classification Search**

(74) *Attorney, Agent, or Firm* — Alan D. Kamrath; Karin L. Williams; Mayer & Williams PC

USPC ..... D6/354

CPC ..... B62J 1/00; B62J 1/007; B62J 1/12

See application file for complete search history.

(57)

**CLAIM**

The ornamental design for a main body of bicycle saddle, as shown and described.

(56) **References Cited**

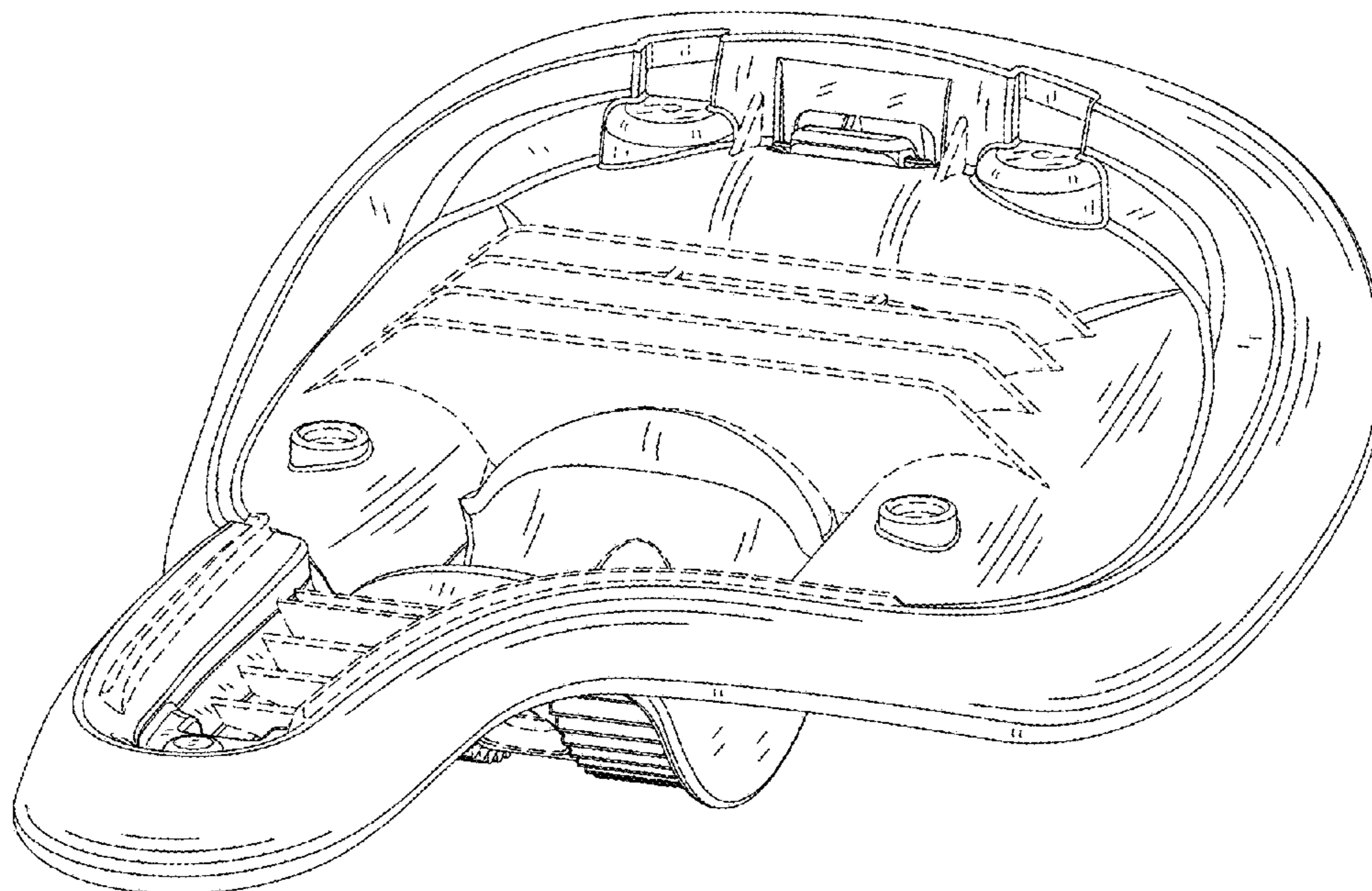
**DESCRIPTION**

**U.S. PATENT DOCUMENTS**

6,899,389 B2\* 5/2005 Saccucci ..... B62J 1/08  
297/215.14  
D640,879 S \* 7/2011 Curran ..... B62J 1/00  
D6/354  
9,889,898 B1\* 2/2018 Marui ..... B62J 1/08  
D887,731 S \* 6/2020 Kim ..... B62J 1/005  
D6/354  
D919,313 S \* 5/2021 Kim ..... B62J 1/005  
D6/354  
11,427,274 B2\* 8/2022 Tsai ..... B62J 1/08  
2016/0185408 A1\* 6/2016 Henderson ..... B62J 1/08  
297/215.15

FIG. 1 is a perspective view of a main body of bicycle saddle showing my new design;  
FIG. 2 is a front elevational view thereof;  
FIG. 3 is a rear elevational view thereof;  
FIG. 4 is a left side elevational view thereof;  
FIG. 5 is a right side elevational view thereof;  
FIG. 6 is a top plan view thereof; and,  
FIG. 7 is a bottom plan view thereof.  
The broken lines depict portions of the main body of bicycle saddle that form no part of the claimed design.

**1 Claim, 7 Drawing Sheets**



(56)

**References Cited**

OTHER PUBLICATIONS

WTB Speed She Saddle, posted Oct. 3, 2019 [online], [retrieved Oct. 19, 2022]. Retrieved from internet, <https://www.performancebike.com/wtb-speed-she-saddle-black-chromoly-rails-wide-150mm-w065-0627/p1260861?v=1011945> (Year: 2019).\*

Speed Medium Saddle, posted Aug. 23, 2019 [online], [retrieved Oct. 19, 2022]. Retrieved from internet, <https://www.amazon.com/WTB-W065-0620-Speed-Medium-Saddle/dp/B07WXNJ8RB> (Year: 2019).\*

\* cited by examiner

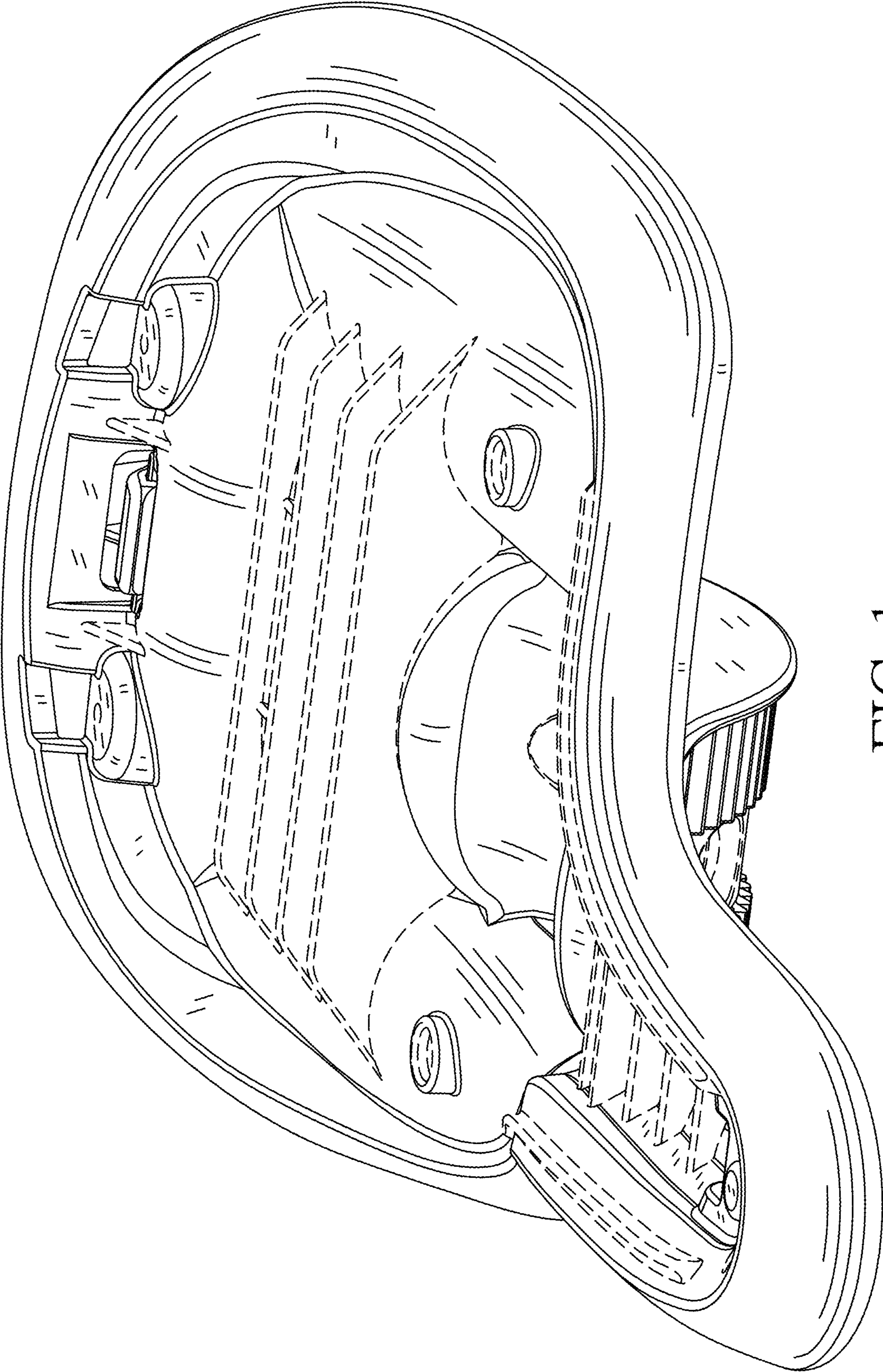


FIG. 1



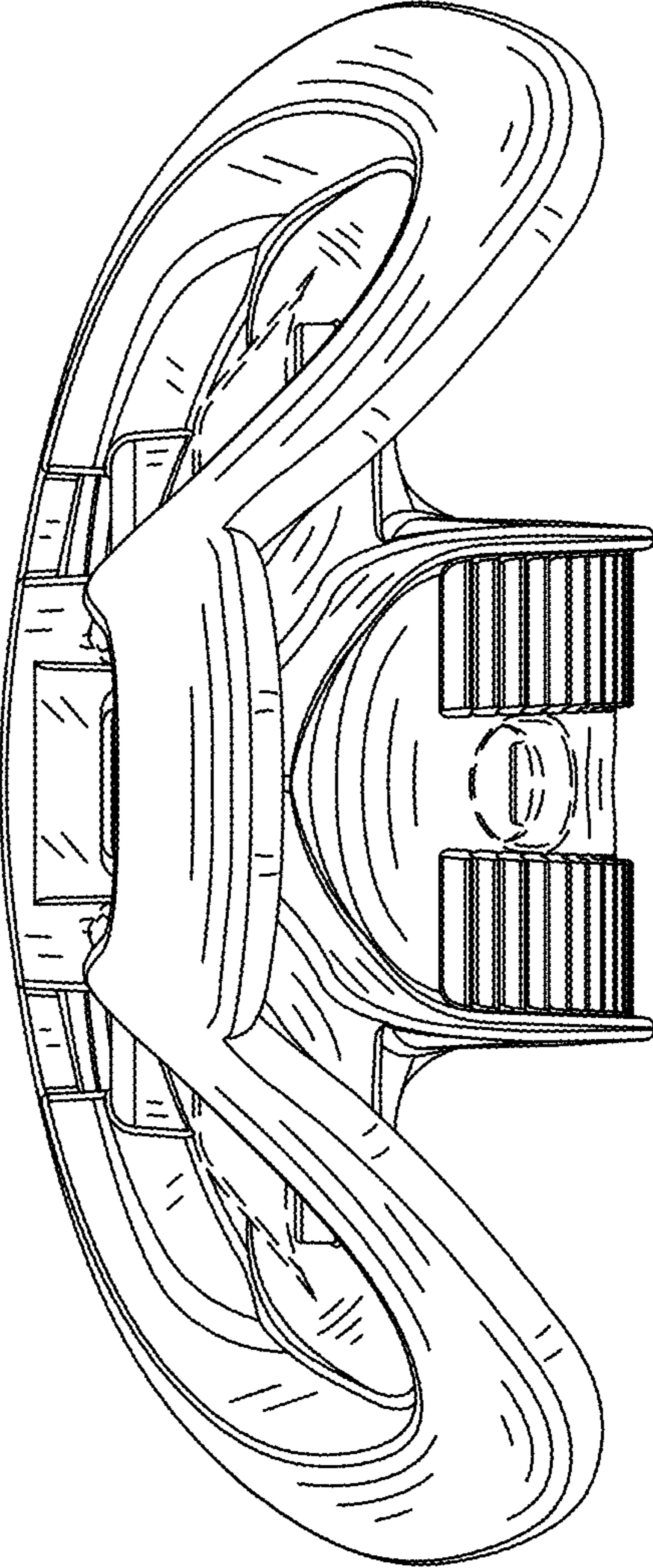


FIG. 2

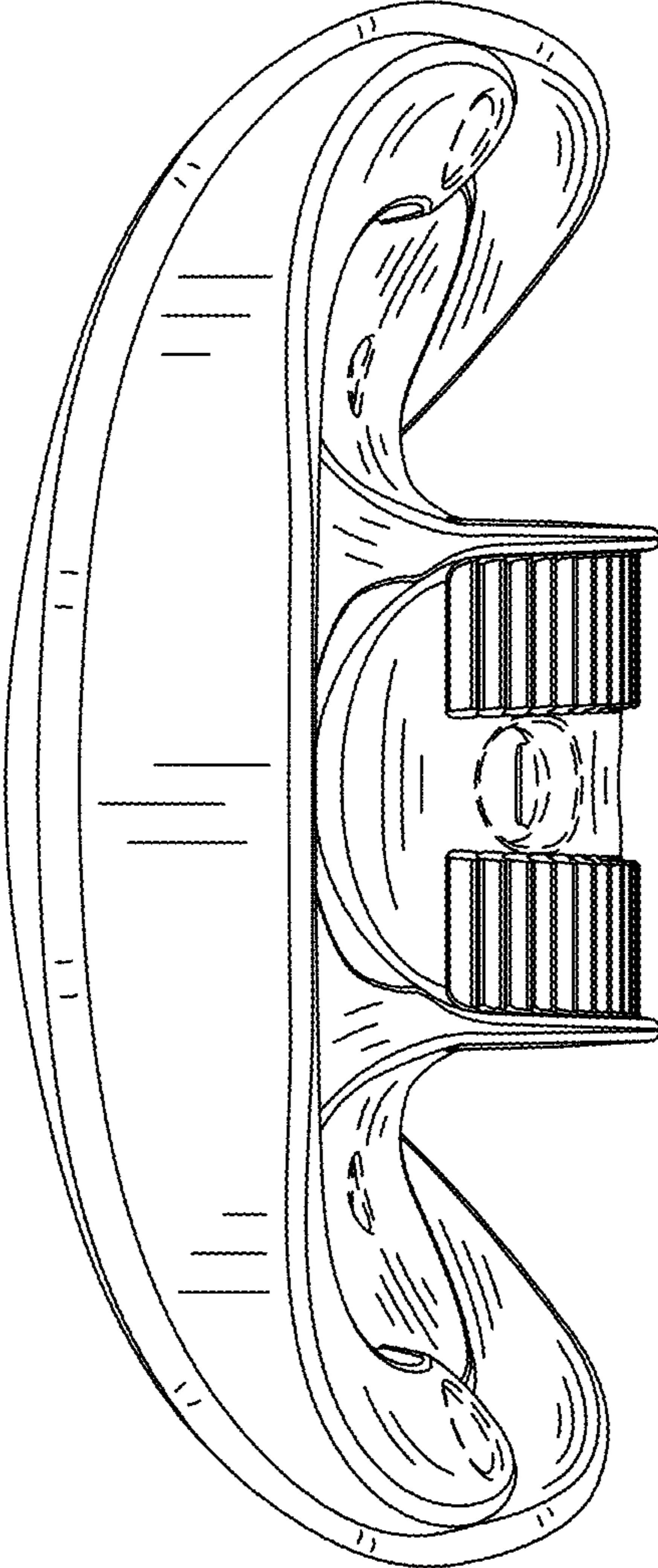


FIG. 3

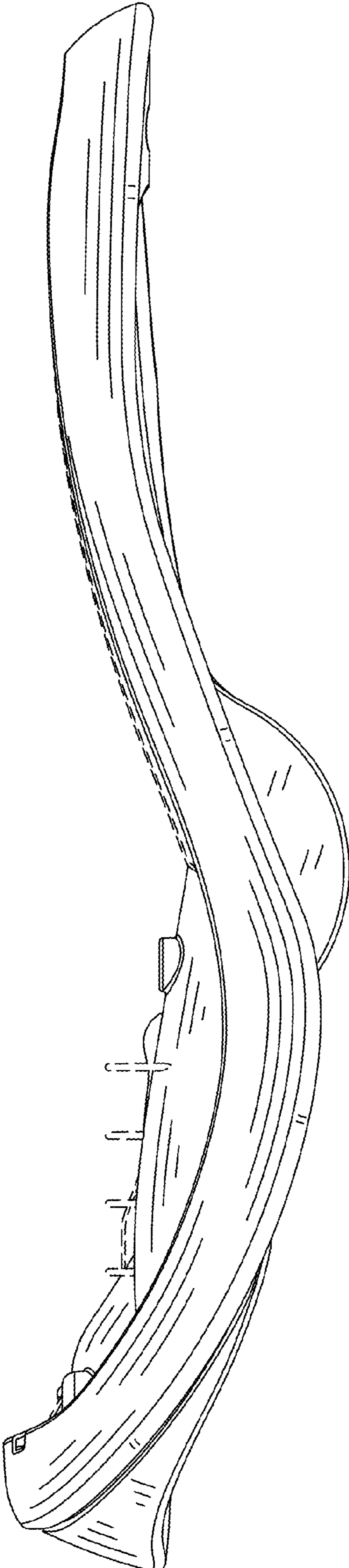


FIG. 4

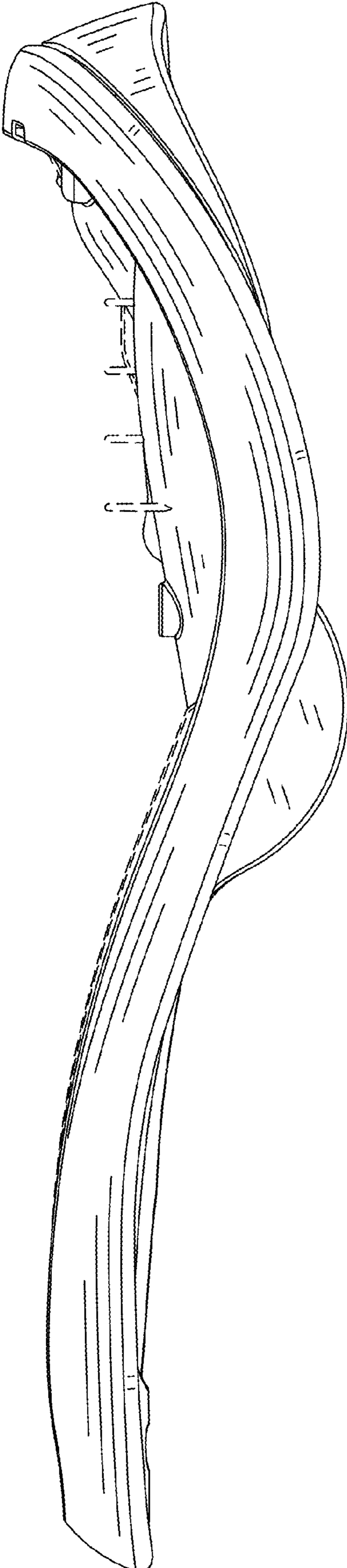


FIG. 5

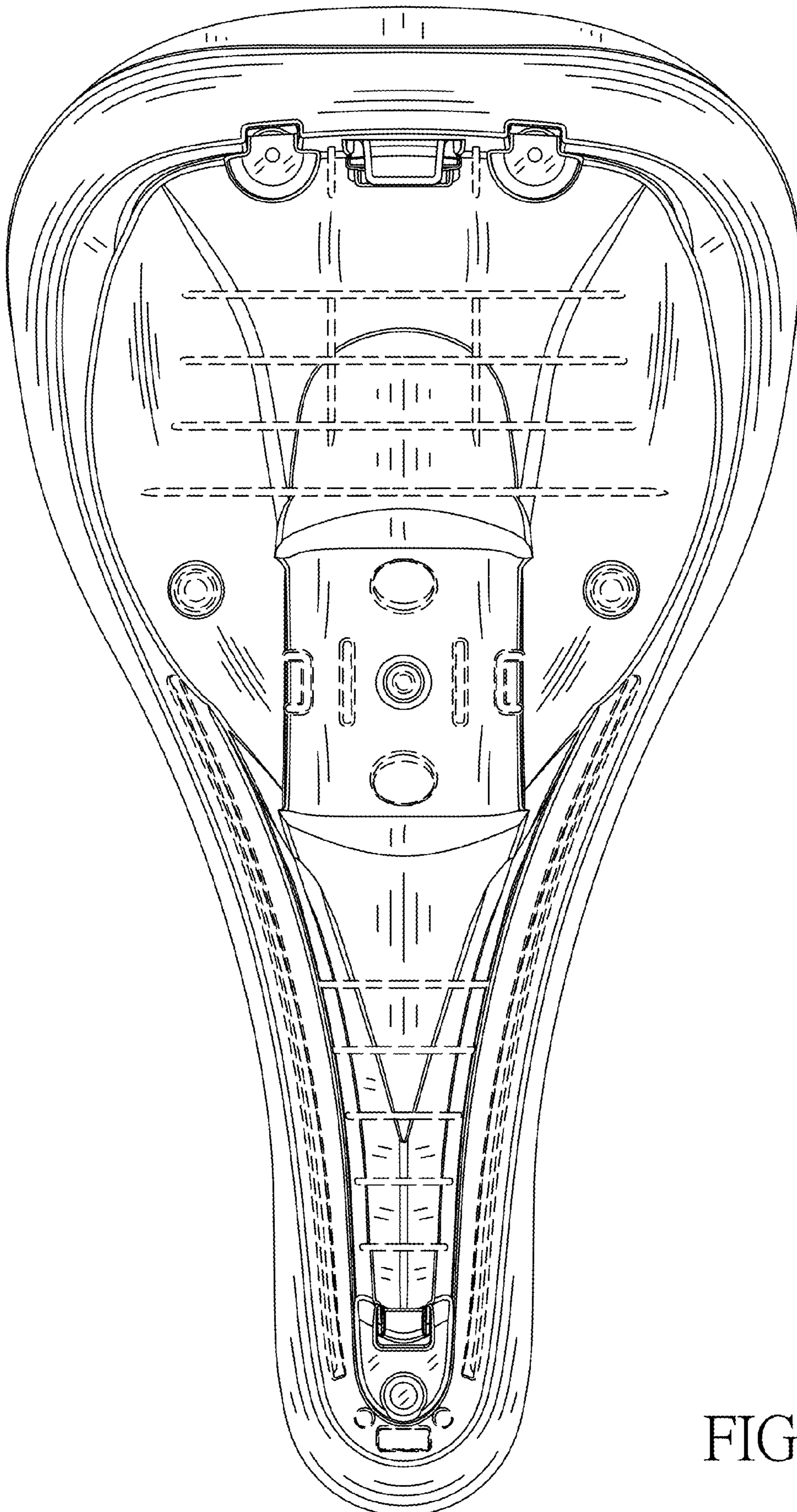


FIG. 6



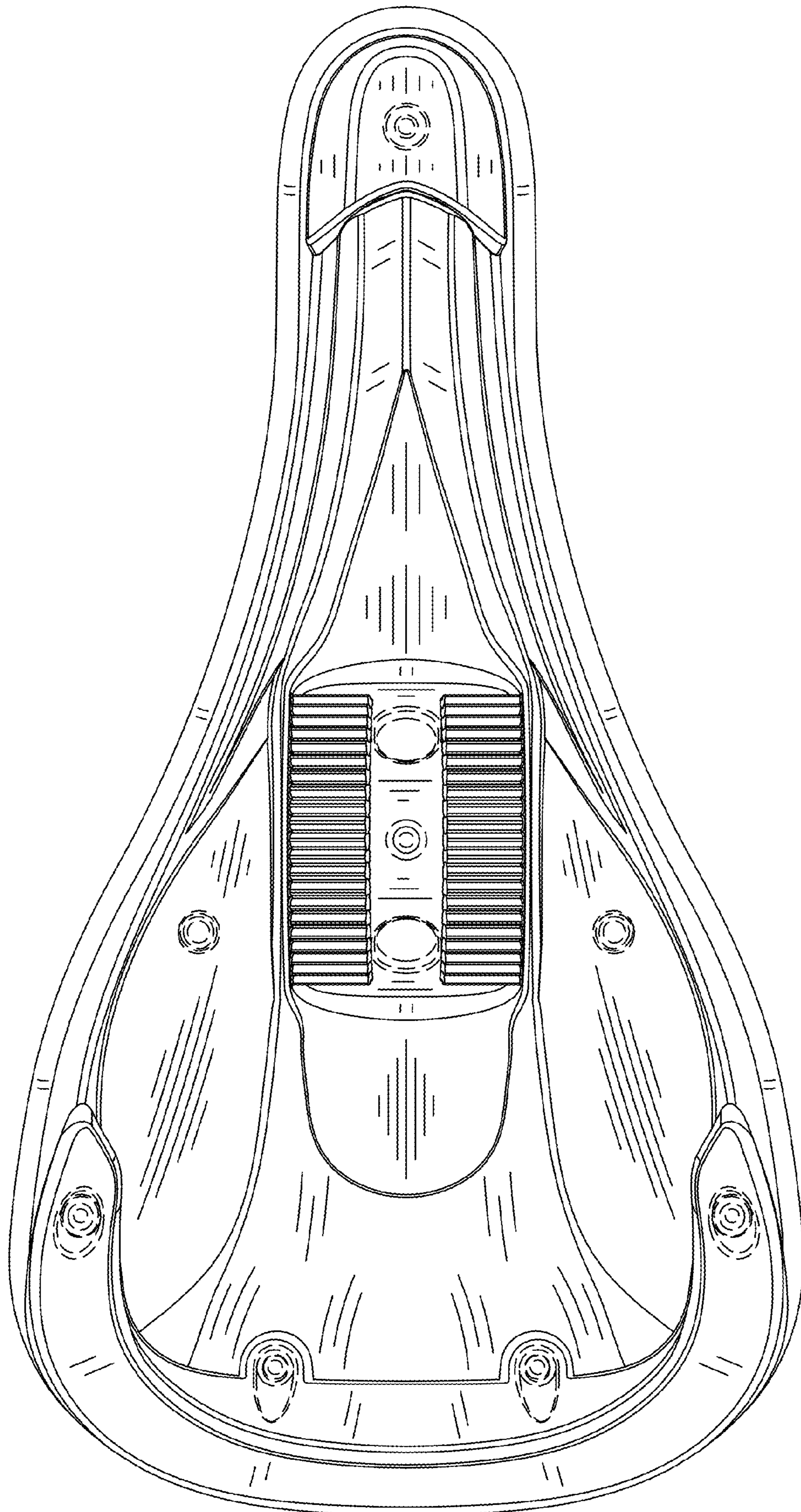


FIG. 7