

US00D979262S

(12) **United States Design Patent**
Zhu

(10) **Patent No.:** **US D979,262 S**

(45) **Date of Patent:** **** Feb. 28, 2023**

(54) **OFFICE FOOTREST**

(71) Applicant: **TAIZHOU HUANGYAN HEXING PLASTIC MOULD CO., LTD,**
Taizhou (CN)

(72) Inventor: **Konghe Zhu,** Taizhou (CN)

(73) Assignee: **TAIZHOU HUANGYAN HEXING PLASTIC MOULD CO., LTD,**
Taizhou (CN)

D280,052 S *	8/1985	Hypponen	D6/349
D284,717 S *	7/1986	Murry	D6/349
D299,388 S *	1/1989	Frinier	D6/349
4,813,742 A *	3/1989	Cardinael	A47C 16/02
				D6/349
4,991,908 A *	2/1991	Krechel	A47C 16/02
				D6/349
D348,784 S *	7/1994	Hassel	D6/349
D379,271 S *	5/1997	Starck	D6/349
D389,327 S *	1/1998	King	D24/212
D410,796 S *	6/1999	Sabo	D6/349
D467,440 S *	12/2002	Lindaman	D6/349

(Continued)

(**) Term: **15 Years**

(21) Appl. No.: **29/777,543**

(22) Filed: **Apr. 7, 2021**

(51) **LOC (14) Cl.** **06-01**

(52) **U.S. Cl.**
USPC **D6/353; D6/349**

(58) **Field of Classification Search**
USPC D6/353, 328, 333-338, 349-351, 355,
D6/357, 663, 684, 685, 687, 691,
D6/691.7-691.9, 709.2, 716; D21/522,
D21/671, 826; D25/64, 65, 29, 126-129;
D23/290, 309, 335
CPC A47C 16/025; A47C 12/02; A47B 9/16
See application file for complete search history.

(56) **References Cited**

U.S. PATENT DOCUMENTS

D87,229 S *	6/1932	McGowen	D6/349
3,155,364 A *	11/1964	Berg	A47C 16/02
				297/423.46
3,554,600 A *	1/1971	Hennessey	A47C 16/025
				297/461
4,205,663 A *	6/1980	Fujiwara	A61H 15/00
				601/122
4,277,660 A *	7/1981	Lemmer	A47C 16/025
				200/86.5
D278,864 S *	5/1985	Borichevsky	D6/349

OTHER PUBLICATIONS

Scalebeard Under Desk Footrest, available in Amazon.com, date first available Oct. 12, 2020 [online], Retrieved on Jul. 21, 2022 from URL: <https://www.amazon.com/Footrest-Ergonomic-Position-Adjustable-Non-Slip/dp/B08L39ZW31> (Year: 2020).*

Primary Examiner — Vy N Koenig

Assistant Examiner — Michelle M Reeves

(74) *Attorney, Agent, or Firm* — Bayramoglu Law Offices LLC

(57) **CLAIM**

The ornamental design for an office footrest, as shown and described.

DESCRIPTION

FIG. 1 is a top perspective view of an office footrest showing my new design;

FIG. 2 is a front view thereof;

FIG. 3 is a rear view thereof;

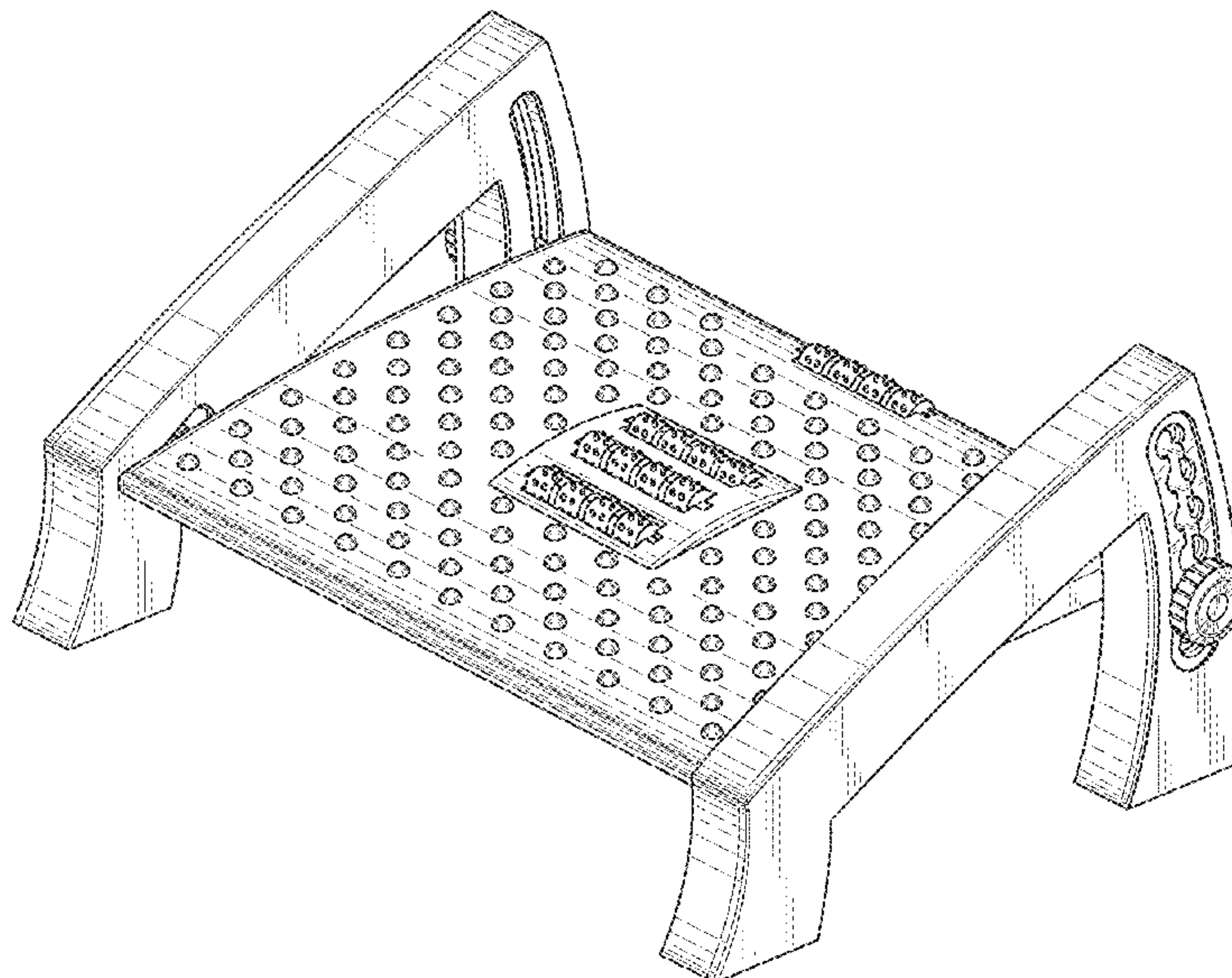
FIG. 4 is a right side view thereof, a left side view being a mirror image of the right side view;

FIG. 5 is a top side view thereof;

FIG. 6 is a bottom view thereof; and,

FIG. 7 is a bottom perspective view thereof.

1 Claim, 7 Drawing Sheets



(56)

References Cited

U.S. PATENT DOCUMENTS

D493,293 S * 7/2004 Vira D6/349
D902,612 S * 11/2020 Hu D6/349

* cited by examiner

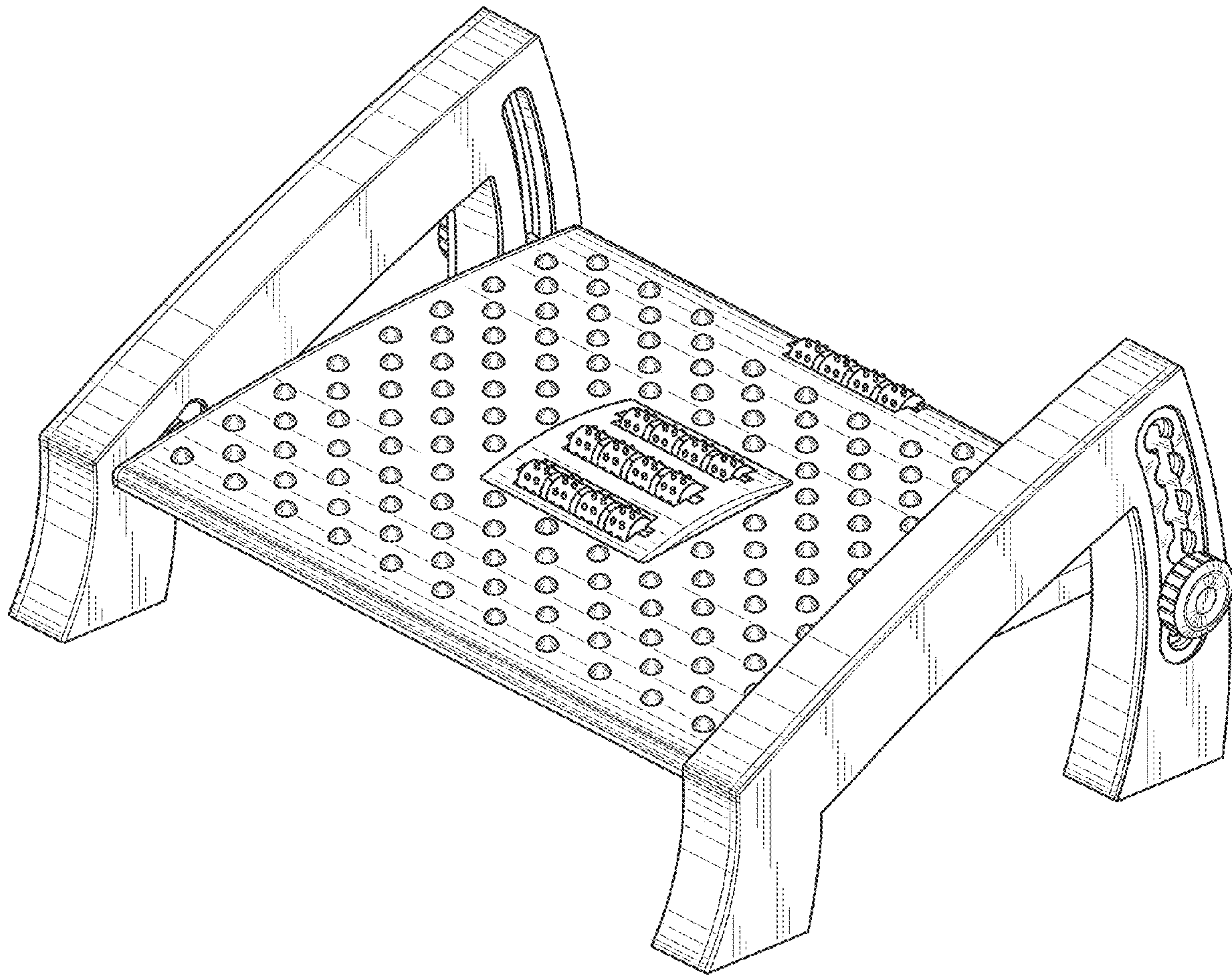


Fig. 1

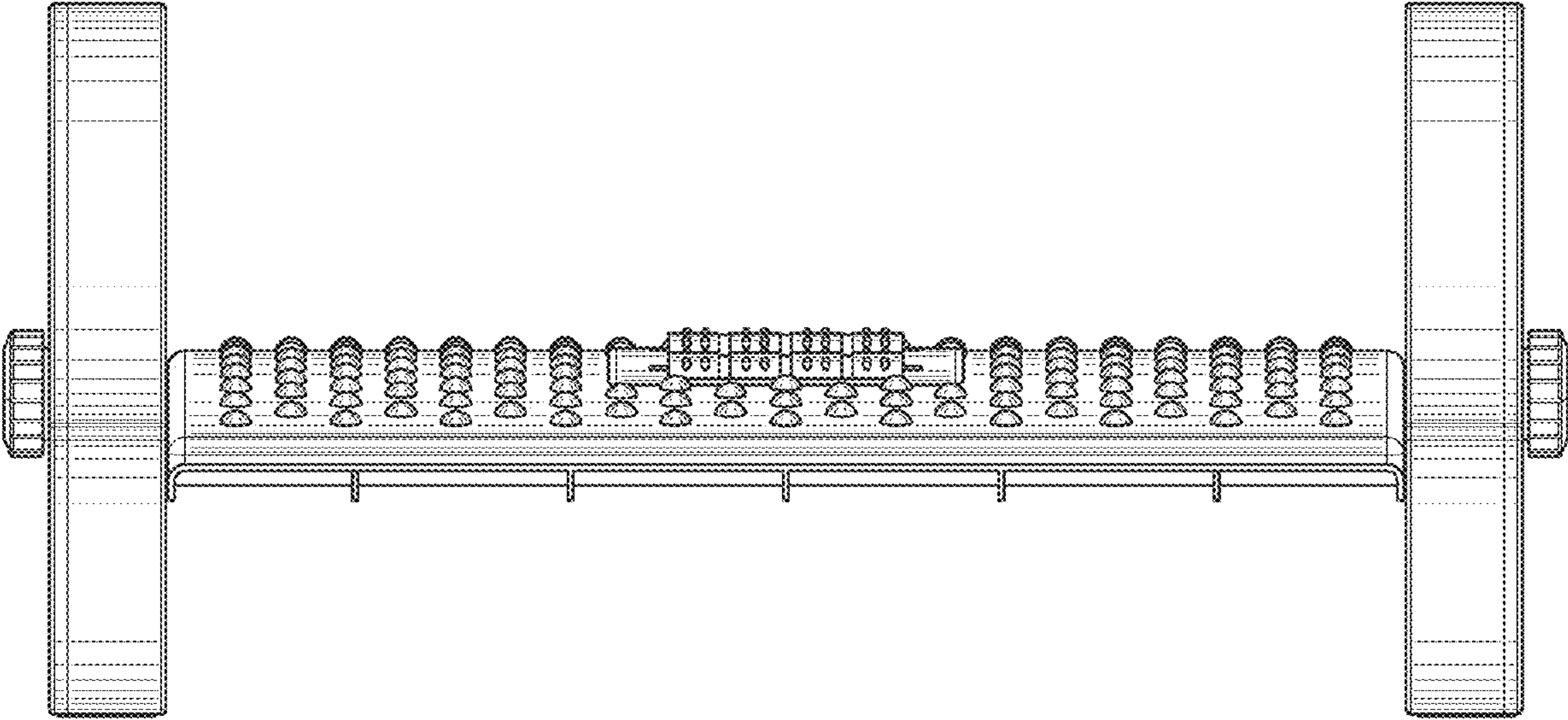


Fig. 2

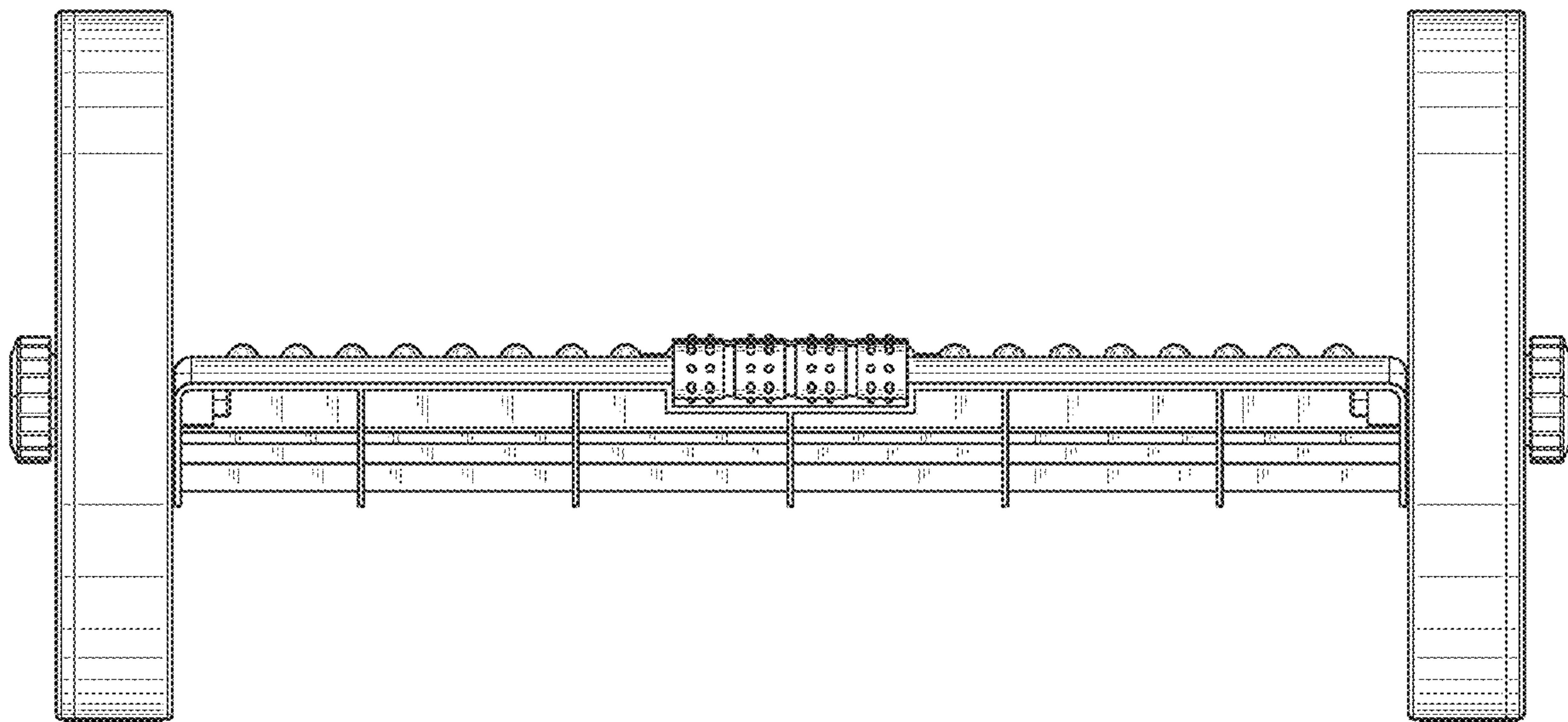


Fig. 3

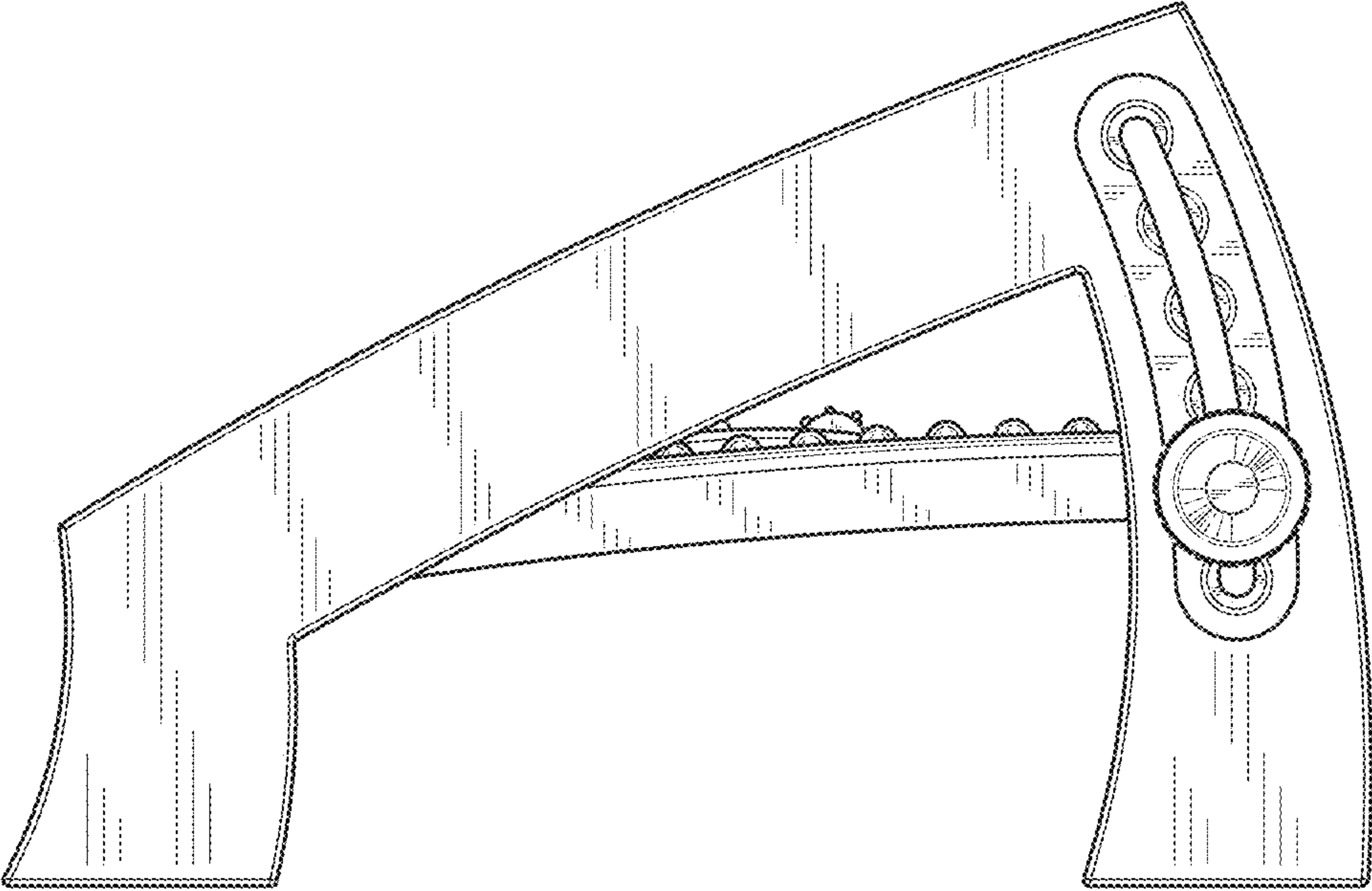


Fig. 4

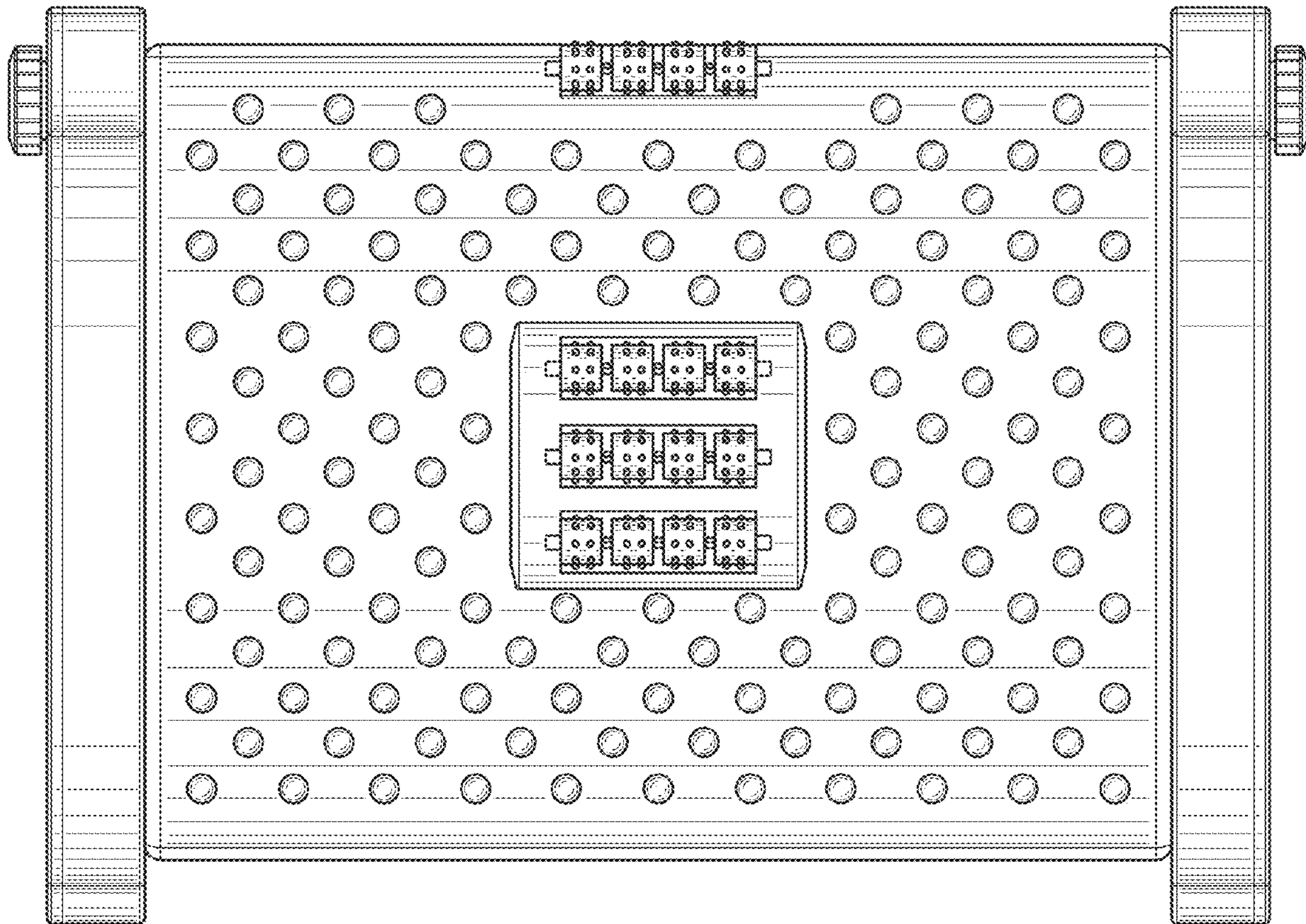


Fig. 5

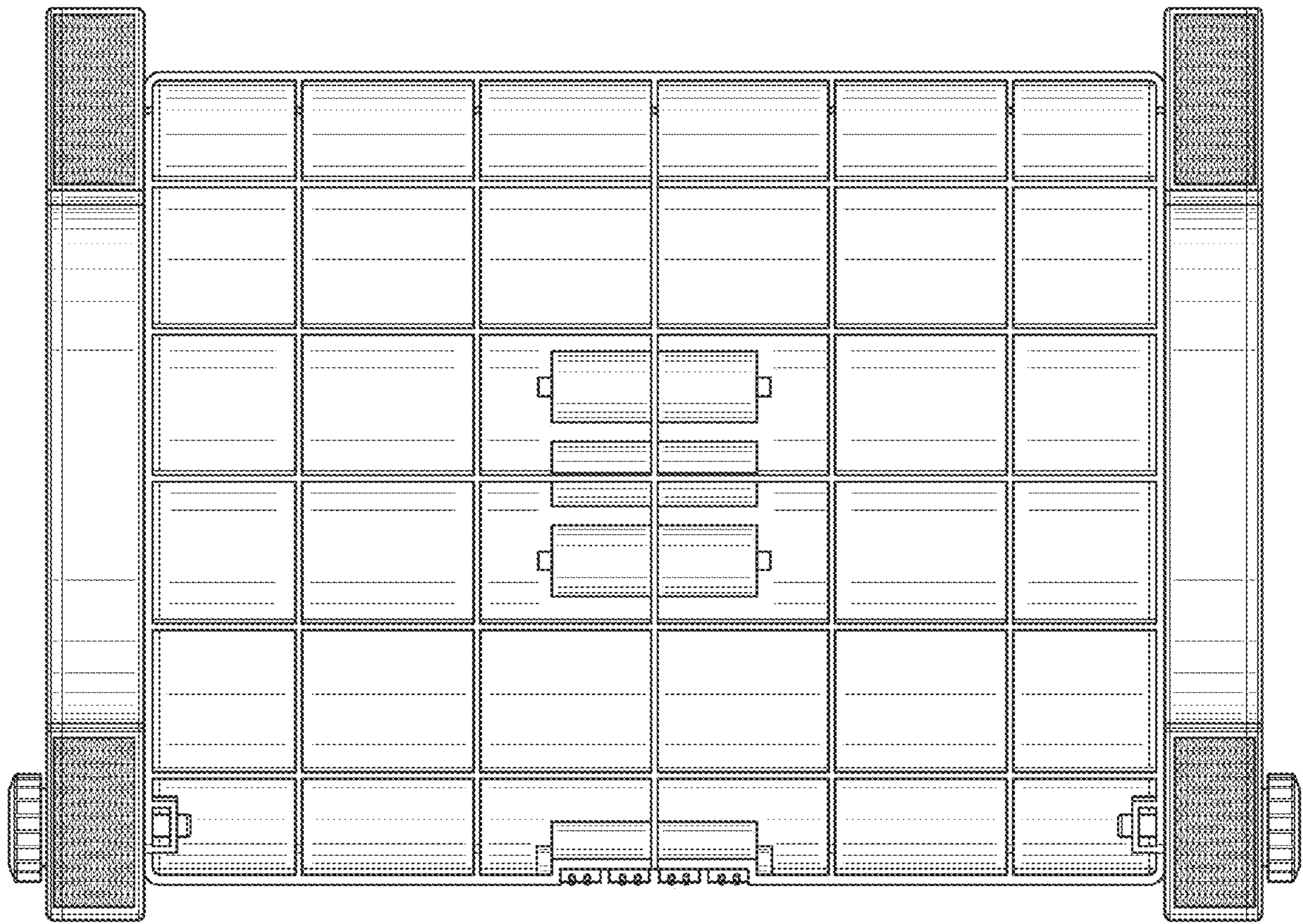


Fig. 6

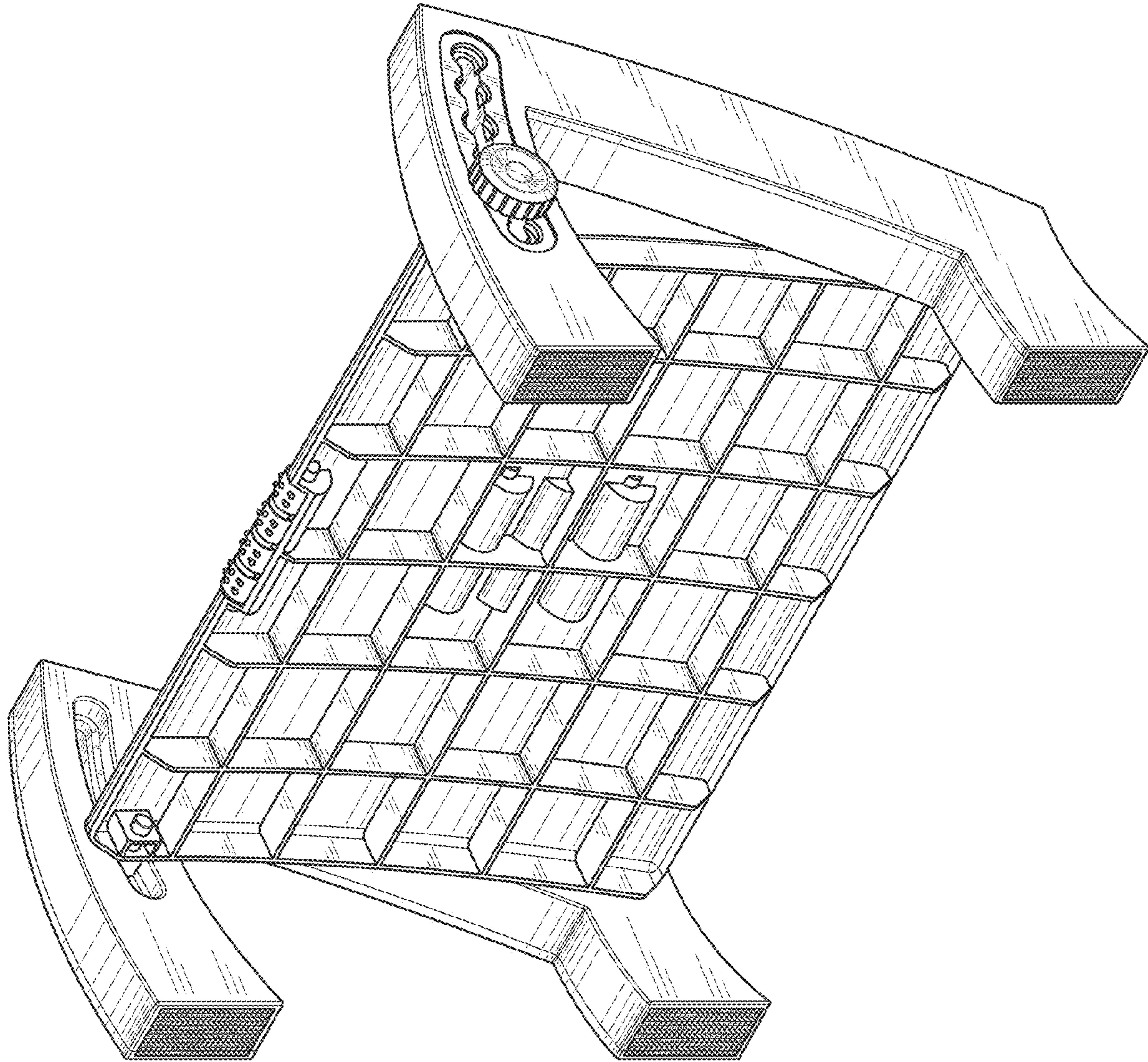


Fig. 7