



US00D979252S

(12) **United States Design Patent**
Eichel et al.

(10) **Patent No.:** **US D979,252 S**
(45) **Date of Patent:** **** Feb. 28, 2023**

(54) **SNOW REMOVAL SHOVEL**
(71) Applicant: **Globe (Jiangsu) Co., Ltd.**, Changzhou (CN)
(72) Inventors: **Chris Eichel**, Charlotte, NC (US); **Sheng Li**, Changzhou (CN); **Jie Kuang**, Changzhou (CN); **Jianlong Chen**, Changzhou (CN); **Shidong Ma**, Changzhou (CN)

(73) Assignee: **Globe (Jiangsu) Co., Ltd.**, Changzhou (CN)

(**) Term: **15 Years**

(21) Appl. No.: **29/807,047**

(22) Filed: **Sep. 8, 2021**

(30) **Foreign Application Priority Data**

Apr. 6, 2021 (CN) 202130190653.1

(51) **LOC (14) Cl.** **04-99**

(52) **U.S. Cl.**
USPC **D4/118**

(58) **Field of Classification Search**
USPC D4/108, 118; D8/10
CPC B60S 2001/3832; B60S 3/045; A47L 1/06;
A47L 13/022; A47L 13/12
See application file for complete search history.

(56) **References Cited**

U.S. PATENT DOCUMENTS

D366,962 S * 2/1996 Whitaker D4/118
D501,725 S * 2/2005 Hay D4/118
D562,001 S * 2/2008 Liu D4/118

D597,315 S * 8/2009 Hoffelner D4/118
D608,098 S * 1/2010 Scott D4/118
D656,736 S * 4/2012 Hoffelner D4/118
D717,618 S * 11/2014 Masalin D8/10
D895,383 S * 9/2020 Thorn A47L 1/08
D8/107
D963,066 S * 9/2022 Bustle A47L 13/52
D30/162
2007/0085359 A1 * 4/2007 Schouten A47L 13/52
294/51
2011/0185522 A1 * 8/2011 Parks A47L 1/08
15/111

OTHER PUBLICATIONS

ebay.com, Motion Pro Motospade cleaning brush, undated online product page, retrieved Nov. 27, 2022 from <URL:https://www.ebay.com/itm/401436904860> (Year: 2022).*

* cited by examiner

Primary Examiner — Calvin E Vansant

(74) *Attorney, Agent, or Firm* — Xiaofei Xue

(57) **CLAIM**

The ornamental design for a snow removal shovel, as shown and described.

DESCRIPTION

FIG. 1 is a front elevational view of a snow removal shovel showing our new design;
FIG. 2 is a rear elevational view thereof;
FIG. 3 is a left side view thereof;
FIG. 4 is a right side view thereof;
FIG. 5 is a top view thereof;
FIG. 6 is a bottom view thereof; and,
FIG. 7 is a perspective view thereof.

1 Claim, 3 Drawing Sheets

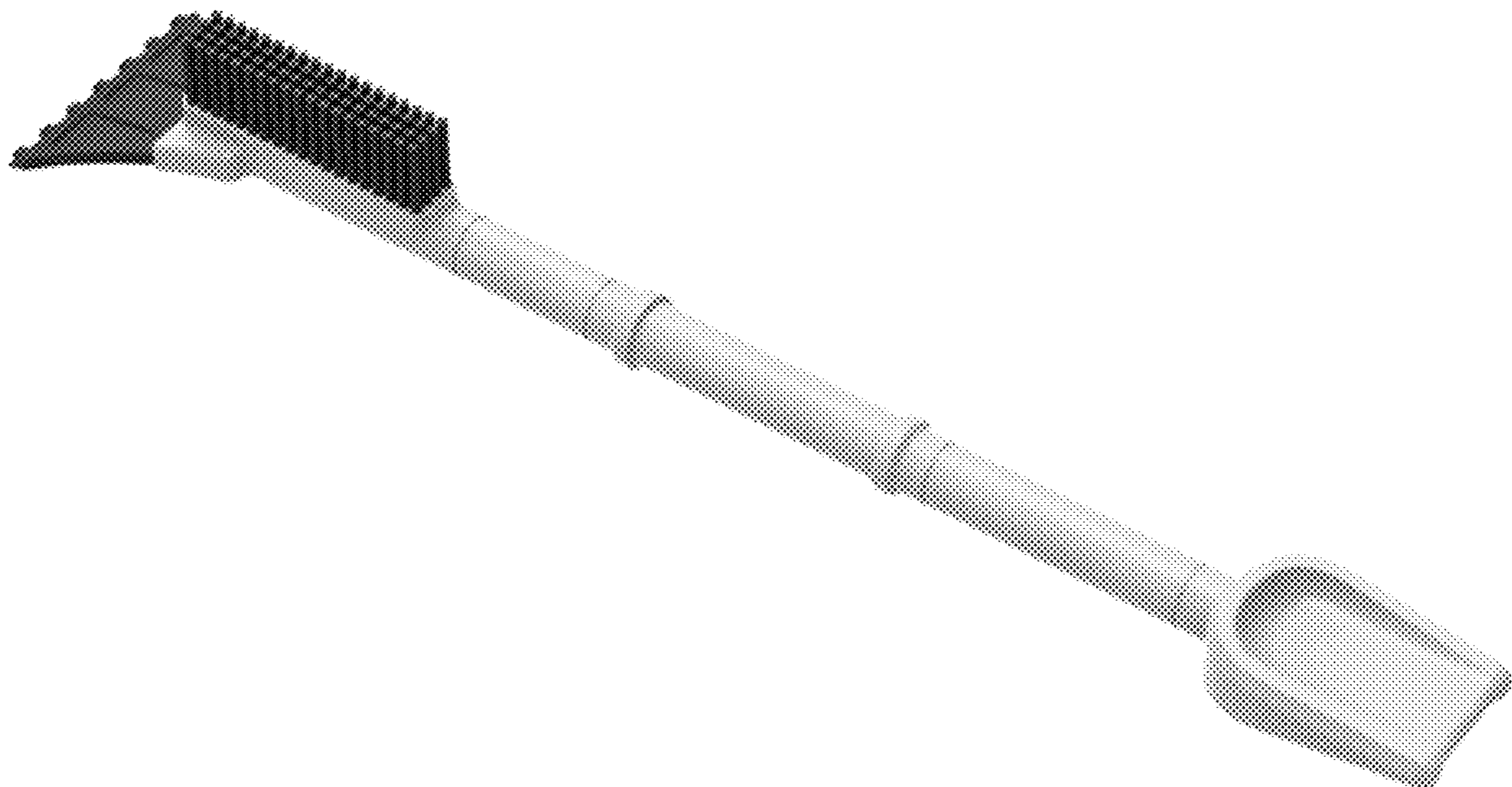




Figure 1



Figure 2

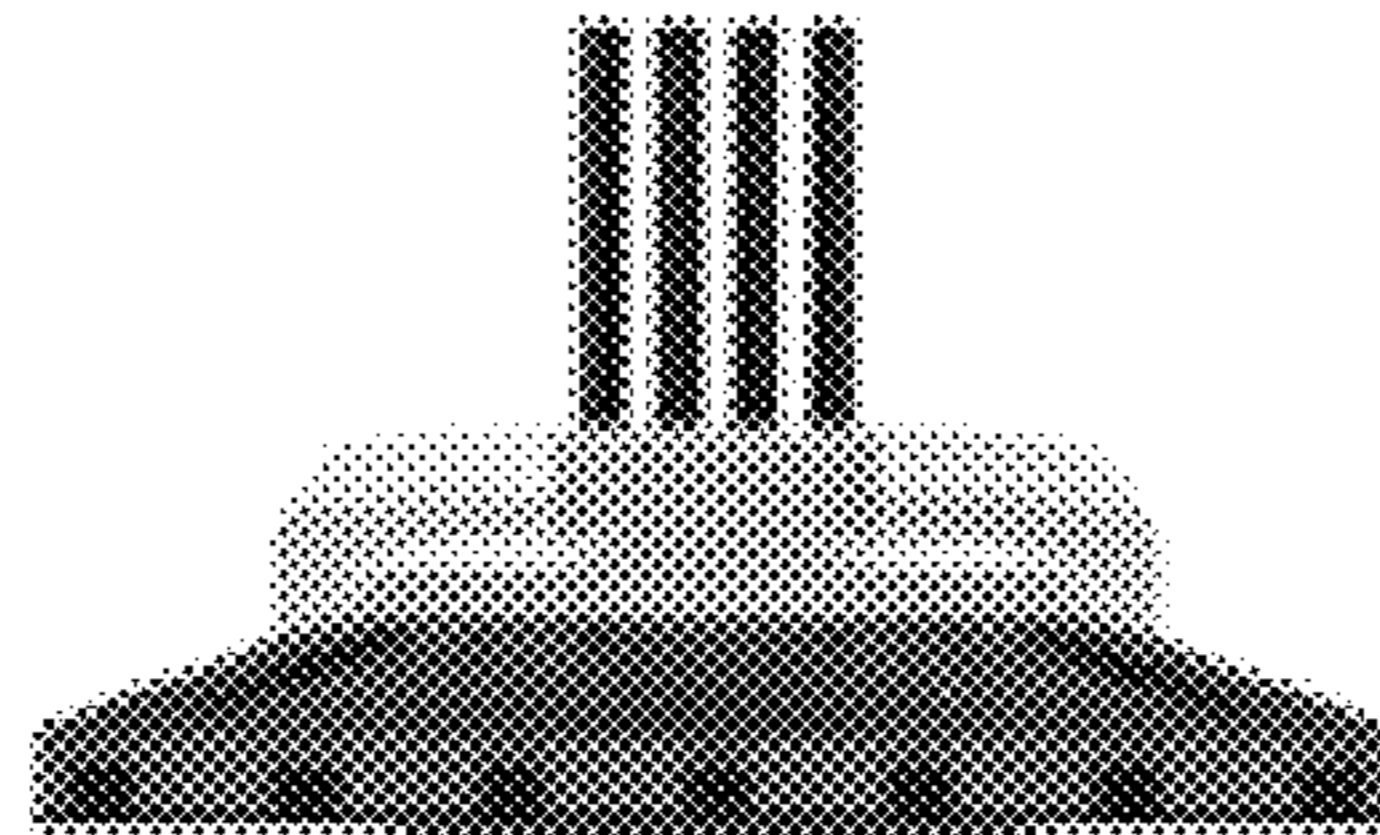


Figure 3

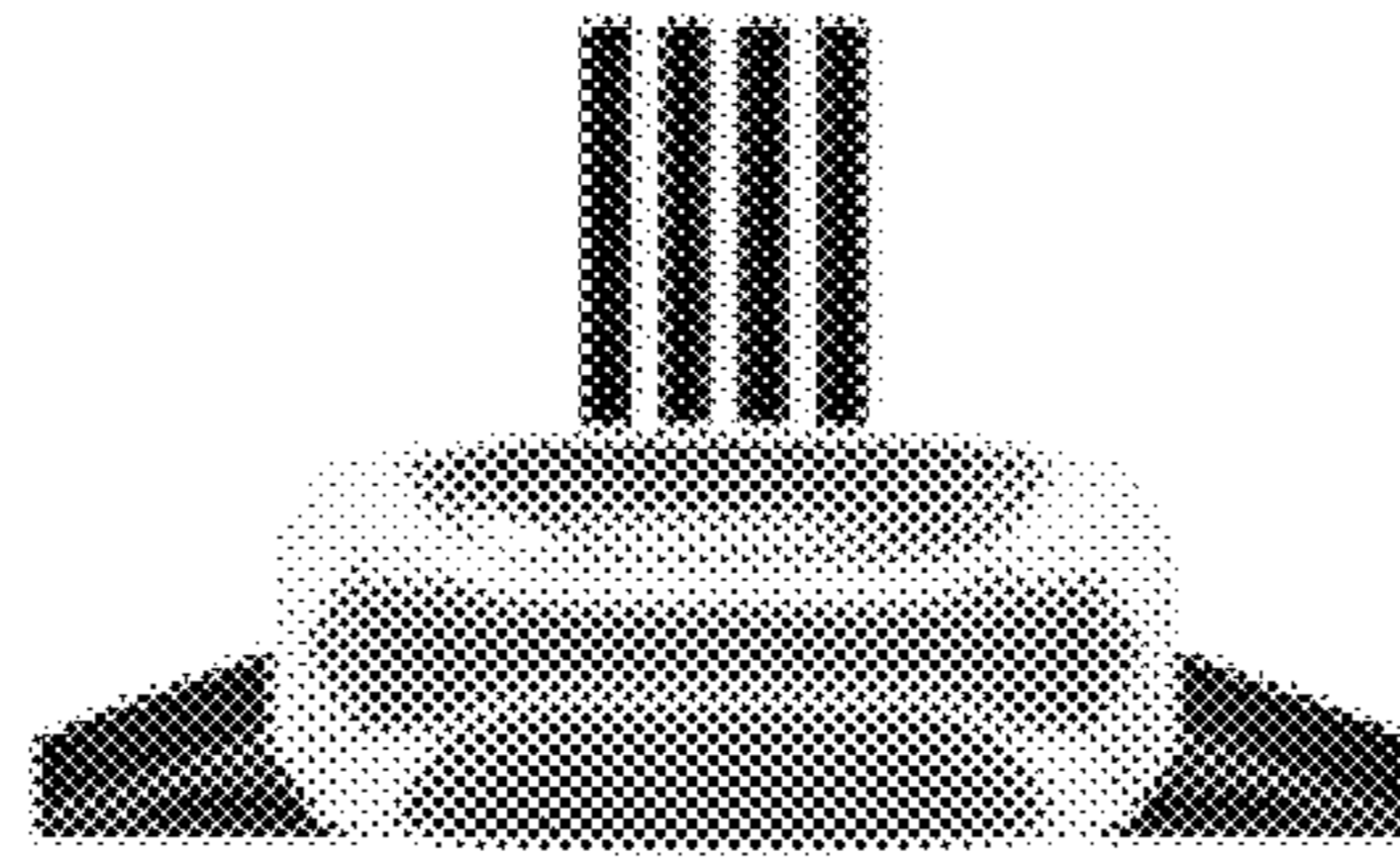


Figure 4



Figure 5

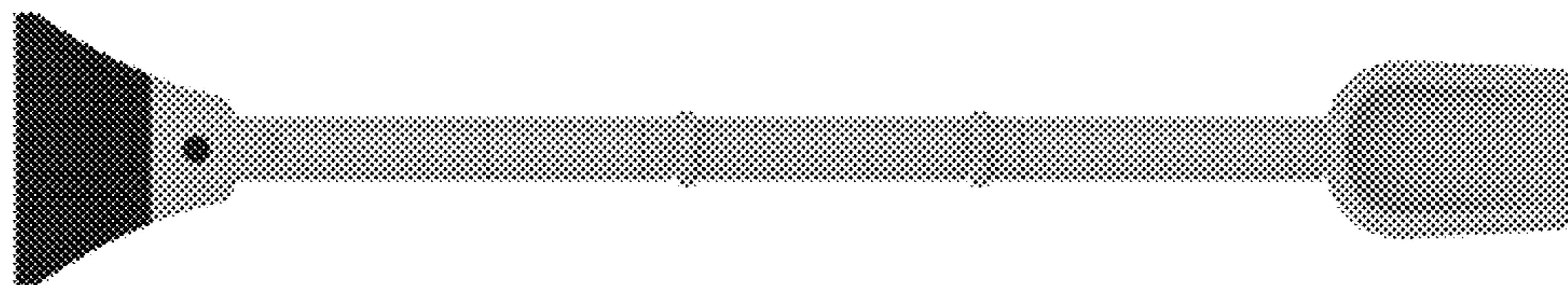


Figure 6

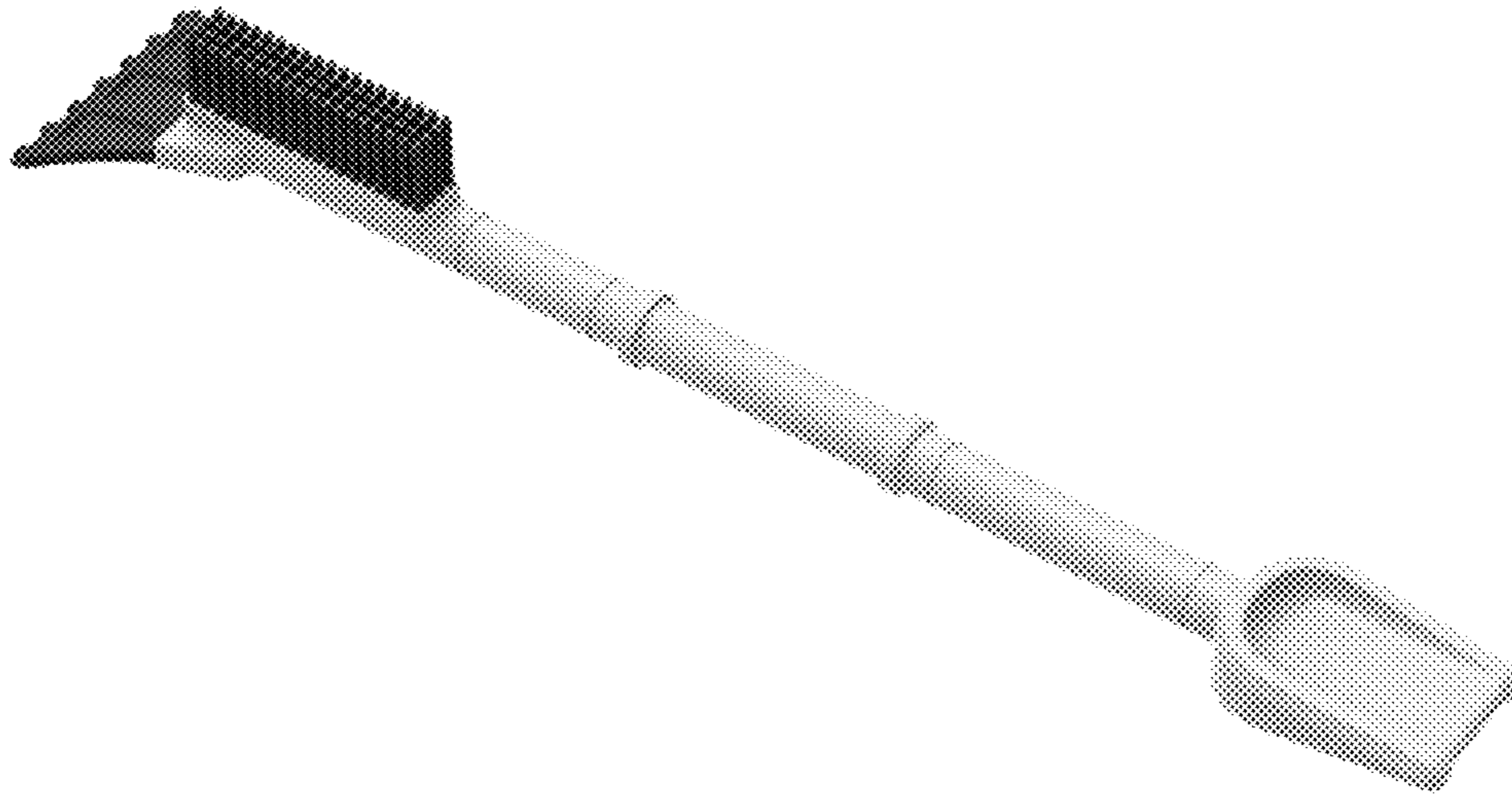


Figure 7