



US00D979250S

(12) **United States Design Patent**  
**Wang**

(10) **Patent No.:** **US D979,250 S**

(45) **Date of Patent:** **\*\* Feb. 28, 2023**

- (54) **ELECTRIC SPIN SCRUBBER**
- (71) Applicant: **Weizhi Wang**, Guangdong (CN)
- (72) Inventor: **Weizhi Wang**, Guangdong (CN)
- (\*\*) Term: **15 Years**

- D750,893 S \* 3/2016 Owen ..... D4/100
  - D764,126 S \* 8/2016 Poon ..... D32/35
  - D825,190 S 8/2018 Hu
  - D836,918 S 1/2019 Exley
  - D838,494 S \* 1/2019 Fischer ..... D4/133
- (Continued)

- (21) Appl. No.: **29/850,334**
- (22) Filed: **Aug. 18, 2022**
- (51) **LOC (14) Cl.** ..... **07-05**
- (52) **U.S. Cl.**  
USPC ..... **D4/102**; D32/17; D32/35
- (58) **Field of Classification Search**  
USPC ..... D32/17-19, 35, 40, 45, 49, 50, 51, 52;  
D4/100, 102, 104, 114, 115, 116, 118,  
D4/120, 127, 128, 130, 132, 133, 137,  
D4/138, 199; D8/61; D23/223  
CPC .... A47L 11/14; A47L 11/282; A47L 11/4036;  
H01L 21/67046; H01L 21/67178  
See application file for complete search history.

FOREIGN PATENT DOCUMENTS

CA 176729 \* 10/2018

OTHER PUBLICATIONS

Raxjult Electric Spin Scrubber, available in Amazon.com, date first available Jun. 22, 2022 [online], [site visited Oct. 5, 2022], Available From the internet URL: [https://www.amazon.com/Electric-Scrubber-Replaceable-Adjustable-Extension/dp/B0B4RQXYDC/ref=asc\\_df\\_B0B4RQXYDC/](https://www.amazon.com/Electric-Scrubber-Replaceable-Adjustable-Extension/dp/B0B4RQXYDC/ref=asc_df_B0B4RQXYDC/) (Year: 2022).\*

*Primary Examiner* — Jennifer Rivard  
*Assistant Examiner* — Jennylou M Binas

(57) **CLAIM**

The ornamental design for an electric spin scrubber, as shown and described.

(56) **References Cited**

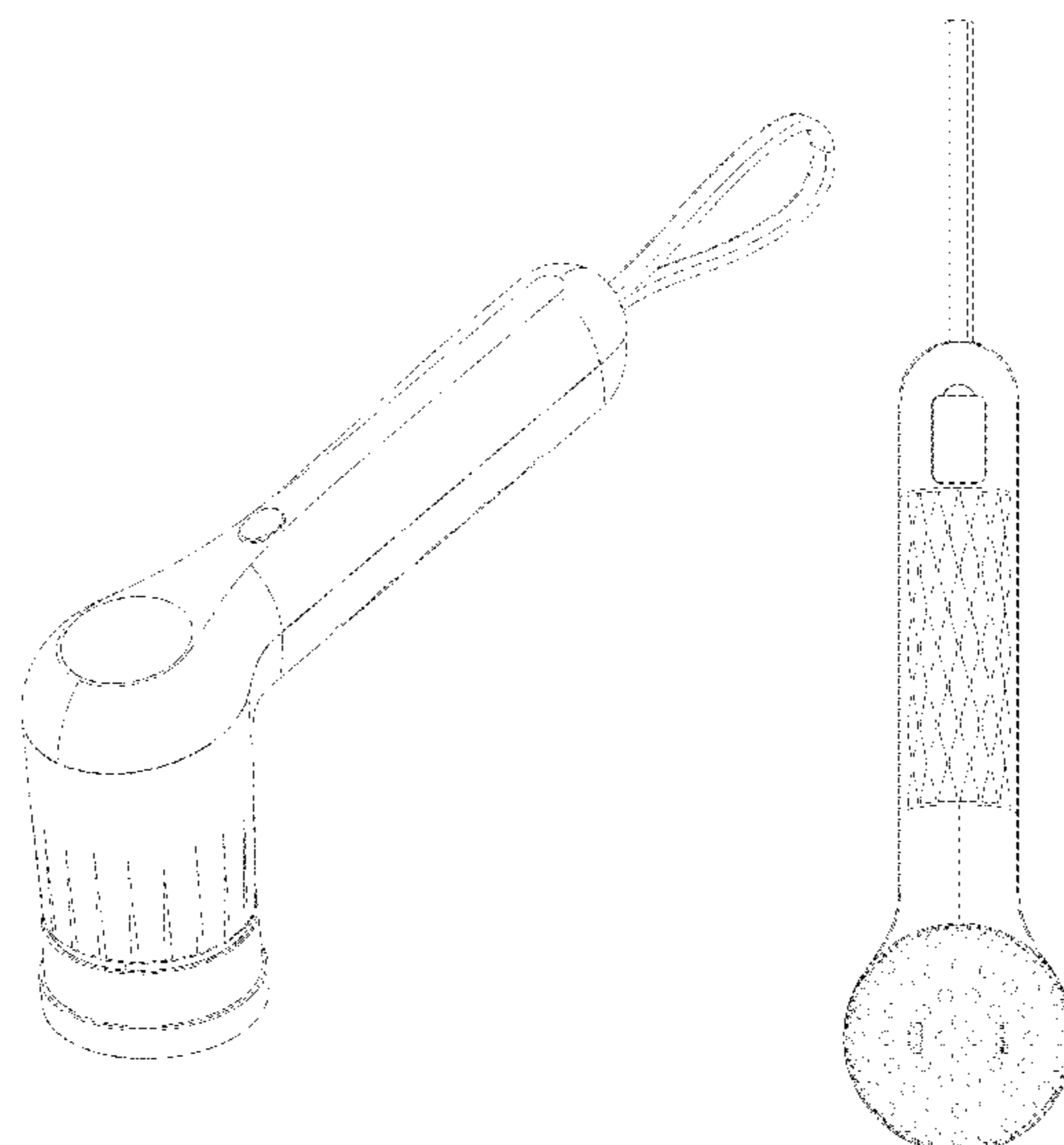
U.S. PATENT DOCUMENTS

- 2,778,043 A \* 1/1957 Arf ..... A47L 23/06  
15/207.2
- D197,458 S \* 2/1964 Bucknell et al. .... D4/115
- D200,092 S \* 1/1965 Polatchek ..... D32/18
- D200,293 S \* 2/1965 Polatchek ..... D4/102
- D226,043 S \* 1/1973 Wolff ..... D24/214
- D241,546 S \* 9/1976 Rizzuto ..... D23/223
- D262,257 S \* 12/1981 Sohn ..... D4/102
- D281,035 S \* 10/1985 Herzfeld ..... D4/102
- D288,892 S \* 3/1987 Osit ..... D7/412
- D354,592 S \* 1/1995 Powers ..... D32/18
- D368,343 S \* 3/1996 Gebhard ..... D4/138
- D409,335 S \* 5/1999 Slater ..... D4/102
- D501,971 S \* 2/2005 Treacy ..... D4/137
- D588,816 S \* 3/2009 Hughes, IV ..... D4/127
- D605,821 S \* 12/2009 Shaanan ..... D32/45
- D612,612 S \* 3/2010 Harris ..... D4/127
- D646,487 S \* 10/2011 Leppla ..... D4/127
- D693,932 S \* 11/2013 Nichols ..... D4/138

**DESCRIPTION**

FIG. 1 is a perspective view of an electric spin scrubber design showing my new design.  
FIG. 2 is a top view of an electric spin scrubber.  
FIG. 3 is a bottom view of an electric spin scrubber.  
FIG. 4 is a left side view of an electric spin scrubber.  
FIG. 5 is a right side view of an electric spin scrubber.  
FIG. 6 is a front view of an electric spin scrubber.  
FIG. 7 is a rear view of an electric spin scrubber; and,  
FIG. 8 is an exploded perspective view of the electric spin scrubber showing an alternative head.  
The broken lines shown in the drawings are for the purpose of illustrating portions of the electric spin scrubber that form no part of the claimed design.

**1 Claim, 8 Drawing Sheets**



(56)

**References Cited**

U.S. PATENT DOCUMENTS

D862,817 S	*	10/2019	Baxter	.....	D32/34
D866,189 S		11/2019	Baxter et al.		
D869,850 S	*	12/2019	Luo	.....	D28/63
D884,356 S	*	5/2020	Jung	.....	D28/9
D908,365 S		1/2021	Liang		
D927,195 S		8/2021	Wei		
D931,616 S		9/2021	Peng		
D932,778 S		10/2021	Jing		
D939,215 S		12/2021	He		
D940,312 S		1/2022	Heine et al.		
D946,837 S	*	3/2022	Zou	.....	D32/17
D955,196 S		6/2022	Zhu		
D961,866 S	*	8/2022	Bae	.....	D32/17

\* cited by examiner

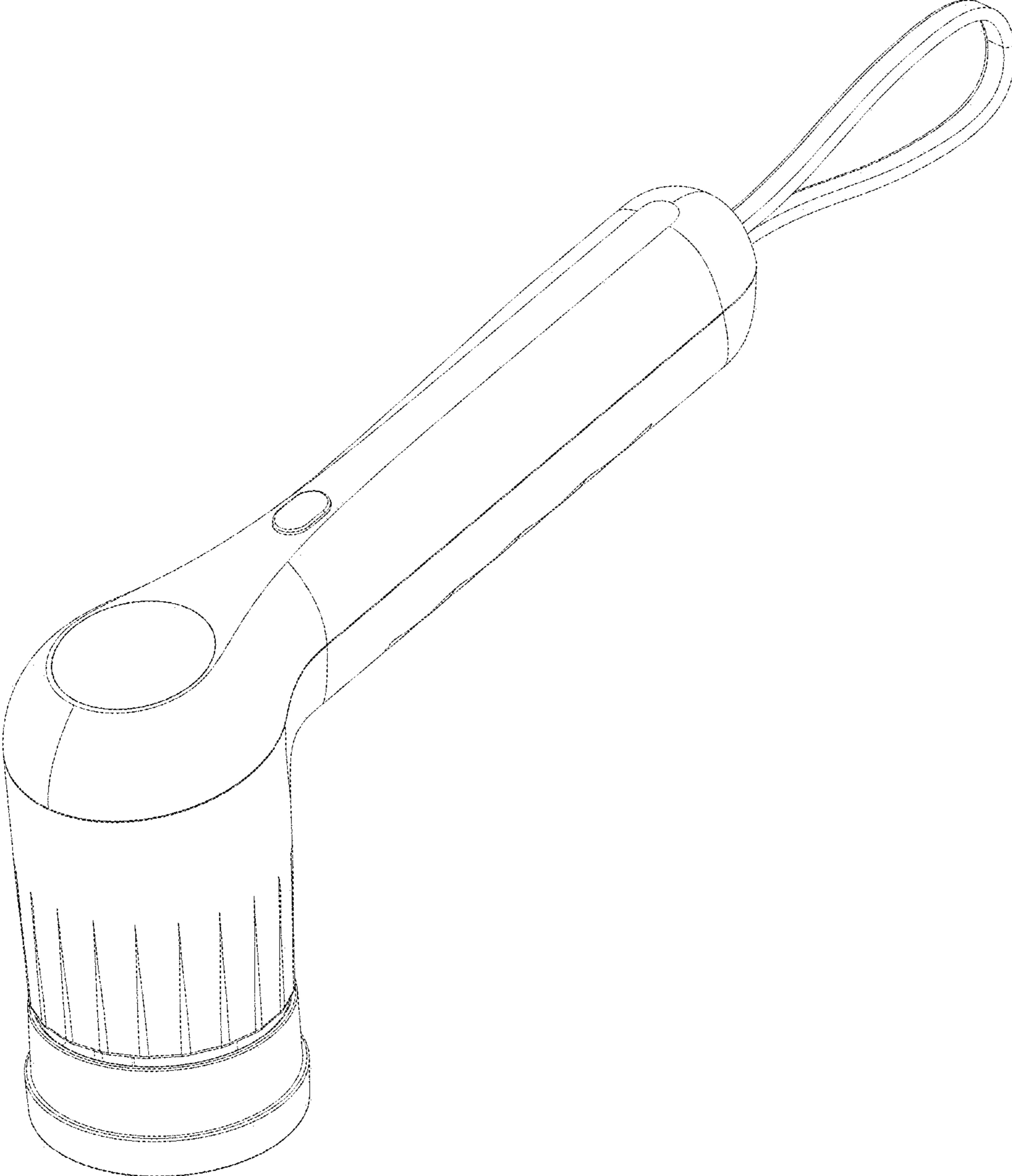


FIG. 1

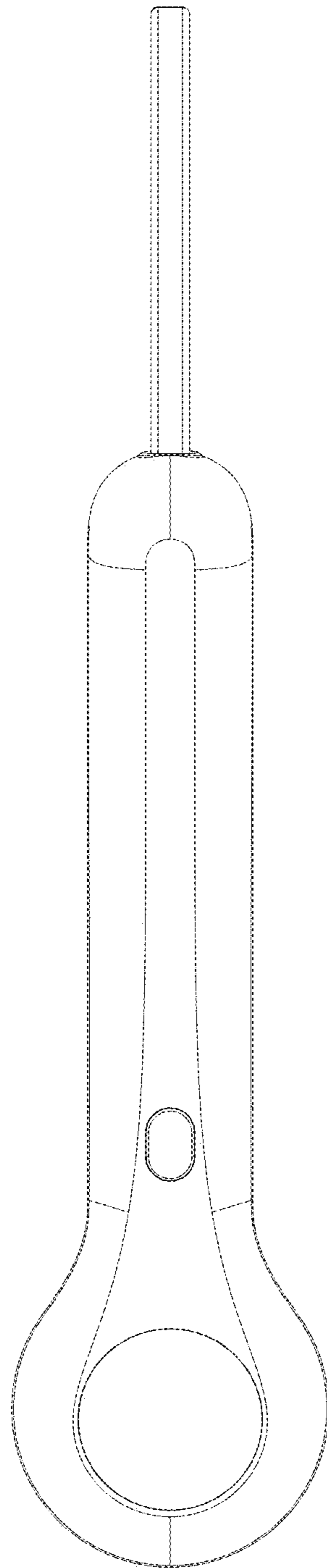


FIG.2

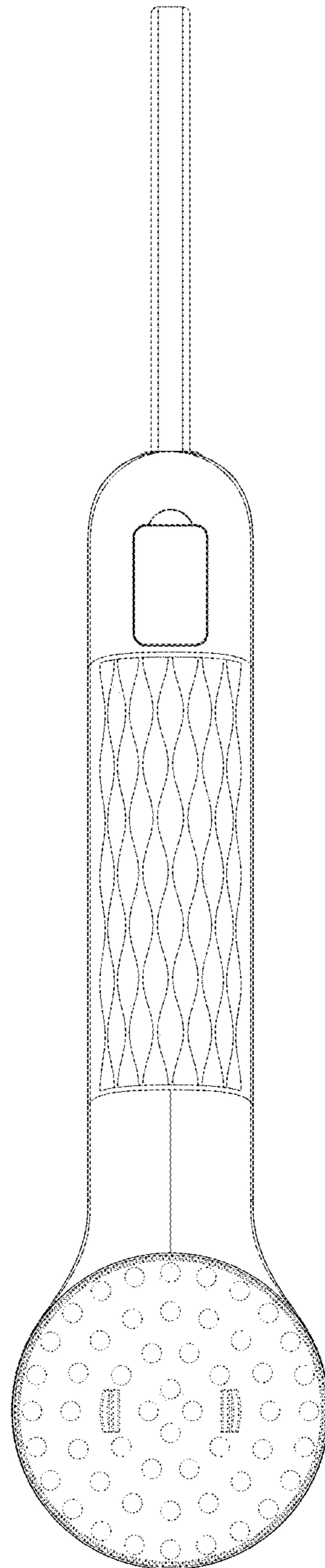


FIG. 3

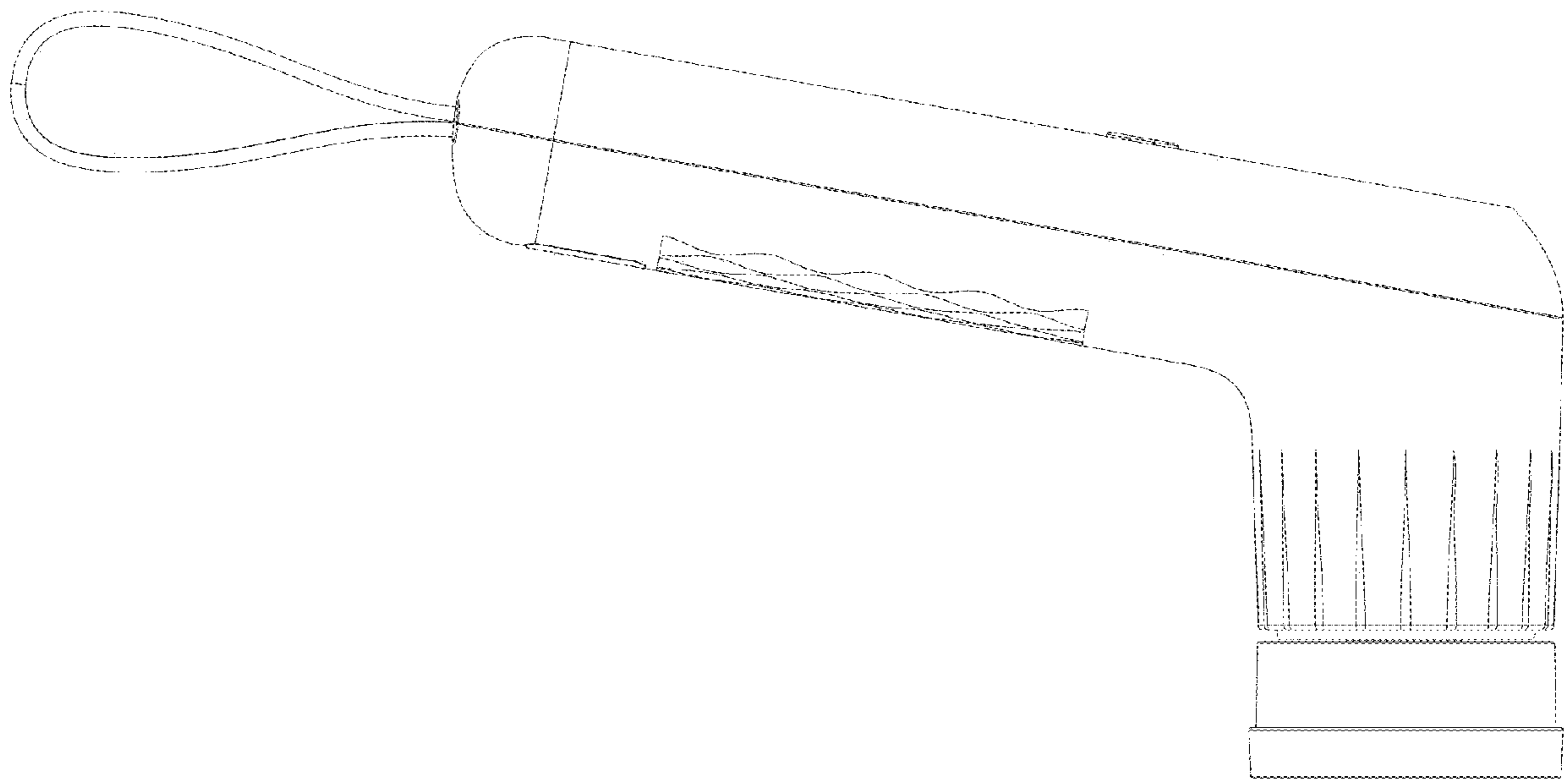


FIG.4

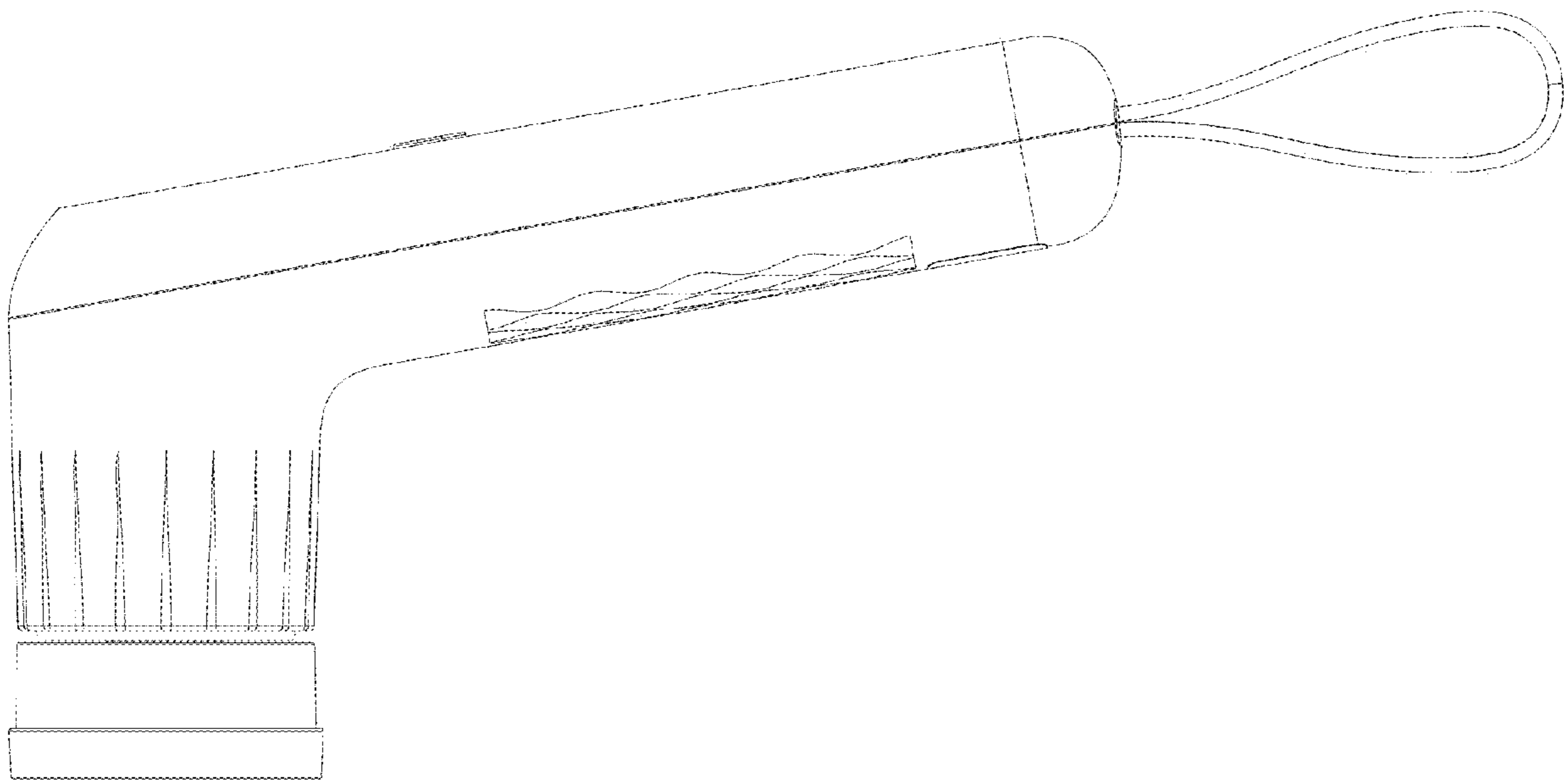


FIG. 5

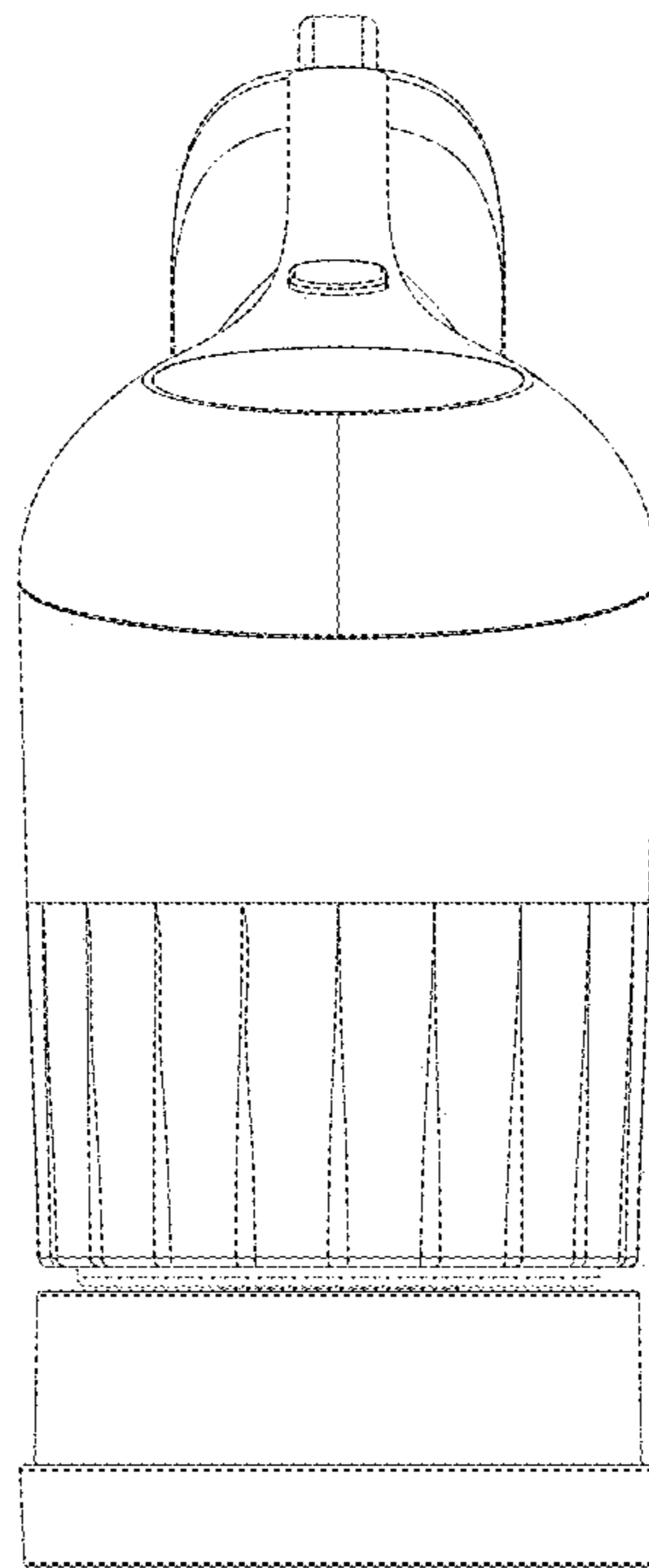


FIG. 6



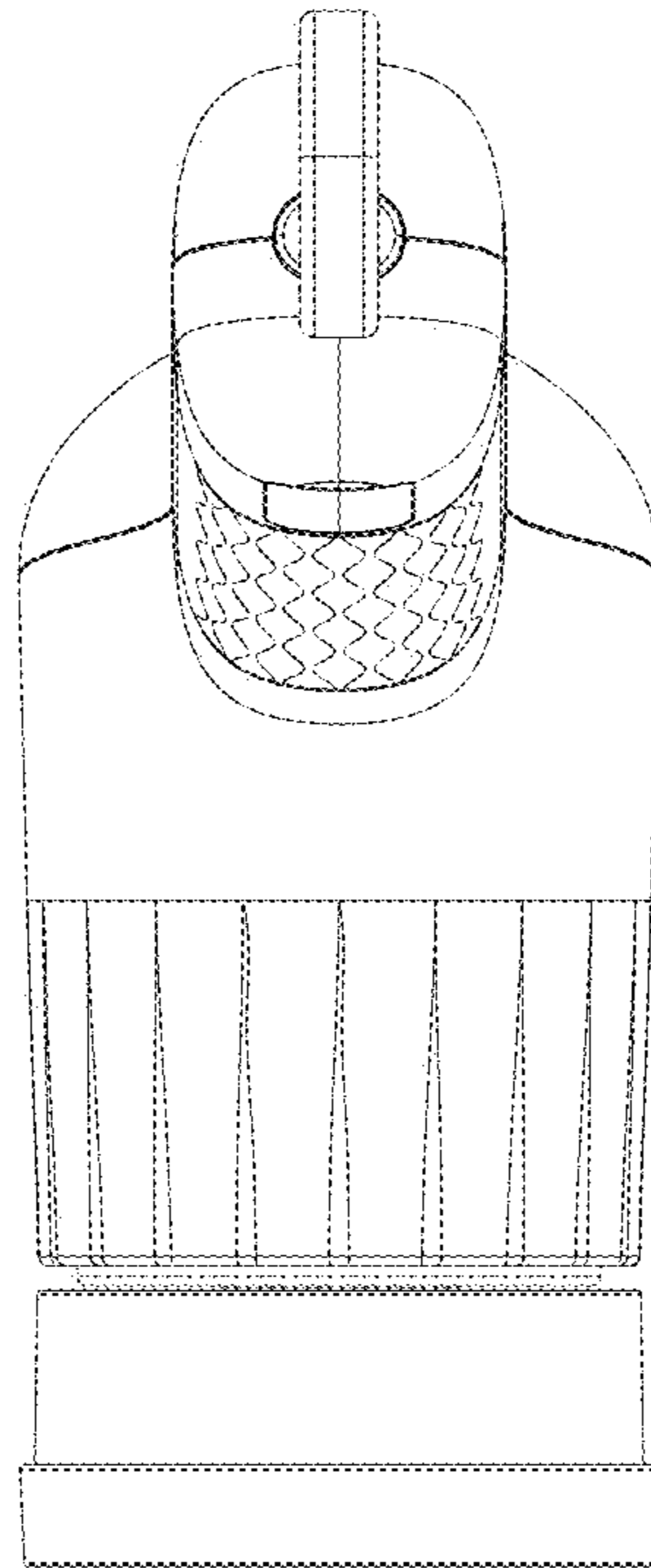


FIG. 7

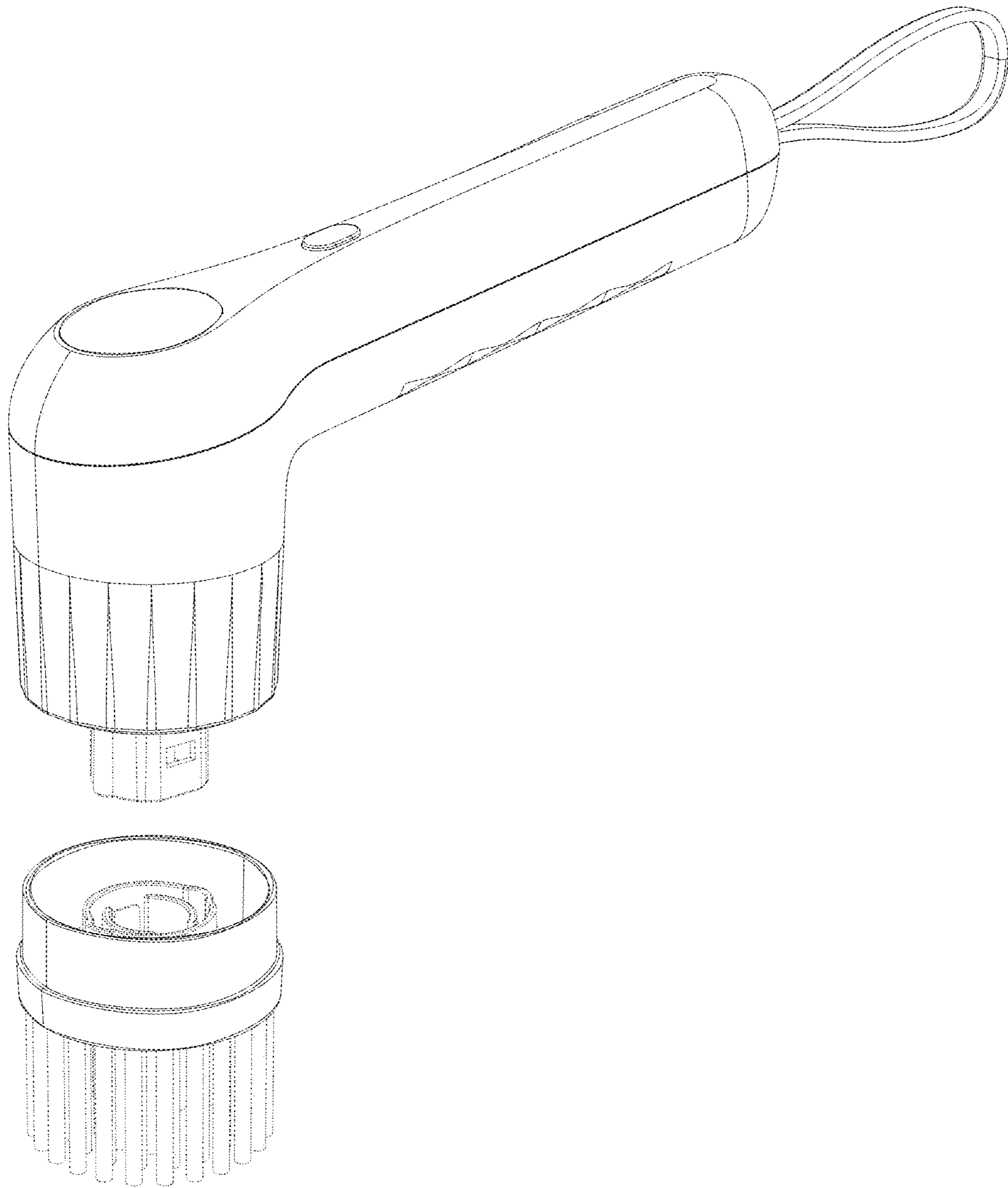


FIG.8