



US00D979246S

(12) **United States Design Patent**
Whitta et al.

(10) **Patent No.:** **US D979,246 S**

(45) **Date of Patent:** **** *Feb. 28, 2023**

(54) **LID WITH RECESSED CENTER PANEL**

(71) Applicant: **CREATIVE PLASTIC CONCEPTS, LLC**, Sycamore, OH (US)

(72) Inventors: **Jacob H. Whitta**, Bluffton, OH (US);
Ben Sayalith, Findlay, OH (US)

(73) Assignee: **CREATIVE PLASTIC CONCEPTS, LLC**, Sycamore, OH (US)

(*) Notice: This patent is subject to a terminal disclaimer.

(**) Term: **15 Years**

(21) Appl. No.: **29/769,819**

(22) Filed: **Feb. 8, 2021**

(51) **LOC (14) Cl.** **03-01**

(52) **U.S. Cl.**
USPC **D3/318; D9/435**

(58) **Field of Classification Search**
USPC D3/201, 273, 318, 319, 323; D7/505, D7/507, 509, 511, 601, 602, 387, 391, D7/392, 396.1, 396.2, 396; D9/723, 724, D9/434, 435, 436, 439, 440, 442, 447, D9/452, 454, 455, 456; D23/206, 238, D23/249, 259, 260; D34/7, 10
CPC B65D 51/28; B65D 41/56; B65D 43/01; B65D 43/0212; B65D 47/08; B65D 21/0213; B65D 1/26; B65D 1/34; B65D 1/36; B65D 21/083; B65D 25/06; B65D 25/2891; B65D 55/16; A47G 19/2211; A47G 19/22; A47G 19/06; A47G 19/2222; A45F 3/16; B67C 11/02
See application file for complete search history.

(56) **References Cited**

U.S. PATENT DOCUMENTS

D103,562 S * 3/1937 Cook D30/129
D257,939 S * 1/1981 Conti D7/391

D260,844 S * 9/1981 Conti D7/391
D271,554 S * 11/1983 Grusin D7/502
D287,573 S * 1/1987 Tyler D7/391
D287,803 S * 1/1987 Daenen D7/392.1
D312,406 S * 11/1990 Tyler D9/452
D330,165 S * 10/1992 Brochu D9/452
D358,767 S * 5/1995 Berggren D9/435
D360,336 S * 7/1995 Bitel, Jr. D7/391

(Continued)

OTHER PUBLICATIONS

Project Source Commnader Large 27 Gallon Black Heavy Duty Tote with Standard Snap Lid: Site Visited [Jun. 16, 2022]. Available from Internet URL: <https://www.lowes.com/pd/COMMANDER-27-Gallon-108-Quart-Black-Yellow-Tote-with-Standard-Snap-Lid/3551290>.*

(Continued)

Primary Examiner — Catherine S Posthauer

(74) *Attorney, Agent, or Firm* — Jacob M. Ward; Ward Law Office LLC

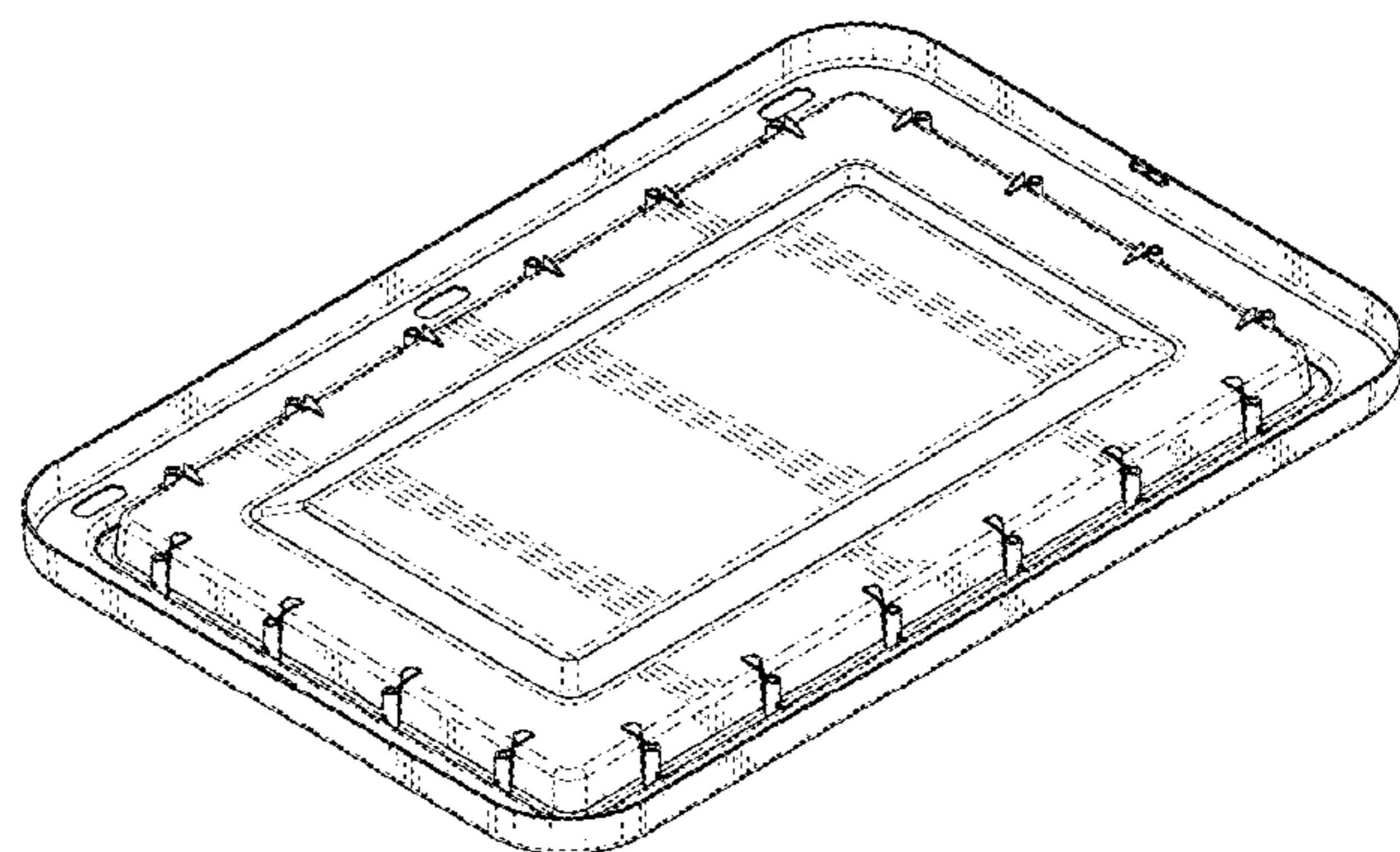
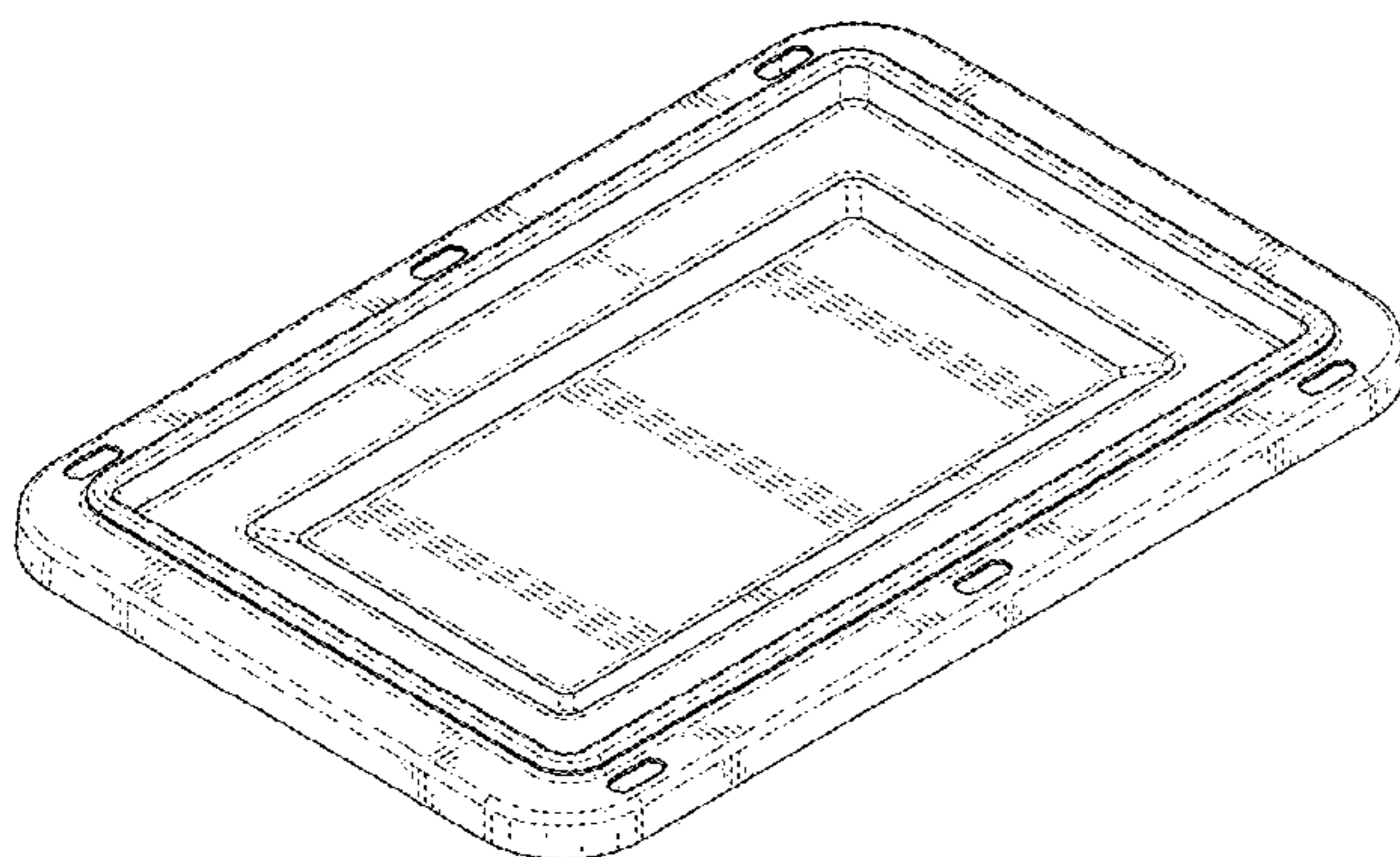
(57) **CLAIM**

The ornamental design for a lid with recessed center panel, as shown and described.

DESCRIPTION

FIG. 1 is a top perspective view of a lid with recessed center panel;
FIG. 2 is a bottom perspective view of the lid with recessed center panel shown in FIG. 1;
FIG. 3 is a top plan view thereof;
FIG. 4 is a bottom plan view thereof;
FIG. 5 is a right side elevational view thereof; and,
FIG. 6 is a front elevational view thereof.
A left side elevational view is not shown because it is a mirror image of the right side elevational view shown in FIG. 5.
A rear side elevational view is not shown because it is a mirror image of the front elevational view shown in FIG. 6.

1 Claim, 3 Drawing Sheets



(56)

References Cited

U.S. PATENT DOCUMENTS

D363,644 S * 10/1995 Wyatt D7/553.6
 D366,395 S * 1/1996 Wyatt D7/552.2
 D435,969 S * 1/2001 Sonntag D3/318
 D489,981 S * 5/2004 Kuipers D9/456
 D571,200 S * 6/2008 Bouveret D9/435
 D582,149 S * 12/2008 Tan D3/218
 D591,555 S * 5/2009 Sanfilippo D7/391
 D597,406 S * 8/2009 Jaworski D9/435
 D598,197 S * 8/2009 Ahlstrom D3/323
 D610,343 S * 2/2010 Mayer D6/524
 D619,000 S * 7/2010 Scheve D9/435
 D631,745 S * 2/2011 Lawrence D9/435
 D648,538 S 11/2011 Reinhart et al.
 D694,575 S * 12/2013 Andres D7/392.1
 D708,951 S * 7/2014 Studt D9/456
 D744,239 S 12/2015 Reinhart
 D744,240 S 12/2015 Reinhart
 D745,826 S * 12/2015 De Tavares Duarte Nogueira
 D9/443
 D765,397 S 9/2016 Reinhart
 D765,407 S 9/2016 Reinahrt
 D765,408 S * 9/2016 Reinhart D3/318
 D765,409 S 9/2016 Reinhart
 D765,410 S 9/2016 Reinhart
 D765,411 S 9/2016 Reinhart
 D766,577 S 9/2016 Reinhart

D773,821 S 12/2016 Reinhart
 D776,932 S 1/2017 Reinhart
 D792,105 S 7/2017 Reinhart
 D816,492 S 5/2018 Reinhart
 D821,808 S * 7/2018 Diner D7/391
 D830,765 S * 10/2018 Croft D7/391
 D830,825 S * 10/2018 McCumber D9/443
 D836,914 S 1/2019 Reinhart
 D838,982 S 1/2019 Reinhart
 D853,844 S * 7/2019 Juillet D3/304
 D856,145 S * 8/2019 Trachtenberg D9/456
 D860,786 S * 9/2019 Lin D9/443
 10,399,748 B2 9/2019 Reinhart
 D878,054 S 3/2020 Reinhart et al.
 10,843,852 B2 11/2020 Reinhart et al.
 10,899,499 B2 1/2021 Reinhart et al.
 2016/0107803 A1 4/2016 Reinhart
 2020/0102135 A1 4/2020 Reinhart et al.
 2021/0047075 A1 2/2021 Reinhart et al.

OTHER PUBLICATIONS

Storage and Organization Plastic Container: Announced [Feb. 2, 2021 (online)]. Site Visited [Jun. 14, 2022], Available from internet URL: <https://www.lowes.com/pd/Project-Source-Project-Source-40-Gallon-Clear-Storage-Tote-with-Wheels/1003091326>.*

* cited by examiner

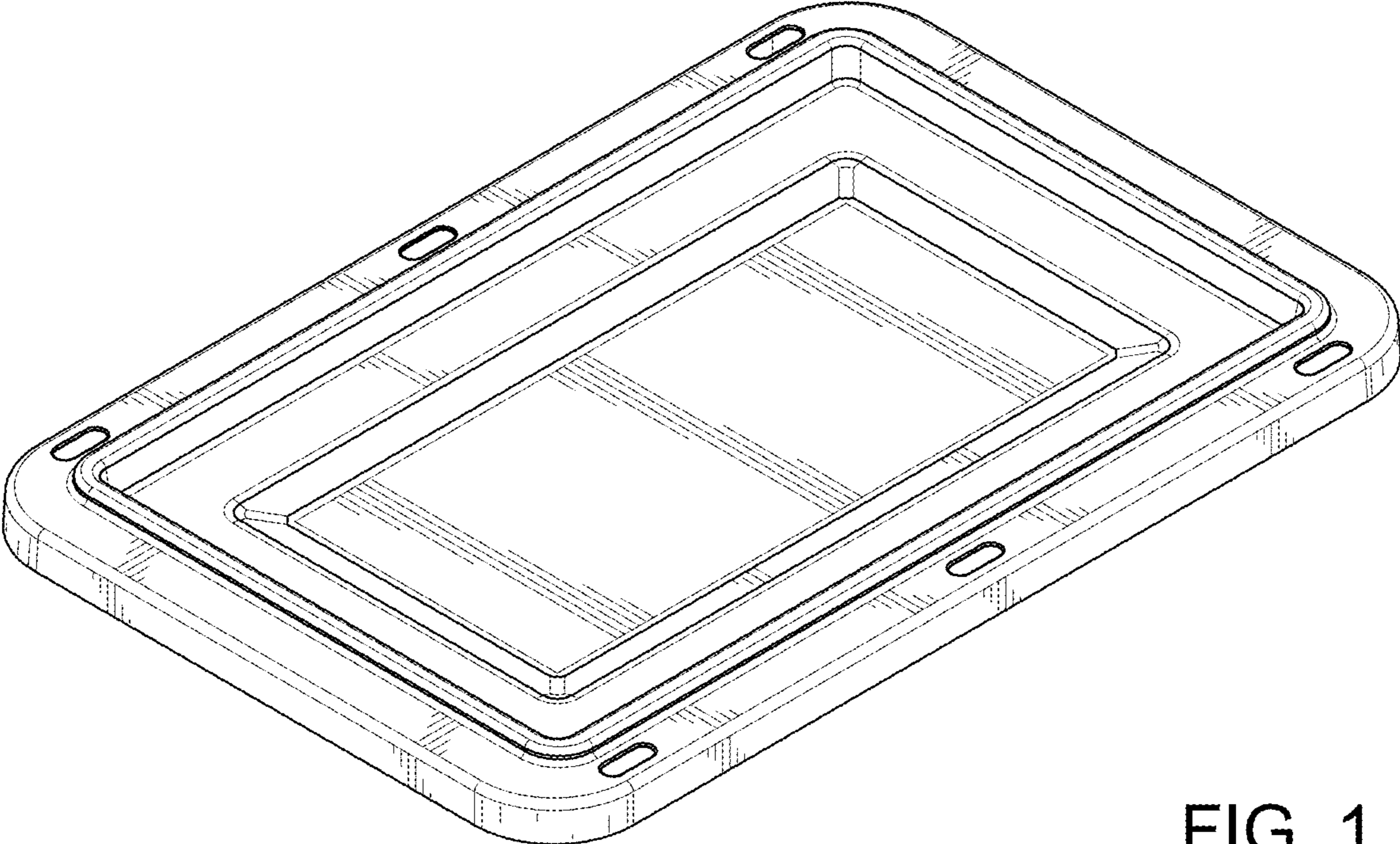


FIG. 1

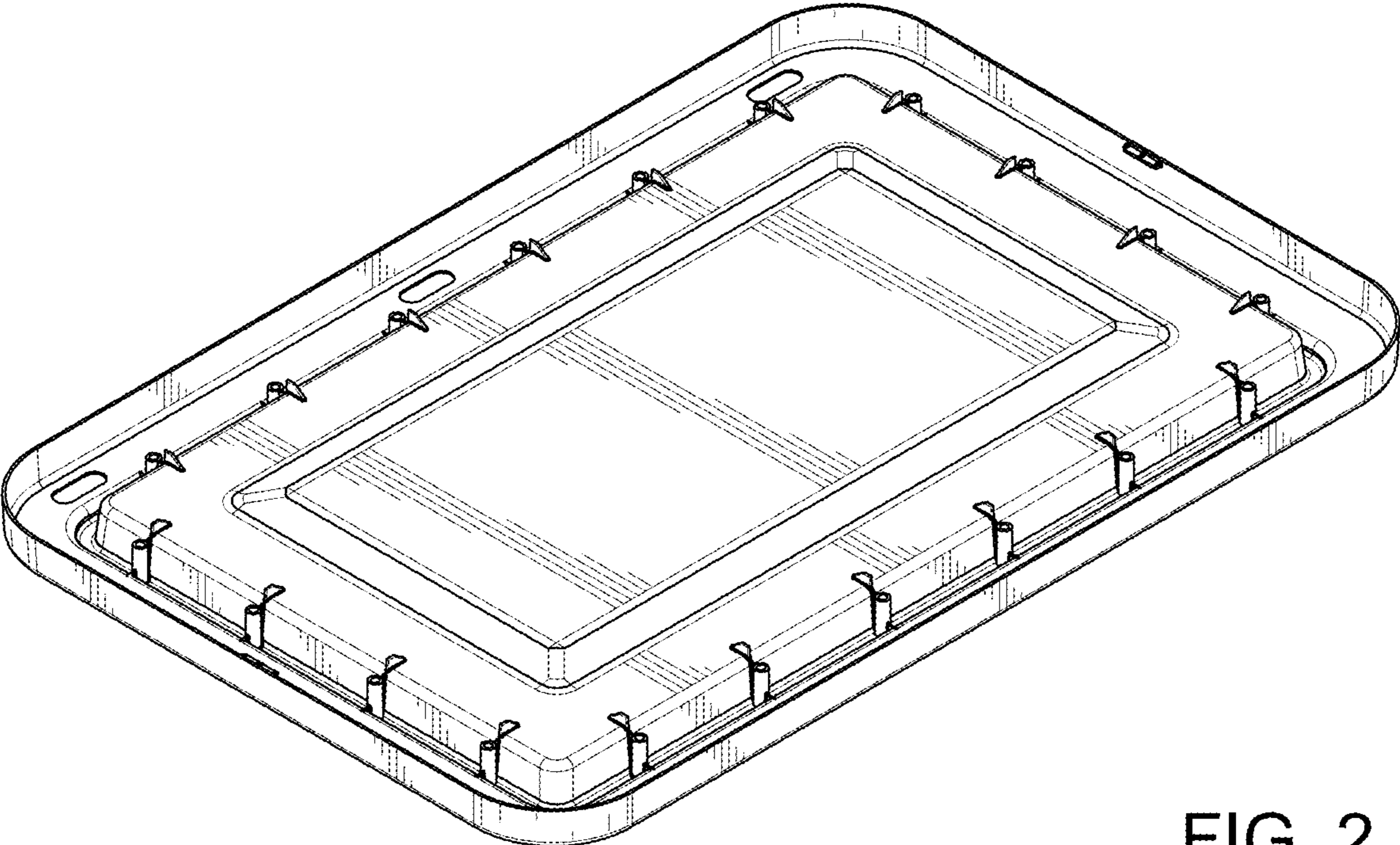


FIG. 2

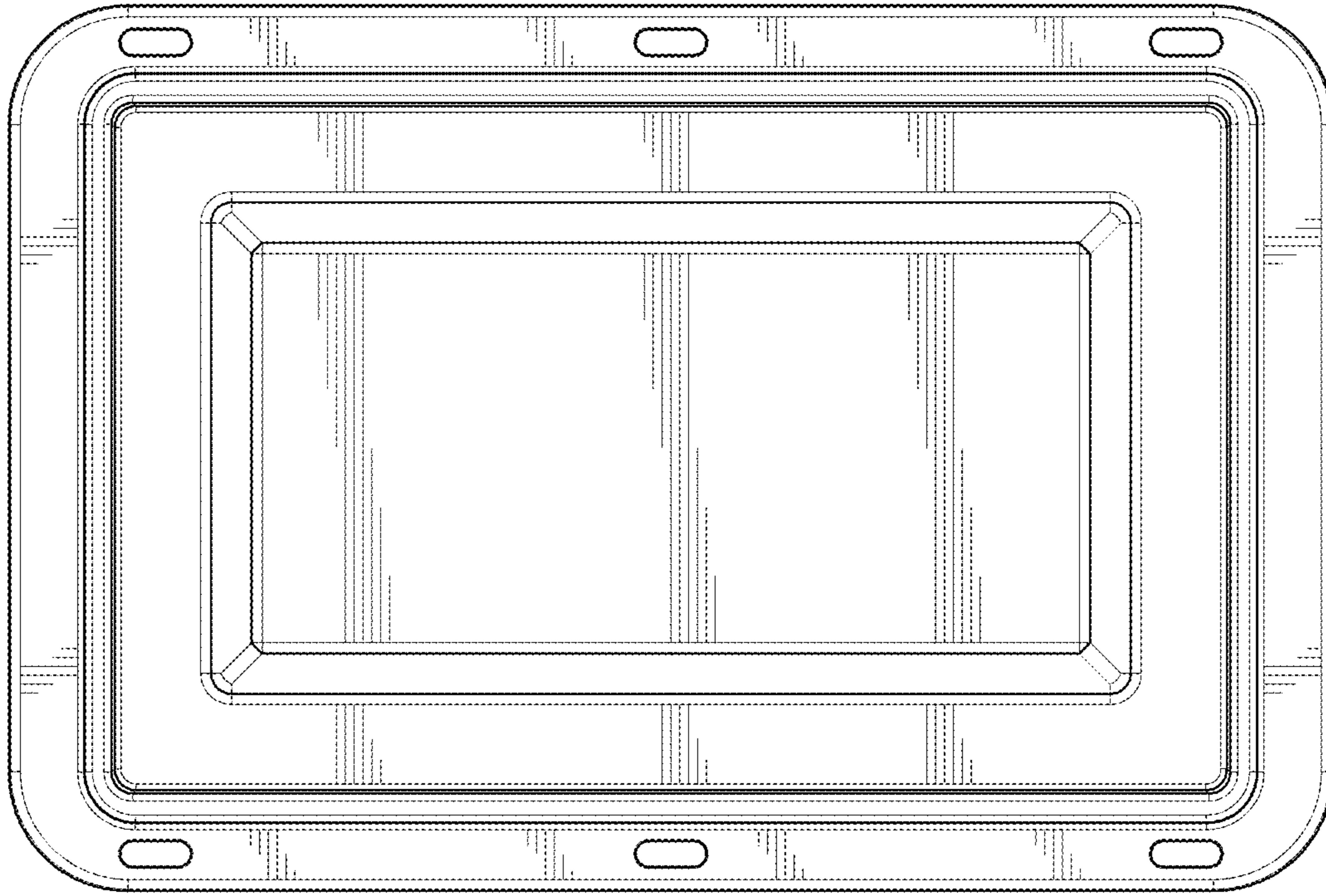


FIG. 3

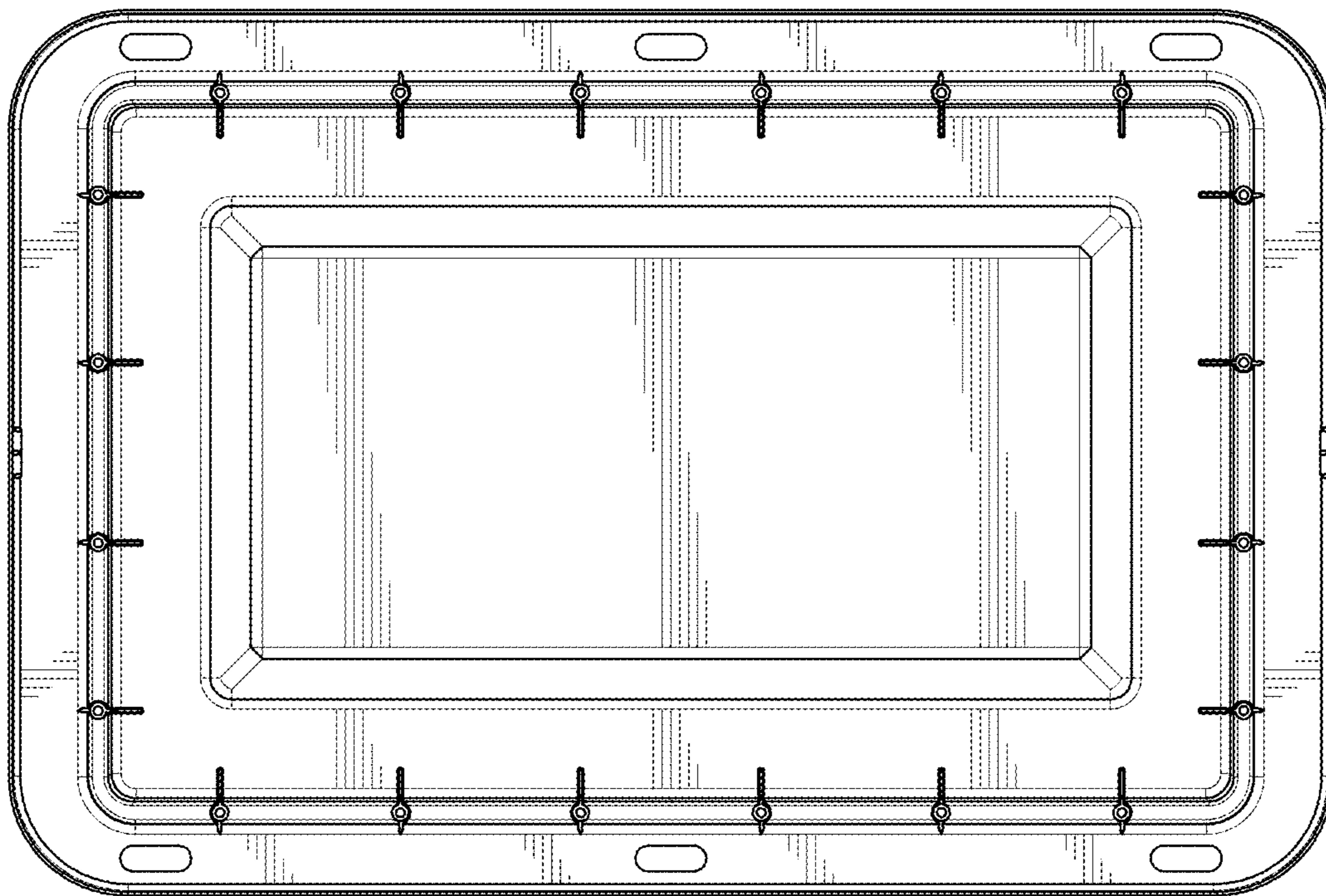


FIG. 4

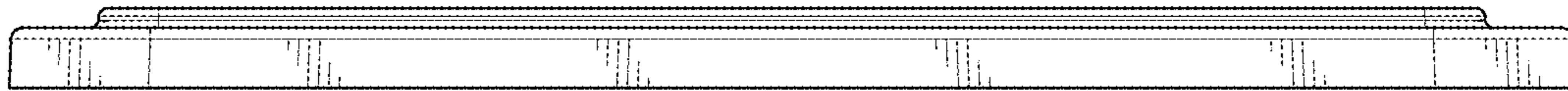


FIG. 5

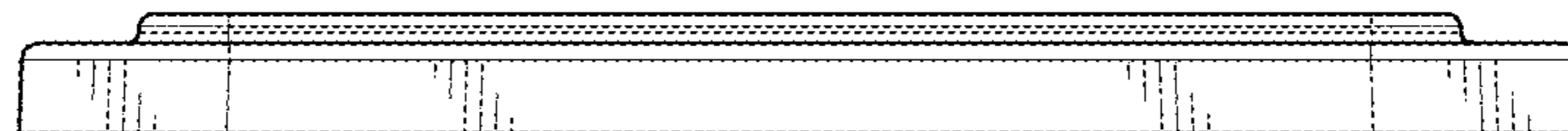


FIG. 6