



US00D979245S

(12) **United States Design Patent**
McBride

(10) **Patent No.:** **US D979,245 S**

(45) **Date of Patent:** **** Feb. 28, 2023**

- (54) **TOTE**
- (71) Applicant: **InterDesign, Inc.**, Solon, OH (US)
- (72) Inventor: **Sara Czukal McBride**, Wickliffe, OH (US)
- (73) Assignee: **InterDesign, Inc.**, Solon, OH (US)
- (**) Term: **15 Years**
- (21) Appl. No.: **29/737,728**
- (22) Filed: **Jun. 11, 2020**
- (51) **LOC (14) Cl.** **03-03**
- (52) **U.S. Cl.**
USPC **D3/313**
- (58) **Field of Classification Search**
USPC D3/232-233, 243-245, 216, 304, 307,
D3/313, 315
CPC A45C 3/00; A45C 3/001; A45C 2003/002;
A45C 7/0059; A45C 11/00; A45C
2200/20; B65D 1/38; B65D 11/00; B65D
11/14; B65D 11/20
See application file for complete search history.

D710,613 S *	8/2014	Kolano	D3/309
D739,654 S *	9/2015	Brouard	D3/276
D763,575 S *	8/2016	Tiscareno-Rippe	D3/315
D775,057 S *	12/2016	Meckler	D12/407
D869,847 S *	12/2019	Huebner	D3/315
D923,961 S *	7/2021	Emerson	D6/525
D959,835 S *	8/2022	Zuo	D3/307
D963,335 S *	9/2022	Martin	D3/276

* cited by examiner

Primary Examiner — Kelley A Donnelly

(74) *Attorney, Agent, or Firm* — Calfee, Halter & Griswold LLP

(57) **CLAIM**

I claim the ornamental design for a tote, as shown and described.

DESCRIPTION

FIG. 1 is a front/right/top perspective view of a tote (a front/left/top perspective view would be a mirror image thereof, except for the contents, which are disclaimed); FIG. 2 is another front/right/top perspective view thereof at a different angle (a front/left/top perspective view would be a mirror image thereof, except for the contents, which are disclaimed); and, FIG. 3 is a partial front/right/top perspective view thereof at a different angle.

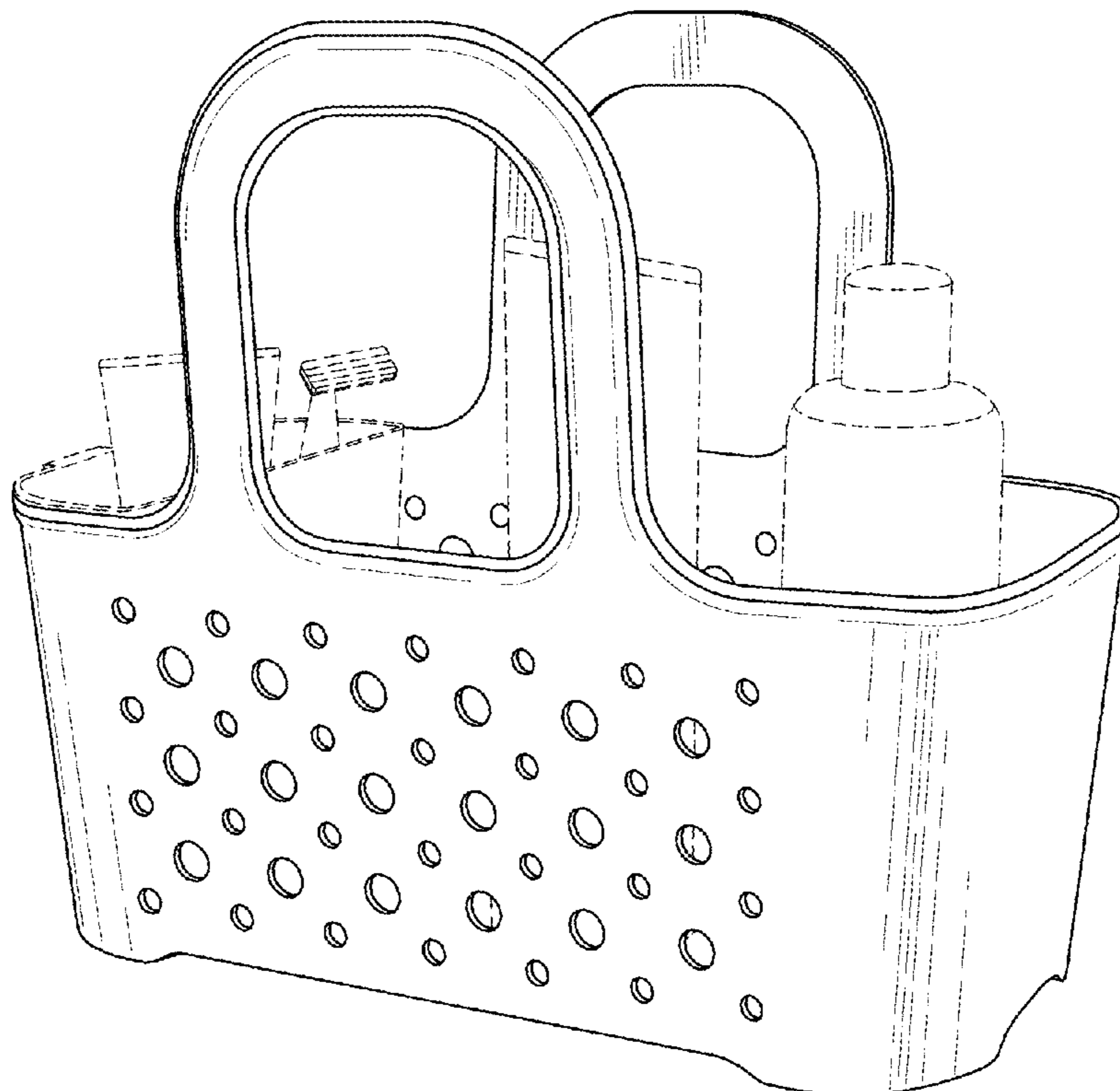
The broken lines showing is included for the purpose of illustrating environment and forms no part of the claimed design.

1 Claim, 3 Drawing Sheets

(56) **References Cited**

U.S. PATENT DOCUMENTS

D421,323 S *	2/2000	Douglas	D32/37
D531,402 S *	11/2006	Sofy	D3/235
D584,507 S *	1/2009	Brazzell	D3/238
D590,156 S *	4/2009	de Vries-Peters	D3/303
D683,137 S *	5/2013	Davis	D3/315



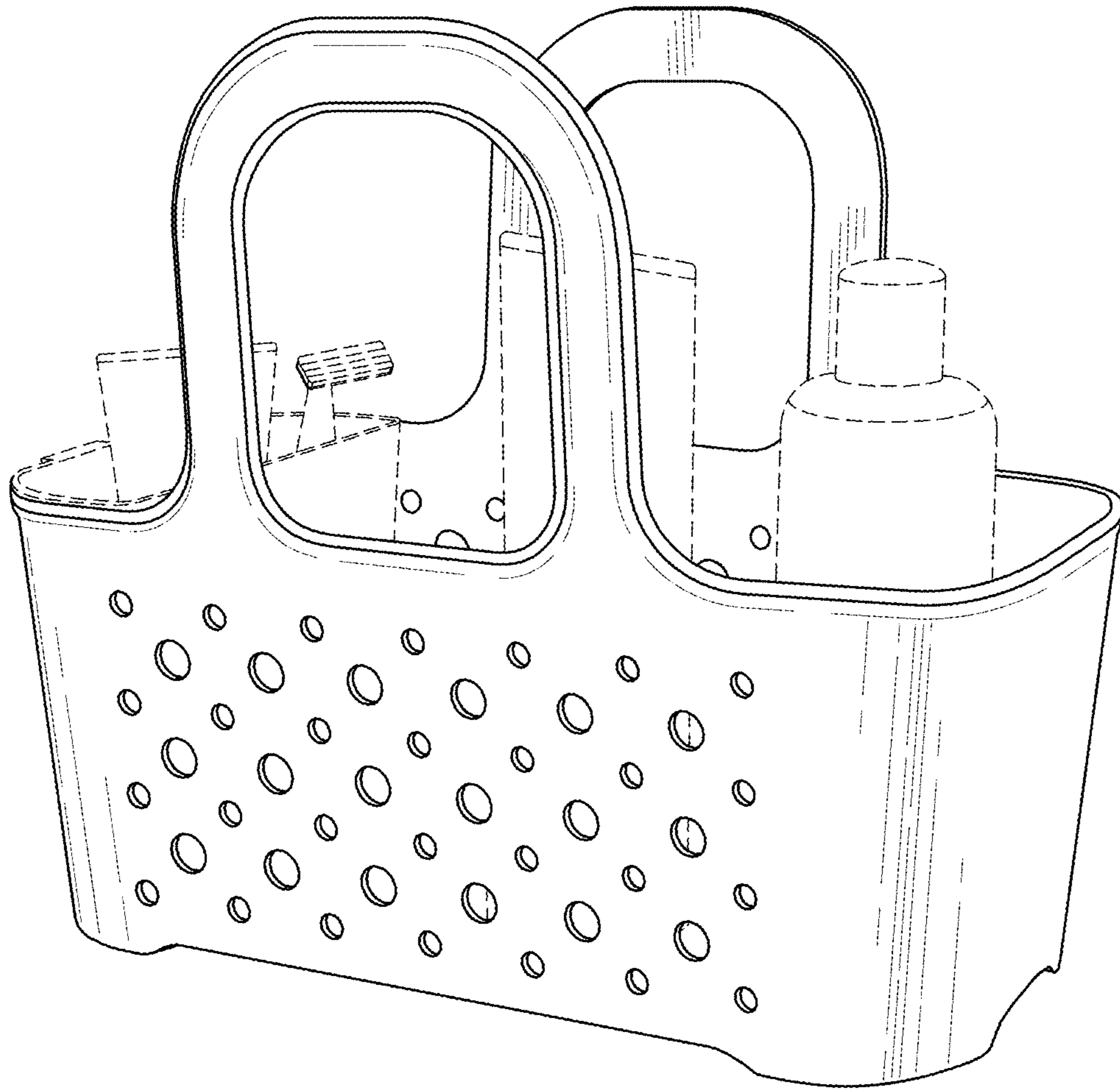


FIG. 1

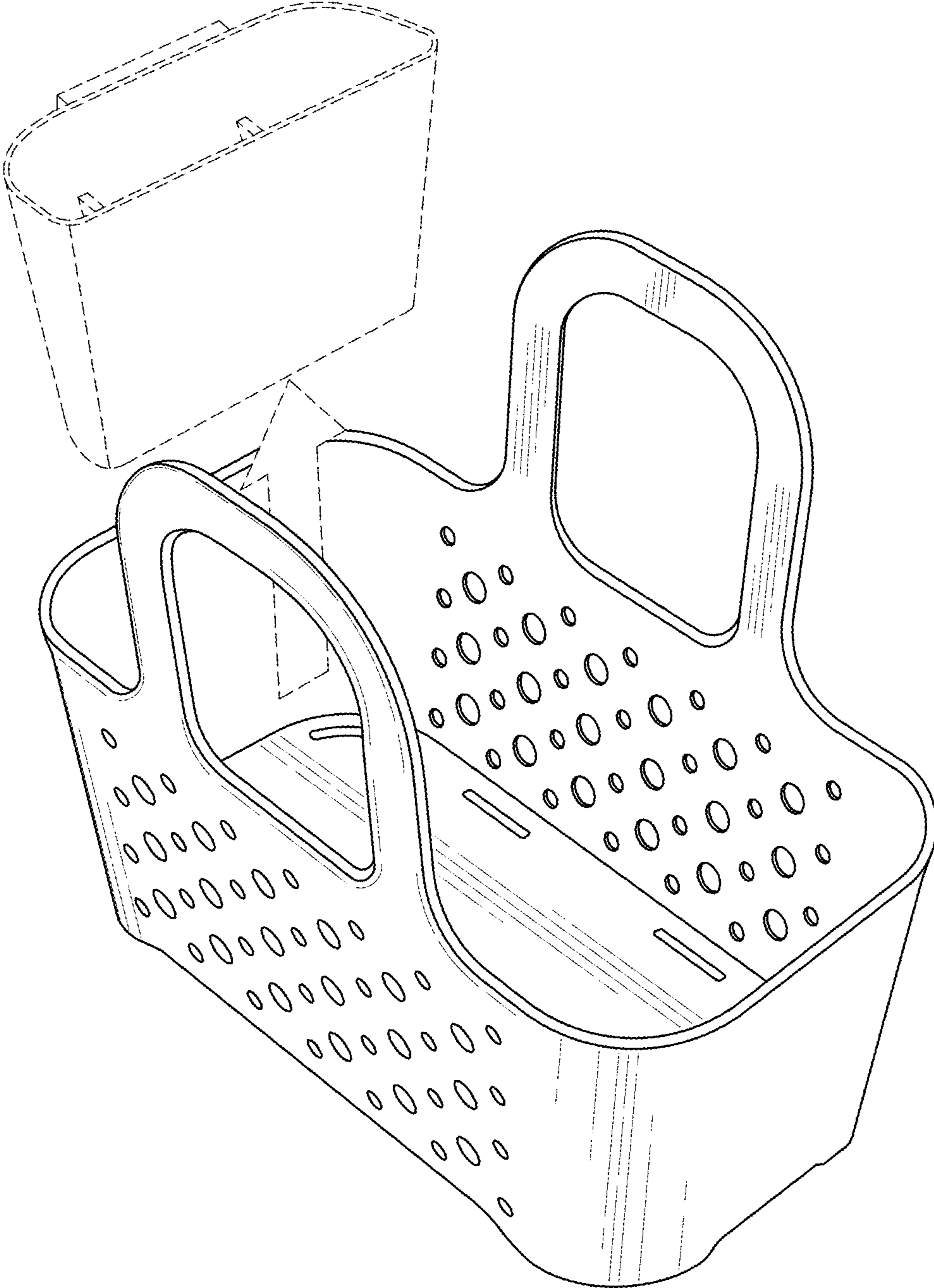


FIG. 2

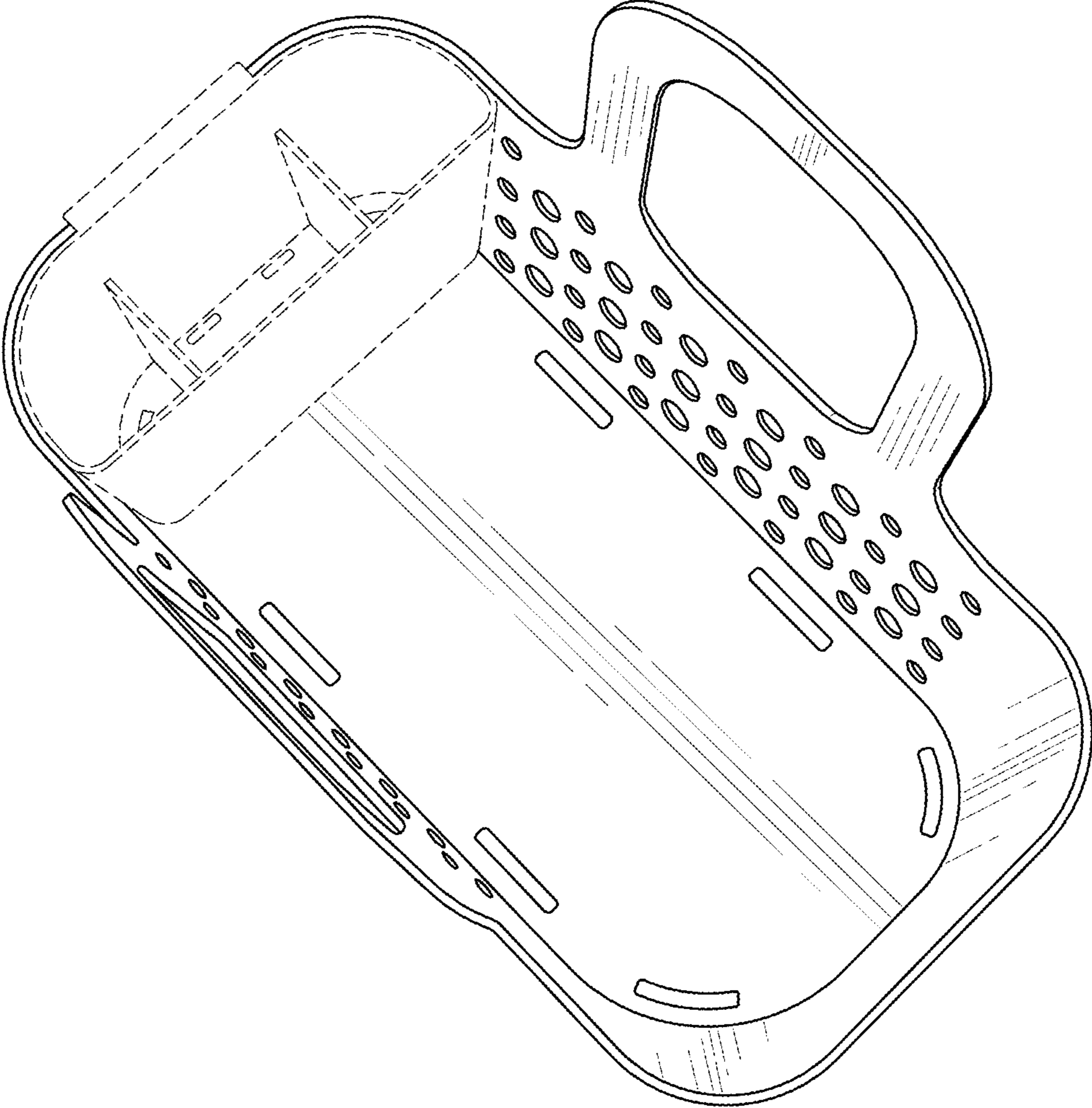


FIG. 3