



US00D979244S

(12) **United States Design Patent**
Luo

(10) **Patent No.:** **US D979,244 S**
(45) **Date of Patent:** **** Feb. 28, 2023**

(54) **BAG**

(71) Applicant: **Xiamen Silide Industry and Trade Co., Ltd.**, Xiamen (CN)

(72) Inventor: **Tingjin Luo**, Ninghua County (CN)

(**) Term: **15 Years**

(21) Appl. No.: **29/848,954**

(22) Filed: **Aug. 7, 2022**

(51) **LOC (14) Cl.** **03-01**

(52) **U.S. Cl.**
USPC **D3/289**; D3/232

(58) **Field of Classification Search**
USPC D3/201, 210, 215–218, 221–222,
D3/224–228, 230–233, 242–246, 254,
D3/273, 289–290, 301, 303, 318,
D3/321–323; D7/709; D9/702–714, 719,
D9/738–740, 517, 518, 522, 416, 435,
D9/444, 460, 455, 414, 499, 431–432
CPC ... A45C 2003/007; A45C 13/18; A45C 13/24;
A45C 13/126; A45C 13/149; A45C
13/185; A45C 1/04; A45C 1/06; A45C
11/182; A45C 2001/062; A45C 2001/065;
A45C 2001/067; A45C 2001/186; A45F
3/04; A45F 3/042; A45F 3/047; A45F
3/08; A45F 3/10; A45F 3/14; A45F 5/02;
H04M 1/72409; G06F 1/1626; F28F
21/00
See application file for complete search history.

D412,787 S * 8/1999 Young D3/217
D472,380 S * 4/2003 Hillman D3/273
D508,320 S 8/2005 Holland et al.
D534,352 S * 1/2007 Delafontaine D3/246
D602,688 S * 10/2009 Smith D3/243
D637,809 S 5/2011 Meldeau
D764,791 S * 8/2016 Patel D3/232
D765,395 S 9/2016 Sanz
D783,371 S 4/2017 Burton et al.
D830,686 S * 10/2018 Rogers D3/217
D861,335 S 10/2019 Barlier
D885,760 S * 6/2020 Whitfield D3/905
D893,183 S * 8/2020 Eisenhardt D3/289

(Continued)

Primary Examiner — Mary Shannon Malley
Assistant Examiner — Christopher John Suarez La Rosa
(74) *Attorney, Agent, or Firm* — Xiaofang Zhong

(57) **CLAIM**

The ornamental design for a bag, as shown and described.

DESCRIPTION

FIG. 1 is a perspective view of a bag showing my new design;
FIG. 2 is another perspective view of the bag thereof;
FIG. 3 is another perspective view of the bag thereof, shown with the covers opened;
FIG. 4 is a front elevational view thereof;
FIG. 5 is a rear elevational view thereof;
FIG. 6 is a top plan view thereof;
FIG. 7 is a bottom plan view thereof;
FIG. 8 is a left view thereof;
FIG. 9 is a right view thereof; and,
FIG. 10 is an enlarged view of a portion labeled as 10 on FIG. 1.

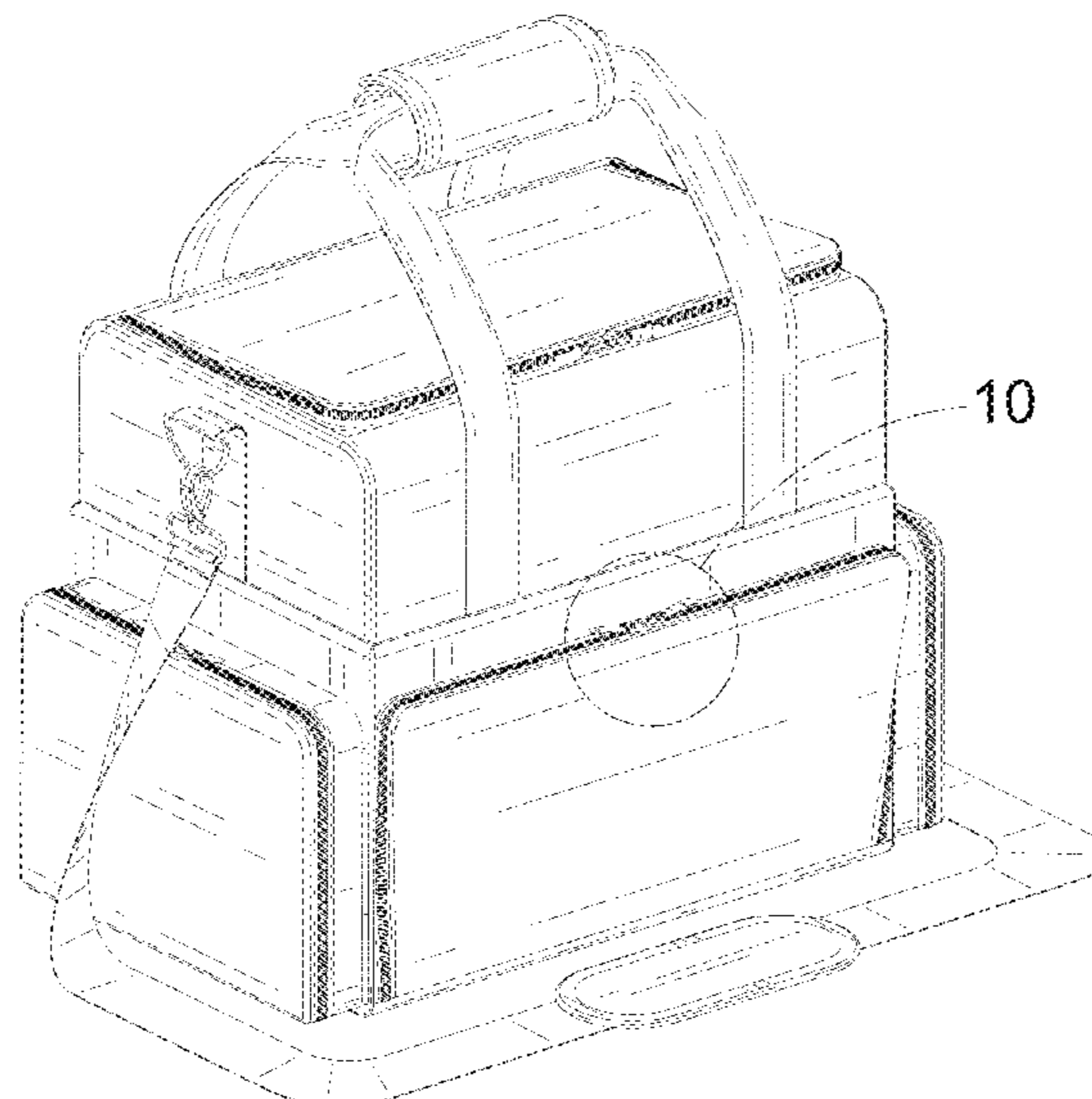
The broken lines depict portions of the bag that form no part of the claimed design. The long dash—short dash broken lines in FIGS. 1 and 10 represent the bounds of an enlargement taken from FIG. 1 and form no part of the claimed design.

1 Claim, 10 Drawing Sheets

(56) **References Cited**

U.S. PATENT DOCUMENTS

3,122,225 A * 2/1964 Ward A45C 7/0063
D3/902
D314,470 S 2/1991 Hutchins
D363,600 S * 10/1995 Medlen D3/254
D376,044 S * 12/1996 Trawick D3/289
D411,664 S 6/1999 Latshaw



(56)

References Cited

U.S. PATENT DOCUMENTS

D915,770 S	4/2021	Barlier	
D938,722 S *	12/2021	Tan	D3/301
D940,462 S	1/2022	Koenig	
D964,123 S *	9/2022	Peng	D7/709

* cited by examiner

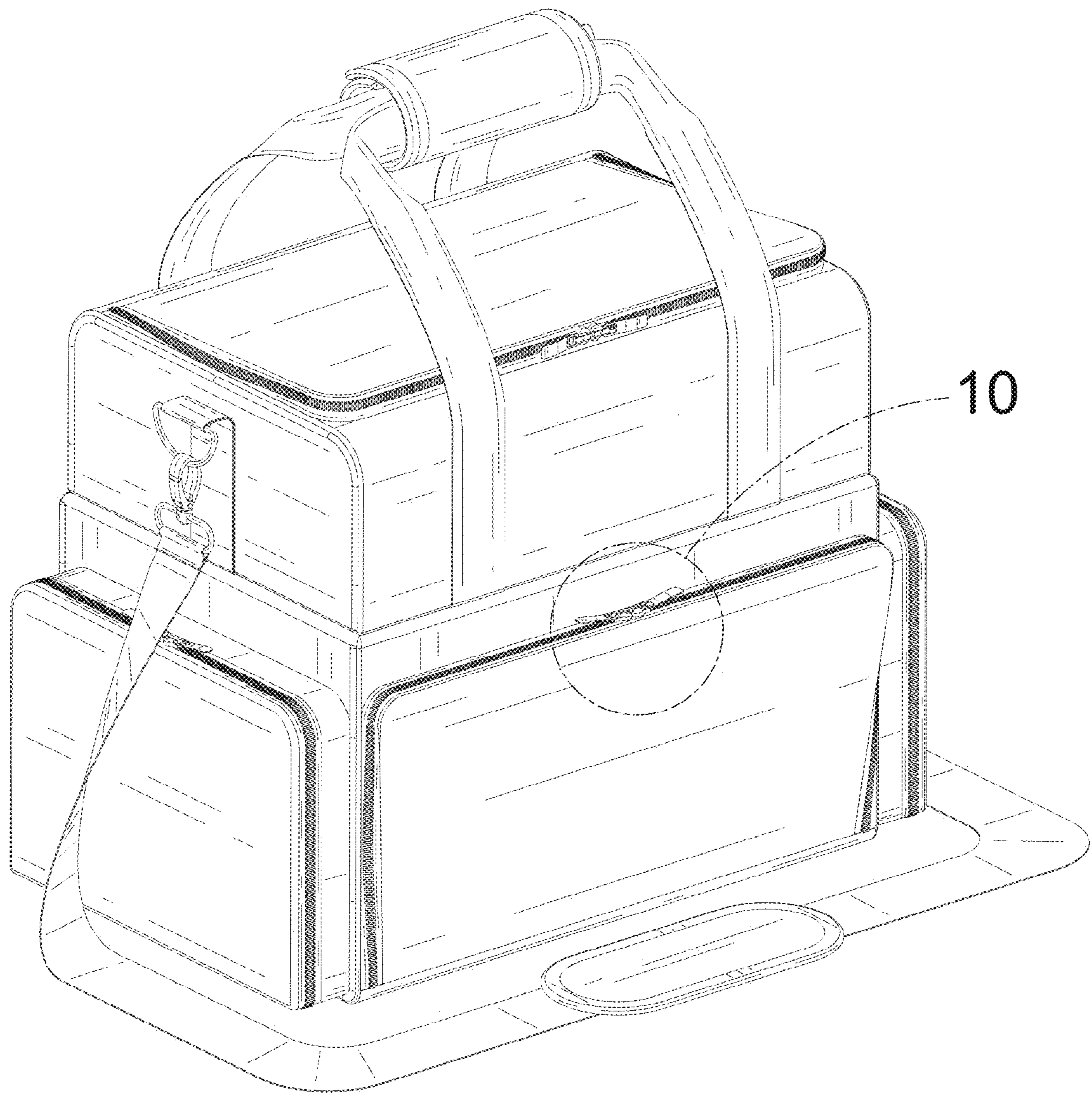


FIG. 1

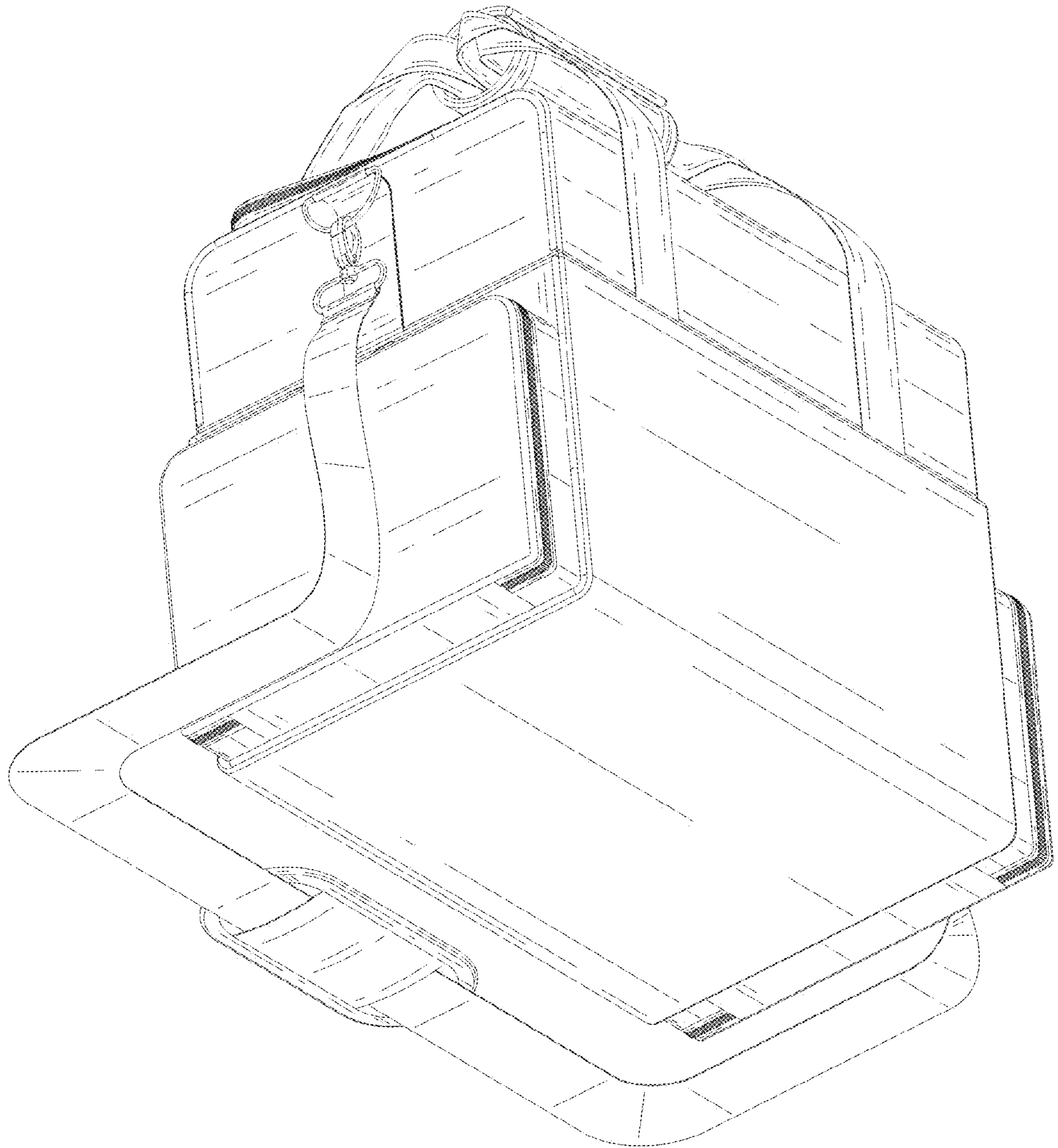


FIG. 2

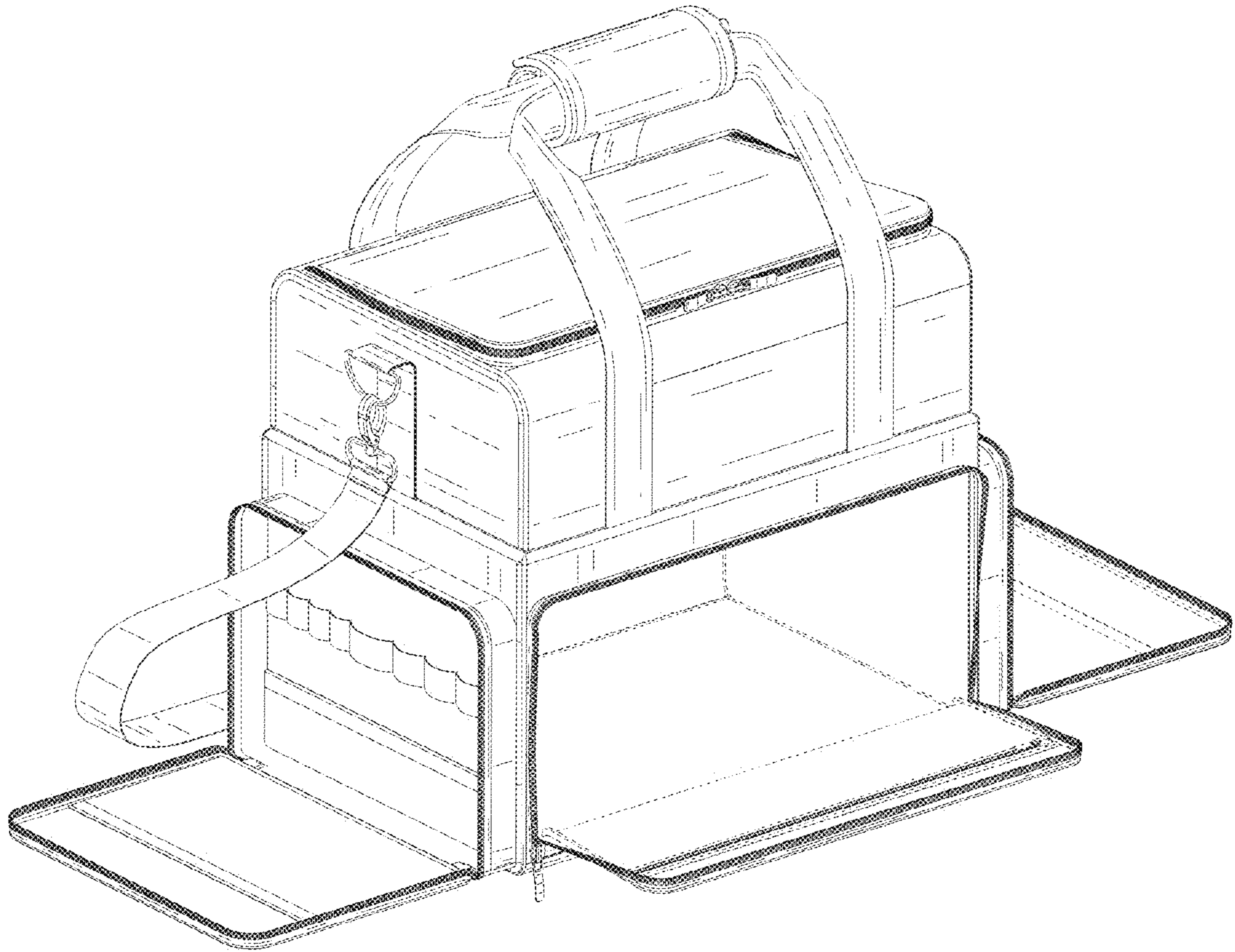


FIG. 3

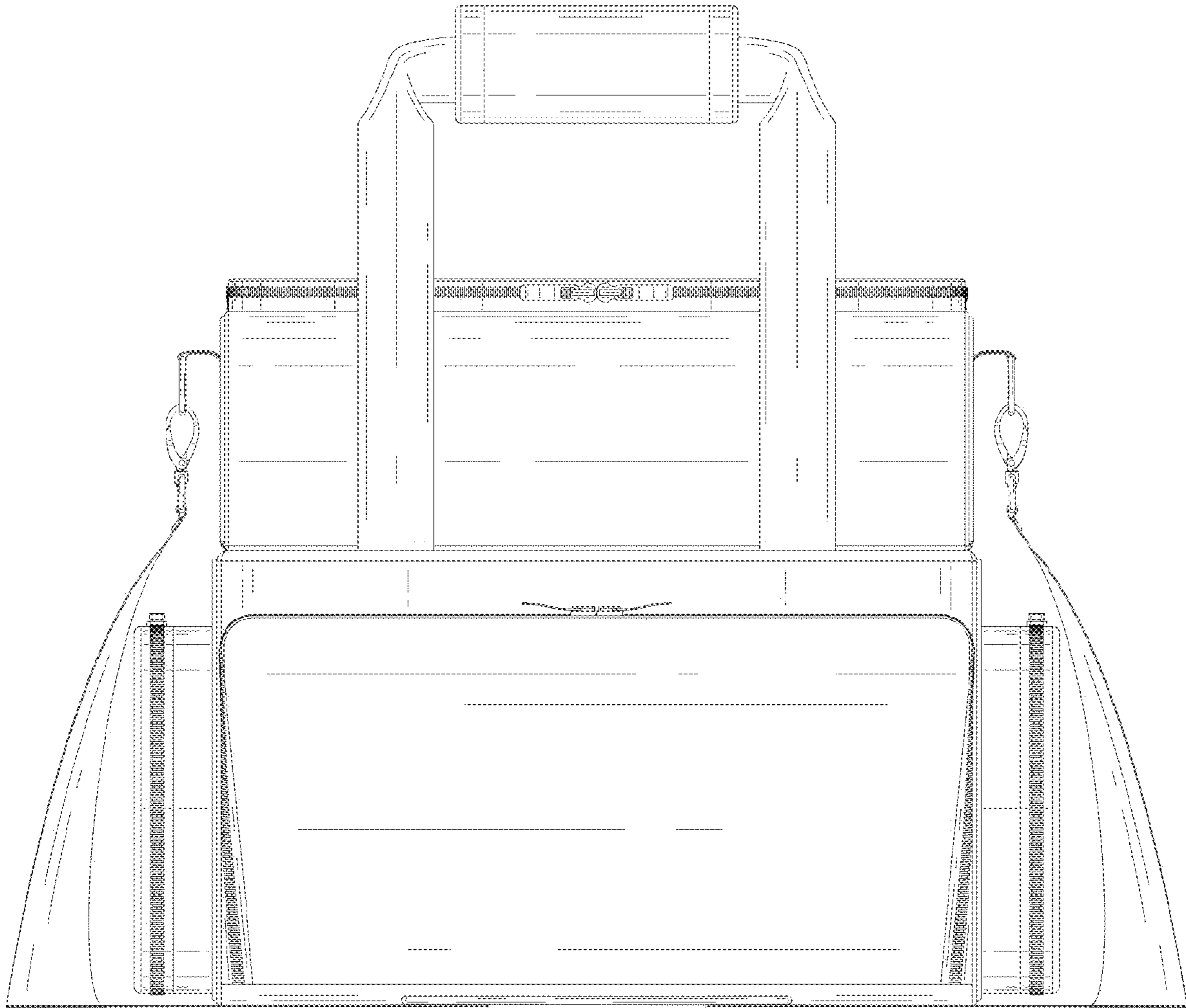


FIG. 4

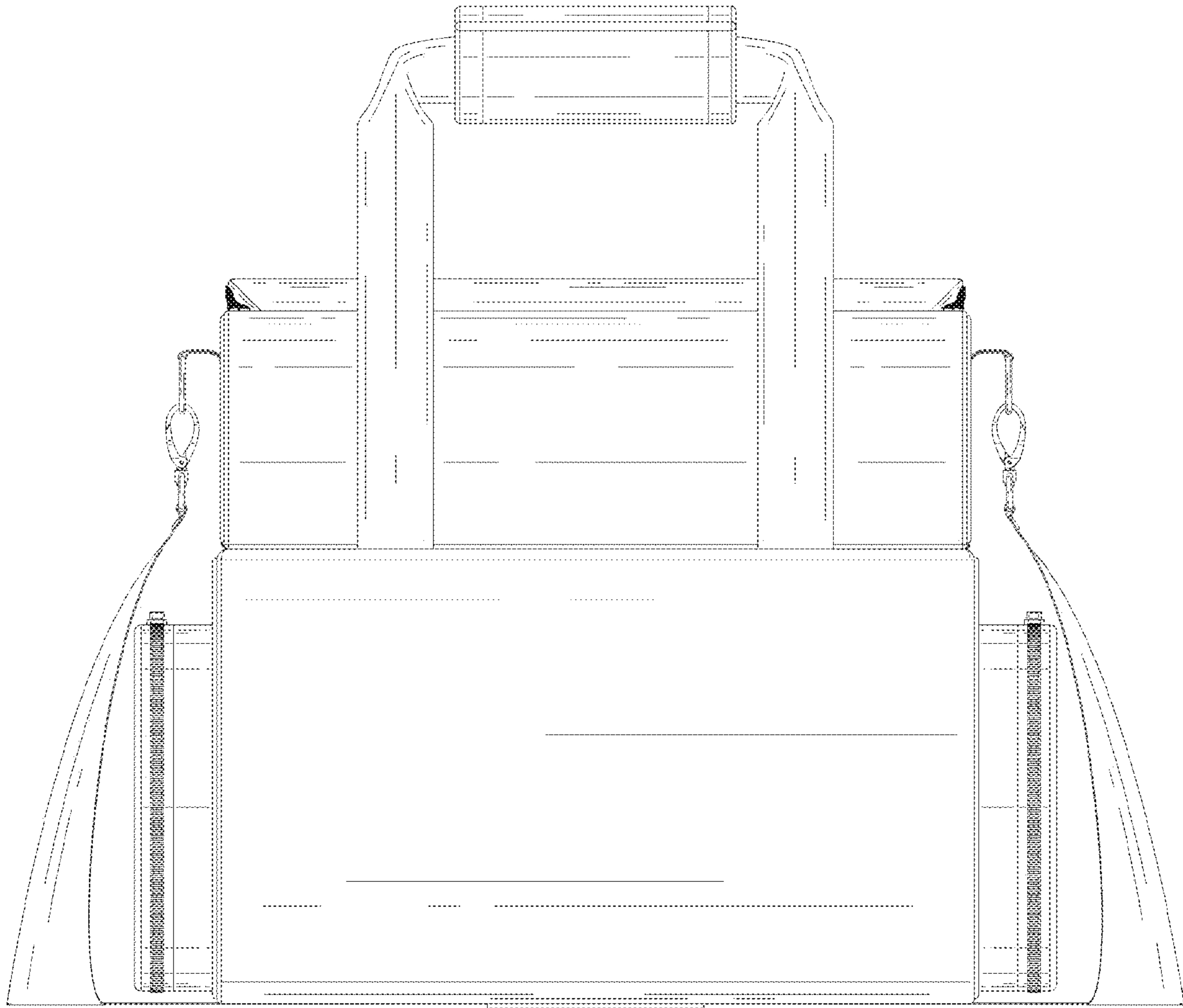


FIG. 5

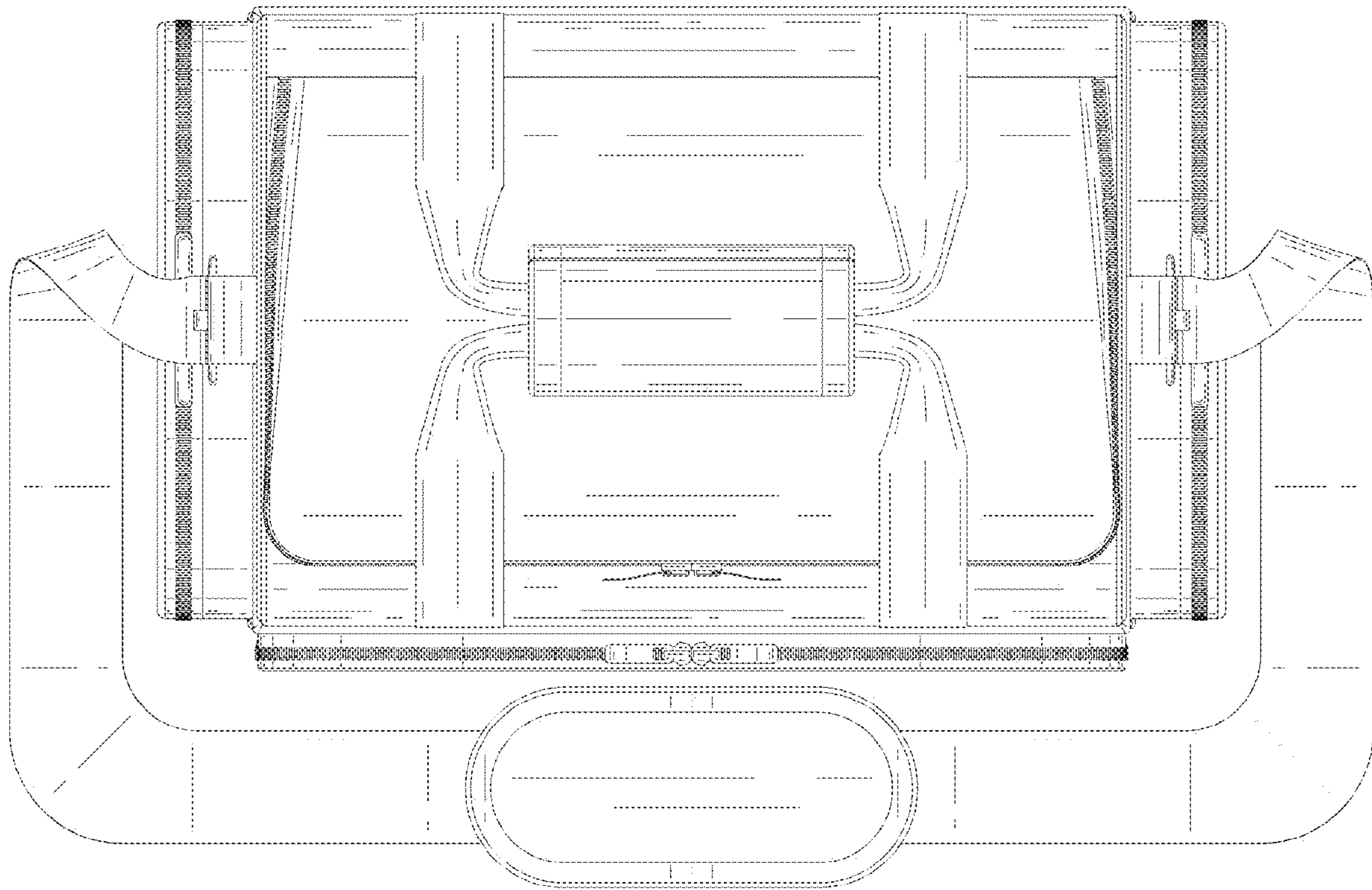


FIG. 6

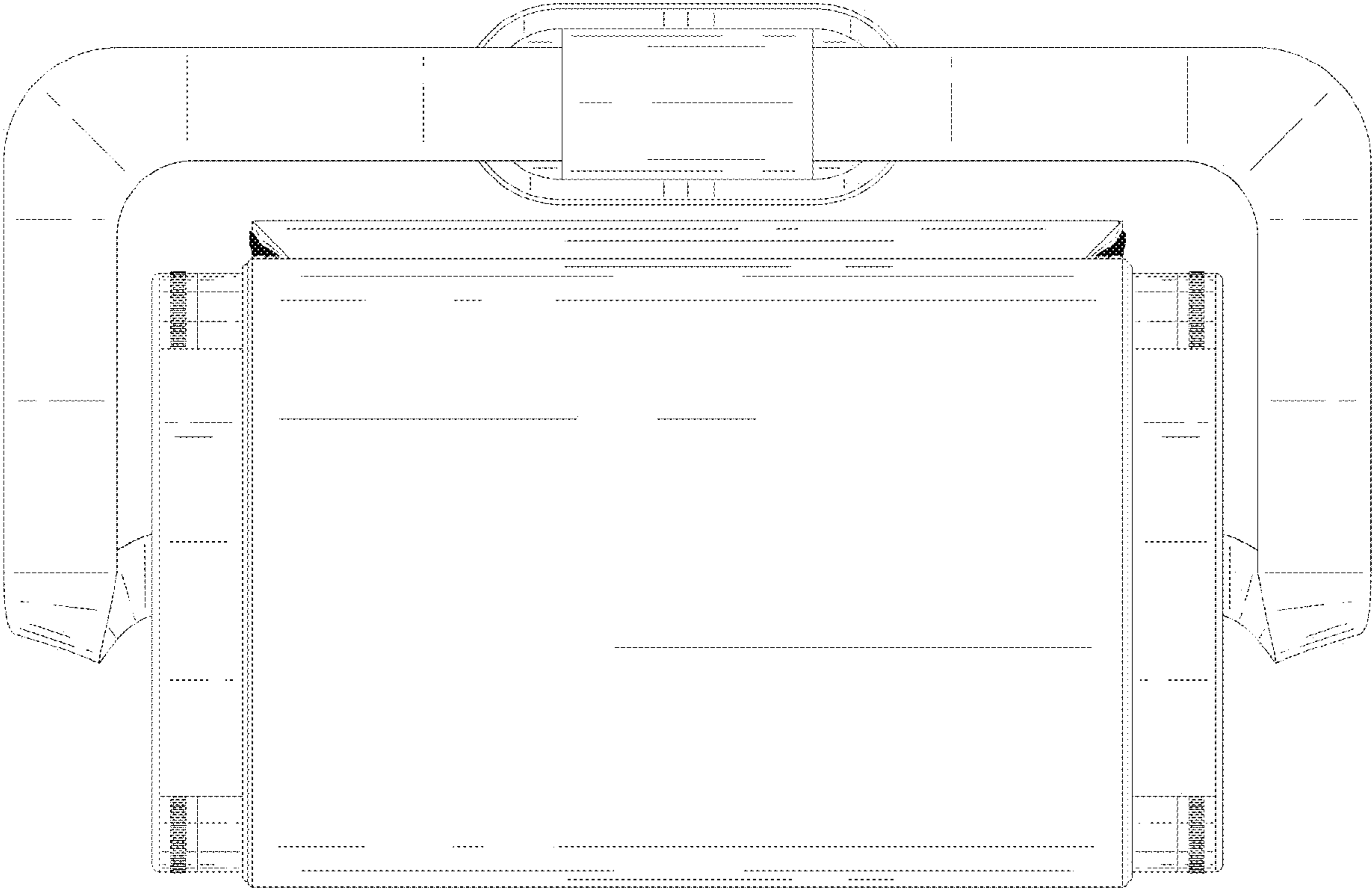


FIG. 7

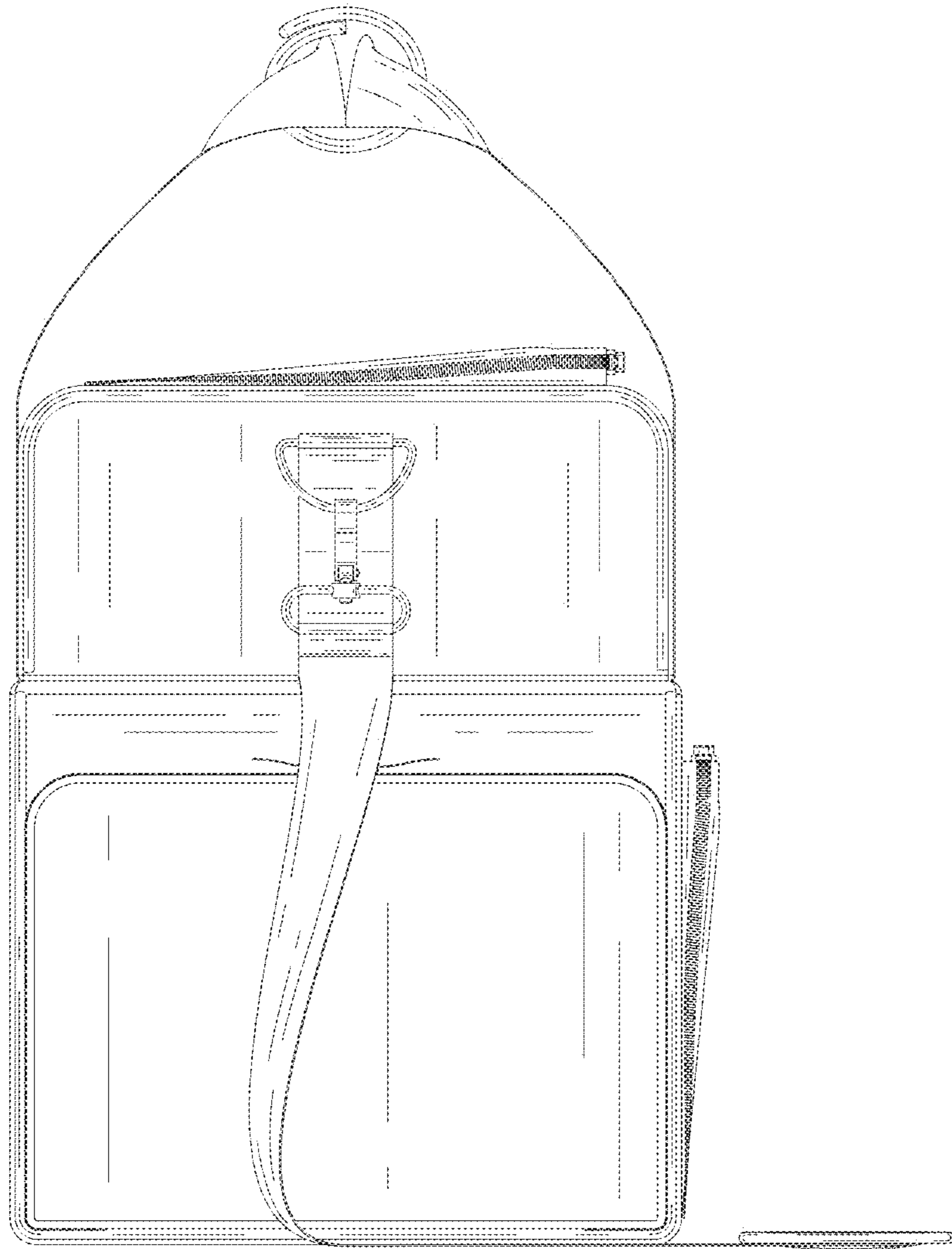


FIG. 8

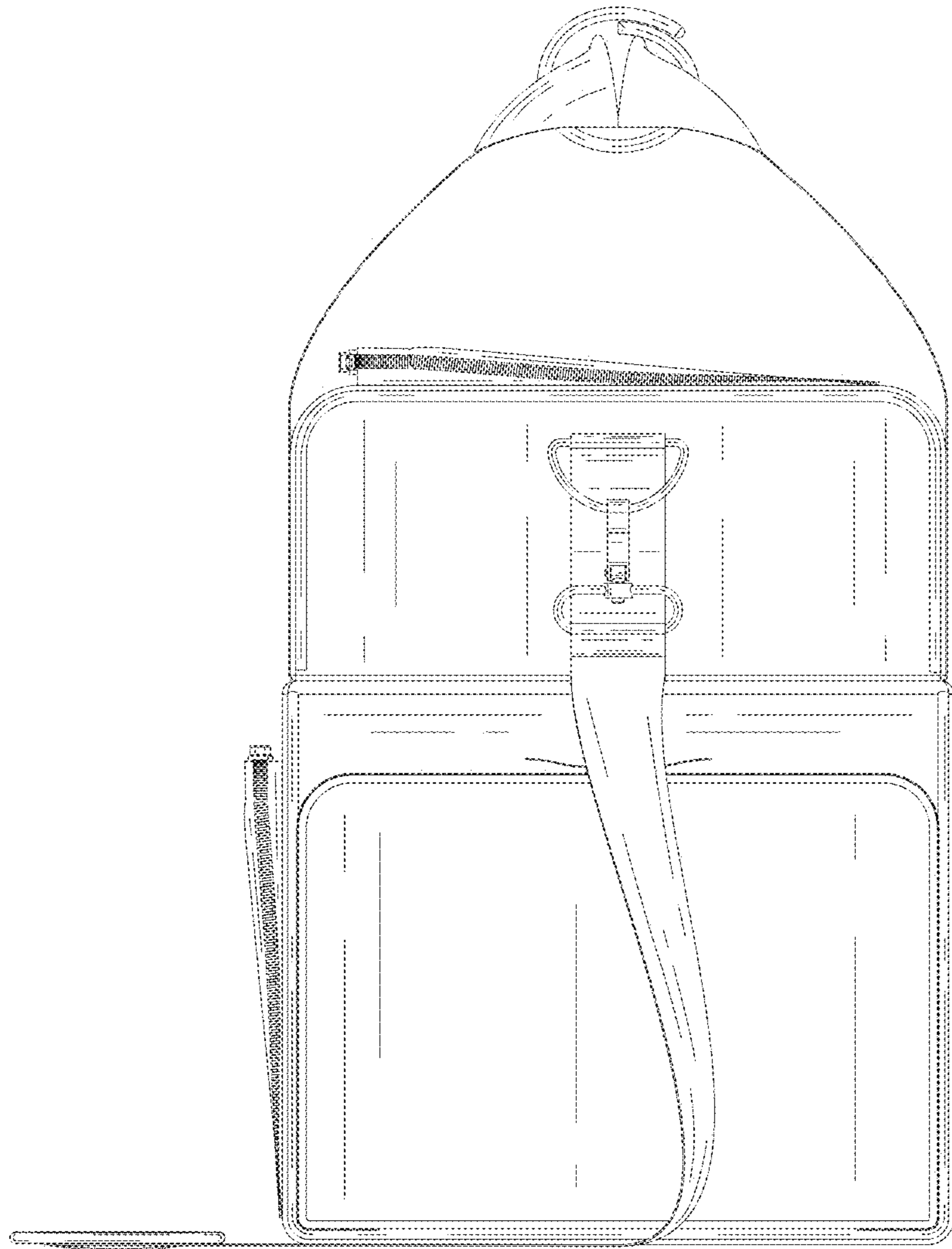


FIG. 9

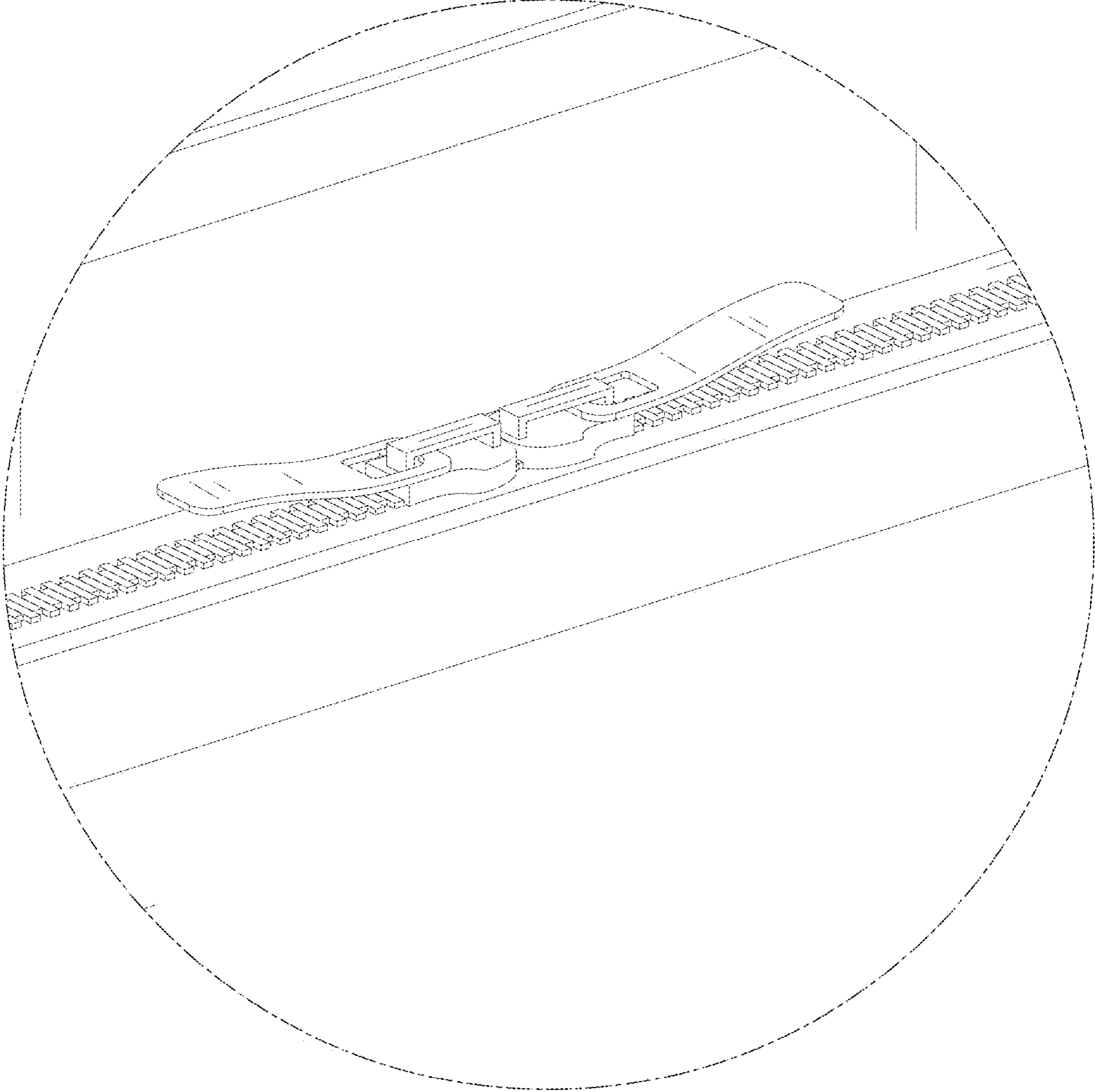


FIG. 10